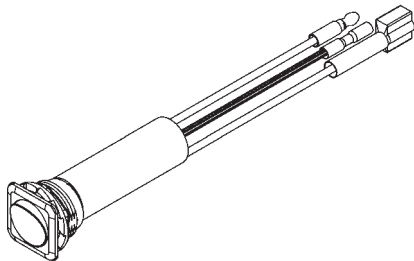


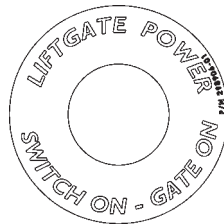
INSTRUCTIONS, UNIVERSAL CAB SWITCH KIT KIT, P/N 298905-01

⚠ WARNING

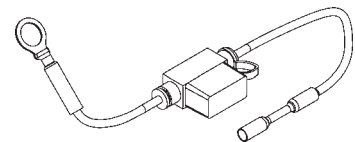
Installing and maintaining a liftgate can expose you to chemicals, including lead, which are known to the State of California to cause cancer and birth defects or other reproductive harm. To minimize exposure, install and maintain liftgate in a well-ventilated area and wear proper Personal protective equipment (PPE). For more information go to www.P65Warnings.ca.gov.



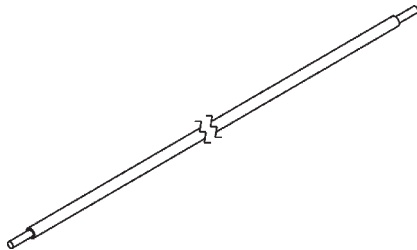
**ROCKER SWITCH &
WIRE ASSEMBLY**
P/N 210020-01
QTY. 1



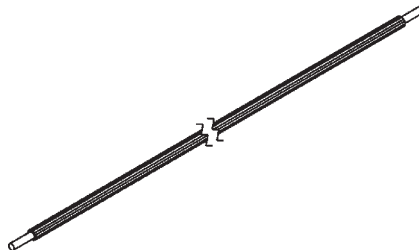
**ON/OFF
MOUNTING PLATE**
P/N 298906-01
QTY. 1



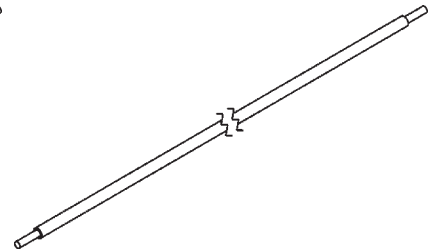
**10-AMP FUSE HOLDER,
3/8" RING**
P/N 285013-04
QTY. 1



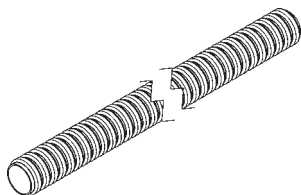
**RED WIRE,
14 AWG (20 FT LG)**
P/N 908293-01-240
QTY. 1



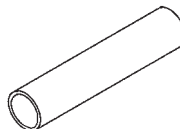
**RED & WHITE WIRE,
14 AWG (60 FT LG)**
P/N 908292-720
QTY. 1



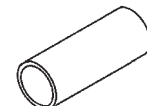
**BLACK WIRE,
18 AWG (20 FT LG)**
P/N 908294-240
QTY. 1



**PLASTIC SPLIT LOOM,
3/8" X 60' LG.**
P/N 030972-720
QTY. 1



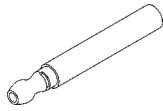
**RED HEAT SHRINK,
6 MM I.D. X 2-3/4" LG.**
P/N 093235-08
QTY. 2



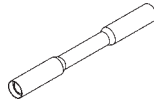
**BLACK HEAT SHRINK
.35" I.D. X 1-1/2" LG.**
P/N 093234-03
QTY. 2

Estas instrucciones están disponibles en español a partir de la página 30.

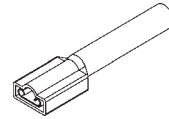
KIT P/N 298905-01



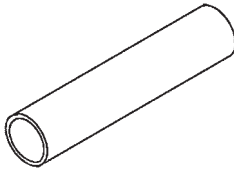
**MALE BULLET,
16 GA
P/N 263345-01
QTY. 2**



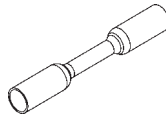
**FEMALE BULLET,
16 GA
P/N 263346-01
QTY. 2**



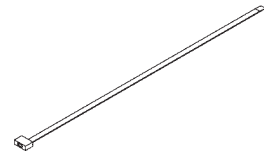
**QUICK DISCONNECT,
FEMALE, 18-22 AWG
P/N 263344-05
QTY. 1**



**HEAT SHRINK, ADHESIVE-
LINED, 2-3/4" LG.
P/N 268041-03
QTY. 1**



**BUTT CONNECTOR,
16 GA
P/N 263891
QTY. 1**



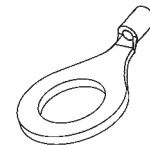
**PLASTIC TIE,
4" LG.
P/N 208153
QTY. 24**



**RING TERMINAL,
NON-INSUL,
22-18 GA. #10 RING
P/N 905310-01
QTY. 1**



**RING TERMINAL,
NON-INSUL,
22-18 GA. 1/4" RING
P/N 905310-03
QTY. 1**



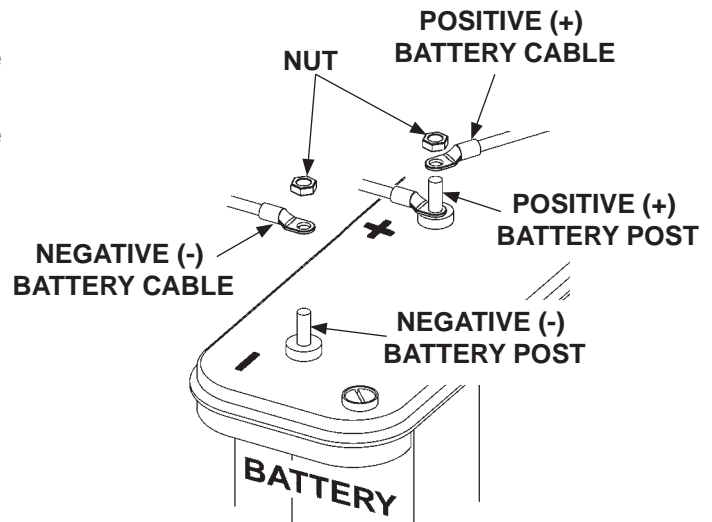
**RING TERMINAL,
NON-INSUL,
22-18 GA. 3/8" RING
P/N 905310-38
QTY. 1**

PREPARING FOR INSTALLATION

⚠ WARNING

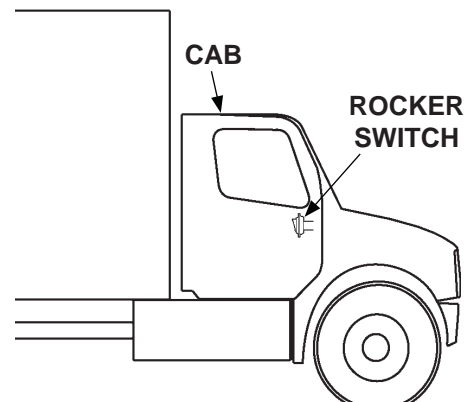
To prevent accidental personal injury and equipment damage, disconnect (-) battery cable and (+) cable from battery.

1. Disconnect power to the pump by disconnecting negative (-) and positive (+) cables from battery (**FIG. 3-1**). Re-install nuts on negative (-) and positive (+) battery terminals.



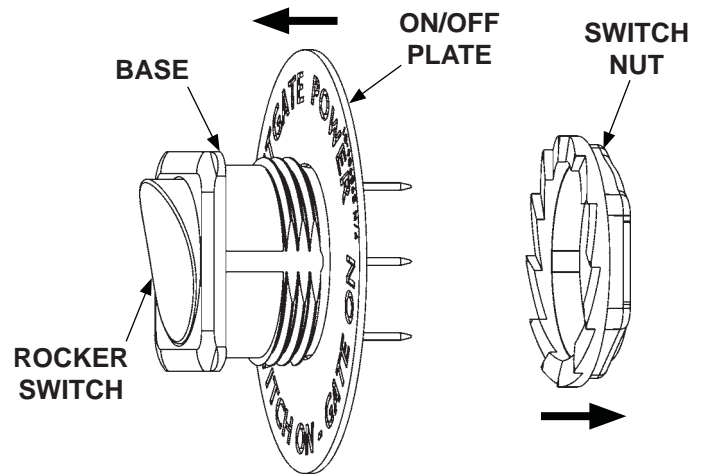
DISCONNECTING BATTERY POWER
FIG. 3-1

2. Locate accessible place for rocker switch (Kit item) on dash panel in vehicle cab (**FIG. 3-2**). Mark and drill 13/16" mounting hole in the dash panel for the switch.



ROCKER SWITCH IN VEHICLE CAB
FIG. 3-2

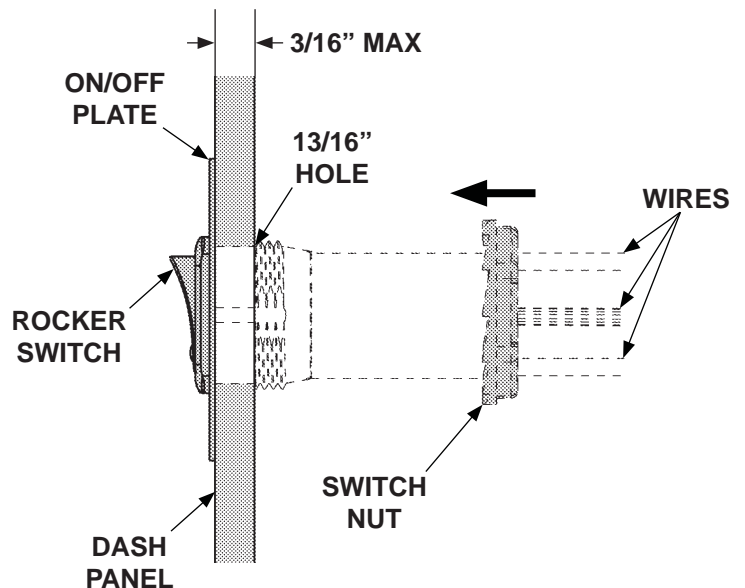
3. Unscrew nut from switch. Fit the on/off plate (Kit item) flush against the base of the switch (**FIG. 4-1**).



FITTING ON/OFF PLATE TO SWITCH
FIG. 4-1

NOTE: Ensure the dash panel is not thicker than 3/16".

4. In the cab, feed the rocker switch wires through the 13/16" mounting hole until switch and on/off plate are flush against the dash panel. Reinstall the nut to secure the switch and on/off plate to dash panel (**FIG. 4-2**).

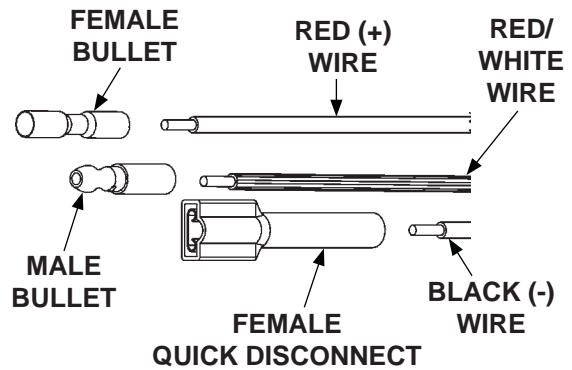


MOUNTING SWITCH TO DASH PANEL
FIG. 4-2

NOTE: The **RED (+)** wire (P/N 908293-01-240), **RED/WHITE** wire (P/N 908292-720), and **BLACK (-)** wire (P/N 908294-240) serve as wiring extensions to be routed along the vehicle frame. Make sure the **RED (+)** wire is long enough to reach truck battery (+) terminal without putting strain on the wire. Make sure the **RED/WHITE** wire is long enough to reach Liftgate pump box without putting strain on the wire. Make sure the **BLACK (-)** wire is long enough to reach truck battery (-) terminal or dedicated vehicle frame ground without putting strain on the wire. Maintain enough slack on both wire ends to prevent strain on the connections.

NOTE: The **RED/WHITE** wire connection, for the GPSLRT installation kit, remains disconnected until wire is run from pump box on liftgate to cab switch in the vehicle. See kit installation instructions for GPSLRT.

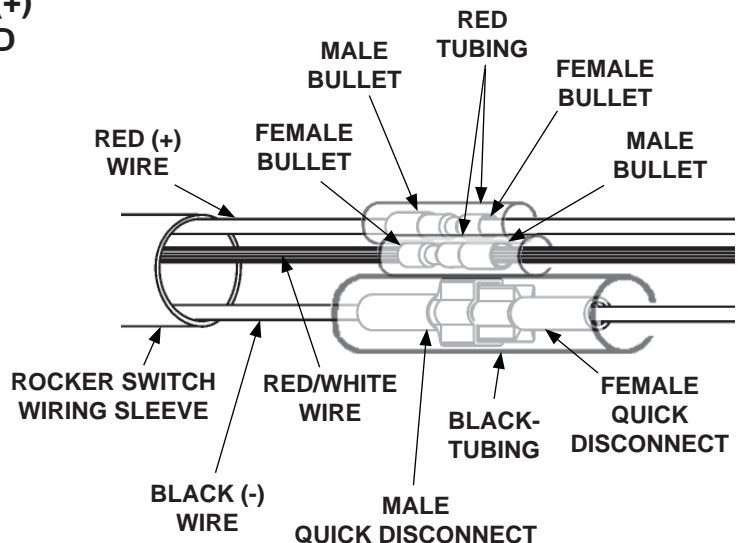
5. Crimp the female bullet (Kit item) on the end of the **RED (+)** wire extension. Next, crimp the male bullet (Kit item) on the end of the **RED/WHITE** wire extension. Then, crimp the female quick disconnect (Kit item) on the end of the **BLACK (-)** wire extension (FIGS. 5-1 and 6-1).



INSTALLING BULLETS & FEMALE DISCONNECT
FIG. 5-1

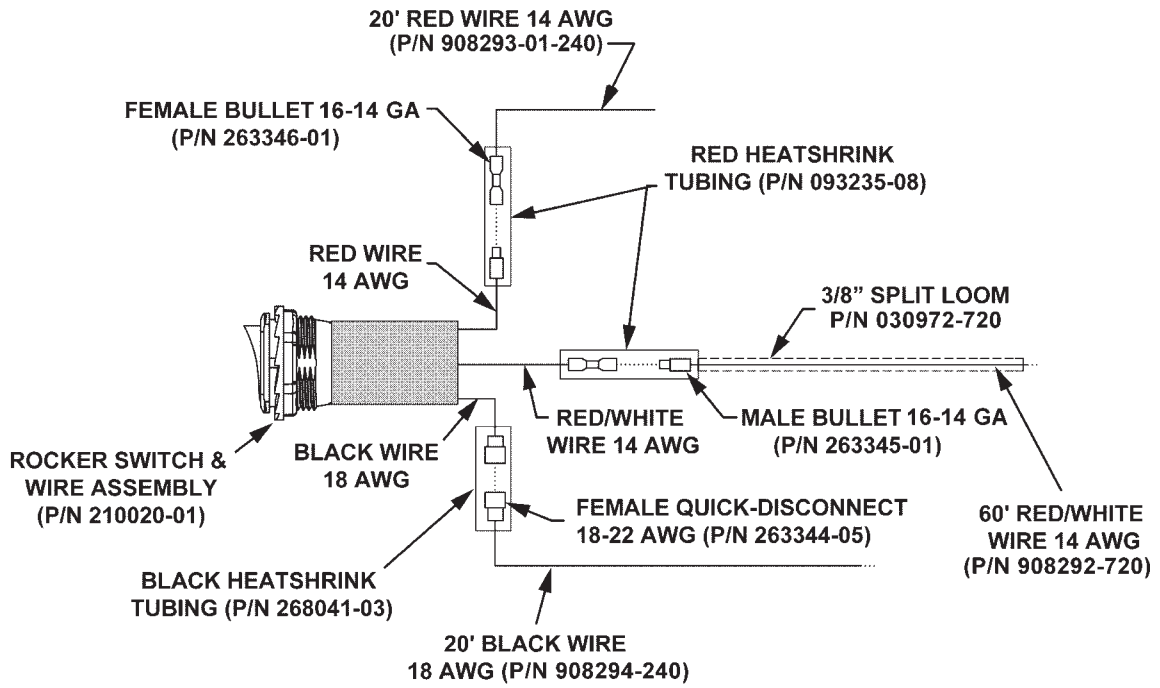
6. Place one piece of red heatshrink tubing (Kit item, P/N 093235-08) on the short **RED** wire and short **RED/WHITE** wire (FIGS. 5-2 and 6-1). Next, place the black heatshrink tubing (Kit item, P/N 268041-03) on the short black wire.

7. Connect the male bullet of the **RED (+)** wire with the female bullet of the **RED (+)** wire extension. Next, connect the female bullet of the **RED/WHITE** wire with the male bullet of the **RED/WHITE** wire extension. Then, connect the male quick disconnect of the **BLACK (-)** wire with the female quick disconnect of the **BLACK (-)** wire extension (FIGS. 5-2 and 6-1).

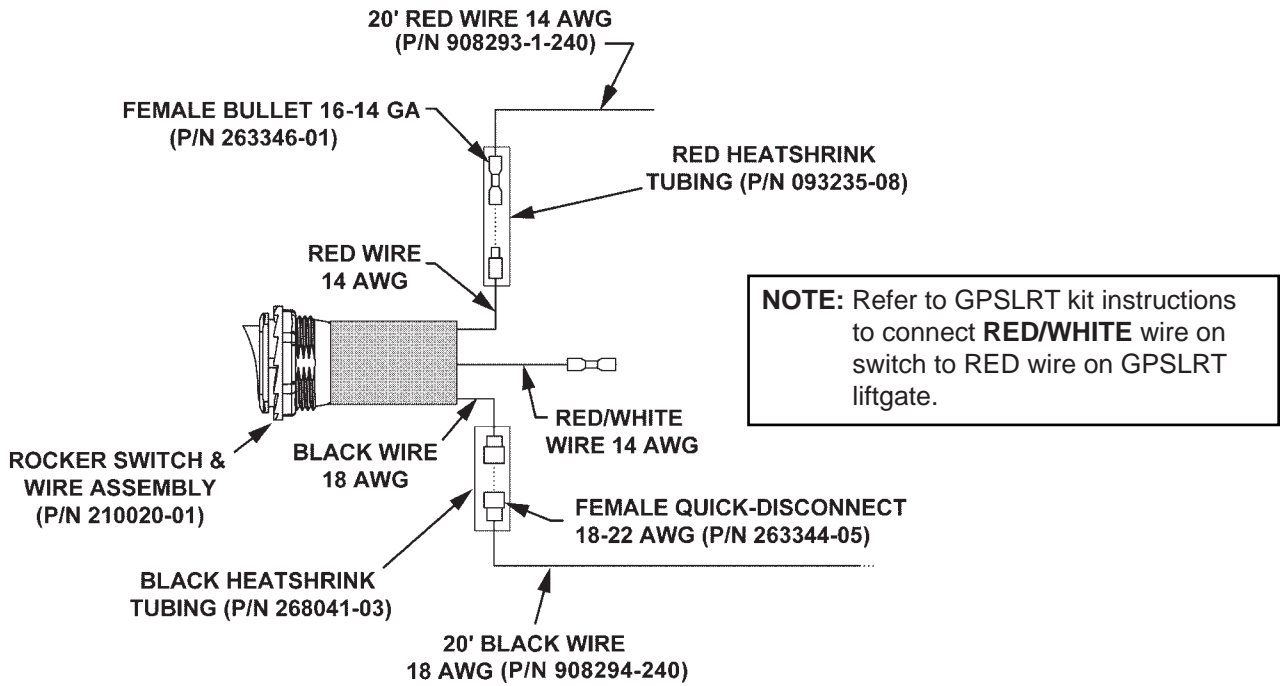


CONNECTING WIRES
FIG. 5-2

8. Center heatshrink tubing over mated connectors on the **RED** wire, **RED/WHITE** wire, and **BLACK** wire (FIGS. 5-2 and 6-1). Heat the tubing enough to shrink the tubing and seal each connection.



SWITCH AND EXTENSION WIRING PREPARATION DIAGRAM FOR GPLRT & TUK-A-WAY LIFTGATES
FIG. 6-1



SWITCH AND EXTENSION WIRING PREPARATION DIAGRAM FOR NEW GPLRT
FIG. 6-2

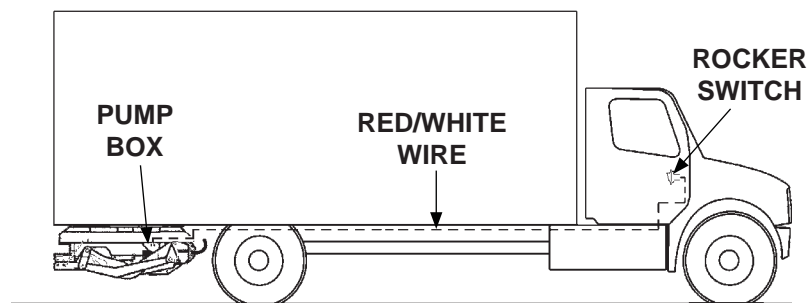
GPSLRT KIT INSTALLATION

CAUTION

Never route an energized wire. Make sure the vehicle battery is disconnected. Always route electrical wires clear of moving parts, brake lines, sharp edges, and exhaust systems. Avoid making sharp bends in wiring. Attach securely. If drilling is necessary, first check behind the drilling surface to prevent damage to any fuel lines, vent lines, brake lines, or wires.

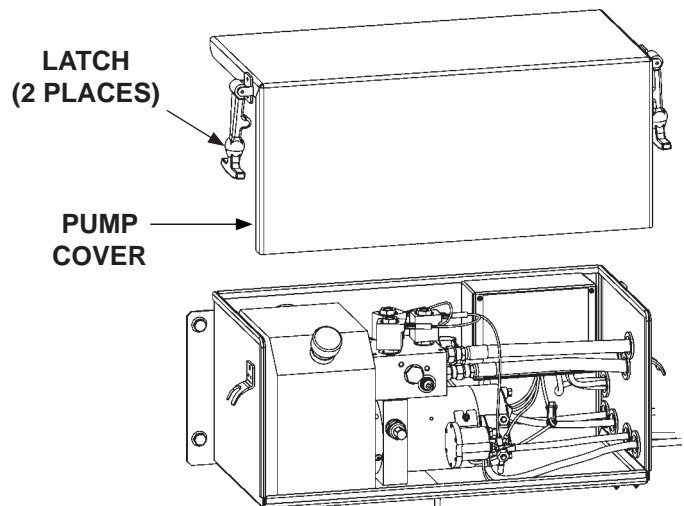
NOTE: Use plastic loom and ties (Kit items) to secure wire extensions and protect wire along the wire route.

1. Run the **RED/WHITE** wire extension along the trailer chassis from the rocker switch to pump box on liftgate (**FIG. 7-1**).



RUNNING RED & WHITE WIRE TO PUMP (GPSLRT)
FIG. 7-1

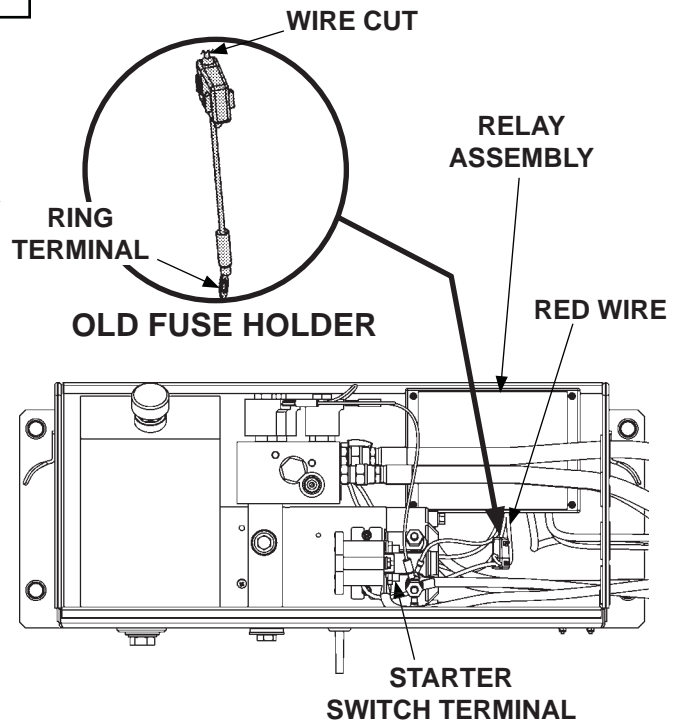
2. Remove pump cover as shown in **FIG. 7-2**.



REMOVING PUMP COVER
FIG. 7-2

NOTE: Discard old fuseholder removed from pump assembly.

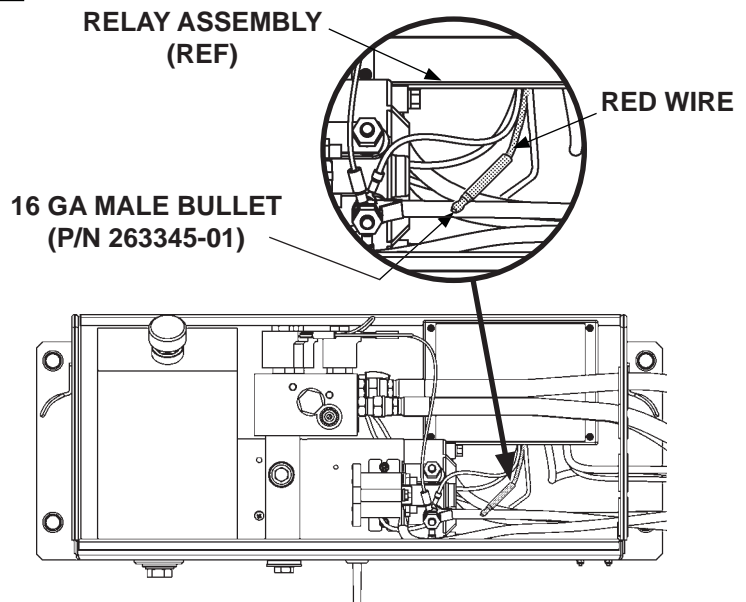
3. Remove hex nut from starter switch terminal where inline fuse holder is connected (**FIG. 8-1**). Next, cut the **RED** wire to relay assembly against the fuse holder (**FIG. 8-2**). Then, reinstall hex nut on starter switch terminal. Torque hex nut to **30-35 lb-in** maximum.



**REMOVING FUSE HOLDER
FIG. 8-1**

NOTE: Refer to cab switch wiring diagram on **FIG. 10-1**.

4. Strip insulation from the **RED** wire to install male bullet terminal (Kit item). Then, crimp the male bullet on the wire (**FIG. 8-2**).

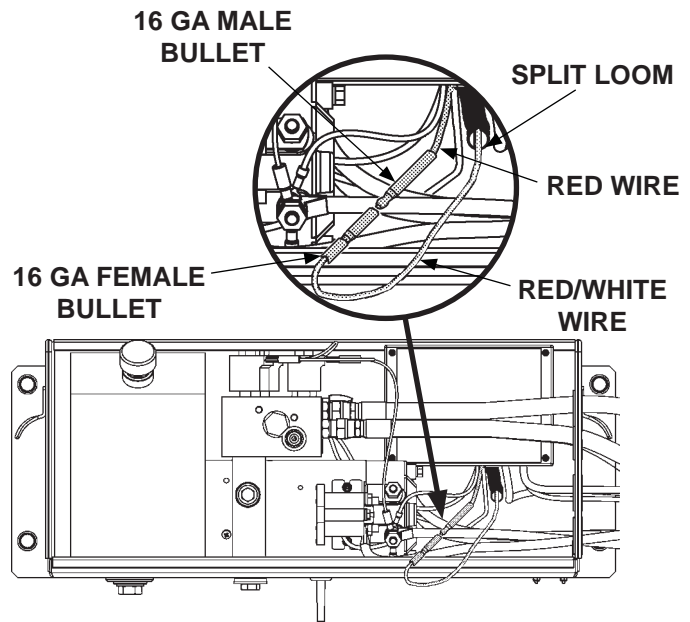


**INSTALLING MALE BULLET
FIG. 8-2**

5. Route the **RED/WHITE** wire extension and split loom (from cab switch) through the grommet on rear wall of pump box (**FIG. 9-1**). Next, cut off enough split loom to get access to the wire. Then cut the **RED/WHITE** wire to a length that prevents strain on wiring connections.

6. Strip insulation from the **RED/WHITE** wire to install female bullet terminal (Kit item). Then, crimp the female bullet on the wire (**FIG. 9-1**).

7. Connect the female bullet on **RED/WHITE** wire to male bullet on the **RED** wire (**FIG. 9-1**). Use plastic tie (Kit item) to secure split loom (**RED/WHITE** wire) to wiring harness in the pump assembly.

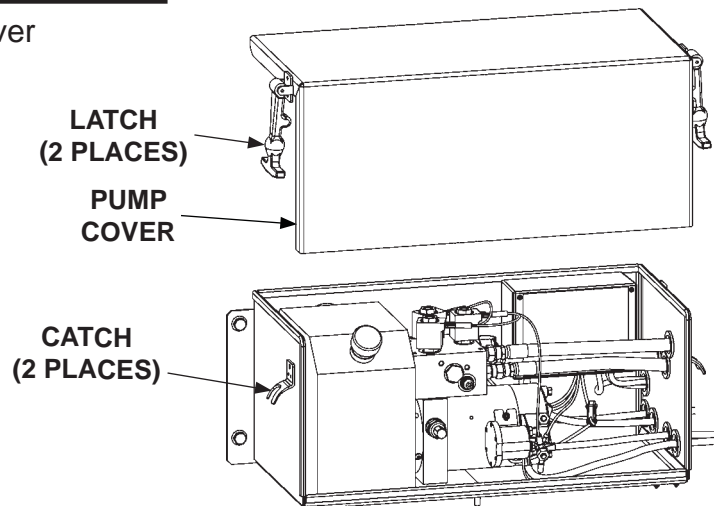


**INSTALLING FEMALE BULLET
& CONNECTING WIRES
FIG. 9-1**

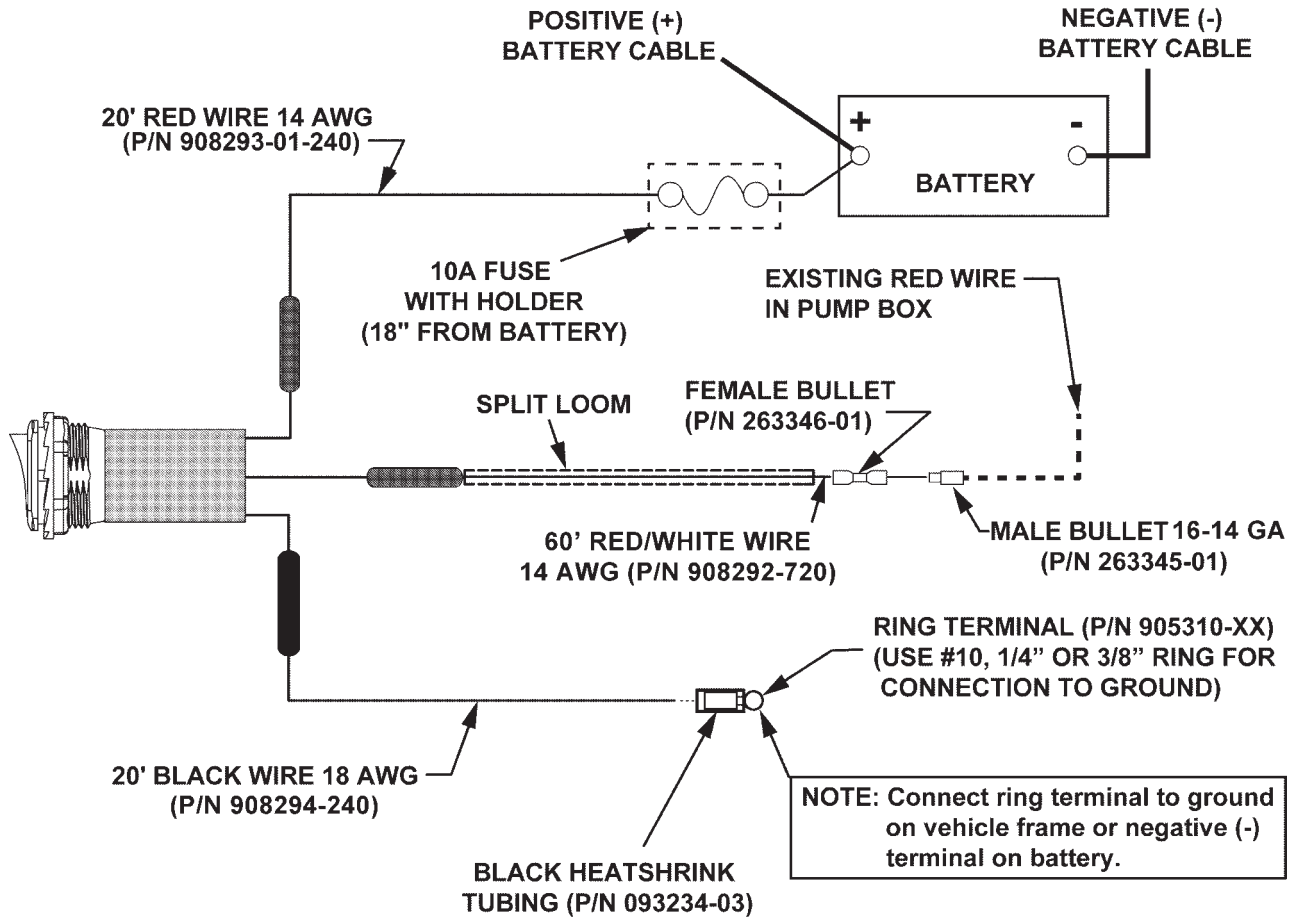
CAUTION

Pump cover must be correctly secured to prevent it from becoming a hazard.

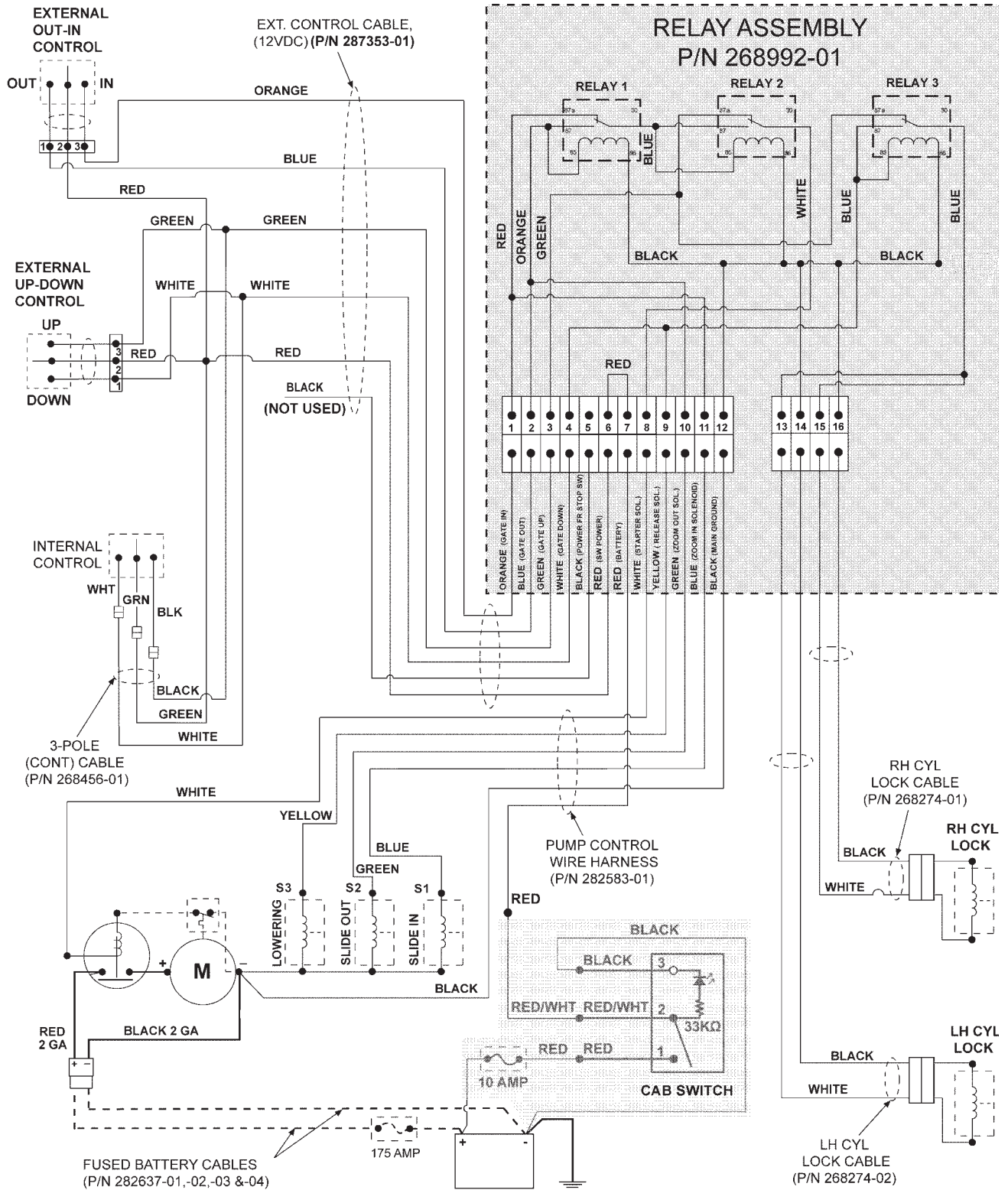
8. Reinstall and latch the pump cover as shown in **FIG. 9-2**.



**REINSTALLING PUMP COVER
FIG. 9-2**



**CAB SWITCH WIRING DIAGRAM FOR GPLSRT
FIG. 10-1**



GPLRT & CAB SWITCH ELECTRICAL SCHEMATIC
FIG. 11-1

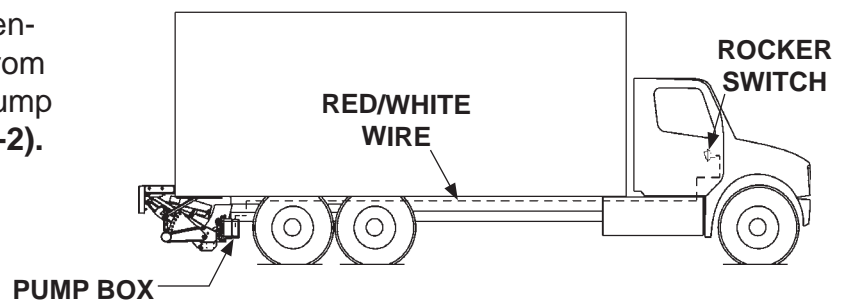
TUK-A-WAY KIT INSTALLATION

CAUTION

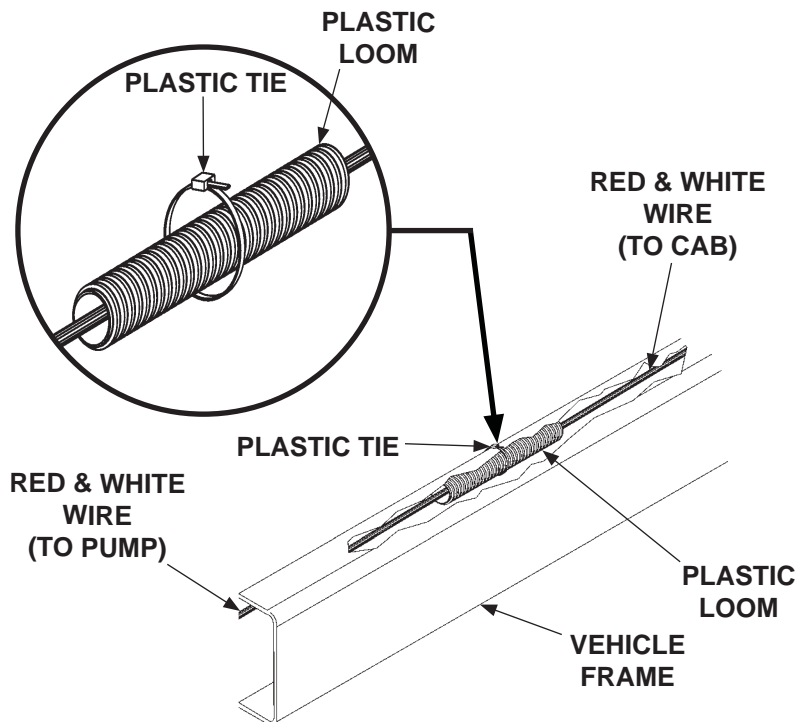
Never route an energized wire. Make sure the vehicle battery is disconnected. Always route electrical wires clear of moving parts, brake lines, sharp edges, and exhaust systems. Avoid making sharp bends in wiring. Attach securely. If drilling is necessary, first check behind the drilling surface to prevent damage to any fuel lines, vent lines, brake lines, or wires.

NOTE: Use plastic loom and ties (Kit items) to secure wire extensions and protect wire along the wire route.

1. Run the **RED/WHITE** wire extension along the vehicle frame from the rocker switch to Liftgate pump assembly (**FIGS. 12-1 and 12-2**).

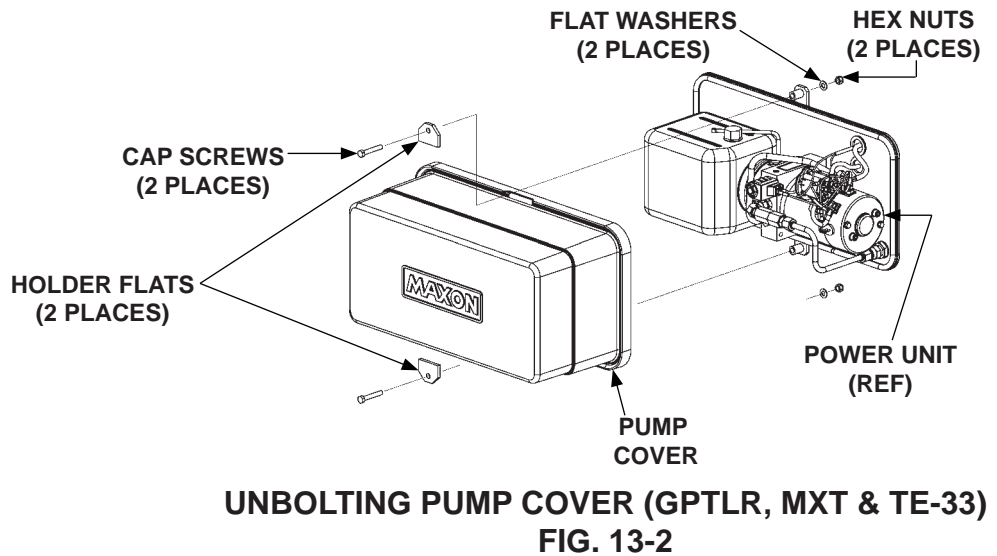
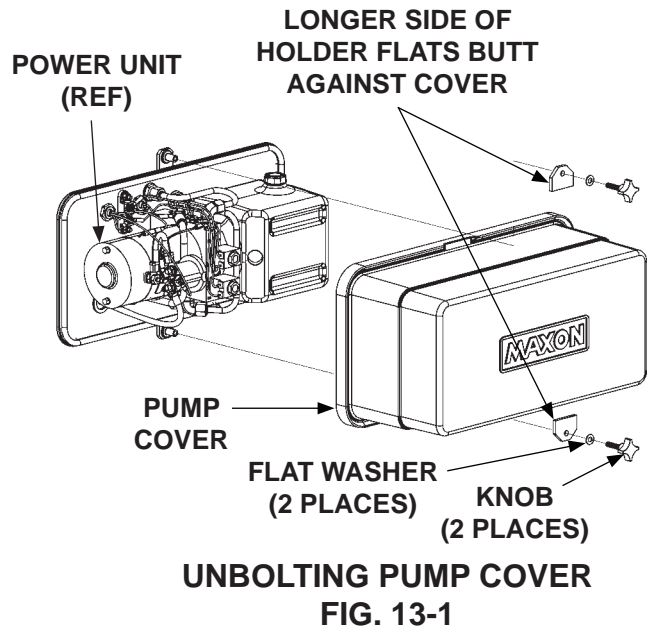


ROUTING RED & WHITE WIRE TO PUMP
FIG. 12-1



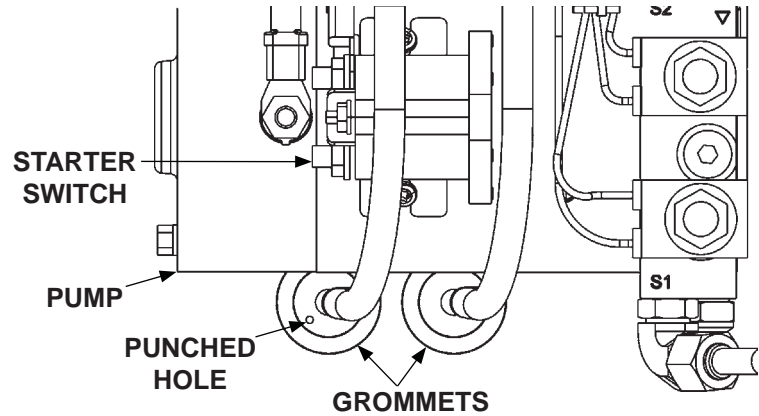
FASTENING RED & WHITE WIRE TO VEHICLE FRAME
FIG. 12-2

2. Unbolt pump cover as shown in FIGS. 13-1 and 13-2.



NOTE: If there is sufficient space for the **RED/WHITE** wire extension to enter the pump box through one of the pump box grommets, skip **Step 3**.

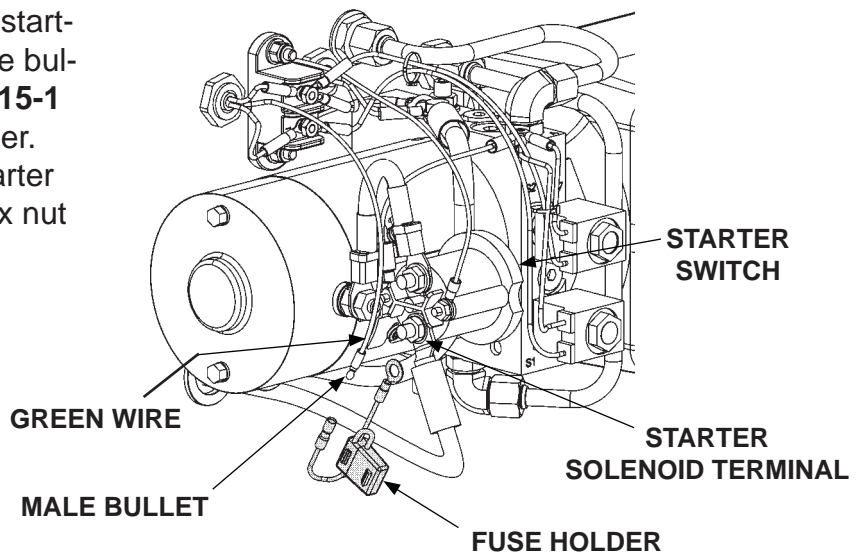
3. Punch a hole through one of the grommets on the pump mounting plate to run the **RED/WHITE** wire extension into the pump box (**FIG. 14-1**).



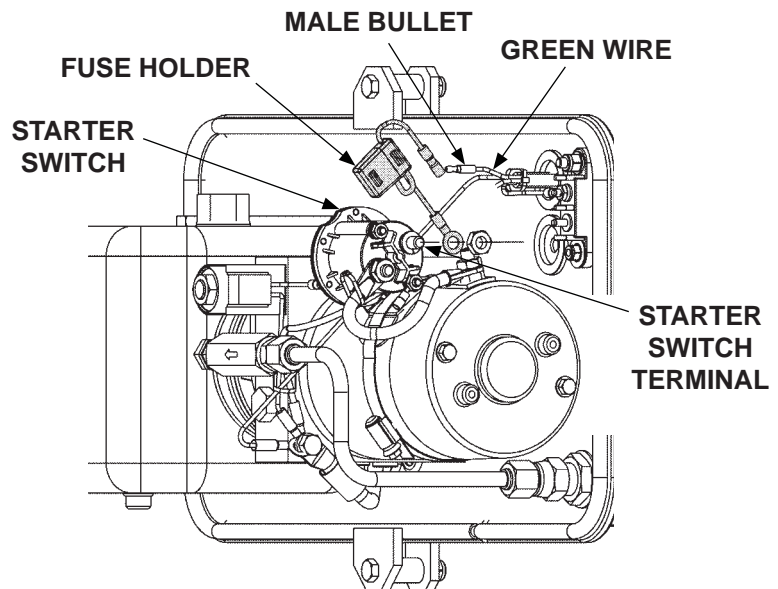
PUNCHING HOLE FOR WIRE
FIG. 14-1

NOTE: Some pump assemblies are equipped with a MAX ECU arc-suppression module. **Step 5** has instructions for disconnecting fuse holder from the MAX ECU module.

4. Disconnect fuse holder from starter solenoid terminal and male bullet on the green wire (**FIGS. 15-1 and 15-2**). Discard fuse holder. Then, reinstall hex nut on starter solenoid terminal. Torque hex nut to **30-35 lb-in** maximum.

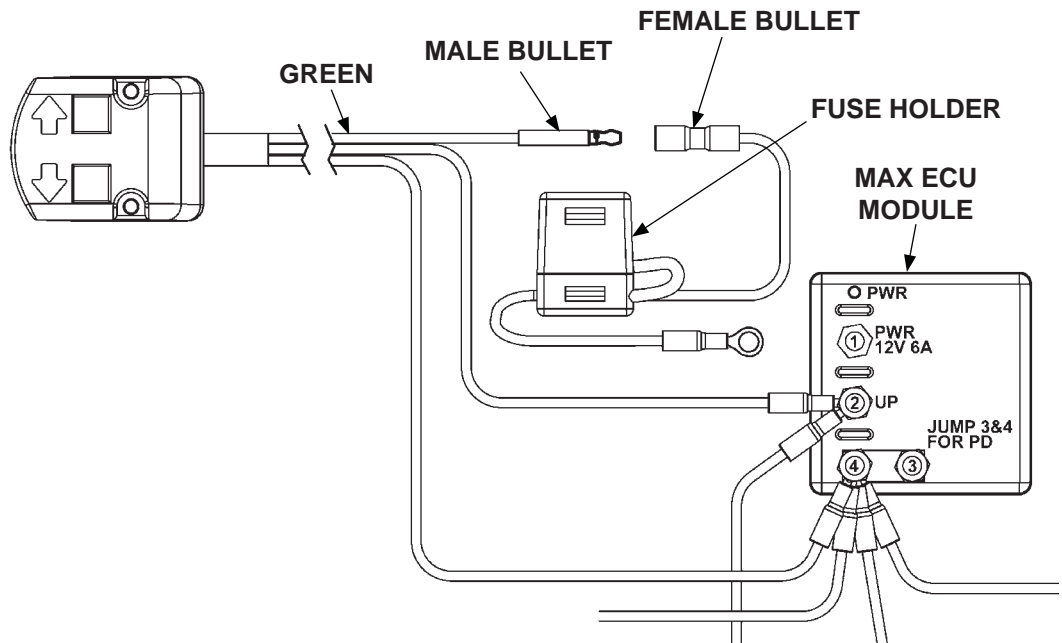


REMOVING FUSE HOLDER (GPT)
FIG. 15-1



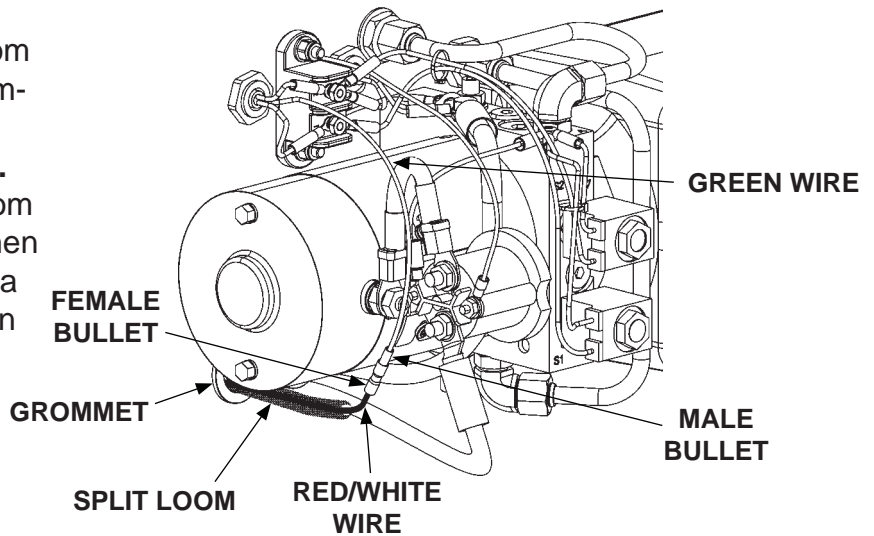
REMOVING FUSE HOLDER
(GPTLR, MXT & TE-33)
FIG. 15-2

5. Disconnect fuse holder from terminal 1 on the ECU module and the male bullet on the **GREEN** wire from control switch (**FIG. 16-1**). Discard fuse holder. Then, reinstall hex nut on terminal 1 of the ECU module. Torque hex nut to **15 lb-in** maximum.



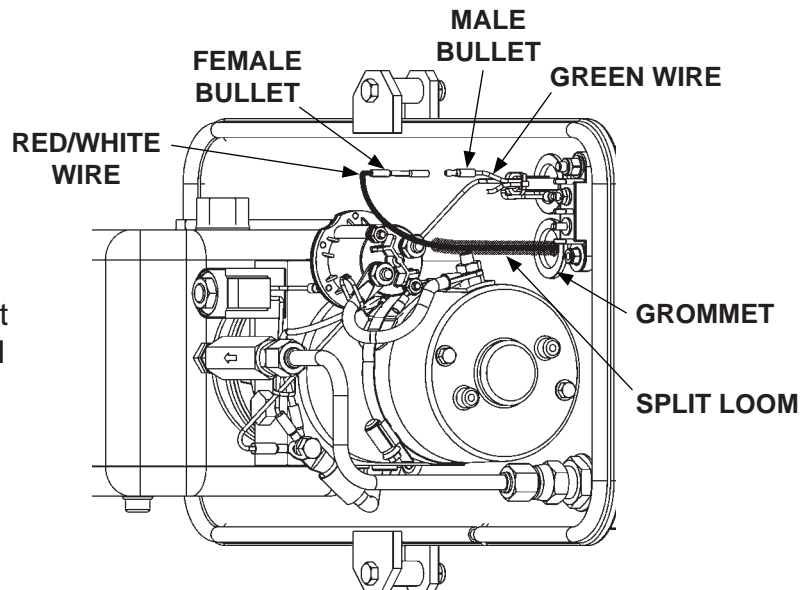
**REMOVING FUSE HOLDER FROM TUK-A-WAY
LIFTGATES EQUIPPED WITH MAX ECU MODULE
FIG. 16-1**

6. Route the **RED/WHITE** wire extension and split loom (from cab switch) through the grommet on the pump mounting plate (**FIGS. 17-1 and 17-2**). Next, cut off enough split loom to get access to the wire. Then cut the **RED/WHITE** wire to a length that prevents strain on wiring connections.



**CONNECTING RED/WHITE WIRE
WITH GREEN WIRE (GPT)
FIG. 17-1**

7. Strip insulation from the **RED/WHITE** wire to install female bullet terminal (Kit item). Then, crimp the female bullet on the wire (**FIGS. 17-1 and 17-2**).



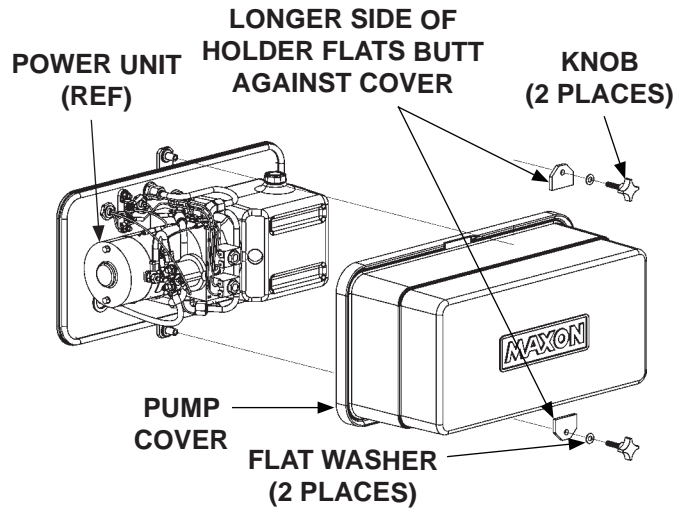
8. Connect the female bullet on **RED/WHITE** wire to male bullet on the **GREEN** wire (**FIGS. 17-1 and 17-2**).

**CONNECTING RED/WHITE WIRE WITH GREEN WIRE
(GPTLR, MXT & TE-33)
FIG. 17-2**

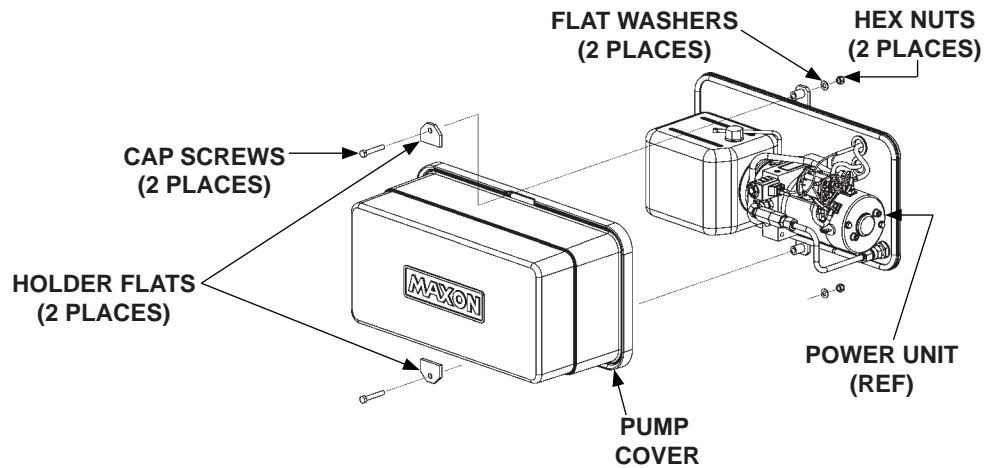
CAUTION

Pump cover must be correctly secured to prevent it from becoming a hazard. To secure pump cover, the long side of the holder flats must butt against pump cover as shown in the illustration.

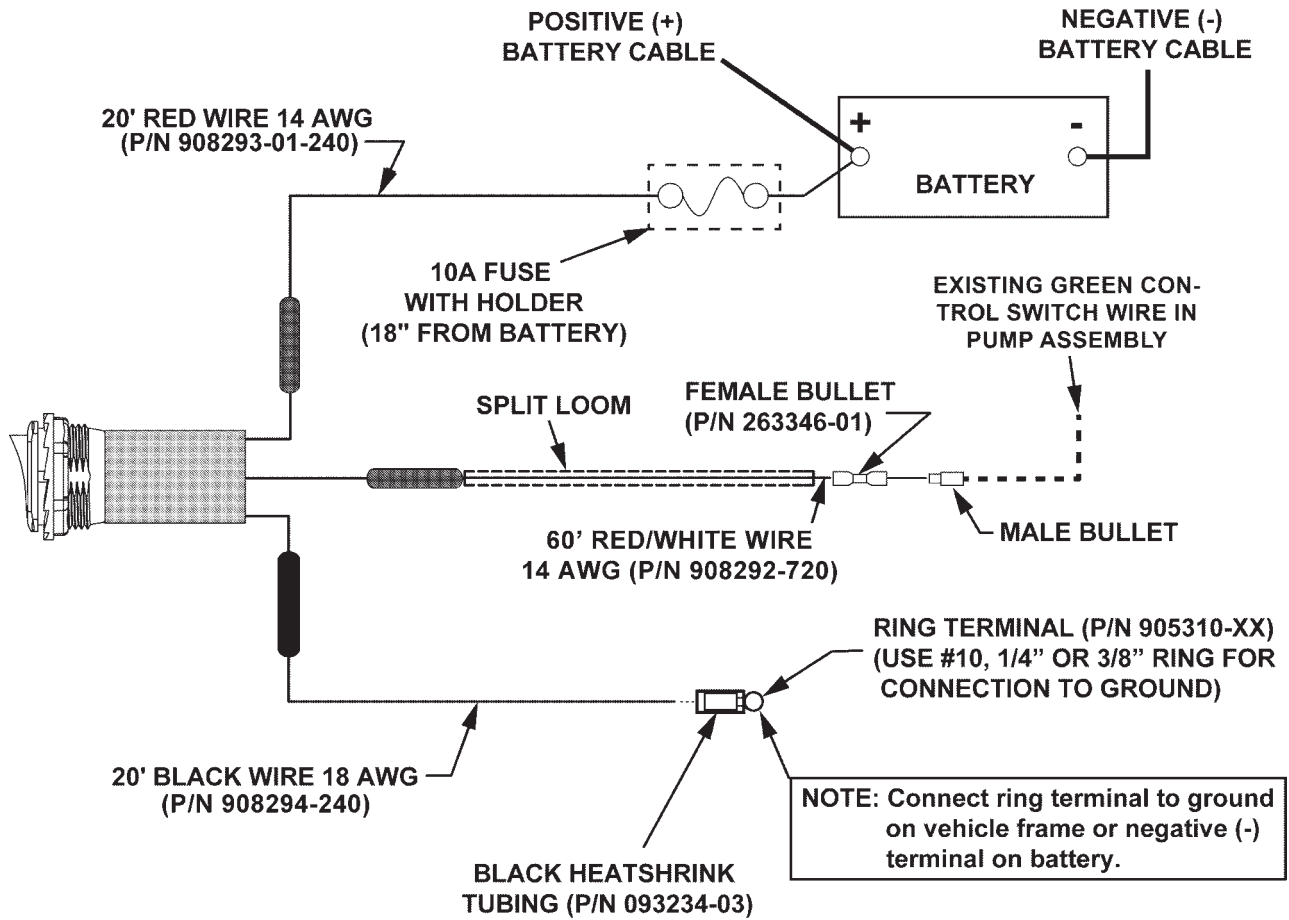
9. Bolt on the pump cover as shown in **FIGS. 18-1 and 18-2**. For GPT pump covers, hand tighten the threaded cover knobs (**FIG. 18-1**). For GPTLR, MXT, and TE-33 pump covers, torque the cover bolts from **10-14 lb-ft (FIG. 18-2)**.



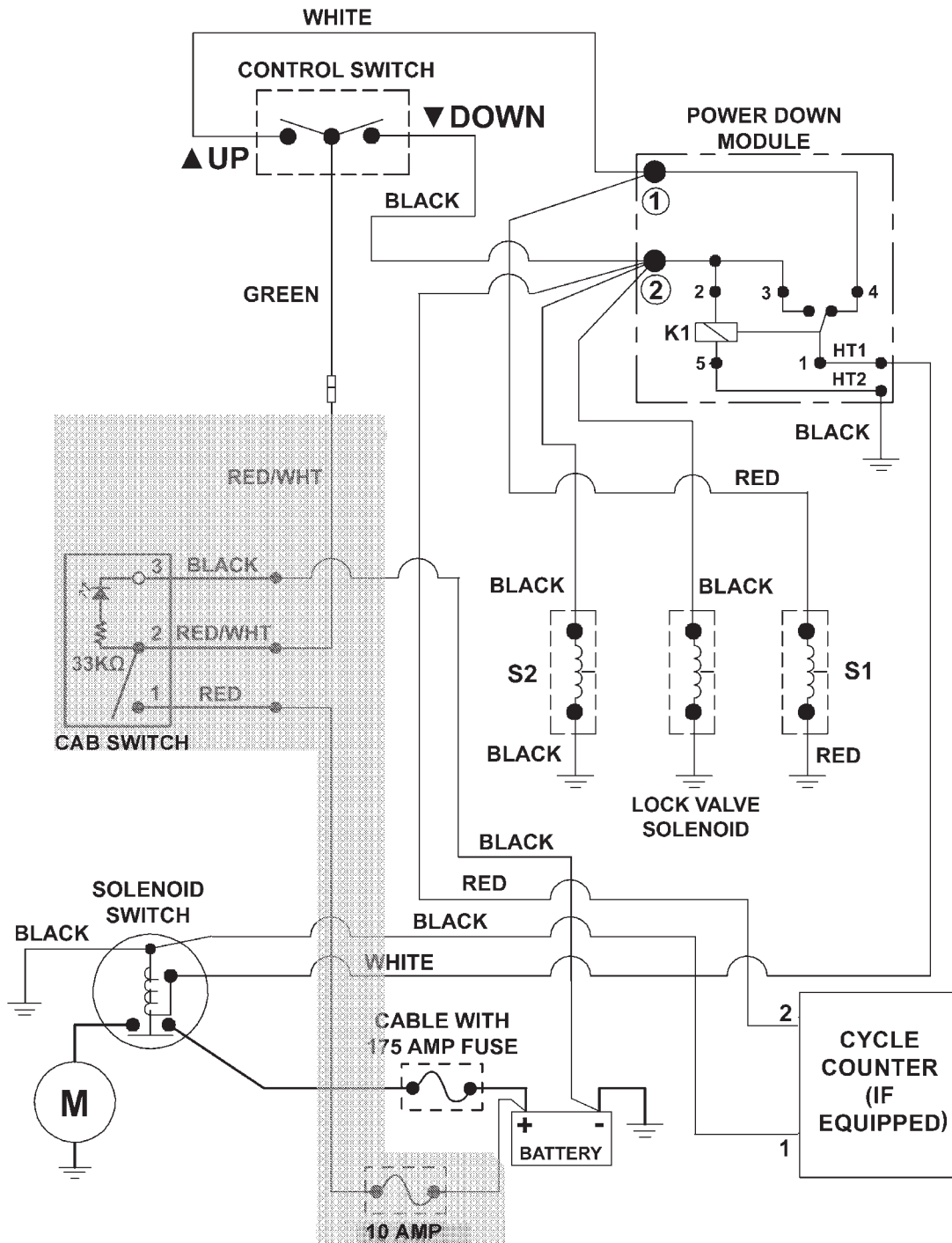
BOLTING ON PUMP COVER (GPT)
FIG. 18-1



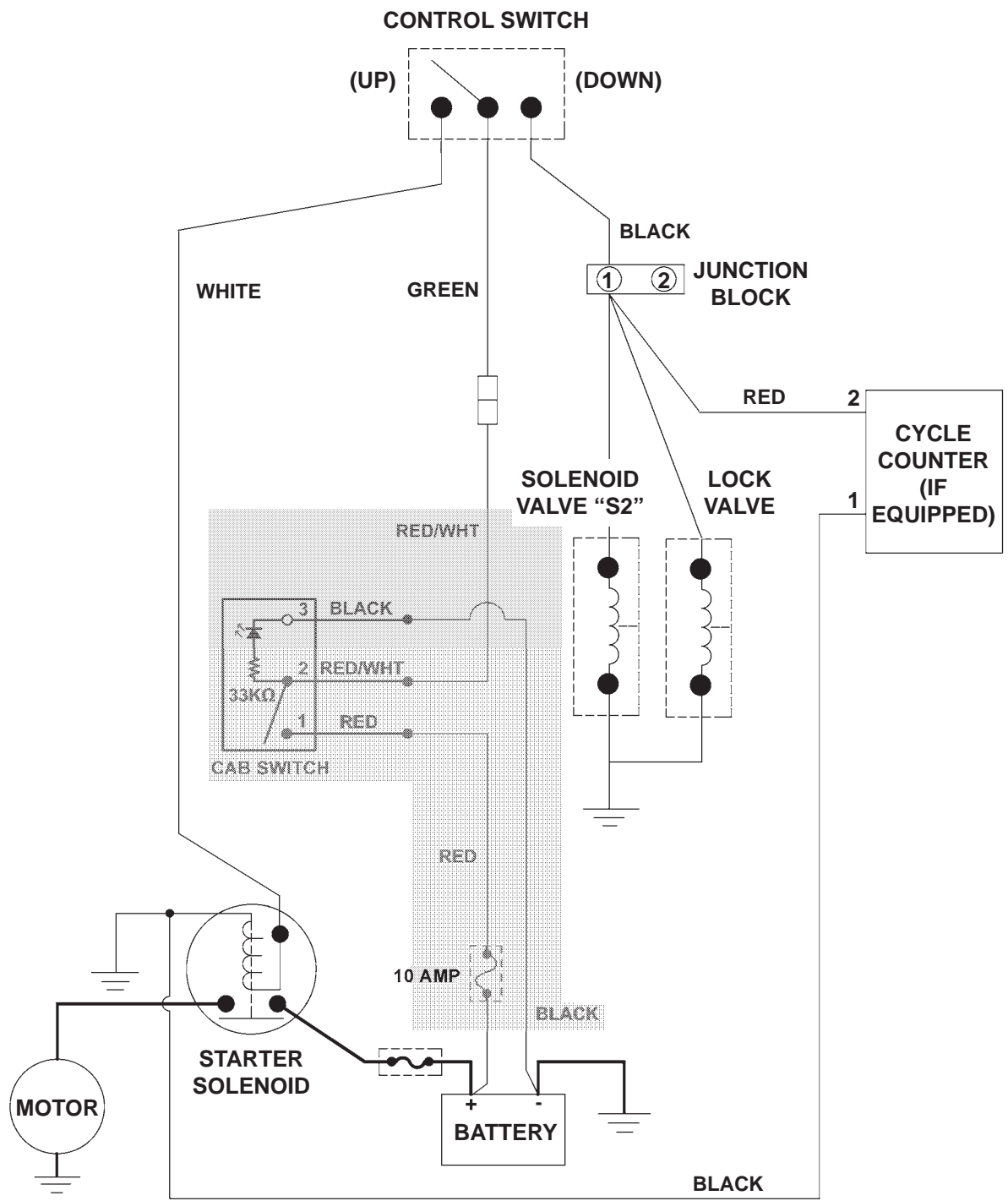
BOLTING ON PUMP COVER
(GPTLR, MXT & TE-33)
FIG. 18-2



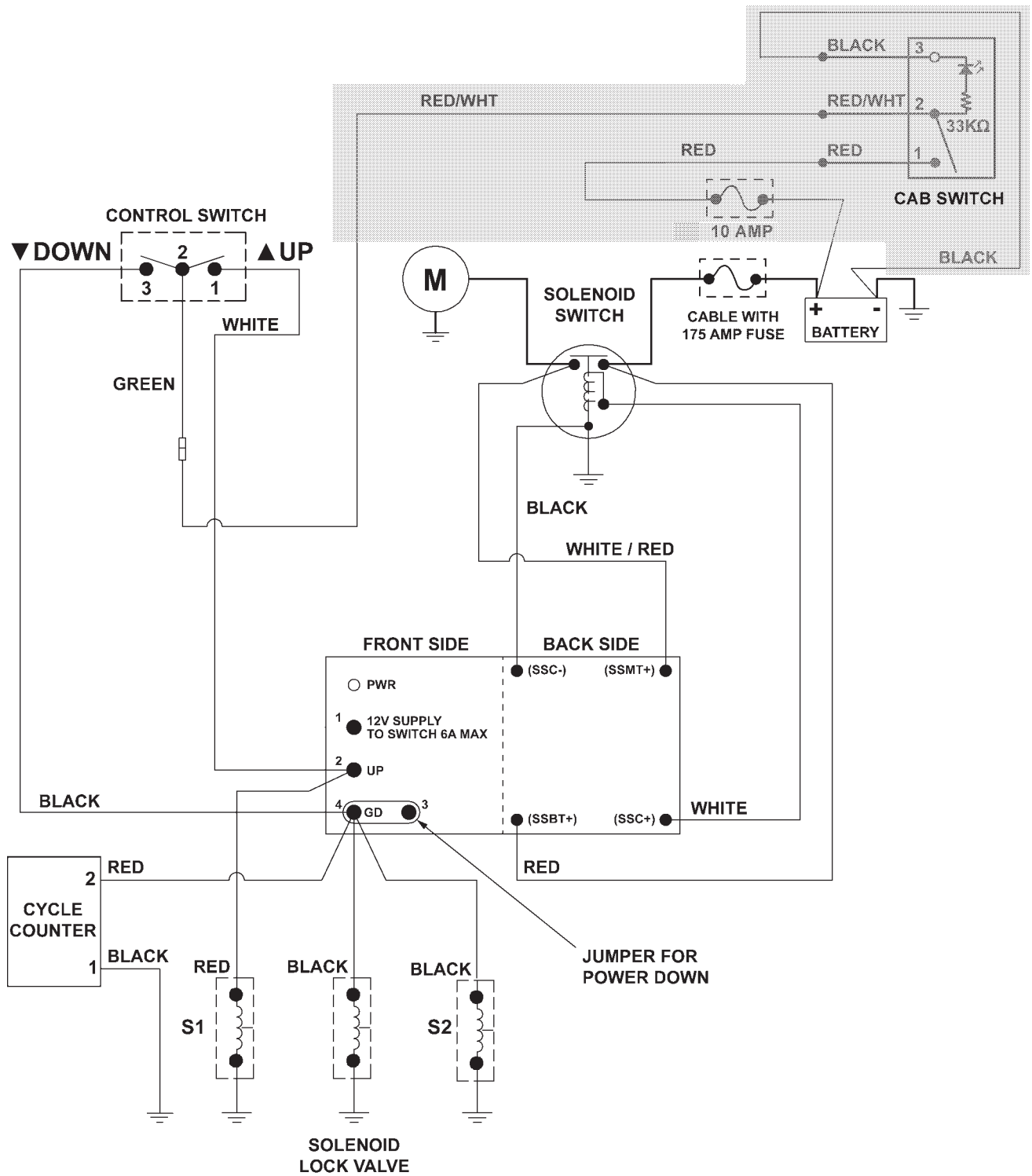
**CAB SWITCH WIRING DIAGRAM FOR TUK-A-WAY
FIG. 19-1**



**TUK-A-WAY POWER DOWN ELECTRICAL SCHEMATIC
FIG. 20-1**



**TUK-A-WAY GRAVITY DOWN ELECTRICAL SCHEMATIC
FIG. 21-1**



**ELECTRICAL SCHEMATIC FOR TUK-A-WAY
 LIFTGATES WITH ARC-SUPPRESSION MODULE
 FIG. 22-1**

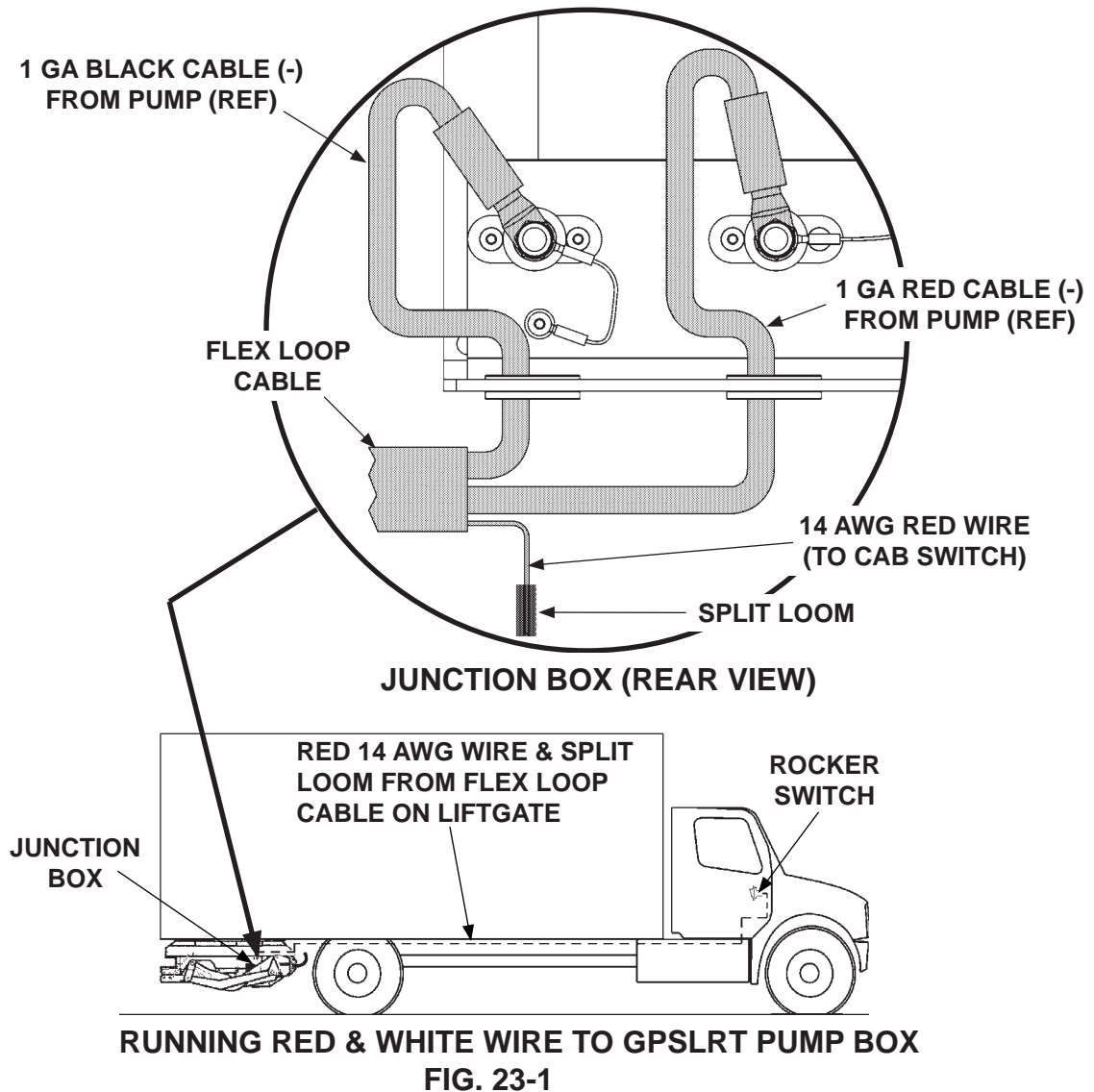
GPSLRT KIT INSTALLATION

CAUTION

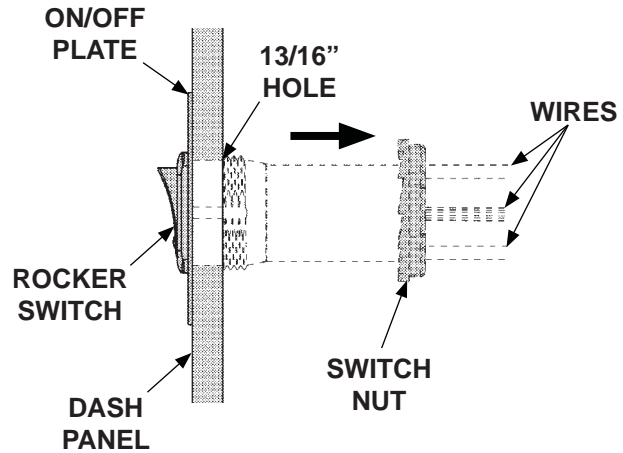
Never route an energized wire. Make sure the vehicle battery is disconnected. Always route electrical wires clear of moving parts, brake lines, sharp edges, and exhaust systems. Avoid making sharp bends in wiring. Attach securely. If drilling is necessary, first check behind the drilling surface to prevent damage to any fuel lines, vent lines, brake lines, or wires.

NOTE: Use plastic loom and ties (Kit items) to secure wire extensions and protect wire along the wire route.

1. Run the **RED** (14 AWG) wire with split loom along the trailer chassis, from flex loop cable on the junction box, to rocker switch in the truck cab (**FIGS. 23-1 and 24-1**).

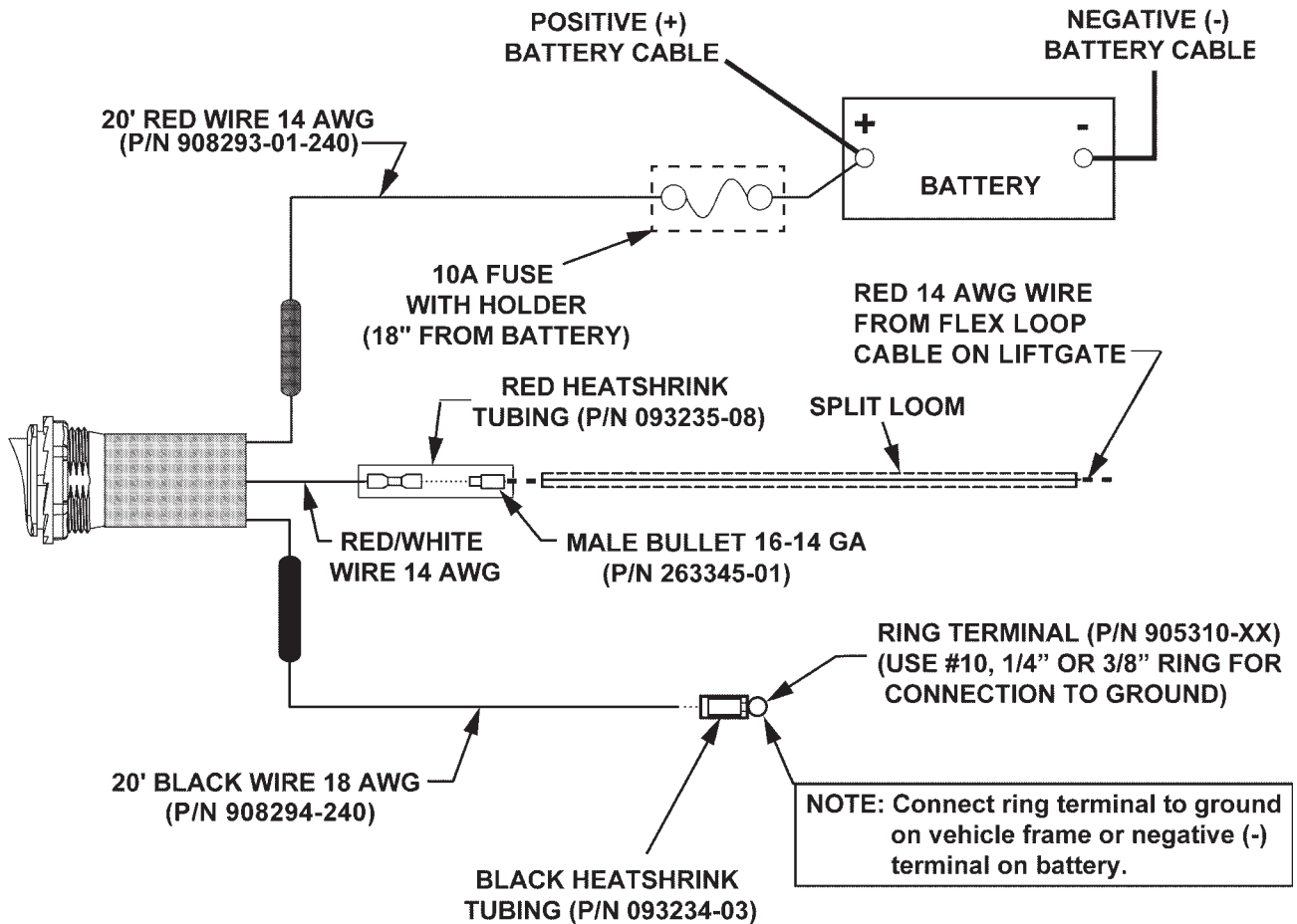


2. In the truck cab, remove the nut holding the cab switch to dash panel (FIG. 24-1). Then pull the switch, plate and wiring from the dash to gain access to the wiring.



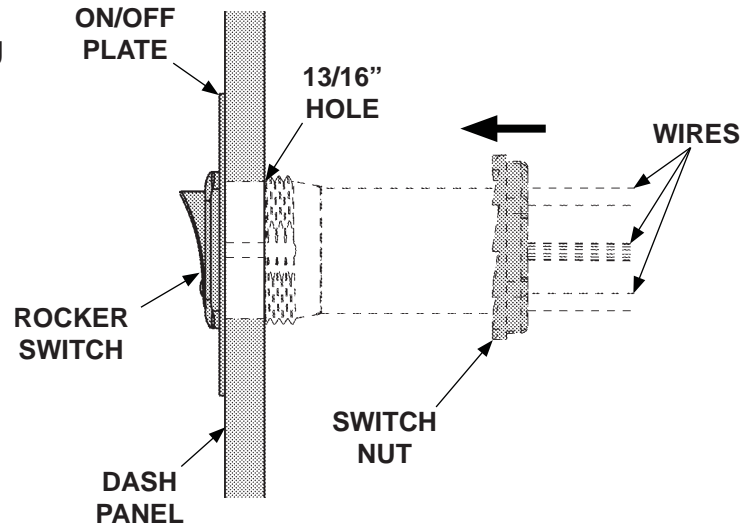
**REMOVING SWITCH FROM DASH PANEL
FIG. 24-1**

3. Cut **RED** wire to a length that will prevent strain on the wires being connected. Strip insulation from the **RED** wire to install 16-14 gauge male bullet terminal (Kit item, P/N 263345-01). Then, crimp the male bullet (Kit item) on the **RED** wire (FIG. 24-2).

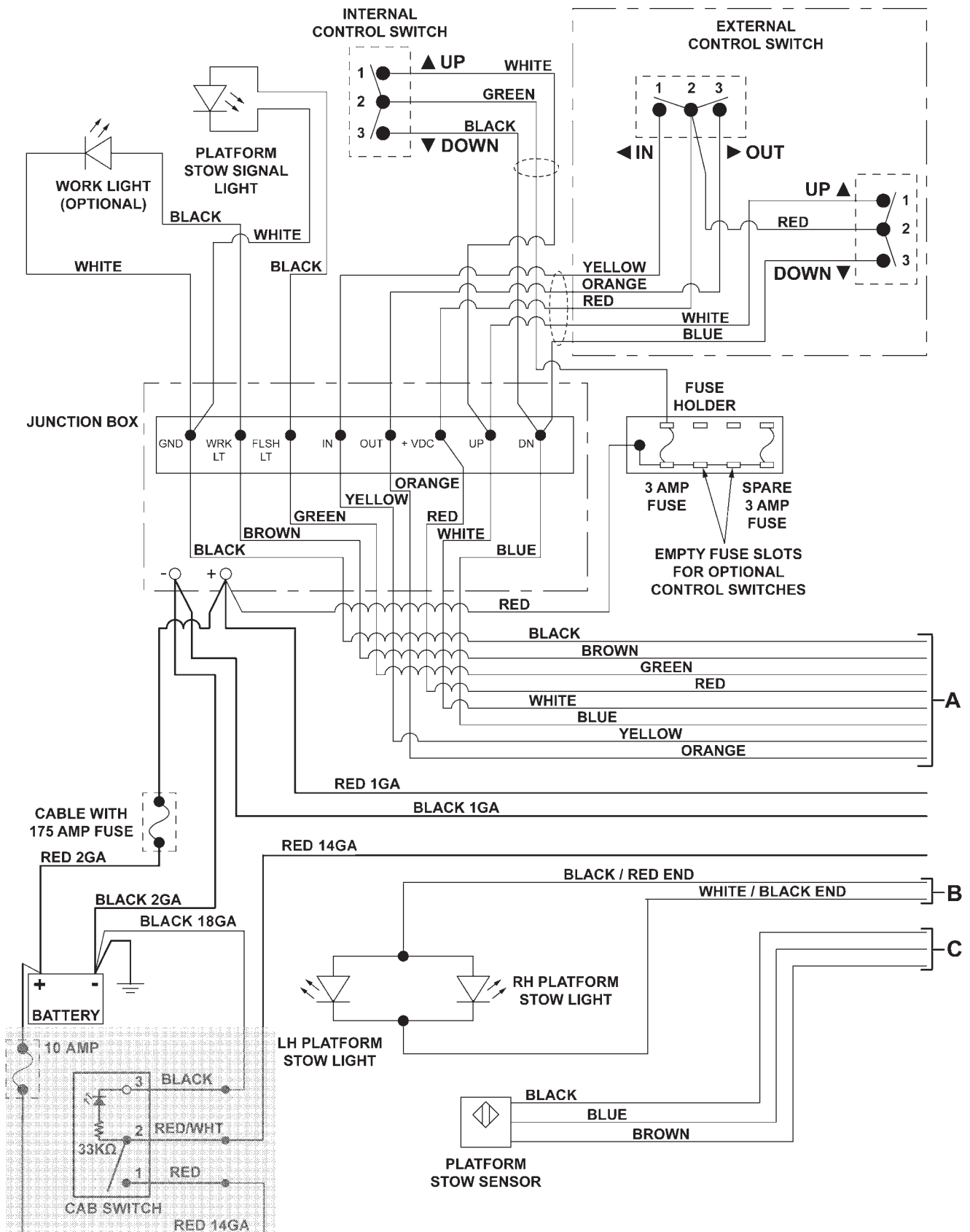


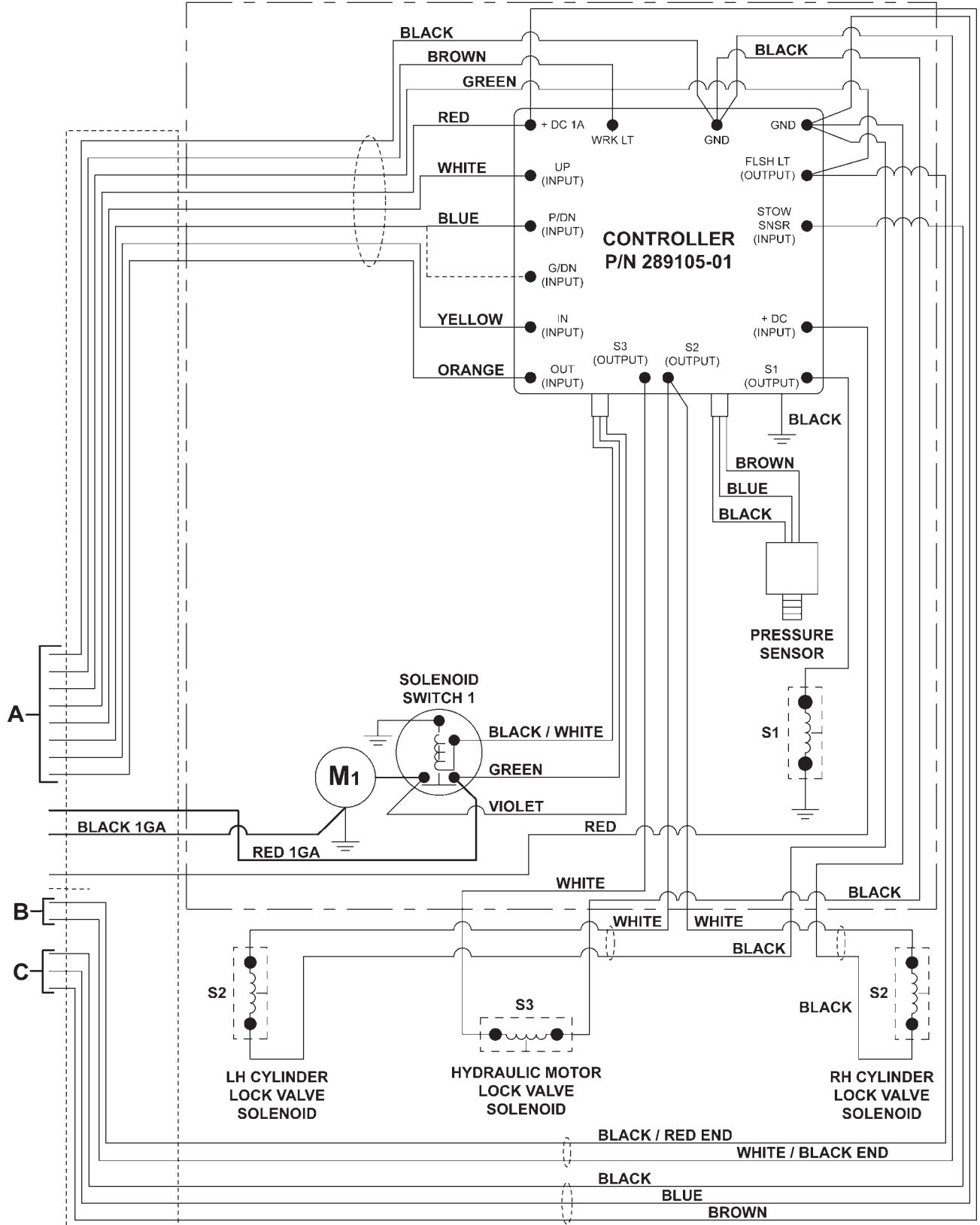
**CAB SWITCH WIRING DIAGRAM FOR NEW GPSLRT
FIG. 24-2**

4. Place one piece of red heatshrink tubing (Kit item, P/N 093235-08) on the short **RED/WHITE** wire (**FIG. 24-2**). Then, connect the male bullet on **14 AWG RED** wire to female bullet on the **RED/WHITE** wire of the switch.
5. Center heatshrink tubing over mated connectors on the **RED** wire and **RED/WHITE** wire (**FIG. 24-2**). Heat the tubing enough to shrink the tubing and seal the connection.
6. In the truck cab, insert the rocker switch through the 13/16" mounting hole until switch and on/off plate are flush against the dash panel. Reinstall nut to secure the switch and on/off plate to dash panel (**FIG. 25-1**).



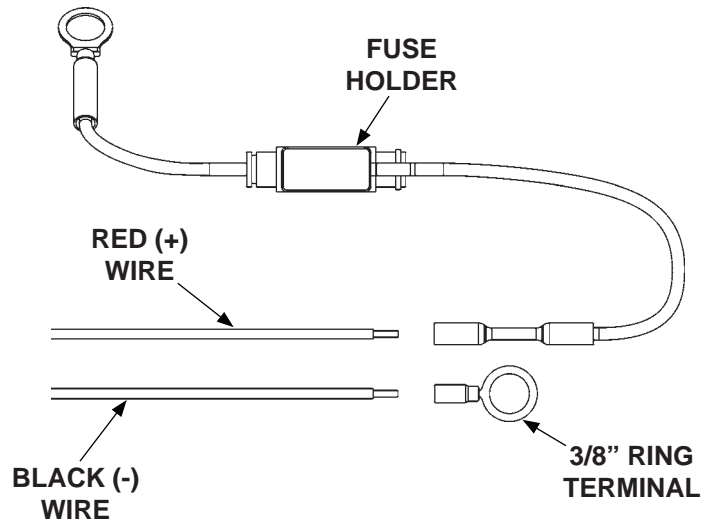
**REINSTALLING SWITCH ON DASH PANEL
FIG. 25-1**





CAB SWITCH CONNECTIONS TO BATTERY

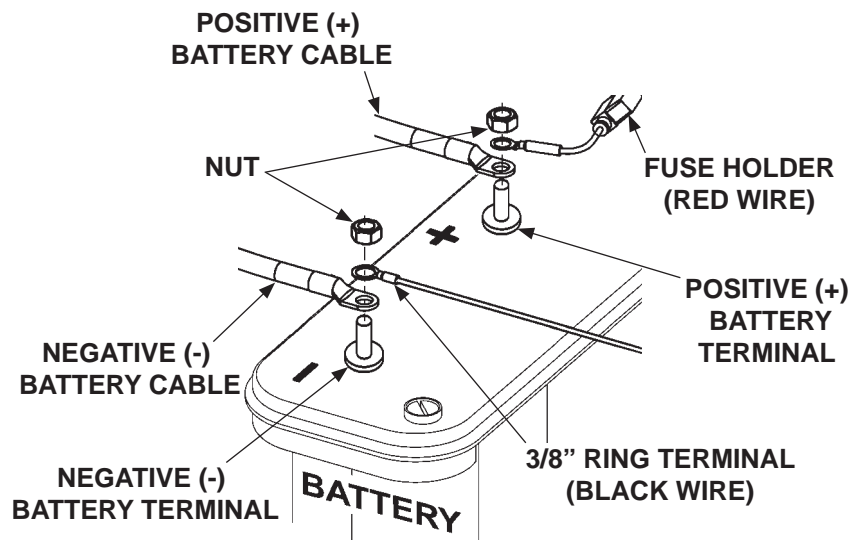
1. Crimp the fuse holder (Kit item) on the end of the **RED (+)** wire extension. Then, crimp the 3/8" ring terminal (Kit item) on the end of the **BLACK (-)** wire extension (**FIG. 28-1**).



INSTALLING FUSE HOLDER AND RING TERMINAL
FIG. 28-1

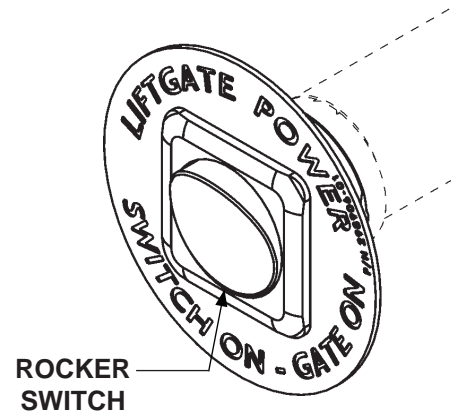
NOTE: The extended **BLACK (-)** wire on the cab switch can also be grounded to vehicle frame.

2. Reconnect power to the pump by reconnecting positive (+) cable and fuse holder on **RED (+)** wire extension to positive (+) battery terminal (**FIG. 28-2**). Install and tighten nut. Then, reconnect negative (-) cable and 3/8" ring terminal on **BLACK (-)** wire extension to negative (-) battery terminal (**FIG. 28-2**). Install and tighten nut.



RECONNECTED BATTERY CABLES
FIG. 28-2

3. Check cab switch for correct operation as follows. Turn on the cab switch (**FIG. 29-1**). Switch is illuminated and Liftgate operates. Turn off cab switch. Light is off and Liftgate will not operate (**FIG. 29-1**).



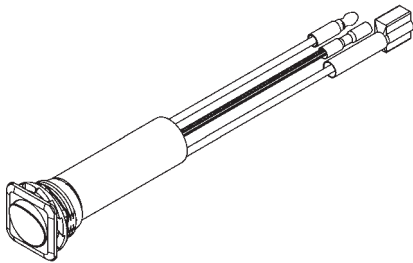
CAB SWITCH
FIG. 29-1

INSTRUCCIONES, KIT DEL INTERRUPTOR UNIVERSAL PARA LA CABINA

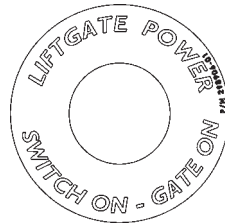
KIT, N/P 298905-01

⚠ ADVERTENCIA

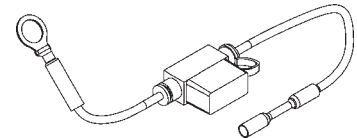
Instalar y mantener el elevador puede exponerle a químicos, incluyendo plomo, conforme al estado de California producen cáncer y defectos de nacimiento u otros daños reproductivos. Para minimizar su exposición, instale y mantenga el elevador en un área bien ventilada y utilice un equipo de Protección Personal apropiado (PPE). Para más información consulte www.P65Warnings.ca.gov.



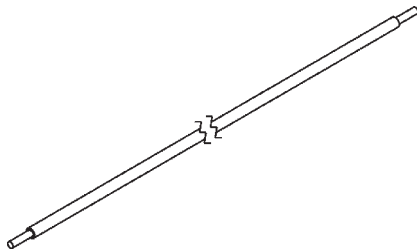
**INTERRUPTOR
OSCILANTE
N/P 210020-01
CANT. 1**



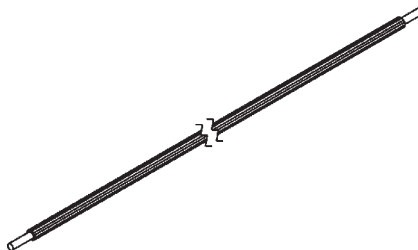
**PLACA ENCENDIDO/
APAGADO
N/P 298906-01
CANT. 1**



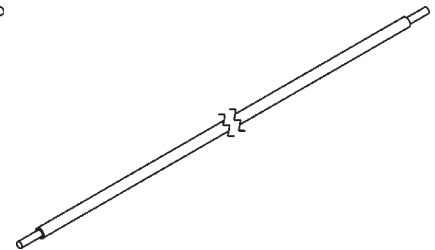
**SOPORTE CON FUSIBLE
10-AMP, ANILLO 3/8"
N/P 285013-04
CANT. 1**



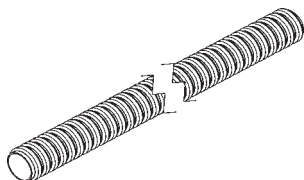
**CABLE ROJO,
14 AWG, 20' LG.
N/P 908293-01-240
CANT. 1**



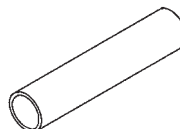
**CABLE ROJO Y BLANCO,
14 AWG, 60' LG.
N/P 908292-720
CANT. 1**



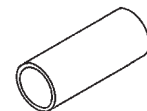
**CABLE NEGRO,
18 AWG, 20' LG.
N/P 908294-240
CANT. 1**



**TUBO CORRUGADO
DE PLÁSTICO,
3/8" X 60' LG.
N/P 030972-720
CANT. 1**

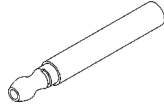


**TUBO TER-
MORETRÁCTIL ROJO,
6 mm D.I. X 2-3/4" LG.
N/P 093235-08
CANT. 2**

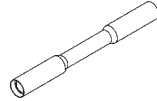


**TUBO TERMORETRÁCTIL
NEGRO, .35" D.I. X
1-1/2" LG.
N/P 093234-03
CANT. 2**

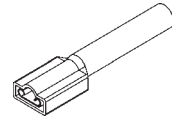
KIT N/P 298905-01



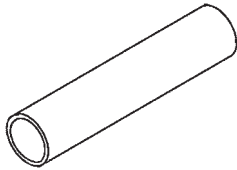
**BALA MACHO,
CALIBRE 16
N/P 263345-01
CANT. 2**



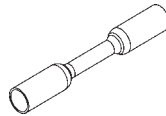
**BALA HEMBRA,
CALIBRE 16
N/P 263346-01
CANT. 2**



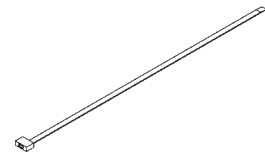
**DESCONEXIÓN RÁPIDA,
HEMBRA, 18-22 AWG
N/P 263344-05
CANT. 1**



**TUBO TERMORETRÁCTIL,
FORRADO CON
ADHESIVO, 2-3/4" LG.
N/P 268041-03
CANT. 1**



**CONECTOR DE PUNTAS,
CALIBRE 16
N/P 263891
CANT. 1**



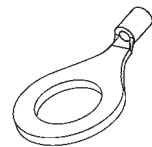
**CINTILLOS DE PLÁSTICO,
4" LG.
N/P 208153
CANT. 3**



**TERMINAL CON ANILLO,
SIN AISLAMIENTO
CALIBRE 22-18
ANILLO #10
N/P 905310-01
CANT. 1**



**TERMINAL CON ANILLO,
SIN AISLAMIENTO,
CALIBRE 22-18
ANILLO DE 1/4"
N/P 905310-03
CANT. 1**



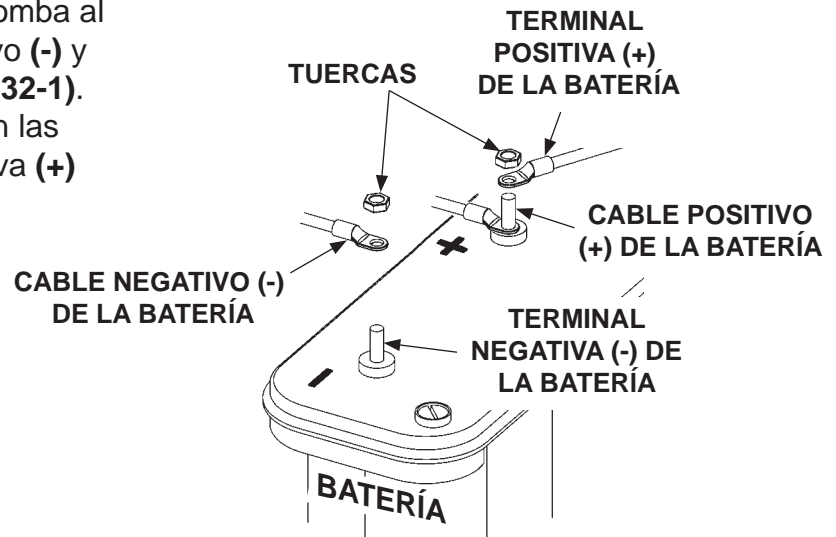
**RING TERMINAL,
SIN AISLAMIENTO,
CALIBRE 22-18
ANILLO 3/8"
N/P 905310-38
CANT. 1**

PREPARAR PARA LA INSTALACIÓN

⚠ ADVERTENCIA

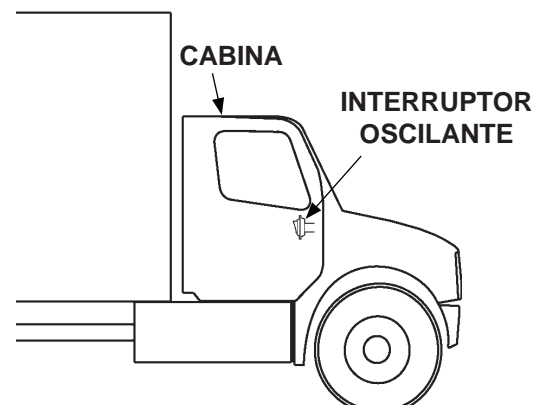
Para prevenir lesiones y daños al equipo, desconecte el cable de la batería (-) y el cable (+) de la batería.

1. Desconecte la energía de la bomba al desconectar los cables negativo (-) y positivo (+) en la batería (**FIG. 32-1**). Vuelva a instalar las tuercas en las terminales negativa (-) y positiva (+) de la batería.



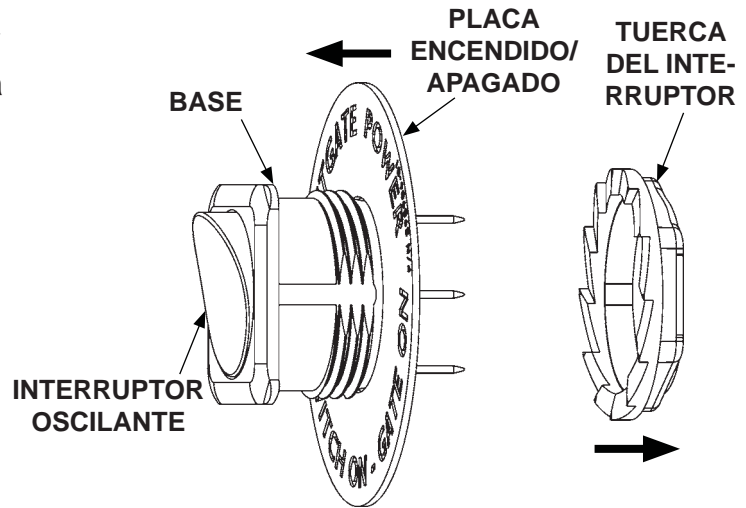
DESCONECTAR LA ENERGÍA DE LA BOMBA
DE LA BATERÍA
FIG. 32-1

2. Ubique un lugar accesible para el interruptor oscilante (art. de kit) en el panel de instrumentos del vehículo (**FIG. 32-2**). Marque y taladre un agujero de montaje de 13/16" [2 cm] en el panel de instrumentos para el interruptor.



INTERRUPTOR OSCILANTE EN LA CABINA DEL VEHÍCULO
FIG. 32-2

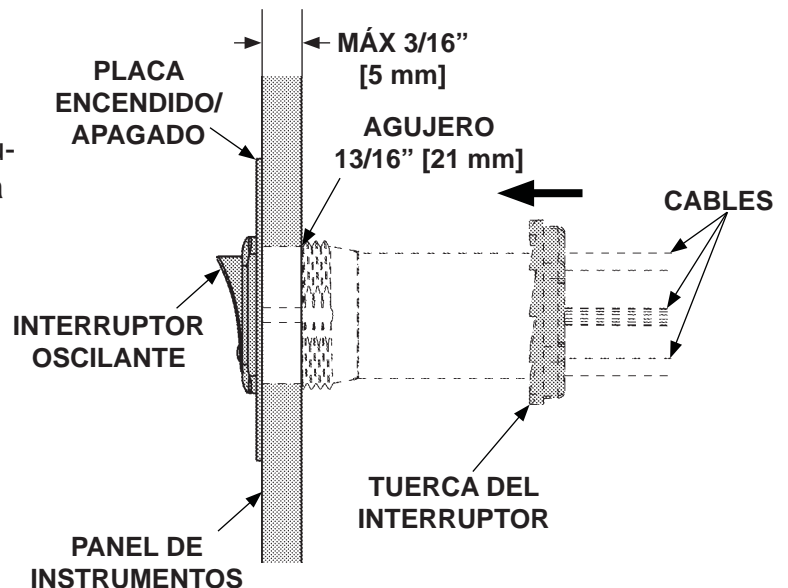
3. Desatornille la tuerca del interruptor. Coloque la placa de encendido/apagado (art. de kit) al ras contra la base del interruptor (**FIG. 33-1**).



**AJUSTAR LA PLACA ENCENDIDO/
APAGADO AL INTERRUPTOR
FIG. 33-1**

NOTA: Verifique que el panel de instrumentos no sea más grueso que 3/16" [5 mm].

4. En la cabina, alimente los cables del interruptor oscilante a través del agujero de montaje de 13/16" [21 mm] hasta que el interruptor y la placa encendido/apagado estén al ras en contra del panel de instrumentos. Vuelva a instalar la tuerca para asegurar el interruptor y la placa encendido/apagado al panel de instrumentos (**FIG. 33-2**).



**COLOCAR EL INTERRUPTOR
AL PANEL DE INSTRUMENTOS
FIG. 33-2**

NOTA: El cable **ROJO (+)** (N/P 908293-01-240), **ROJO Y BLANCO** (N/P 908292-720), y **NEGRO (-)** (N/P 908294-240) sirven como extensiones de cableado para instalarse a lo largo del bastidor del vehículo. El cable **ROJO (+)** está lo suficientemente largo para alcanzar la terminal **(+)** de la batería del camión sin poner tensión en el cable. Verifique que el cable **ROJO/BLANCO** está lo suficientemente largo para alcanzar la caja de la bomba del elevador sin poner tensión en el cable. Verifique que el cable **NEGRO (-)** está lo suficientemente largo para alcanzar la terminal **(-)** de la batería del camión ó en el suelo dedicado para el bastidor del vehículo sin poner tensión en el cable. Mantenga suficiente holgura en ambos extremos del cable para prevenir que las conexiones se tensen.

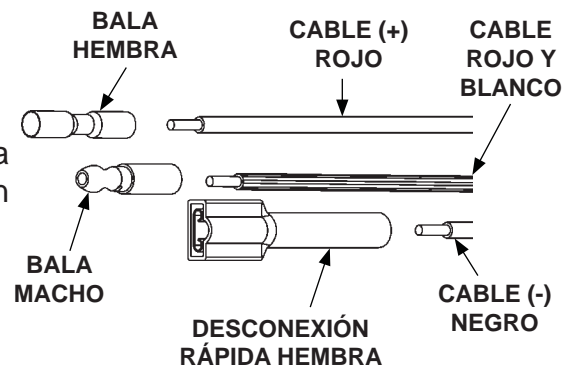
NOTA: La conexión del cable **ROJO/BLANCO**, para el kit común de instalación GPSLRT, permanece desconectada hasta que el cable se instale de la caja de la bomba en el elevador al interruptor de cabina en el vehículo. Consulte las instrucciones de instalación del kit común para GPSLRT.

5. Aplique un doblez en la bala hembra (art. de kit) en el extremo de la extensión del cable **ROJO (+)**. Luego, doble la bala macho (art. de kit) en el extremo de la extensión del cable **ROJO Y BLANCO**. Después, doble la desconexión rápida hembra (art. de kit) en el extremo de la extensión del cable **NEGRO (-)** (FIG. 34-1 y 35-1).

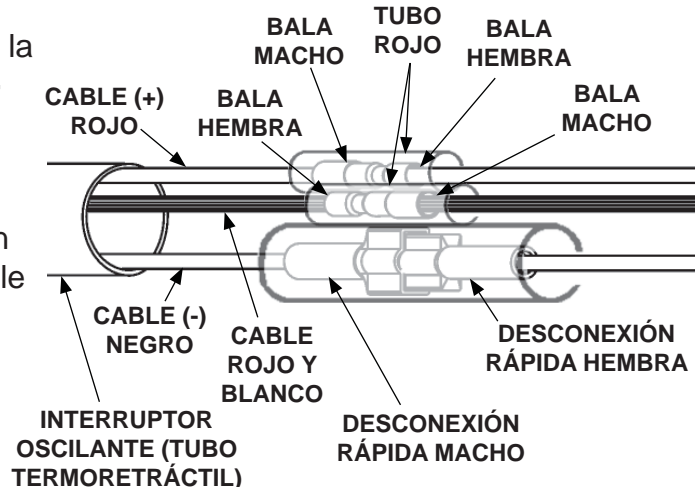
6. Coloque una pieza de tubo termoretráctil rojo (art. de kit, N/P 093235-08) en el cable corto **ROJO** y el cable corto **ROJO/BLANCO** (FIGS. 34-2 y 35-1). Después, coloque el tubo termoretráctil negro (art. de kit, N/P 268041-03) en el cable negro corto.

7. Conecte la bala macho del cable **ROJO (+)** con la bala hembra de la extensión del cable **ROJO (+)**. Después, conecte la bala hembra del cable **ROJO Y BLANCO** con la bala macho de la extensión del cable **ROJO Y BLANCO**. Luego, conecte la desconexión rápida macho al cable **NEGRO (-)** con la desconexión rápida hembra de la extensión del cable **NEGRO (-)** (FIG. 34-2 y 35-1).

8. Centre el tubo termoretráctil sobre los conectores acoplados en el cable **ROJO**, cable **ROJO/BLANCO**, y cable **NEGRO** (FIGS. 34-2 y 35-1). Caliente los tubos lo suficiente para encoger los tubos y sellar cada conexión.



INSTALAR LAS BALAS Y LA DESCONEXIÓN HEMBRA
FIG. 34-1



CONECTAR LOS CABLES
FIG. 34-2

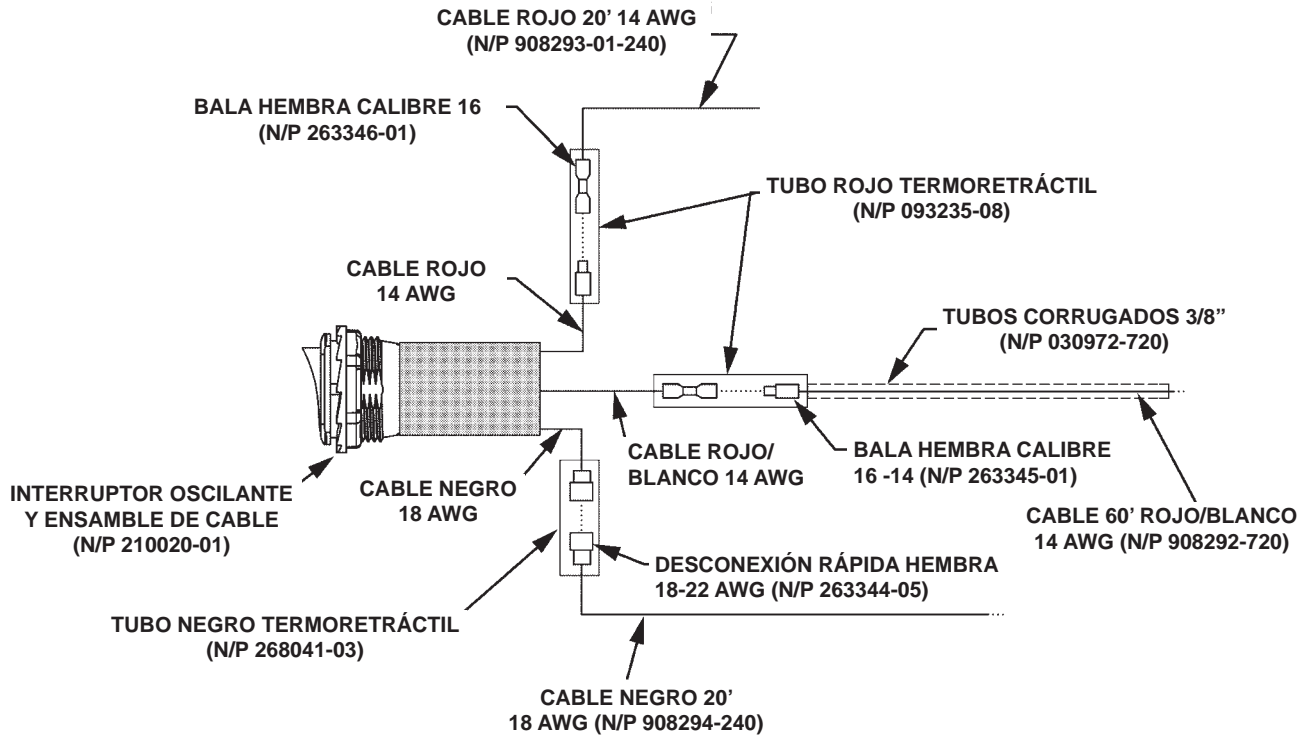
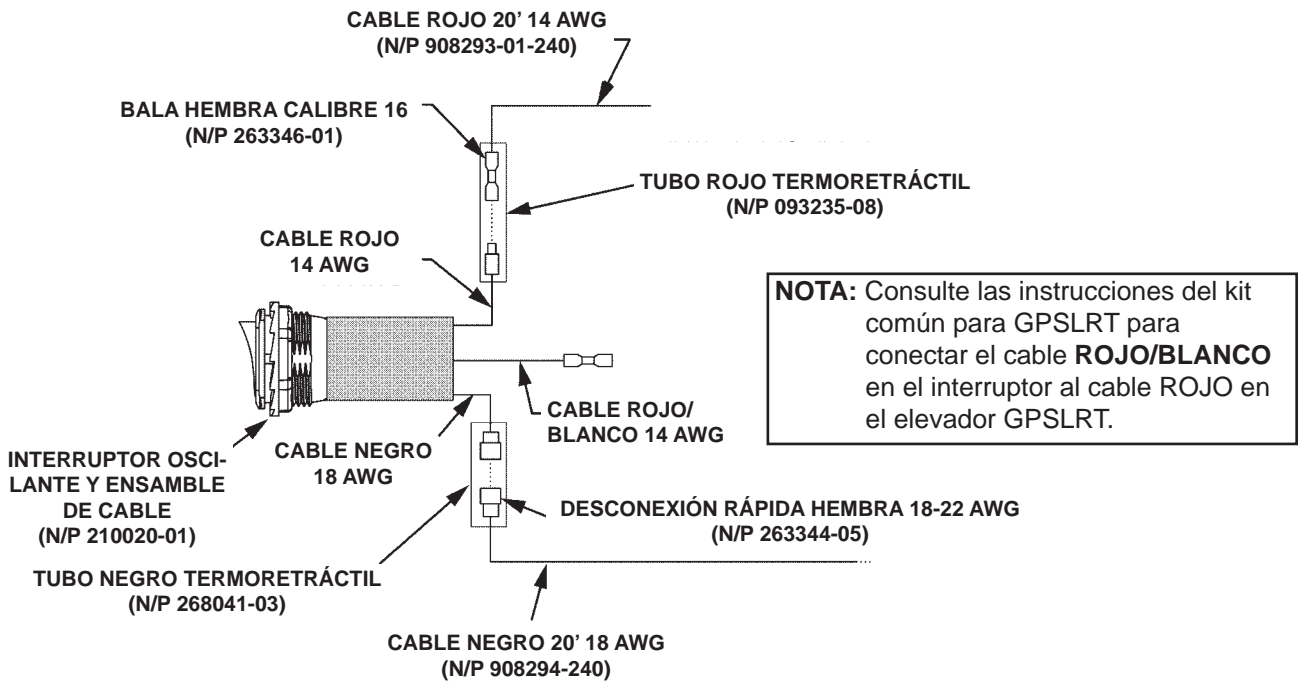


DIAGRAMA DE PREPARACIÓN PARA EL CABLEADO DEL INTERRUPTOR Y LA EXTENSIÓN PARA LOS ELEVADORES GDSLRT Y TUK-A-WAY
FIG. 35-1



NOTA: Consulte las instrucciones del kit común para GDSLRT para conectar el cable **ROJO/BLANCO** en el interruptor al cable **ROJO** en el elevador GDSLRT.

DIAGRAMA DE PREPARACIÓN PARA EL CABLEADO DEL INTERRUPTOR Y LA EXTENSIÓN PARA LOS ELEVADORES GDSLRT
FIG. 35-2

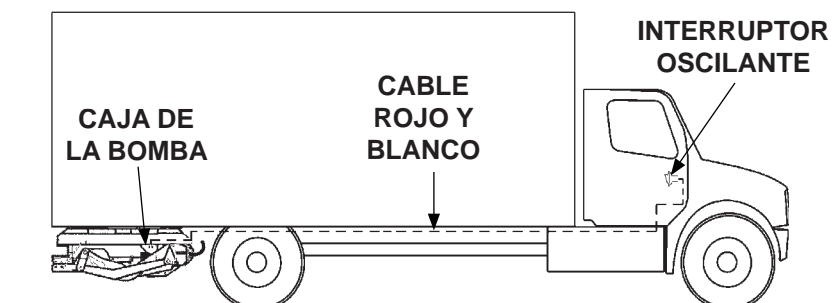
INSTALACIÓN DE KIT EN GPSLRT

PRECAUCIÓN

Nunca instale un cable energizado. Verifique que la batería del vehículo esté desconectado. Siempre instale los cables eléctricos lejos de partes en movimiento, líneas de freno, bordes afilados y sistemas de escape. Evite hacer dobleces pronunciados en el cableado. Fije de manera segura. Si es necesario taladrar, primero verifique detrás de la superficie para taladrar para prevenir daños a cualquier línea de combustible, líneas de ventilación, líneas de freno o cables.

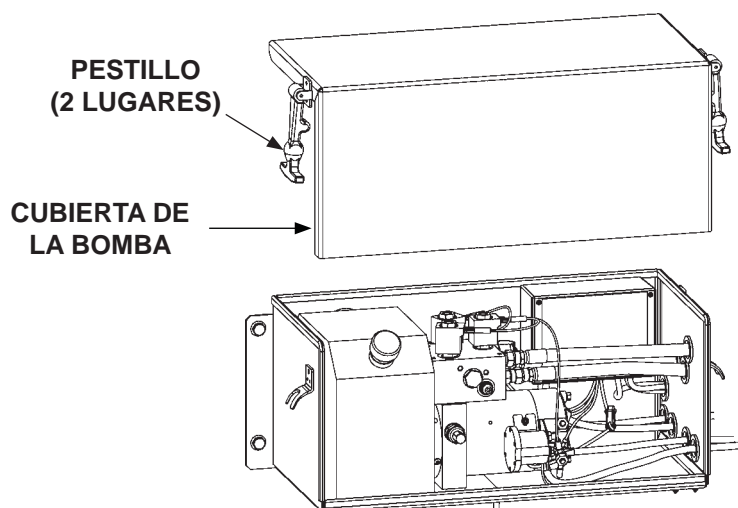
NOTA: Utilice telar y cintillos de plástico (art. de kit) para asegurar las extensiones del cable y proteger el cable a lo largo de la instalación del cable.

1. Instale la extensión del cable **ROJO/BLANCO** a lo largo del chasis del tráiler desde el interruptor oscilante a la caja de la bomba del elevador (**FIG. 36-1**).



**INSTALAR EL CABLE ROJO Y BLANCO
A LA BOMBA (GPSLRT)
FIG. 36-1**

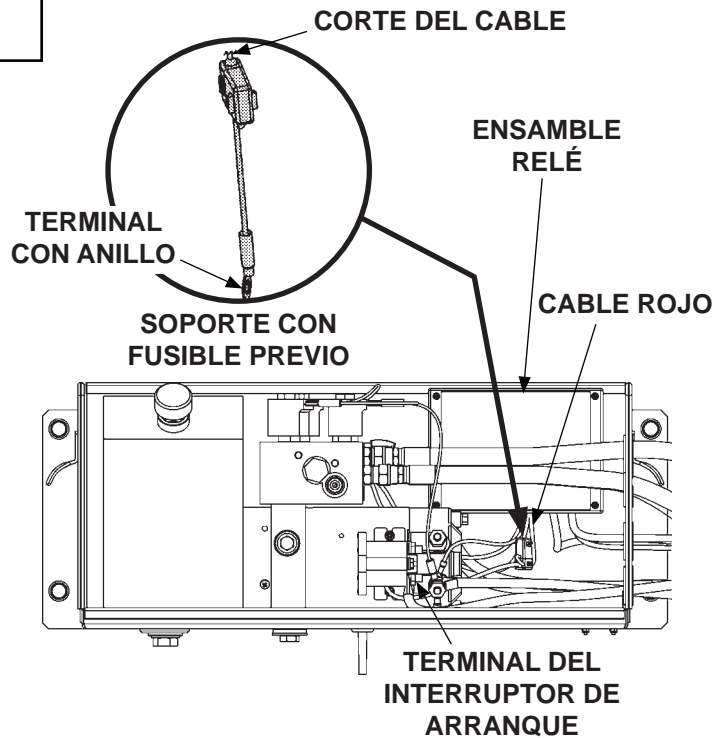
2. Retire la cubierta de la bomba como se muestra en **FIG. 36-2**.



**RETIRAR LA CUBIERTA DE LA BOMBA
FIG. 36-2**

NOTA: Elimine el soporte de fusible previo que se retiró en el ensamble de la bomba.

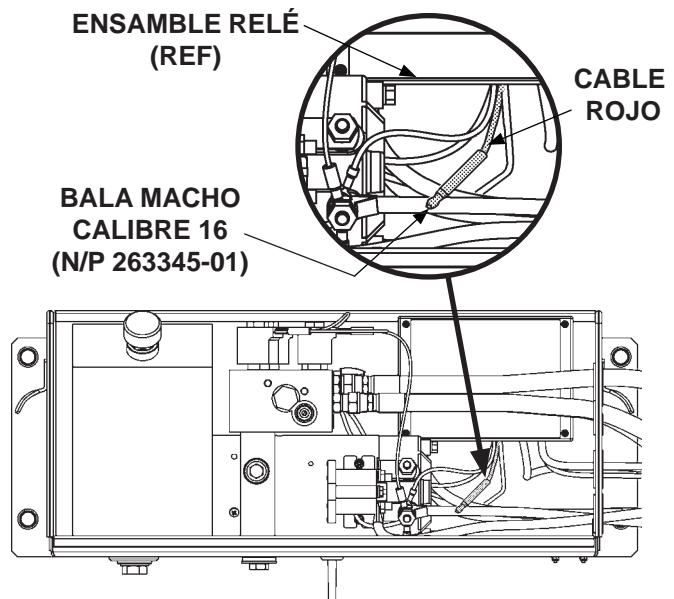
3. Retire la tuerca hex. de la terminal del interruptor de arranque en donde la línea del soporte con fusible esté conectado (**FIG. 37-1**). Luego, corte el cable **ROJO** al ensamble del relé apoyado en el soporte de fusible (**FIG. 37-2**). Luego, vuelva a instalar la tuerca hex. en la terminal del interruptor de arranque. Aplique un torque en la tuerca hex. de máx. **30-35 lb-in [3.3 a 3.9 Nm]**.



RETIRAR EL SOPORTE CON FUSIBLE
FIG. 37-1

NOTA: Consulte el diagrama del cable del interruptor en la cabina en **FIG. 40-1**.

4. Pelar el aislamiento del cable **ROJO** para instalar la terminal de la bala macho (art. de kit). Después, doble la bala macho en el cable (**FIG. 37-2**).



INSTALAR LA BALA MACHO
FIG. 37-2

5. Instale la extensión del cable **ROJO/BLANCO** y el tubo corrugado (del interruptor en la cabina) a través del ojal en la pared posterior de la caja de la bomba (**FIG. 38-1**). Después, corte suficiente del tubo corrugado para tener acceso al cable. Después, corte el cable **ROJO/BLANCO** a una longitud que previene tensión en las conexiones de los cables.

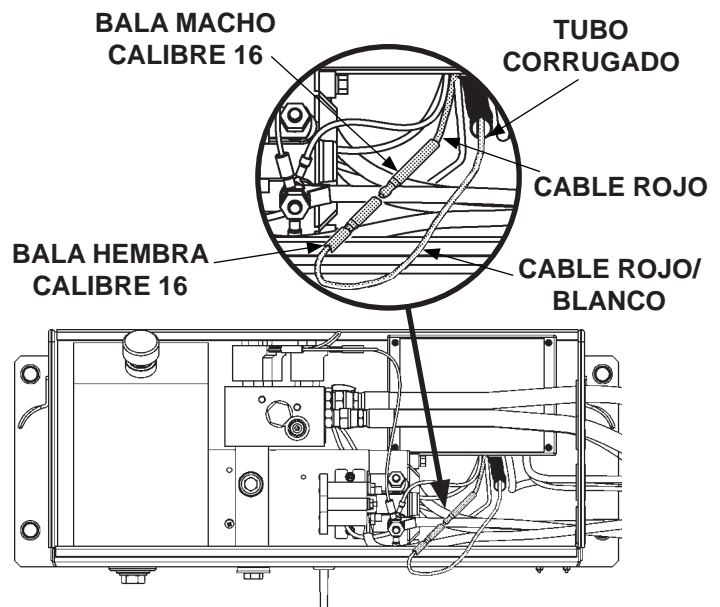
6. Pelar el aislamiento del cable **ROJO/BLANCO** para instalar la terminal de la bala hembra. Después, doble la bala hembra (art. de kit) en el cable (**FIG. 38-1**).

7. Conecte la bala hembra en el cable **ROJO/BLANCO** en la bala macho del cable **ROJO** (**FIG. 38-1**). Utilice los cintillos de plástico (art. de kit) para asegurar el tubo corrugado (cable **ROJO/BLANCO**) al arnés del cableado en el ensamble de la bomba.

PRECAUCIÓN

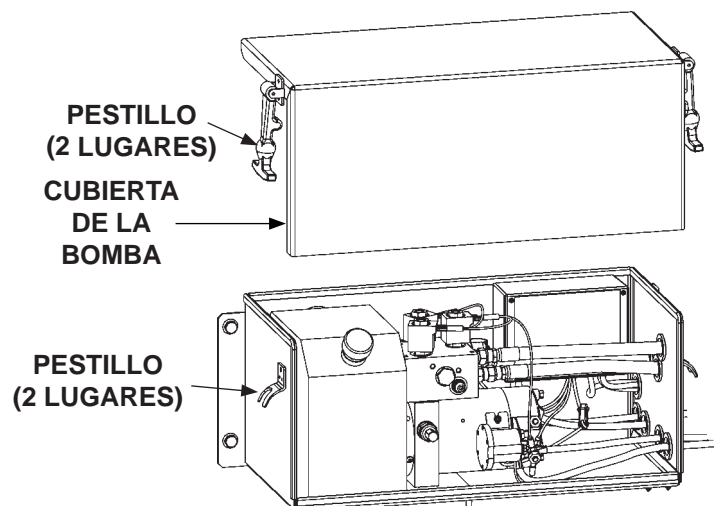
La cubierta de la bomba se debe asegurar adecuadamente para prevenir que sea un riesgo.

8. Vuelva a instalar la cubierta de la bomba como se muestra en la **FIG. 38-2**.



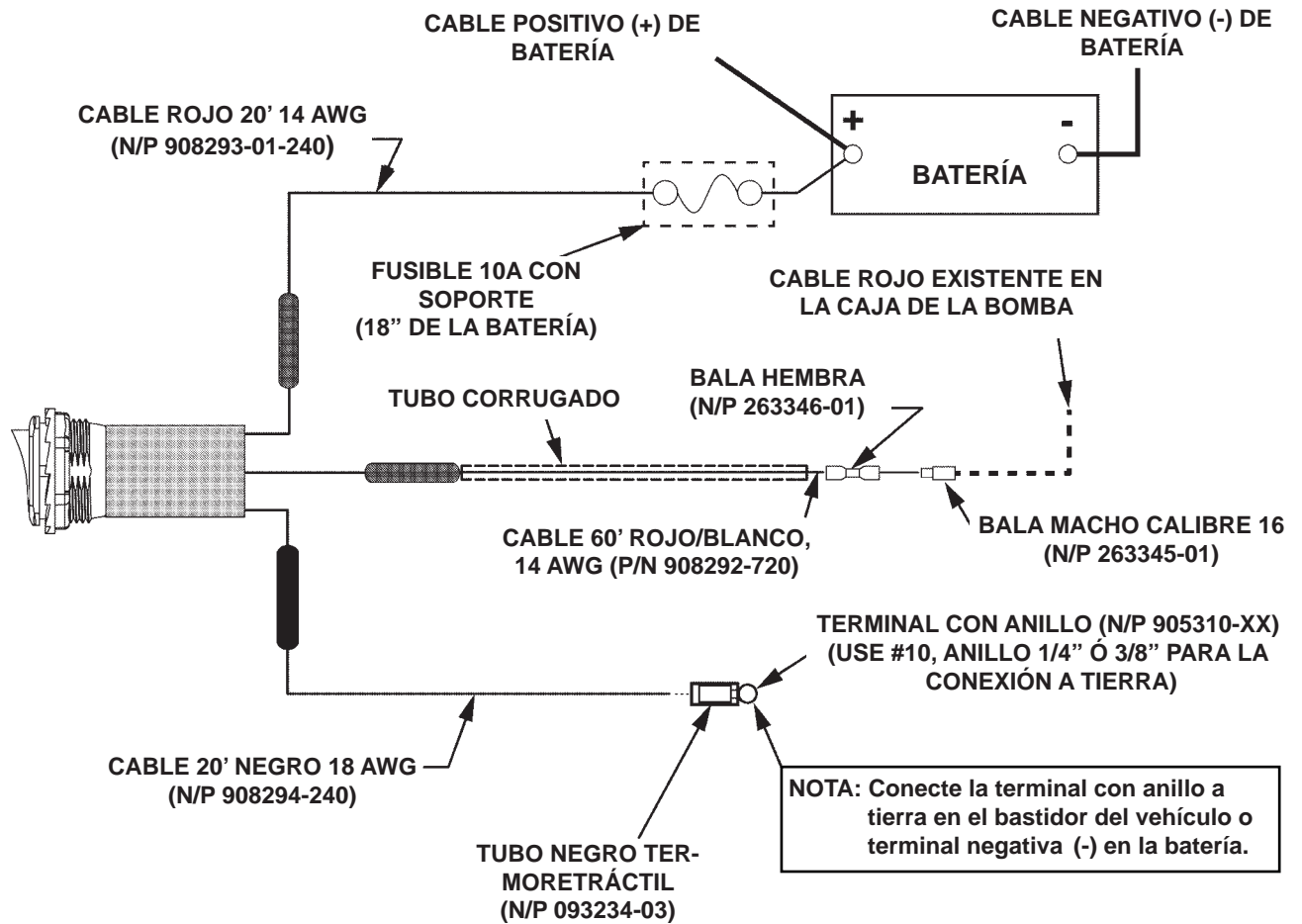
INSTALAR BALA HEMBRA Y CABLES CONECTADOS

FIG. 38-1

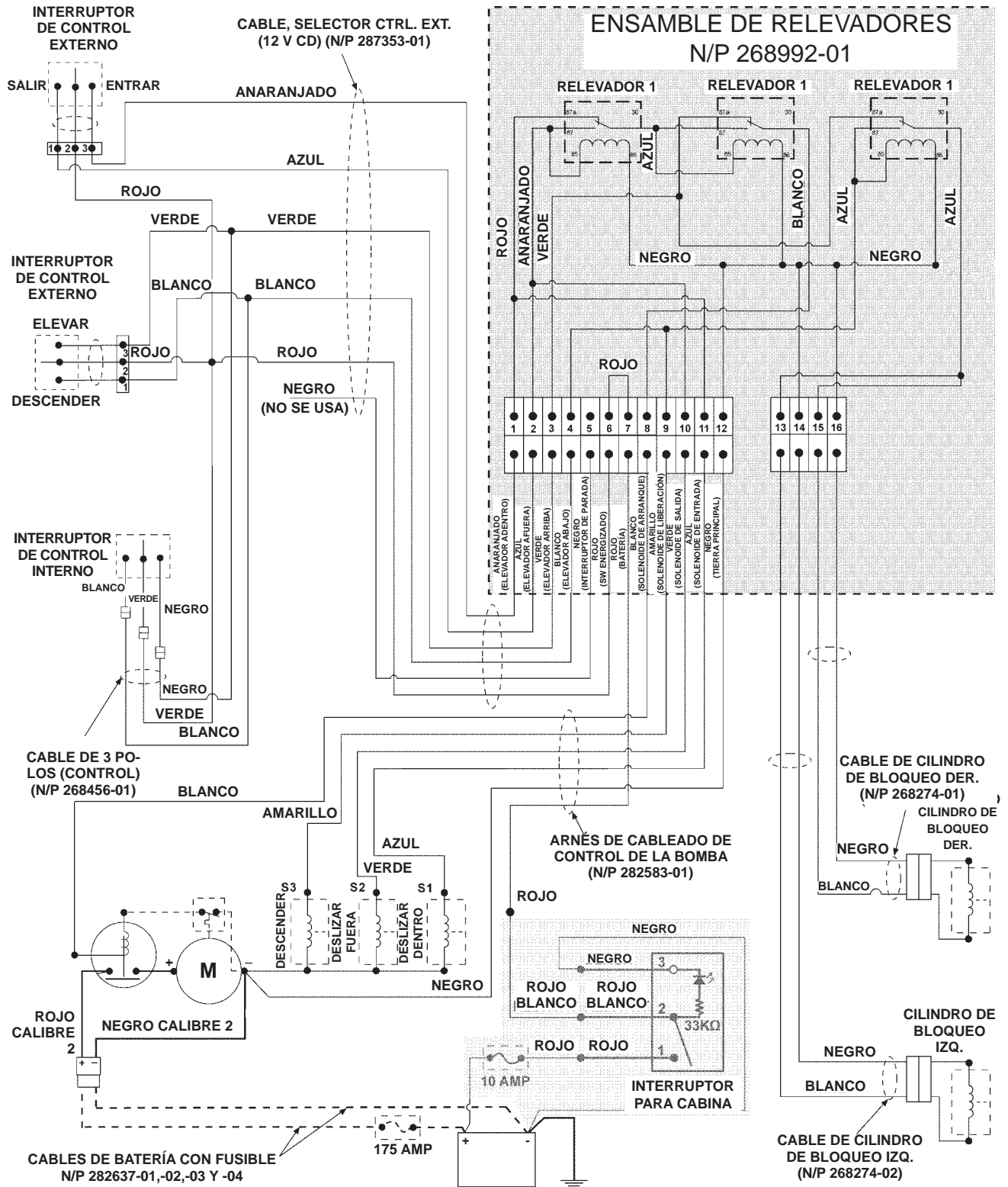


VOLVER A INSTALAR LA CUBIERTA DE LA BOMBA

FIG. 38-2



**DIAGRAMA DE CABLEADO PARA EL INTERRUPTOR DE CABINA DE GPLRT
FIG. 39-1**



ESQUEMA ELÉCTRICO DE INTERRUPTOR EN GPSLRT Y CABINA
FIG. 40-1

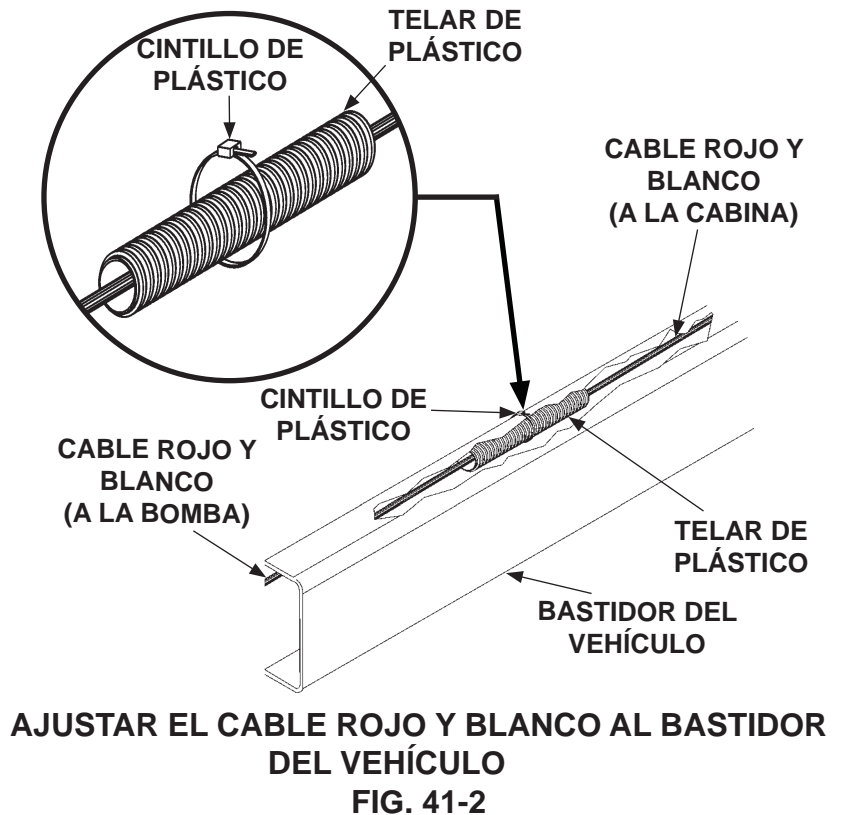
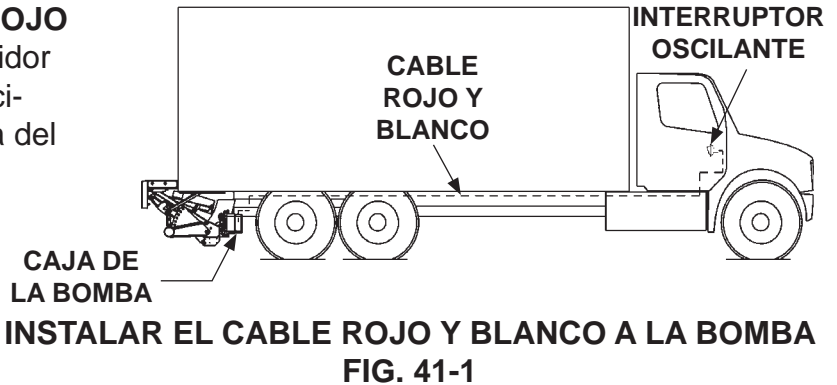
INSTALACIÓN DE KIT TUK-A-WAY

PRECAUCIÓN

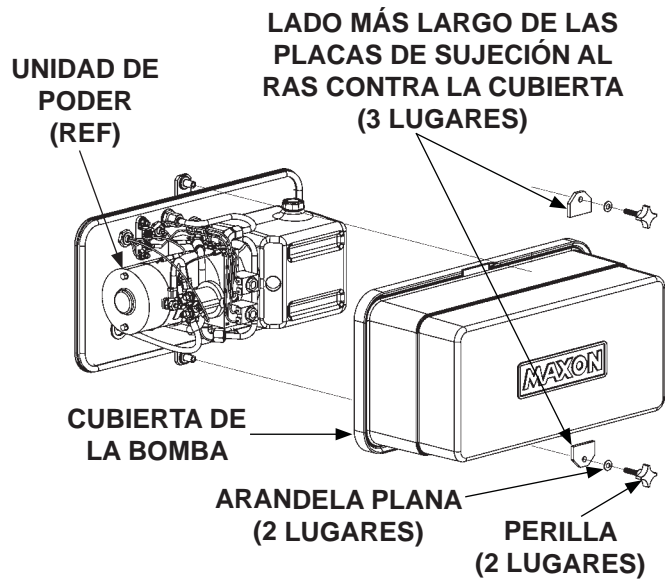
Nunca instale un cable energizado. Verifique que la batería del vehículo esté desconectado. Siempre instale los cables eléctricos lejos de partes en movimiento, líneas de freno, bordes afilados y sistemas de escape. Evite hacer dobleces pronunciados en el cableado. Fije de manera segura. Si es necesario taladrar, primero verifique detrás de la superficie para taladrar para prevenir daños a cualquier línea de combustible, líneas de ventilación, líneas de freno o cables.

NOTA: Utilice telar y cintillos de plástico (art. de kit) para asegurar las extensiones del cable y proteger el cable a lo largo de la instalación del cable.

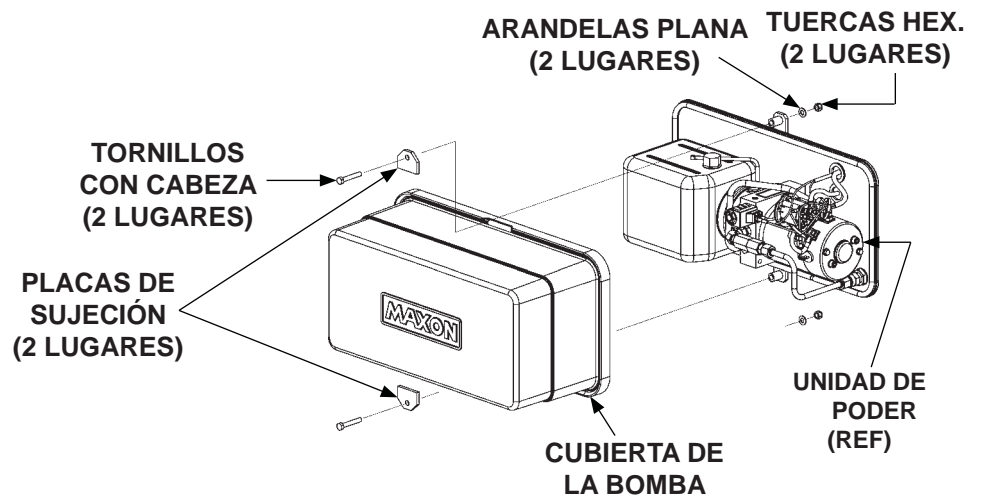
1. Instale el cable de extensión **ROJO Y BLANCO** a lo largo del bastidor del vehículo del interruptor oscilante al ensamble de la bomba del elevador (**FIGS. 41-1 y 41-2**).



2. Desatornille la cubierta de la bomba como se muestra en las FIGS. 42-1 y 42-2.



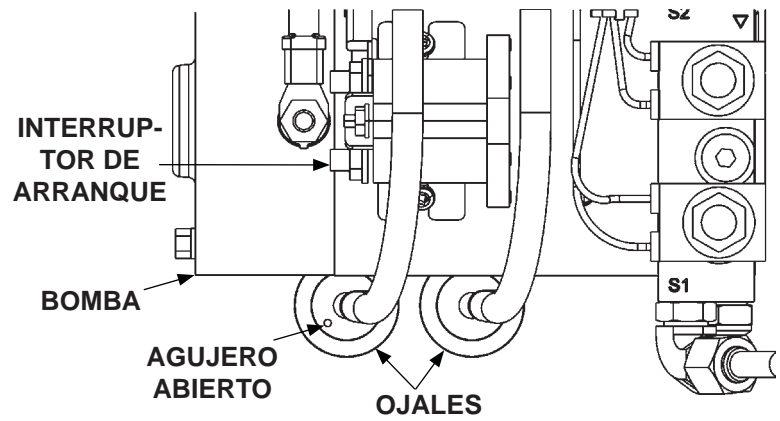
DESATORNILLE LA CUBIERTA DE LA BOMBA
FIG. 42-1



DESATORNILLAR LA CUBIERTA DE LA BOMBA (GPTLR, MXT Y TE-33)
FIG. 42-2

NOTA: Si hay suficiente espacio para que la extensión del cable **ROJO/BLANCO** para que entre la caja de la bomba a través de uno de los ojales en la caja de la bomba, omita el **Paso 3**.

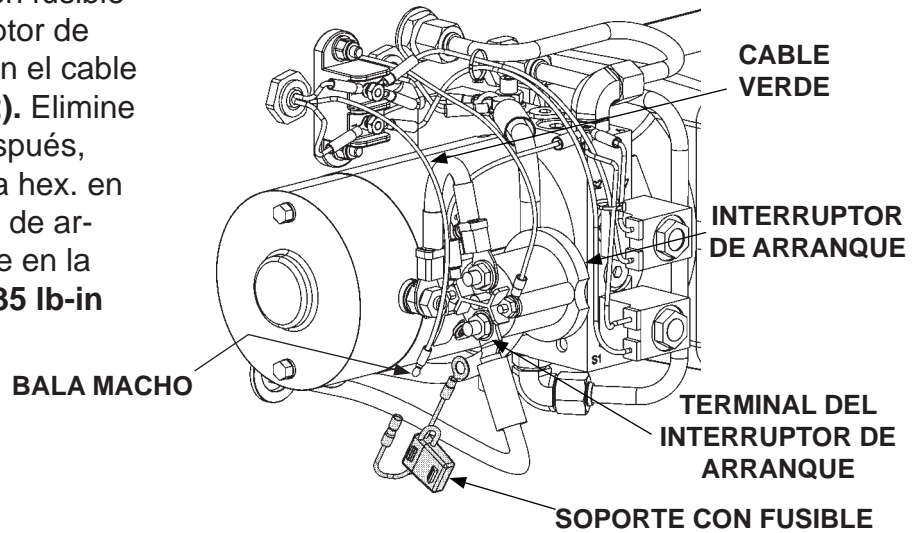
3. Haga un agujero a través de uno de los ojales en la placa de montaje en la bomba para instalar la extensión del cable **ROJO Y BLANCO** adentro de la caja de la bomba (**FIG. 43-1**).



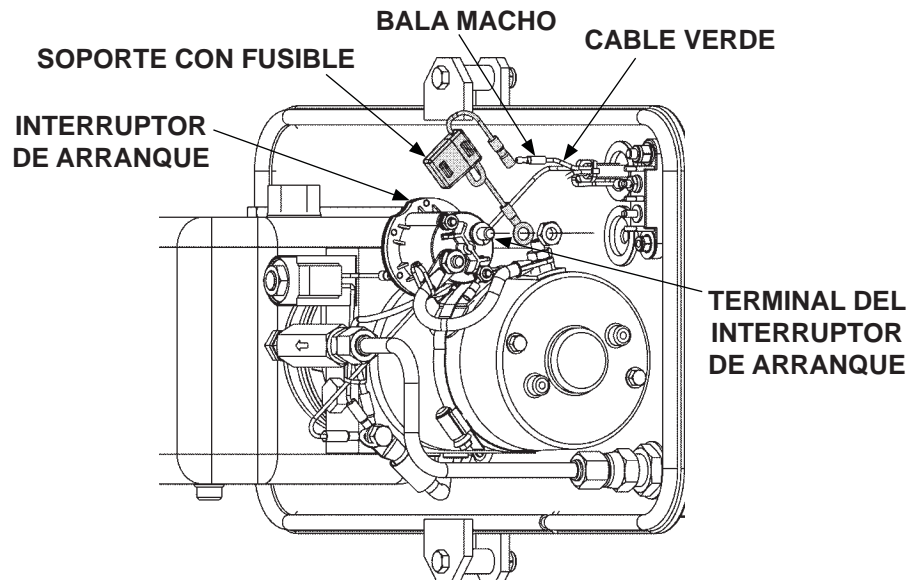
HACER AGUJEROS PARA EL CABLE
FIG. 43-1

NOTA: Algunos ensambles de la bomba se equipan con un módulo de supresión de arco MAX ECU. El **Paso 5** tiene instrucciones para desconectar el soporte de fusible del módulo MAX ECU.

4. Desconecte el soporte con fusible de la terminal del interruptor de arranque y bala macho en el cable verde (**FIGS. 44-1 y 44-2**). Elimine el soporte de fusible. Después, vuelva a instalar la tuerca hex. en la terminal del interruptor de arranque. Aplique un torque en la tuerca hexagonal de **30-35 lb-in [3.3-3.9 Nm]** máximo.

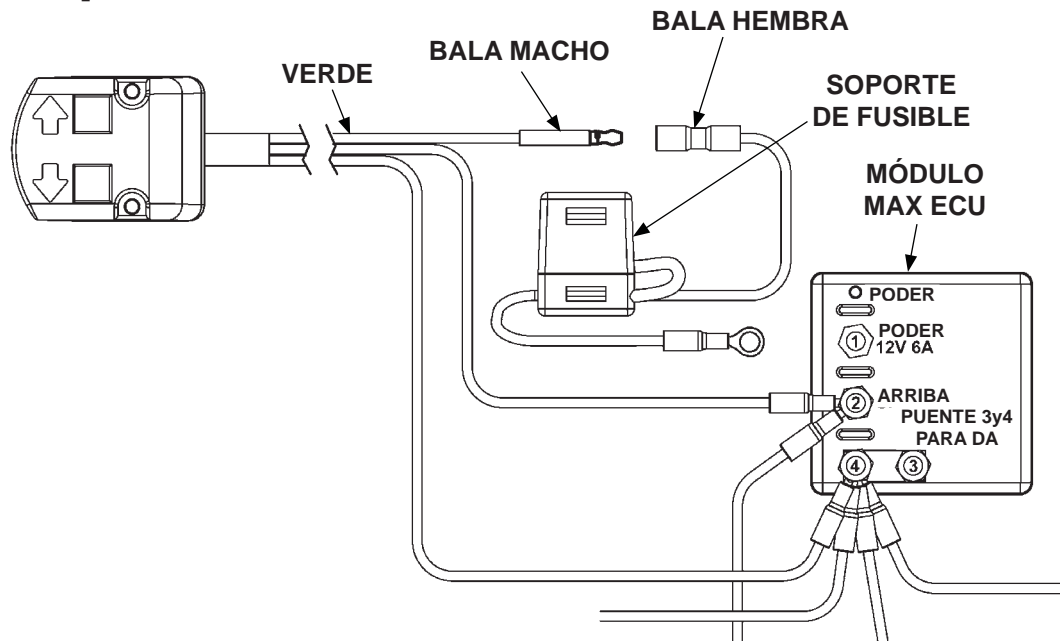


RETIRAR EL SOPORTE CON FUSIBLE (GPT)
FIG. 44-1



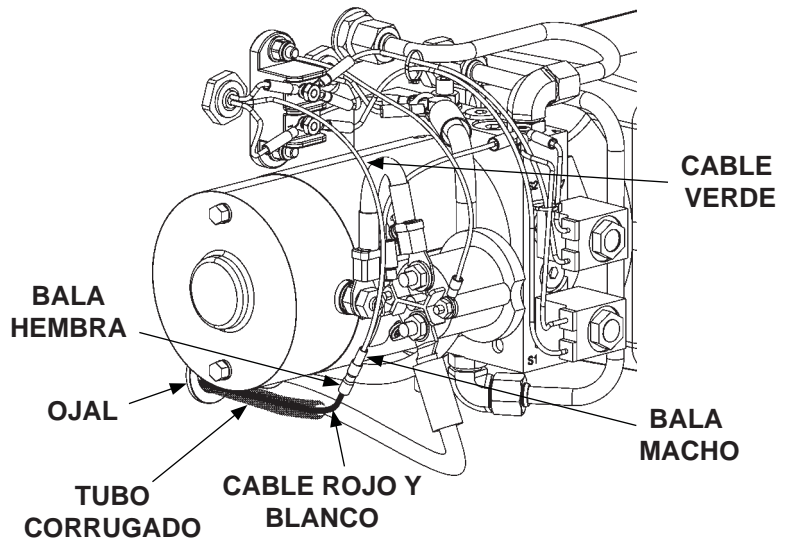
RETIRAR EL SOPORTE CON FUSIBLE
(GPTLR, MXT Y TE-33)
FIG. 44-2

5. Desconecte el soporte de fusible de la terminal 1 en el módulo ECU y la bala macho en el cable **VERDE** del interruptor de control (**FIG. 45-1**). Elimine el soporte de fusible. Después, vuelva a instalar la tuerca hex. en la terminal 1 en el módulo ECU. Aplique un torque de tuerca hex. de **15 lb-in [1.6 Nm]** máximo.



RETIRAR EL SOPORTE DE FUSIBLE DE LOS ELEVADORES TUK-A-WAY EQUIPADOS CON MÓDULO MAX ECU
FIG. 45-1

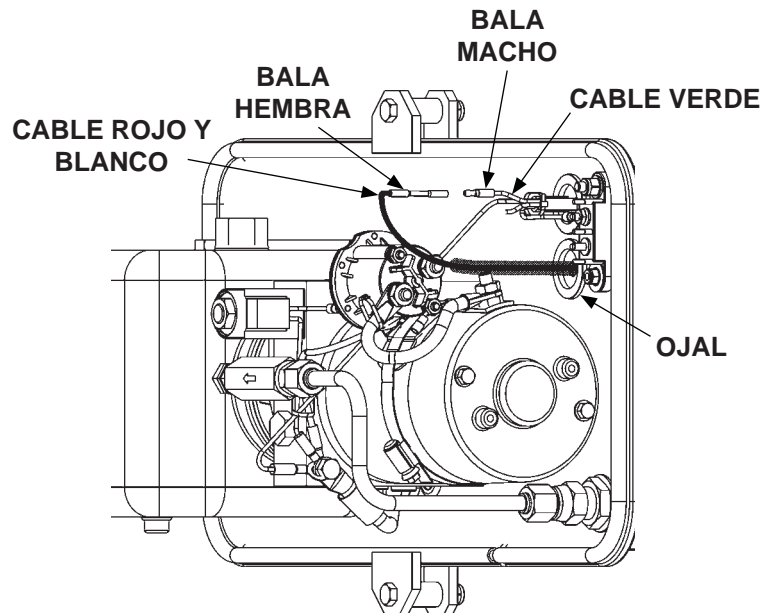
6. Instale la extensión del cable **ROJO/BLANCO** y el tubo termoretráctil (del interruptor en la cabina) a través del ojal en la placa de montaje de la bomba (**FIGS. 46-1 y 46-2**). Luego, conecte suficiente tubo termoretráctil para tener acceso en el cable. Luego corte el cable **ROJO/BLANCO** a la longitud que prevenga una tensión en las conexiones del cableado.



**CONECTAR EL CABLE ROJO/BLANCO
CON EL CABLE VERDE (GPT)**

FIG. 46-1

7. Pele el cable de insulación **ROJO/BLANCO** para instalar la terminal de bala hembra (art. de kit). Después, doble la bala hembra en en el cable (**FIGS. 46-1 y 46-2**).



**CONECTAR EL CABLE ROJO Y BLANCO
CON EL CABLE VERDE
(GPTLR, MXT & TE-33)**

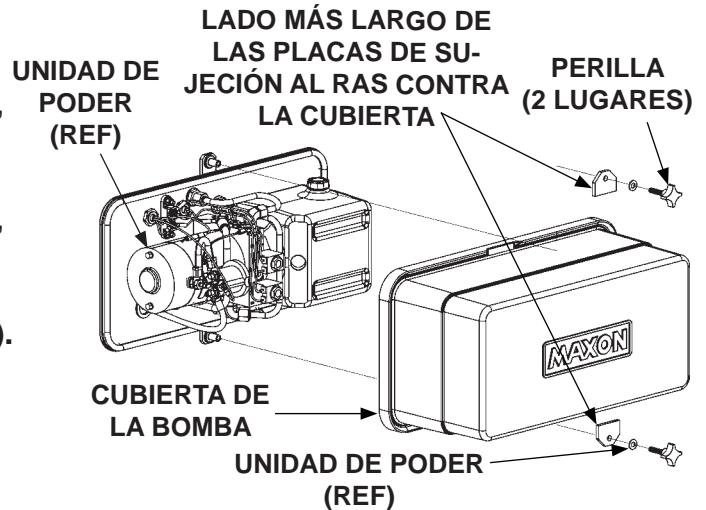
FIG. 46-2

8. Conecte la bala hembra en el cable **ROJO/BLANCO** a la bala macho en el cable **VERDE** (**FIGS. 46-1 y 46-2**).

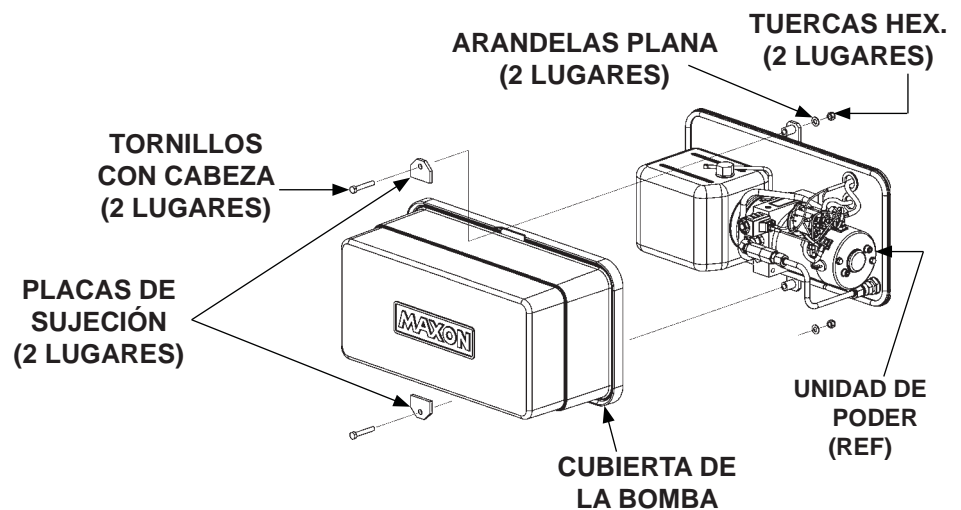
PRECAUCIÓN

La cubierta de la bomba debe estar asegurada correctamente para prevenir que se convierta en un riesgo. Para asegurar la cubierta de la bomba, el lado más largo de las placas de sujeción deben estar al ras de la cubierta de la bomba como se muestra en la ilustración.

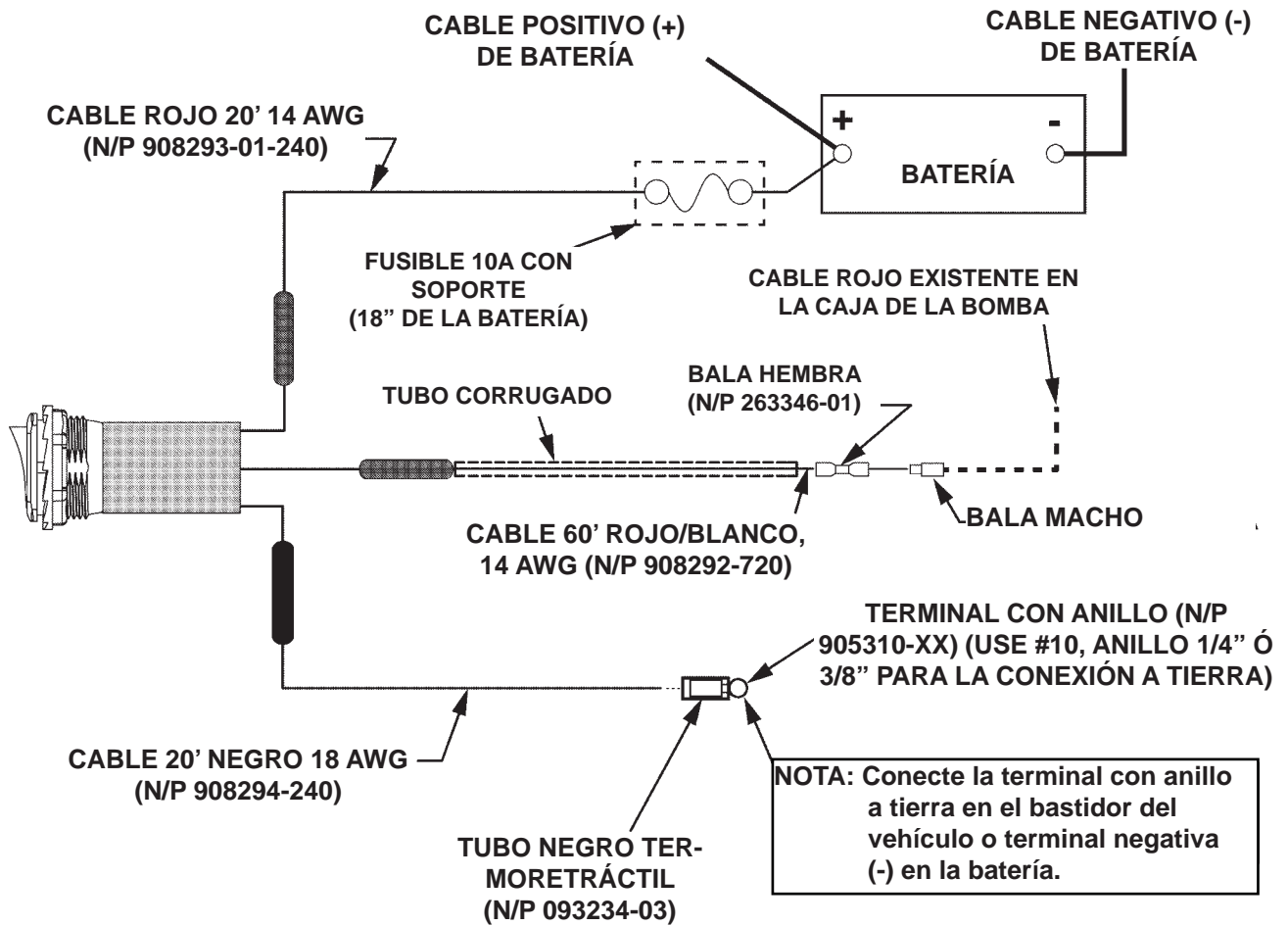
9. Atornillar la cubierta de la bomba como se muestra en las **FIGS. 47-1 y 47-2**. Para la cubierta de la bomba en el GPT, apriete manualmente las perillas con rosca en la cubierta (**FIG. 47-1**). Para las cubiertas de la bomba en el GPTLR, MXT y TE-33, aplique un torque en los pernos 5/16"-18 de la cubierta de 10-14 lb-ft [13.5 a 18.9 Nm] (**FIG. 47-2**).



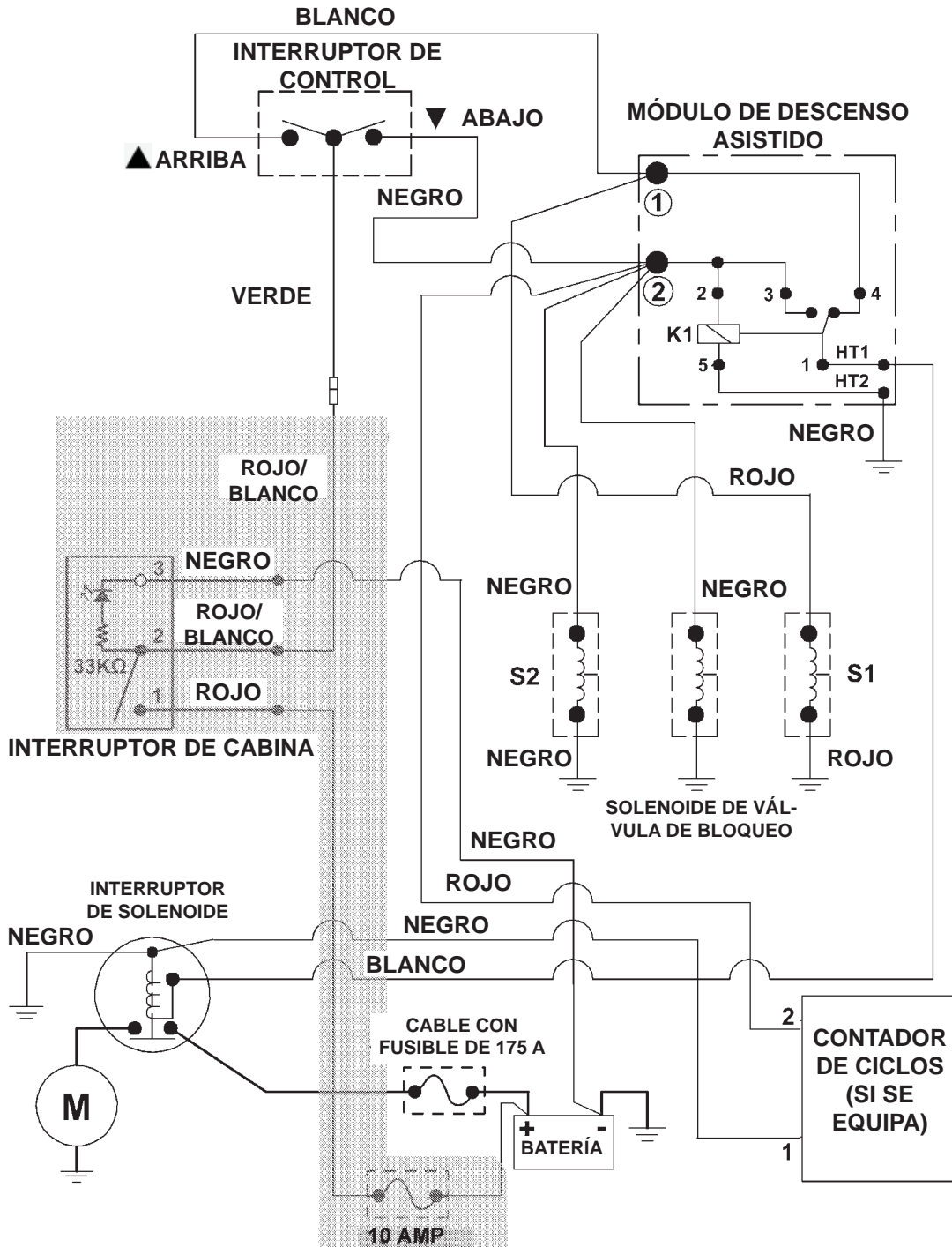
ATORNILLAR LA CUBIERTA DE LA BOMBA (GPT)
FIG. 47-1



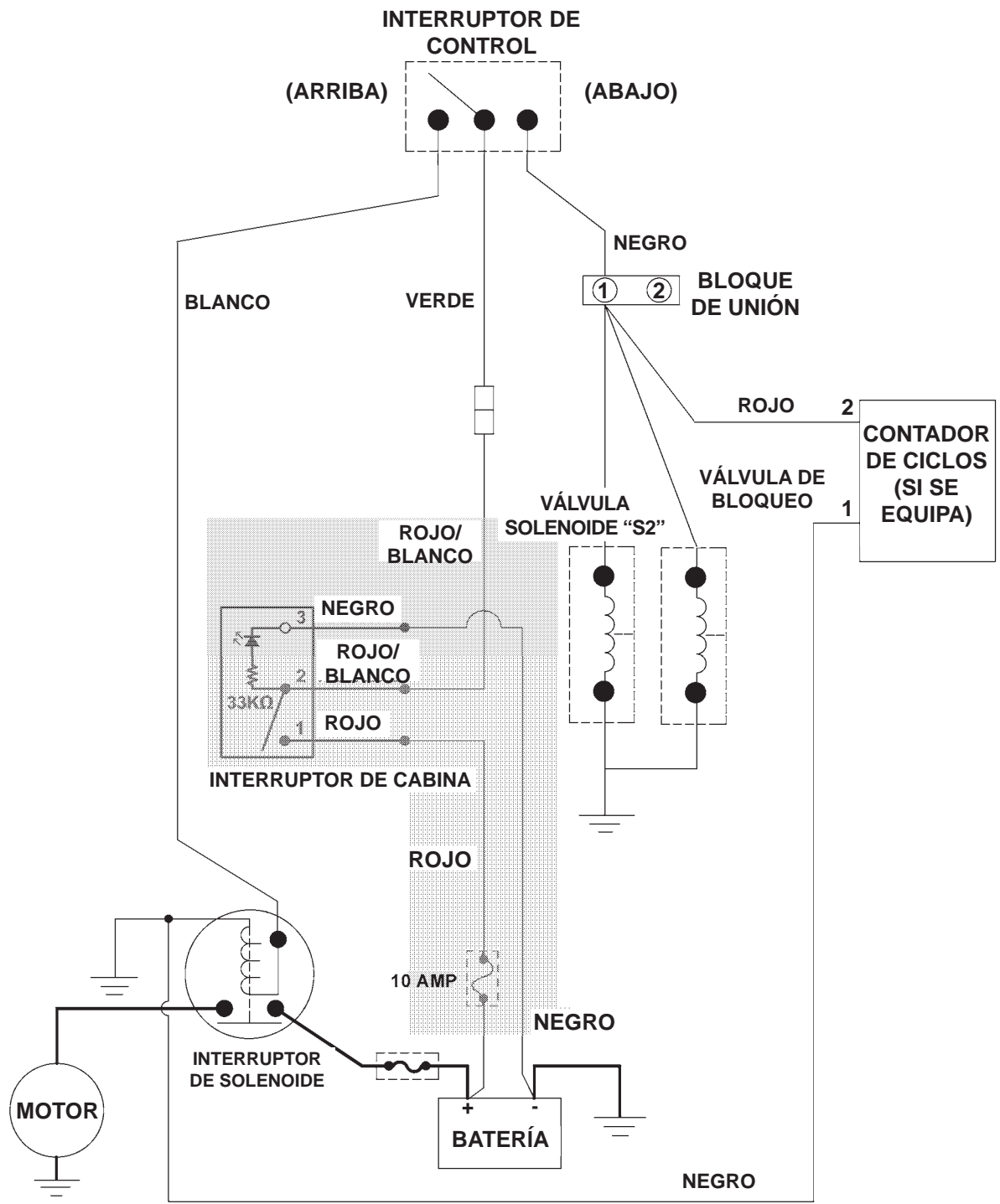
ATORNILLAR LA CUBIERTA DE LA BOMBA (GPTLR, MXT Y TE-33)
FIG. 47-2



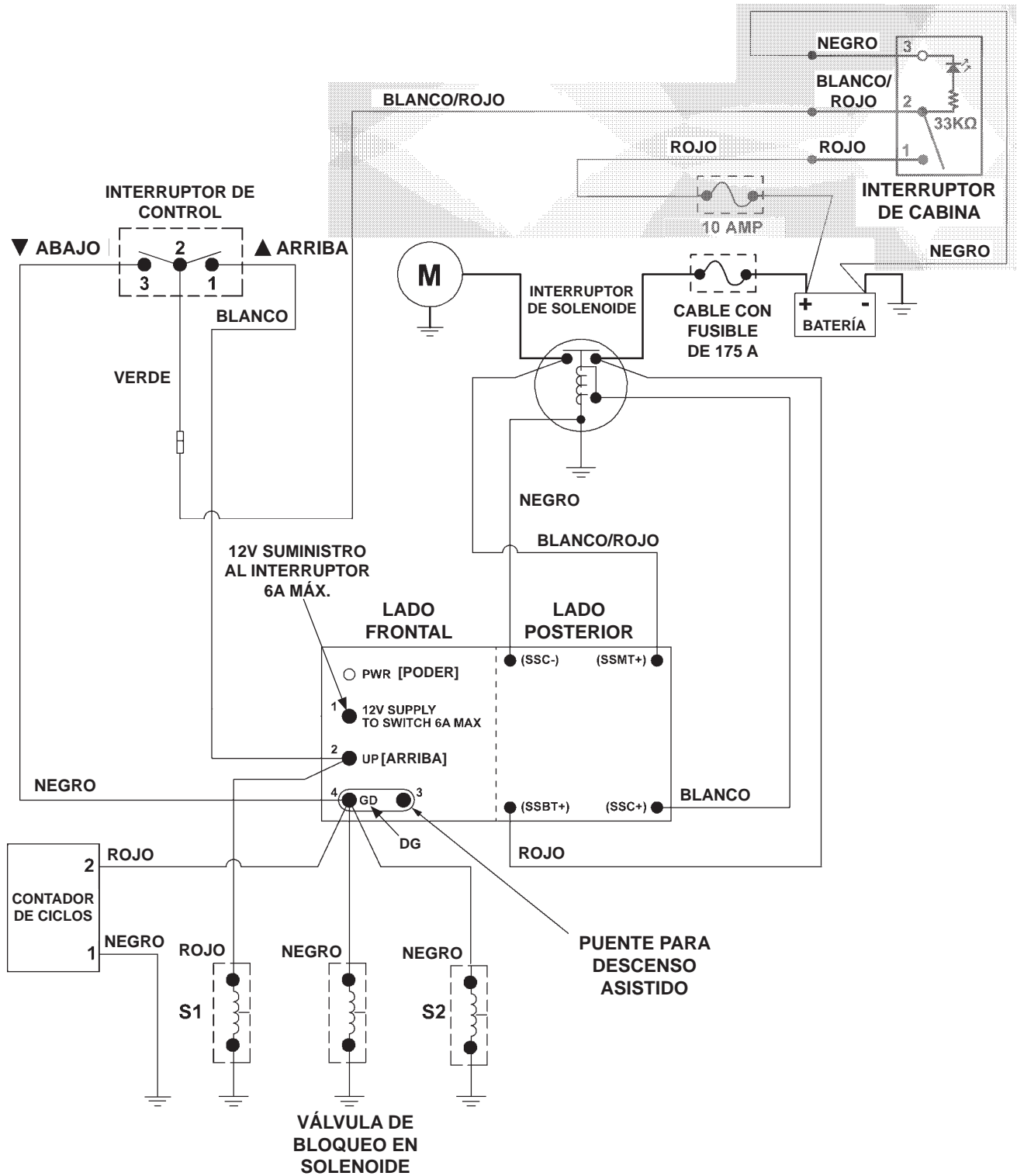
**DIAGRAMA DE CABLEADO PARA EL INTERRUPTOR DE CABINA DE TUK-A-WAY
FIG. 48-1**



ESQUEMA ELÉCTRICO TUK-A-WAY DESCENSO ASISTIDO
FIG. 49-1



**ESQUEMA ELÉCTRICO TUK-A-WAY DESCENSO POR GRAVEDAD
FIG. 50-1**



ESQUEMA ELÉCTRICO EN ELEVADORES TUK-A-WAY CON MÓDULO DE ARCO DE SUPRESIÓN FIG. 51-1

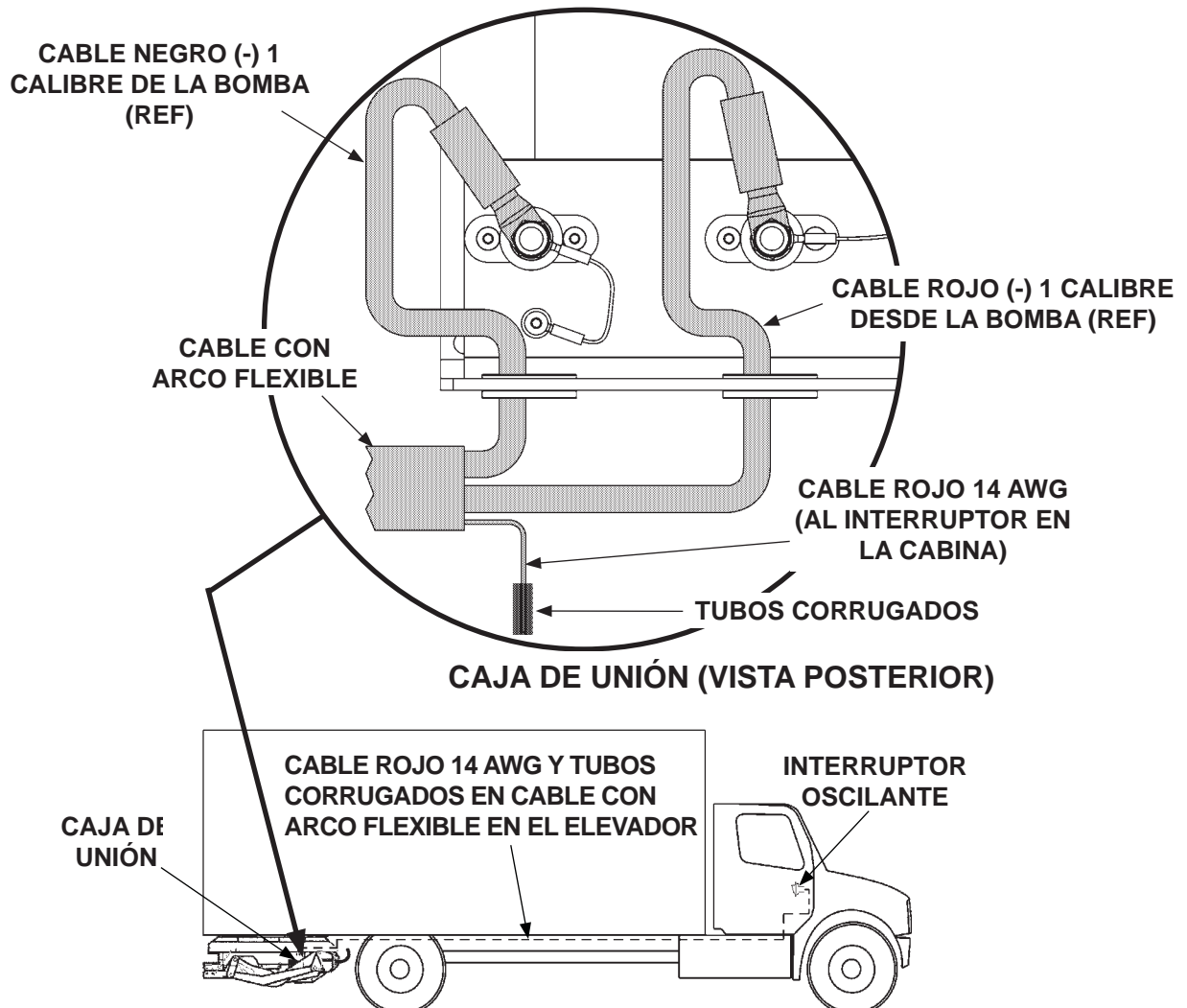
INSTALACIÓN COMÚN DE KIT EN GPLRT

PRECAUCIÓN

Nunca instale un cable energizado. Verifique que la batería del vehículo esté desconectada. Siempre instale los cables eléctricos lejos de partes en movimiento, líneas de freno, bordes filosos y sistemas de escape. Evite hacer dobleces pronunciados en el cableado. Ajuste de manera segura. Si es necesario taladrar, primero revise detrás de la superficie a taladrar para prevenir daños a cualquier línea de combustible, líneas de ventilación, de freno o cables.

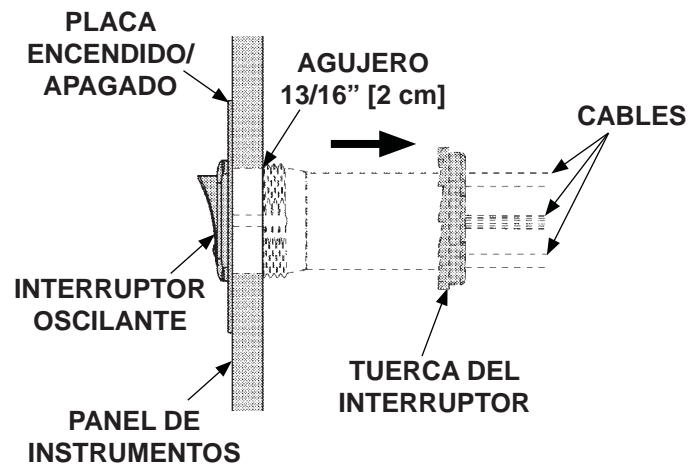
NOTA: Utilice un telar de plástico y cintillos (art. de kit) para asegurar las extensiones de cable y proteger el cable a lo largo de la instalación del cable.

1. Instale el cable **ROJO** (14 AWG) con el tubo corrugado a lo largo del chasis del tráiler, desde el arco en el cable flexible en la caja de unión, al interruptor oscilante en la cabina del camión (**FIGS. 52-1 y 53-1**).



INSTALAR CABLE ROJO Y BLANCO A LA CAJA DE LA BOMBA EN GPLRT
FIG. 52-1

2. En la cabina del camión, retire la tuerca que sostiene el interruptor en la cabina al panel de control (FIG. 53-1). Luego jale el interruptor, la placa y el cableado del panel para tener acceso cableado.
3. Corte el cable **ROJO** a la longitud que prevendrá una tensión en los cables mientras están conectados. Pele la insulación en el cable **ROJO** para instalar una terminal de bala macho de calibre 16-14 (art. de kit, N/P 263345-01). Después, doble la bala macho (art. de kit) en el cable **ROJO** (FIG. 53-2).



COLOCAR EL INTERRUPTOR AL PANEL DE INSTRUMENTOS FIG. 53-2

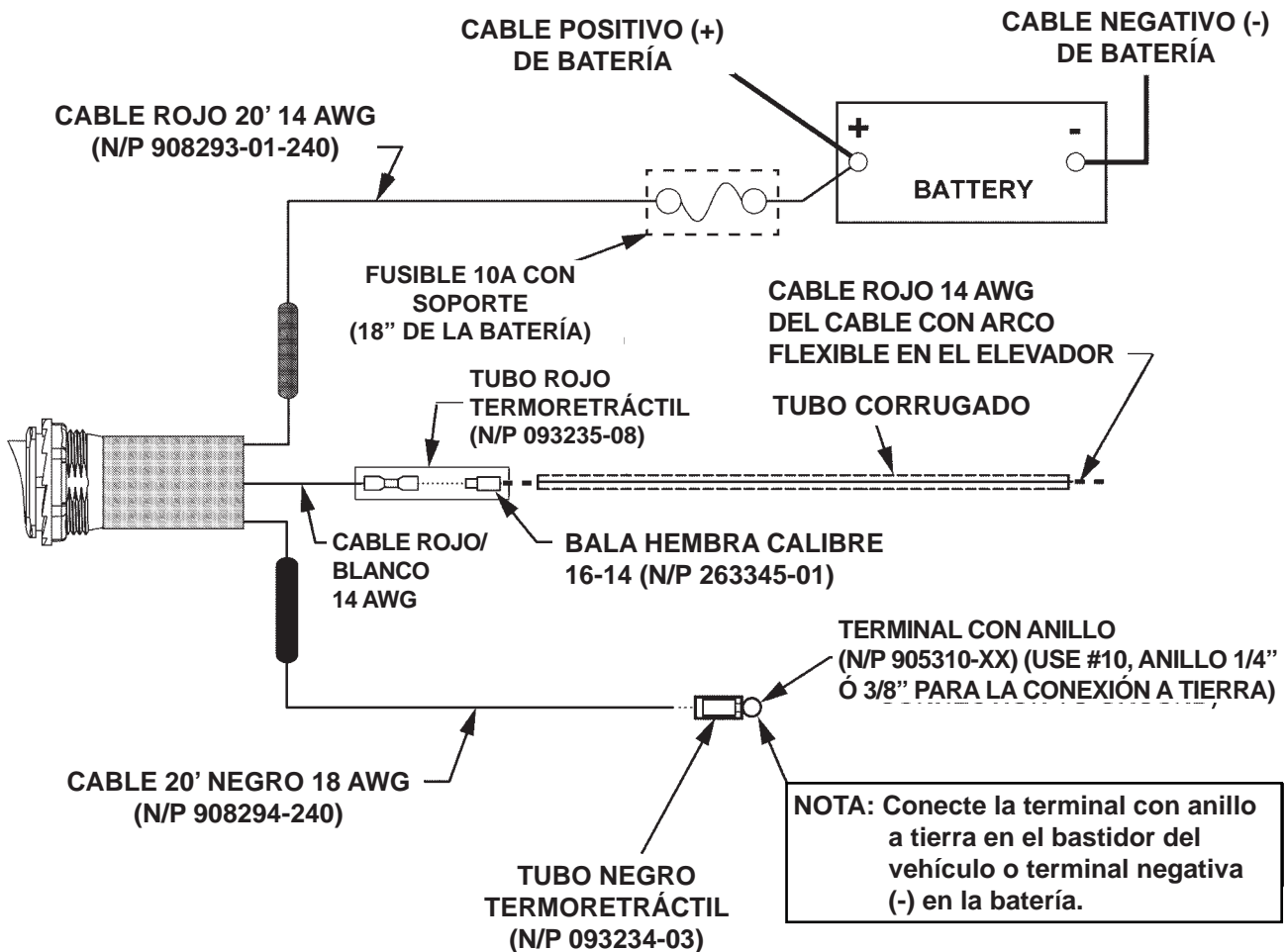
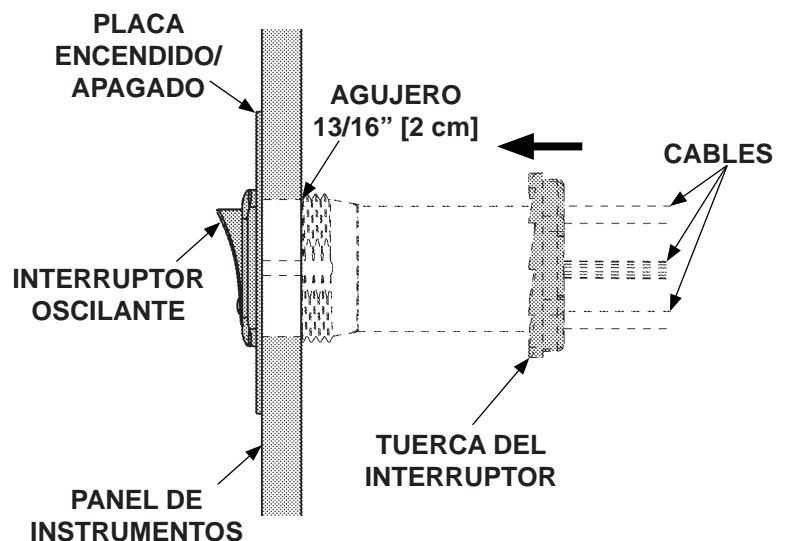
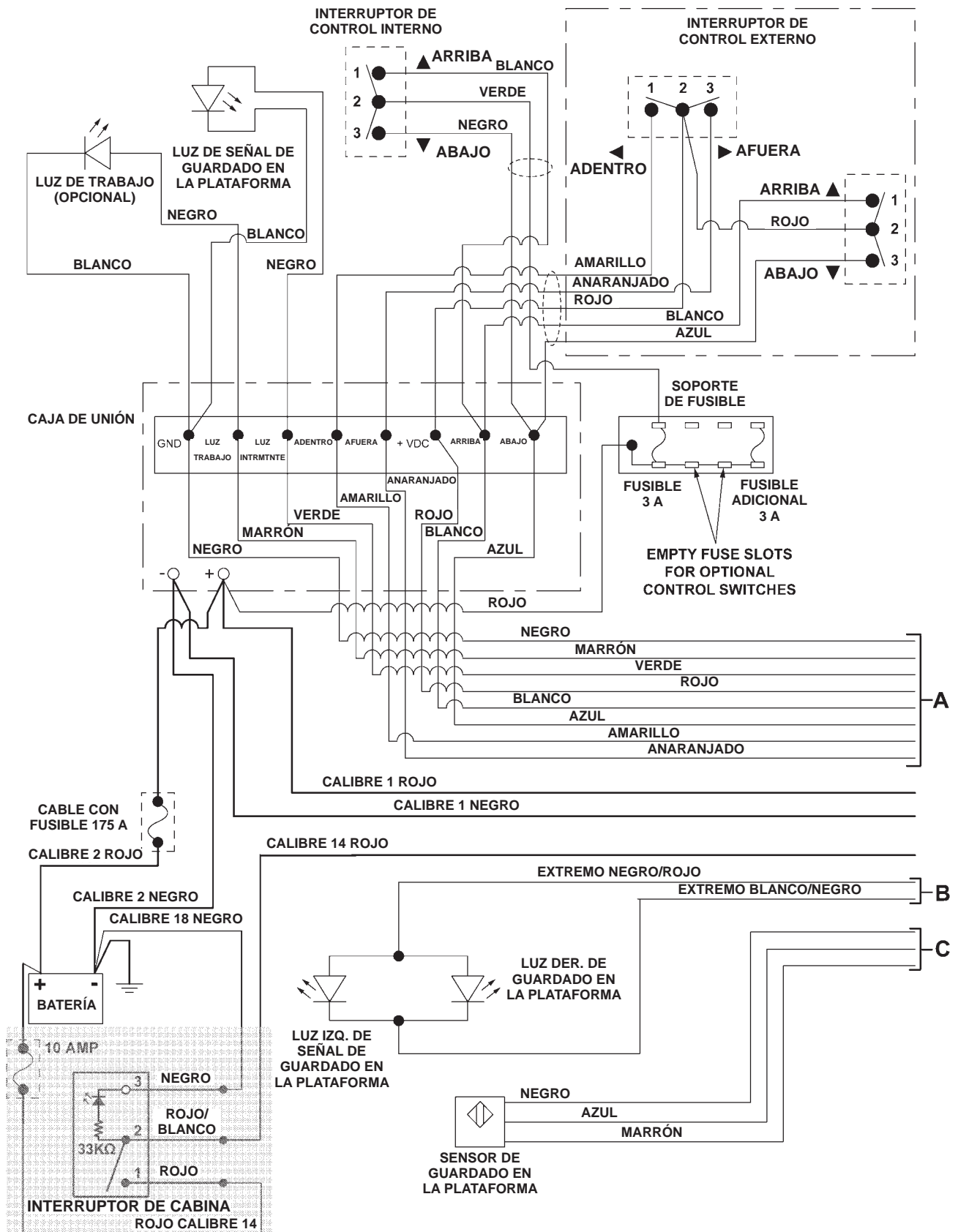


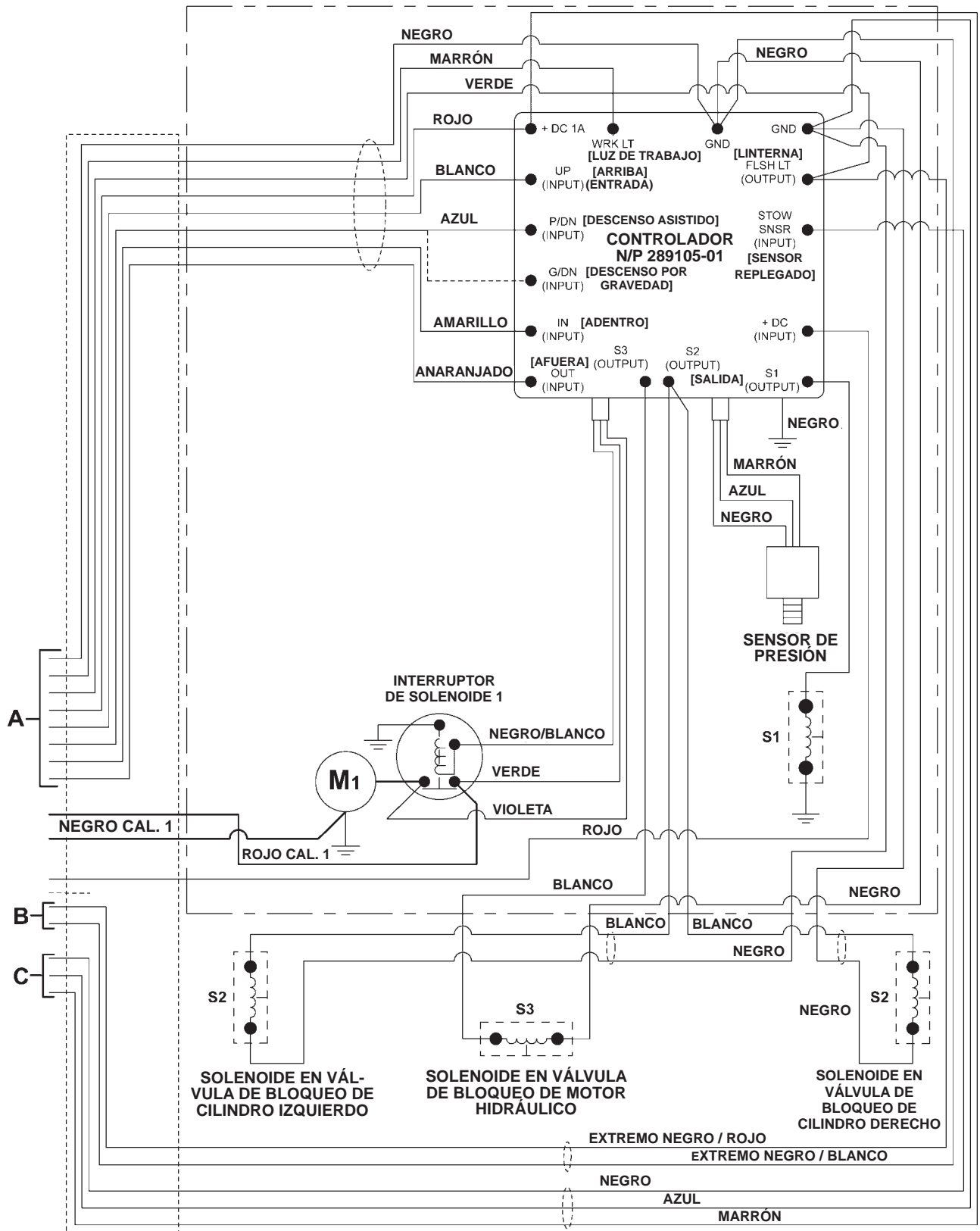
DIAGRAMA DE CABLEADO PARA EL INTERRUPTOR DE CABINA DE GPSLRT NUEVO FIG. 53-2

4. Coloque una pieza de tubo termoretráctil rojo (art. de kit item, N/P 093235-08) en el cable **ROJO/BLANCO (FIG. 53-2)**. Luego, conecte la bala macho en el cable **ROJO 14 AWG** a la bala hembra en el cable **ROJO/BLANCO** en el interruptor.
5. Centre el tubo termoretráctil, sobre los conectores acoplados en el cable **ROJO** y el cable **ROJO/BLANCO (FIG. 53-2)**. Caliente el tubo lo suficiente para encoger los tubos y sellar la conexión.
6. En la cabina, alimente los cables del interruptor oscilante a través del agujero de montaje de 13/16" [21 mm] hasta que el interruptor y la placa encendido/apagado estén al ras en contra del panel de instrumentos. Vuelva a instalar la tuerca para asegurar el interruptor y la placa encendido/apagado al panel de instrumentos (**FIG. 54-1**).



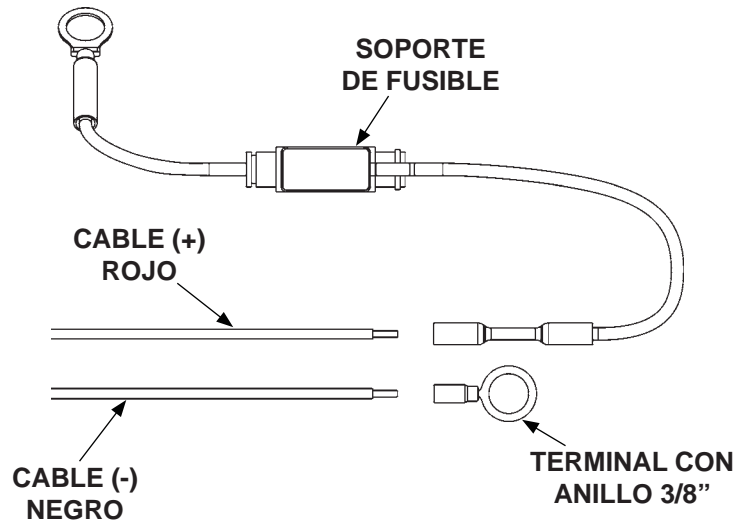
COLOCAR EL INTERRUPTOR AL PANEL DE INSTRUMENTOS FIG. 54-1





CONEXIONES INTERRUPTOR DE CABINA A LA BATERÍA

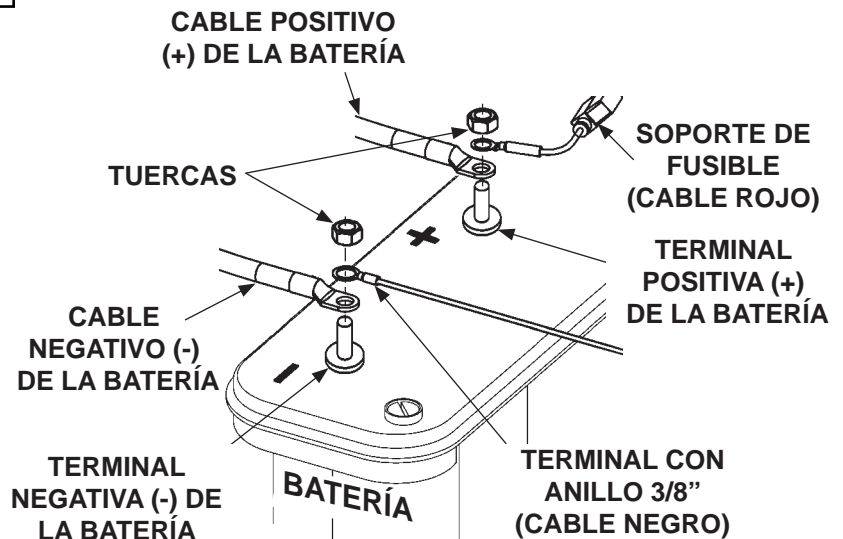
1. Doble el soporte de fusible (art. de kit) en el extremo de la extensión del cable **ROJO (+)**. Luego, doble la terminal con anillo 3/8" (art. de kit) en el extremo de la extensión del cable **NEGRO (-)** (FIG. 57-1).



INSTALAR EL SOPORTE DE FUSIBLE Y LA TERMINAL CON ANILLO FIG. 57-1

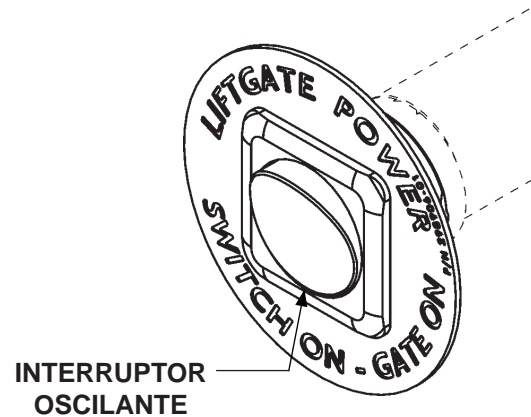
NOTA: El cable a tierra **NEGRO (-)** también se puede anclar al bastidor del vehículo.

2. Vuelva a conectar la energía a la bomba al conectar nuevamente el cable positivo (+) y el soporte de fusible en la extensión del cable **ROJO (+)** a la terminal de la batería (+) (FIG. 57-2). Instale y apriete la tuerca. Luego, vuelva a conectar el cable negativo (-) y la terminal con anillo 3/8" en la extensión del cable **NEGRO (-)** a la terminal negativa (-) de la batería (FIG. 57-2). Instale y apriete la tuerca.



VOLVER A CONECTAR LOS CABLES DE LA BATERÍA FIG. 57-2

3. Verifique de la siguiente manera que el interruptor para la cabina opera correctamente. Encienda el interruptor para la cabina (**FIG. 58-1**). El interruptor se ilumina y el elevador opera. Apague el interruptor para la cabina. La luz está apagada y el elevador no opera (**FIG. 58-1**).



**INTERRUPTOR PARA CABINA
FIG. 58-1**