

To search for your Maxon parts in this document, press Ctrl + F for Windows or Command + F for macOS to open the Search Box.



This parts manual covers all GPSLR's manufactured May 2013 to February 2024. If your model is older then please contact Maxon CS at 800.227.4116 or parts@maxonlift.com.

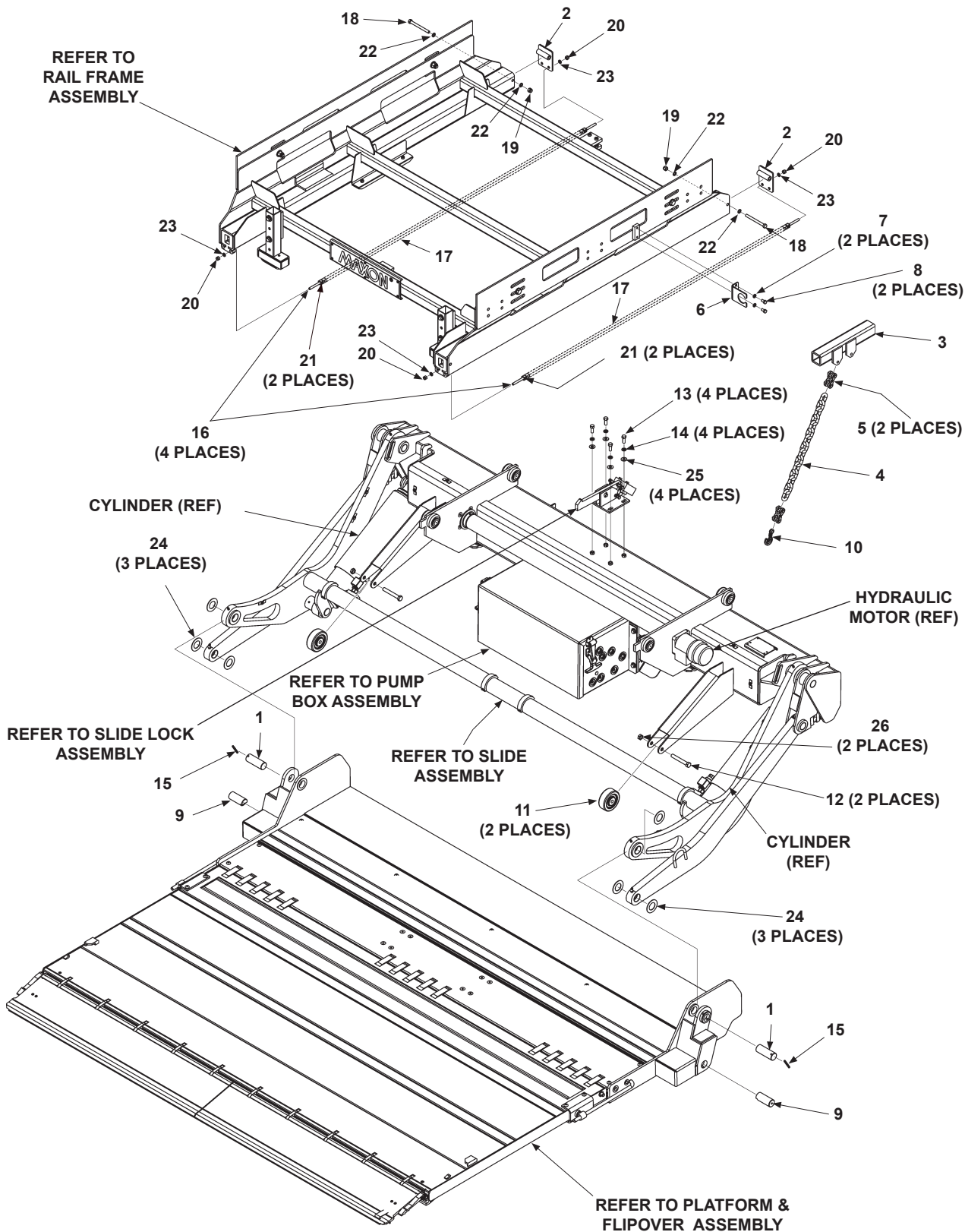
**SLIDELIFT®
GPSLR**

PARTS BREAKDOWN



MAIN ASSEMBLY WITH NO CONTROLLER

ITEM	QTY.	PART NO.	DESCRIPTION
1	2	RSM0052	SL15 DRILLED PIN (3.39"LG)
2	2	280082-01	ROLLER, OPENER,3.5 X 1.25 X .5
3	4	902001-2	WASHER, FLAT 3/8X1/16 ZC
4	6	908078-02	FB THRUST BEARING, 1.25 ID
5	4	902000-8	WASHER, FLAT .312 .063 THK
6	2	268514-01	BRACKET CONDUIT MNT
7	4	902011-3	WASHER, LOCK 5/16X5/64 G8 ZC
8	2	900009-1	SCREW, CAP .31-18X.63 GR8 ZC
9	2	285217-01	SL15 TILT ARM PIN (2.93")
10	2	900009-5	SCREW, CAP 5/16-18X1-1/4 G8 ZC
11	2	900033-10	SCREW, CAP.5-20X3.5 GR8 ZC
12	4	268263-01	LINK, CONNECTING,ANSI#50
13	4	900014-4	SCREW,HEX CAP.38-16X1,G8,ZC
14	4	902011-4	WASHER, LOCK 3/8X.094 ZC
15	2	905033-5	ROLL PIN .250 O.D.X2.00"LG
16	4	RSM0017	SL15 CHAIN ADJUSTER
17	2	268262-12	CHAIN, CRES, ANSI#50, 83 LINKS
18	2	901008	NUT, NYLON 1/2-20 ZC
19	4	901001	NUT, NYLON 5/16-18 ZINC
20	1	287133-01	MNTG LATCH CAINH WELDMENT
21	1	282866-07	CHAIN GALV. .38X18.10 LG
22	2	285989-01	CHAIN SHACKLE
23	1	225990	HOOK, SNAP 3/4X4 750# ZINC

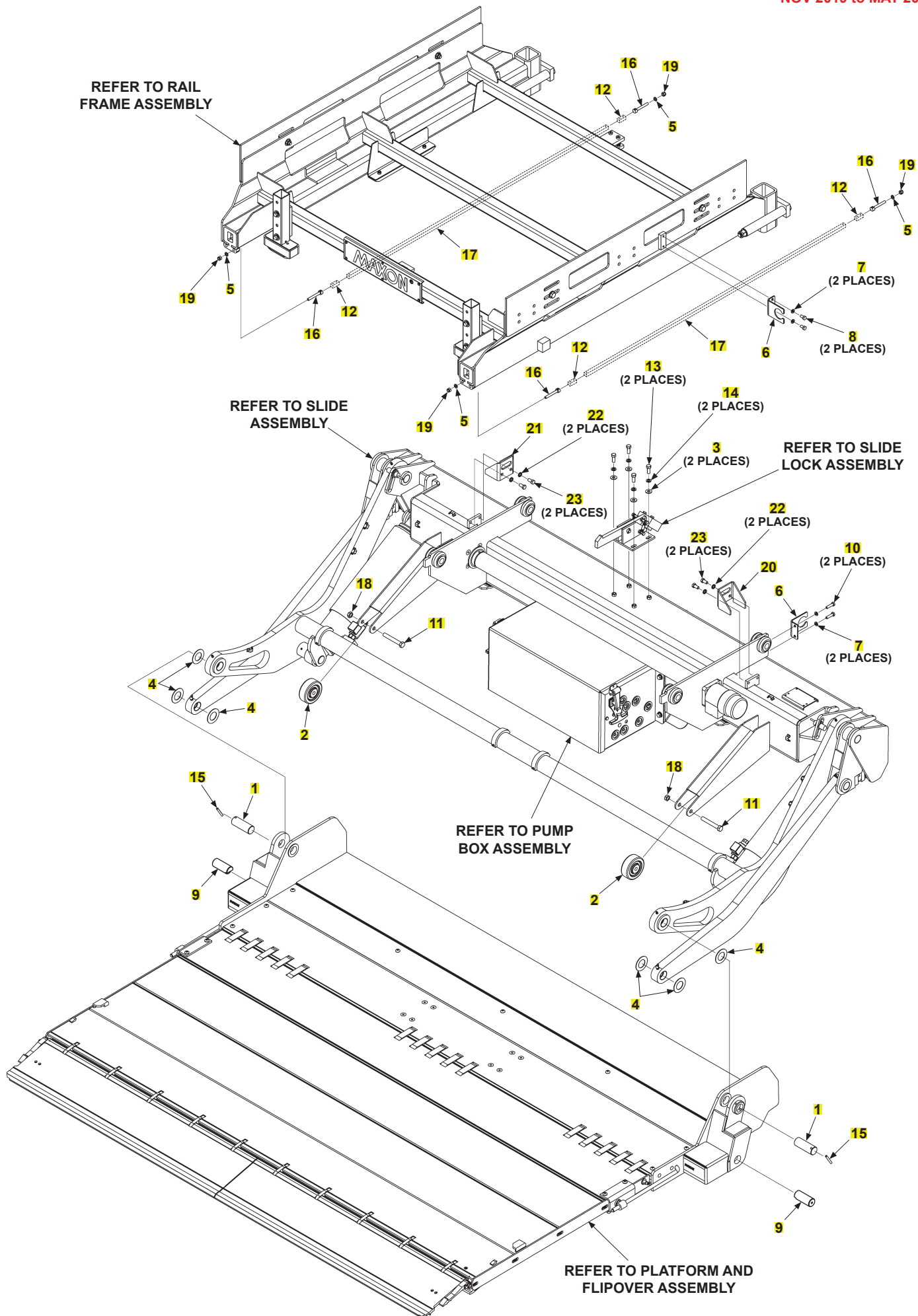


MAIN ASSEMBLY WITH NO CONTROLLER

ITEM	QTY.	PART NO.	DESCRIPTION
1	2	RSM0052	DRILLED PIN, 3-13/32" LG.
2	2	RSM0110	FRAME CAP WELDMENT
3	1	287133-01	LATCH CHAIN MOUNTING WELDMENT
4	1	282866-07	CHAIN, GALVANIZED, 3/8" X 18" LG.
5	2	285989-01	CHAIN SHACKLE
6	1	268514-01	CONDUIT BRACKET
7	4	902011-3	LOCK WASHER, 5/16"
8	2	900009-1	CAP SCREW, 5/16"-18 X 5/8" LG.
9	2	285217-01	TILT ARM PIN , 15/16"
10	1	225990	SNAP HOOK, 3/4" X 4" LG.
11	2	280082-01	ROLLER, OPENER, 3-1/2" X 1-1/4" X 1/2" (58" & 62" MODELS ONLY)
12	2	900033-10	CAP SCREW, 1/2"-20 X 3-1/2", GRADE 8 (58" & 62" MODELS ONLY)
13	4	900014-4	CAP SCREW, 3/8"-16 X 1" LG.
14	4	902011-4	LOCK WASHER, 3/8"
15	2	905033-5	ROLL PIN, 1/4" X 2" LG.
16	4	RSM0017	CHAIN ADJUSTER
17	2	268262-09	CHAIN, ANSI #50, 90 LINKS
18	2	900014-14	CAP SCREW, 3/8"-16 X 4" LG.
19	2	901002	LOCK NUT, 3/8"-16
20	4	901001	LOCK NUT, 5/16"-18
21	4	268263-01	CONNECTING LINK, ANSI #50
22	4	902000-10	FLAT WASHER, 3/8"
23	4	902000-8	FLAT WASHER, 5/16"
24	6	908078-02	THRUST BEARING, 1-1/4" I.D.
25	4	902001-2	FLAT WASHER, 3/8"
26	2	901008	NYLON NUT, 1/2"-20 (58" & 62" MODELS ONLY)

MAIN ASSEMBLY WITH SMART STOW

LAST UPDATED
NOV 2019 to MAY 2020

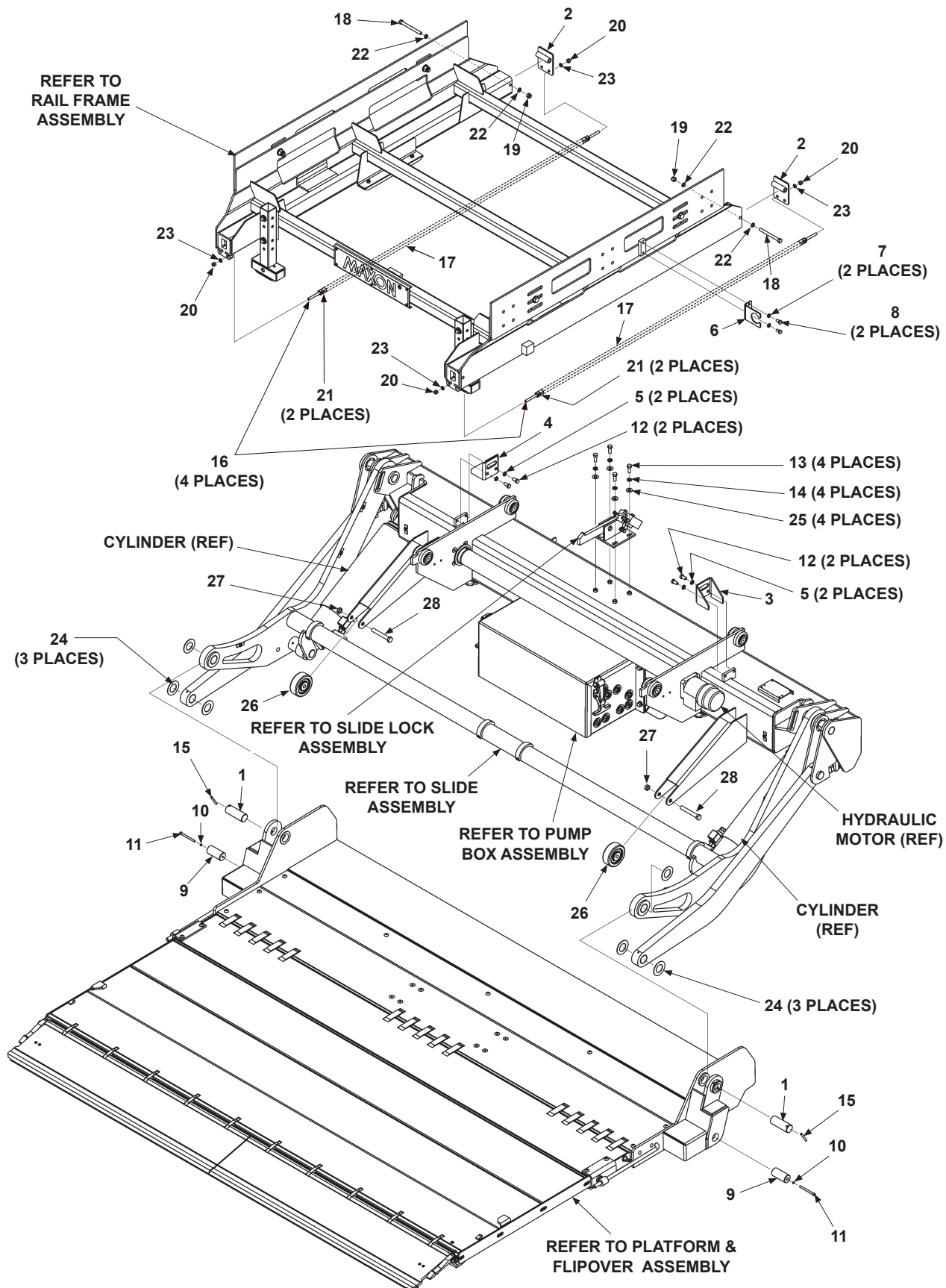


MAIN ASSEMBLY WITH SMART STOW

ITEM	QTY.	PART NO.	DESCRIPTION
1	2	RSM0052	SL15 DRILLED PIN (3.39"LG)
2	2	280082-01	ROLLER, OPENER,3.5 X 1.25 X .5
3	4	902001-2	WASHER, FLAT 3/8X1/16 ZC
4	6	908078-02	FB THRUST BEARING, 1.25 ID
5	4	902000-8	WASHER, FLAT .312 .063 THK
6	2	268514-01	BRACKET CONDUIT MNT
7	4	902011-3	WASHER, LOCK 5/16X5/64 G8 ZC
8	2	900009-1	SCREW, CAP .31-18X.63 GR8 ZC
9	2	285217-01	SL15 TILT ARM PIN (2.93")
10	2	900009-5	SCREW, CAP 5/16-18X1-1/4 G8 ZC
11	2	900033-10	SCREW, CAP.5-20X3.5 GR8 ZC
12	4	268263-01	LINK, CONNECTING,ANSI#50
13	4	900014-4	SCREW,HEX CAP.38-16X1,G8,ZC
14	4	902011-4	WASHER, LOCK 3/8X.094 ZC
15	2	905033-5	ROLL PIN .250 O.D.X2.00"LG
16	4	RSM0017	SL15 CHAIN ADJUSTER
17	2	268262-12	CHAIN, CRES, ANSI#50, 83 LINKS
18	2	901008	NUT, NYLON 1/2-20 ZC
19	4	901001	NUT, NYLON 5/16-18 ZINC
20	1	283341-01	BRKT, PROX SWITCH OUT
21	1	283341-02	BRKT, PROX SWITCH IN
22	4	903435-06	WASHER, NORD-LOCK, .38/M10, ZC
23	4	900014-3	SCREW,HEX CAP.38-16X.75 GR8,ZC

MAIN ASSEMBLY WITH SMART STOW

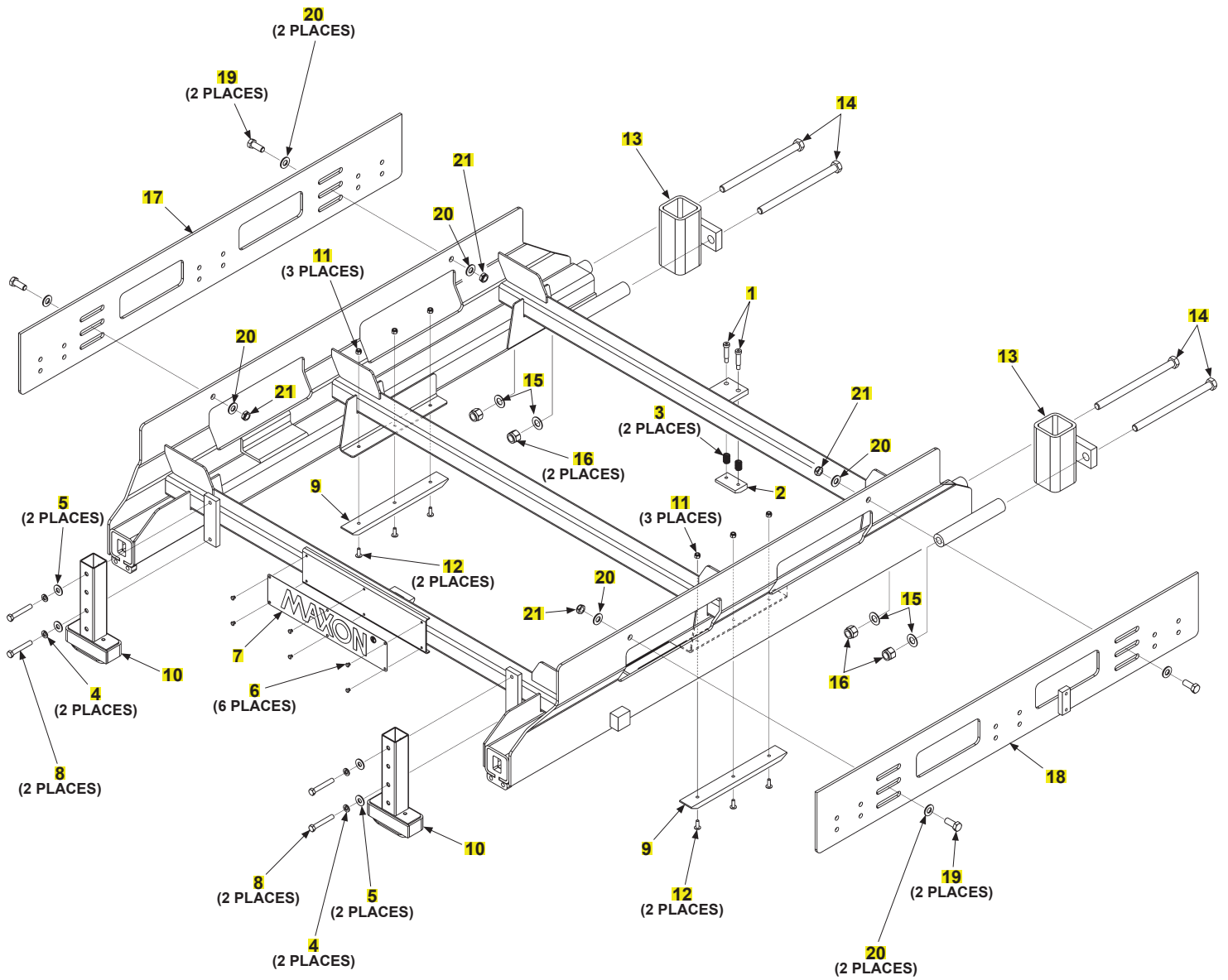
LAST UPDATED
MAY 2013 to OCT 2019



MAIN ASSEMBLY WITH SMART STOW

ITEM	QTY.	PART NO.	DESCRIPTION
1	2	RSM0052	DRILLED PIN, 3-13/32" LG.
2	2	RSM0110	FRAME CAP WELDMENT
3	1	283341-01	PROXIMITY SWITCH OUT BRACKET (SMART STOW ONLY)
4	1	283341-02	PROXIMITY SWITCH IN BRACKET (SMART STOW ONLY)
5	4	903435-06	LOCK WASHER, NORD-LOCK, 3/8" (M10) (SMART STOW ONLY)
6	1	268514-01	CONDUIT BRACKET
7	4	902011-3	LOCK WASHER, 5/16"
8	2	900009-1	CAP SCREW, 5/16"-18 X 5/8" LG.
9	2	RSM0051	PIN, 2-11/16" LG.
10	2	903440-01	LOCK WASHER, 1/4"
11	2	900025-11	SOCKET SCREW, 1/4"-20 X 2-3/4" LG.
12	4	900000-3	HEX BOLT, 1/4"-20 X 3/4" GRADE 8 (SMART STOW ONLY)
13	4	900014-4	CAP SCREW, 3/8"-16 X 1" LG.
14	4	902011-4	LOCK WASHER, 3/8"
15	2	905033-5	ROLL PIN, 1/4" X 2" LG.
16	4	RSM0017	CHAIN ADJUSTER
17	2	268262-03	CHAIN, ANSI #50, 85 LINKS
18	2	900014-14	CAP SCREW, 3/8"-16 X 4" LG.
19	2	901002	LOCK NUT, 3/8"-16
20	4	901001	LOCK NUT, 5/16"-18
21	4	268263-01	CONNECTING LINK, ANSI #50
22	4	902000-10	FLAT WASHER, 3/8"
23	4	902000-8	FLAT WASHER, 5/16"
24	6	908078-02	THRUST BEARING, 1-1/4" I.D.
25	4	902001-2	FLAT WASHER, 3/8"
26	2	280082-01	ROLLER, OPENER, 3-1/2" X 1-1/4" X 1/2" (58" & 62" MODELS ONLY)
27	2	901008	NYLON NUT, 1/2"-20 (58" & 62" MODELS ONLY)
28	2	900033-10	CAP SCREW, 1/2"-20 X 3-1/2", GRADE 8 (58" & 62" MODELS ONLY)

COMPLETE ASSEMBLY:
RAIL FRAME ASSEMBLY

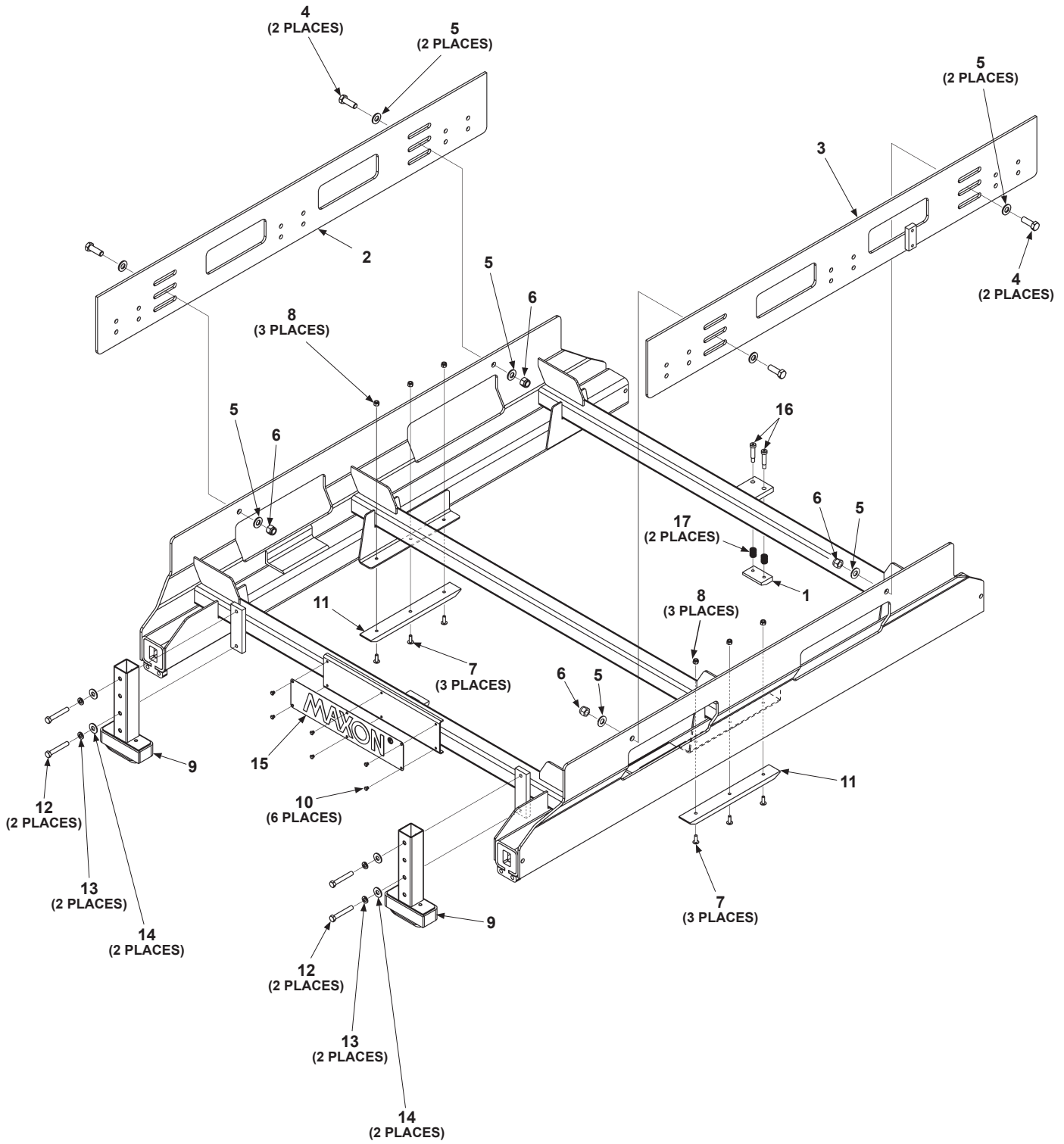


RAIL FRAME ASSEMBLY

ITEM	QTY.	PART NO.	DESCRIPTION
REF	1	268495-01	FR ASSY,SL RAILS,W/MT PL,58IN
		285350-01	FR ASSY,SL RAILS,W/MT PL,70"
1	2	900723-07	SCREW,SHLDR.38 X1.25 LG,SS
2	1	283527-01	MECH, LATCH PLATE
3	2	283528-01	SPRING, LATCH
4	4	902011-4	WASHER, LOCK 3/8X.094 ZC
5	4	903442-03	WASHER, FLAT, USS, GR8, .38
6	6	207644-01	RIVET BLND.19 X.45 DOME
7	1	050175	PLATE, MAXON HORZ 3.25X15X.032
8	4	900014-10	SCREW,HEX CAP.38-16X2.5,G8,ZC
9	2	268492-01	BAR,UHMW,CHAIN GUARD
10	2	268508-02	PARK STOP ASSY,W/BUFFER
11	6	901000	NUT, NYLON 1/4-20 ZINC
12	6	900725-03	SCREW,FLNG,HEX SKT.25-20X.75
13	2	296455-01	BACK STOP WELDT
14	4	900055-27	SCREW,HEX HEAD.625-11UNC X9.5
15	4	902000-18	WASHER, FLAT .625 .063 THK
16	4	040156	NUT, LOCK 5/8-11 GR8
17	1	268477-01	PLATE, SL FRAME MNT, 48"
		285355-01	PLATE,SL FRAME MNT,60"
18	1	268518-01	PL WLDMT, SL FRAME MNT, 51"
		285354-01	PL WLDMT,SL FRAME MNT,60"
19	4	900033-2	SCREW, CAP.5-20X1.25 GR8 ZC
20	8	902013-13	WASHER, FLAT 1/2" SAE ZC
21	4	901016-1	NUT HEX THN HD LKG.500-20UNF

RAIL FRAME ASSEMBLY

LAST UPDATED
MAY 2013 to OCT 2019

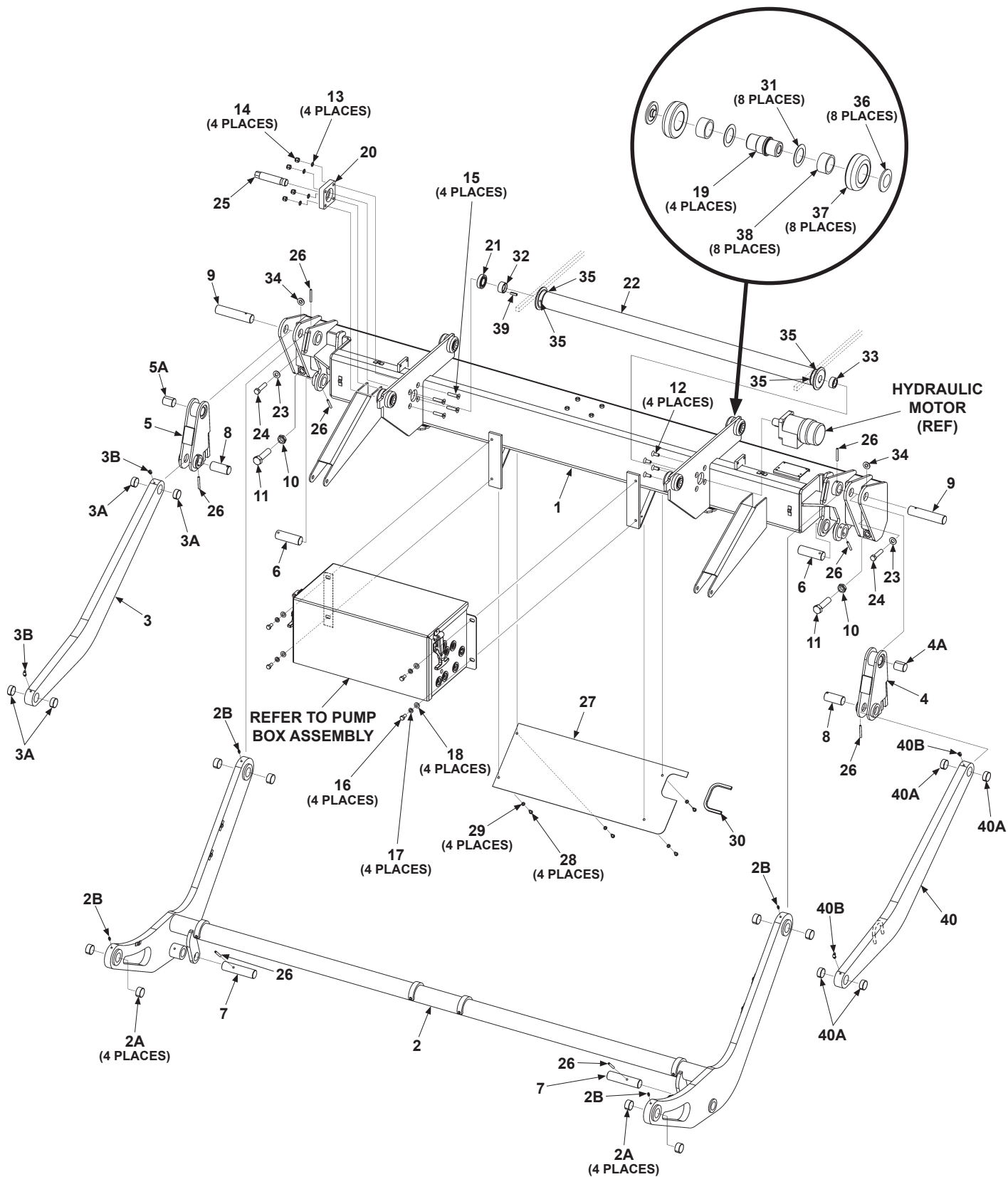


RAIL FRAME ASSEMBLY

ITEM	QTY.	PART NO.	DESCRIPTION
REF	1	268495-01	SLIDE RAIL FRAME ASSEMBLY WITH MOUNTING PLATE, 58"
		268495-01G	SLIDE RAIL FRAME ASSEMBLY WITH MOUNTING PLATE, 58", GALVANIZED
		268495-03	SLIDE RAIL FRAME ASSEMBLY WITH MOUNTING PLATE, 62"
		268495-3G	SLIDE RAIL FRAME ASSEMBLY WITH MOUNTING PLATE, 62", GALVANIZED
		285350-01	SLIDE RAIL FRAME ASSEMBLY WITH MOUNTING PLATE, 70"
1	1	283527-02	MECHANICAL LATCH PLATE
2	1	268477-01	FRAME MOUNT PLATE, LH, 48"
		268477-03	FRAME MOUNT PLATE, LH, 52"
		285355-01	FRAME MOUNT PLATE, LH, 60"
3	1	268518-01	FRAME MOUNT PLATE, RH, 48"
		268518-03	FRAME MOUNT PLATE, RH, 52"
		285354-01	FRAME MOUNT PLATE, RH, 60"
4	4	900033-2	CAP SCREW, 1/2"-20 X 1-1/4" LG.
5	8	903443-10	WASHER, 1/2"
6	4	901016-1	LOCK NUT, 1/2"-20
7	6	900725-03	FLANGE SCREW, 1/2"-20 X 3/4" LG.
8	6	901000	LOCK NUT, 1/4"-20
9	2	268508-02	PARK STOP ASSEMBLY, WITH BUFFER
		268508-02G	PARK STOP ASSEMBLY, WITH BUFFER, GALVANIZED
10	6	207644-01	POP RIVET, 3/16" X .45" DOME
11	2	268492-01	CHAIN GUARD BAR
12	4	900014-10	CAP SCREW, 3/8"-16 X 2-1/2", GRADE 8
13	4	902011-4	LOCK WASHER, 3/8"
14	4	903442-03	FLAT WASHER, 3/8", GRADE 8
15	1	050175	MAXON PLATE
16	2	900723-07	SHOULDER SCREW, 3/8" X 1-1/4" LG.
17	2	283528-01	LATCH SPRING

SLIDE ASSEMBLY WITH OPENER

LAST UPDATED
MAY 2013 to FEB 2024

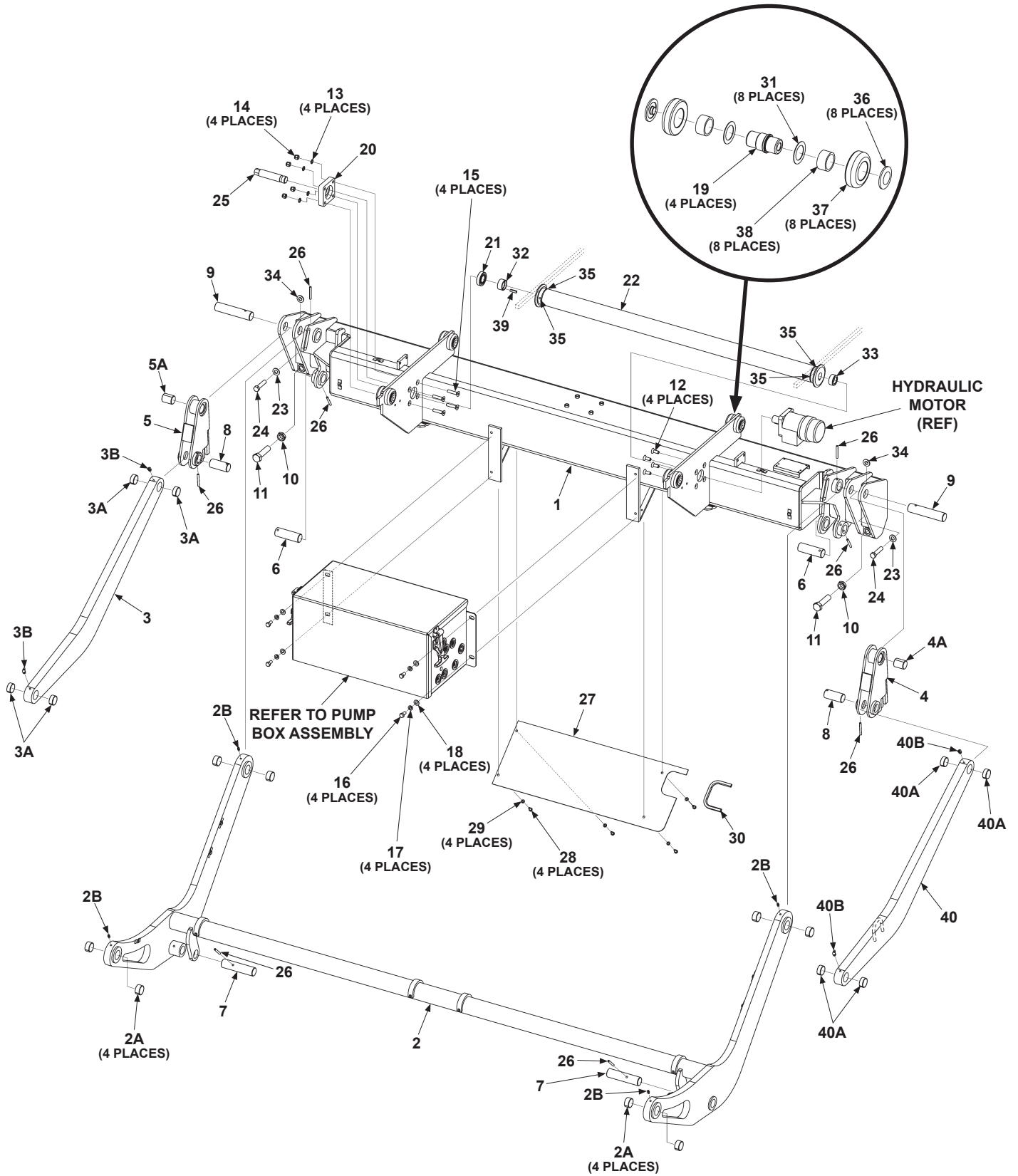


SLIDE ASSEMBLY WITH OPENER

ITEM	QTY.	PART NO.	DESCRIPTION
1	1	285537-01	BEAM WELDMENT ASSEMBLY WITH OPENER
		285537-01G	BEAM WELDMENT ASSEMBLY WITH OPENER, GALVANIZED
		285537-02	BEAM W/ASSY W/O,N/BRKT
2	1	RSM0005	LIFT ARM ASSEMBLY
		RSM0005G	LIFT ARM ASSEMBLY, GALVANIZED
2A	8	908046-07	SELF LUBE BEARING, 1-1/4" X 1-3/8" X 11/16"
2B	4	NPI6	GREASE NIPPLE, KNOCK IN
3	1	RSM0006	TILT ARM
3A	4	908046-06	SELF LUBE BEARING, 1-1/4" X 1-3/8" X 9/16"
3B	2	906796-01	LUBE FITTING, 45°
4	1	RSM0060-01	SWING BRACKET, RH
		RSM0060-01G	SWING BRACKET, RH, GALVANIZED
4A	1	908046-04	SELF LUBE BEARING, 1-1/4" X 1-3/8" X 1-1/2" LG.
5	1	RSM0060-02	SWING BRACKET, LH
		RSM0060-02G	SWING BRACKET, LH, GALVANIZED
5A	1	908046-04	SELF LUBE BEARING, 1-1/4" X 1-3/8" X 1-1/2" LG.
6	2	RSM0054	LIFT ARM PIN, 3-15/32" LG.
7	2	RSM0057	LIFT RAM PIN, 5-1/8" LG.
8	2	RSM0055	LIFT ARM PIN, 2-13/16" LG.
9	2	RSM0053	LIFT ARM PIN, 5-3/4" LG.
10	2	251288	THIN LOCK NUT, 3/4"-10
11	2	900032-4	HEX SCREW, 3/4"-10 X 3" LG.
12	4	900040-4	SOCKET SCREW, 3/8"-16 X 1" LG.
13	4	902000-9	FLAT WASHER, 3/8"
14	4	901002	LOCK NUT, 3/8"-16
15	4	900040-7	SOCKET SCREW, 3/8"-16 X 1-3/4" LG.
16	4	900014-3	CAP SCREW, 3/8"-16 X 3/4" LG, GRADE 8
17	4	902011-4	LOCK WASHER, 3/8"
18	4	903443-08	FLAT WASHER, 3/8"
19	4	289236-01	SHAFT
20	1	RSM0107	BEARING HOUSING
21	1	268265-01	ROLLER BEARING
22	1	RSM0059	SPROCKET ASSEMBLY
		RSM0059G	SPROCKET ASSEMBLY, GALVANIZED
23	2	902013-13	FLAT WASHER, 1/2"
24	2	900035-6	CAP SCREW, 1/2"-13 X 2-1/4"
25	1	268294-01	MANUAL DRIVE SHAFT
26	8	905033-5	ROLL PIN, 1/4" X 2" LG.
27	1	268521-01	KICK PANEL PLATE
		268521-01G	KICK PANEL PLATE, GALVANIZED
28	4	900004-1	CAP SCREW, 1/4"-20 X 1/2" LG.
29	4	902011-2	LOCK WASHER, 1/4"
30	1	093209-10	EDGE TRIM
31	8	903460-01	SHIM WASHER, 1" I.D. X 1-1/2" O.D.
32	1	268561-02	SPROCKET ALIGN BUSHING, LH
33	1	268561-01	SPROCKET ALIGN BUSHING, RH
34	2	908022-06	PLUG
35	4	903006-2	HEX SET SCREW, FLAT PT, 5/16"-18 X 1/4" LG.
36	8	289251-01	ROLLER INSERT
37	8	289238-01	BEARING ROLLER CASE
38	8	289237-01	BUSHING, HIGH STRESS, 1/8"
39	1	285803-01	BLOCK
40	1	287137-01	TILT ARM ASSEMBLY, WITH HOOK
		287137-01G	TILT ARM ASSEMBLY, WITH HOOK, GALVANIZED
40A	4	908046-06	SELF LUBE BEARING, 1-1/4" X 1-3/8" X 9/16"
40B	2	906796-01	LUBE FITTING, 45°

SLIDE ASSEMBLY WITHOUT OPENER

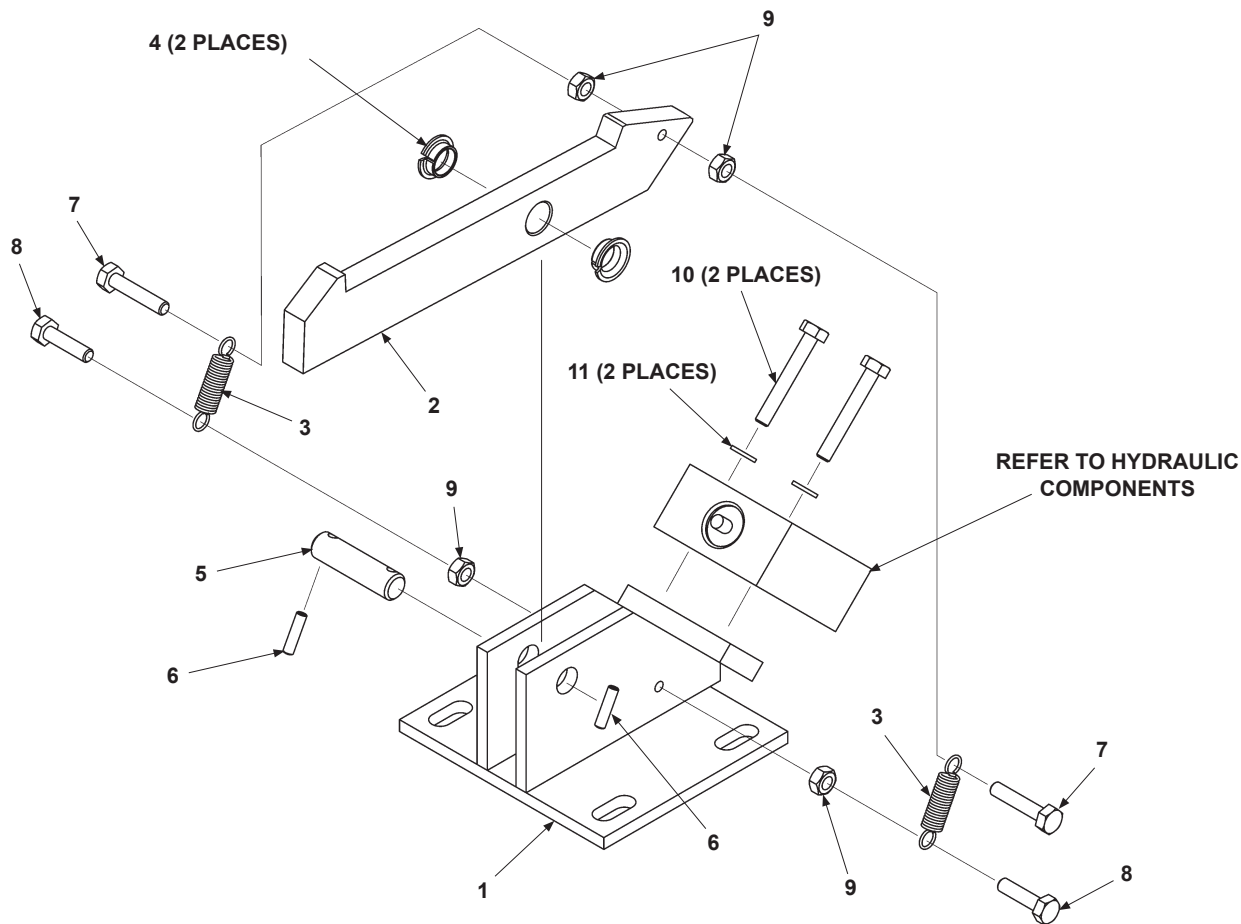
LAST UPDATED
MAY 2013 to FEB 2024



SLIDE ASSEMBLY WITHOUT OPENER

ITEM	QTY.	PART NO.	DESCRIPTION
1	1	RSM0007	BEAM ASSEMBLY
		RSM0007-03	BEAM WELD ASSY,W/O BRKT SUP
2	1	RSM0005	LIFT ARM ASSEMBLY
2A	8	908046-04	SELF LUBE BEARING, 1-1/4" X 1-3/8" X 1-1/2" LG.
2B	4	NPI6	GREASE NIPPLE, KNOCK IN
3	1	RSM0006	TILT ARM ASSEMBLY
3A	4	908046-03	SELF LUBE BEARING, 1-1/4" X 1-3/8" X 1-1/4" LG.
3B	2	906796-01	LUBE FITTING, 45°
4	1	RSM0060-01	SWING BRACKET, RH
4A	1	908046-04	SELF LUBE BEARING, 1-1/4" X 1-3/8" X 1-1/2" LG.
5	1	RSM0060-02	SWING BRACKET, LH
5A	1	908046-04	SELF LUBE BEARING, 1-1/4" X 1-3/8" X 1-1/2" LG.
6	2	RSM0054	LIFT ARM PIN, 3-15/32" LG.
7	2	RSM0057	LIFT RAM PIN, 5-1/8" LG.
8	2	RSM0055	LIFT ARM PIN, 2-13/16" LG.
9	2	RSM0053	LIFT ARM PIN, 5-3/4" LG.
10	2	251288	THIN LOCK NUT, 3/4"-10
11	2	900032-4	HEX SCREW, 3/4"-10 X 3" LG.
12	4	900040-4	SOCKET SCREW, 3/8"-16 X 1" LG.
13	4	902000-9	FLAT WASHER, 3/8"
14	4	901002	LOCK NUT, 3/8"-16
15	4	900040-7	SOCKET SCREW, 3/8"-16 X 1-3/4" LG.
16	4	900014-3	CAP SCREW, 3/8"-16 X 3/4" LG, GRADE 8
17	4	902011-4	LOCK WASHER, 3/8"
18	4	903443-08	FLAT WASHER, 3/8"
19	4	289236-01	SHAFT
20	1	RSM0107	BEARING HOUSING
21	1	268265-01	ROLLER BEARING
22	1	RSM0059	SPROCKET ASSEMBLY
23	2	902013-13	FLAT WASHER, 1/2"
24	2	900035-6	CAP SCREW, 1/2"-13 UNC-2A X 2-1/4"
25	1	268294-01	MANUAL DRIVE SHAFT
26	8	905033-5	ROLL PIN, 1/4" X 2" LG.
27	1	268521-01	KICK PANEL PLATE
28	4	900004-1	CAP SCREW, 1/4"-20 X 1/2" LG.
29	4	902011-2	LOCK WASHER, 1/4"
30	1	093209-10	EDGE TRIM
31	8	903460-01	SHIM WASHER, 1" I.D. X 1-1/2" O.D.
32	1	268561-02	SPROCKET ALIGN BUSHING, LH
33	1	268561-01	SPROCKET ALIGN BUSHING, RH
34	2	908022-06	PLUG
35	4	903006-2	HEX SET SCREW, FLAT PT, 5/16"-18 X 1/4" LG.
36	8	289251-01	ROLLER INSERT
37	8	289238-01	BEARING ROLLER CASE
38	8	289237-01	BUSHING, HIGH STRESS, 1/8"
39	1	285803-01	BLOCK
40	1	RSM0006	TILT ARM ASSEMBLY
		287137-01	TILT ARM ASSEMBLY WITH HOOK
40A	4	908046-06	SELF LUBE BEARING, 1-1/4" X 1-3/8" X 9/16"
40B	2	906796-01	LUBE FITTING, 45°

SLIDE LOCK ASSEMBLY



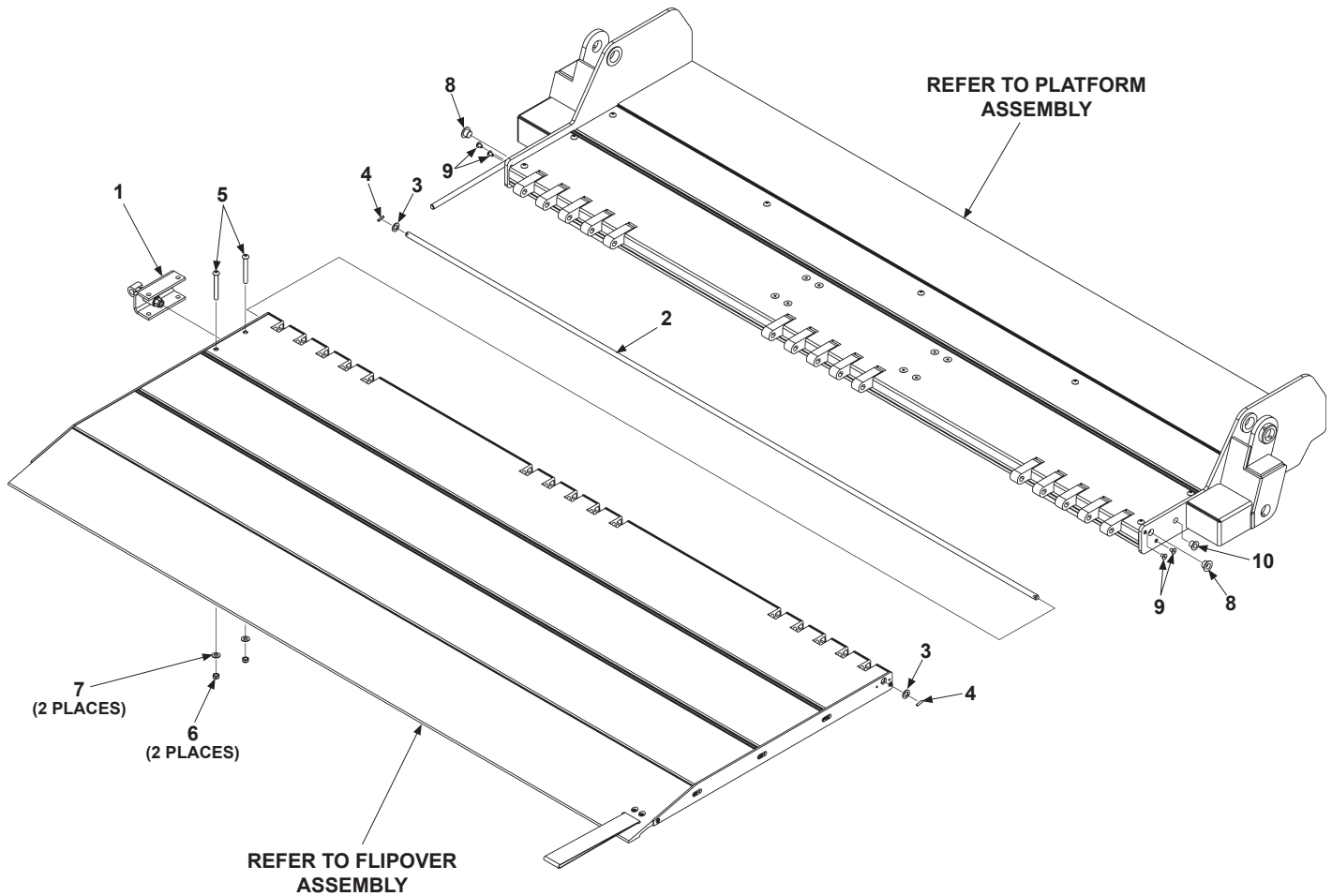
ITEM	QTY.	PART NO.	DESCRIPTION
REF	1	268529-01	SLIDE LOCK ASSEMBLY
		268529-01G	SLIDE LOCK ASSEMBLY, GALVANIZED
1	1	268524-01	SLIDE LOCK BASE WELDMENT
		268524-01G	SLIDE LOCK BASE WELDMENT, GALVANIZED
2	1	268527-01	SLIDE LOCK LATCH BRACKET
		268527-01G	SLIDE LOCK LATCH BRACKET, GALVANIZED
3	2	268531-01	SLIDE LOCK SPRING
4	2	908062-05	SELF LUBE BEARING, 1/2" X 1/4"
5	1	268532-01	SLIDE LOCK PIN
6	2	905015-1	ROLL PIN, 3/16" X 3/4" LG.
7	2	900004-5	SOCKET SCREW, 1/4"-20 X 1-1/4" LG.
8	2	900004-3	CAP SCREW, 1/4"-20 X 1" LG.
9	4	901011-1	NUT, 1/4"-20, UNC-2B
10	2	900004-7	CAP SCREW, 1/4"-20 X 1-3/4" LG.
11	2	902011-2	LOCK WASHER, 1/4"

PLATFORM AND FLIPOVER ASSEMBLY
(FIXED RAMP)

LAST UPDATED
MAY 2013 to FEB 2024

COMPLETE ASSEMBLY:

PLATFORM AND FLIPOVER ASSEMBLY (FIXED RAMP)



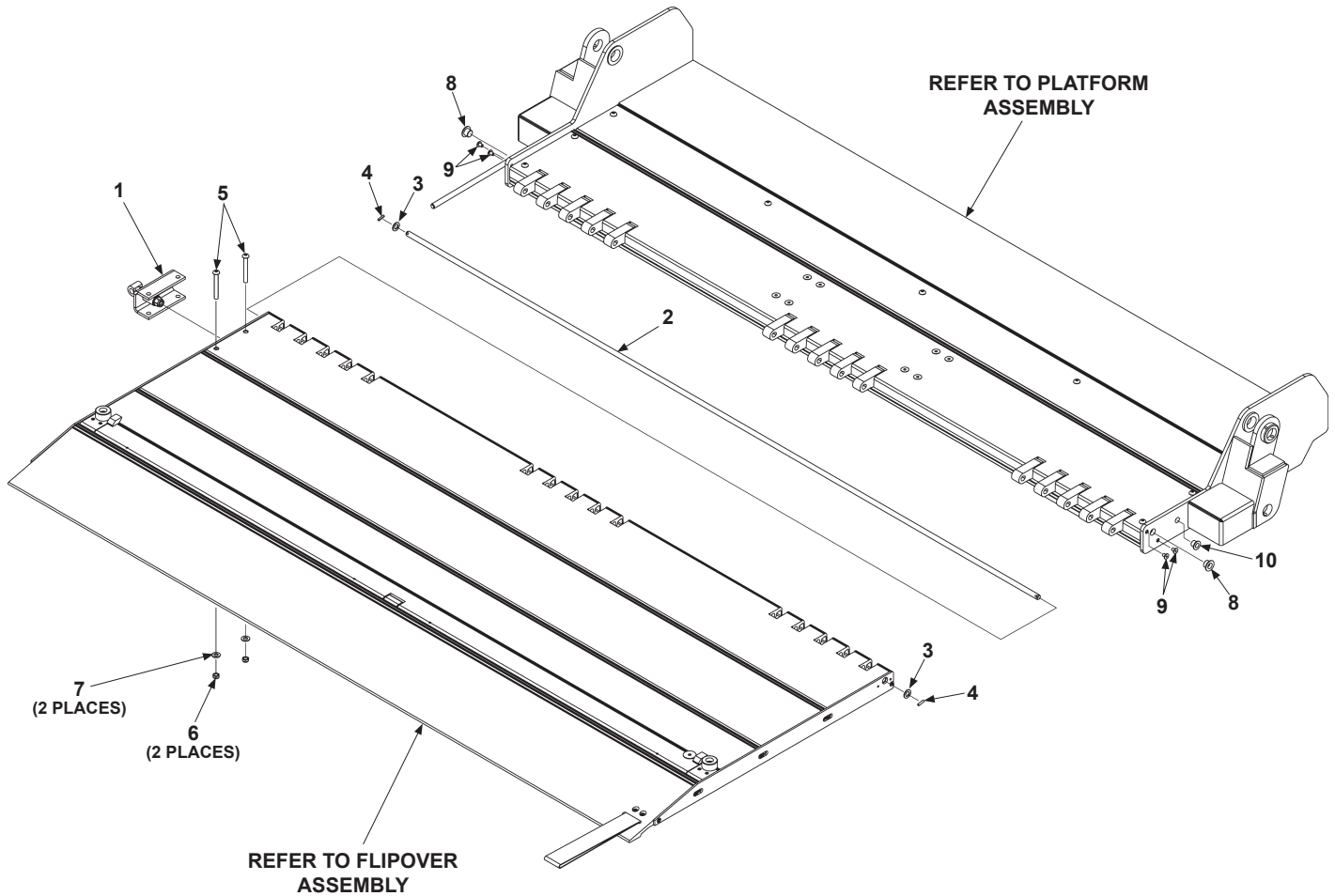
ITEM	QTY.	PART NO.	DESCRIPTION
REF	1	268505-109	PLATF ASSY, GPSLR, W/FXDR,KNRL
		285342-109	PLATF ASSY, GPSLR, W/FXDR,KNRL
1	1	268392-01	BRKT ASSY, TORSION BAR, SL
2	1	263456-03	ROD, HINGE .5" DIA X 85.88"LG
		263456-13	ROD, HINGE Ø.50 X 86.38"LG
3	2	902000-13	WASHER, FLAT .500 .032 THK
4	2	905015-1	PIN, ROLL .188X.75 ZINC
5	2	900064-07	SCREW,BTN SCT CAP.375-16 X3.00
6	2	901016-4	NUT HEX THN HD LKING.375-16UNC
7	2	902013-11	WASHER, FLAT 3/8" ZC
8	2	908022-06	PLUG, FLEXIBLE Ø.709X.551
9	4	908022-07	PLUG, FLEXIBLE Ø.275X.511
10	1	908022-05	PLUG, FLEXIBLE Ø.580X.571

PLATFORM AND FLIPOVER ASSEMBLY
(SINGLE OR DUAL CART STOPS)

LAST UPDATED
MAY 2013 to FEB 2024

COMPLETE ASSEMBLY:

PLATFORM AND FLIPOVER ASSEMBLY (SINGLE AND DUAL CART STOPS)



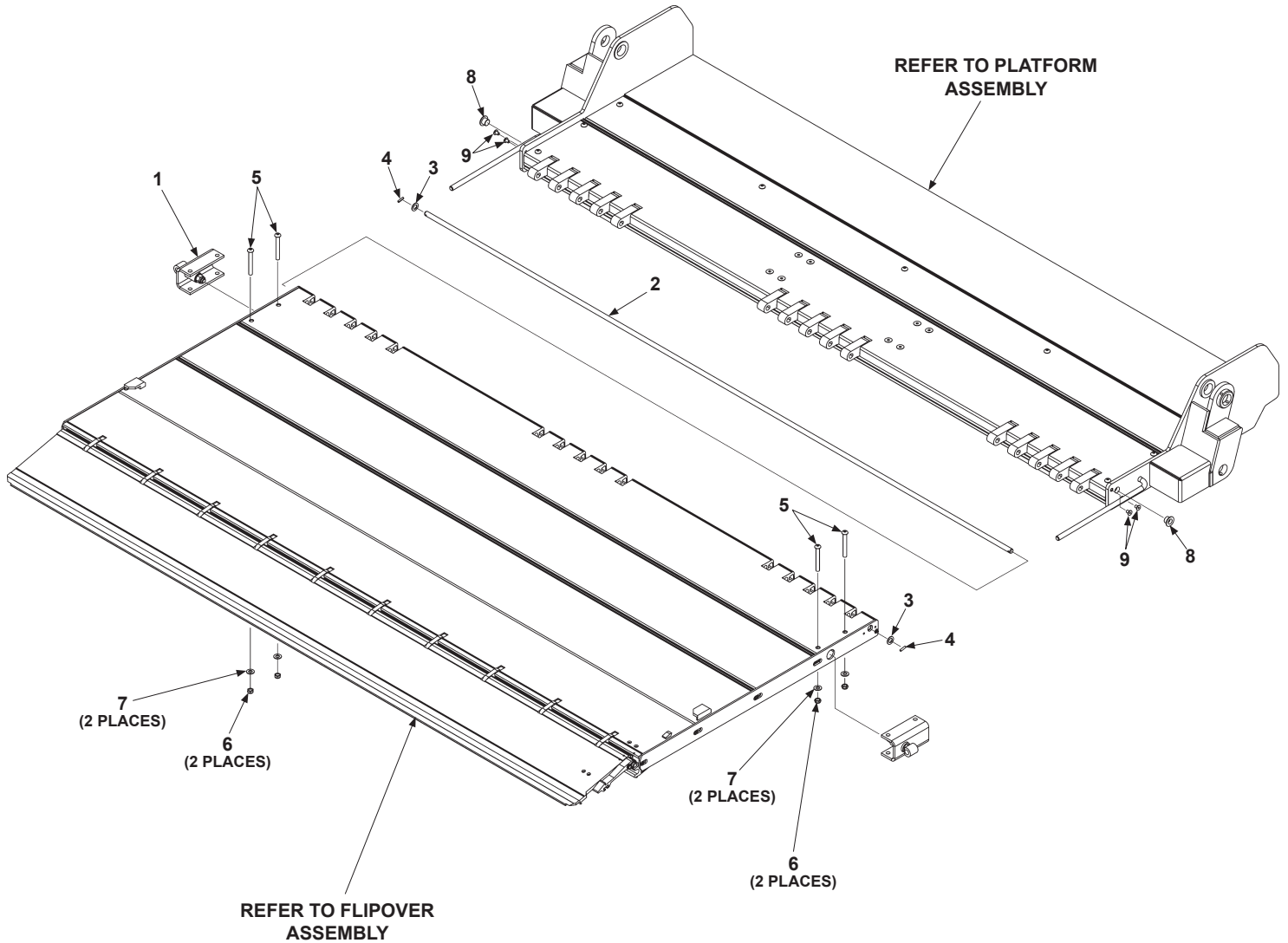
ITEM	QTY.	PART NO.	DESCRIPTION
REF	1	268505-110	PLATF ASSY, GPSLR, W/FXDR SCST,KNRL
		285342-110	PLATF ASSY, GPSLR, W/FXDR SCST,KNRL
		268505-111	PLATF ASSY, GPSLR, W/FXDR DCST,KNRL
		285342-111	PLATF ASSY, GPSLR, W/FXDR DCST,KNRL
1	1	268392-01	BRKT ASSY, TORSION BAR, SL
2	1	263456-03	ROD, HINGE .5" DIA X 85.88"LG
		263456-13	ROD, HINGE Ø.50 X 86.38"LG
3	2	902000-13	WASHER, FLAT .500 .032 THK
4	2	905015-1	PIN, ROLL .188X.75 ZINC
5	2	900064-07	SCREW,BTN SCT CAP.375-16 X3.00
6	2	901016-4	NUT HEX THN HD LKING.375-16UNC
7	2	902013-11	WASHER, FLAT 3/8" ZC
8	2	908022-06	PLUG, FLEXIBLE Ø.709X.551
9	4	908022-07	PLUG, FLEXIBLE Ø.275X.511
10	1	908022-05	PLUG, FLEXIBLE Ø.580X.571

PLATFORM AND FLIPOVER ASSEMBLY
(SINGLE OR DUAL RETENTION RAMPS)

LAST UPDATED
MAY 2013 to FEB 2024

COMPLETE ASSEMBLY:

PLATFORM AND FLIPOVER ASSEMBLY (SINGLE OR DUAL RETENTION RAMPS)



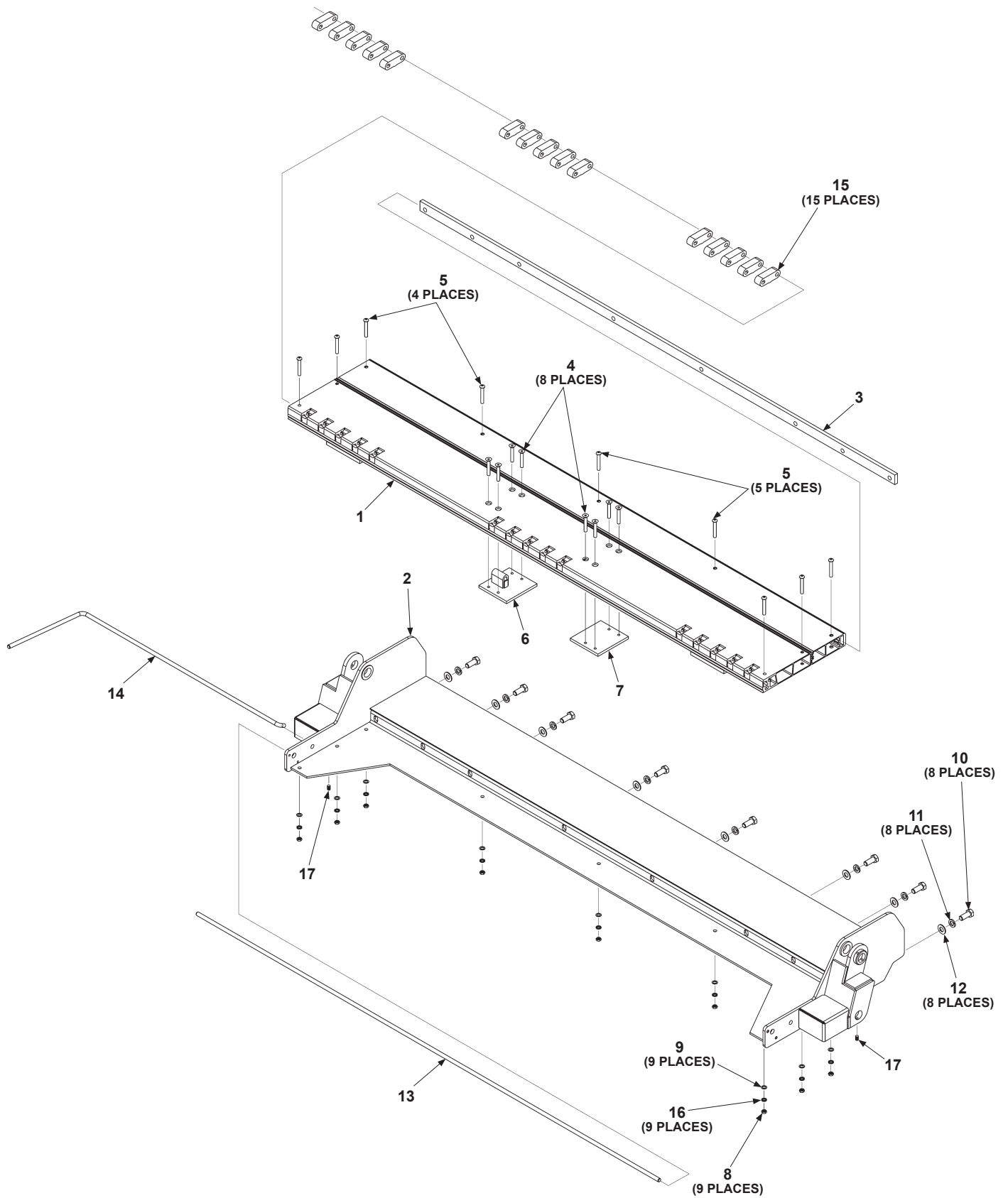
ITEM	QTY.	PART NO.	DESCRIPTION
REF	1	268505-108	PLATF ASSY, GPLSR, W/SRR,STD,KNRL
		285342-108	PLATF ASSY, GPLSR, W/SRR, STD,KNRL
		268505-107	PLATF ASSY, GPLSR, W/DRR,STD,KNRL
		285342-107	PLATF ASSY, GPLSR, W/DRR, STD,KNRL
1	2	268392-01	BRKT ASSY, TORSION BAR, SL
		268392-01G	BRKT ASSY, TORSION BAR, SL,GALV
2	1	263456-13	ROD, HINGE Ø.50 X 86.38"LG
3	2	902000-13	WASHER, FLAT .500 .032 THK
4	2	905015-1	PIN, ROLL .188X.75 ZINC
5	4	900064-07	SCREW,BTN SCT CAP.375-16 X3.00
6	4	901016-4	NUT HEX THN HD LKING.375-16UNC
7	4	902013-11	WASHER, FLAT 3/8" ZC
8	2	908022-06	PLUG, FLEXIBLE Ø.709X.551
9	4	908022-07	PLUG, FLEXIBLE Ø.275X.511

PLATFORM ASSEMBLY WITH 25" HEEL SINGLE TORSION BAR

LAST UPDATED
MAY 2013 to FEB 2024

COMPLETE ASSEMBLY:

PLATFORM ASSEMBLY 25" HEEL WITH SINGLE TORSION BAR



PLATFORM ASSEMBLY WITH 25" HEEL SINGLE TORSION BAR

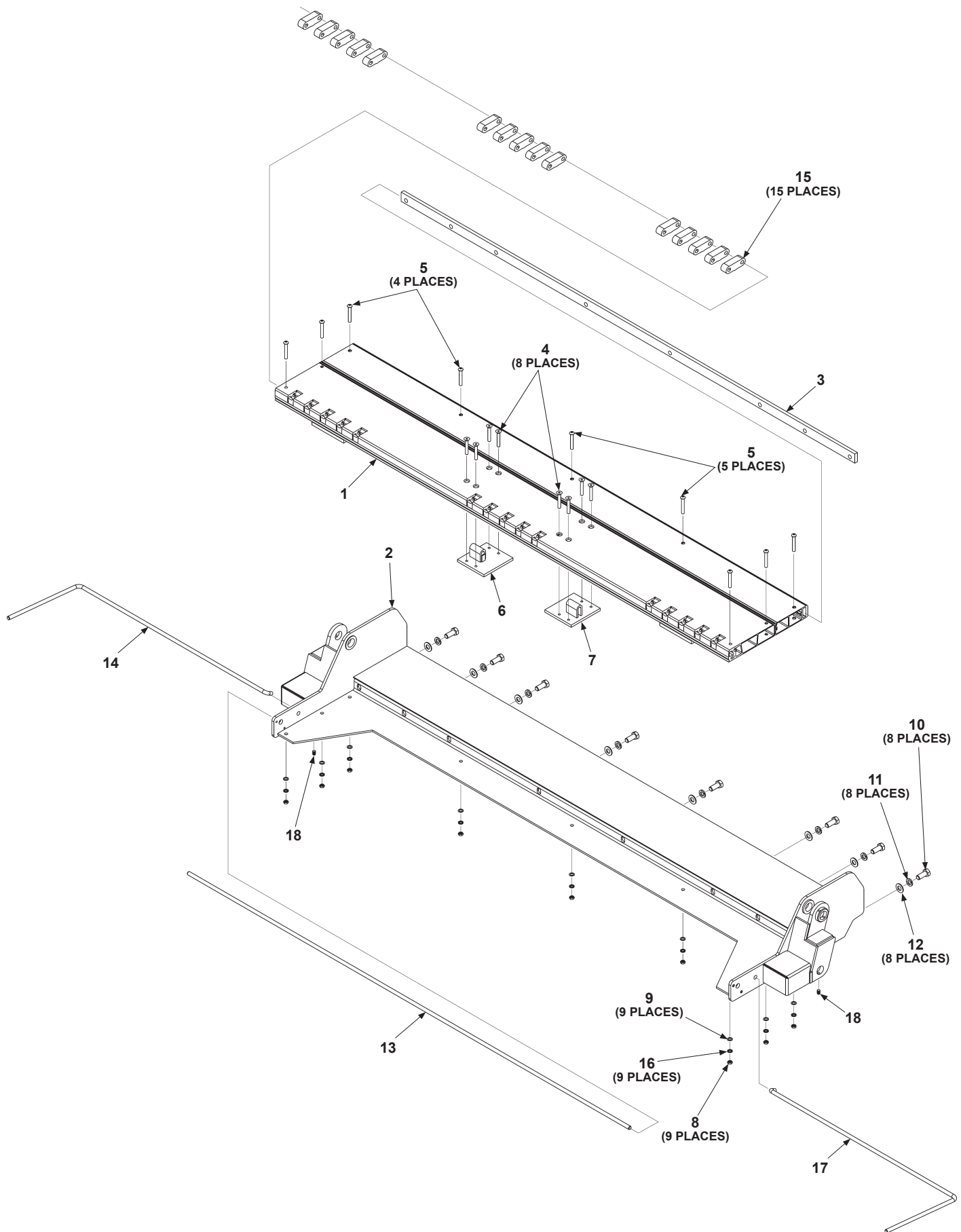
ITEM	QTY.	PART NO.	DESCRIPTION
REF	1	268575-103	PLATF ASSY,KNRL,25" AL HEEL, SSPR
1	1	268566-101	PLK WLDMT,KNRL, GPSLR, 25" HEEL
2	1	268570-01	PLATF WLDMT, 25" HEEL
3	1	268572-01	TAPPING STRIP FLAT
4	8	900040-10	SOCKET SCREW, 3/8"-16 X 2-1/2" LG.
5	9	900064-11	BUTTON HEAD SCREW, 3/8"-16 X 2-1/2" LG.
6	1	268560-01	HOLDER,WLDMT,LH, GPSLR
7	1	268559-01	FLAT, 3/8" X 5" X 5-1/2" LG.
8	9	285356-01	LOCK NUT, 3/8"-16, THIN HEAD
9	9	902000-9	FLAT WASHER, 3/8" X 1/32" THICK.
10	8	900761-02	CAP SCREW, 5/8"-18 X 1-1/2" LG.
11	8	902011-8	LOCK WASHER, 5/8" X 3/16" THK
12	8	902013-15	FLAT WASHER, 5/8"
13	1	268578-01	HINGE ROD, 1/2" X 83-1/2" LG.
14	1	268394-01	TORSION BAR, LH
15	15	283354-10	HINGE, SPACER
16	9	903435-06	WASHER, NORD-LOCK, .38/M10, ZC
17	2	901208-01	SCREW SET,3/8-16X3/4 CONE

PLATFORM ASSEMBLY WITH 25" HEEL DUAL TORSION BARS

LAST UPDATED
MAY 2013 to FEB 2024

COMPLETE ASSEMBLY:

PLATFORM ASSEMBLY 25" HEEL WITH DUAL TORSION BARS



PLATFORM ASSEMBLY WITH 25" HEEL DUAL TORSION BARS

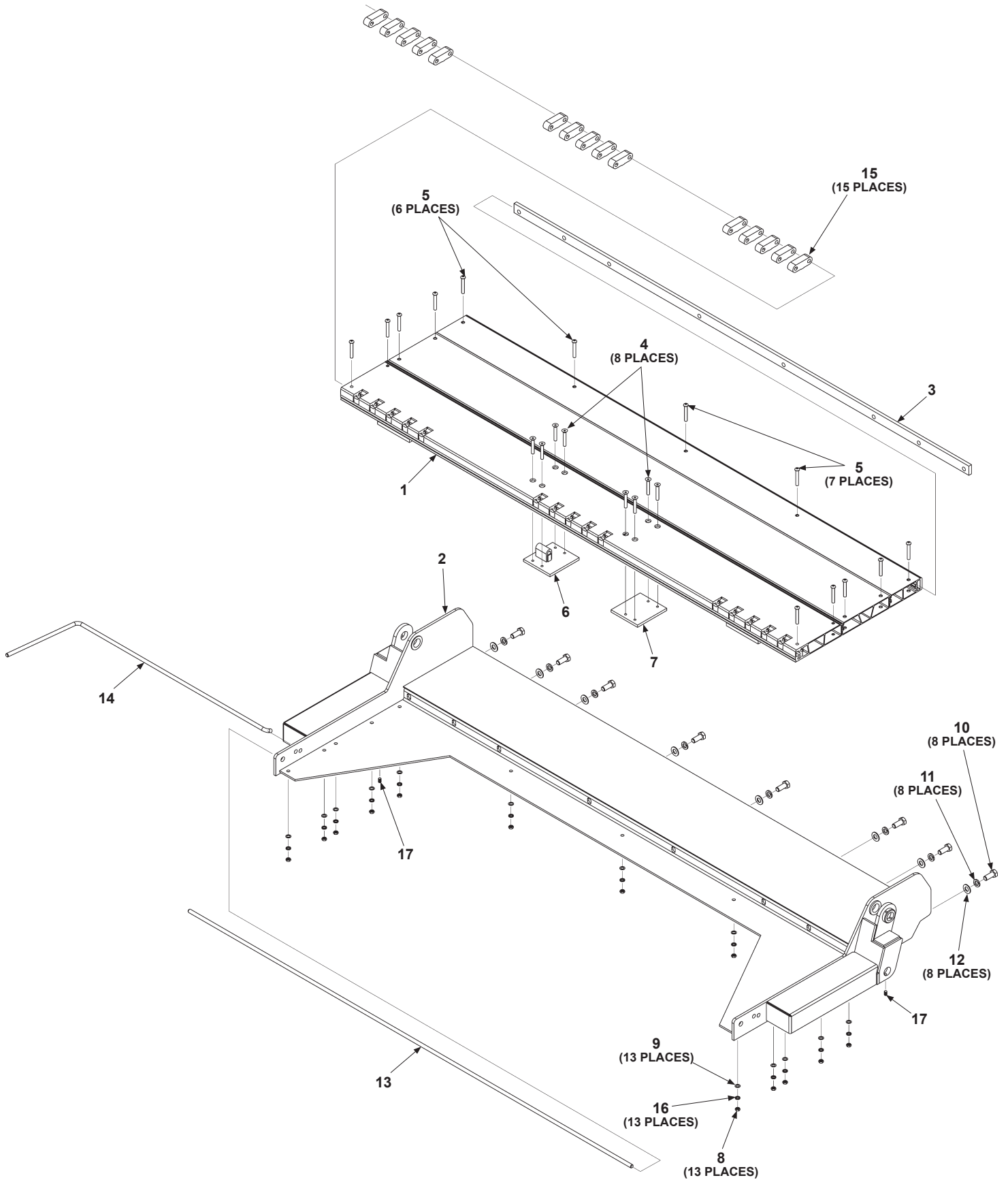
ITEM	QTY.	PART NO.	DESCRIPTION
REF	1	268575-101	PLATF ASSY, KNRL,25" AL HEEL
1	1	268566-101	PLK WLDMT,KNRL, GPSLR, 25" HEEL
2	1	268570-01	PLATF WLDMT, 25" HEEL
3	1	268572-01	TAPPING STRIP FLAT
4	8	900040-10	SOCKET SCREW, 3/8"-16 X 2-1/2" LG.
5	9	900064-11	BUTTON HEAD SCREW, 3/8"-16 X 2-1/2" LG.
6	1	268560-01	HOLDER,WLDMT,LH, GPSLR
7	1	268560-02	HOLDER,WLDMT,RH, GPSLR
8	9	285356-01	LOCK NUT, 3/8"-16, THIN HEAD
9	9	902000-9	FLAT WASHER, 3/8" X 1/32" THICK.
10	8	900761-02	CAP SCREW, 5/8"-18 X 1-1/2" LG.
11	8	902011-8	LOCK WASHER, 5/8" X 3/16" THK
12	8	902013-15	FLAT WASHER, 5/8"
13	1	268578-01	HINGE ROD, 1/2" X 83-1/2" LG.
14	1	268394-01	TORSION BAR, LH
15	15	283354-10	HINGE, SPACER
16	9	903435-06	WASHER, NORD-LOCK, .38/M10, ZC
17	2	268394-02	TORSION BAR,RH, SL
18	2	901208-01	SCREW SET,3/8-16X3/4 CONE

PLATFORM ASSEMBLY WITH 37" HEEL SINGLE TORSION BAR

LAST UPDATED
MAY 2013 to FEB 2024

COMPLETE ASSEMBLY:

PLATFORM ASSEMBLY 37" HEEL WITH SINGLE TORSION BAR



PLATFORM ASSEMBLY WITH 37" HEEL SINGLE TORSION BAR

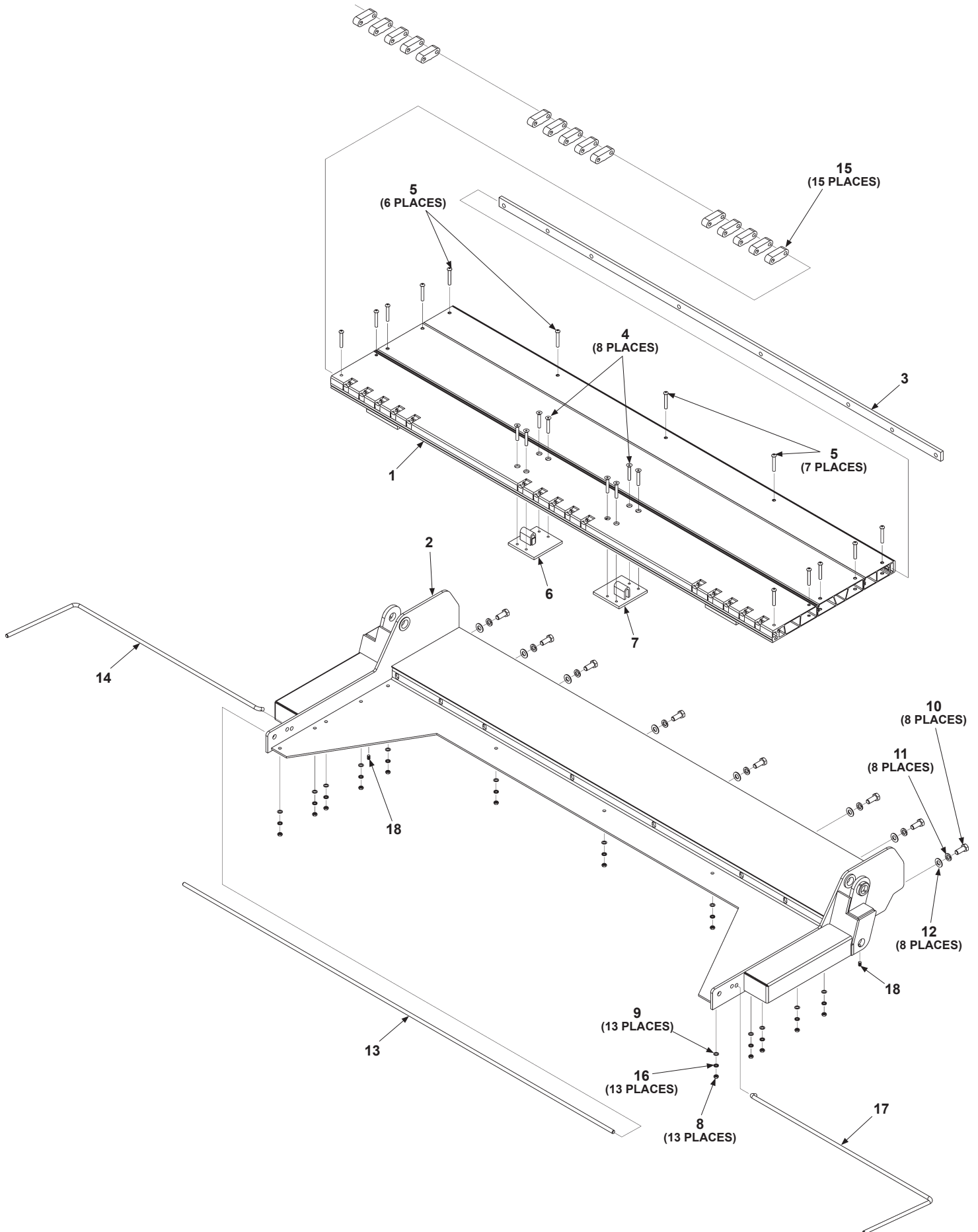
ITEM	QTY.	PART NO.	DESCRIPTION
REF	1	285343-102	PLATF ASSY, 37" AL HEEL, SSPR,KNRL
1	1	285345-101	PLK WLDMT, GPSLR, 37" HEEL,KNRL
2	1	285344-01	PLATF WLDMT, 37" HEEL
3	1	268572-01	TAPPING STRIP FLAT
4	8	900040-10	SOCKET SCREW, 3/8"-16 X 2-1/2" LG.
5	13	900064-11	BUTTON HEAD SCREW, 3/8"-16 X 2-1/2" LG.
6	1	268560-01	HOLDER,WLDMT,LH, GPSLR
7	1	268559-01	FLAT, 3/8" X 5" X 5-1/2" LG.
8	13	285356-01	LOCK NUT, 3/8"-16, THIN HEAD
9	13	902000-9	FLAT WASHER, 3/8" X 1/32" THICK.
10	8	900761-02	CAP SCREW, 5/8"-18 X 1-1/2" LG.
11	8	902011-8	LOCK WASHER, 5/8" X 3/16" THK
12	8	902013-15	FLAT WASHER, 5/8"
13	1	268578-01	HINGE ROD, 1/2" X 83-1/2" LG.
14	1	268394-01	TORSION BAR, LH
15	15	283354-10	HINGE, SPACER
16	13	903435-06	WASHER, NORD-LOCK, .38/M10, ZC
17	2	901208-01	SCREW SET,3/8-16X3/4 CONE

PLATFORM ASSEMBLY WITH 37" HEEL DUAL TORSION BAR

LAST UPDATED
MAY 2013 to FEB 2024

COMPLETE ASSEMBLY:

PLATFORM ASSEMBLY 37" HEEL WITH DUAL TORSION BAR

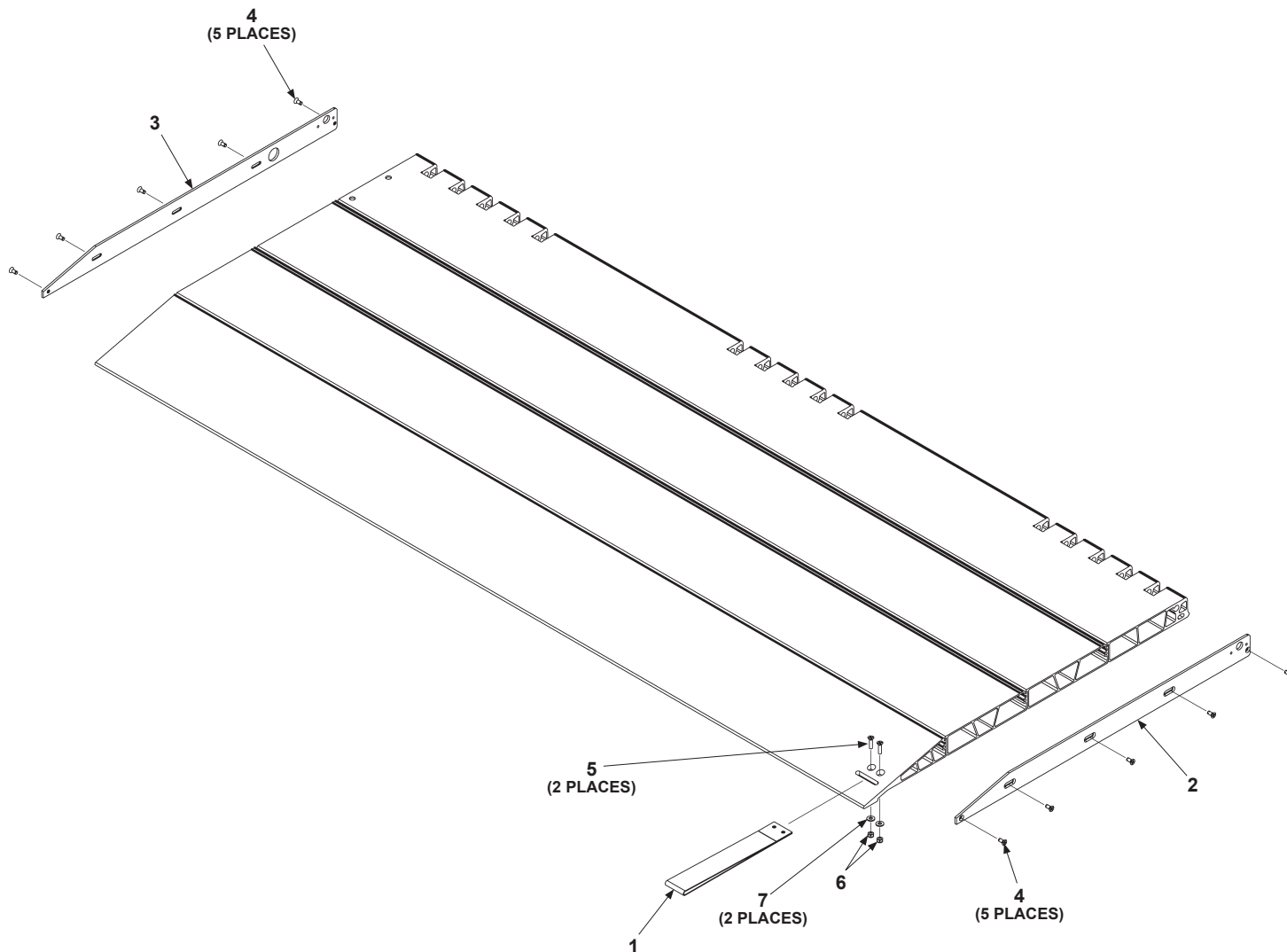


PLATFORM ASSEMBLY WITH 37" HEEL DUAL TORSION BAR

ITEM	QTY.	PART NO.	DESCRIPTION
REF	1	285343-101	PLATF ASSY, 37" AL HEEL,KNRL
1	1	285345-101	PLK WLDMT, GPLSR, 37" HEEL,KNRL
2	1	285344-01	PLATF WLDMT, 37" HEEL
3	1	268572-01	TAPPING STRIP FLAT
4	8	900040-10	SOCKET SCREW, 3/8"-16 X 2-1/2" LG.
5	13	900064-11	BUTTON HEAD SCREW, 3/8"-16 X 2-1/2" LG.
6	1	268560-01	HOLDER,WLDMT,LH, GPLSR
7	1	268560-02	HOLDER,WLDMT,RH, GPLSR
8	13	285356-01	LOCK NUT, 3/8"-16, THIN HEAD
9	13	902000-9	FLAT WASHER, 3/8" X 1/32" THICK.
10	8	900761-02	CAP SCREW, 5/8"-18 X 1-1/2" LG.
11	8	902011-8	LOCK WASHER, 5/8" X 3/16" THK
12	8	902013-15	FLAT WASHER, 5/8"
13	1	268578-01	HINGE ROD, 1/2" X 83-1/2" LG.
14	1	268394-01	TORSION BAR, LH
15	15	283354-10	HINGE, SPACER
16	13	903435-06	WASHER, NORD-LOCK, .38/M10, ZC
17	1	268394-02	TORSION BAR,RH, SL
18	2	901208-01	SCREW SET,3/8-16X3/4 CONE

COMPLETE ASSEMBLY:

FLIPOVER WITH FIXED RAMP



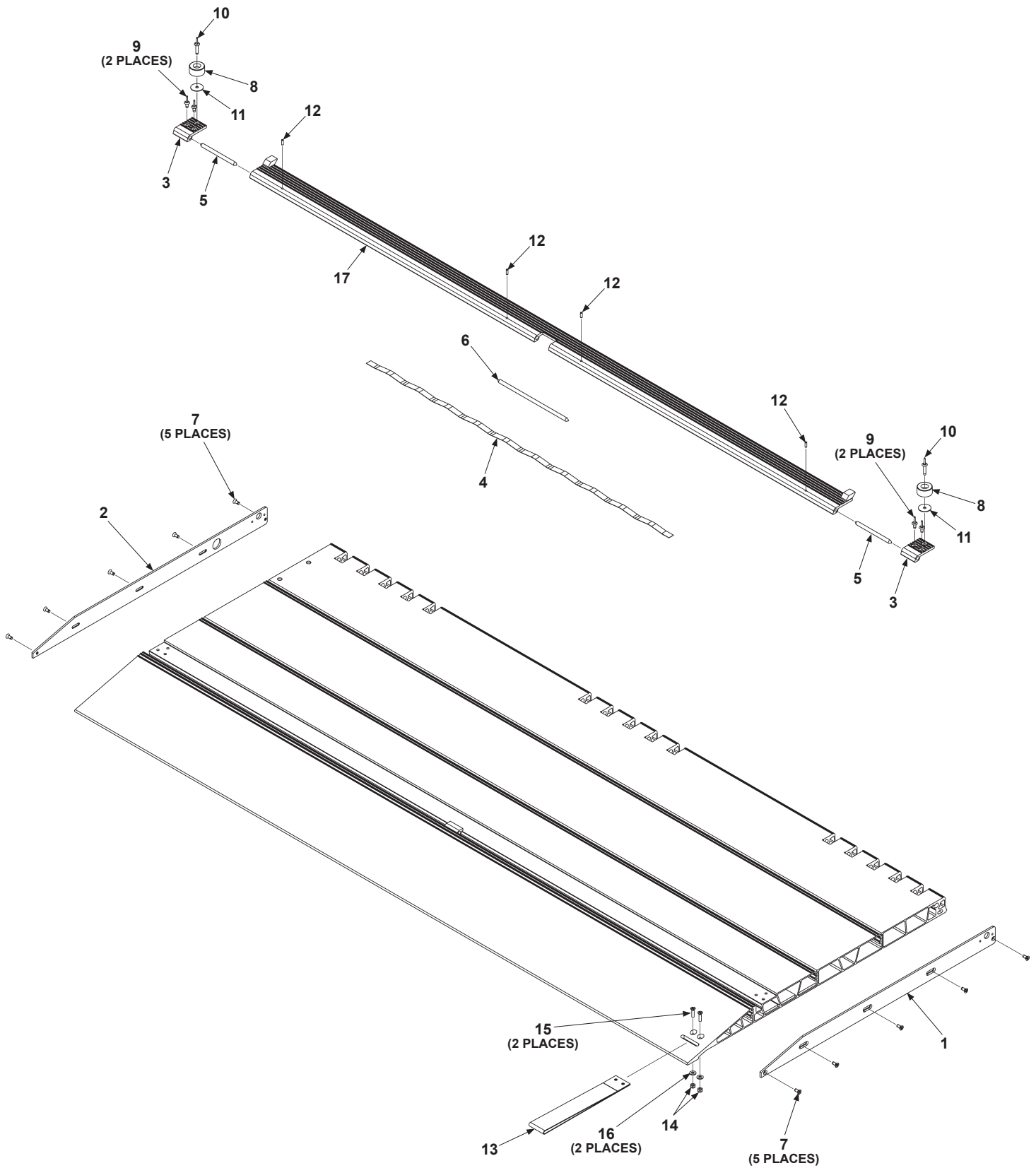
ITEM	QTY.	PART NO.	DESCRIPTION
REF	1	268499-107	F/O ASSY, FXDR, 85.38 LG, AL,KNRL
		268499-108	F/O ASSY, FXDR, 84.88 LG, AL,KNRL
1	1	284619-01	NYLON WEB, STRAP 12" LG
2	1	268753-01	SIDE PL, FXD F/O, RH, GPSLR
3	1	268753-02	SIDE PL, FXD F/O, LH, GPSLR
4	10	900748-03	SCR,FL PH,TYPE F .25-20X.63 ZP
5	2	900715-08	SCREW, FL PH .25-20X1.00 ZP
6	2	901016-2	NUT HEX THIN HD LKING.25-20
7	2	902013-09	WASHER, FLAT 1/4" ZC

FLIPOVER WITH SINGLE CART STOP

COMPLETE ASSEMBLY:

FLIPOVER WITH SINGLE CART STOP

LAST UPDATED
MAY 2013 to FEB 2024



FLIPOVER WITH SINGLE CART STOP

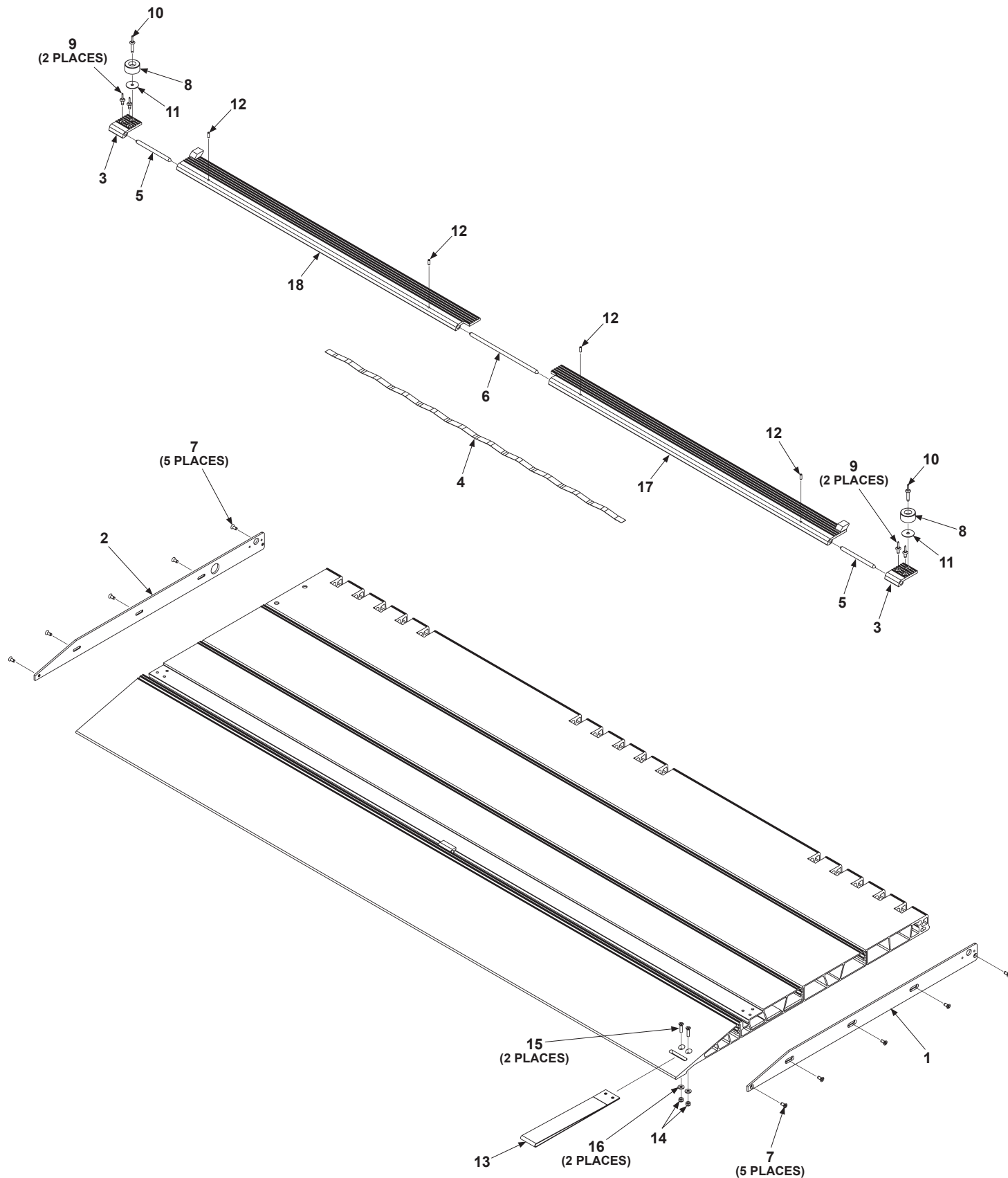
ITEM	QTY.	PART NO.	DESCRIPTION
REF	1	268760-102	F/O ASSY,W/SCST,85.38"LG,KNRL
		268760-104	F/O ASSY,W/SCST,84.88"LG,KNRL
1	1	268753-01	SIDE PL, FXD F/O, RH, GPSLR
2	1	268753-02	SIDE PL, FXD F/O, LH, GPSL
3	2	267088-01	LINK, CART STOP
4	1	267581-01	SPRING, F/OVER C/ST, .63X42"LG
5	2	267094-03	PIN, CART STOP, 5"LG
6	1	267094-04	PIN, CART STOP, 9.75"LG
7	10	900748-03	SCR,FL PH,TYPE F .25-20X.63 ZP
8	2	905314-05	BUMPER, CYL W/WASHER, Ø1.5X.75
9	4	903705-02	RIVET,BLD,DOME,AL/ST Ø.25X.6
10	2	903705-06	RIVET,BLD,DOME,AL/ST Ø.25X1.2
11	2	903409-07	WASHER, FEND. Ø.28 X 1.25OD,SS
12	4	904719-03	PIN, ROLL, Ø.188 X .56LG, SS
13	1	284619-01	NYLON WEB, STRAP 12" LG
14	2	901016-2	NUT HEX THIN HD LKING.25-20
15	2	900715-08	SCREW, FL PH .25-20X1.00 ZP
16	2	902013-09	WASHER, FLAT 1/4" ZC
17	1	267092-09	CART STOP WLDMT, 85" P/F, SNGL
		267092-70	CART STOP WLDMT, 84.5" P/F, SNGL

FLIPOVER WITH DUAL CART STOPS

LAST UPDATED
MAY 2013 to FEB 2024

COMPLETE ASSEMBLY:

FLIPOVER WITH DUAL CART STOPS



FLIPOVER WITH DUAL CART STOPS

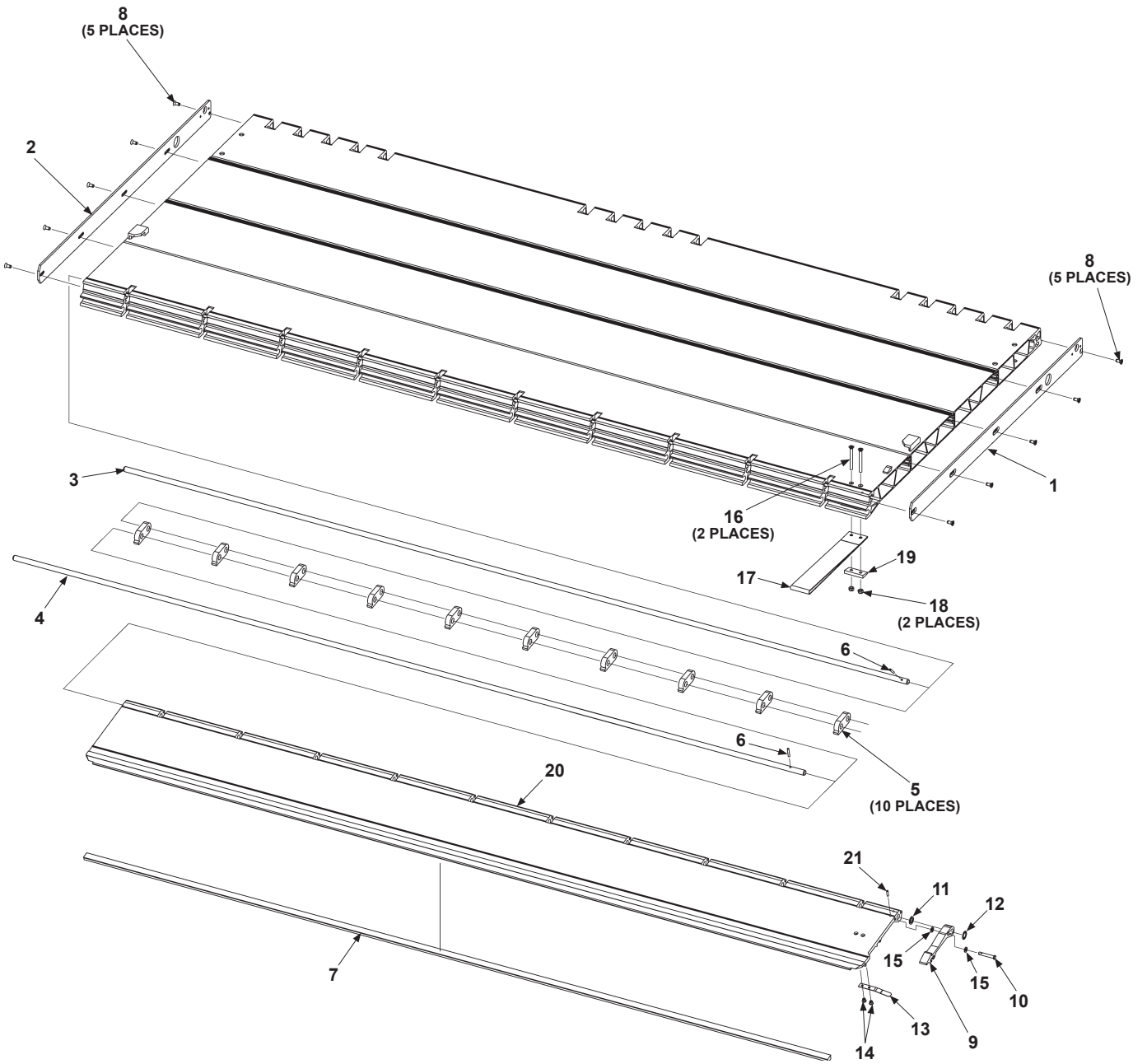
ITEM	QTY.	PART NO.	DESCRIPTION
REF	1	268760-101	F/O ASSY,W/DCST,85.38"LG,KNR
		268760-103	F/O ASSY,W/DCST,84.88"LG,KNRL
1	1	268753-01	SIDE PL, FXD F/O, RH, GPSLR
2	1	268753-02	SIDE PL, FXD F/O, LH, GPSL
3	2	267088-01	LINK, CART STOP
4	1	267581-01	SPRING, F/OVER C/ST, .63X42"LG
5	2	267094-03	PIN, CART STOP, 5"LG
6	1	267094-04	PIN, CART STOP, 9.75"LG
7	10	900748-03	SCR,FL PH,TYPE F .25-20X.63 ZP
8	2	905314-05	BUMPER, CYL W/WASHER, Ø1.5X.75
9	4	903705-02	RIVET,BLD,DOME,AL/ST Ø.25X.6
10	2	903705-06	RIVET,BLD,DOME,AL/ST Ø.25X1.2
11	2	903409-07	WASHER, FEND. Ø.28 X 1.25OD,SS
12	4	904719-03	PIN, ROLL, Ø.188 X .56LG, SS
13	1	284619-01	NYLON WEB, STRAP 12" LG
14	2	901016-2	NUT HEX THIN HD LKING.25-20
15	2	900715-08	SCREW, FL PH .25-20X1.00 ZP
16	2	902013-09	WASHER, FLAT 1/4" ZC
17	1	267092-06	CART STOP WLDMT,85"P/F,DUAL,RH
		267092-71	CART STOP WLDMT,84.5"P/F,DUAL,RH
18	1	267092-07	CART STOP WLDMT,85"P/F,DUAL,LH
		267092-72	CART STOP WLDMT,84.5"P/F,DUAL,LH

FLIPOVER WITH SINGLE RETENTION RAMP

LAST UPDATED
MAY 2013 to FEB 2024

COMPLETE ASSEMBLY:

FLIPOVER WITH SINGLE RETENTION RAMP



FLIPOVER WITH SINGLE RETENTION RAMP

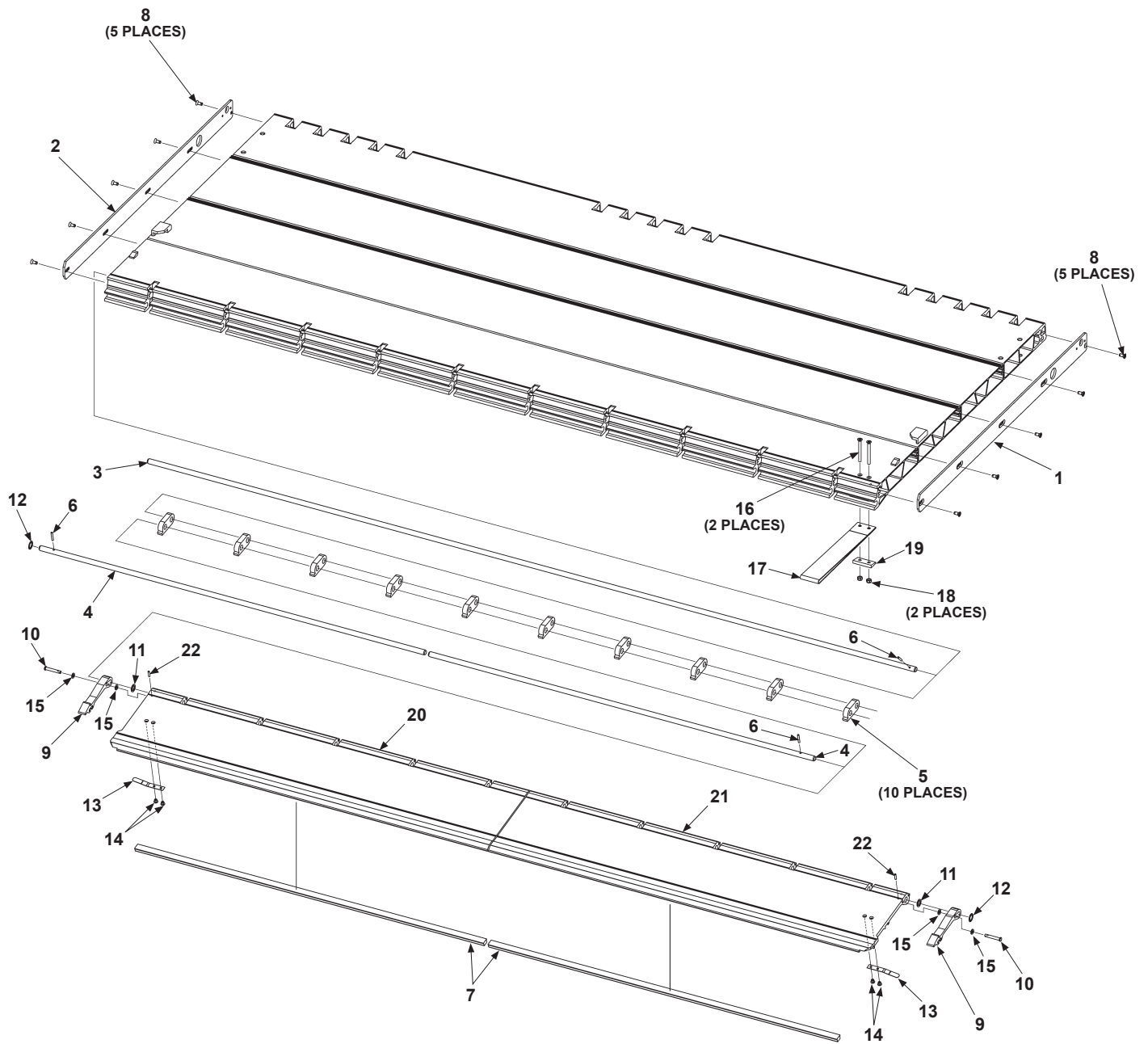
ITEM	QTY.	PART NO.	DESCRIPTION
REF	1	268499-105	F/O ASSY, STD, SRR, 85.38 LG,KNRL
1	1	268752-01	SIDE PL, P/F F/O, RH, GPSLR
2	1	268752-02	SIDE PL, P/F F/O, LH, GPSLR
3	1	267045-04	ROD, HINGE .50 DIA X 84.75LG
4	1	267045-03	ROD, HINGE .50 DIA X 84.56L
5	10	311022-10	HINGE, F/O RAMP, .50LG
6	2	905007-07	PIN, ROLL .156 X 1.00 ZINC
7	1	905318-02	BUMPER, EXTRUSION,.56X.28X80.5
8	10	900748-03	SCR,FL PH,TYPE F .25-20X.63 ZP
9	1	311038-11	HOOK, RETENTION RAMP
10	1	283951-01	CLEVIS PIN, 1/4 X 1-5/8
11	1	903413-02	WASHER, 6/6 NYLON .5IDX.062
12	1	903420-01	RING, RETAIN., SLF/LCK .50, SS
13	1	267326-01	SPRING, HOOK, RETENTION RAMP
14	2	904005-1	RIVET,BLIND SSTL DOME .187X.44
15	2	903421-02	WASHER, 6/6 NYLON .25IDX.062TH
16	2	900715-16	SCREW, FL PH .25-20X2.50 ZP
17	1	284619-01	NYLON WEB, STRAP 12" LG
18	2	901016-2	NUT HEX THIN HD LKING.25-20
19	1	287144-01	HOLDER BRKT
20	1	267041-02	RAMP, FLIP OVER, 83.88" LG
21	1	905007-03	PIN, ROLL .156 X .63 ZINC

FLIPOVER WITH DUAL RETENTION RAMPS

LAST UPDATED
MAY 2013 to FEB 2024

COMPLETE ASSEMBLY:

FLIPOVER WITH DUAL RETENTION RAMPS

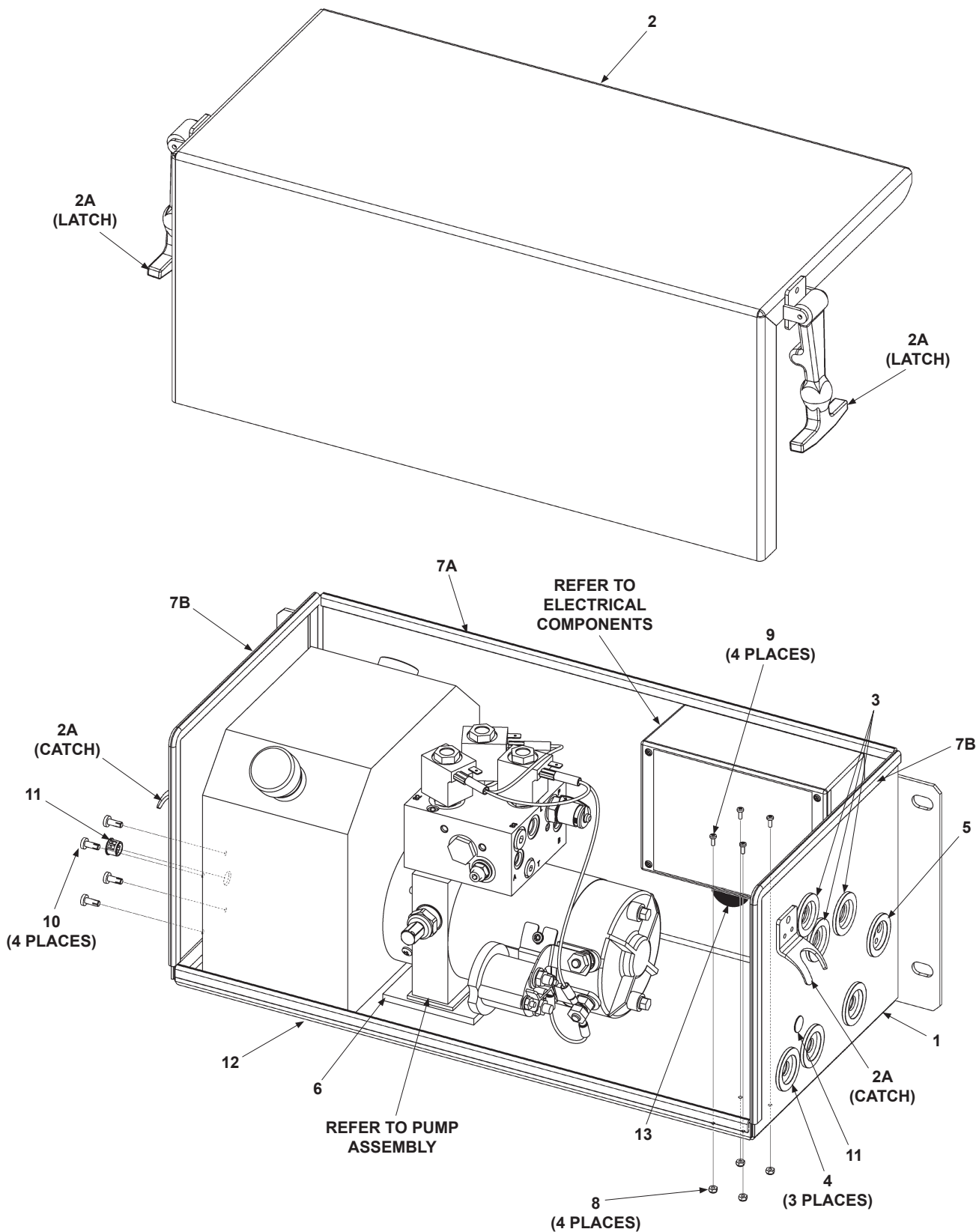


FLIPOVER WITH DUAL RETENTION RAMPS

ITEM	QTY.	PART NO.	DESCRIPTION
REF	1	268499-106	F/O ASSY, STD,DRR, 85.38 LG,KNRL
1	1	268752-01	SIDE PL, P/F F/O, RH, GPSLR
2	1	268752-02	SIDE PL, P/F F/O, LH, GPSLR
3	1	267045-04	ROD, HINGE .50 DIA X 84.75LG
4	2	267045-06	ROD, HINGE .50 DIA X 42.56"LG
5	10	311022-10	HINGE, F/O RAMP, .50LG
6	3	905007-07	PIN, ROLL .156 X 1.00 ZINC
7	2	905318-04	BUMPER, EXTRUSION,.56X.28X38.5
8	10	900748-03	SCR,FL PH,TYPE F .25-20X.63 ZP
9	2	311038-11	HOOK, RETENTION RAMP
10	2	283951-01	CLEVIS PIN, 1/4 X 1-5/8
11	2	903413-02	WASHER, 6/6 NYLON .5IDX.062
12	2	903420-01	RING, RETAIN., SLF/LCK .50, SS
13	2	267326-01	SPRING, HOOK, RETENTION RAMP
14	4	904005-1	RIVET,BLIND SSTL DOME .187X.44
15	4	903421-02	WASHER, 6/6 NYLON .25IDX.062TH
16	2	900715-16	SCREW, FL PH .25-20X2.50 ZP
17	1	284619-01	NYLON WEB, STRAP 12" LG
18	2	901016-2	NUT HEX THIN HD LKING.25-20
19	1	287144-01	HOLDER BRKT
20	1	267041-04	RAMP, DUAL LH, F/O, 41.88" LG
21	1	267041-06	RAMP, DUAL RH, F/O, 41.88" LG
22	2	905007-03	PIN, ROLL .156 X .63 ZINC

PUMP BOX ASSEMBLY

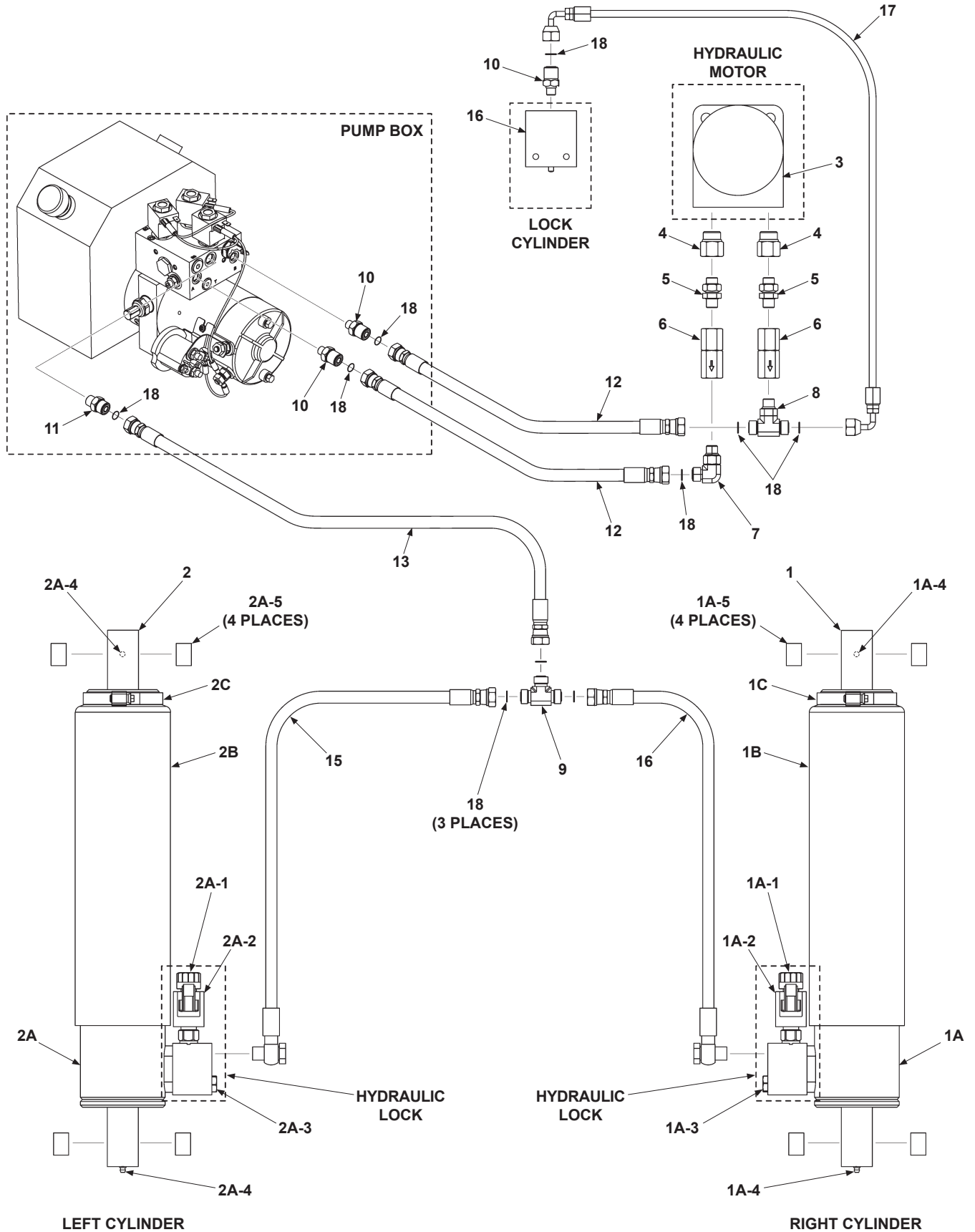
LAST UPDATED
MAY 2013 to FEB 2024



PUMP BOX ASSEMBLY

ITEM	QTY	PART NO.	DESCRIPTION
REF	1	268276-01	POWER PACK & CONTROLLER ASSEMBLY
1	1	268080-01	PUMP BOX
2	1	268081-01	PUMP COVER
2A	2	215139	DRAW CATCH & LATCH
3	3	266428-07	GROMMET, 1" O.D., 5/8" I.D. HOLE
4	3	266428-04	GROMMET, 1" O.D., 3/8" I.D. HOLE
5	1	266428-10	GROMMET, 1" O.D., 3 HOLES
6	1	268535-01	SUPPORT PLATE
7	60" (REF)	093212	EDGE TRIM WITH SEAL
7A	1	-	EDGE TRIM, 21-3/4" (CUT TO LENGTH)
7B	2	-	EDGE TRIM, 19" (CUT TO LENGTH)
8	4	901007	LOCK NUT, 4-40, GRADE 8
9	4	900024-5	PAN HEAD SCREW, 4-40 X 5/16" LG.
10	4	900057-2	SELF-TAP SCREW, 10-24 X 1/2" LG.
11	2	908081-01	NYLON PLUG FOR 1/2" HOLE
12	1	093203-11	NEOPRENE BULB, TRIM SEAL (21-3/4" LG.)
13	1	266428-11	GROMMET, 1" O.D., 3 HOLES

NOTE: Replacement face seal fittings come with required O-rings.

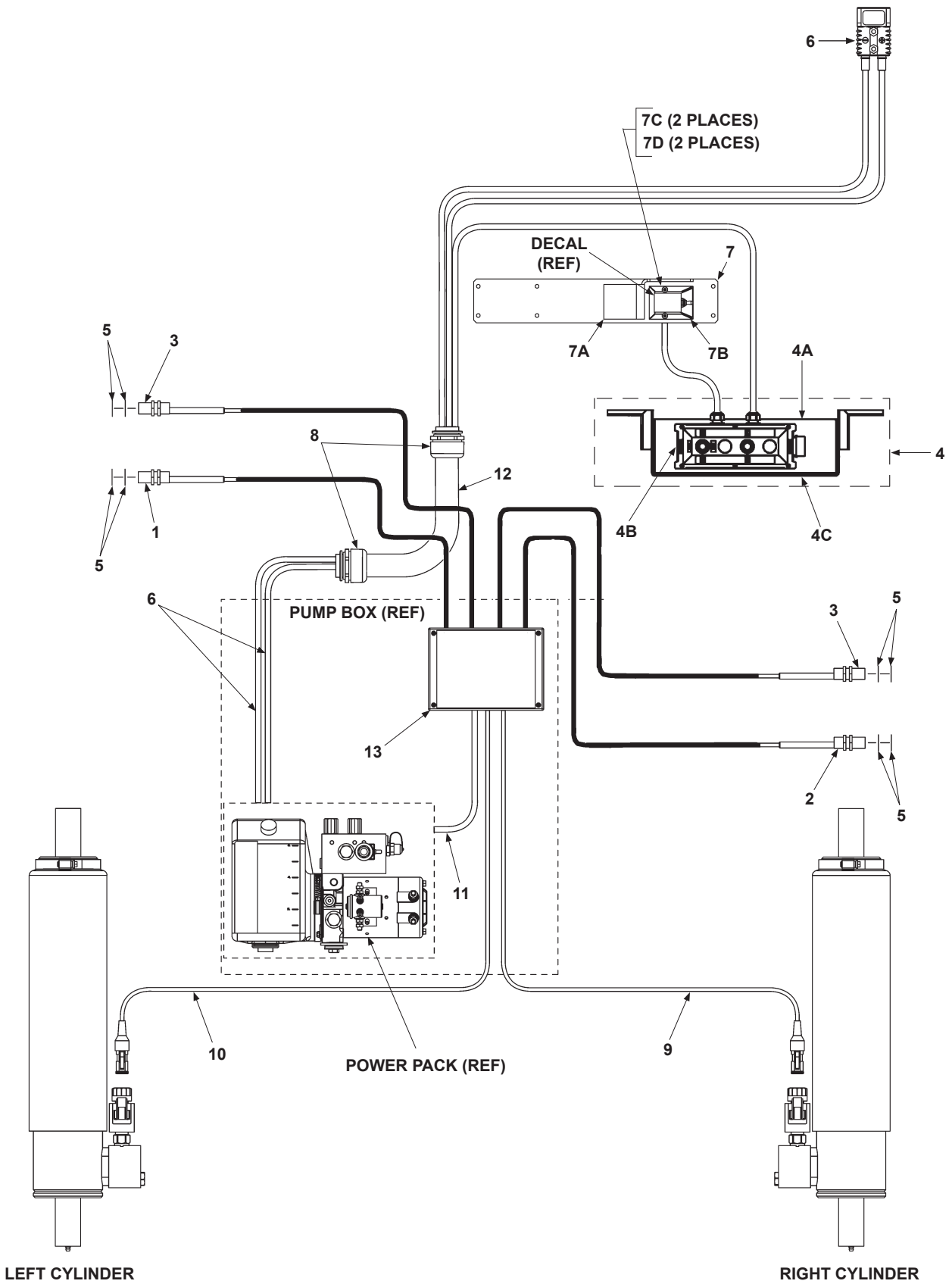


HYDRAULIC COMPONENTS

ITEM	QTY.	PART NO.	DESCRIPTION
1	1	268552-01	CYLINDER ASSEMBLY, RH, 12V
1A	1	268502-01	CYLINDER, RH
1A-1	1	906832-01	VALVE
1A-2	1	906824-01	COIL
1A-3	1	268280-01	FLOW CONTROL VALVE
1A-4	2	908131-01	GREASE FITTING
1A-5	4	908046-05	SELF LUBE BEARING, 1-1/4" LG.
1B	1	268399-01	CYLINDER BELLOW
1C	1	908133-01	CLAMP, 3-1/16" - 4" RANGE
2	1	268552-02	CYLINDER ASSEMBLY, LH, 12V
2A	1	268502-02	CYLINDER, LH
2A-1	1	906832-01	VALVE
2A-2	1	906824-01	COIL
2A-3	1	268280-01	FLOW CONTROL VALVE
2A-4	2	908131-01	GREASE FITTING
2A-5	4	908046-05	SELF LUBE BEARING, 1-1/4" LG.
2B	1	268399-01	CYLINDER BELLOW
2C	1	908133-01	CLAMP, 3-1/16" - 4" RANGE
3	1	268272-03	HYDRAULIC MOTOR
4	2	906812-01	REDUCER STRAIGHT THREAD
5	2	906786-01	UNION, #6M-M, O-RING
6	2	906709-02	FLOW REGULATOR VALVE, #6, 2 GPM
7	1	906813-01	ELBOW #6, 3/8" O-RING FACE SEAL
8	1	906745-01	BRANCH TEE, FACE SEAL #6, O-RING, M-M
9	1	905150	UNION TEE, FACE SEAL 3/8" M, 6-JLO
10	3	906759-01	CONNECTOR, FACE SEAL #6, O-RING #4, M-M
11	1	905173	CONNECTOR, FACE SEAL #6 & O-RING #6, M-M
12	2	268671-01	HOSE ASSEMBLY, 3/8", 25" LG.
13	1	268671-02	HOSE ASSEMBLY, 3/8", SAE #6, 22" LG.
14	1	268672-01	HOSE ASSEMBLY, 3/8", #6-BANJO, 95-1/2" LG.
15	1	268672-02	HOSE ASSEMBLY, 3/8", #6-BANJO, 64" LG.
16	1	268501-01	SLIDER LOCK CYLINDER
17	1	268673-01	HOSE ASSEMBLY, 1/4", SAE #6, 42" LG.
18	10	906712-02	O-RING, #6 (3/8" FACE SEAL TUBE-END)

ELECTRICAL COMPONENTS
(SMART STOW)

LAST UPDATED
MAY 2013 to FEB 2024

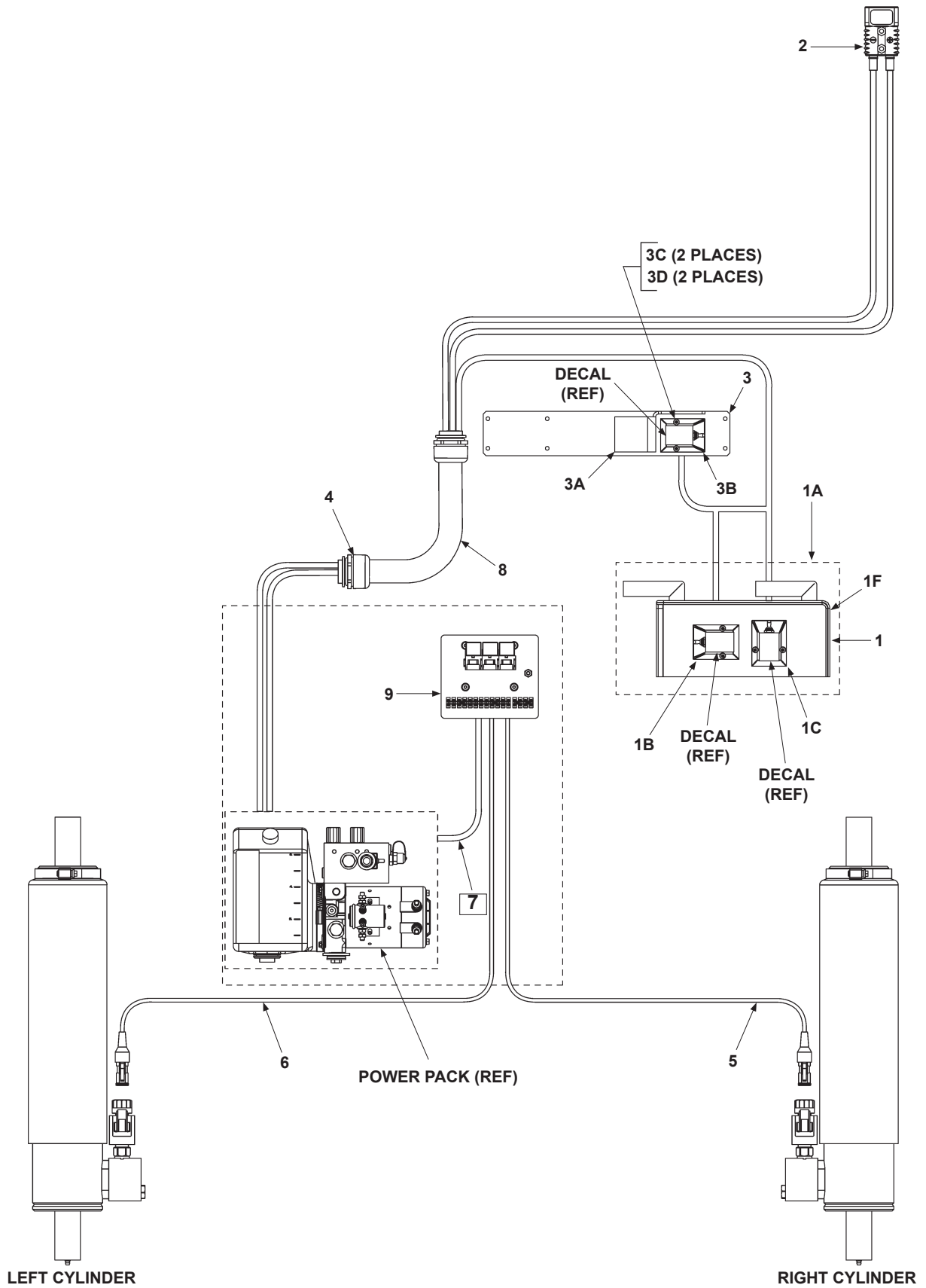


**ELECTRICAL COMPONENTS
(SMART STOW)**

ITEM	QTY.	PART NO.	DESCRIPTION
1	1	282631-01	STOW PROXIMITY SENSOR WIRE ASSEMBLY
2	1	282631-05	SLIDE PROXIMITY IN/OUT WIRE ASSEMBLY
3	2	282631-06	PARK/IN PROXIMITY SENSOR WIRE ASSEMBLY
4	1	283667-05	EXTERNAL CONTROL ASSEMBLY
4A	1	283657-01	BOX WELDMENT
4B	1	283665-05	EXTERNAL HAND CONTROL, NO KEY, 12VDC
4C	1	093209-22	EDGE TRIM (25-1/2" LG.)
4D	4	902000-3	FLAT WASHER, #6 (NOT SHOWN)
4E	4	902011-17	LOCK WASHER, #6 (NOT SHOWN)
4F	4	903111-01	HEX NUT, #6-32 (NOT SHOWN)
5	8	903439-01	LOCK WASHER, INTERNAL TOOTH
6	1	282632-01	CABLE ASSEMBLY, 2 GA, 12VDC
7	1	228225	INTERNAL CONTROL ASSEMBLY
7A	1	288224-01	BRACKET ASSEMBLY
7B	1	288221-01	MOLDED SWITCH
7C	2	900007-1	SCREW, PAN HEAD, #10-24 X 5/8" LG.
7D	2	901003	LOCK NUT, NYLON, #10-24
8	2	906559-01	STRAIGHT CONNECTOR FITTING
9	1	268274-01	RIGHT SIDE CABLE, 78" LG, 16 GA
10	1	268274-02	LEFT SIDE CABLE, 104" LG, 16 GA
11	1	282583-01	PUMP CONTROL WIRE ASSEMBLY
12	1	906560-48	SUPER FLEX CONDUIT
13	1	268291-01	CONTROLLER ASSEMBLY
14	6	205780	PLASTIC TIE, 7" LG. (NOT SHOWN)

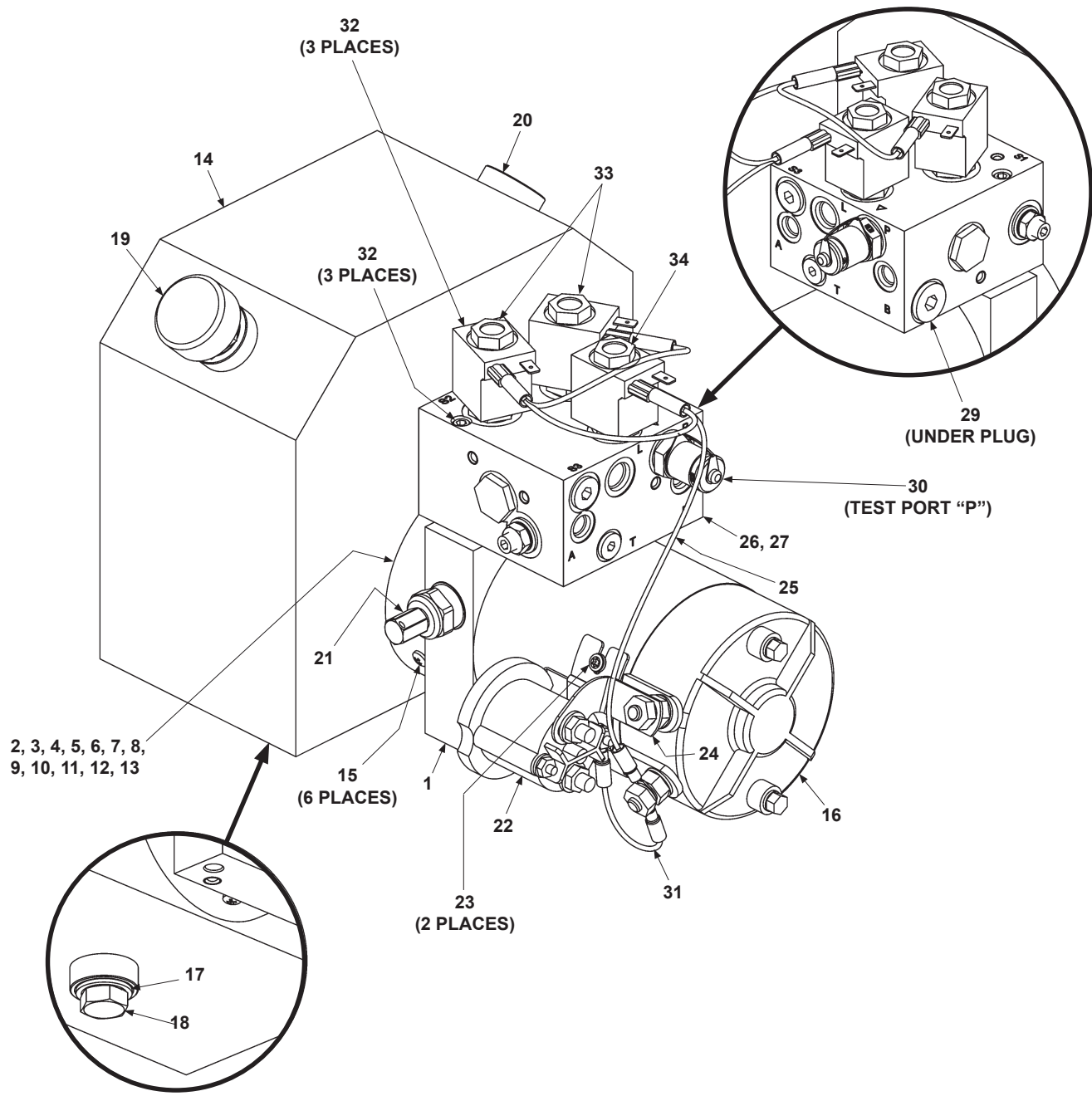
ELECTRICAL COMPONENTS
(WITHOUT CONTROLLER)

LAST UPDATED
MAY 2013 to FEB 2024



**ELECTRICAL COMPONENTS
(WITHOUT CONTROLLER)**

ITEM	QTY.	PART NO.	DESCRIPTION
1	1	287348-01	SWITCH BOX ASSEMBLY
1A	1	287349-01	BOX WELDMENT
1B	1	287354-02	MOLDED SWITCH ASSEMBLY, UP/DOWN
1C	1	287354-01	MOLDED SWITCH ASSEMBLY, OUT/IN
1D	4	900007-6	SCREW, PAN HEAD, 10-24 X 3/4" LG. (NOT SHOWN)
1E	4	901003	NYLON NUT, 10-24 2B (NOT SHOWN)
1F	1	093209-23	EDGE TRIM, REGULAR, 1/16" THICK X 24" LG.
2	1	282632-01	CABLE ASSEMBLY, 2 GA, 12VDC
3	1	228225	INTERNAL CONTROL ASSEMBLY
3A	1	288224-01	BRACKET ASSEMBLY
3B	1	288221-01	MOLDED SWITCH
3C	2	900007-1	SCREW, PAN HEAD, #10-24 X 5/8" LG.
3D	2	901003	LOCK NUT, NYLON, #10-24
4	2	906559-01	STRAIGHT CONNECTOR FITTING
5	1	268274-01	RIGHT SIDE CABLE, 78" LG, 16 GA
6	1	268274-02	LEFT SIDE CABLE, 104" LG, 16 GA
7	1	282583-01	PUMP CONTROL WIRE ASSEMBLY
8	1	906560-48	SUPER FLEX CONDUIT
9	1	268992-01	RELAY ASSEMBLY, GPSLR
10	6	205780	PLASTIC TIE, 7" LG. (NOT SHOWN)

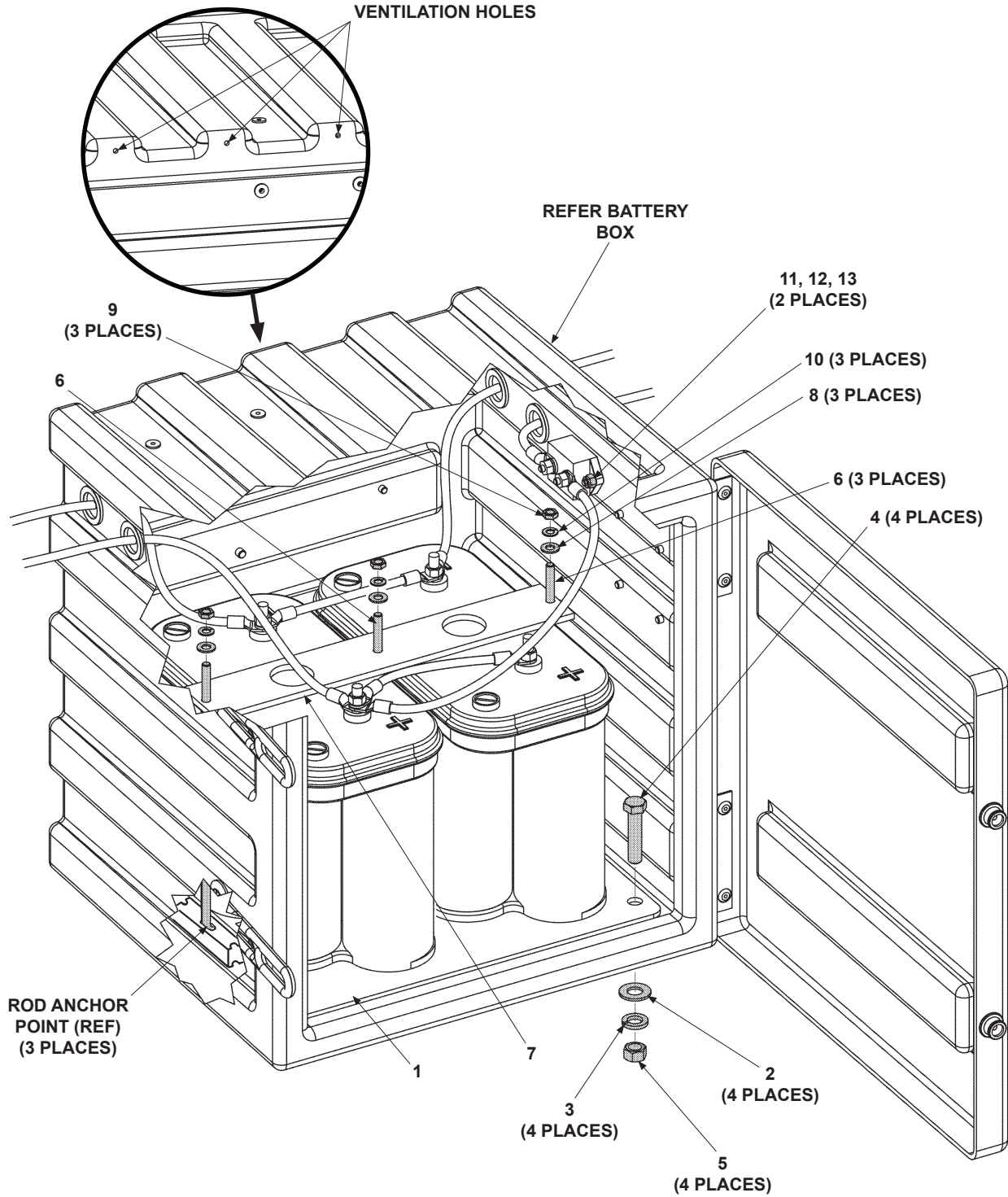


12 VDC POWER UNIT

ITEM	QTY.	PART NO.	DESCRIPTION
REF.	1	269321	PUMP ASSEMBLY, 24V
1	1	269323	BASE ASSEMBLY, M3498
2	1	269324	O-RING, UP100 & UP110
3	1	269325	PUMP
4	1	269356	INTERMEDIATE SHAFT
5	1	269326	REAR COVER O-RING
6	4	269327	DOWEL PIN, 5 MM X 7 MM
7	1	269328	REAR COVER
8	4	269329	SOCKET CAP SCREW, M8 X 80MM
9	1	269546	SUCTION TUBE, 3/8"
10	1	269331	SCREEN FILTER
11	1	269348	NIPPLE, 3/8" X 3-1/2" LG.
12	1	269349	90° ELBOW, 3/8" X 3/8"
13	1	269350	SUCTION TUBE, 3/8", NYLON
14	1	269332	RESERVOIR
15	6	269333	SCREW, #10-24 X 3/8" LG, SELF TAPPING
16	1	269334	DC MOTOR, 12 VDC
17	1	269547	WASHER SEAL, 1/2"
18	1	269335	DRAIN PLUG, 1/2"-14
19	1	269549	RESERVOIR CAP WITH DIPSTICK
20	1	269337	BREATHER PLUG, 3/4"-14
21	1	269338	RELIEF VALVE, GREEN SPRING
22	1	269339	STARTER SWITCH, 12 VOLT
23	2	269340	PAN HEAD SCREW, #10-32 X 5/16" LG.
24	1	269341	MOTOR-SOLENOID CONNECTING STRAP
25	1	269342	VALVE WIRE ASSEMBLY
26	1	269343	O-RING, 1/16" X 3/4" X 1/16-016
27	1	269344	VALVE ASSEMBLY, 24 VOLT
28	3	269345	SOCKET CAP SCREW, 1/4"-20 X 2-3/4" LG.
29	1	269346	POPPET ASSEMBLY
30	1	269347	TEST PORT FITTING
31	1	269548	STARTER SWITCH WIRE ASSEMBLY
32	3	290125	COIL, 10 VDC, #8, TWO 1/4" MALE TABS
33	2	290126	CARTRIDGE ONLY, 3W/2P
34	1	290127	CARTRIDGE ONLY, 2W/2P

⚠ WARNING

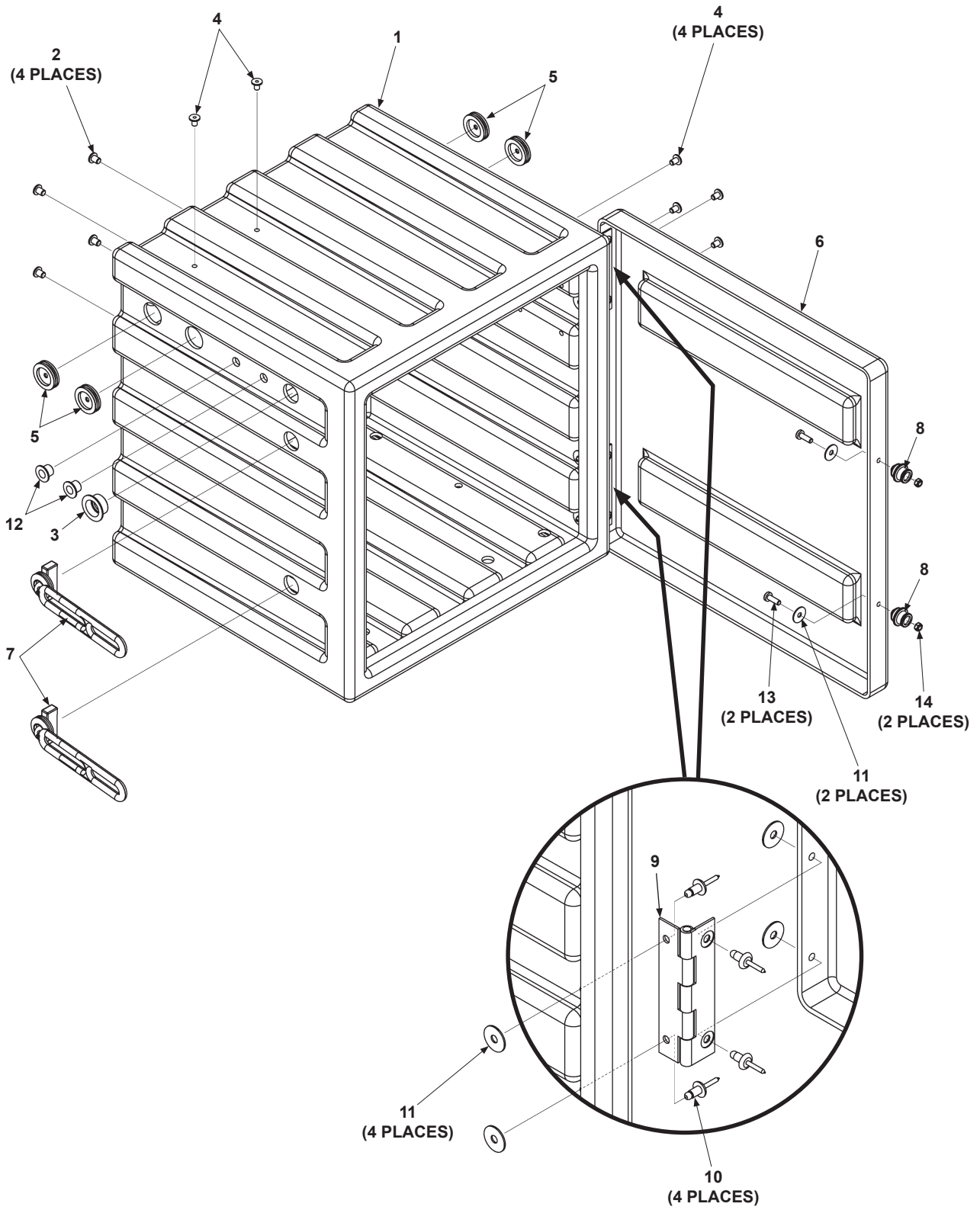
Explosive hydrogen gas from charging batteries can accumulate in battery box if not vented from the box. To prevent hydrogen gas from accumulating, ensure the 3 ventilation holes in battery box are not plugged or covered.



OPTIONAL BATTERY BOX ASSEMBLY

ITEM	QTY	PART NO.	DESCRIPTION
1	1	269535-01G	BATTERY MOUNT PLATE WELDMENT, GALVANIZED
2	4	902013-14	FLAT WASHER, 9/16"
3	4	902011-7	LOCK WASHER, 9/16"
4	4	900033-6	CAP SCREW, 1/2"-20 X 2-1/4" LG, GRADE 8
5	4	901011-10	HEX NUT, 1/2"-20
6	3	227722-01	ROD, L-SHAPE (BATTERY HOLD DOWN)
7	1	250479	BRACKET (BATTERY HOLD DOWN)
8	3	902013-10	FLAT WASHER, 5/16"
9	3	901005	HEX NUT, 5/16"-18, GRADE 8
10	3	902011-3	LOCK WASHER, #10
11	2	902013-09	FLAT WASHER, 1/4"
12	2	900002-4	PAN HEAD SCREW, 1/4"-20 X 1 LG.
13	2	901000	LOCK NUT, 1/4"-20

OPTIONAL BATTERY BOX



OPTIONAL BATTERY BOX

ITEM	QTY	PART NO.	DESCRIPTION
REF	1	269561-01	BATTERY BOX
1	1	269526-01	BOX
2	4	908022-03	PLUG, 5/16"
3	1	908022-08	PLUG, 1-1/16"
4	6	908022-07	PLUG, 1/4"
5	4	266428-02	GROMMET, 1"
6	1	269558-01	COVER
7	2	908193-01	RUBBER LATCH
8	2	908194-01	FASTENING KNOB
9	2	285884-01	BATTERY BOX HINGE, STAINLESS STEEL
10	8	903715-03	BLIND RIVET, 1/4" X 1/4"-3/8"
11	10	903438-01	WASHER, 1/4"
12	2	908022-05	PLUG, 9/16"
13	2	900719-07	BUTTON HEAD SCREW, 1/4"-20 X 1" LG.
14	2	903137-01	LOCK NUT, 1/4"-20, NYLON

DECALS (WITH SMART STOW)

SAFETY INSTRUCTIONS

- Read all decals and operation manual before operating liftgate.
- Do not use liftgate unless you have been properly instructed and have read, and are familiar with, the operating instructions.
 - Be certain vehicle is properly and securely braked before using the liftgate.
 - Always inspect this liftgate for maintenance or damage before using it. Do not use liftgate if it shows any sign of damage or improper maintenance.
 - Do not overload.
 - Make certain the area in which the platform will open and close is clear before opening or closing the platform.
 - Make certain platform area, including the area in which loads may fall from platform, is clear before and at all times during operation of liftgate.
 - This liftgate is intended for loading and unloading of cargo only. Do not use this liftgate for anything but its intended use.

A

WARNING

Read this information carefully.

- Improper operation of this Liftgate can result in serious personal injury. If you do not have a copy of the operating instructions, please obtain them from your employer, distributor, or lessor before you attempt to operate Liftgate.
- If there are signs of improper maintenance, damage to vital parts, or slippery platform surface, do not use the Liftgate until these problems have been corrected.
- If you are using a pallet jack, be sure it can be maneuvered safely.
- Do not operate a forklift on the platform.
- Do not allow any part of yours or your helper's body to be placed under, within, or around any portion of the moving Liftgate, or its mechanisms, or in a position that would trap them between the platform and the ground or truck when the Liftgate is operated.
- If a helper is riding the platform with you, make sure you are both doing so safely and that you are not in danger of coming in contact with any moving or potentially moving obstacles.
- USE GOOD COMMON SENSE.
- If load appears to be unsafe, do not lift or lower it.

For a free copy of other manuals that pertain to this model Liftgate, please visit our website at www.maxonlift.com or call Customer Service at (800) 227-4116.

E



WARNING
Liftgate hazards can result in crushing or falling.
Keep hands and feet clear of pinch points.
If riding liftgate, make sure load is stable and footing is solid.

F

Read and understand all instructions and WARNINGS before use.

CAUTION
Always stand clear of platform area.

C

THE MAXIMUM CAPACITY OF THIS LIFT IS
3300 POUNDS
WHEN THE LOAD IS CENTERED ON THE LOAD CARRYING PLATFORM

B

GPSLR 33 ONLY

THE MAXIMUM CAPACITY OF THIS LIFT IS
4400 POUNDS
WHEN THE LOAD IS CENTERED ON THE LOAD CARRYING PLATFORM

B

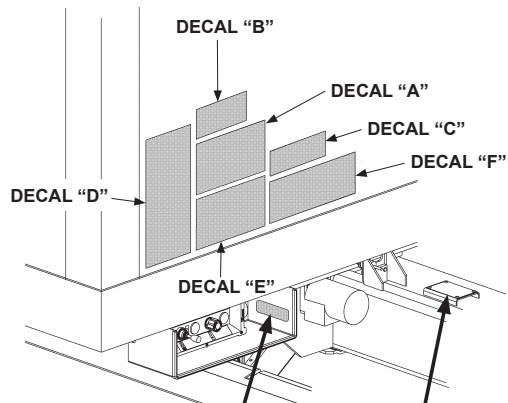
GPSLR 44 ONLY

OPERATING INSTRUCTIONS

- Power On
 - Slide Out To Unstow
 - Manually unfold using strap.
 - Raise
 - Lower
 - Manually fold using strap.
 - Slide In To Stow
 - Power Off
- IMPORTANT: Release switches when liftgate shuts off.

D

MODEL	DECAL SHEET P/N	DECAL "B"
GPSLR-33	267431-01	2300 POUNDS
GPSLR-44	267431-02	4400 POUNDS
GPSTLR-33	267431-01	3300 POUNDS
GPSTLR-44	267431-02	4400 POUNDS



DECAL
P/N 268417-01



SERIAL PLATE (REF)

DECALS (WITHOUT CONTROLLER)

SAFETY INSTRUCTIONS

Read all decals and operation manual before operating liftgate.

1. Do not use liftgate unless you have been properly instructed and have read, and are familiar with, the operating instructions.
2. Be certain vehicle is properly and securely braked before using the liftgate.
3. Always inspect this liftgate for maintenance or damage before using it. Do not use liftgate if it shows any sign of damage or improper maintenance.
4. Do not overload.
5. Make certain the area in which the platform will open and close is clear before opening or closing the platform.
6. Make certain platform area, including the area in which loads may fall from platform, is clear before and at all times during operation of liftgate.
7. This liftgate is intended for loading and unloading of cargo only. Do not use this liftgate for anything but its intended use.

A

WARNING

Read this information carefully.

- Improper operation of this Liftgate can result in serious personal injury. If you do not have a copy of the operating instructions, please obtain them from your employer, distributor, or lessor before you attempt to operate Liftgate.
- If there are signs of improper maintenance, damage to vital parts, or slippery platform surface, do not use the Liftgate until these problems have been corrected.
- If you are using a pallet jack, be sure it can be maneuvered safely.
- Do not operate a forklift on the platform.
- Do not allow any part of yours or your helper's body to be placed under, within, or around any portion of the moving Liftgate, or its mechanisms, or in a position that would trap them between the platform and the ground or truck when the Liftgate is operated.
- If a helper is riding the platform with you, make sure you are both doing so safely and that you are not in danger of coming in contact with any moving or potentially moving obstacles.
- **USE GOOD COMMON SENSE.**
- If load appears to be unsafe, do not lift or lower it.

For a free copy of other manuals that pertain to this model Liftgate, please visit our website at www.maxonlift.com or call Customer Service at (800) 227-4116.

E



WARNING

Liftgate hazards can result in crushing or falling.

Keep hands and feet clear of pinch points.

If riding liftgate, make sure load is stable and footing is solid.

F

Read and understand all instructions and WARNINGS before use.

CAUTION

Always stand clear of platform area.

C

THE MAXIMUM CAPACITY OF THIS LIFT IS
3300 POUNDS
WHEN THE LOAD IS CENTERED ON THE LOAD CARRYING PLATFORM

B

GPSLR 33 ONLY

THE MAXIMUM CAPACITY OF THIS LIFT IS
4400 POUNDS
WHEN THE LOAD IS CENTERED ON THE LOAD CARRYING PLATFORM

B

GPSLR 44 ONLY

MODEL	DECAL SHEET P/N	DECAL "B"
GPSLR-33	267431-01	2300 POUNDS
GPSLR-44	267431-02	4400 POUNDS
GPSTLR-33	267431-01	3300 POUNDS
GPSTLR-44	267431-02	4400 POUNDS

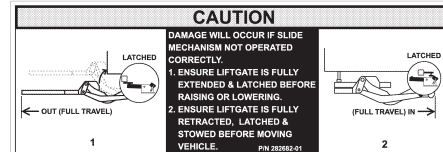
CAUTION



Prevent personal injury & equipment damage.
• Ensure Liftgate is stowed & chained before you move vehicle.
• Ensure Liftgate is unchained before you deploy Liftgate for operation.

P/N 283989-01

CAUTION DECAL
P/N 283989-01



CAUTION

DAMAGE WILL OCCUR IF SLIDE MECHANISM NOT OPERATED CORRECTLY.
1. ENSURE LIFTGATE IS FULLY EXTENDED & LATCHED BEFORE RAISING OR LOWERING.
2. ENSURE LIFTGATE IS FULLY RETRACTED, LATCHED & STOWED BEFORE MOVING VEHICLE.

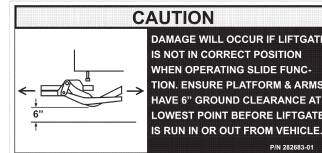
P/N 282682-01

CAUTION DECAL
P/N 282682-01

OPERATING INSTRUCTIONS

1. Unchain Liftarm. See CAUTION Decal.
2. Lower
3. Slide All The Wayout To Unstow
4. Manually Unfold Using Strap
5. Raise
6. Lower
7. Manually Fold Using Strap
8. Raise
9. Slide In All The Way
10. Raise Platform Against Buffer
11. Chain Liftarm. See CAUTION Decal.

OPERATION DECAL
P/N 282681-01

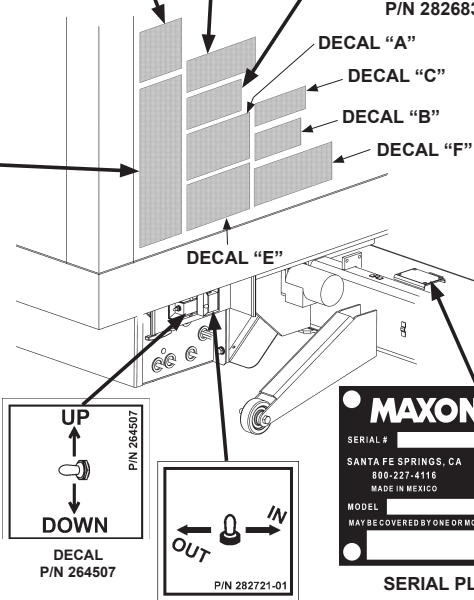


CAUTION

DAMAGE WILL OCCUR IF LIFTGATE IS NOT IN CORRECT POSITION WHEN OPERATING SLIDE FUNCTION. ENSURE PLATFORM & ARMS HAVE 6" GROUND CLEARANCE AT LOWEST POINT BEFORE LIFTGATE IS RUN IN OR OUT FROM VEHICLE.

P/N 282683-01


CAUTION DECAL
P/N 282683-01



SERIAL PLATE (REF)

DECAL
P/N 282721-01


⚠ WARNING



When unstowing & stowing platform, stay clear of bumpers.

P/N 267432-01 (A)

⚠ WARNING



To avoid injury stay out of the path where the platform unfolds. Unfold platform from the side.


P/N 267432-01 (B)

⚠ WARNING


Avoid possible injury & damage to equipment if slider moves under power. Ensure battery is disconnected from liftgate before operating the slider manually.

P/N 267432-01 (J)

MANUAL SLIDER OPERATION & ACCESS INSTRUCTIONS



OUT ONLY.
NO UP & DOWN.



IN ONLY.
NO STOW.

P/N 267432-01 (I)

⚠ WARNING

Liftgate hazards can result in crushing or falling. Keep hands and feet clear of pinch points. If riding liftgate, make sure load is stable and footing is solid.

Read and understand all instructions and WARNINGS before use.

(F)

⚠ WARNING

Keep hands clear of pinch points when folding flipover.

(M)

⚠ WARNING

To avoid possible injury and damage to equipment, never stand on lift arms, parallel arms, or bottom side of platform.

P/N 267432-01 (K)

⚠ WARNING

Keep hands & feet clear of lifting arms.

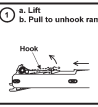
P/N 267432-01 (L)

⚠ WARNING

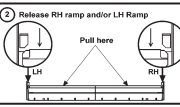
To prevent personal injury & damaged equipment, ramp must be in retention position when cart is being raised or lowered on platform.

P/N 267432-01 (G)

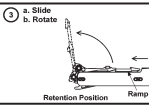
① a. Lift
b. Pull to unhook ramp



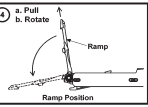
② Release RH ramp and/or LH Ramp



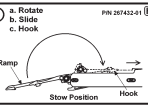
③ a. Slide
b. Rotate



④ a. Pull
b. Rotate



⑤ a. Rotate
b. Slide
c. Hook



P/N 267432-01 (H)

DECAL SHEET
P/N 267432-01

