
PE-RA-13-03

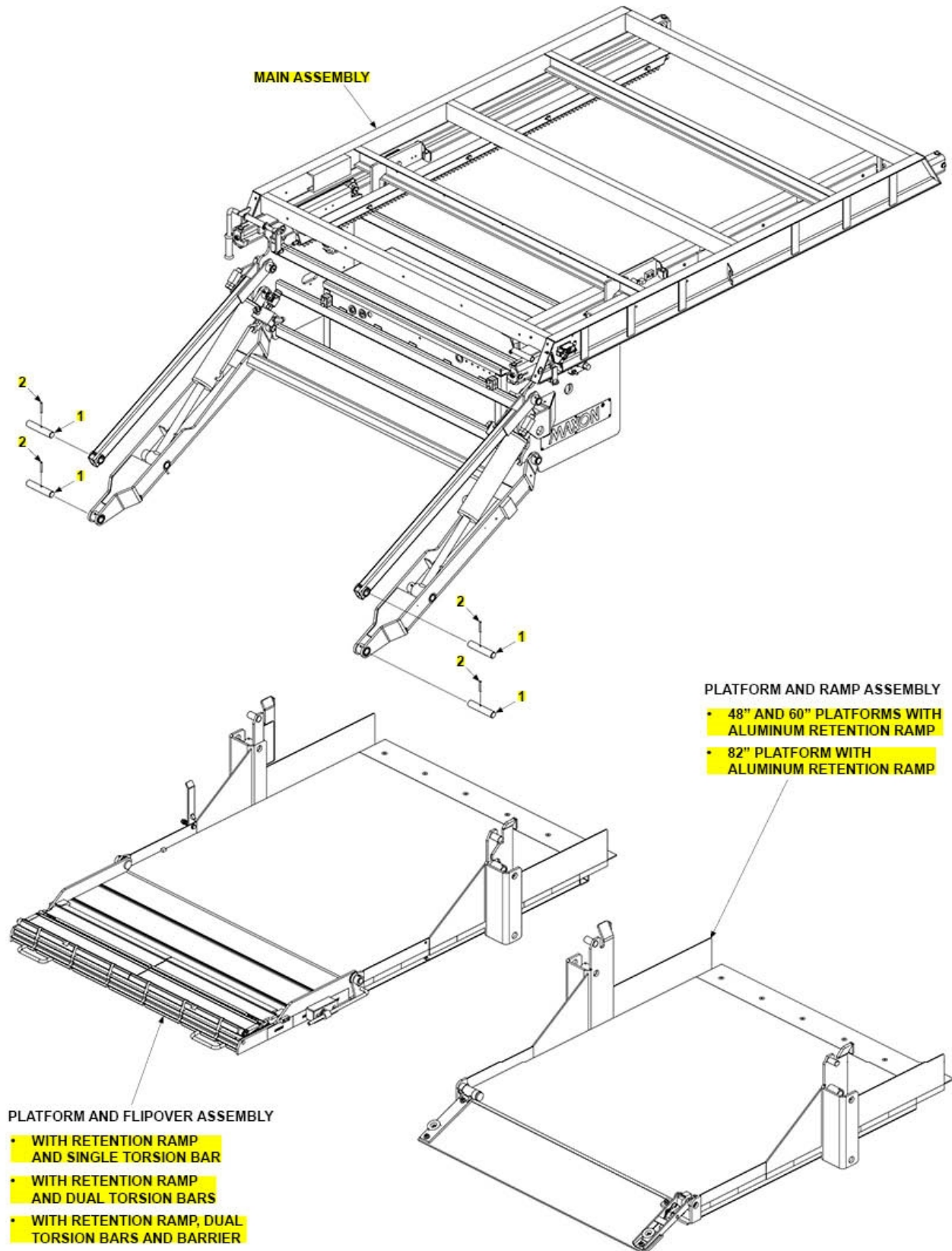
Table of Contents

Book Page	Page Number
Final Assembly	3
Main Assembly	5
Main Frame Assembly (Sept 2015 to May 2016)	7
Main Frame Assembly	10
Slider Frame Assembly	13
Platform and Flipover Retention Single	16
Platform and Flipover Retention Dual	18
Platform and Flipover Retention Dual and Barrier	20
Platform and Ramp Assembly 48 and 60 with ARR	22
Platform and Ramp Assembly 82 with ARR	24
Flipover Assembly with Single Retention Ramp	26
Flipover Assembly with Dual Retention Ramps	29
Flipover Assembly with Dual Ret Ramps and Barrier	32
Aluminum Retention Ramp	34
Battery and Pump Box Assembly 48 and 60	36
Battery and Pump Box Assembly 82 with 2 Battery	38
Battery and Pump Box Assembly 82 with 4 Battery	41
Hydraulic Components	44
Electrical Components with 2 Battery Box	47
Electrical Components with 4 Battery Box	50
Electrical Components - Stow Signal	53
12 VDC Power Unit	55
Decals	58

SPARE PARTS LIST

RA-35/45

Final Assembly

FINAL ASSEMBLY**LAST UPDATED
SEPT 2015 to present**

SPARE PARTS LIST**RA-35/45**

Final Assembly

Pos	CPN	Qty	Description
1	283730-04	1	PIN, 1" DIA. X 5-1/8" LG.
2	905033-4	1	ROLL PIN 1/4" X 1-3/4" LG.

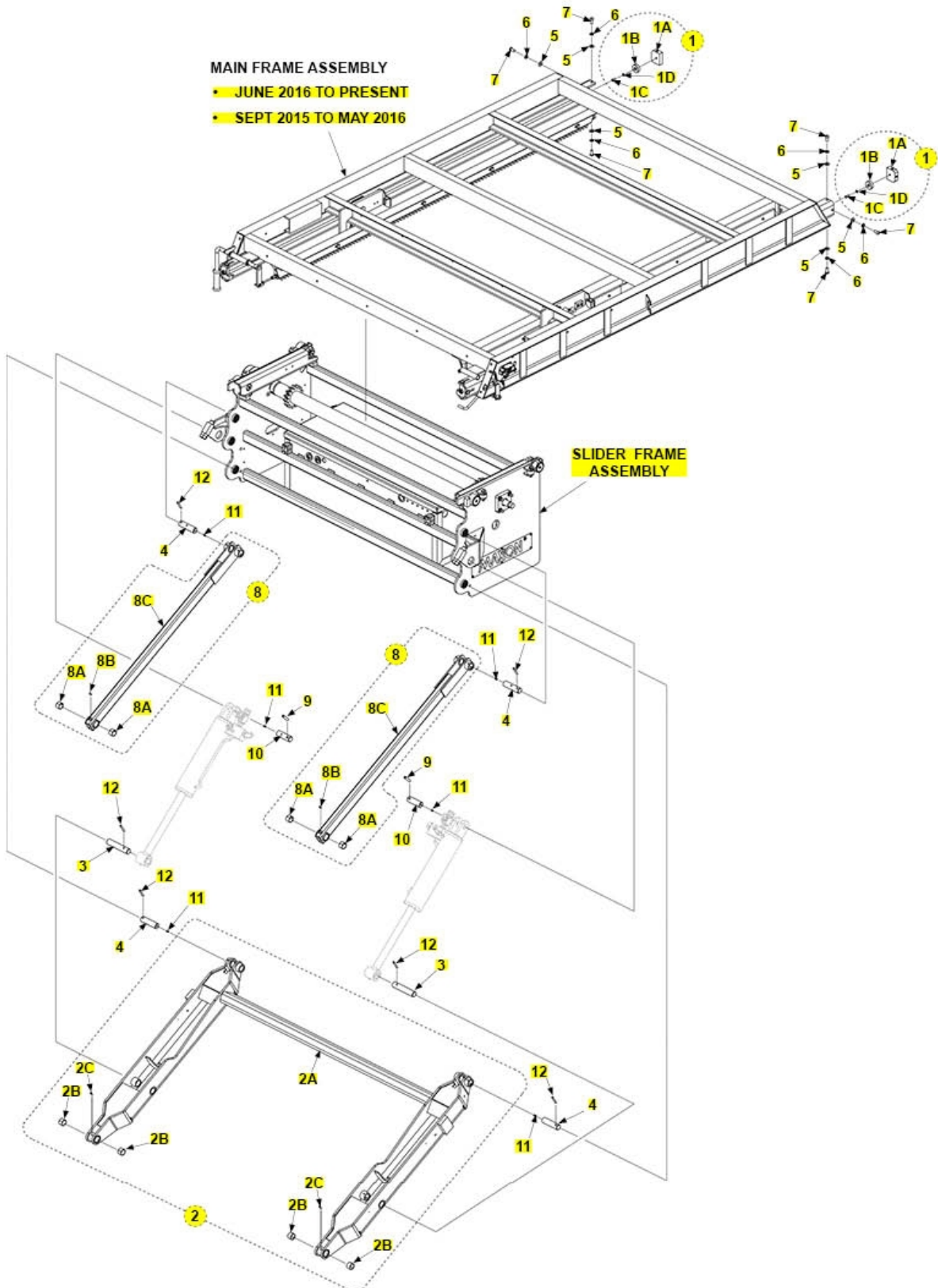
SPARE PARTS LIST

RA-35/45

Main Assembly

MAIN ASSEMBLY

LAST UPDATED
SEPT 2015 to present



SPARE PARTS LIST
RA-35/45

Main Assembly

Pos	CPN	Qty	Description
1	284919-02	1	STOP BUMBER ASSEMBLY
1A	284510-04	1	REAR SLIDING STOP BLOCK
1B	269051-01	1	ROLLER, 1-1/2"
1C	900719-05	1	BUTTON SCREW, 1/4"-20 X 3/4" LG.
1D	902019-3	1	WASHER, LOCK S/ST .487ODX.260ID
2	284356-01G	1	LIFTFRAME ASSEMBLY, 48", GALVANIZED
2	284356-02G	1	LIFTFRAME ASSEMBLY 60", GALVANIZED
2	284356-03G	1	LIFTFRAME ASSEMBLY 82", GALVANIZED
2A	284349-01G	1	LIFTFRAME WELDMENT 48", GALVANIZED
2A	284349-02G	1	LIFTFRAME WELDMENT 60", GALVANIZED
2A	284349-03G	1	LIFTFRAME WELDMENT 82", GALVANIZED
2B	908178-01	1	BEARING, PRELUBE 1" X 3/4" LG.
2C	224342	1	GREASE FITTING, 1/4"
3	283730-03	1	PIN, 1" X 5-1/8" LG.
4	283730-02	1	GREASED PIN, 1" X 3-3/4" LG.
5	903409-03	1	FENDER WASHER, 7/8"
6	902019-5	1	LOCK WASHER, 11/16"
7	900769-04	1	BUTTON SCREW, 3/8"-16 X 7/8"
8	284384-01G	1	PARALLEL ARM ASSYEMBLY, GALV.
8A	908178-01	1	BEARING, PRELUBE 1" X 3/4" LG.
8B	224342	1	GREASE FITTING, 1/4"
8C	284380-01G	1	PARALLEL ARM, GALVANIZED
9	904717-05	1	ROLL PIN, 3/8" X 1-3/4" LG.
10	283730-01	1	GREASED PIN, 1" X 3-1/8" LG.
11	224342	1	GREASE FITTING, 1/4"
12	905033-4	1	ROLL PIN, 1/4" X 1-3/4" LG.

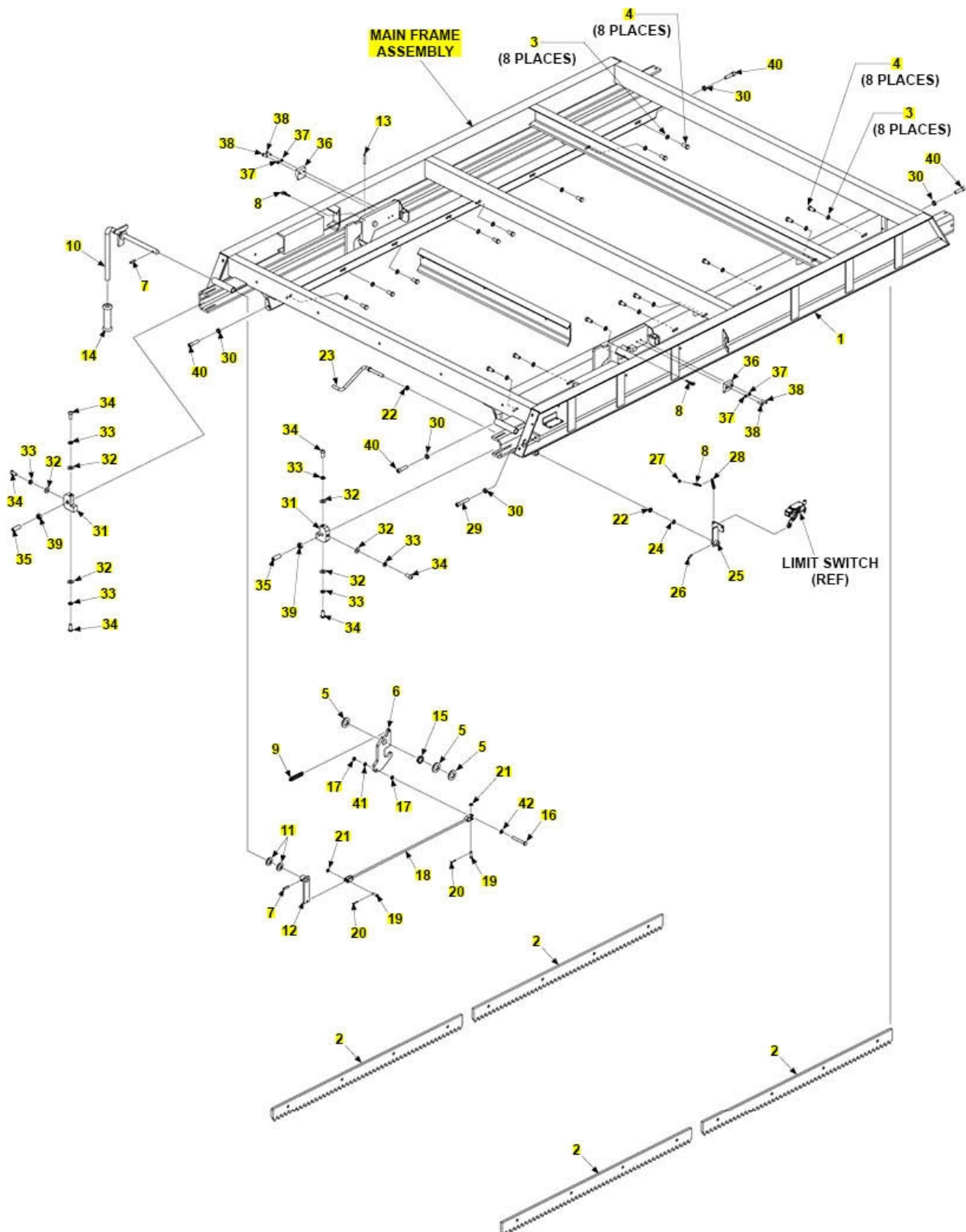
SPARE PARTS LIST

RA-35/45

Main Frame Assembly (Sept 2015 to May 2016)

MAIN FRAME ASSEMBLY

**LAST UPDATED
SEPT 2015 to MAY 2016**



SPARE PARTS LIST
RA-35/45

Main Frame Assembly (Sept 2015 to May 2016)

Pos	CPN	Qty	Description
REF	284529-01	1	MAINFRAME ASSY, 48"
REF	284529-02	1	MAINFRAME ASSY, 60"
REF	284529-03	1	MAINFRAME ASSY, 82"
1	284528-01	1	MAINFRAME WELDMENT, 48"
1	284528-02	1	MAINFRAME WELDMENT, 60"
1	284528-03	1	MAINFRAME WELDMENT, 82"
2	286996-01	1	RECT. RACK, RA
3	903448-02	1	WASHER, NORD-LOCK, 3/8"/M10
4	900764-05	1	CAP SCREW, 3/8"-16 X 7/8" LG.
5	903434-15	1	FLAT WASHER, M20
6	285368-02	1	LATCH HOOK
7	905033	1	ROLL PIN, 1/4" X 1" LG.
8	285151-01	1	EYE BOLT, #10-24
9	215345	1	EXTENTION SPRING, 15/16" X 2-1/2" LG.
10	285369-02	1	ROD HANDLE
11	903434-13	1	FLAT WASHER, M16
12	285367-02	1	HANDLE LEVER
13	905033-1	1	ROLL PIN, 1/4" X 1-1/2" LG.
14	055011	1	HANDLE
15	265072	1	BEARING, SELF LUBE, 3/4" X 3/8"
16	900009-10	1	CAP SCREW, 5/16"-18 X 2-1/2" LG, G8
17	903114-01	1	JAM NUT, 5/16"-18
18	285370-02	1	LINK BAR
19	904724-01	1	CLEVIS PIN, 1/4" X 7/8" LG.
20	904725-01	1	COTTER PIN, 1/16" X 1/2" LG.
21	902000-1	1	FLAT WASHER, 1/4"
22	908062-01	1	BEARING, SELF LUBE, 3/8" X 1/4"
23	284924-01	1	LEVER ROD
24	902000-10	1	FLAT WASHER, 3/8"
25	284925-01	1	PROTECTOR ARM

SPARE PARTS LIST**RA-35/45**

Main Frame Assembly (Sept 2015 to May 2016)

Pos	CPN	Qty	Description
26	904719-06	1	ROLL PIN, 3/16" X 3/4" LG.
27	903129-01	1	LOCK NUT, #10-24
28	908176-02	1	EXTENSION SPRING, 3/8" X 2" LG.
29	900065-08	1	SOCKET HEAD SCREW, 3/8"-16 X 2" LG.
30	903107-02	1	HEX NUT, 3/8"-16
31	284510-03	1	SLIDING STOP BLK, FRONT
32	903409-03	1	FENDER WASHER, 7/8"
33	902019-5	1	LOCK WASHER, 11/16"
34	900769-04	1	BUTTON SCREW, 3/8"-16 X 7/8" LG.
35	901209-07	1	SET SCRW, 1/2"-20 X 1-1/2" LG.
36	284539-01	1	WEAR PAD
37	902019-3	1	LOCK WASHER, 1/2"
38	900719-05	1	BUTTON SCREW, 1/4"-20 X 3/4" LG.
39	903154-01	1	HEX NUT, 1/2"-20
40	900065-06	1	SOCKET HEAD SCREW, 3/8"-16 X 1-1/2" LG.
41	902019-4	1	LOCK WASHER, 5/16"
42	903434-09	1	FLAT WASHER, M8

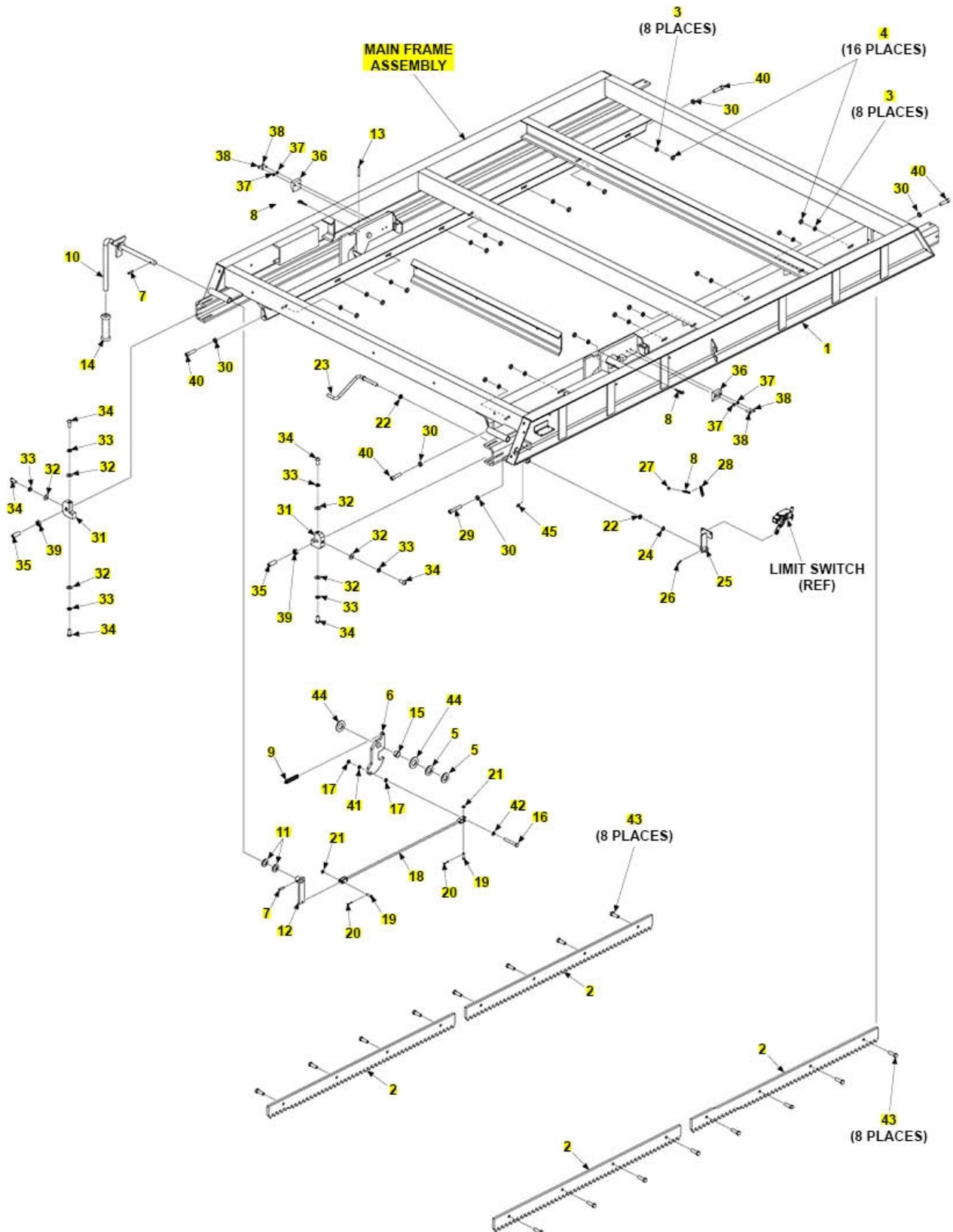
SPARE PARTS LIST

RA-35/45

Main Frame Assembly

MAIN FRAME ASSEMBLY

LAST UPDATED
JUNE 2016 to present



SPARE PARTS LIST
RA-35/45

Main Frame Assembly

Pos	CPN	Qty	Description
REF	284529-01	1	MAINFRAME ASSY, 48"
REF	284529-02	1	MAINFRAME ASSY, 60"
REF	284529-03	1	MAINFRAME ASSY, 82"
1	284528-01	1	MAINFRAME WELDMENT, 48"
1	284528-02	1	MAINFRAME WELDMENT, 60"
1	284528-03	1	MAINFRAME WELDMENT, 82"
2	297267-01	1	RECT. RACK, RA
3	902019-5	1	WASHER, LOCK S/ST .680ODX.385ID
4	903107-02	1	NUT, HEX .375-16 UNC SS
5	903434-15	1	FLAT WASHER, M20
6	285368-02	1	LATCH HOOK
7	905033	1	ROLL PIN, 1/4" X 1" LG.
8	285151-01	1	EYE BOLT, #10-24
9	215345	1	EXTENTION SPRING, 15/16" X 2-1/2" LG.
10	285369-02	1	ROD HANDLE
11	903434-13	1	FLAT WASHER, M16
12	285367-02	1	HANDLE LEVER
13	905033-1	1	ROLL PIN, 1/4" X 1-1/2" LG.
14	055011	1	HANDLE
15	260917-04	1	BEARING SELF LUBE 3/4X1/2
16	900009-10	1	CAP SCREW, 5/16"-18 X 2-1/2" LG, G8
17	903114-01	1	JAM NUT, 5/16"-18
18	285370-02	1	LINK BAR
19	904724-01	1	CLEVIS PIN, 1/4" X 7/8" LG.
20	904725-01	1	COTTER PIN, 1/16" X 1/2" LG.
21	902000-1	1	FLAT WASHER, 1/4"
22	908062-01	1	BEARING, SELF LUBE, 3/8" X 1/4"
23	284924-01	1	LEVER ROD
24	902000-10	1	FLAT WASHER, 3/8"
25	284925-01	1	PROTECTOR ARM

SPARE PARTS LIST
RA-35/45

Main Frame Assembly

Pos	CPN	Qty	Description
26	904719-06	1	ROLL PIN, 3/16" X 3/4" LG.
27	903129-01	1	LOCK NUT, #10-24
28	908176-02	1	EXTENSION SPRING, 3/8" X 2" LG.
29	900065-08	1	SOCKET HEAD SCREW, 3/8"-16 X 2" LG.
30	903107-02	1	HEX NUT, 3/8"-16
31	284510-03	1	SLIDING STOP BLK, FRONT
32	903409-03	1	FENDER WASHER, 7/8"
33	902019-5	1	LOCK WASHER, 11/16"
34	900769-04	1	BUTTON SCREW, 3/8"-16 X 7/8" LG.
35	901209-07	1	SET SCRW, 1/2"-20 X 1-1/2" LG.
36	284539-01	1	WEAR PAD
37	902019-3	1	LOCK WASHER, 1/2"
38	900719-05	1	BUTTON SCREW, 1/4"-20 X 3/4" LG.
39	903154-01	1	HEX NUT, 1/2"-20
40	900065-06	1	SOCKET HEAD SCREW, 3/8"-16 X 1-1/2" LG.
41	902019-4	1	WASHER, LOCK S/ST .583ODX.322ID
42	903434-09	1	FLAT WASHER, M8
43	900764-07	1	SCREW, HEX CAP .38-16X1.25, SS
44	902000-22	1	WASHER, FLAT .875 .090 THK
45	224342	1	FITTING, GREASE 1/4"SELF DRILL

SPARE PARTS LIST

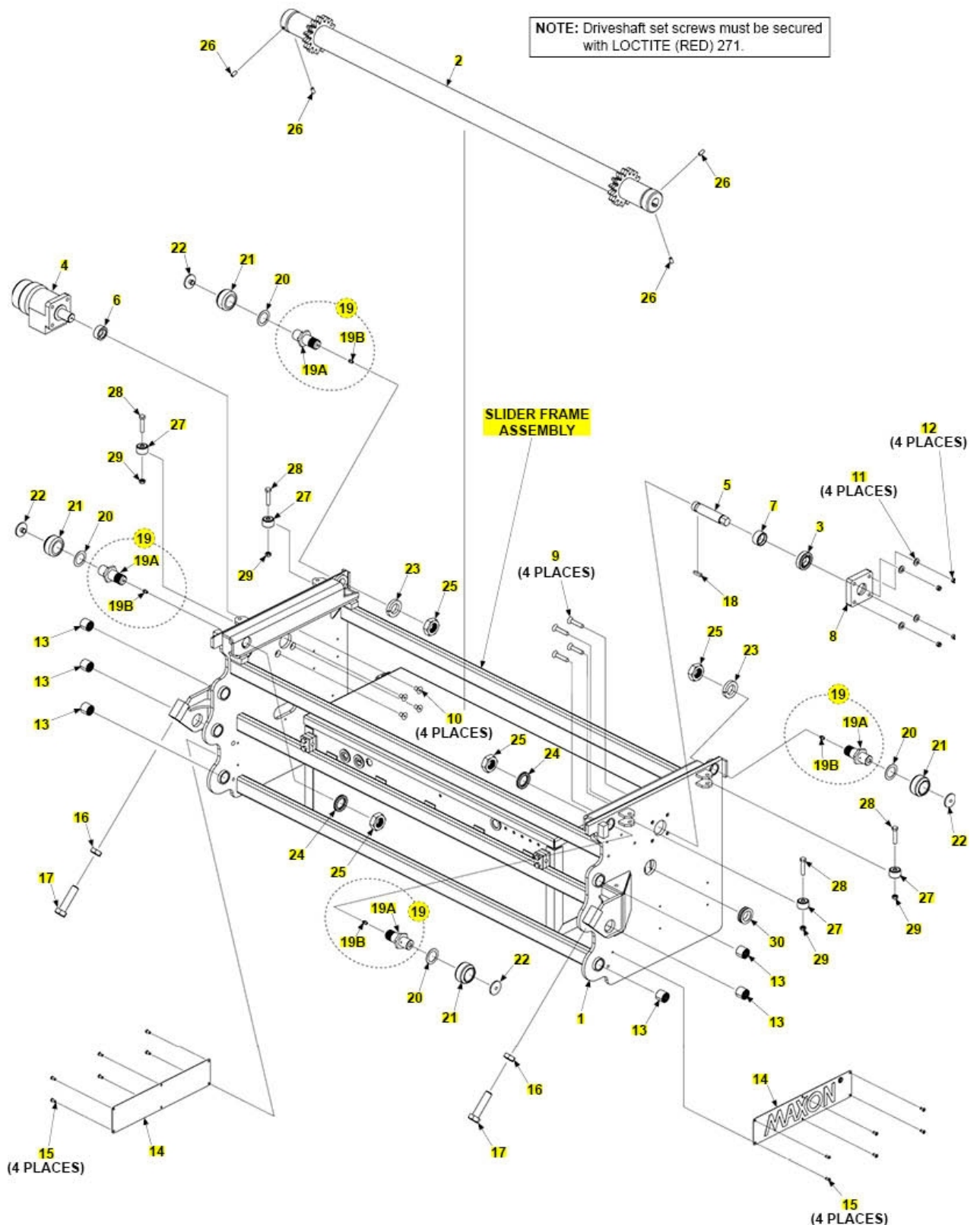
RA-35/45

Slider Frame Assembly

SLIDER FRAME ASSEMBLY

LAST UPDATED
SEPT 2015 to present

NOTE: Driveshaft set screws must be secured with LOCTITE (RED) 271.



SPARE PARTS LIST
RA-35/45

Slider Frame Assembly

Pos	CPN	Qty	Description
REF	284530-01	1	SLIDER FRAME ASSEMBLY, 48"
REF	284530-02	1	SLIDER FRAME ASSEMBLY, 60"
REF	284530-03	1	SLIDER FRAME ASSEMBLY, 82"
REF	284530-04	1	SLIDER FRAME ASSEMBLY, 82" WITH BRACKET
1	284522-01	1	SLIDER FRAME, 48"
1	284522-02	1	SLIDER FRAME, 60"
1	284522-03	1	SLIDER FRAME, 82"
2	284526-01	1	DRIVE TUBE/ PINION, 56-1/8" LG.
2	284526-02	1	DRIVE TUBE/ PINION, 68-1/8" LG.
2	284526-03	1	DRIVE TUBE/ PINION, 90-1/8" LG.
3	268265-01	1	RADIAL ROLLER BEARING
4	288226-01	1	HYDRAULIC MOTOR, 9.4 DISPLACEMENT
5	268294-01	1	MANUAL DRIVE SHAFT
6	268561-01	1	SPROCKET ALIGNMENT BUSHING, 11/16" LG.
7	268561-02	1	SPROCKET ALIGNMENT BUSHING, 3/4" LG.
8	RSM0107	1	SL15 BEARING HOUSING
9	900061-8	1	FLUSH SOCKET HEAD SCREW, 3/8"-16 X 2" LG.
10	900061-3	1	FLUSH SOCKET HEAD SCREW, 3/8"-16 X 3/4" LG.
11	903434-10	1	FLAT WASHER, M10
12	903134-01	1	LOCK NUT, 3/8"-16
13	908178-02	1	BEARING , PRELUBE, 1" X 1" LG.
14	050175	1	MAXON PLATE
15	904002-1	1	BLIND RIVET, 3/16" X 11/16" LG.
16	251288	1	LOCK NUT, 3/4"-10
17	900032-4	1	HEX SCREW, 3/4"-10 X 3" LG.
18	285803-01	1	BLOCK
19	295974-02	1	CAM FOLLOWER PIN, 1-1/8"-12

SPARE PARTS LIST**RA-35/45**

Slider Frame Assembly

Pos	CPN	Qty	Description
19A	295976-02	1	AXLE, CAM FOLLOWER, 1-1/8"-12 THREAD
19B	224342	1	GREASE FITTING, 1/4"
20	903463-02	1	TEFLON WASHER, 1-3/4"
21	295975-02	1	ROLLER, 1" ID, 2" OD
22	295962-01	1	ROLLER END CAP
23	903457-01	1	SPLIT LOCK WASHER, 1-1/8"
24	903435-12	1	NORD-LOCK WASHER, 1-1/8"/M30
25	903158-01	1	HEX NUT, THIN, 1-1/8"-12
26	903006-4	1	SET SCREW, 5/16"-18 X 3/4" LG.
27	201966	1	ROLLER YOKE, 1-1/4"
28	900764-12	1	CAP SCREW, 3/8"-16 X 1-3/4" LG.
29	903152-01	1	LOCK NUT, 3/8"-16
30	295919-01	1	GROMMET, 1-3/4"

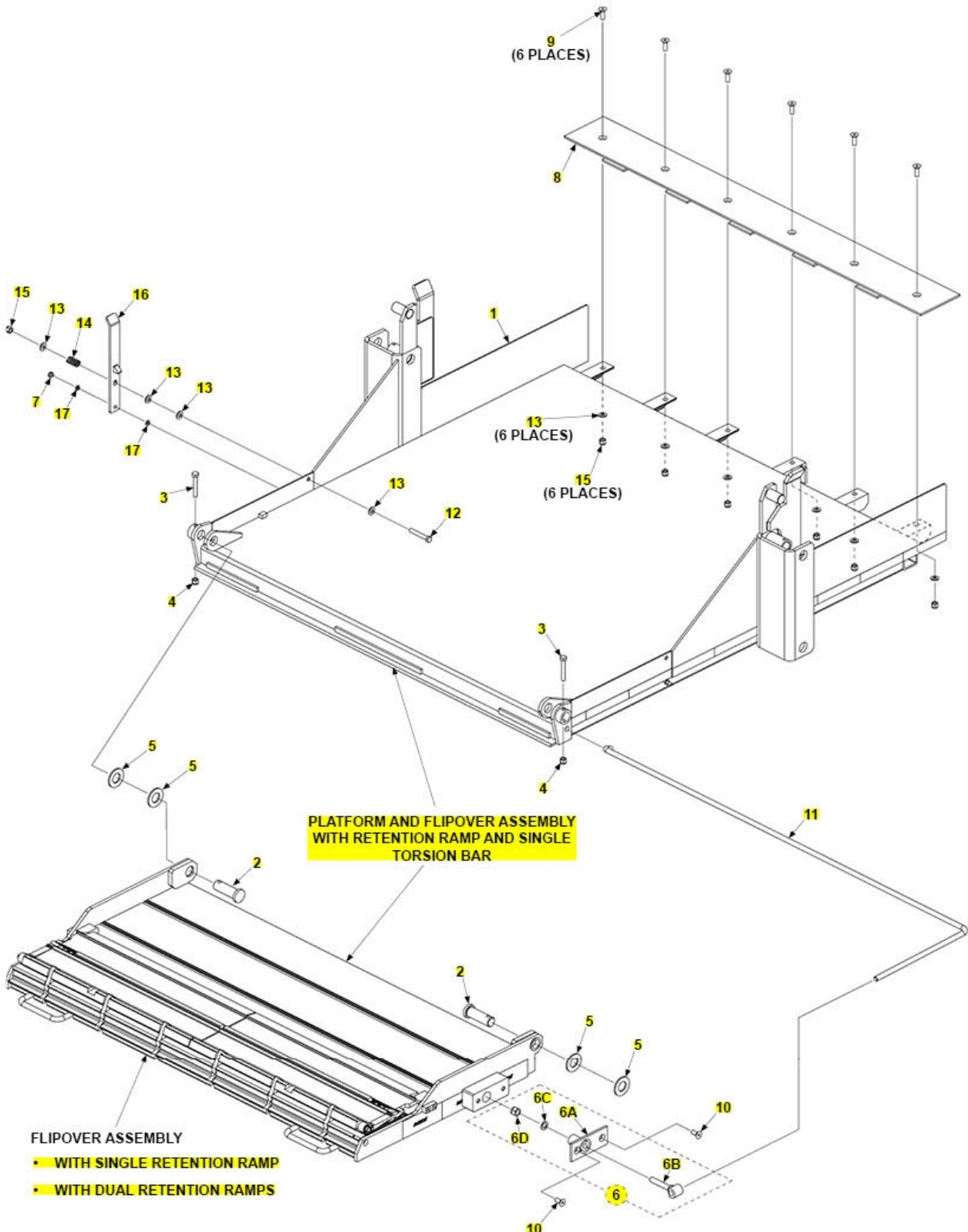
SPARE PARTS LIST

RA-35/45

Platform and Flipover Assembly with Retention Ramp and Single Torsion Bar

PLATFORM AND FLIPOVER ASSEMBLY WITH RETENTION RAMP AND SINGLE TORSION BAR

LAST UPDATED
SEPT 2015 to present



SPARE PARTS LIST
RA-35/45

Platform and Flipover Assembly with Retention Ramp and Single Torsion Bar

Pos	CPN	Qty	Description
REF	286614-01	1	P/F & F/O, 48" PF BLK, DBL R/R
REF	286614-02	1	P/F & F/O, 60" PF BLK, DBL R/R
REF	286614-04	1	P/F & F/O, 48" PF BLK, SR/R
REF	286614-05	1	P/F & F/O, 60" PF BLK, SR/R
1	286598-01	1	PLATFORM, 48"
1	286598-02	1	PLATFORM, 60"
2	295423-02	1	PIN RIVET, 3" LG.
3	901602-10	1	HEX BOLT, 5/16"-18 X 2" LG.
4	903106-10	1	LOCK NUT, 5/16"-18
5	902013-18	1	WASHER, FLAT 2X1-1/16X9/64 ZC
6	285595-02	1	TORSION BAR BRACKET ASSEMBLY
6A	285594-02	1	TORSION BAR BRACKET
6B	267206-01	1	ANCHOR BOLT
6C	902000-14	1	FLAT WASHER, 1/2"
6D	901010	1	LOCK NUT, 1/2-13
7	901016-2	1	LOCK NUT 1/4"-20
8	287520-08	1	PLATFORM PLATE, 49-7/8" X 5-1/2" (48" PLATFORM)
8	287520-09	1	PLATFORM PLATE, 61-7/8" X 5-1/2" (60" PLATFORM)
9	900061-5	1	FLUSH SOCKET HEAD SCREW, 3/8"-16 X 1-1/8" LG.
10	900061-4	1	SOCKET HEAD SCREW, 3/8"-16 X 1" LG.
11	286445-02	1	TORSION BAR
12	900014-10	1	CAP SCREW, 3/8"-16 X 2-1/2" LG.
13	902000-10	1	FLAT WASHER, 3/8"
14	287570-01	1	LATCH SPRING
15	901002	1	LOCK NUT, 3/8"-16
16	281862-02	1	LATCH HANDLE
17	902000-1	1	FLAT WASHER, 1/4"

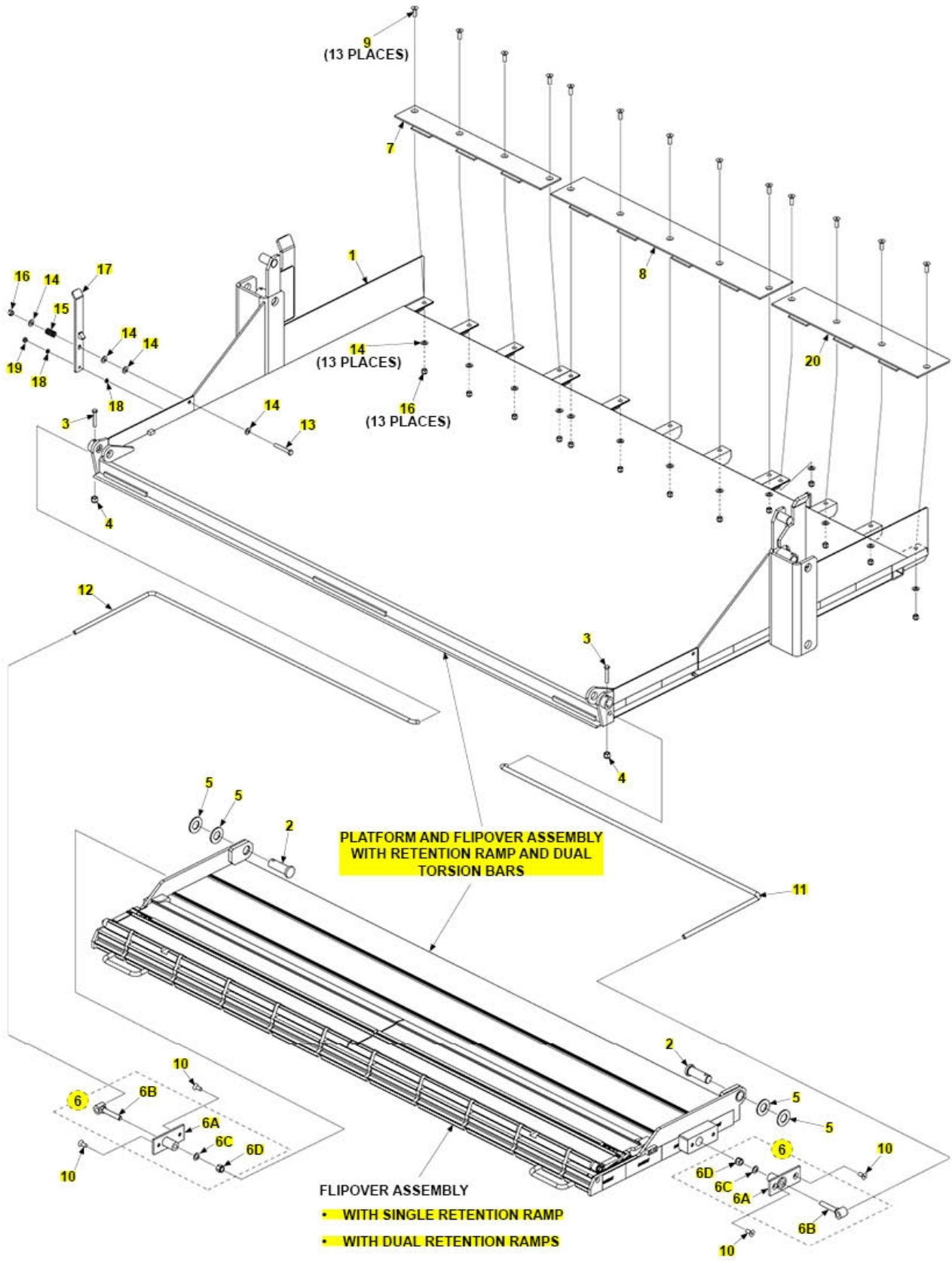
SPARE PARTS LIST

RA-35/45

Platform and Flipover Assembly with Retention Ramp and Dual Torsion Bars

PLATFORM AND FLIPOVER ASSEMBLY WITH RETENTION RAMP AND DUAL TORSION BARS

LAST UPDATED
SEPT 2015 to present



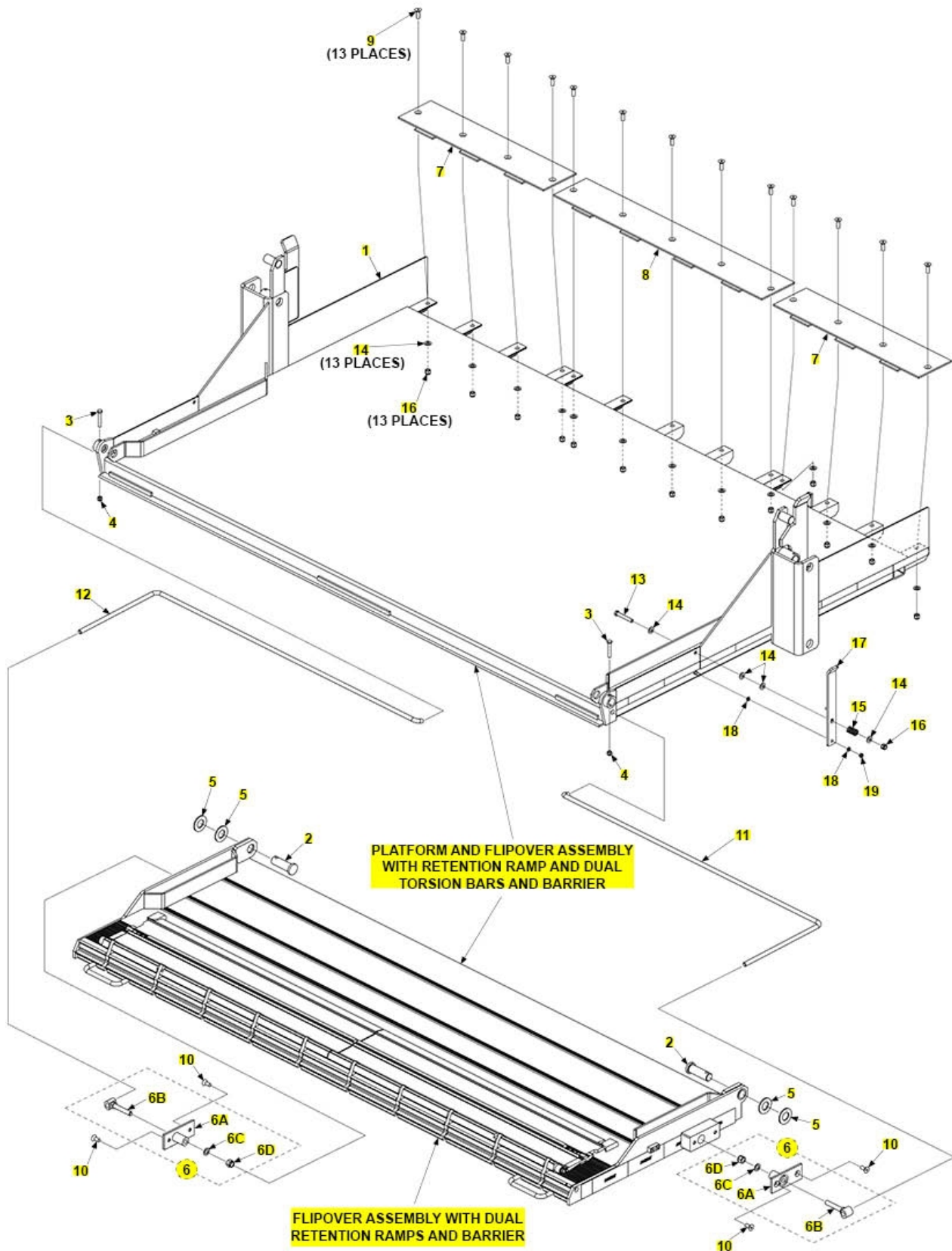
SPARE PARTS LIST**RA-35/45**

Platform and Flipover Assembly with Retention Ramp and Dual Torsion Bars

Pos	CPN	Qty	Description
REF	286614-03	1	P/F & F/O, 82" PF BLK, DBL R/R
REF	286614-06	1	P/F & F/O, 82" PF BLK, SR/R
1	286598-03	1	PLATFORM, 82"
2	295423-02	1	PIN RIVET, 3" LG.
3	901602-10	1	HEX BOLT, 5/16"-18 X 2" LG.
4	903106-10	1	LOCK NUT, 5/16"-18
5	902013-18	1	WASHER, FLAT 2X1-1/16X9/64 ZC
6	285595-02	1	TORSION BAR BRACKET ASSEMBLY
6A	285594-02	1	TORSION BAR BRACKET
6B	267206-01	1	ANCHOR BOLT
6C	902000-14	1	FLAT WASHER, 1/2"
6D	901010	1	LOCK NUT, 1/2-13
7	287520-04	1	PLATFORM PLATE, 24-3/8" X 3-7/16"
8	287520-07	1	PLATFORM PLATE, 34-15/16" X 5-1/2"
9	900061-5	1	FLUSH SOCKET HEAD SCREW, 3/8"-16 X 1-1/8" LG.
10	900061-4	1	SOCKET HEAD SCREW, 3/8"-16 X 1" LG.
11	286445-01	1	TORSION BAR, RH
12	287568-01	1	TORSION BAR, LH
13	900014-10	1	CAP SCREW, 3/8"-16 X 2-1/2" LG.
14	902000-10	1	FLAT WASHER, 3/8"
15	287570-01	1	LATCH SPRING
16	901002	1	LOCK NUT, 3/8"-16
17	281862-02	1	LATCH HANDLE
18	902000-1	1	FLAT WASHER, 1/4"
19	901016-2	1	LOCK NUT 1/4"-20
20	287520-06	1	PLATFORM PLATE, 24-3/8" X 5-1/2"

SPARE PARTS LIST**RA-35/45**

Platform and Flipover Assembly with Retention Ramp Dual Torsion Bars and Barrier

PLATFORM AND FLIPOVER ASSEMBLY WITH RETENTION RAMP, DUAL TORSION BARS AND BARRIER**LAST UPDATED**
SEPT 2015 to present

SPARE PARTS LIST
RA-35/45

Platform and Flipover Assembly with Retention Ramp Dual Torsion Bars and Barrier

Pos	CPN	Qty	Description
REF	286614-07	1	P/F & (F/O 28"), 82" PF BLK, DBL R/R
1	286598-04	1	PLATFORM, 82" WITH BAR
2	295423-02	1	PIN RIVET, 3" LG.
3	901602-10	1	HEX BOLT, 5/16"-18 X 2" LG.
4	903106-10	1	LOCK NUT, 5/16"-18
5	902013-18	1	WASHER, FLAT 2X1-1/16X9/64 ZC
6	285595-02	1	TORSION BAR BRACKET ASSEMBLY
6A	285594-02	1	TORSION BAR BRACKET
6B	267206-01	1	ANCHOR BOLT
6C	902000-14	1	FLAT WASHER, 1/2"
6D	901010	1	LOCK NUT, 1/2-13
7	287520-06	1	PLATFORM PLATE, 24-3/8" X 5-1/2"
8	287520-07	1	PLATFORM PLATE, 34-15/16" X 5-1/2"
9	900061-5	1	FLUSH SOCKET HEAD SCREW, 3/8"-16 X 1-1/8" LG.
10	900061-4	1	SOCKET HEAD SCREW, 3/8"-16 X 1" LG.
11	286445-01	1	TORSION BAR, RH
12	287445-03	1	TORSION BAR, LH
13	900014-10	1	CAP SCREW, 3/8"-16 X 2-1/2" LG.
14	902000-10	1	FLAT WASHER, 3/8"
15	287570-01	1	LATCH SPRING
16	901002	1	LOCK NUT, 3/8"-16
17	281862-02	1	LATCH HANDLE
18	902000-1	1	FLAT WASHER, 1/4"
19	901016-2	1	LOCK NUT 1/4"-20

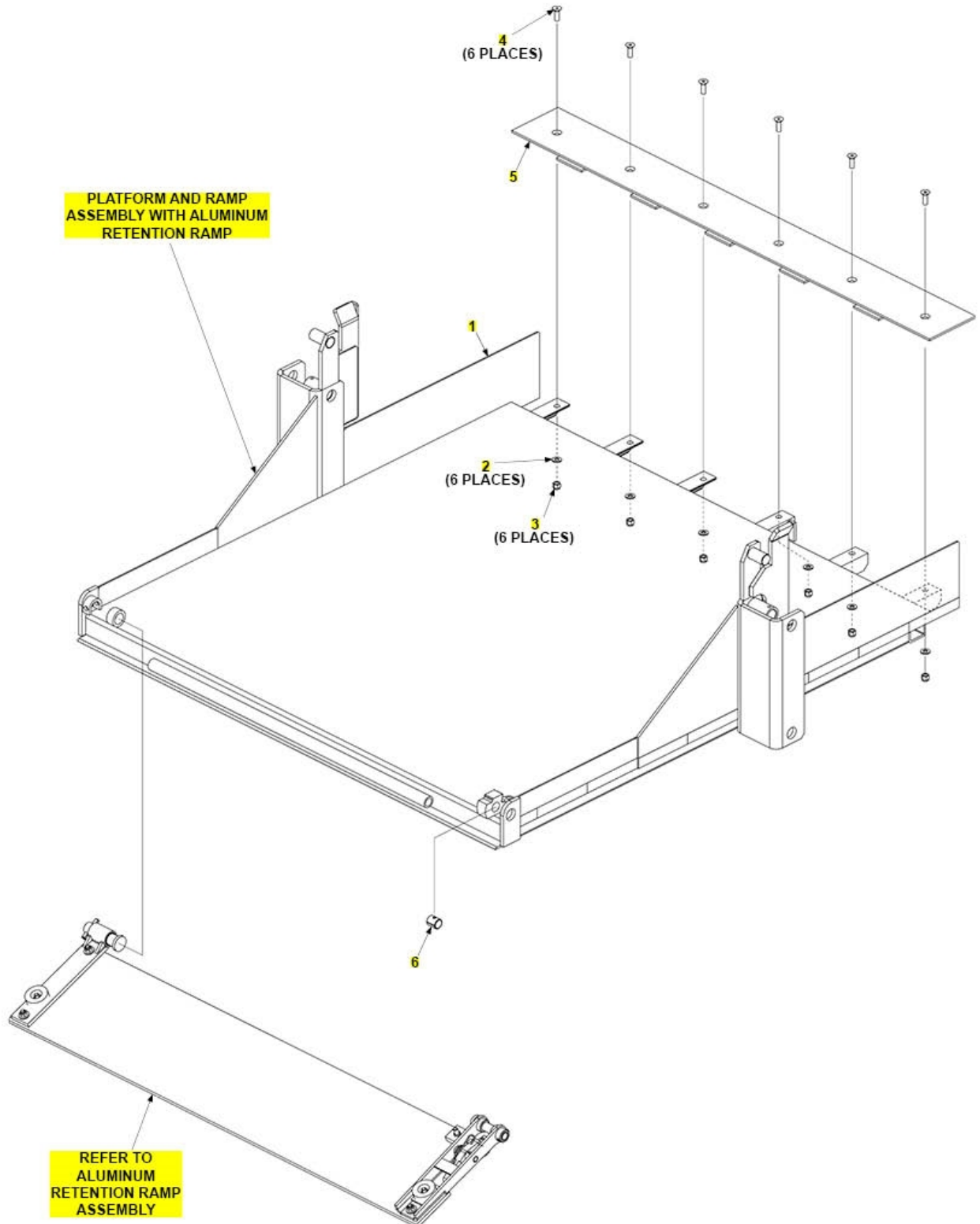
SPARE PARTS LIST

RA-35/45

Platform and Ramp Assembly 48 and 60 Platforms with Aluminum Retention Ramp

PLATFORM AND RAMP ASSEMBLY, 48" AND 60" PLATFORMS WITH ALUMINUM RETENTION RAMP

LAST UPDATED
SEPT 2015 to present



SPARE PARTS LIST**RA-35/45**

Platform and Ramp Assembly 48 and 60 Platforms with Aluminum Retention Ramp

Pos	CPN	Qty	Description
REF	289275-01	1	P/F & F/RAMP, 48" PF
REF	289275-02	1	P/F & F/RAMP, 60" PF
1	289274-01	1	PLATFORM, 48"
1	289274-02	1	PLATFORM, 60"
2	902000-10	1	FLAT WASHER, 3/8"
3	901002	1	LOCK NUT, 3/8"-16
4	900061-5	1	FLUSH SOCKET HEAD SCREW, 3/8"-16 X 1-1/8" LG.
5	287520-08	1	PLATFORM PLATE, 49-7/8" X 5-1/2" (48" PLATFORM)
5	287520-09	1	PLATFORM PLATE, 61-7/8" X 5-1/2" (60" PLATFORM)
6	260917-06	1	BEARING, 3/4" X 1" LG, SELF LUBE

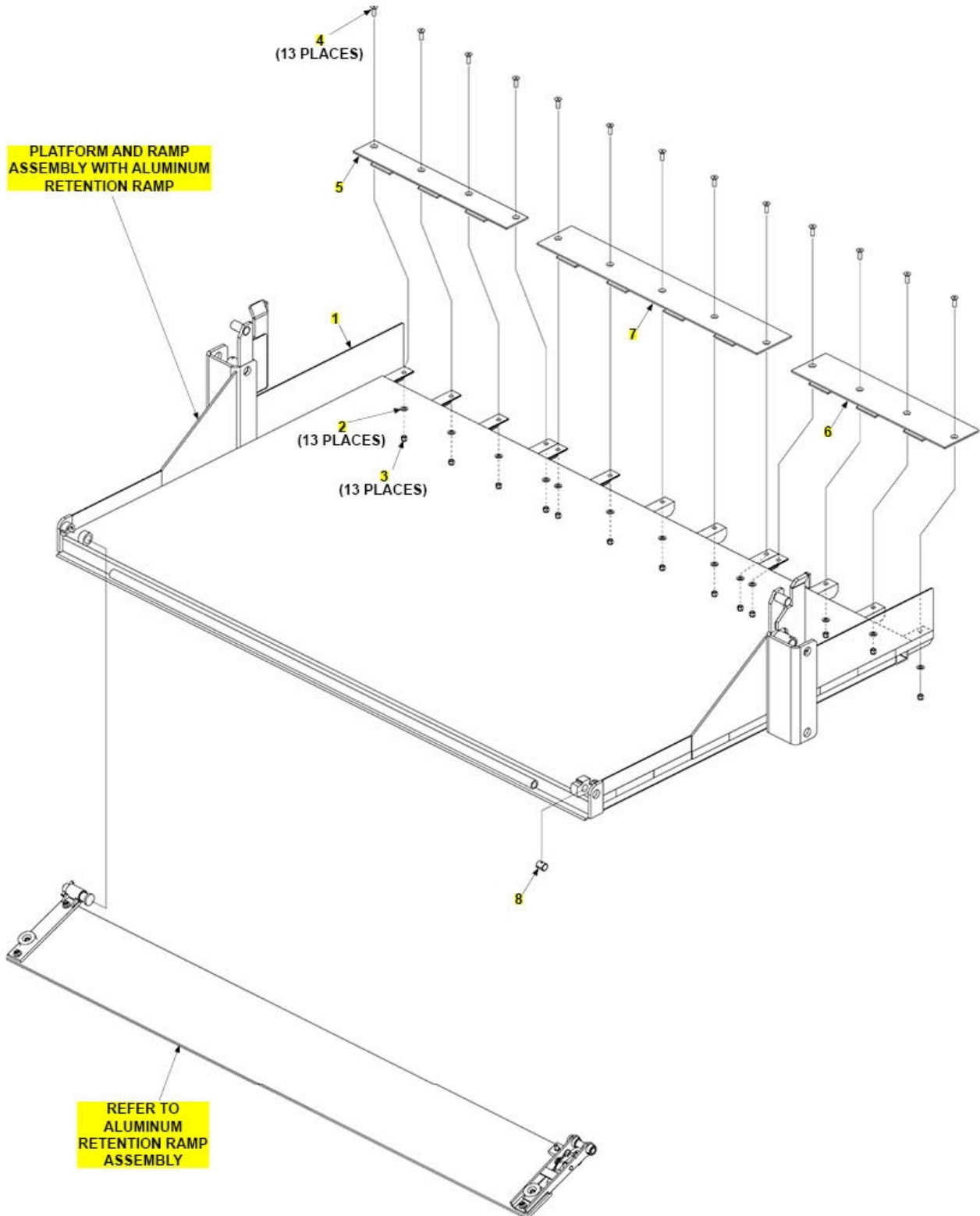
SPARE PARTS LIST

RA-35/45

Platform and Ramp Assembly 82" Platform with Aluminum Retention Ramp

PLATFORM AND RAMP ASSEMBLY, 82" PLATFORM WITH ALUMINUM RETENTION RAMP

LAST UPDATED
SEPT 2015 to present



SPARE PARTS LIST**RA-35/45**

Platform and Ramp Assembly 82 Platform with Aluminum Retention Ramp

Pos	CPN	Qty	Description
REF	289275-03	1	P/F & F/RAMP, 82" PF
1	289274-03	1	PLATFORM, 82"
2	902000-10	1	FLAT WASHER, 3/8"
3	901002	1	LOCK NUT, 3/8"-16
4	900061-5	1	FLUSH SOCKET HEAD SCREW, 3/8"-16 X 1-1/8" LG.
5	287520-04	1	PLATFORM PLATE, 24-3/8" X 3-7/16"
6	287520-06	1	PLATFORM PLATE, 24-3/8" X 5-1/2"
7	287520-07	1	PLATFORM PLATE, 34-15/16" X 5-1/2"
8	260917-06	1	BEARING, 3/4" X 1" LG, SELF LUBE

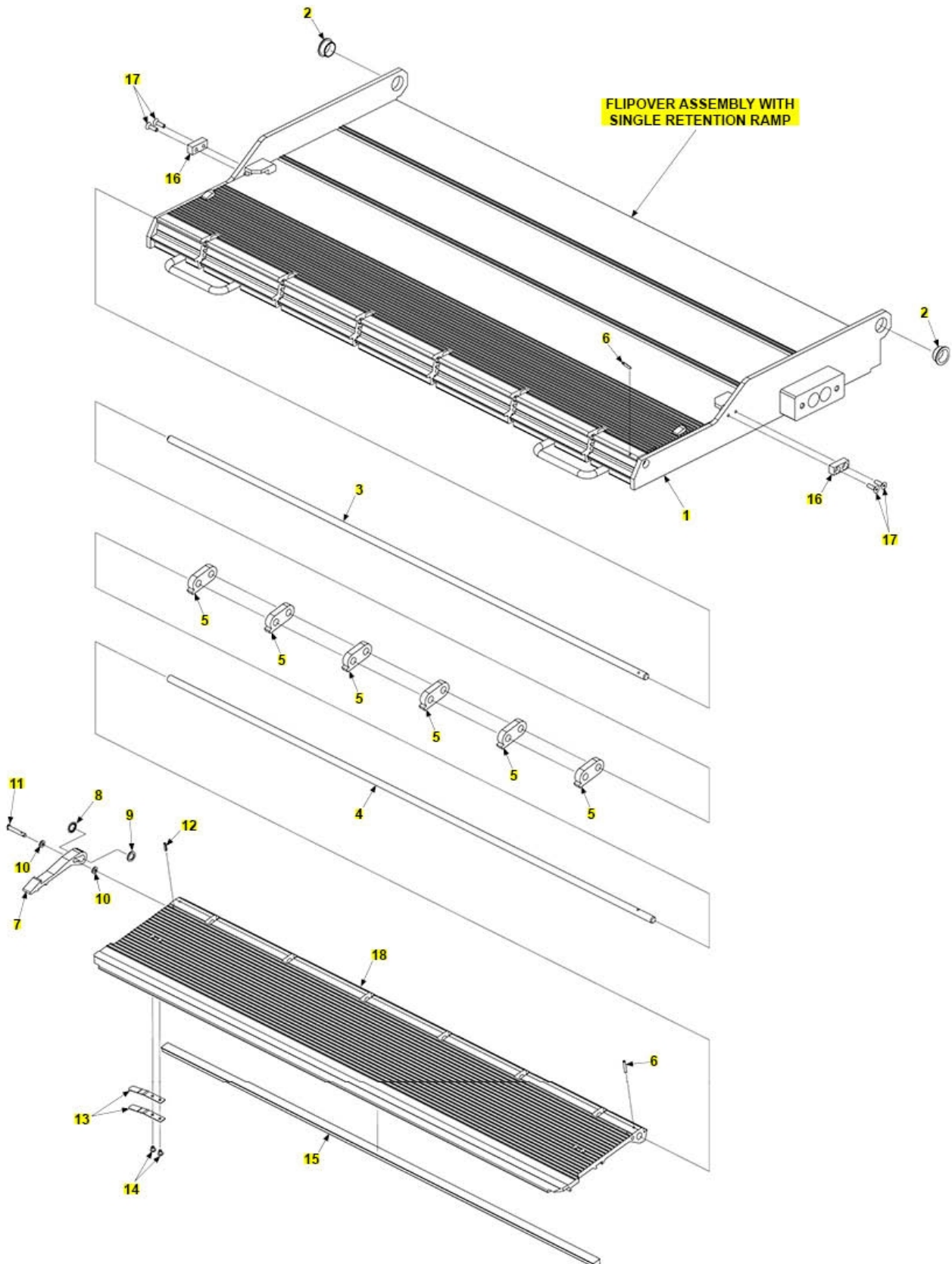
SPARE PARTS LIST

RA-35/45

Flipover Assembly with Single Retention Ramp

FLIPOVER ASSEMBLY WITH SINGLE RETENTION RAMP

LAST UPDATED
SEPT 2015 to present



SPARE PARTS LIST
RA-35/45

Flipover Assembly with Single Retention Ramp

Pos	CPN	Qty	Description
REF	285950-07	1	ALUM F/O ASSY, 82.5",SRR
REF	285950-08	1	ALUM F/O ASSY, 60.5",SRR
REF	285950-09	1	ALUM F/O ASSY, 48.5",SRR
1	285951-07	1	ALUMINUM FLIPOVER, 24" X 82-1/2", SINGLE RETENTION RAMP
1	285951-08	1	ALUMINUM FLIPOVER, 24" X 60-1/2", SINGLE RETENTION RAMP
1	285951-09	1	ALUMINUM FLIPOVER, 24" X 48-1/2", SINGLE RETENTION RAMP
2	261837-02	1	FLANGED BUSHING, 1" X 3/4" LG.
3	267045-10	1	ROD HINGE, 1/2" X 82-1/4" LG.
3	267045-12	1	ROD HINGE, 1/2" X 60-1/4" LG.
3	267045-14	1	ROD HINGE, 1/2" X 48-1/4" LG.
4	267045-29	1	ROD, HINGE .50 DIA X 83.00"LG
4	267045-30	1	ROD, HINGE .50 DIA X 61.00"LG
4	267045-31	1	ROD, HINGE .50 DIA X 49.00"LG
5	311022-10	1	FLIPOVER HINGE, 1/2" LG.
6	905007-07	1	ROLL PIN 1/8" X 1" LG.
7	311038-11	1	RETENTION RAMP HOOK
8	903420-01	1	RETAINING RING, 1/2"
9	903413-02	1	NYLON WASHER, 1/2"
10	903421-02	1	NYLON WASHER, 1/4"
11	283951-01	1	CLEVIS PIN, 1/4" X 1-5/8" LG.
12	905007-03	1	ROLL PIN 3/16" X 5/8" LG.
13	267326-01	1	SPRING HOOK
14	904005-1	1	BLIND DOME RIVET, 3/16" X 7/16" LG.
15	905318-24	1	BUMPER, 77-11/16" LG.
15	905318-25	1	BUMPER, 55-11/16" LG.
15	905318-26	1	BUMPER, 43-11/16" LG.
16	287473-01	1	STOP LATCH

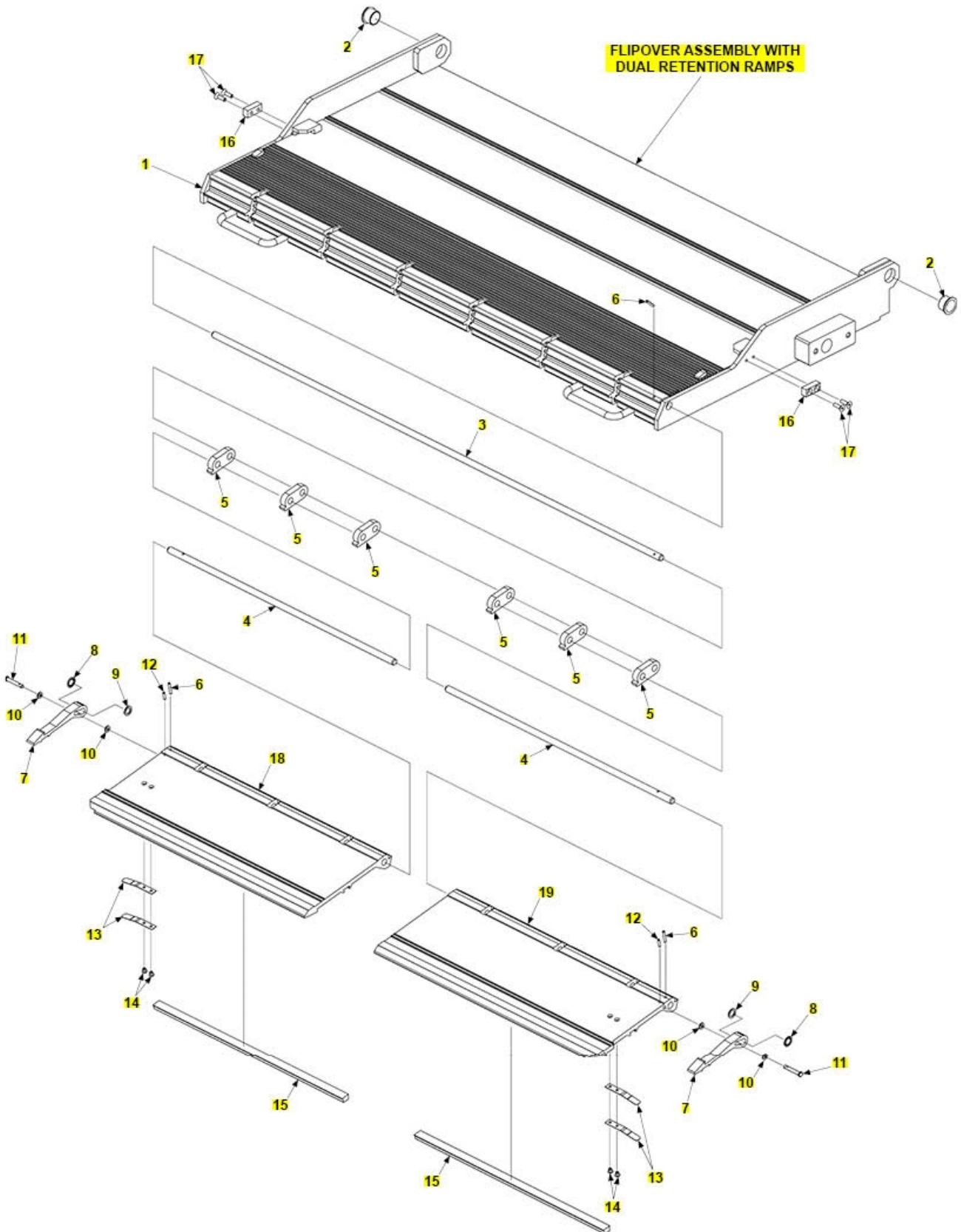
SPARE PARTS LIST**RA-35/45**

Flipover Assembly with Single Retention Ramp

Pos	CPN	Qty	Description
17	900711-04	1	FLUSH SOCKET HEAD SCREW, 1/4"-20 X 7/8" LG.
18	267041-22	1	FLIPOVER RAMP, 81-3/8" LG.
18	267041-23	1	FLIPOVER RAMP, 59-3/8" LG.
18	267041-24	1	FLIPOVER RAMP, 47-3/8" LG.

SPARE PARTS LIST**RA-35/45**

Flipover Assembly with Dual Retention Ramps

FLIPOVER ASSEMBLY WITH DUAL RETENTION RAMPS**LAST UPDATED**
SEPT 2015 to present

SPARE PARTS LIST
RA-35/45

Flipover Assembly with Dual Retention Ramps

Pos	CPN	Qty	Description
REF	285950-04	1	ALUM F/O ASSY, 82.5"
REF	285950-05	1	ALUM F/O ASSY, 60.5"
REF	285950-06	1	ALUM F/O ASSY, 48.5"
1	285951-04	1	ALUMINUM FLIPOVER, 24" X 82-1/2"
1	285951-05	1	ALUMINUM FLIPOVER, 24" X 60-1/2"
1	285951-06	1	ALUMINUM FLIPOVER, 24" X 48-1/2"
2	261837-02	1	FLANGED BUSHING, 1" X 3/4" LG.
3	267045-10	1	ROD HINGE, 1/2" X 82-1/4" LG.
3	267045-12	1	ROD HINGE, 1/2" X 60-1/4" LG.
3	267045-14	1	ROD HINGE, 1/2" X 48-1/4" LG.
4	267045-11	1	ROD HINGE, 1/2" X 41-5/16" LG.
4	267045-13	1	ROD HINGE, 1/2" X 30-5/16" LG.
4	267045-15	1	ROD HINGE, 1/2" X 24-5/16" LG.
5	311022-10	1	FLIPOVER HINGE, 1/2" LG.
6	905007-07	1	ROLL PIN 1/8" X 1" LG.
7	311038-11	1	RETENTION RAMP HOOK
8	903420-01	1	RETAINING RING, 1/2"
9	903413-02	1	NYLON WASHER, 1/2"
10	903421-02	1	NYLON WASHER, 1/4"
11	283951-01	1	CLEVIS PIN, 1/4" X 1-5/8" LG.
12	905007-03	1	ROLL PIN 3/16" X 5/8" LG.
13	267326-01	1	SPRING HOOK
14	904005-1	1	BLIND DOME RIVET, 3/16" X 7/16" LG.
15	905318-05	1	BUMPER, 37-3/8" LG.
15	905318-06	1	BUMPER, 26-3/8" LG.
15	905318-07	1	BUMPER, 20-3/8" LG.
16	287473-01	1	STOP LATCH
17	900711-04	1	FLUSH SOCKET HEAD SCREW, 1/4"-20 X 7/8" LG.
18	267041-07	1	FLIPOVER RAMP, 40-5/8" LG. LH

SPARE PARTS LIST**RA-35/45**

Flipover Assembly with Dual Retention Ramps

Pos	CPN	Qty	Description
18	267041-09	1	FLIPOVER RAMP, 29-5/8" LG. LH
18	267041-11	1	FLIPOVER RAMP, 23-5/8" LG. LH
19	267041-08	1	FLIPOVER RAMP, 40-5/8" LG. RH
19	267041-10	1	FLIPOVER RAMP, 29-5/8" LG. RH
19	267041-12	1	FLIPOVER RAMP, 23-5/8" LG. RH

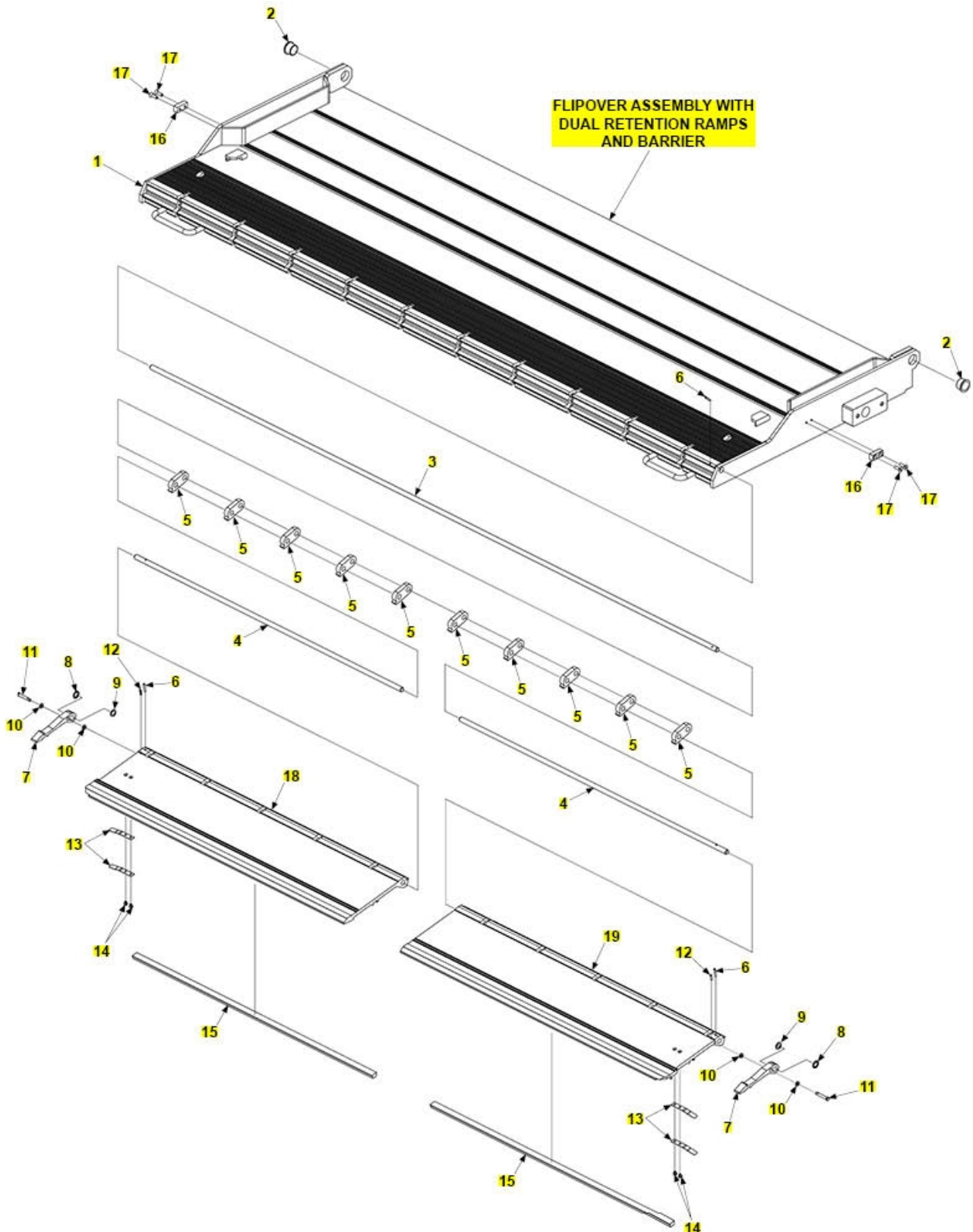
SPARE PARTS LIST

RA-35/45

Flipover Assembly with Dual Retention Ramps and Barrier

FLIPOVER ASSEMBLY WITH DUAL RETENTION RAMPS AND BARRIER

**LAST UPDATED
SEPT 2015 to present**



SPARE PARTS LIST
RA-35/45

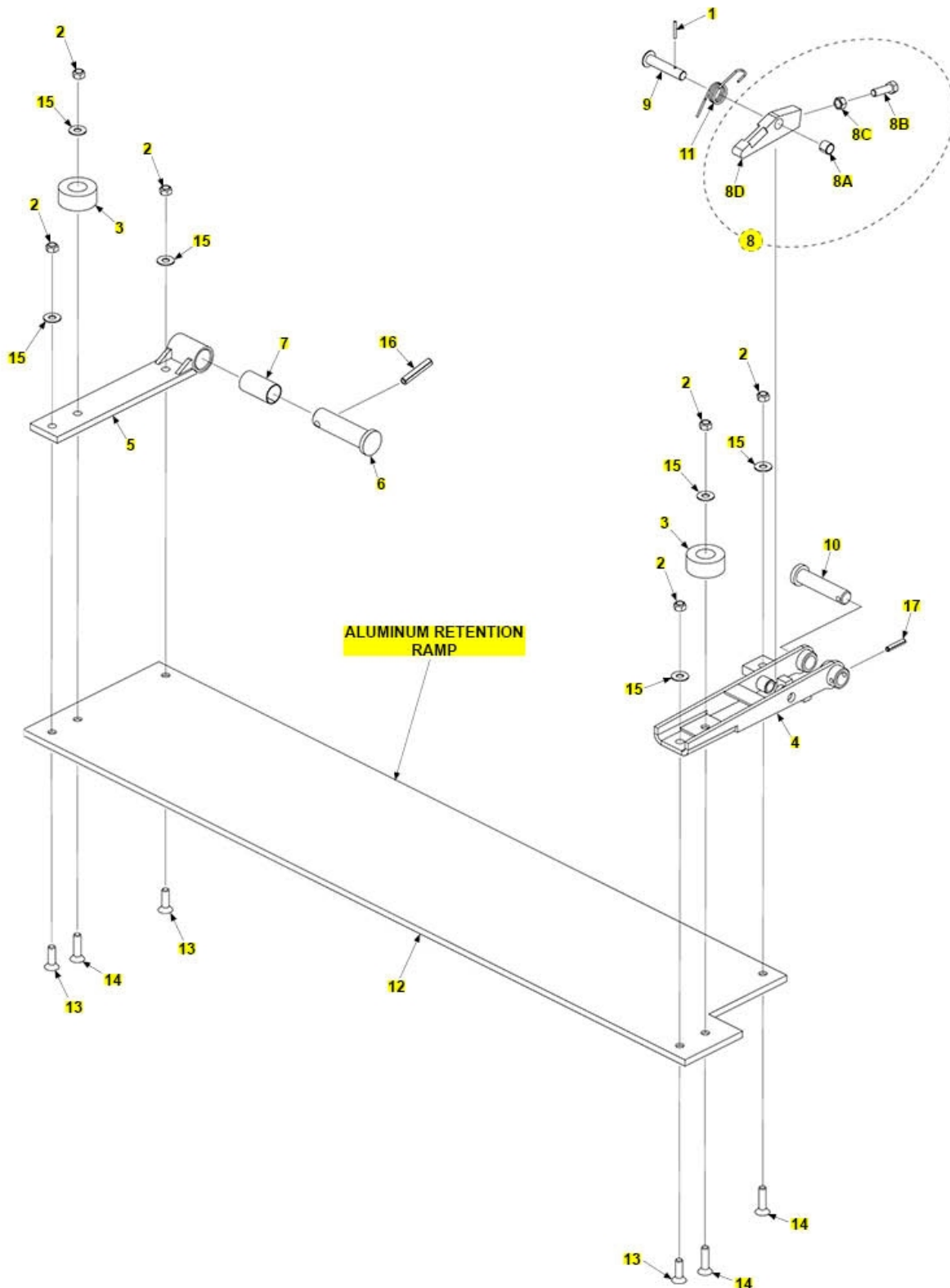
Flipover Assembly with Dual Retention Ramps and Barrier

Pos	CPN	Qty	Description
REF	285950-10	1	ALUM F/O ASSY, 28" X 82.5"
1	285951-10	1	ALUMINUM FLIPOVER, 28" X 82-1/2"
2	261837-02	1	FLANGED BUSHING, 1" X 3/4" LG.
3	267045-10	1	ROD HINGE, 1/2" X 82-1/4" LG.
4	267045-28	1	ROD HINGE, 1/2" X 38-3/4" LG.
5	311022-10	1	FLIPOVER HINGE, 1/2" LG.
6	905007-07	1	ROLL PIN 1/8" X 1" LG.
7	311038-11	1	RETENTION RAMP HOOK
8	903420-01	1	RETAINING RING, 1/2"
9	903413-02	1	NYLON WASHER, 1/2"
10	903421-02	1	NYLON WASHER, 1/4"
11	283951-01	1	CLEVIS PIN, 1/4" X 1-5/8" LG.
12	905007-03	1	ROLL PIN 3/16" X 5/8" LG.
13	267326-01	1	SPRING HOOK
14	904005-1	1	BLIND DOME RIVET, 3/16" X 7/16" LG.
15	905318-23	1	BUMPER, 34-13/16" LG.
16	287473-01	1	STOP LATCH
17	900711-04	1	FLUSH SOCKET HEAD SCREW, 1/4"-20 X 7/8" LG.
18	267041-31	1	FLIPOVER RAMP, 38-1/16" LG. LH
19	267041-32	1	FLIPOVER RAMP, 38-1/16" LG. RH

SPARE PARTS LIST
RA-35/45
Aluminum Retention Ramp

ALUMINUM RETENTION RAMP

LAST UPDATED
SEPT 2015 to present



SPARE PARTS LIST
RA-35/45
 Aluminum Retention Ramp

Pos	CPN	Qty	Description
REF	285526-13	1	ARR, 10", 48" ST P/F
REF	285526-14	1	ARR, 10", 60" ST P/F
REF	285526-15	1	ARR, 10", 82" ST P/F
1	030406	1	ROLL PIN, 1/8" X 1" LG.
2	030955	1	LOCK NUT, 3/8"-16
3	905363-01	1	RUBBER BUMPER, 2" X 7/8" LG.
4	280526-02	1	HINGE, RH
5	280522-01	1	HINGE, LH
6	253528	1	PIN
7	253541	1	BEARING, SELF LUBE, 1" X 2" LG.
8	269553-01	1	LOCKING ARM ASSEMBLY
8A	253542	1	BEARING, SELF LUBE, 1/2" X 1/2" LG.
8B	900033-2	1	CAP SCREW, 1/2"-20 X 1.25" LG.
8C	901011-10	1	HEX NUT, 1/2"-20
8D	269684-01	1	LOCKING ARM
9	264577	1	PIN, 1/2" DIA.
10	264586	1	PIN, 3/4" DIA.
11	264638	1	TORSION SPRING
12	264697-16	1	ALUMINUM RAMP, 3/8" X 10" X 48-3/4" LG.
12	264697-17	1	ALUMINUM RAMP, 3/8" X 10" X 60-3/4" LG.
12	264697-18	1	ALUMINUM RAMP, 3/8" X 10" X 82-3/4" LG.
13	900040-5	1	FLUSH SOCKET HEAD SCREW, 3/8"-16 X 1-1/4" LG.
14	900040-6	1	FLUSH SOCKET HEAD SCREW, 3/8"-16 X 1-1/2" LG.
15	902001-2	1	FLAT WASHER, 3/8"
16	904717-06	1	ROLL PIN, 3/8" X 2" LG.
17	905033-2	1	ROLL PIN, 1/4" X 1-1/4" LG.

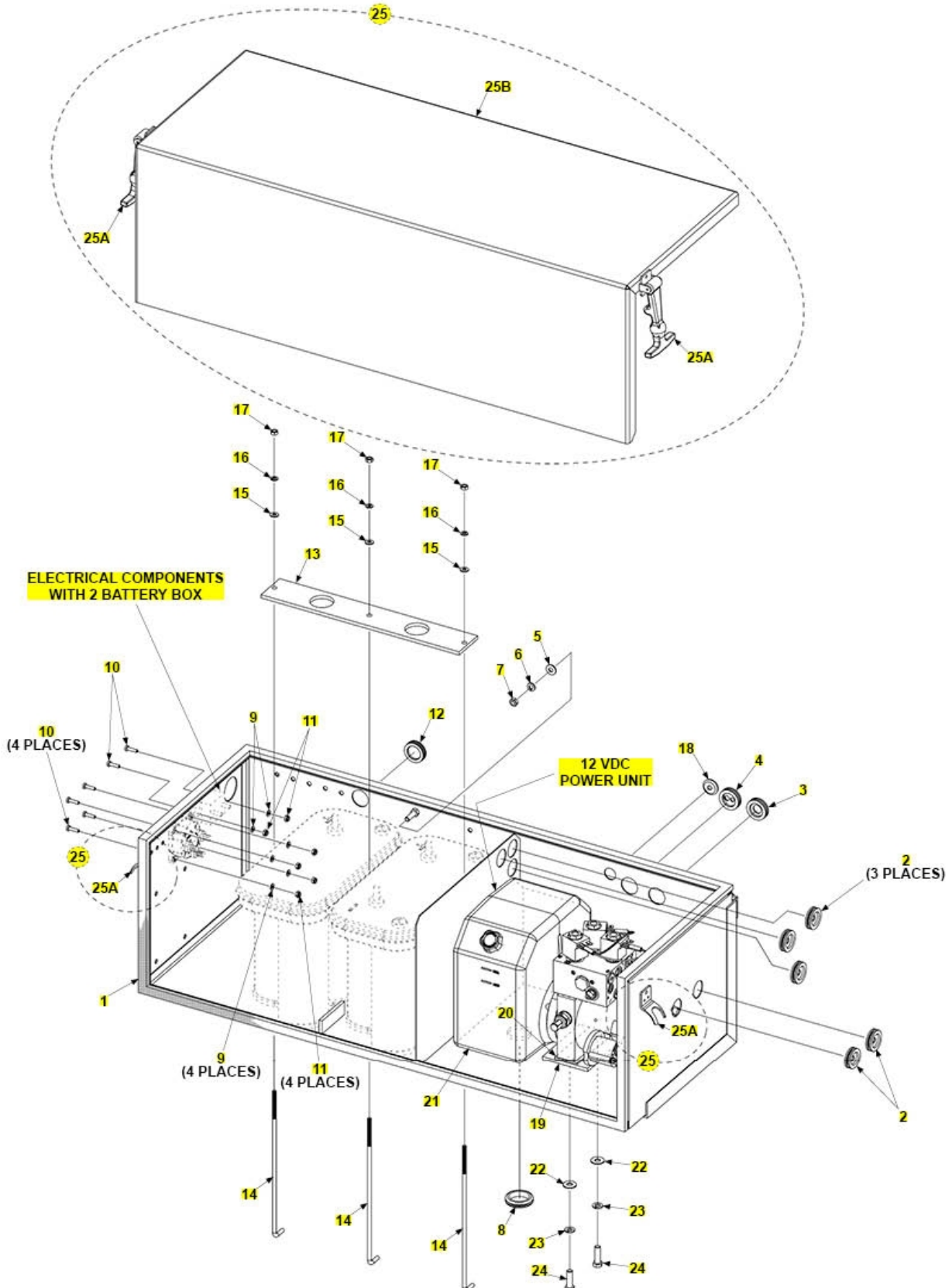
SPARE PARTS LIST

RA-35/45

Battery and Pump Box Assembly for 48" and 60" Mainframes

BATTERY AND PUMP BOX ASSEMBLY FOR 48" AND 60" MAINFRAMES

LAST UPDATED
SEPT 2015 to present



SPARE PARTS LIST
RA-35/45

Battery and Pump Box Assembly for 48" and 60" Mainframes

Pos	CPN	Qty	Description
2	266428-04	1	GROMMET, 1" DIA. X 3/8" DIA. HOLE
3	266428-07	1	GROMMET, 1" DIA. X 5/8" DIA. HOLE
4	266428-12	1	GROMMET, 1" DIA. X 5/8" DIA. AND 5/16" DIA. HOLES
5	902002-1	1	FLAT WASHER, 5/16"
6	902011-3	1	LOCK WASHER, 5/16"
7	030347	1	NUT, 5/16"-18
8	269354	1	GROMMET, 1-3/8" I.D.
9	903444-01	1	FLAT WASHER, #10
10	900753-07	1	PAN HEAD SCREW, 10-24 X 3/4" LG.
11	901003	1	LOCK NUT, 10-24
12	263814	1	GROMMET, 1" I.D.
13	250479	1	BRACKET BATTERY, 15-3/8" LG.
14	227722	1	L-SHAPE ROD, 1/4" X 11-1/2" LG.
15	903412-01	1	FLAT WASHER, 1/4"
16	902011-2	1	LOCK WASHER, 1/4"
17	903107-03	1	NUT, 1/4"-20
18	288228-01	1	GROMMET, 9/32" X 7/8"
19	269355-01	1	PUMP SUPPORT PLATE
20	269358-01	1	RUBBER PLATE
21	269321-01	1	PUMP ASSY, 12V
22	902001-2	1	FLAT WASHER, 3/8"
23	902011-4	1	LOCK WASHER, 3/8"
24	900014-5	1	CAP SCREW, 3/8"-16 X 1-1/4" LG.
25	284343-01	1	PUMP COVER ASSYEMBLY
25A	215139	1	CATCH AND FASTENER, 5-1/8" LG.
25B	284344-01	1	PUMP COVER

SPARE PARTS LIST

RA-35/45

Battery and Pump Box Assembly for 82" Mainframe with 2 Battery Box

Pos	CPN	Qty	Description
2	266428-04	1	GROMMET, 1" DIA. X 3/8" DIA. HOLE
3	266428-07	1	GROMMET, 1" DIA. X 5/8" DIA. HOLE
4	266428-12	1	GROMMET, 1" DIA. X 5/8" DIA. AND 5/16" DIA. HOLES
5	902002-1	1	FLAT WASHER, 5/16"
6	902011-3	1	LOCK WASHER, 5/16"
7	030347	1	NUT, 5/16"-18
8	269354	1	GROMMET, 1-3/8" I.D.
9	903444-01	1	FLAT WASHER, #10
10	900753-07	1	PAN HEAD SCREW, 10-24 X 3/4" LG.
11	901003	1	LOCK NUT, 10-24
12	263814	1	GROMMET, 1" I.D.
12	266428-09	1	GROMMET, 1" I.D. WITH (2) 5/16" HOLES (USED ON 82" SLIDERFRAME WITH BRACKET)
13	250479-01	1	BRACKET BATTERY, 30-1/8"
14	227722	1	L-SHAPE ROD, 1/4" X 11-1/2" LG.
15	903412-01	1	FLAT WASHER, 1/4"
16	902011-2	1	LOCK WASHER, 1/4"
17	903107-03	1	NUT, 1/4"-20
18	288228-01	1	GROMMET, 9/32" X 7/8"
19	269355-01	1	PUMP SUPPORT PLATE
20	269358-01	1	RUBBER PLATE
21	269321-01	1	PUMP ASSY, 12V
22	902001-2	1	FLAT WASHER, 3/8"
23	902011-4	1	LOCK WASHER, 3/8"
24	900014-5	1	CAP SCREW, 3/8"-16 X 1-1/4" LG.
25	284343-02	1	PUMP COVER ASSYEMBLY
25A	215139	1	CATCH AND FASTENER, 5-1/8" LG.
25B	284344-02	1	PUMP COVER
26	284343-03	1	PUMP COVER ASSYEMBLY

SPARE PARTS LIST**RA-35/45**

Battery and Pump Box Assembly for 82" Mainframe with 2 Battery Box

Pos	CPN	Qty	Description
26A	215139	1	CATCH AND FASTENER, 5-1/8" LG.
26B	284344-03	1	4 BATTERY COVER

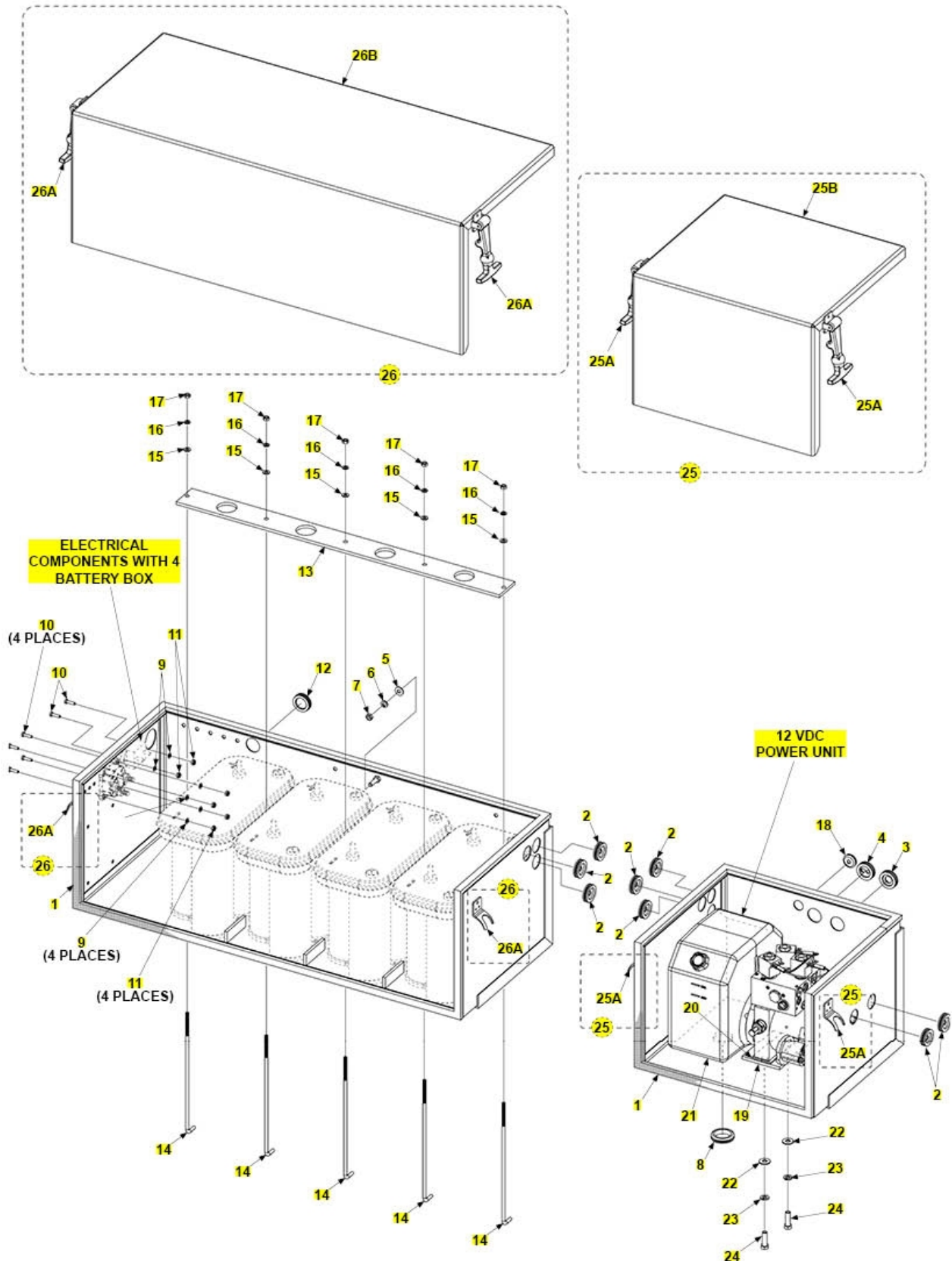
SPARE PARTS LIST

RA-35/45

Battery and Pump Box Assembly for 82" Mainframe with 4 Battery Box

BATTERY AND PUMP BOX ASSEMBLY FOR 82" MAINFRAME WITH 4 BATTERY BOX

LAST UPDATED
SEPT 2015 to present



SPARE PARTS LIST**RA-35/45**

Battery and Pump Box Assembly for 82" Mainframe with 4 Battery Box

Pos	CPN	Qty	Description
2	266428-04	1	GROMMET, 1" DIA. X 3/8" DIA. HOLE
3	266428-07	1	GROMMET, 1" DIA. X 5/8" DIA. HOLE
4	266428-12	1	GROMMET, 1" DIA. X 5/8" DIA. AND 5/16" DIA. HOLES
5	902002-1	1	FLAT WASHER, 5/16"
6	902011-3	1	LOCK WASHER, 5/16"
7	030347	1	NUT, 5/16"-18
8	269354	1	GROMMET, 1-3/8" I.D.
9	903444-01	1	FLAT WASHER, #10
10	900753-07	1	PAN HEAD SCREW, 10-24 X 3/4" LG.
11	901003	1	LOCK NUT, 10-24
12	263814	1	GROMMET, 1" I.D.
12	266428-09	1	GROMMET, 1" I.D. WITH (2) 5/16" HOLES (USED ON 82" SLIDERFRAME WITH BRACKET)
13	250479-01	1	BRACKET BATTERY, 30-1/8"
14	227722	1	L-SHAPE ROD, 1/4" X 11-1/2" LG.
15	903412-01	1	FLAT WASHER, 1/4"
16	902011-2	1	LOCK WASHER, 1/4"
17	903107-03	1	NUT, 1/4"-20
18	288228-01	1	GROMMET, 9/32" X 7/8"
19	269355-01	1	PUMP SUPPORT PLATE
20	269358-01	1	RUBBER PLATE
21	269321-01	1	PUMP ASSY, 12V
22	902001-2	1	FLAT WASHER, 3/8"
23	902011-4	1	LOCK WASHER, 3/8"
24	900014-5	1	CAP SCREW, 3/8"-16 X 1-1/4" LG.
25	284343-02	1	PUMP COVER ASSYEMBLY
25A	215139	1	CATCH AND FASTENER, 5-1/8" LG.
25B	284344-02	1	PUMP COVER
26	284343-03	1	PUMP COVER ASSYEMBLY

SPARE PARTS LIST**RA-35/45**

Battery and Pump Box Assembly for 82" Mainframe with 4 Battery Box

Pos	CPN	Qty	Description
26A	215139	1	CATCH AND FASTENER, 5-1/8" LG.
26B	284344-03	1	4 BATTERY COVER

SPARE PARTS LIST

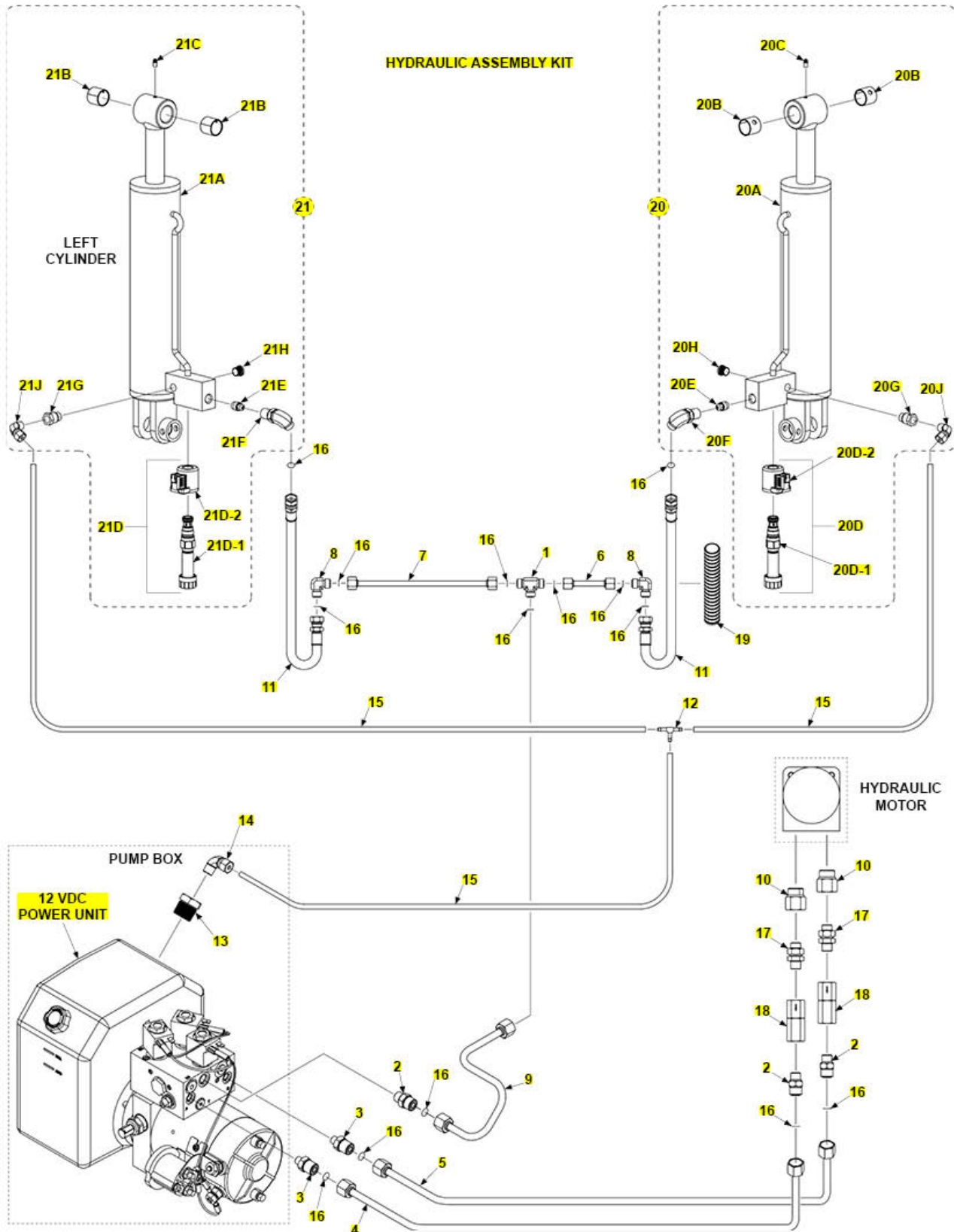
RA-35/45

Hydraulic Components

HYDRAULIC COMPONENTS

LAST UPDATED
SEPT 2015 to present

HYDRAULIC ASSEMBLY KIT



SPARE PARTS LIST

RA-35/45

Hydraulic Components

Pos	CPN	Qty	Description
REF	284409-01	1	HYDRAULIC ASSEMBLY KIT, 48" RA
REF	284409-02	1	HYDRAULIC ASSEMBLY KIT, 60" RA
REF	284409-03	1	HYDRAULIC ASSEMBLY KIT, 82" RA
1	905150	1	UNION TEE, FACE SEAL, 3/8" M, 6-JLO
2	905173	1	CONNECTOR, FACE SEAL #6 & O-RING #6, M-M
3	906759-01	1	CONNECTOR, FACE SEAL #6, O-RING #4, M-M
4	284412-01	1	N/OUT TUBE ASSEMBLY, 16-1/8" LG.
4	284412-02	1	IN/OUT TUBE ASSEMBLY, 22-1/8" LG.
4	284412-03	1	IN/OUT TUBE ASSEMBLY, 21-3/4" LG.
5	284392-01	1	IN/OUT TUBE ASSEMBLY, 16-1/8" LG.
5	284392-02	1	IN/OUT TUBE ASSEMBLY, 22-1/8" LG.
5	284392-03	1	IN/OUT TUBE ASSEMBLY, 21-3/4" LG.
6	284417-01	1	TUBE ASSEMBLY, 48", LH
6	284417-02	1	TUBE ASSEMBLY, 60", LH
6	284417-03	1	TUBE ASSEMBLY, 82", LH
7	284417-04	1	TUBE ASSEMBLY, 48", RH
7	284417-05	1	TUBE ASSEMBLY, 60", RH
7	284417-06	1	TUBE ASSEMBLY, 82", RH
8	906829-01	1	UNION, ELBOW, FACE SEAL, #6M-#6M, 90°
9	284414-01	1	HYDRAULIC LINE TEE ASSEMBLY
10	906812-01	1	REDUCER STRAIGHT THREAD
11	297617-02	1	HOSE ASSY, .38, SAE#6, 22"LG
12	906749-01	1	UNION TEE, 1/4"
13	906900-01	1	ADAPTER, 3/4"-14M X 1/4"F
14	202406	1	ELBOW, 1/4" X 1/4", BRASS
16	906712-02	1	O-RING, #6 (3/8" FACE SEAL TUBE-END)
17	906786-01	1	UNION, STRAIGHT, O-RING #6, M-M
18	906709-02	1	VALVE, FLOW REGULATOR, #6, 2 GAL/MIN
19	207642	1	SPLIT LOOM, 1" DIA. BLACK, 6" LG.

SPARE PARTS LIST
RA-35/45

Hydraulic Components

Pos	CPN	Qty	Description
20	296616-01	1	HYD CYL DOUBLE ACT ASSY, 3.5" RH
20A	284196-02	1	CYLINDER, 3.5" DIA.
20B	908178-02	1	BEARING, PRELUBE, 1" X 1" LG.
20C	224342	1	GREASE FITTING, 1/4"
20D	906831-01	1	VALVE ASSEMBLY
20D-1	906856-01	1	VALVE CARTRIDGE
20D-2	906855-01	1	VALVE COIL
20E	906717-02	1	FLOW CONTROL VALVE
20F	906707-01	1	ELBOW #6M-M, 3/8" O-RING FACE SEAL
20G	228012	1	ADAPTER, 9/16"-18M-1/4"F
20H	284859-01	1	CYLINDER PLUG
20J	202406	1	ELBOW BRASS, 1/4" X 1/4"
21	296616-02	1	HYD CYL DOUBLE ACT ASSY, 3.5" LH
21A	284196-02	1	CYLINDER, 3.5" DIA.
21B	908178-02	1	BEARING, PRELUBE, 1" X 1" LG.
21C	224342	1	GREASE FITTING, 1/4"
21D	906831-01	1	VALVE ASSEMBLY
21D-1	906856-01	1	VALVE CARTRIDGE
21D-2	906855-01	1	VALVE COIL
21E	906717-02	1	FLOW CONTROL VALVE
21F	906707-01	1	ELBOW #6M-M, 3/8" O-RING FACE SEAL
21G	228012	1	ADAPTER, 9/16"-18M-1/4"F
21H	284859-01	1	CYLINDER PLUG
21J	202406	1	ELBOW BRASS, 1/4" X 1/4"

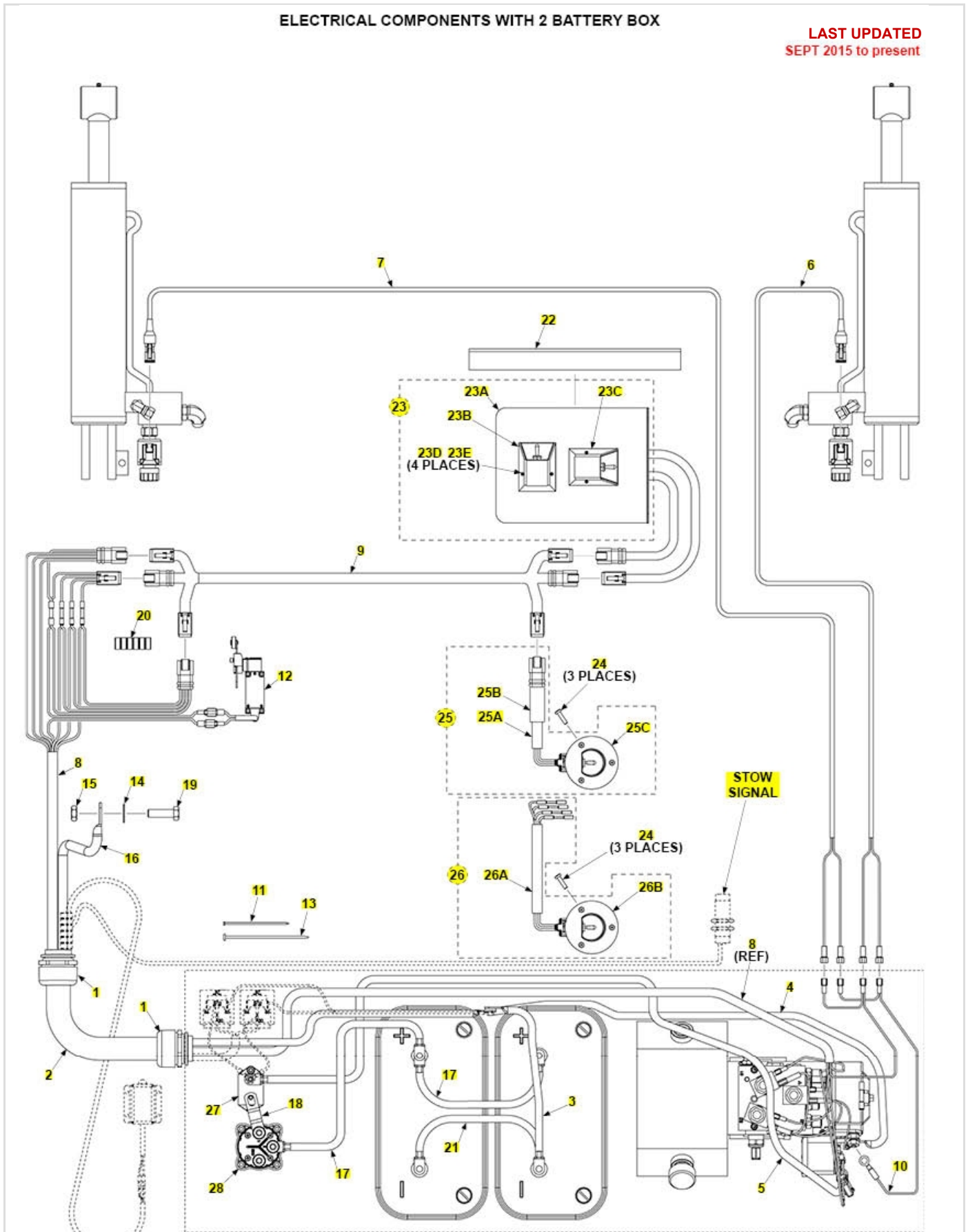
SPARE PARTS LIST

RA-35/45

Electrical Components with 2 Battery Box

ELECTRICAL COMPONENTS WITH 2 BATTERY BOX

LAST UPDATED
SEPT 2015 to present



SPARE PARTS LIST
RA-35/45

Electrical Components with 2 Battery Box

Pos	CPN	Qty	Description
1	906559-01	1	FITTING, STRAIGHT CONNECTOR
2	907297-01	1	SPIRAL BUNDLING WRAP, 76" LG.
3	268226-07	1	CABLE ASSEMBLY, 2 GA, 5/16"-3/8" RING, 18" LG.
4	268226-10	1	CABLE ASSEMBLY, 2 GA, 5/16"-3/8" RING, 37-3/4" LG.
5	285506-09	1	CABLE ASSEMBLY, 2 GA, 5/16"-3/8" RING, 52" LG.
6	268274-03	1	CABLE, RIGHT SIDE, 18GA, 72" LG.
7	268274-04	1	CABLE, LEFT SIDE, 18GA, 96" LG.
8	289396-01	1	CABLE, EXT CNTRL ASSY
9	289397-01	1	CABLE, EXT CNTRL ASSY, 48"
9	289397-02	1	CABLE, EXT CNTRL ASSY, 60"
10	287472-01	1	JUMPER CABLE
11	205780	1	PLASTIC TIE, 7" LG.
12	286133-01	1	LIMIT SWITCH ASSEMBLY
13	EH13176	1	CABLE TIE MOUNTING BASE
14	903409-03	1	FENDER WASHER, 7/8"
15	903107-02	1	HEX NUT, 3/8"-16
16	288210-02	1	CABLE ASSEMBLY, 2 GA, 3/8"-3/8" RING, 96" LG.
17	288211-01	1	CABLE ASSY, 2 GA, 3/8"-3/8" RING, 10-1/2" LG.
18	282895-01	1	JUMPER, GROUND
19	900764-07	1	CAP SCREW, 3/8"-16 X 1-1/4" LG.
20	207642	1	BLACK SPLIT LOOM, 1" X 7-15/16" LG.
21	288210-01	1	CABLE ASSEMBLY, 2 GA, 3/8"-3/8" RING, 10-1/2" LG.
22	285510-01	1	BRACKET SUPPORT
23	285511-01	1	BRACKET SWITCH ASSEMBLY
23A	285507-01	1	BRACKET
23B	285512-02	1	IN-OUT SWITCH

SPARE PARTS LIST**RA-35/45**

Electrical Components with 2 Battery Box

Pos	CPN	Qty	Description
23C	285512-01	1	UP-DOWN SWITCH
23D	900007-6	1	PAN HEAD SCREW, #10-24 X 3/4" LG.
23E	901003	1	LOCK NUT, #10-24
24	900767-01	1	SCREW, #8-18, SELF DRILL
25	285508-01	1	WALL SWITCH CABLE ASSEMBLY (LOWER)
25A	093250	1	STOW CABLE, #16-4, 120" LG.
25B	905189-03	1	HEAT SHRINK TUBING, 1" X 12" LG.
25C	285509-01	1	UP-DOWN SWITCH
26	285508-02	1	WALL SWITCH ASSEMBLY CABLE (UPPER)
26A	093250	1	STOW CABLE, #16-4, 53" LG.
26B	285509-01	1	UP-DOWN SWITCH
27	221736	1	150A CIRCUIT BREAKER
28	228754	1	MASTER DISCONNECT SWITCH

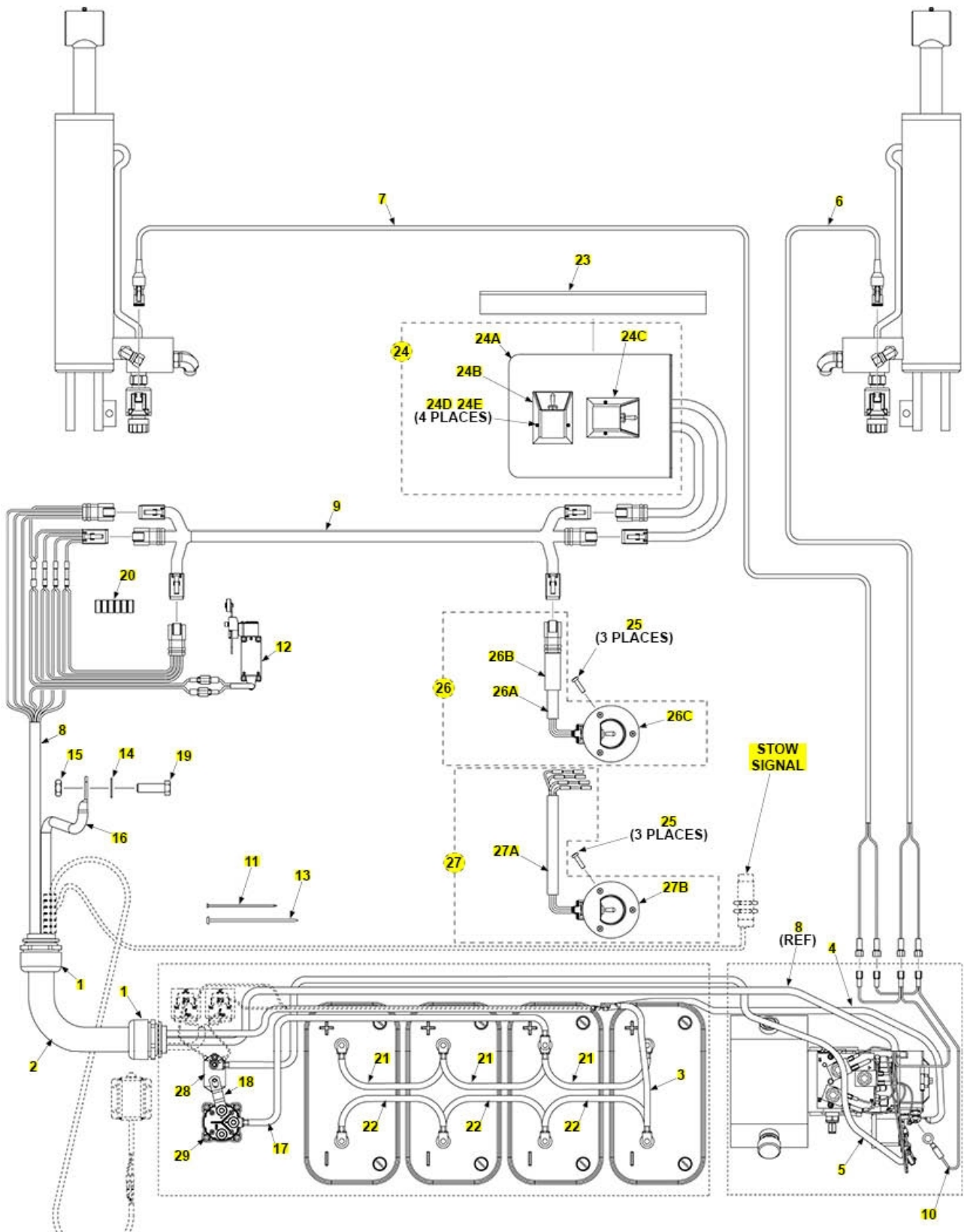
SPARE PARTS LIST

RA-35/45

Electrical Components with 4 Battery Box

ELECTRICAL COMPONENTS WITH 4 BATTERY BOX

LAST UPDATED
SEPT 2015 to present



SPARE PARTS LIST
RA-35/45

Electrical Components with 4 Battery Box

Pos	CPN	Qty	Description
1	906559-01	1	FITTING, STRAIGHT CONNECTOR
2	907297-01	1	SPIRAL BUNDLING WRAP, 76" LG.
3	268226-07	1	CABLE ASSEMBLY, 2 GA, 5/16"-3/8" RING, 18" LG.
4	268226-11	1	CABLE ASSEMBLY, 2 GA, 5/16"-3/8" RING, 49-3/4" LG.
5	285506-08	1	CABLE ASSEMBLY, 2 GA, 5/16"-3/8" RING, 66" LG.
6	268274-05	1	CABLE, RIGHT SIDE, 16GA, 73" LG.
7	268274-06	1	CABLE, LEFT SIDE, 16GA, 120" LG.
8	289396-02	1	CABLE, EXT CNTRL ASSY
9	289397-03	1	CABLE, EXT CNTRL ASSY, 82"
10	287472-01	1	JUMPER CABLE
11	205780	1	PLASTIC TIE, 7" LG.
12	286133-01	1	LIMIT SWITCH ASSEMBLY
13	EH13176	1	CABLE TIE MOUNTING BASE
14	903409-03	1	FENDER WASHER, 7/8"
15	903107-02	1	HEX NUT, 3/8"-16
16	288210-03	1	CABLE ASSEMBLY, 2 GA, 3/8"-3/8" RING, 107" LG.
17	288211-02	1	CABLE ASSY, 2 GA, 3/8"-3/8" RING, 37" LG.
18	282895-01	1	JUMPER, GROUND
19	900764-07	1	CAP SCREW, 3/8"-16 X 1-1/4" LG.
20	207642	1	BLACK SPLIT LOOM, 1" X 7-15/16" LG.
21	288211-01	1	CABLE ASSEMBLY, RED, 2 GA, 3/8"-3/8" RING, 10-1/2" LG.
22	288210-01	1	CABLE ASSEMBLY, 2 GA, 3/8"-3/8" RING, 10-1/2" LG.
23	285510-01	1	BRACKET SUPPORT
24	285511-01	1	BRACKET SWITCH ASSEMBLY
24A	285507-01	1	BRACKET
24B	285512-02	1	IN-OUT SWITCH

SPARE PARTS LIST**RA-35/45**

Electrical Components with 4 Battery Box

Pos	CPN	Qty	Description
24C	285512-01	1	UP-DOWN SWITCH
24D	900007-6	1	PAN HEAD SCREW, #10-24 X 3/4" LG.
24E	901003	1	LOCK NUT, #10-24
25	900767-01	1	SCREW, #8-18, SELF DRILL
26	285508-01	1	WALL SWITCH CABLE ASSEMBLY (LOWER)
26A	093250	1	STOW CABLE, #16-4, 120" LG.
26B	905189-03	1	HEAT SHRINK TUBING, 1" X 12" LG.
26C	285509-01	1	UP-DOWN SWITCH
27	285508-02	1	WALL SWITCH ASSEMBLY CABLE (UPPER)
27A	093250	1	STOW CABLE, #16-4, 53" LG.
27B	285509-01	1	UP-DOWN SWITCH
28	221736	1	150A CIRCUIT BREAKER
29	228754	1	MASTER DISCONNECT SWITCH

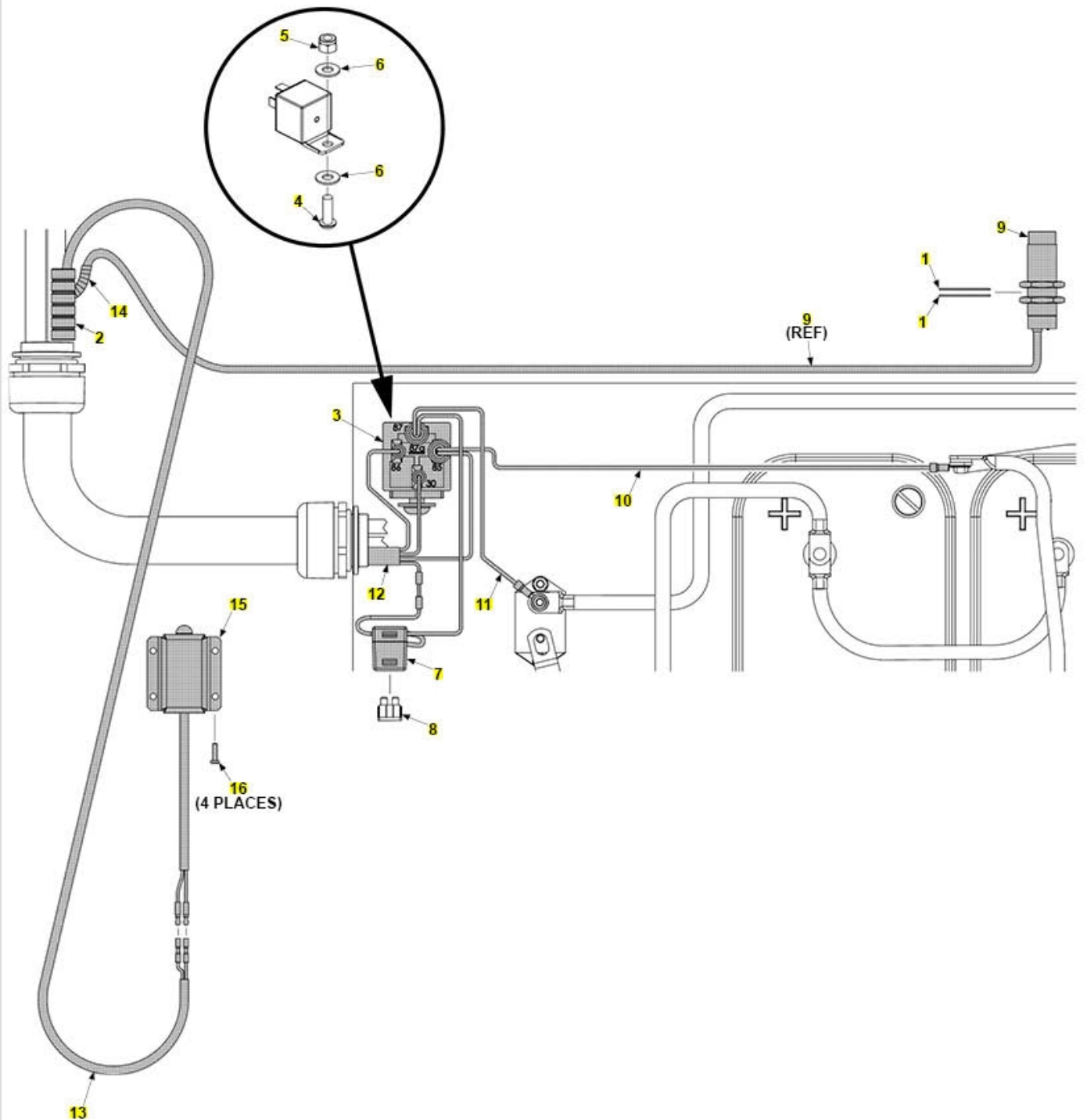
SPARE PARTS LIST

RA-35/45

Electrical Components - Stow Signal

ELECTRICAL COMPONENTS - STOW SIGNAL

LAST UPDATED
SEPT 2015 to present



SPARE PARTS LIST**RA-35/45**

Electrical Components - Stow Signal

Pos	CPN	Qty	Description
1	903439-01	1	LOCK WASHER, 3/4"
2	040103	1	BLACK SPLIT LOOM, 1/2" X 12" LG.
3	906578-01	1	5 PIN RELAY,12V DC
4	900719-05	1	BUTTON SCREW, 1/4"-20 X 3/4" LG.
5	903137-01	1	LOCK NUT, 1/4"-20
6	903409-01	1	FENDER WASHER, 5/8"
7	906564-01	1	FUSE HOLDER
8	907211-01	1	FUSE, 20 AMP
9	907235-01	1	PROXIMITY SENSOR
10	251403	1	BLACK WIRE, 16 GA, 30" LG.
11	251404	1	RED WIRE, 16 GA, 9-3/4" LG.
12	050293	1	CABLE, 16-4, 145-15/16" LG.
13	051075	1	CABLE, 16-2, 872" LG.
14	907011	1	SPLIT LOOM, 1/4" X 120" LG.
15	287862-01	1	STOW SIGNAL CABLE ASSEMBLY
16	900767-01	1	SCREW, #8-18, SELF DRILL

SPARE PARTS LIST

RA-35/45

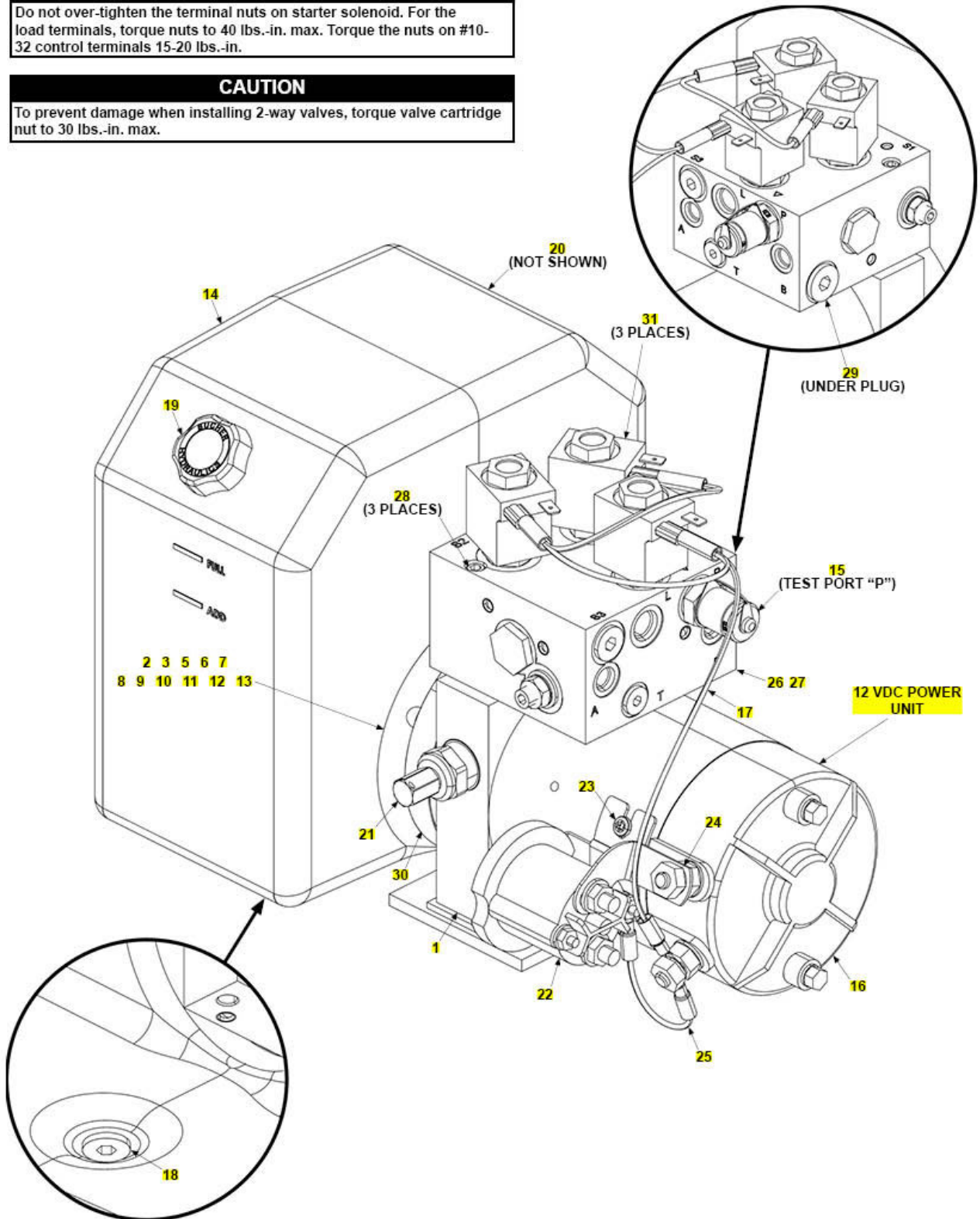
12 VDC Power Unit

12 VDC POWER UNIT

LAST UPDATED
SEPT 2015 to present

CAUTION
Do not over-tighten the terminal nuts on starter solenoid. For the load terminals, torque nuts to 40 lbs.-in. max. Torque the nuts on #10-32 control terminals 15-20 lbs.-in.

CAUTION
To prevent damage when installing 2-way valves, torque valve cartridge nut to 30 lbs.-in. max.



SPARE PARTS LIST**RA-35/45**

12 VDC Power Unit

Pos	CPN	Qty	Description
REF	269321-01	1	PUMP ASSEMBLY, 12V
1	269323	1	BASE ASSEMBLY
2	269324	1	O-RING
3	290197	1	PUMP,AP100/3.5,EXT TANG,NOCVRS
5	269326	1	REAR COVER O-RING
6	269327	1	DOWEL PIN, 5 MM X 7 MM
7	269328	1	REAR COVER
8	269329	1	SOCKET CAP SCREW, M8 X 80MM
9	210049	1	TUBE,SUCTION,90 DGR,3/8NPT
10	269331	1	SCREEN FILTER
11	269348	1	NIPPLE, 3/8" X 3-1/2" LG.
12	269349	1	90 DEG. ELBOW, 3/8" X 3/8"
13	269350	1	SUCTION TUBE, 3/8", NYLON
14	288205	1	RESERVOIR, PLASTIC, 9-3/8" X 9-5/8 X 7-1/8"
15	288207	1	TEST PORT FITTING, 7/16"-20
16	269334	1	DC MOTOR (12V)
17	269548	1	STARTER SWITCH WIRE ASSEMBLY
18	288206	1	DRAIN PLUG, 3/4"-16
19	210050	1	PLUG,RESEV,BREATH-ER-FILLER
20	269337	1	PLUG, 3/4"-14
21	269338	1	RELIEF VALVE, GREEN SPRING
22	269339	1	STARTER SWITCH, 12 VOLT
23	269340	1	PAN HEAD SCREW, #10-32 X 5/16" LG.
24	269341	1	MOTOR-SOLENOID CONNECTING STRAP
25	269342	1	VALVE WIRE ASSEMBLY
26	269343	1	O-RING, 1/16" X 3/4" X 1/16-016
27	269344	1	VALVE ASSEMBLY, 12 VOLT
28	269345	1	SOCKET CAP SCREW, 1/4"-20 X 2-3/4" LG
29	269346	1	POPPET ASSEMBLY
30	288208	1	HOSE CLAMP, WORM GEAR

SPARE PARTS LIST**RA-35/45**

12 VDC Power Unit

Pos	CPN	Qty	Description
31	290126	3	CARTRIDGE ONLY, 3W/2P, GPS-LR

SPARE PARTS LIST**RA-35/45**

Decals

Pos	CPN	Qty	Description
1	282664-01	1	DECAL, OPERATION, RA
2	282682-02	1	DECAL, CAUTION, SLIDER
3	282683-02	1	DECAL, CAUTION, CLEARANCE
4	282522-01	1	DECAL SHEET
4A	282522-01	1	DECAL, SAFETY INSTRUCTIONS, #A
4B	282522-01	1	DECAL, WARNING, #B
4C	282522-01	1	DECAL, WARNING, #C
4F	282522-01	1	DECAL, CAUTION, #F
5	220388-04	1	CAPACITY DECAL, RA-35
5	220388-05	1	CAPACITY DECAL, RA-45
6	283445-01	1	DECAL, FAMILY OWNED
7	282713-01	1	DECAL, UP/DOWN
8	264507	1	DECAL, UP/DOWN
9	282721-01	1	DECAL, IN/OUT
10	282724-01	1	DECAL SHEET
10F	282724-01	1	DECAL, WARNING, #F
10I	282724-01	1	DECAL, MANUAL OPERATION, #I
10J	282724-01	1	DECAL, WARNING, #J
10K	282724-01	1	DECAL, WARNING, #K
10L	282724-01	1	DECAL, WARNING, #L
10M	282724-01	1	DECAL, WARNING, #M
11	908150-01	1	MAXON CONSPICUITY TAPE, 3.6'