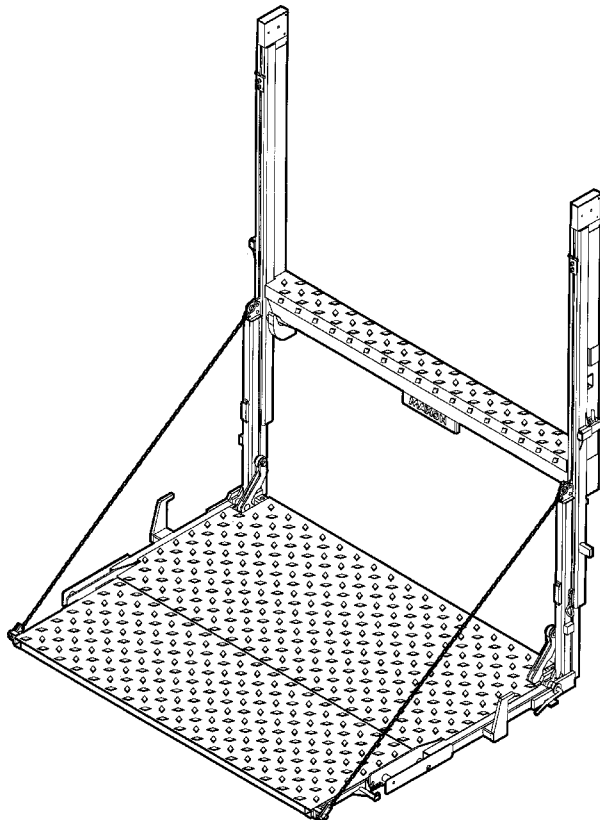


M-90-2
REV. C
JAN. 2000

MAXON®

OPERATION MANUAL

↑ RAILIFT® ↓ LIFTGATE SERIES



RC-2B

RC-3B

RC-4B

RC-5B

RC-6B

RC-6K

MAXON®

11921 Slauson Avenue.
Santa Fe Springs, CA. 90670
(800) 227-4116

MAXON[®]

LIFT CORP.

**11921 Slauson Ave.
Santa Fe Springs, CA. 90670**

CUSTOMER SERVICE:

TELEPHONE (562) 464-0099 TOLL FREE (800) 227-4116

FAX: (888) 771-7713

**NOTE: Check with Customer Service for updated versions
of Manuals on an annual basis.**

WARRANTY POLICY & PROCEDURE

NEW LIFTGATE WARRANTY

Term of Warranty: 2 Years from Date of In-Service

Type of Warranty: Full Parts and Labor

MAXON agrees to replace any components which are found to be defective during the first 2 years of service, and will reimburse for labor based on MAXON's Liftgate Warranty Flat Rate Labor Schedule. (Call MAXON Customer Service for a copy).

All claims for warranty must be received within 30 Days of the repair date, and include the following information:

1. Liftgate Model Number
2. Liftgate Serial Number
3. Detailed Description of Problem
4. Corrective Action Taken, and Date of Repair.
5. Parts used for Repair, Including MAXON Part Number(s).
6. MAXON R.M.A. # and/or Authorization # if applicable (see below).
7. Person contacted at MAXON if applicable.

All warranty repairs must be performed by an authorized MAXON warranty station. For major repairs, MAXON Customer Service must be notified and an "Authorization Number" obtained. Major repairs would generally be considered repairs made to the structural assembly of the liftgate and/or repairs not outlined in the MAXON Liftgate Warranty Flat Rate Schedule.

Major components (i.e. hydraulic pumps, cylinders, valves, or failed structural parts) must be returned, freight pre-paid, prior to the claim being processed. To ensure timely processing of these warranty claims, an R.M.A. (Returned Merchandise Authorization) number must be obtained from MAXON Customer Service prior to the return of any defective part. Defective Parts must be returned within 60 days of the claim date for consideration to:

**MAXON Lift Corp.
16205 Distribution Way, Cerritos, CA 90703
Attn: RMA#__**

MAXON's warranty policy does not include the reimbursement for travel time, towing, vehicle rental, service calls, oil, batteries, defects due to misuse or abuse, or loss of income due to downtime. Fabrication of parts, which are available from MAXON, are also not covered.

MAXON's Flat Rate Labor Schedule takes into consideration the time required for diagnosis of a problem.

PURCHASE PART WARRANTY

Term of Warranty: 1 Year from Date of Purchase

Type of Warranty: Part Replacement

MAXON will guarantee all returned genuine replacement parts upon receipt and inspection of parts and invoice.

Table of Contents

WARNING	PAGE 4
OPERATING PROCEDURE	PAGE 5
TOGGLE SWITCH & OPENING PROCEDURE	PAGE 6
CLOSING PLATFORM TO TAILGATE POSITION	PAGE 8
CLOSING MECHANICAL PLATFORM	PAGE 9
CLOSING HYDRAULIC PLATFORM	PAGE 9
MISC. INFORMATION	PAGE 10
PLATFORMS WITH ALUMINUM RETENTION RAMPS	PAGE 11
LOADING PLATFORM	PAGE 12
DOCK LOADING PROCEDURE	PAGE 13
ALTERNATE DOCK LOADING PROCEDURE	PAGE 13
RCT OPENING PROCEDURE	PAGE 15
FORKLIFT	PAGE 16

WARNING

1. Read the **Operator's Manual** and understand it thoroughly before operating this unit.
2. Read the urgent warning decal on the side of the vehicle close to the unit before operating.
3. If decals are dirty, clean them. If decals are defaced or missing, replace them. **Free replacements** are available from the manufacturer. See information at the end of the Warnings !
4. Be aware that the safety and location of other people or objects should be considered before operation of this unit. Stand to one side of platform while operating this unit. Do not stand in a position that would put you in the path of any moving vehicles around you.
5. Do not stand under, or have any foreign object under the Platform when lowering. **Be sure that the lowering of the Platform and/or Flipover will miss your feet!**
6. Keep fingers, hands, arms, legs, and feet clear of moving parts when operating this unit.
7. If Platform is used as a ramp between vehicle and dock, DO NOT ALLOW ANY TRANSFER OF LOADS TO EXCEED THE RATED CAPACITY OF THIS UNIT!
8. Do not allow children to ride, play with, or operate this unit.
9. In the event of an emergency while operating the unit, release the toggle switch and the unit will stop immediately.
10. A properly installed Lift should operate smoothly and the only noise during the operation of this unit should be from the Pump Unit during the raising of the Platform. Any scraping, grating or audible indications of rough operation will need investigating. The cause will need resolving before any further deterioration of performance occurs.

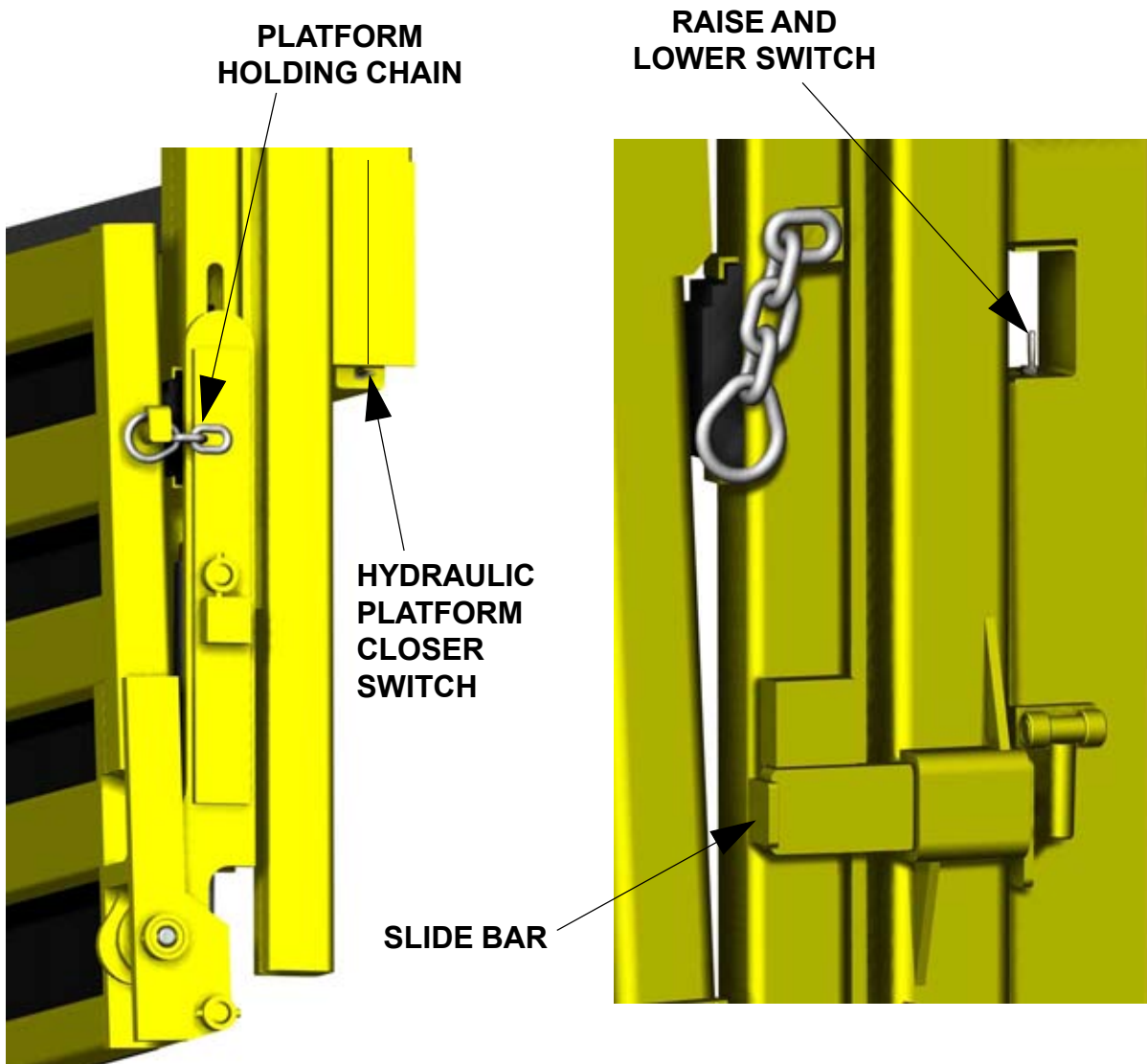
Use only **Maxon Authorized Parts** for replacement. Replacement parts should be ordered from:

MAXON LIFT CORP. Parts Department
11921 Slauson Ave., Santa Fe Springs, Ca. 90670
Phone: (800) 227-4116

OPERATING PROCEDURE

TOGGLE SWITCH & OPENING PROCEDURE

1. Using main toggle control switch located on curb side of lift column, raise unit till platform runners hit column stops. Remove platform hold chain and move slide bar towards front of truck, far enough to clear stop block when unit is lowering.
2. If unit has a mechanical closing platform, move toggle switch in the direction away from the truck. Caution: make sure that no other person is standing behind the platform during the opening operation. The platform will automatically open and lower at the same time.
3. If unit is equipped with a hydraulic closing platform, move lower toggle switch in the direction away from the truck till platform is completely open. Then move the upper switch in the direction away from the truck, to lower platform to ground. Repeat procedure to raise and close.



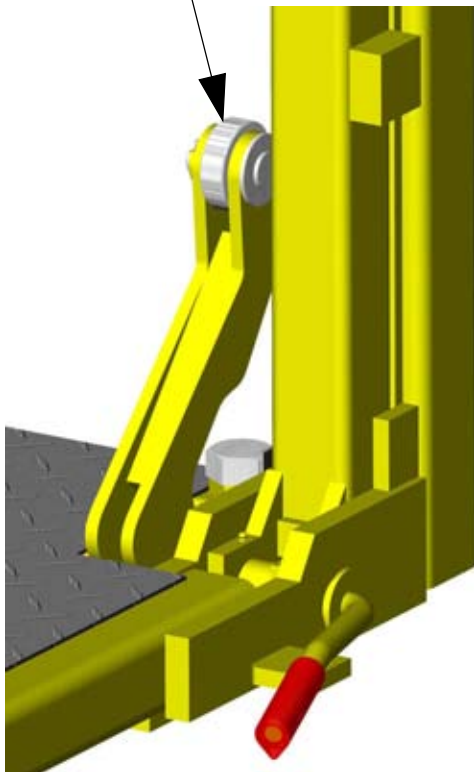
MAXON[®]

11921 Slauson Ave. Santa Fe Springs, CA. 90670 (800) 227-4116 FAX (888) 771-7713

TOGGLE SWITCH & OPENING PROCEDURE

For a one man operation the operator will stand on the top right hand corner of the platform, as illustrated on page 12. The operators feet must be clear of the edges of the platform. Check that the cam followers are in the disengaged position. Operate main control switch to raise platform. When platform reaches bed height release the switch. The load can now be moved into body the body. A load can now be off loaded from the body with the disposition of the load placed centrally about the geometric center of the lifting area. Operate switch to lower platform. When platform touches the ground, release the switch. If retention type ramps are installed to the platform, lower them to the ground to enable load to be off loaded.

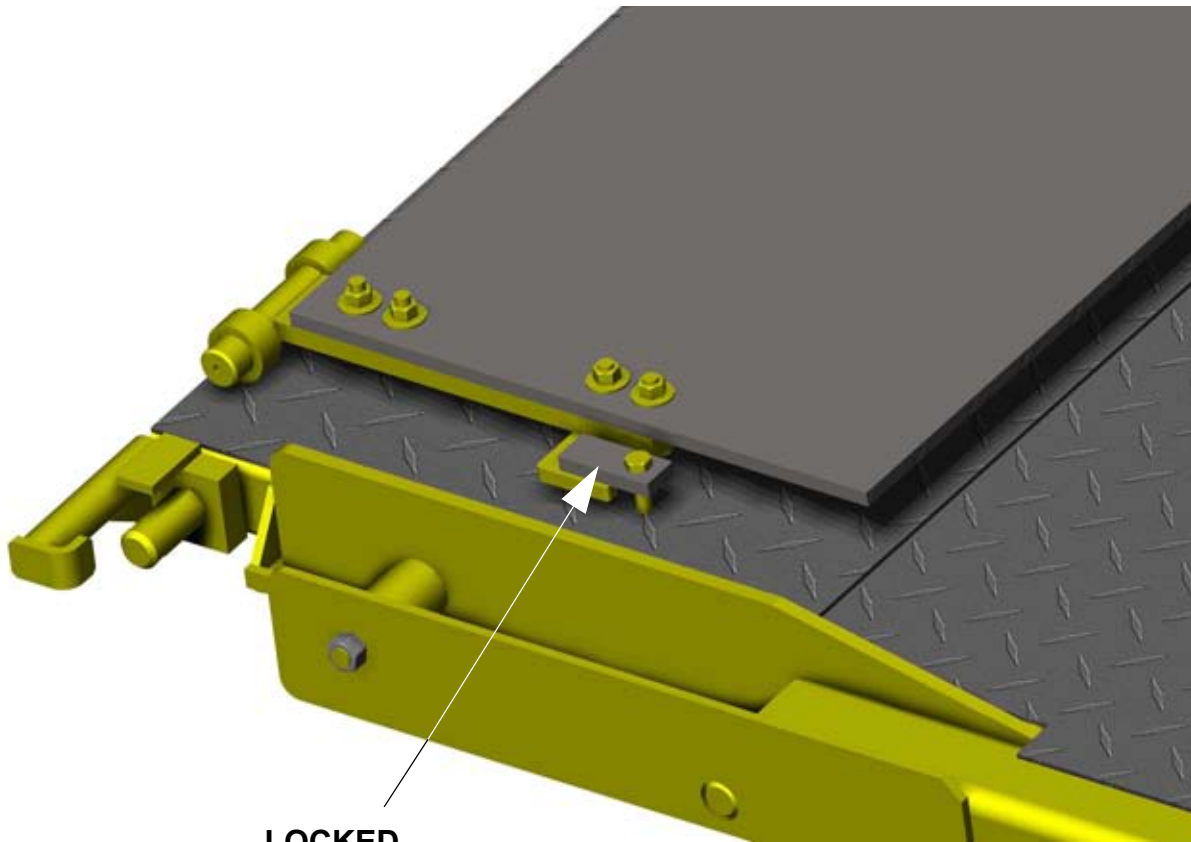
**CAM FOLLOWER
DISENGAGED**



CLOSING PLATFORM TO TAILGATE POSITION

After operations are complete and vehicle is to be moved from the operating zone the platform is raised to the tailgate position in the following manner.

If your platform has the split steel ramp or the aluminum retention ramp it must be first folded over on to the top of the platform and locked in position.



**LOCKED
POSITION**

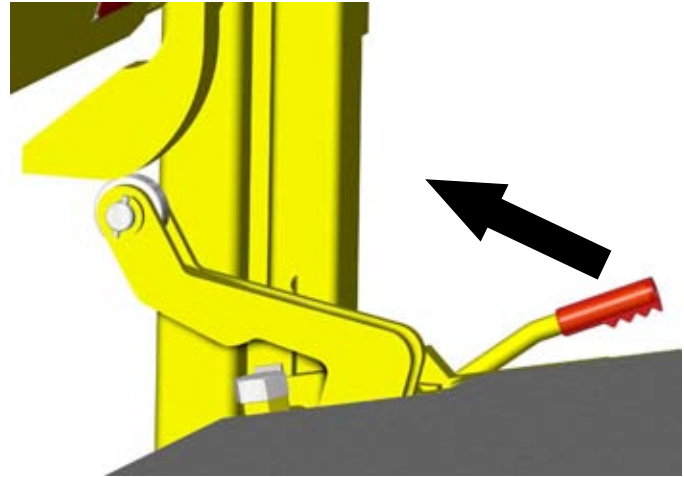
MAXON[®]

11921 Slauson Ave. Santa Fe Springs, CA. 90670 (800) 227-4116 FAX (888) 771-7713

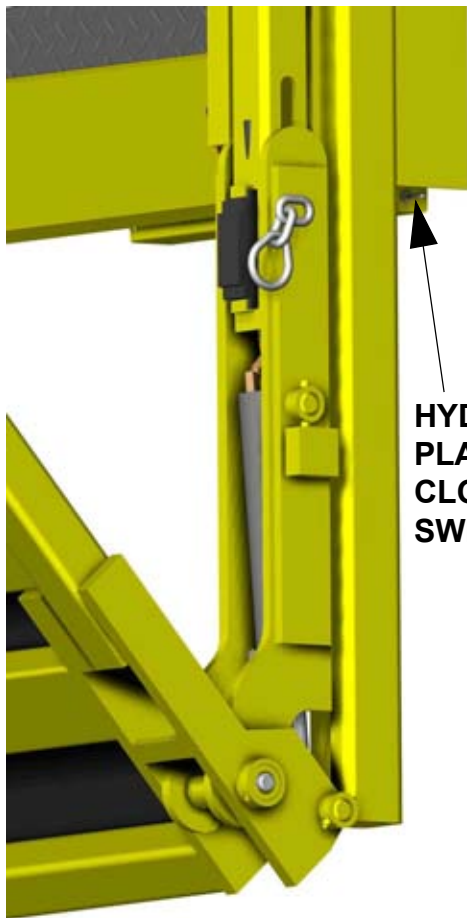
CLOSING MECHANICAL PLATFORM

Using the main control switch, raise lift. Rotate the cam followers to touch the cams and the platform will rotate about the hinge pins until it reaches the vertical position. If the folding section was locked to the platform it will automatically fold as the platform is rotating until it hangs down in vertical position against the underside of the platform.

Continue to raise the platform until both runners hit the stops. Attach chain and move slide bar in the direction away from the truck in the position under the runner blocks.



CLOSING HYDRAULIC PLATFORM



**HYDRAULIC
PLATFORM
CLOSER
SWITCH**

1. If unit is equipped with a hydraulic closing platform, move lower toggle switch in the direction toward the truck till platform is completely closed. Then move the upper switch in the direction towards the truck, to raise platform.
2. Raise unit till platform runners hit column stops. Reattach platform holding chain and move slide bar away from the front of truck.

**RAISE AND
LOWER SWITCH**

**PLATFORM
HOLDING CHAIN**

SLIDE BAR



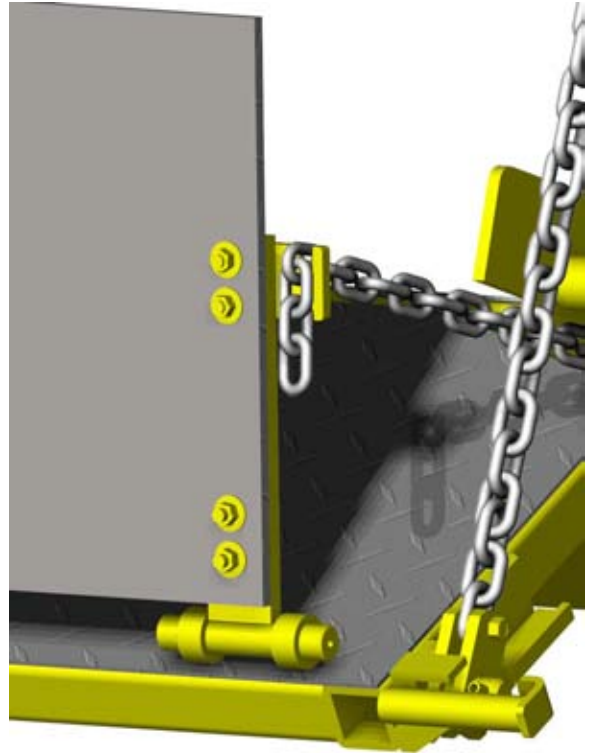
MAXON[®]

11921 Slauson Ave. Santa Fe Springs, CA. 90670 (800) 227-4116 FAX (888) 771-7713

MISC. INFORMATION

PLATFORMS WITH ALUMINUM RETENTION RAMPS

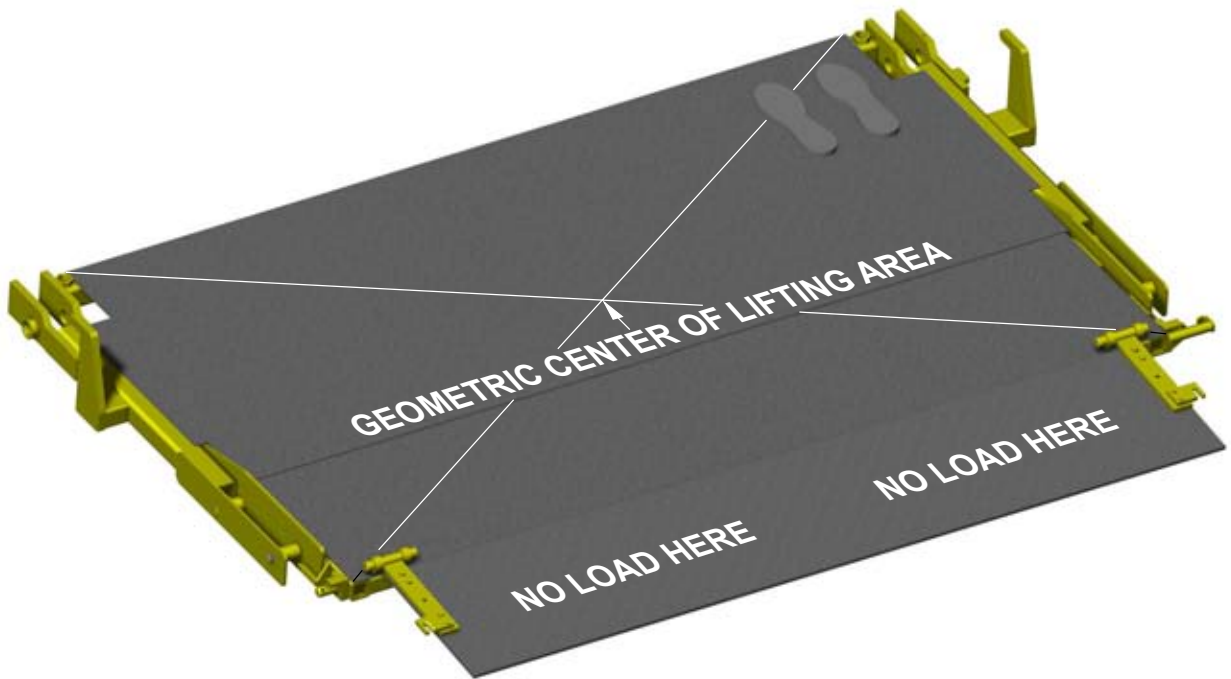
1. If loading is to take place with the platform lowered the retention ramp is unfold so that it will act as a loading ramp. If loading is taking place at bed height, the ramp is placed in the bracket on the side of the ramp. The opposite end of the ramp will be secured in the same manner.



LOADING PLATFORM

The loading requirements are the same whether the platform is loaded from the ground, from bed height or from a dock.

- (a) The load must not be greater than the rated capacity for your unit.
- (b) The load shall be placed and distributed centrally around the geometric center of the lifting area.
- (c) No part of the load shall hang over any of the edges of the lifting area.
- (d) Adequate space must be available for the operator to stand safely within the confines of the platform (feet must not extend over platform edge to enable the operator to reach the corner post control switch in order to raise or lower the platform).
- (e) WARNING! When operating unit extreme care should be taken, especially when loaded, when children and other person are in close vicinity to the operation.
- (f) Before raising the platform always check that the cam followers are in the disengaged position. (This is illustrated in Section (?) - Operating the platform).



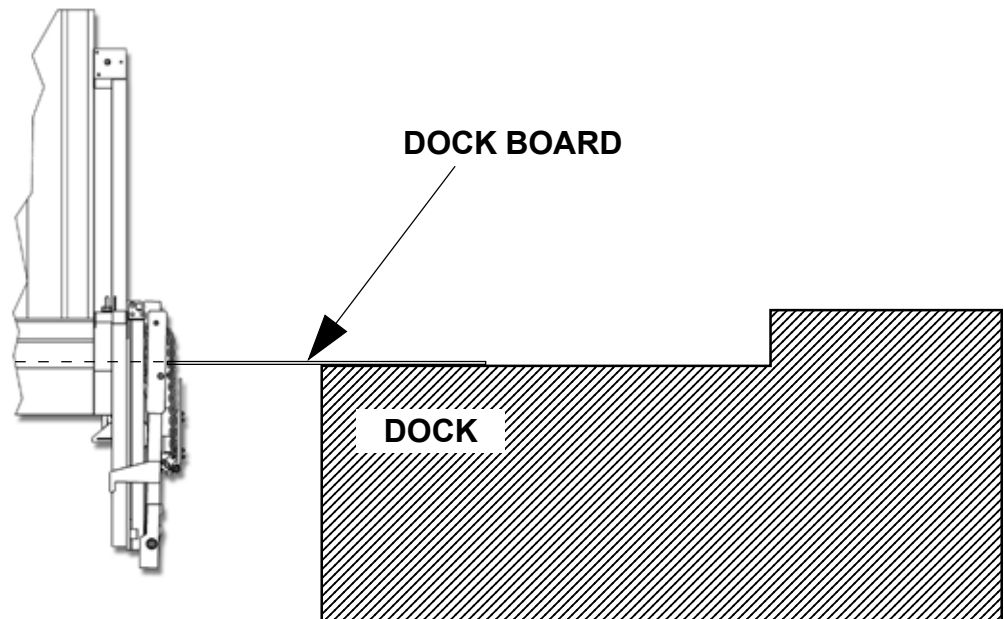
WARNING! Under no circumstances is any load to be carried on any ramp which may be installed to yours platform.

DOCK LOADING PROCEDURE

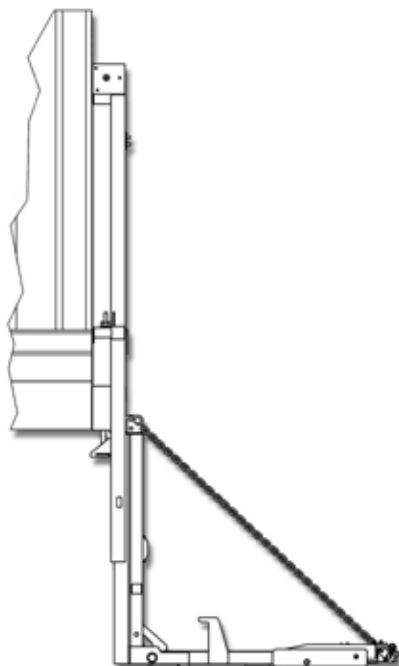
Docking Loading Procedure - Standard Height Docks

Slowly back vehicle against dock. Pull forward a few inches. Platform can now be lowered in vertical position, by moving both left and right slide bars toward front of truck and operating the lowering switch located in curb side column. Do not remove platform holding chain for this operation. When platform clears truck floor, a dock board can be used to bridge the gap between the floor of truck and the dock.

Raise lift to full up position before pulling away from dock.



ALTERNATE DOCK LOADING PROCEDURE



In these circumstances the platform must first be lowered before backing vehicle to the dock. The platform is then raised so that the underside of the platform is higher than the top of the dock.

(Continued on next page)

ALTERNATE DOCK LOADING PROCEDURE

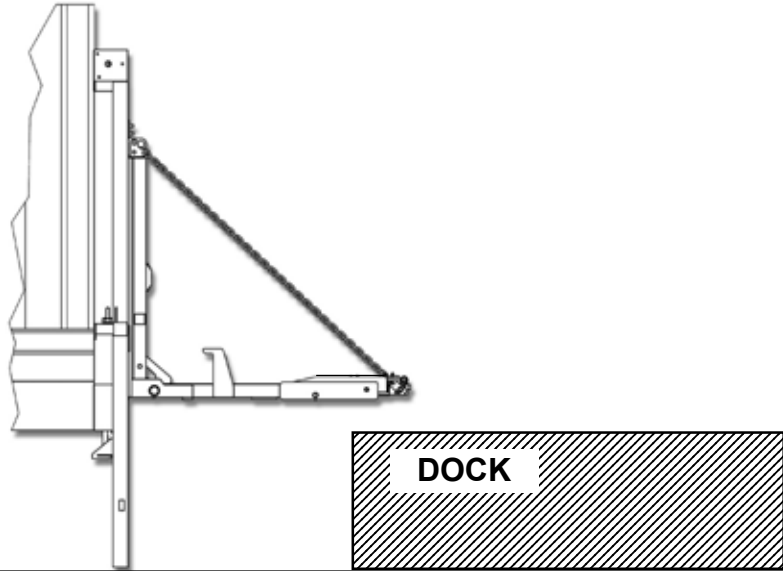
MAXON[®]

11921 Slauson Ave. Santa Fe Springs, CA. 90670 (800) 227-4116 FAX (888) 771-7713

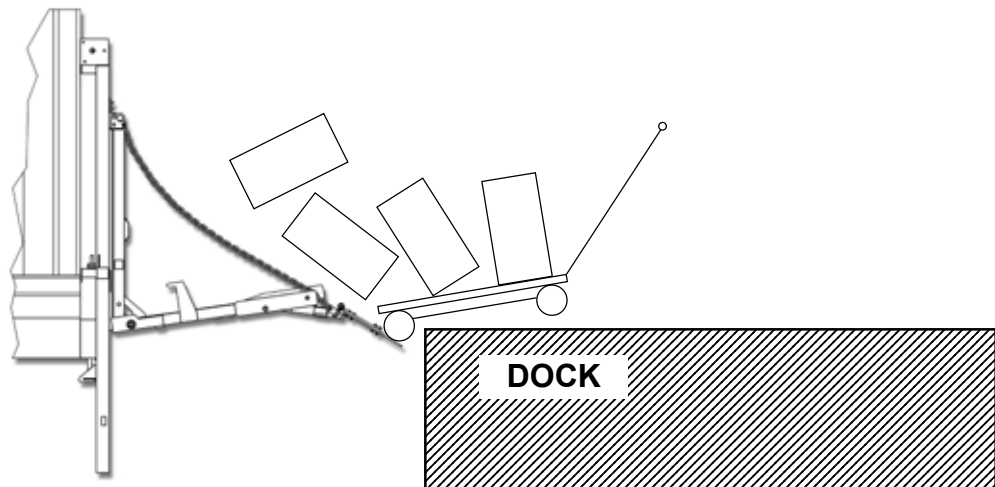
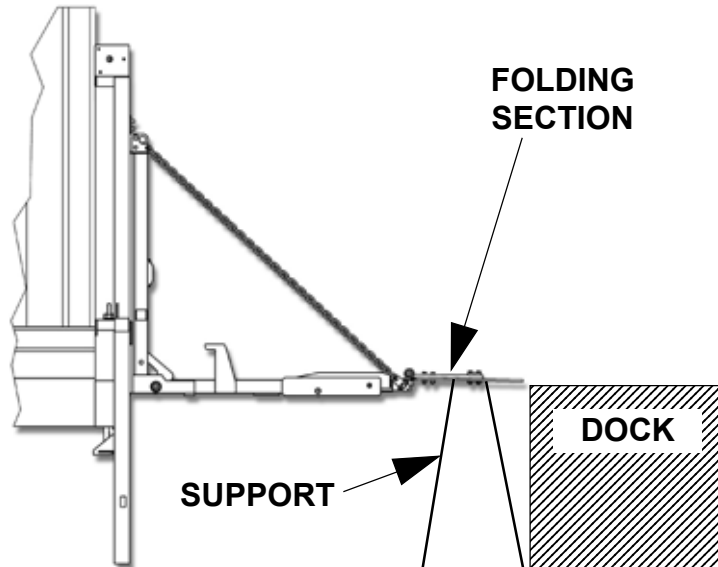
Back vehicles toward the dock until about one foot of platform is over the dock.

Loads can be off loaded from the body to the platform. Using the corner post toggle switch the platform is lowered to the dock.

Loads can be placed on the platform from the dock and then raised, using corner post switch, to the body bed height.



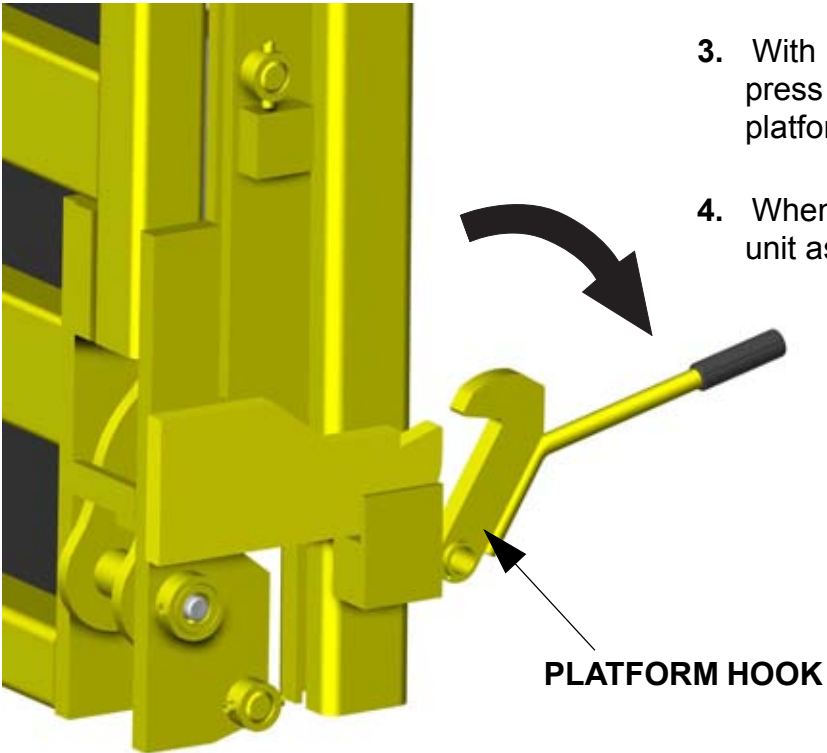
Never try to transfer loads from the dock to the folding section of the platform or from the folding section of the platform to the dock without first placing a support under the folding section of the platform, As shown below. This also applies when transferring a load from one vehicle to another.



If a support is not used under the folding platform section, "this will occur"

RCT OPENING PROCEDURE

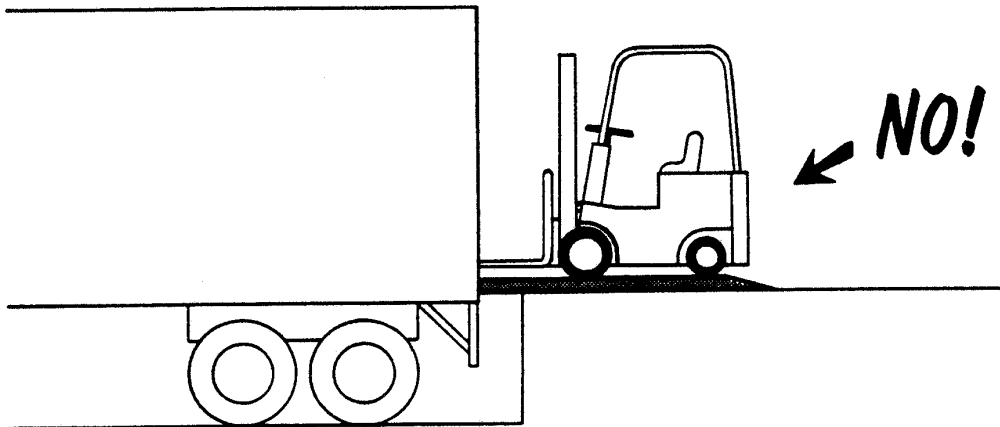
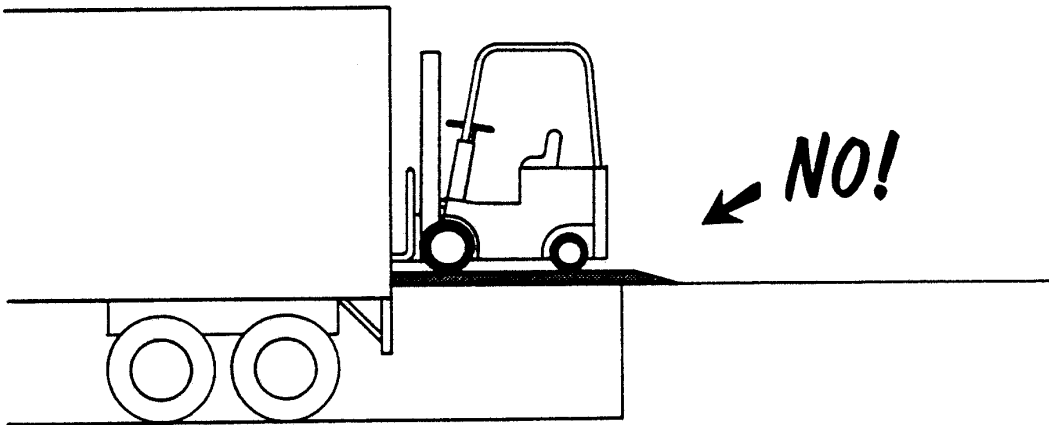
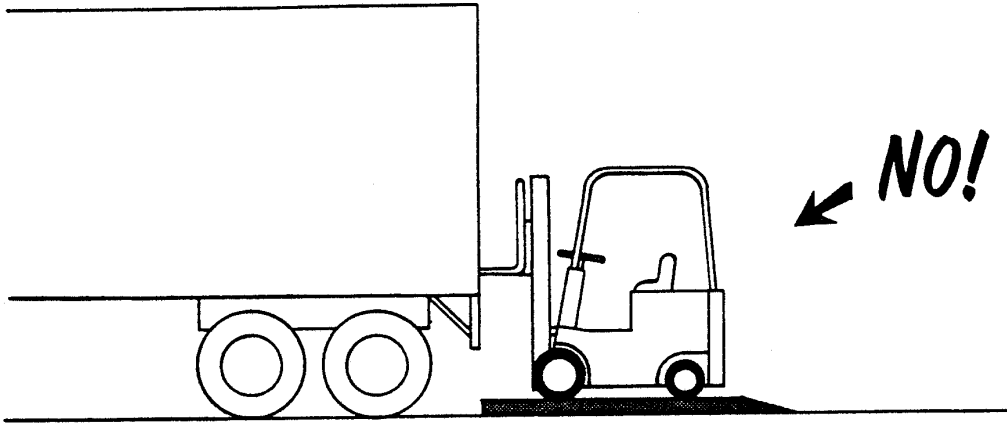
- 1. Remove platform retainer loop from platform.
- 2. Hold platform hook out of the way and push "raise" button to raise platform.



- 3. With platform clear of platform hook, press lower toggle switch to unfold platform.
- 4. When platform is fully open, operate unit as described in previous pages.

FORKLIFT

WARNING!! Keep Forklift Off of Platform!!!



MAXON[®] 11921 Slauson Ave. Santa Fe Springs, CA. 90670 (800) 227-4116 FAX (888) 771-7713