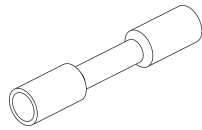
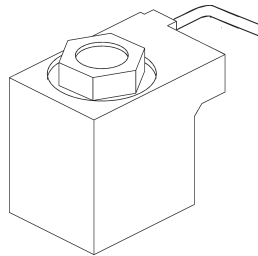


INSTRUCTIONS, DOWN VALVE (COIL) REPLACEMENT

KIT P/N 295465-01



**BUTT CONNECTOR,
14-16 AWG, INSULATED
P/N 030491
QTY. 1**



**COIL
P/N 295583 QTY. 1**

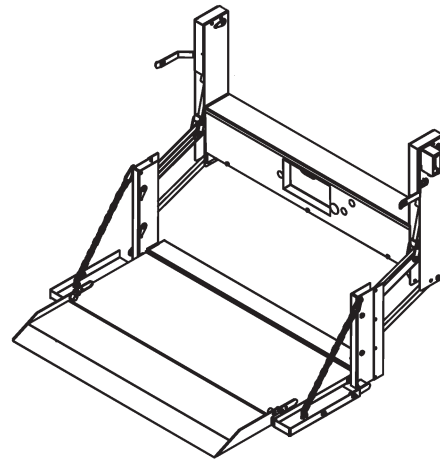
⚠ WARNING

Remove all rings, watches and jewelry before doing any electrical work.

⚠ WARNING

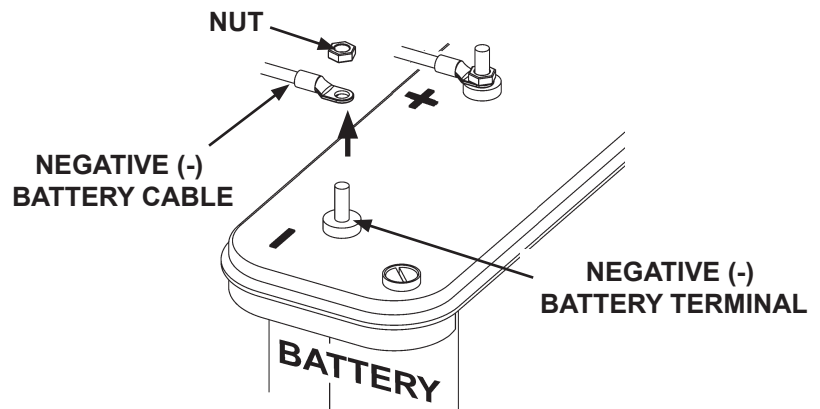
To prevent accidental personal injury and equipment damage, disconnect (-) battery cable from battery.

1. Unfold platform and flipover if equipped. Then, lower platform to the ground (**FIG. 2-1**). See **Operation Manual** for detailed operating instructions.



PLATFORM LOWERED TO THE GROUND
FIG. 2-1

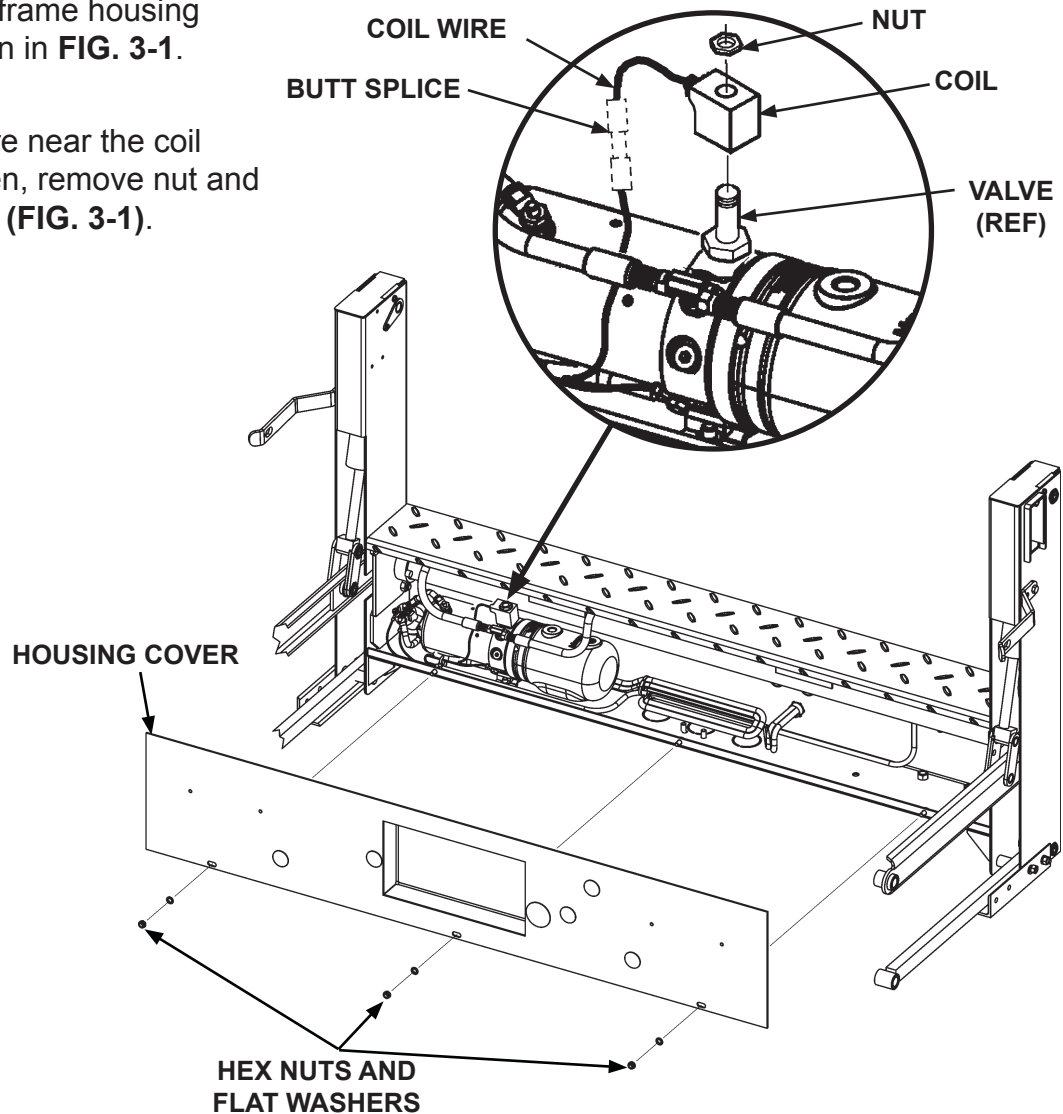
2. Disconnect power from liftgate. Remove nut from negative (-) battery terminal (**FIG. 2-2**). Disconnect negative (-) battery cable (**FIG. 2-2**).



DISCONNECTING POWER
FIG. 2-2

3. Remove main frame housing cover as shown in **FIG. 3-1**.

4. Cut the coil wire near the coil (**FIG. 3-1**). Then, remove nut and coil from valve (**FIG. 3-1**).



REMOVING & REPLACING COIL
FIG. 3-1

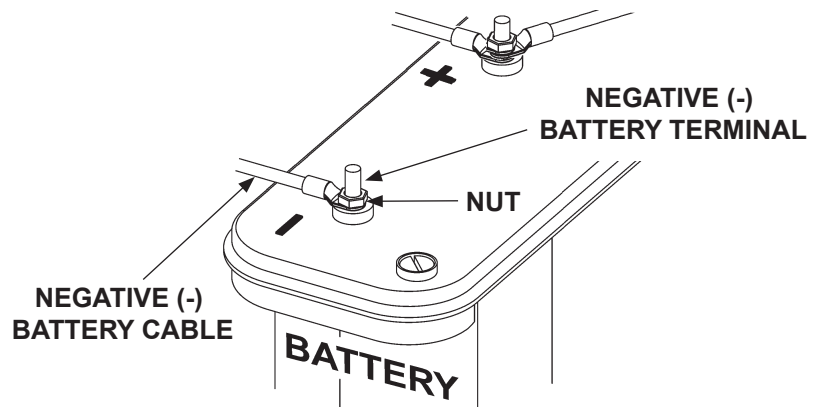
CAUTION

To prevent damage to the down valve, do not overtighten coil nut.

5. Reinstall the new coil and old nut.
Torque nut to **30 in-lbs force** (**FIG. 3-1**).

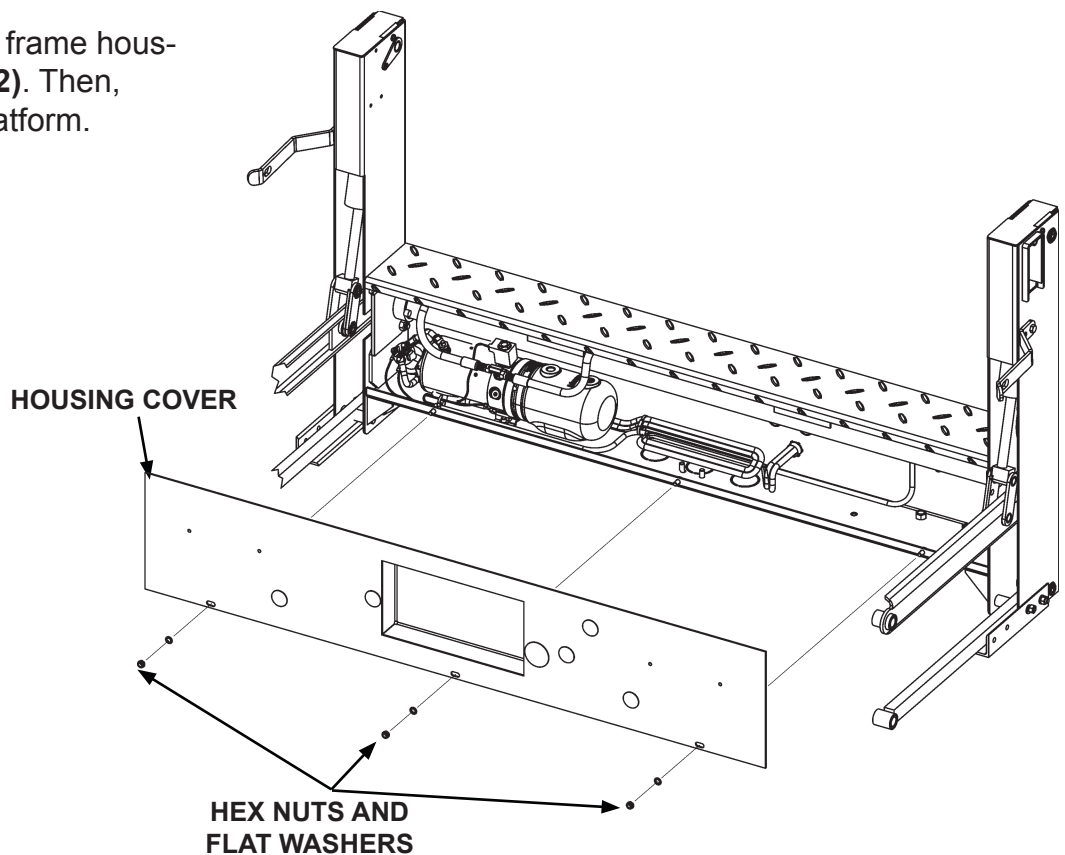
6. Use butt connector (Kit item) to connect (+) coil wire to the electrical wiring (**FIG. 3-1**).

7. Reconnect power to liftgate. Replace nut from negative (-) battery terminal (FIG. 4-1). Connect negative (-) battery cable (FIG. 4-1).



RECONNECTING POWER
FIG. 4-1

8. Reinstall the main frame housing cover (FIG. 4-2). Then, close and latch platform.



REPLACE HOUSING COVER
FIG. 4-2

9. Test the liftgate for proper operation and check for hydraulic oil leaks.