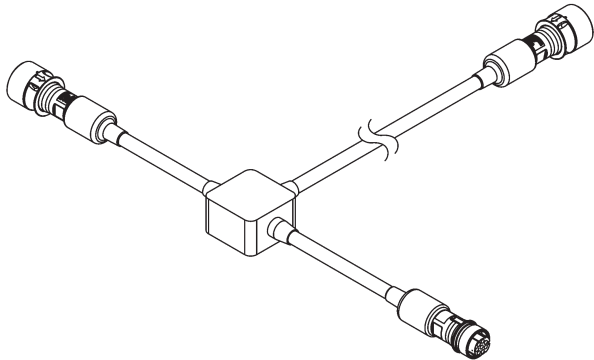
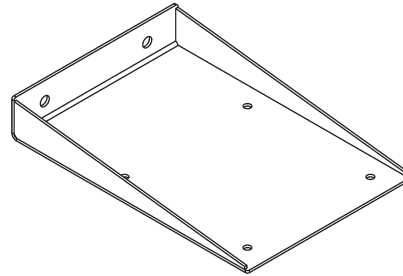
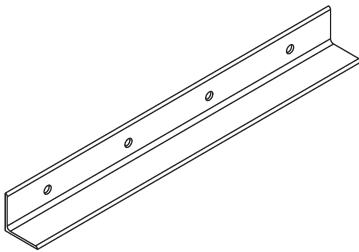


**INSTRUCTION, BMRB STREET-SIDE CONTROL KIT****GRAVITY DOWN CONTROL KIT, P/N 289850-01**

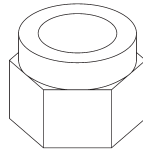
**ELECTRICAL CONTROL TEE**  
P/N 289709-01  
QTY. 1



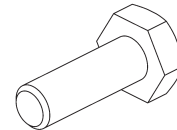
**ANGLE PLATE**  
P/N 263264-01  
QTY. 1



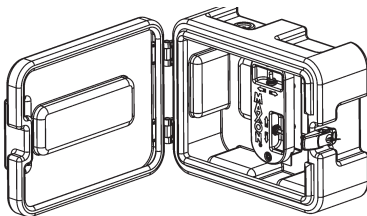
**ANGLE, 2" X 2" X 1/8" X 20" LG**  
P/N 263299  
QTY. 1



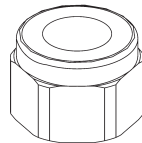
**LOCK NUT, 3/8"-16**  
P/N 901002  
QTY. 2



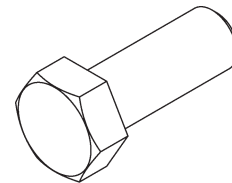
**CAP SCREW**  
1/4"-20 X 3/4" LG, GRADE 8  
P/N 900004-2  
QTY. 4



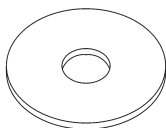
**PLASTIC ENCLOSURE WITH GRAVITY DOWN CONTROL**  
QTY. 1



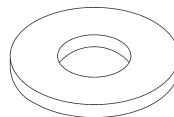
**LOCK NUT, 1/4"-20**  
P/N 901000  
QTY. 4



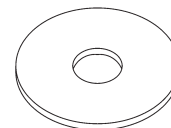
**HEX CAP SCREW**  
3/8"-16 X 1" LG, GRADE 8  
P/N 900014-4  
QTY. 2



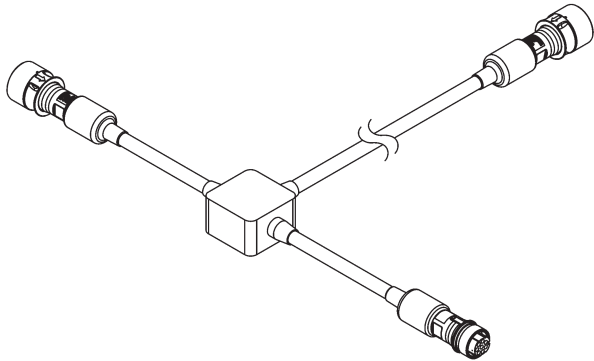
**FLAT WASHER, 3/8"**  
P/N 902001-2  
QTY. 4



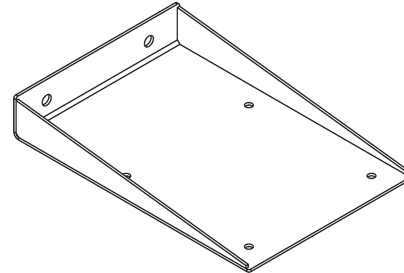
**FLAT WASHER, #10**  
P/N 902013-07  
QTY. 4



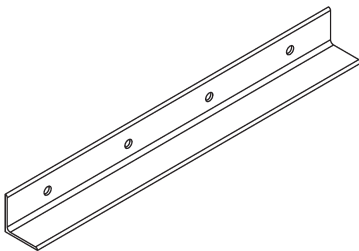
**WASHER, 1/4" X 7/8" O.D.**  
P/N 903438-01  
QTY. 8

**POWER DOWN CONTROL KIT, P/N P/N 289850-02**

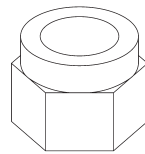
**ELECTRICAL CONTROL TEE**  
P/N 289709-01  
QTY. 1



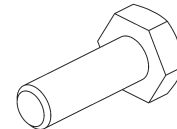
**ANGLE PLATE**  
P/N 263264-01  
QTY. 1



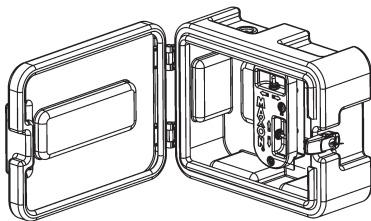
**ANGLE, 2" X 2" X 1/8" X 20" LG**  
P/N 263299  
QTY. 1



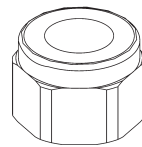
**LOCK NUT, 3/8"-16**  
P/N 901002  
QTY. 2



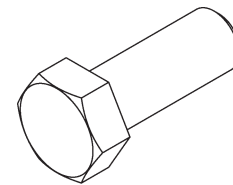
**CAP SCREW**  
1/4"-20 X 3/4" LG, GRADE 8  
P/N 900004-2  
QTY. 4



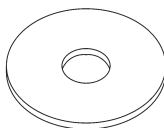
**PLASTIC ENCLOSURE WITH  
POWER DOWN CONTROL**  
QTY. 1



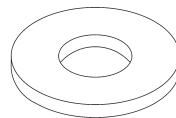
**LOCK NUT, 1/4"-20**  
P/N 901000  
QTY. 4



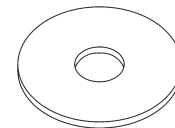
**HEX CAP SCREW**  
3/8"-16 X 1" LG, GRADE 8  
P/N 900014-4  
QTY. 2



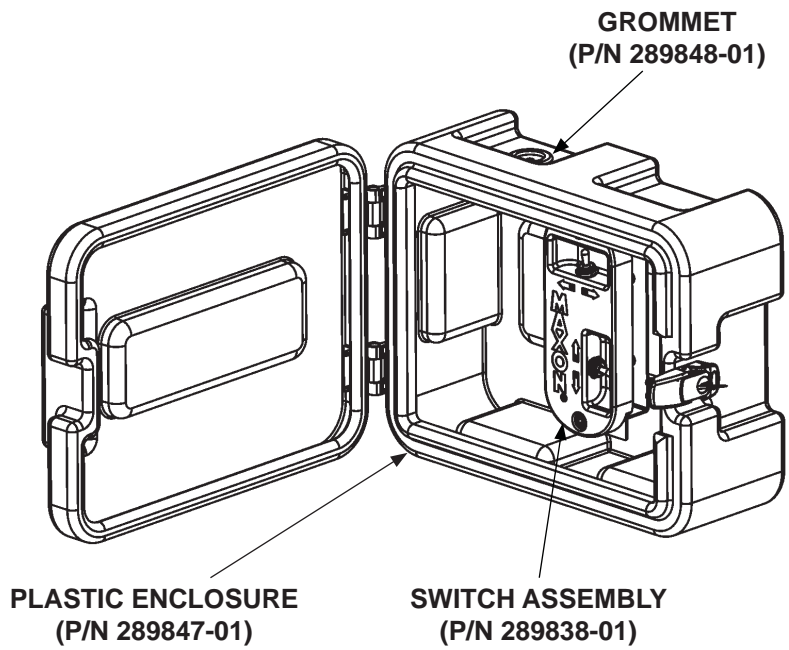
**FLAT WASHER, 3/8"**  
P/N 902001-2  
QTY. 4



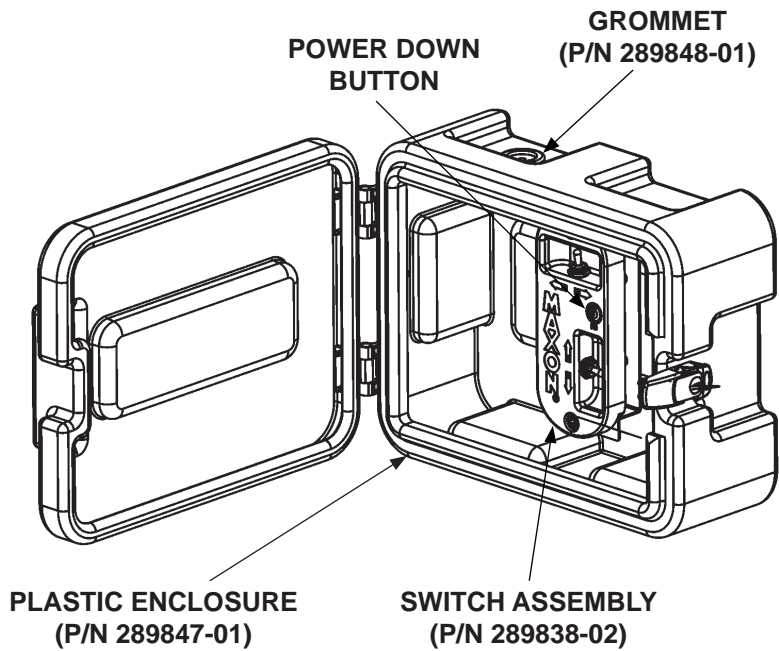
**FLAT WASHER, #10**  
P/N 902013-07  
QTY. 4



**WASHER, 1/4" X 7/8" O.D.**  
P/N 903438-01  
QTY. 8



**ENCLOSURE ASSEMBLY WITH GRAVITY DOWN CONTROL**

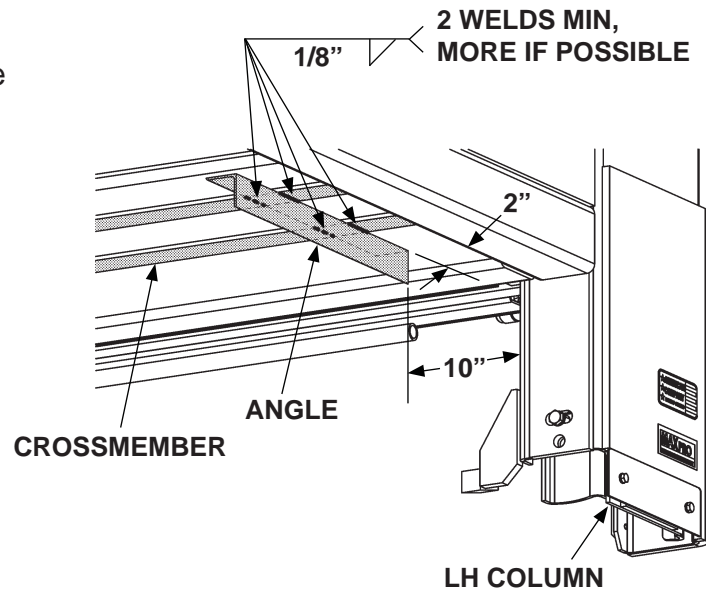


**ENCLOSURE ASSEMBLY WITH POWER DOWN CONTROL**

**⚠ WARNING**

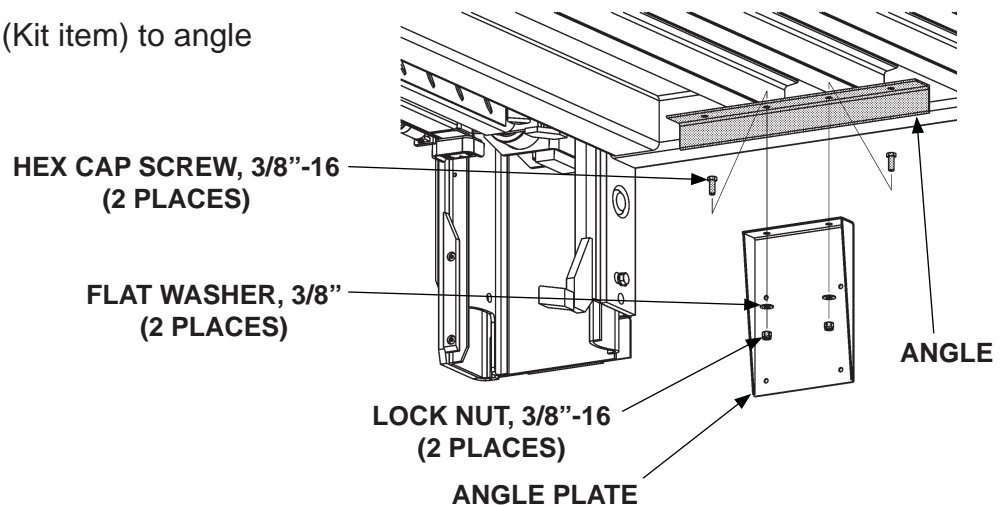
Recommended practices for welding on steel parts are contained in the current AWS (American Welding Society) D1.1 Structural Welding Code - Steel. Damage to Liftgate and/or vehicle, and personal injury can result from welds that are done incorrectly.

1. Measure and mark 10" from the LH column and 2" in from the edge of the vehicle. Then, position the angle (Kit item) on crossmembers of vehicle body (FIG. 4-1).



**STREET SIDE VIEW OF VEHICLE BODY & LH COLUMN**  
**FIG. 4-1**

2. Weld the angle to the truck/trailer crossmembers (FIG. 4-1).
3. Bolt the angle plate (Kit item) to angle (FIG. 4-2).



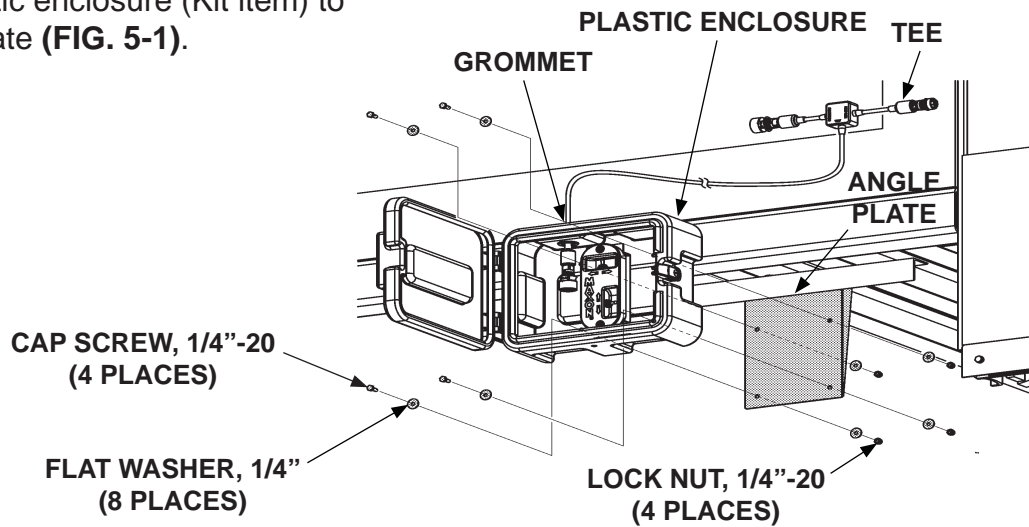
**BOLTING ANGLE PLATE TO ANGLE**  
**(LH COLUMN SHOWN)**  
**FIG. 4-2**

4. Insert electrical tee (Kit item) through grommet in plastic enclosure (**FIG. 5-1**).

## CAUTION

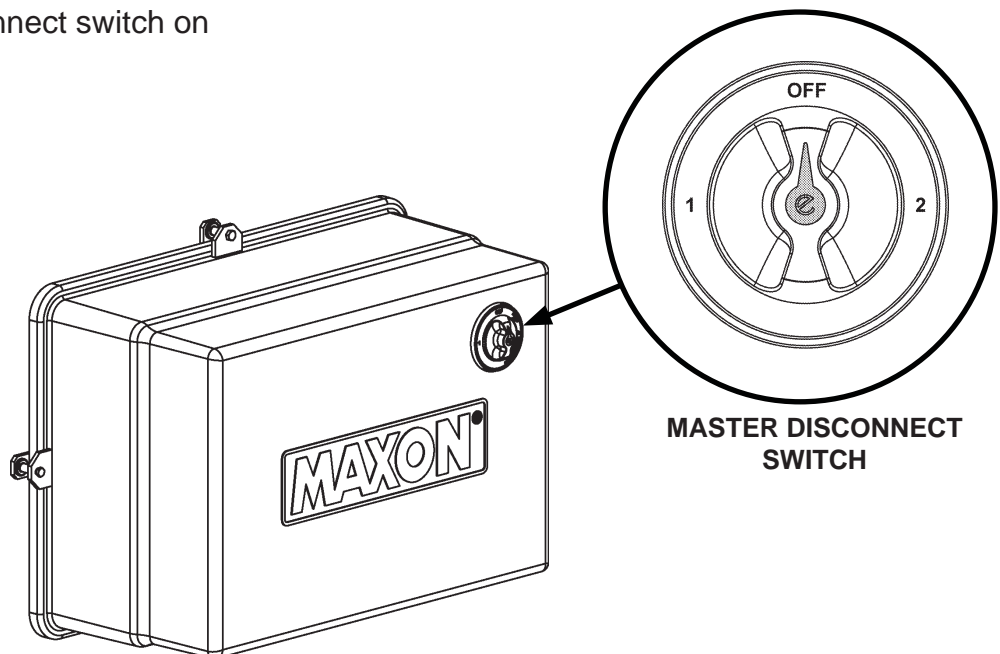
Allow welds to cool before attaching plastic enclosure.

5. Bolt the plastic enclosure (Kit item) to the angle plate (**FIG. 5-1**).



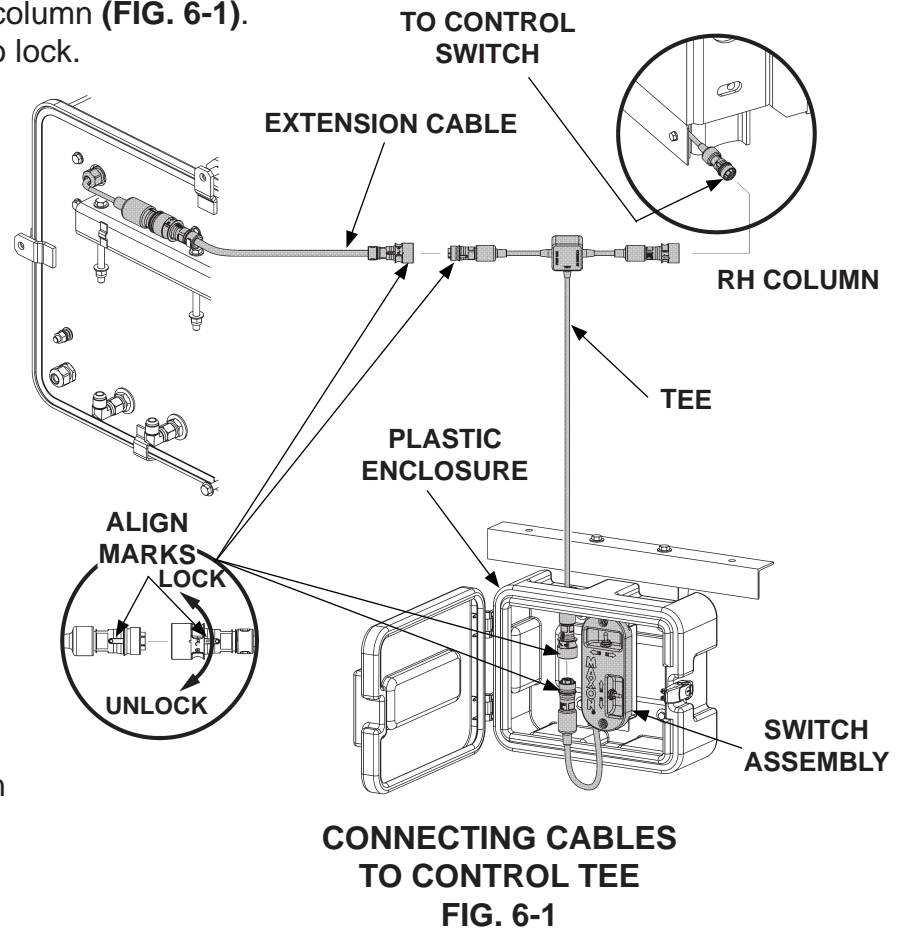
**BOLTING ENCLOSURE TO ANGLE PLATE**  
**FIG. 5-1**

6. Turn off master disconnect switch on pump box (**FIG. 5-2**).

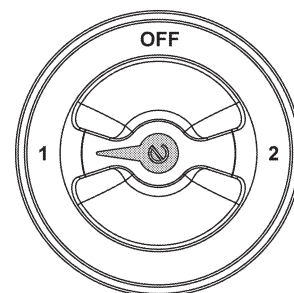


**TURNING OFF MASTER DISCONNECT SWITCH**  
**FIG. 5-2**

7. Route the tee (Kit item) to the RH column (**FIG 6-1**).
8. Disconnect electrical extension cable from control switch cable on the RH column by turning connector ring counterclockwise to unlock (**FIG. 6-1**). Then, connect tee to control switch cable in the RH column (**FIG. 6-1**). Turn connector clockwise to lock.

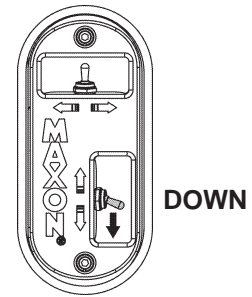


9. Connect switch assembly, in plastic enclosure, to the tee (**FIG 6-1**). Turn connector clockwise to lock.
10. Turn master disconnect switch to 1, or 2 for dual pump (**FIG. 6-2**).

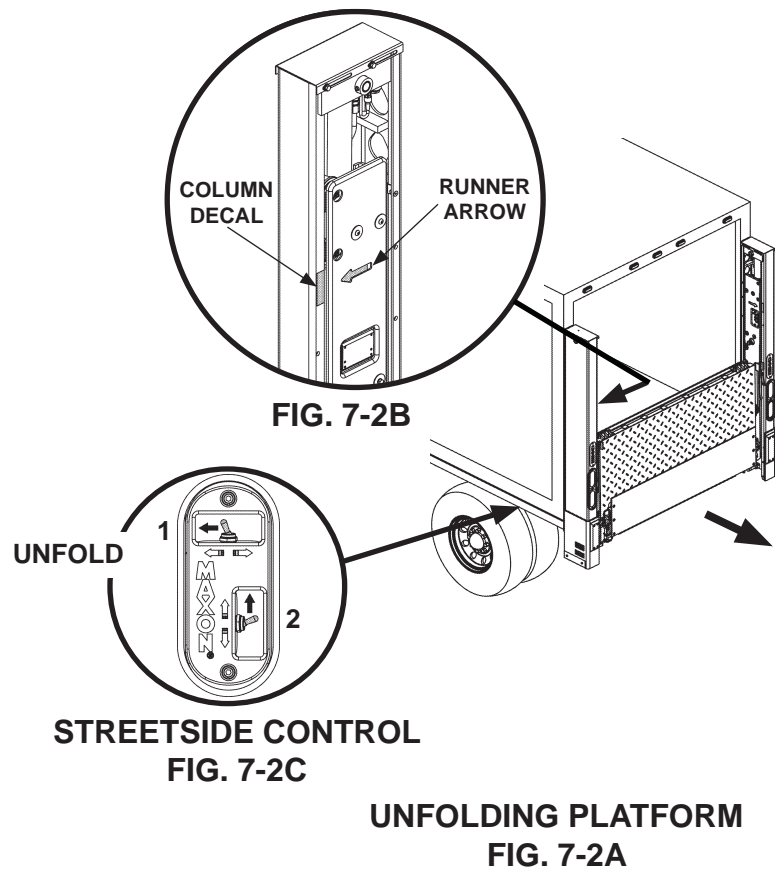


**NOTE:** Use the auxiliary control to check operation of the Liftgate.

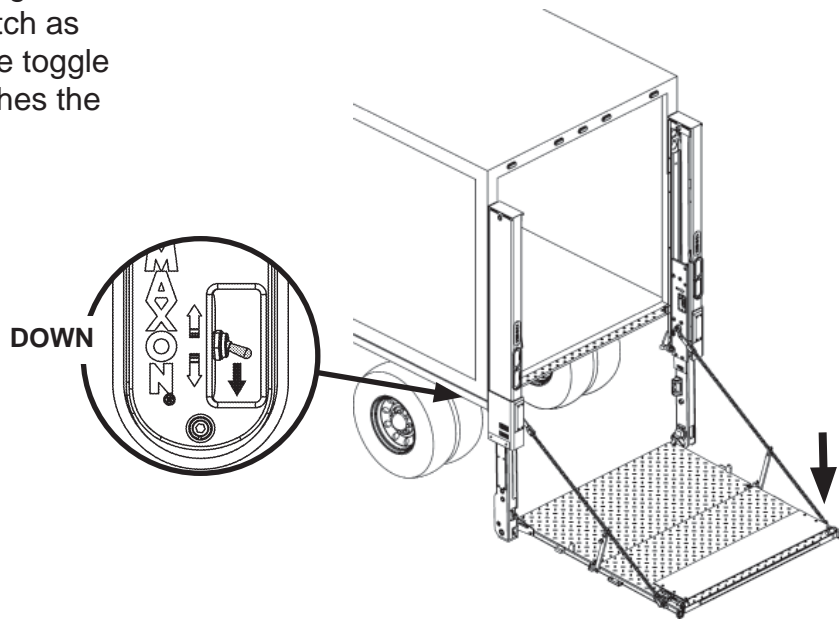
11. Push toggle switch to **DOWN** position (**FIG. 7-1**) to lower platform until yellow runner arrow and column decal are aligned (**FIG 7-2B**). Platform will be released from the locking wedges on the Liftgate column. Next, use street side control switches **1** and **2** to **UNFOLD** platform (**FIGS. 7-2A and 7-2C**). Hold both toggle switches until platform reaches the unfolded (horizontal) position and then release the switches.



**STREET SIDE CONTROL SWITCH  
(GRAVITY DOWN SHOWN)  
FIG. 7-1**

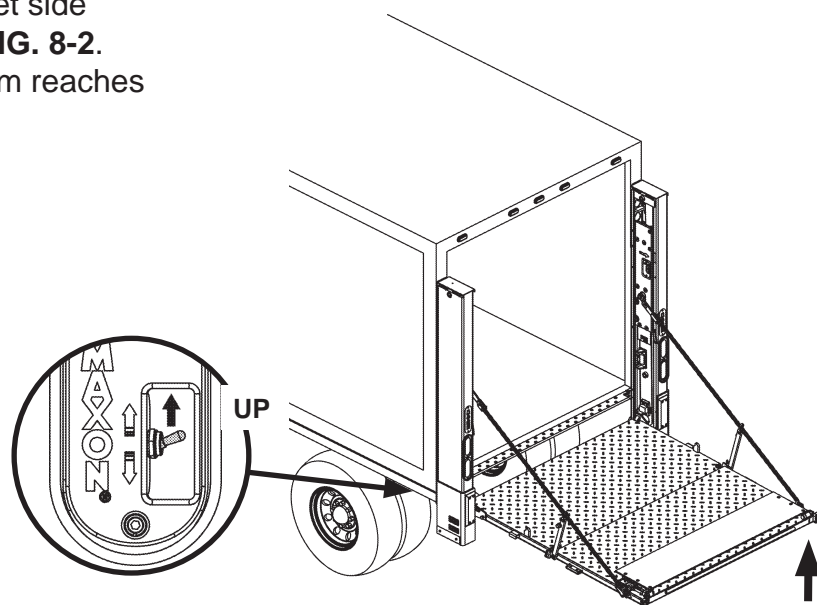


12. To **LOWER** platform to the ground, use street side control switch as shown in **FIG. 8-1**. Release toggle switch when platform reaches the ground.



**LOWERING PLATFORM TO GROUND  
USING STREET SIDE CONTROL SWITCH  
FIG. 8-1**

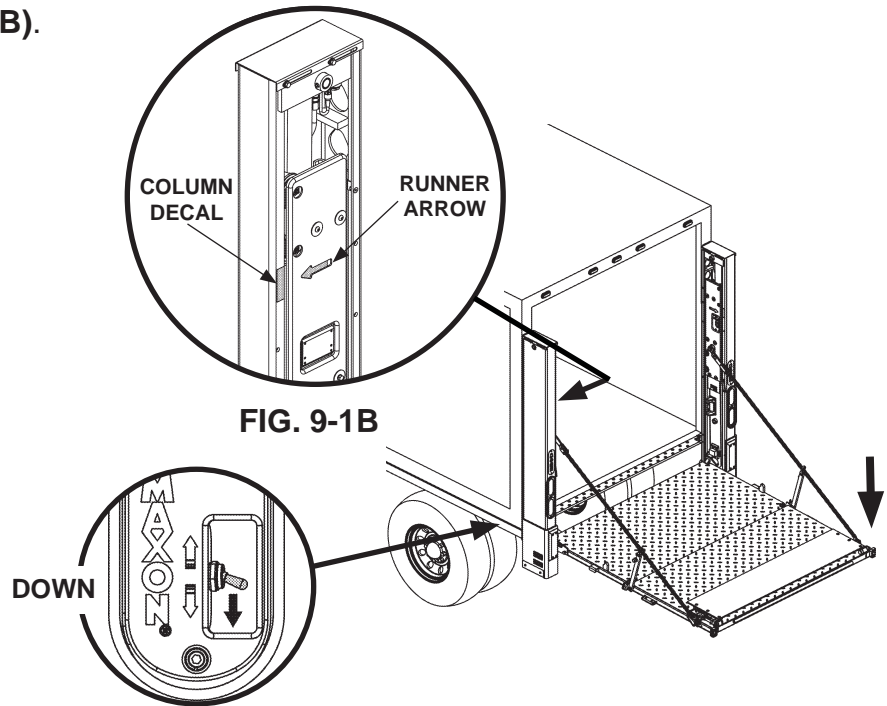
13. To **RAISE** platform, use street side control switch as shown in **FIG. 8-2**. Release switch when platform reaches bed height.



**RAISING PLATFORM  
USING STREET SIDE CONTROL SWITCH  
FIG. 8-2**

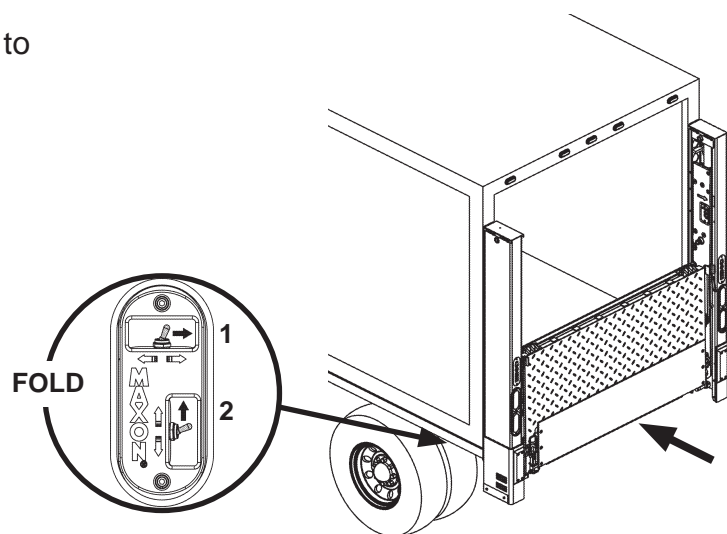


14. To stow platform, push toggle switch to **DOWN** position (**FIG. 9-1A**). Lower platform until yellow runner arrow and column decal are aligned (**FIG. 9-1B**).



**STOWING PLATFORM USING  
STREET SIDE CONTROL SWITCH  
FIG. 9-1A**

15. Hold both toggle switches 1 and 2 to **FOLD** platform (**FIG. 9-2**).



**FOLDING PLATFORM  
USING STREET SIDE CONTROL SWITCH  
FIG. 9-2**

**⚠ WARNING**  
**Upper locking wedges must be engaged before moving vehicle.**

16. Push toggle switch to raise (**UP**) platform to upper locking position as follows (**FIG. 10-1A**). Raise platform until round wedge on each opener arm is behind the upper locking wedge on each column (**FIG. 10-1B**).

