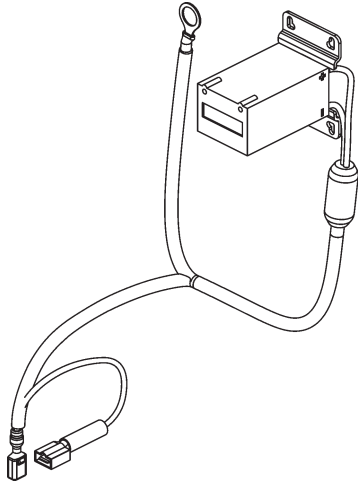
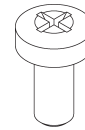


INSTRUCTION, BMR CYCLE COUNTER KIT

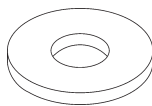
KIT P/N 289537-01



CYCLE COUNTER
P/N 297347-01
QTY. 1



PAN HEAD SCREW,
#4-40 X 1/4" LG.
P/N 900024-4
QTY. 4

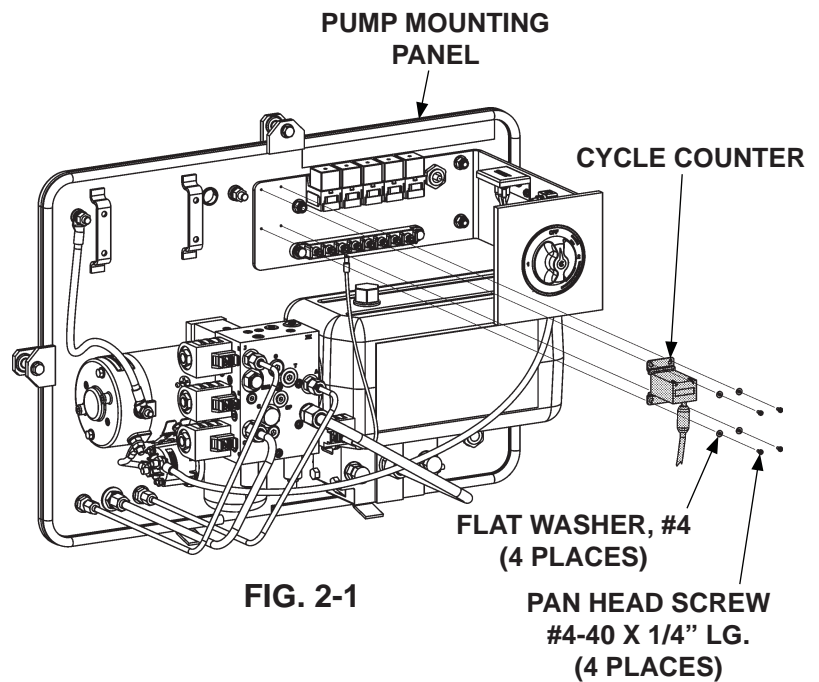


FLAT WASHER, #4
P/N 902013-03
QTY. 4



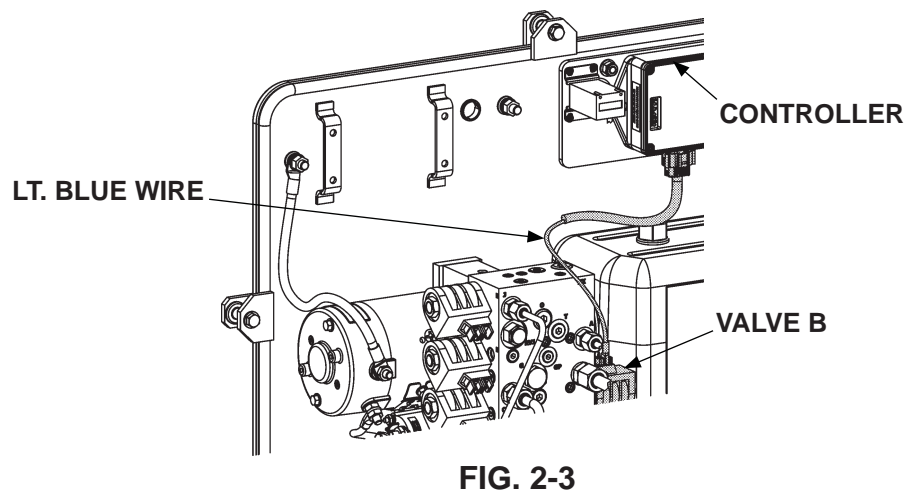
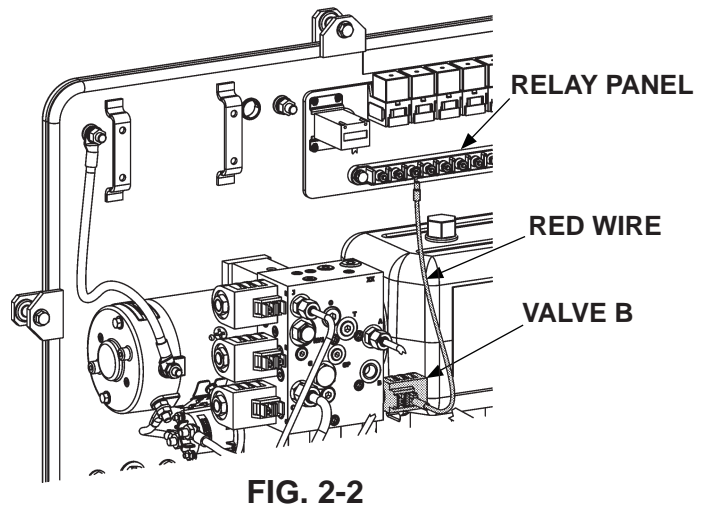
PLASTIC TIE, 4" LG.
P/N 208153
QTY. 4

1. Turn **OFF** the master disconnect switch at the pump box to disconnect battery power from the hydraulic pumps. Refer to **BMR Operation Manual** for detailed instructions.
2. Remove pump cover.
3. Bolt cycle counter (Kit item) to pump mounting panel as shown in **FIG. 2-1**.



NOTE: Refer to **FIG. 2-2** for pump with relay panel, or **FIG. 2-3** for pump with controller.

4. Disconnect existing wire from valve B on the pump (**FIGS. 2-2 or 2-3**).



- Remove nut and washer from ground post (FIG. 3-1). Then connect black wire to ground post and secure with nut and washer (FIG. 3-1).

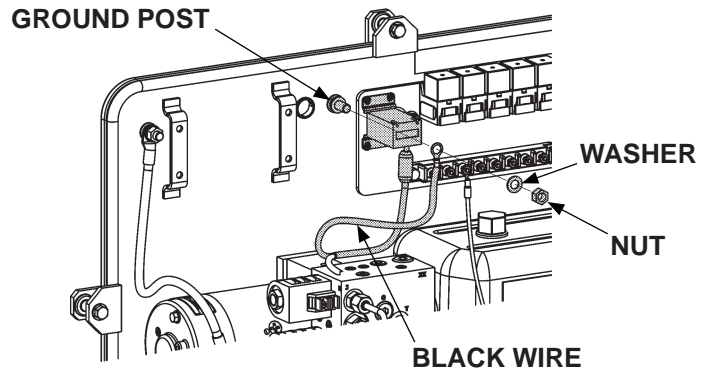


FIG. 3-1

NOTE: Existing light blue wire is for pump boxes with a controller (FIG. 2-3). Existing Red wire is for pump boxes with a relay panel (FIG. 2-2).

- Connect red wire (female positive lock terminal) to valve B (FIGS. 3-2 and 3-2A). Connect remaining red wire (cycle counter) to the light blue wire from controller, or red wire from relay panel (FIGS. 3-2 and 3-2A).

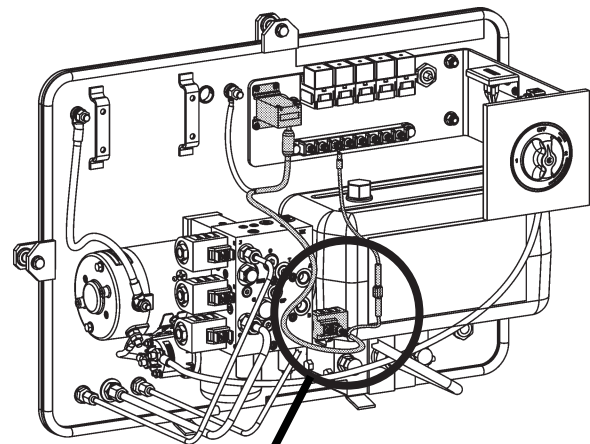


FIG. 3-2

- Replace pump cover.
- Turn **ON** the master disconnect switch at the pump box to connect battery power from the hydraulic pumps. Refer to **BMR Operation Manual** for detailed instructions.

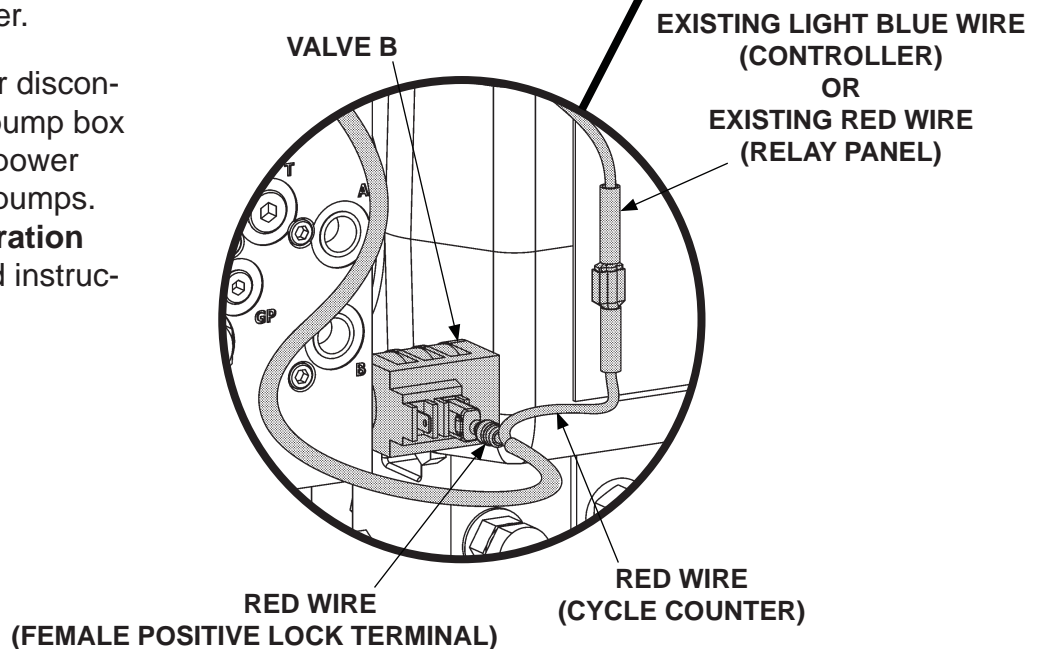


FIG. 3-2A