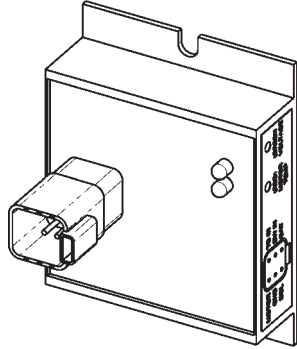
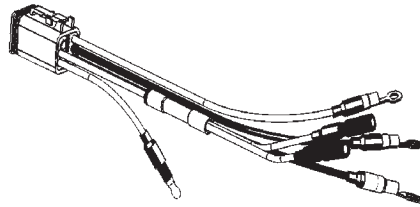


INSTRUCTION, LVTS KIT, GPTLR KIT P/N 282326-01



**LOW VOLTAGE THERMAL SWITCH
(LVTS MODULE)
P/N 906530-01
QTY. 1**



**LOW VOLTAGE THERMAL SWITCH
(LVTS) HARNESS
P/N 268078-01
QTY. 1**

MAXON®

**LOW VOLTAGE / THERMAL
SWITCH (LVTS) INSTRUCTIONS**

The LVTS system protection device, located inside the pump box on this liftgate, is designed to stop the liftgate from operating when the temperature of the pump motor is too high or the battery voltage is too low for reliable operation. Please follow the instructions, below, if these conditions occur.

VOLTAGE LIGHT (GREEN)

- ON**-Liftgate functions are normal.
- BLINKING RAPIDLY**-Liftgate will shut down shortly.
- BLINKING SLOWLY**-Liftgate has shut down.
- OFF**-No power or LVTS is malfunctioning.



MANUAL OVERRIDE

Rapidly toggle liftgate control switch to the up position and back to the center position 5 times to override shut down mode. This allows liftgate to operate for an additional cycle.

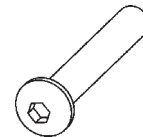
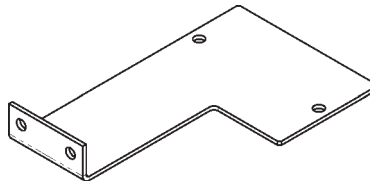
BATTERY VOLTAGE RESET

LVTS resets when battery is above 13 volts. Start vehicle engine to recharge battery.

MOTOR TEMPERATURE LIGHT (RED)

- OFF**-Motor Temperature is okay.
- ON**-Motor is overheated and has shut down. Temperature switch will reset automatically and red light will go out when the motor has cooled down.

P/N 284776-02



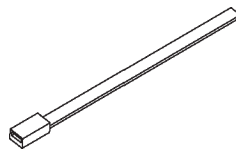
**DECAL, LVTS INSTRUCTION
P/N 264776-02
QTY. 1**

**LVTS MOUNTING BRACKET
P/N 282327-01
QTY. 1**

**BUTTON HEAD
SCREW
1/4"-20 X 3/4" LG.
P/N 900005-3
QTY. 4**



**LOCK NUT, NYLON 1/4"-20
P/N 901000
QTY. 4**

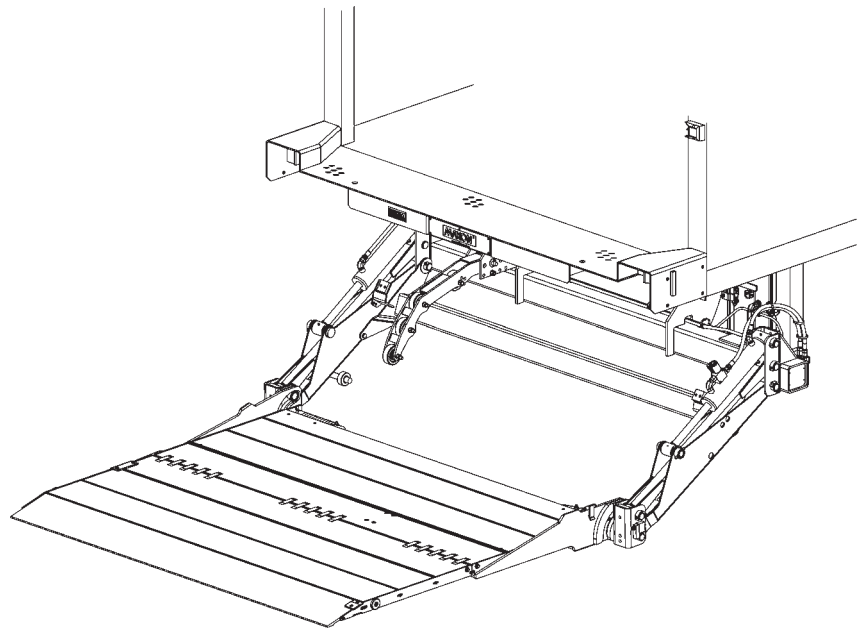


**PLASTIC TIE, 7"
P/N 205780
QTY. 2**



**MALE BULLET 16 GAUGE
P/N 263345-01
QTY. 1**

1. Unfold platform and lower platform to the ground (**FIG. 2-1**).

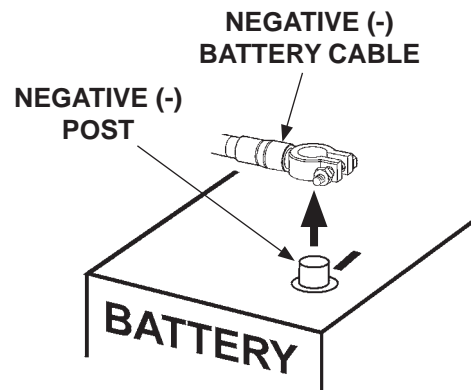


PLATFORM AT GROUND LEVEL
FIG. 2-1

⚠ WARNING
Remove all rings, watches and jewelry before doing any electrical work.

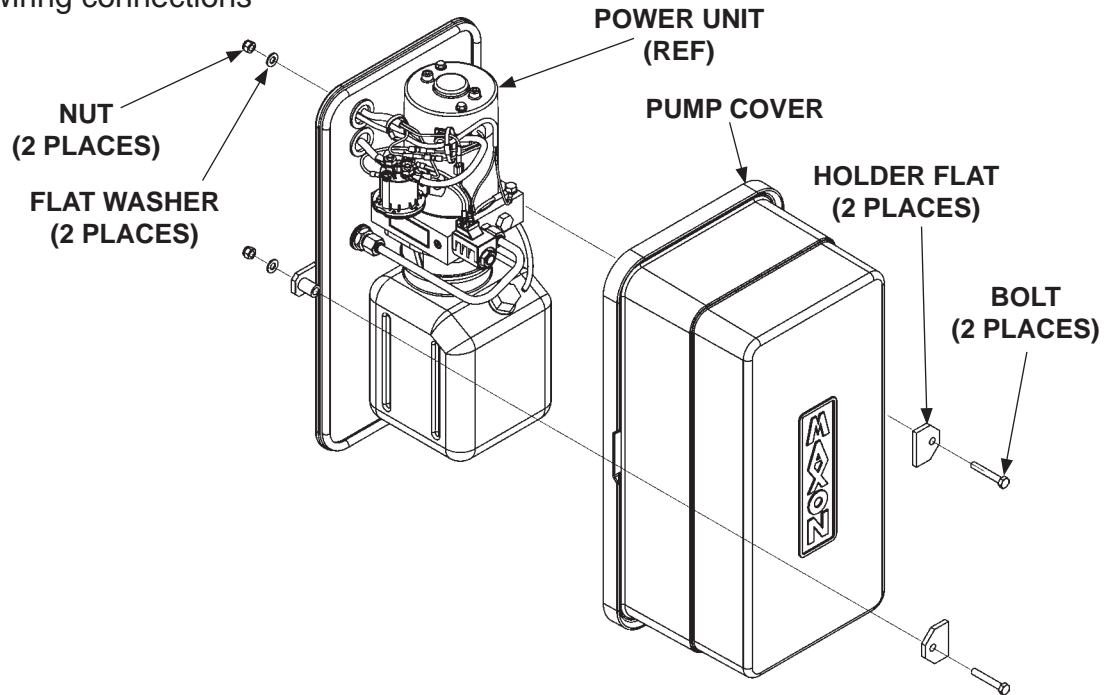
⚠ WARNING
To prevent accidental personal injury and equipment damage, make sure power is disconnected from Liftgate while installing parts.

2. Disconnect power from Liftgate by disconnecting negative (-) cable from negative (-) post on the battery (**FIG. 2-2**).



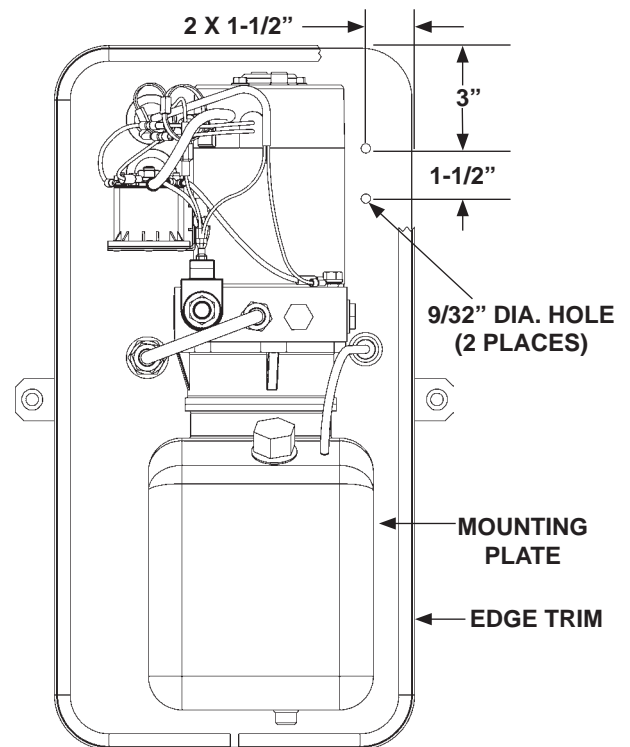
DISCONNECTING BATTERY
FIG. 2-2

3. Remove pump cover to gain access to wiring connections (FIG. 3-1).



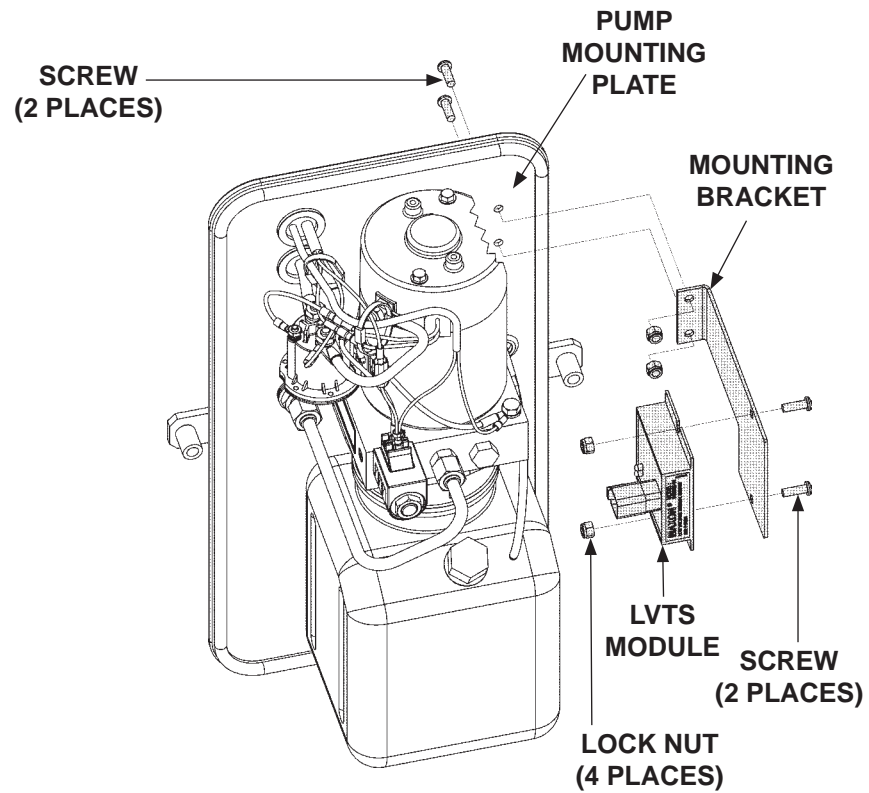
REMOVE PUMP COVER
FIG. 3-1

4. Measure and mark two holes on pump mounting plate (FIG. 3-2). Drill two holes in pump mounting plate to mount the LVTS bracket (FIG. 3-2).



DRILL HOLES IN PUMP MOUNTING PLATE
FIG. 3-2

5. Attach LVTS mounting bracket, (Kit item) to pump mounting plate (FIG. 4-1).

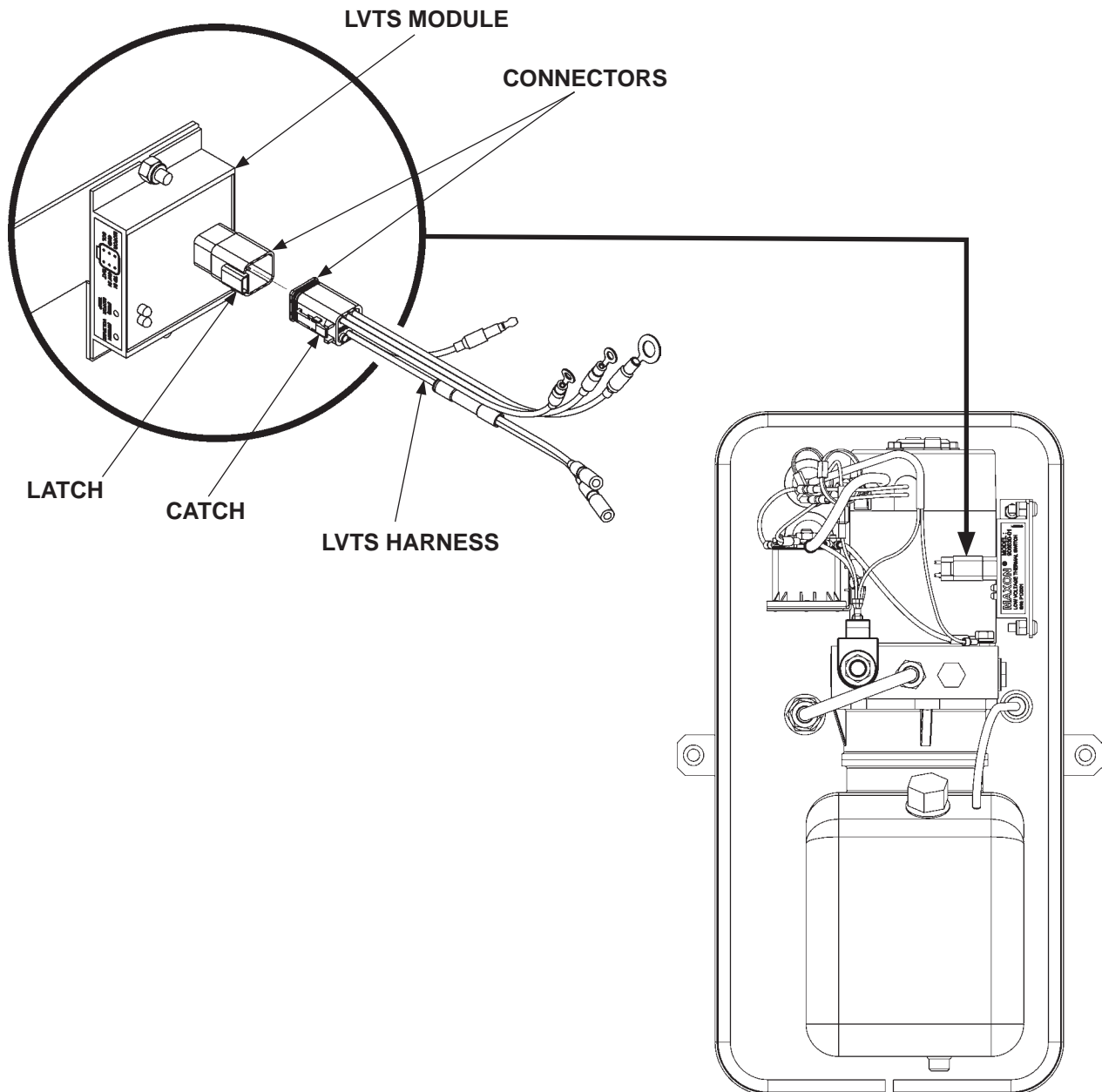


**ATTACH MOUNTING BRACKET AND LVTS
MODULE TO PUMP MOUNTING PLATE
FIG. 4-1**

6. Attach LVTS module (Kit item) to the LVTS mounting bracket (FIG. 4-1).

NOTE: MAXON recommends using dielectric grease on all electrical connections.

7. Connect LVTS harness (Kit item) to LVTS module (FIG. 5-1).



**CONNECTING LVTS HARNESS
TO LVTS MODULE
FIG. 5-1**

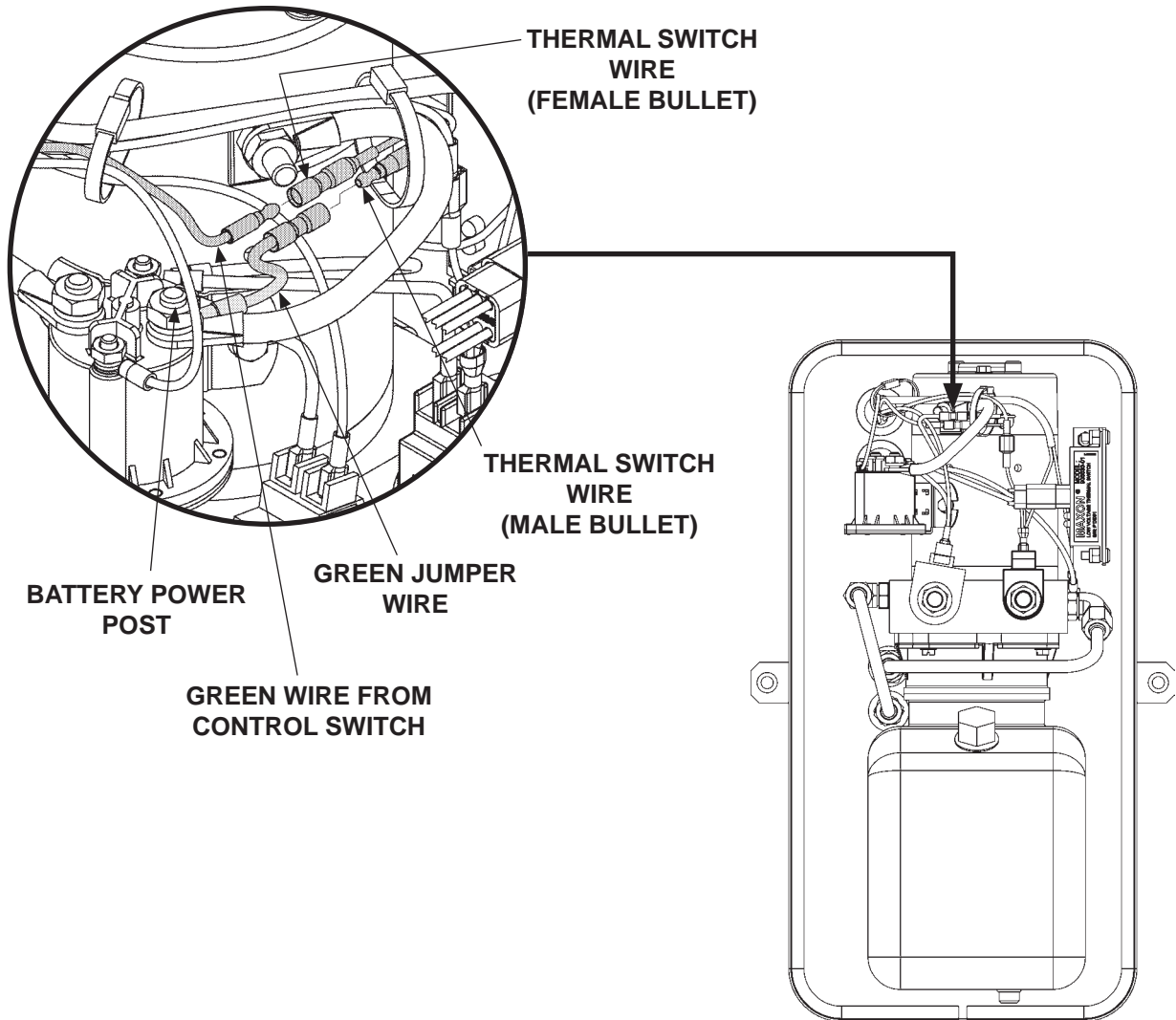
⚠ CAUTION

Route electrical wires clear of the pump cover and any sharp edges. Avoid making sharp bends in wiring. Connect wiring only as shown in the instructions that follow.

NOTE: For power down units, see the **Power Down** section, for gravity down units, see the **Gravity Down** section.

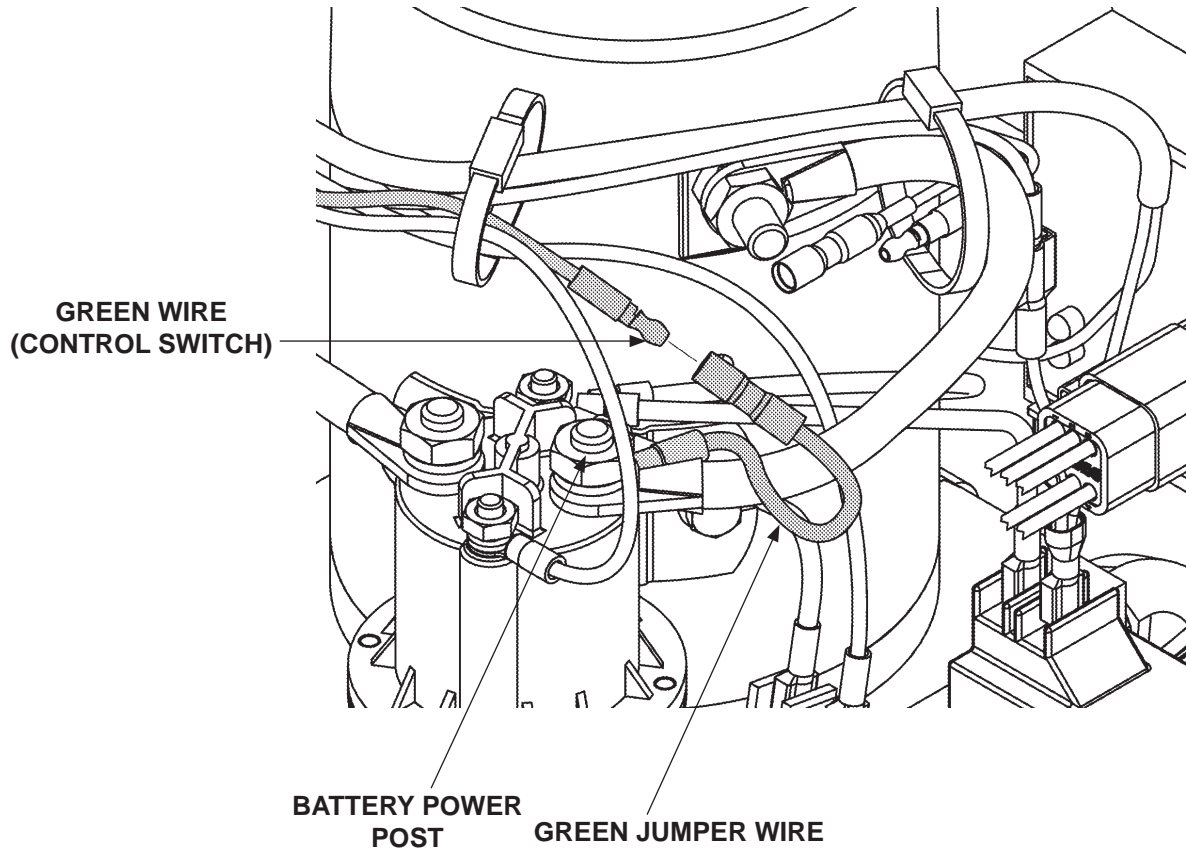
POWER DOWN

1. Disconnect the pump harness wiring as shown in **FIG. 6-1**.



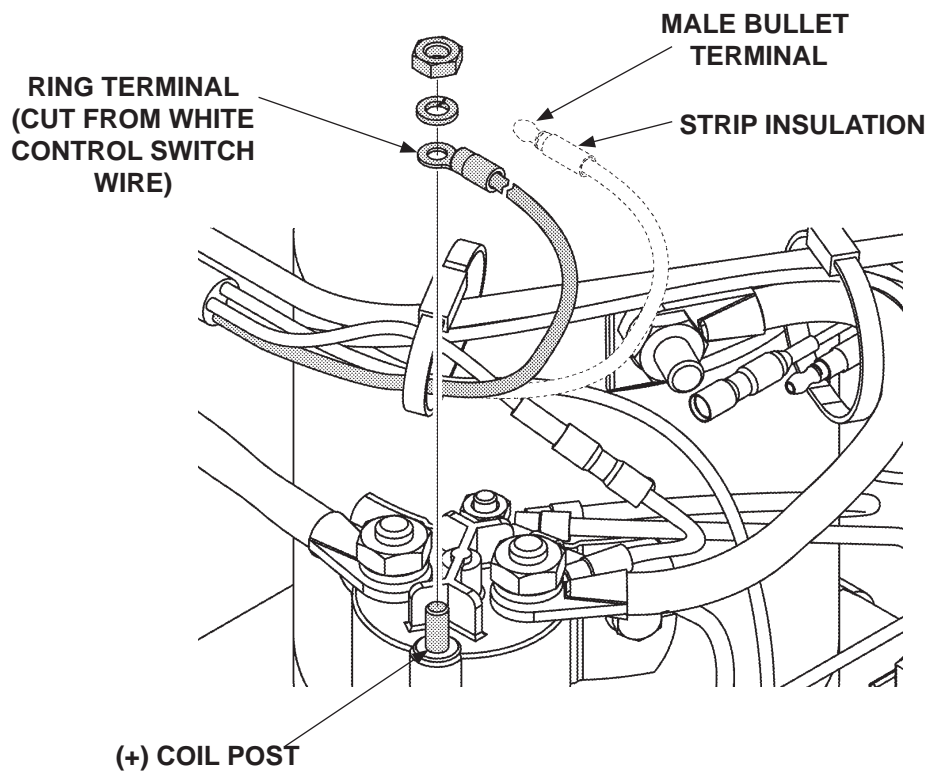
DISCONNECT PUMP HARNESS WIRING
FIG. 6-1

2. Connect control switch green wire to **GREEN** jumper wire (from battery power post) as shown in **FIG. 7-1**.



CONNECTING PUMP HARNESS WIRING
FIG. 7-1

3. Disconnect the **WHITE** (control switch) wire from the (+) coil post (**FIG. 8-1**).
4. Cut the ring terminal from the **WHITE** wire (**FIG. 8-1**). Discard ring terminal and stub.
5. Strip 1/4" insulation from the **WHITE** wire. Crimp the **WHITE** wire to the male bullet terminal (Kit item) (**FIG. 8-1**).



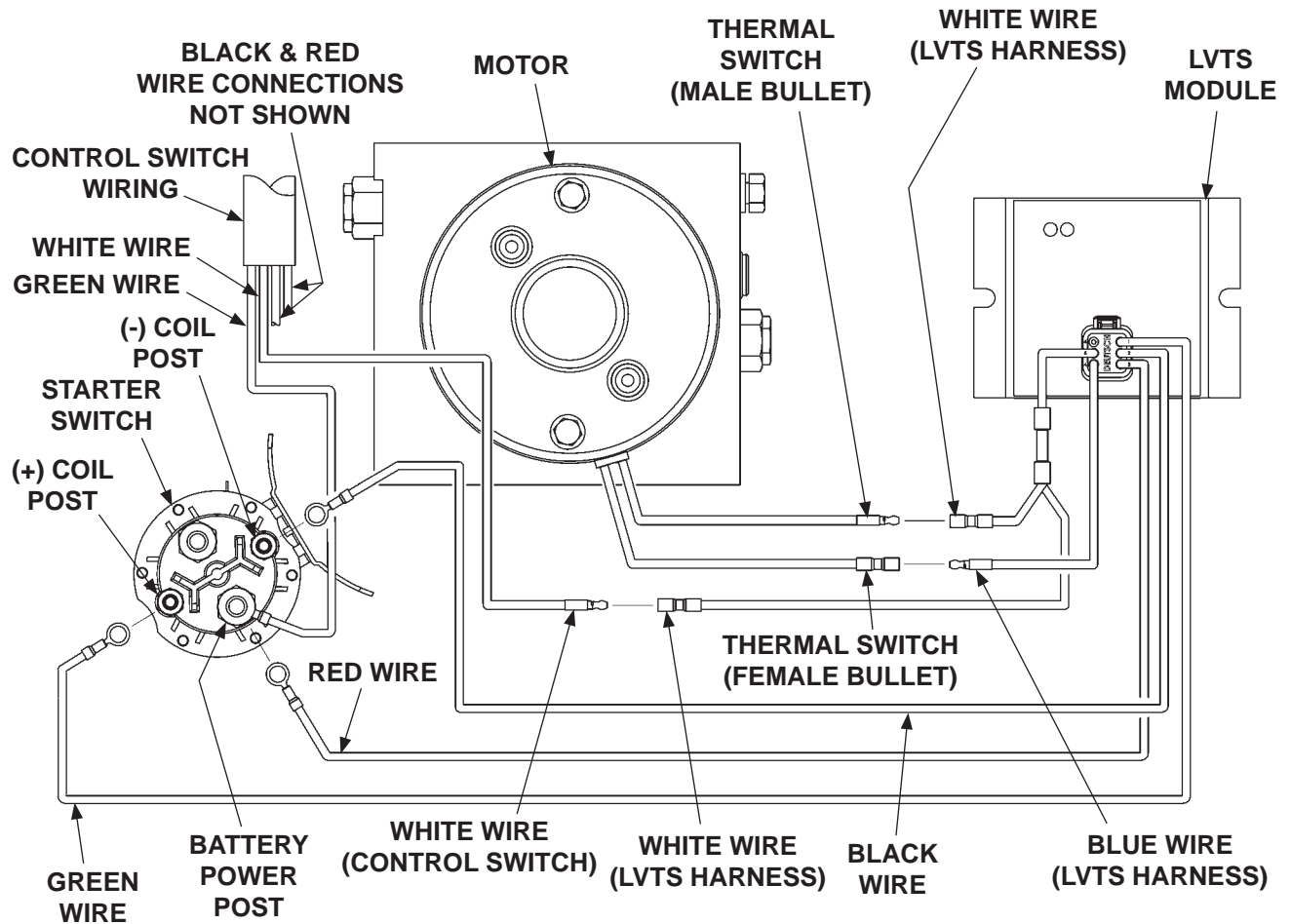
**DISCONNECTING WHITE WIRE RING TERMINAL
FIG. 8-1**

6. Connect one end of the LVTS **WHITE** wire to the thermal switch (male bullet) and the other end to the **WHITE** wire of the control switch (male bullet) (**FIG. 9-1**).
7. Connect one end of the LVTS **BLUE** wire to the thermal switch wire (female bullet (**FIG. 9-1**).

⚠ CAUTION

To prevent damage to metal case starter solenoid, hold bottom terminal nut securely when loosening and tightening top terminal nut. Do not over-tighten the terminal nuts. For the 5/16" load terminals, torque nuts 40 lbs.-in. Torque the nuts on #10-32 control terminals 15-20 lbs.-in.

8. Connect LVTS **BLACK**, **GREEN** and **RED** wires to starter switch as shown in **FIG. 9-1**.



**CONNECTING LVTS HARNESS
FIG. 9-1**

! CAUTION

For cover gasket to seal correctly, each LVTS decal must be attached clear of the gasket sealing surface.

NOTE: LVTS instruction decal must be attached to the inside of pump cover & must be readable with cover removed.

9. Attach LVTS instruction decal (**FIG. 10-1**) to inside wall of pump cover (**FIG. 10-2**).

MAXON[®]
LOW VOLTAGE / THERMAL SWITCH (LVTS) INSTRUCTIONS

The LVTS system protection device, located inside the pump box on this liftgate, is designed to stop the liftgate from operating when the temperature of the pump motor is too high or the battery voltage is too low for reliable operation. Please follow the instructions, below, if these conditions occur.

VOLTAGE LIGHT (GREEN)

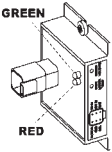
- ON**- Liftgate functions are normal.
- BLINKING RAPIDLY**-Liftgate will shut down shortly.
- BLINKING SLOWLY**-Liftgate has shut down.
- OFF**-No power or LVTS is malfunctioning.

MANUAL OVERRIDE
Rapidly toggle liftgate control switch to the up position and back to the center position 5 times to override shut down mode. This allows liftgate to operate for an additional cycle.

BATTERY VOLTAGE RESET
LVTS resets when battery is above 13 volts. Start vehicle engine to recharge battery.

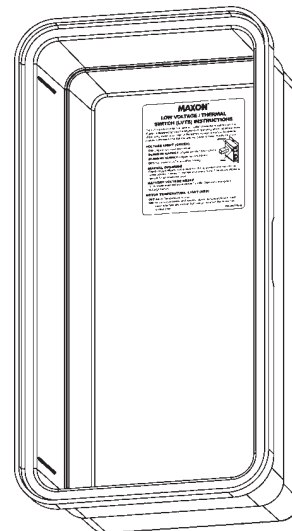
MOTOR TEMPERATURE LIGHT (RED)

- OFF**- Motor Temperature is okay.
- ON**- Motor is overheated and has shut down. Temperature switch will reset automatically and red light will go out when the motor has cooled down.



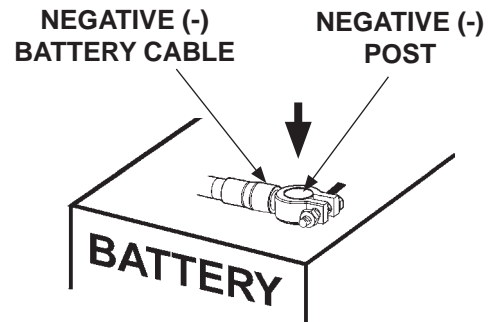
P/N 264776-02

**LVTS INSTRUCTION DECAL
FIG. 10-1**



**DECAL ATTACHED TO PUMP COVER
FIG. 10-2**

10. Reconnect power to Liftgate by re-connecting negative (-) cable to (-) post on the battery (**FIG. 11-1**).



RECONNECTING BATTERY
FIG. 11-1

11. Use the LVTS instruction decal (**FIG. 11-2**) to ensure LVTS and Liftgate function correctly.

MAXON[®]
LOW VOLTAGE / THERMAL
SWITCH (LVTS) INSTRUCTIONS

The LVTS system protection device, located inside the pump box on this liftgate, is designed to stop the liftgate from operating when the temperature of the pump motor is too high or the battery voltage is too low for reliable operation. Please follow the instructions, below, if these conditions occur.

VOLTAGE LIGHT (GREEN)

- ON**-Liftgate functions are normal.
- BLINKING RAPIDLY**-Liftgate will shut down shortly.
- BLINKING SLOWLY**-Liftgate has shut down.
- OFF**-No power or LVTS is malfunctioning.

MANUAL OVERRIDE
Rapidly toggle liftgate control switch to the up position and back to the center position 5 times to override shut down mode. This allows liftgate to operate for an additional cycle.

BATTERY VOLTAGE RESET
LVTS resets when battery is above 13 volts. Start vehicle engine to recharge battery.

MOTOR TEMPERATURE LIGHT (RED)

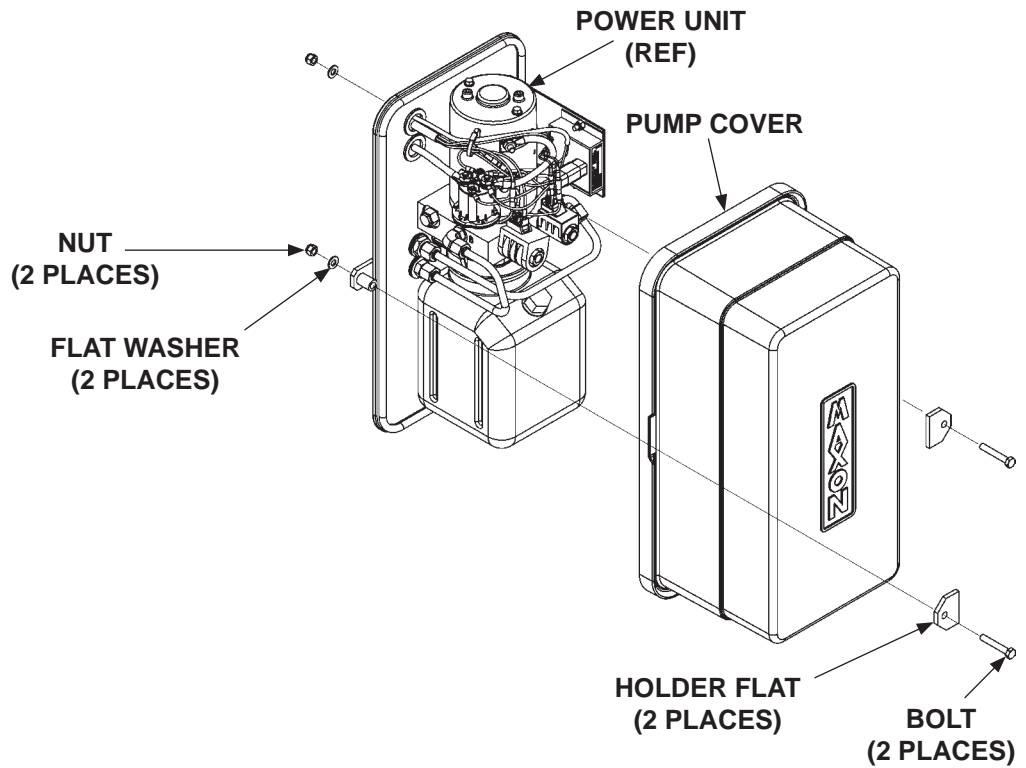
- OFF**-Motor Temperature is okay.
- ON**- Motor is overheated and has shut down. Temperature switch will reset automatically and red light will go out when the motor has cooled down.

The diagram shows a rectangular decal with two light indicators. The top indicator is labeled 'GREEN' and the bottom one is labeled 'RED'. The decal is shown in a perspective view, attached to a surface.

P/N 264776-02

LVTS INSTRUCTION DECAL
FIG. 11-2

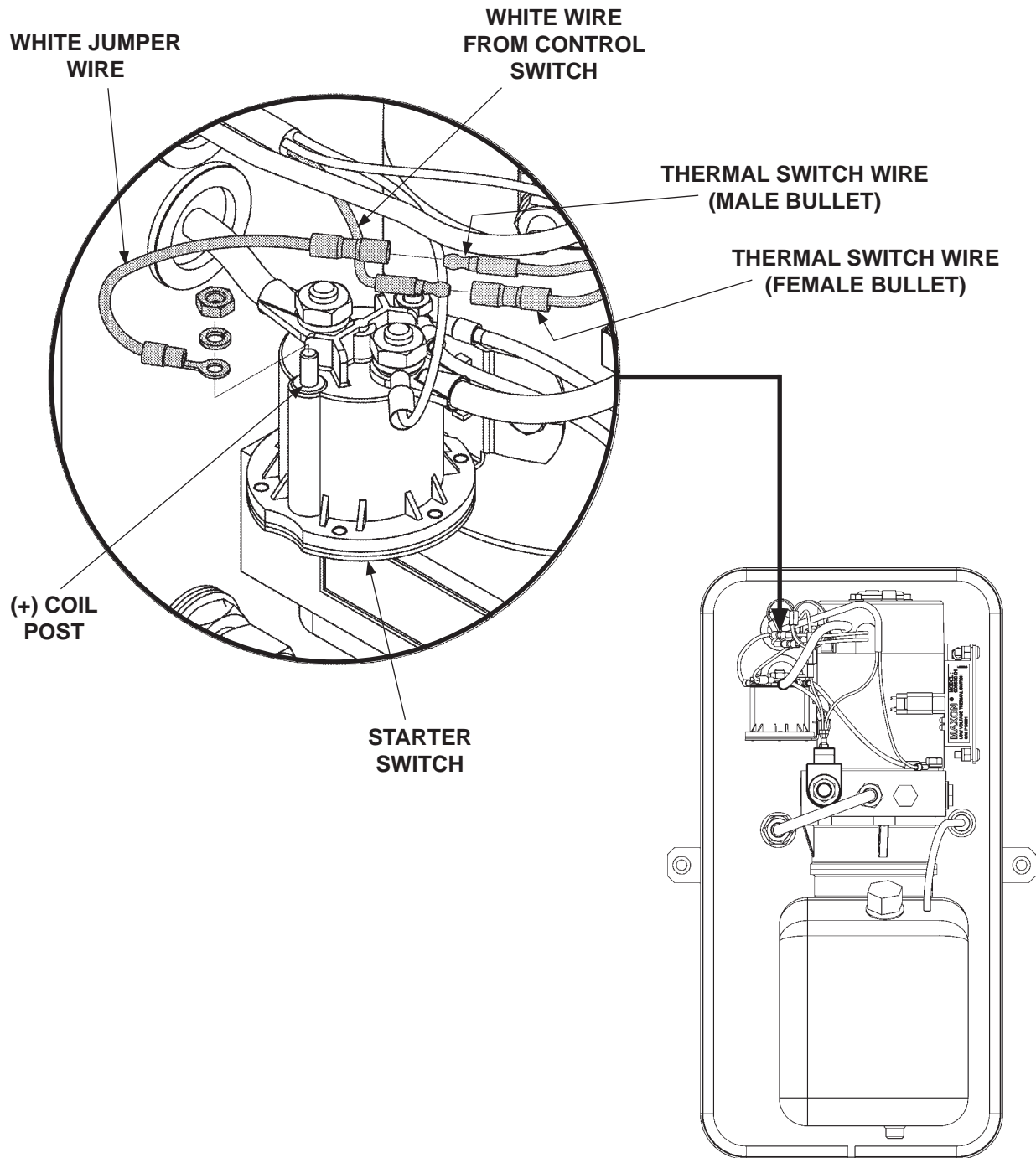
12. Re-attach pump cover when installation and LVTS check are completed (FIG. 12-1).



ATTACH PUMP COVER
FIG. 12-1

GRAVITY DOWN

1. Disconnect the pump harness wiring as shown in **FIG. 13-1**. Remove **GREEN** jumper wire from (+) coil post.



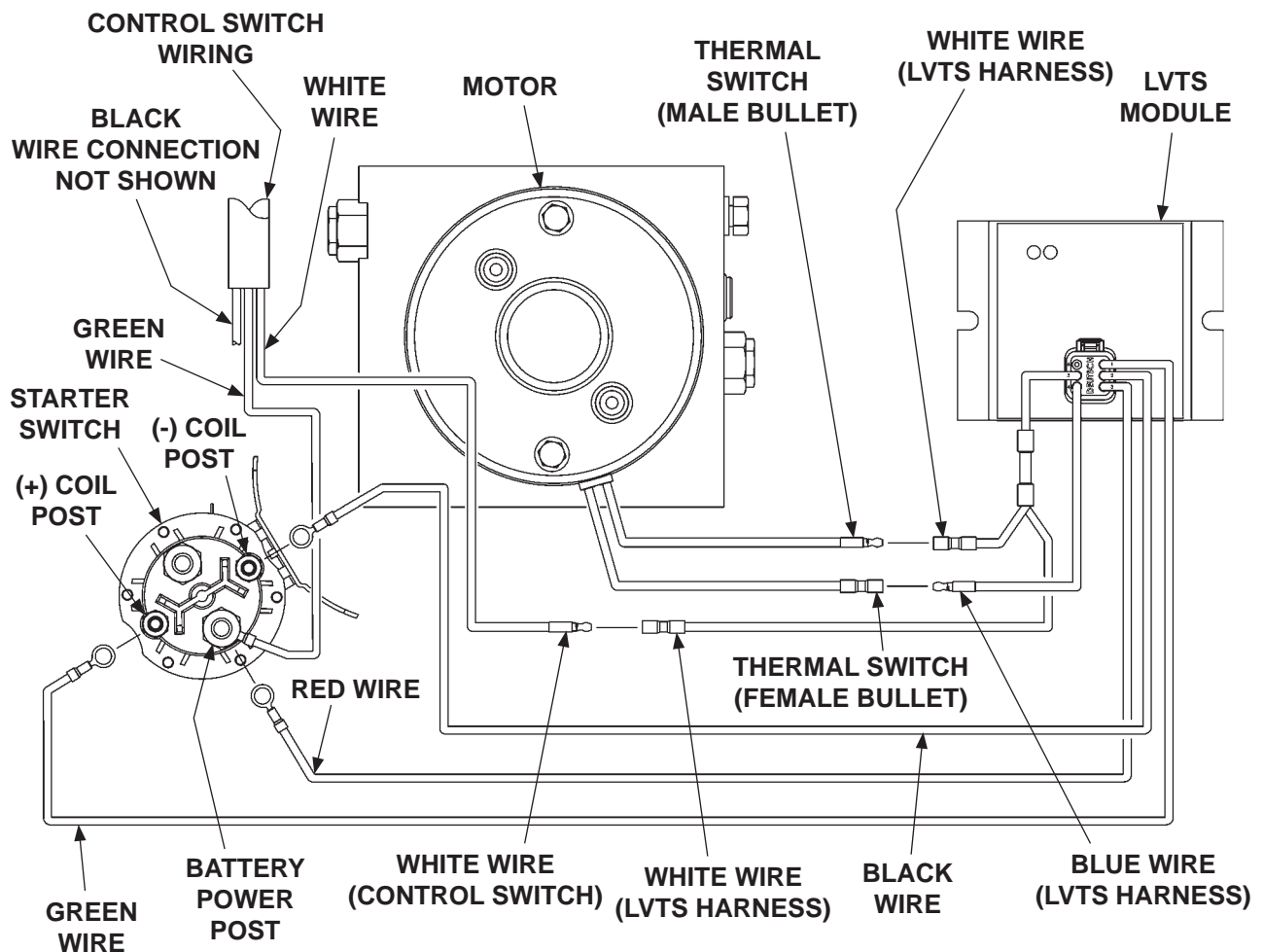
DISCONNECT PUMP HARNESS WIRING
FIG. 13-1

2. Connect LVTS **WHITE** wire to thermal switch wire (male bullet) **(FIG. 14-1)**.
3. Connect LVTS **BLUE** wire to thermal switch wire (female bullet) **(FIG. 14-1)**.
4. Connect control switch **WHITE** wire to LVTS **WHITE** wire **(FIG. 14-1)**.

⚠ CAUTION

To prevent damage to metal case starter solenoid, hold bottom terminal nut securely when loosening and tightening top terminal nut. Do not over-tighten the terminal nuts. For the 5/16" load terminals, torque nuts 40 lbs.-in. Torque the nuts on #10-32 control terminals 15-20 lbs.-in.

5. Connect LVTS **RED**, **GREEN** and **BLACK** wires to starter switch as shown in **FIG. 14-1**.



**CONNECTING LVTS HARNESS
FIG. 14-1**

⚠ CAUTION

For cover gasket to seal correctly, each LVTS decal must be attached clear of the gasket sealing surface.

NOTE: LVTS instruction decal must be attached to the inside of pump cover & must be readable with cover removed.

6. Attach LVTS instruction decal (**FIG. 15-1**) to inside wall of pump cover (**FIG. 15-2**).

MAXON[®]

LOW VOLTAGE / THERMAL SWITCH (LVTS) INSTRUCTIONS

The LVTS system protection device, located inside the pump box on this liftgate, is designed to stop the liftgate from operating when the temperature of the pump motor is too high or the battery voltage is too low for reliable operation. Please follow the instructions, below, if these conditions occur.

VOLTAGE LIGHT (GREEN)

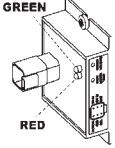
- ON**- Liftgate functions are normal.
- BLINKING RAPIDLY**-Liftgate will shut down shortly.
- BLINKING SLOWLY**-Liftgate has shut down.
- OFF**-No power or LVTS is malfunctioning.

MANUAL OVERRIDE
Rapidly toggle liftgate control switch to the up position and back to the center position 5 times to override shut down mode. This allows liftgate to operate for an additional cycle.

BATTERY VOLTAGE RESET
LVTS resets when battery is above 13 volts. Start vehicle engine to recharge battery.

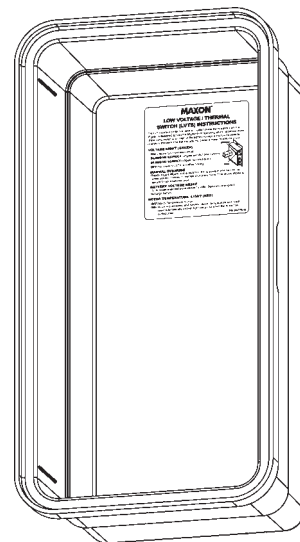
MOTOR TEMPERATURE LIGHT (RED)

- OFF**- Motor Temperature is okay.
- ON**- Motor is overheated and has shut down. Temperature switch will reset automatically and red light will go out when the motor has cooled down.



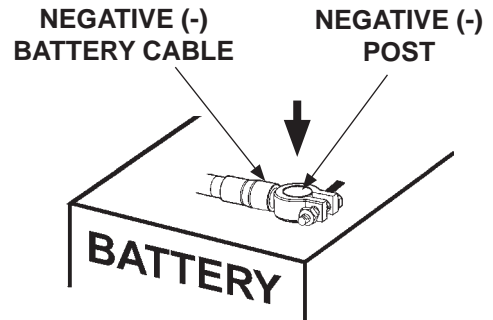
P/N 264776-02

**LVTS INSTRUCTION DECAL
FIG. 15-1**



**DECAL ATTACHED TO PUMP COVER
FIG. 15-2**

7. Reconnect power to Liftgate by reconnecting negative (-) cable to (-) post on the battery (**FIG. 16-1**).



RECONNECTING BATTERY
FIG. 16-1

8. Use the LVTS instruction decal (**FIG. 16-2**) to ensure LVTS and Liftgate function correctly.

MAXON[®]

LOW VOLTAGE / THERMAL SWITCH (LVTS) INSTRUCTIONS

The LVTS system protection device, located inside the pump box on this liftgate, is designed to stop the liftgate from operating when the temperature of the pump motor is too high or the battery voltage is too low for reliable operation. Please follow the instructions, below, if these conditions occur.

VOLTAGE LIGHT (GREEN)

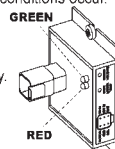
- ON**- Liftgate functions are normal.
- BLINKING RAPIDLY**-Liftgate will shut down shortly.
- BLINKING SLOWLY**-Liftgate has shut down.
- OFF**-No power or LVTS is malfunctioning.

MANUAL OVERRIDE
Rapidly toggle liftgate control switch to the up position and back to the center position 5 times to override shut down mode. This allows liftgate to operate for an additional cycle.

BATTERY VOLTAGE RESET
LVTS resets when battery is above 13 volts. Start vehicle engine to recharge battery.

MOTOR TEMPERATURE LIGHT (RED)

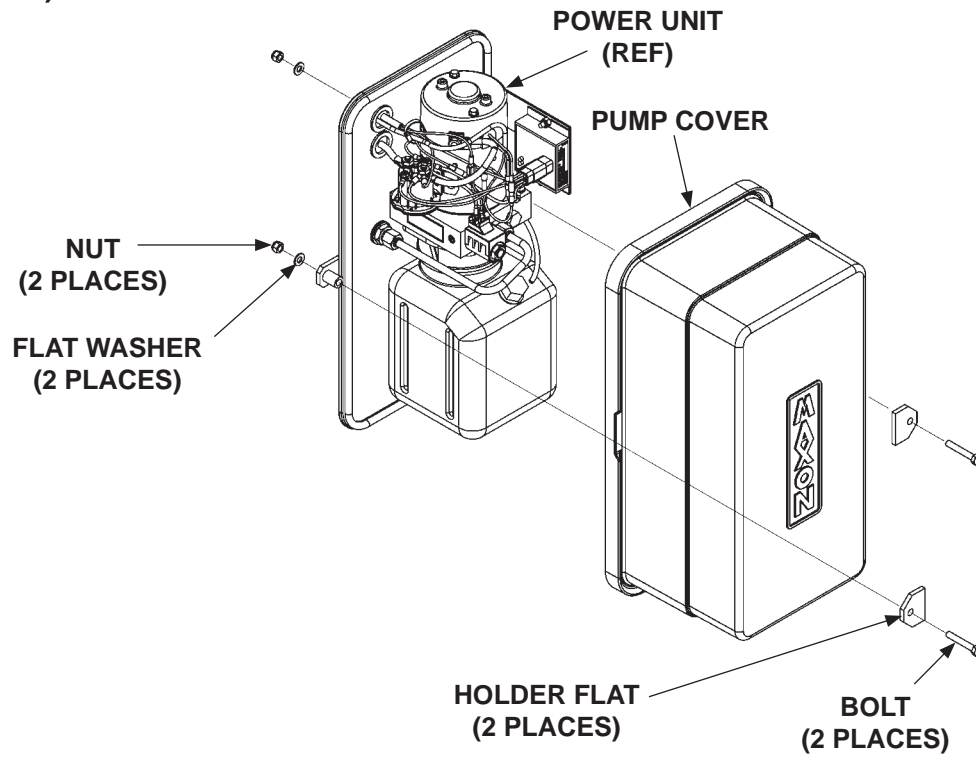
- OFF**- Motor Temperature is okay.
- ON**- Motor is overheated and has shut down. Temperature switch will reset automatically and red light will go out when the motor has cooled down.



P/N 264776-02

LVTS INSTRUCTION DECAL
FIG. 16-2

9. Re-attach pump cover when installation and LVTS check are completed (FIG. 17-1).



ATTACH PUMP COVER
FIG. 17-1