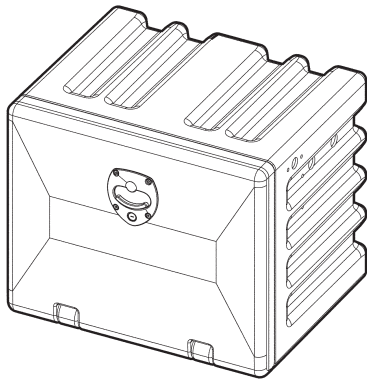


INSTRUCTION

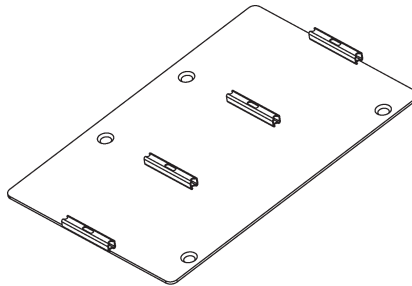
PLASTIC BATTERY BOX & CHARGER KIT

KIT P/N 285131-01

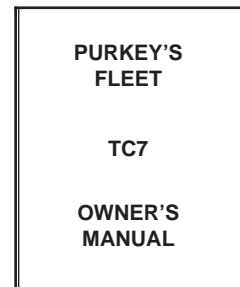
NOTE: Parts shown on sheets 1 and 2 are shipped as loose parts. Electrical components shown on sheet 3 are installed in the battery box at the factory.



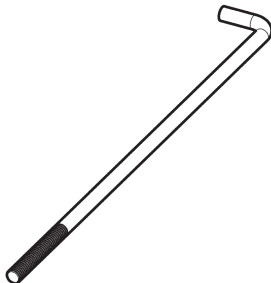
**PLASTIC
BATTERY BOX,
P/N 269236-01
QTY. 1**



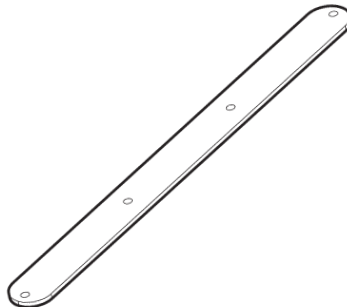
**BATTERY PLATE
WELDMENT,
P/N 285170-01G
QTY. 1**



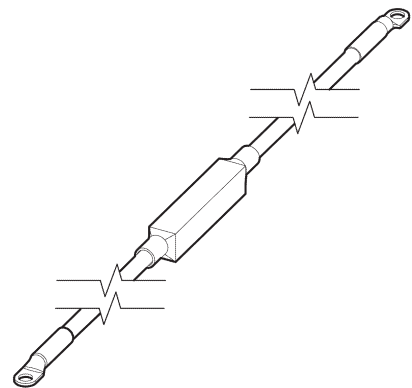
**TRAIL CHARGER TC7
INSTRUCTIONS
P/N 284424-502
QTY. 1**



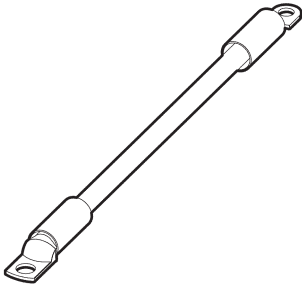
**BATTERY HOLD DOWN,
ROD, L-SHAPE
P/N 227722-01
QTY. 4**



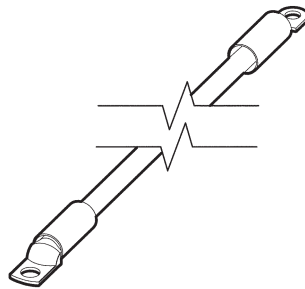
**BATTERY STRAP
P/N 285116-01G
QTY. 1**



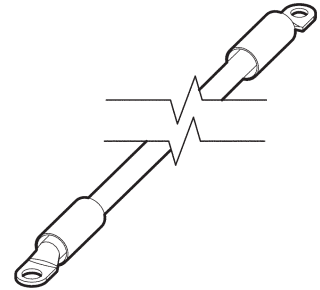
**CABLE ASSEMBLY,
RED, 200A, 3-1/2' LG
P/N 285487-02
QTY. 1**



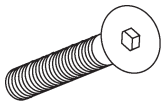
**CABLE ASSEMBLY,
2 GA, 10" LG
P/N 268226-01
QTY. 4**



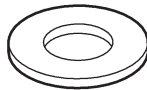
**CABLE ASSEMBLY,
2 GA, 74" LG
P/N 268226-06
QTY. 1**



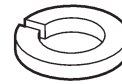
**CABLE ASSEMBLY,
2 GA, 16" LG
P/N 283594-03
QTY. 1**



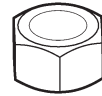
**FLAT HEAD SOCKET SCREW,
1/2"-13 X 2-1/2" LG.
P/N 900745-08
QTY. 4**



**FLAT WASHER,
9/16"
P/N 902013-14
QTY. 4**



**LOCK WASHER,
9/16"
P/N 902011-7
QTY. 4**



**HEX NUT,
1/2"-13
P/N 901011-9
QTY. 4**



**FLAT WASHER,
5/16"
P/N 902013-10
QTY. 4**



**LOCK WASHER,
5/16"
P/N 902011-3
QTY. 4**



**HEX NUT,
5/16"-18
P/N 901005
QTY. 4**

BATTERY BOX ELECTRICAL COMPONENTS AND MOUNTING HARDWARE

NOTE: Electrical components are mounted and connected at the factory. All that is required is battery installation and connection of power and ground cables.

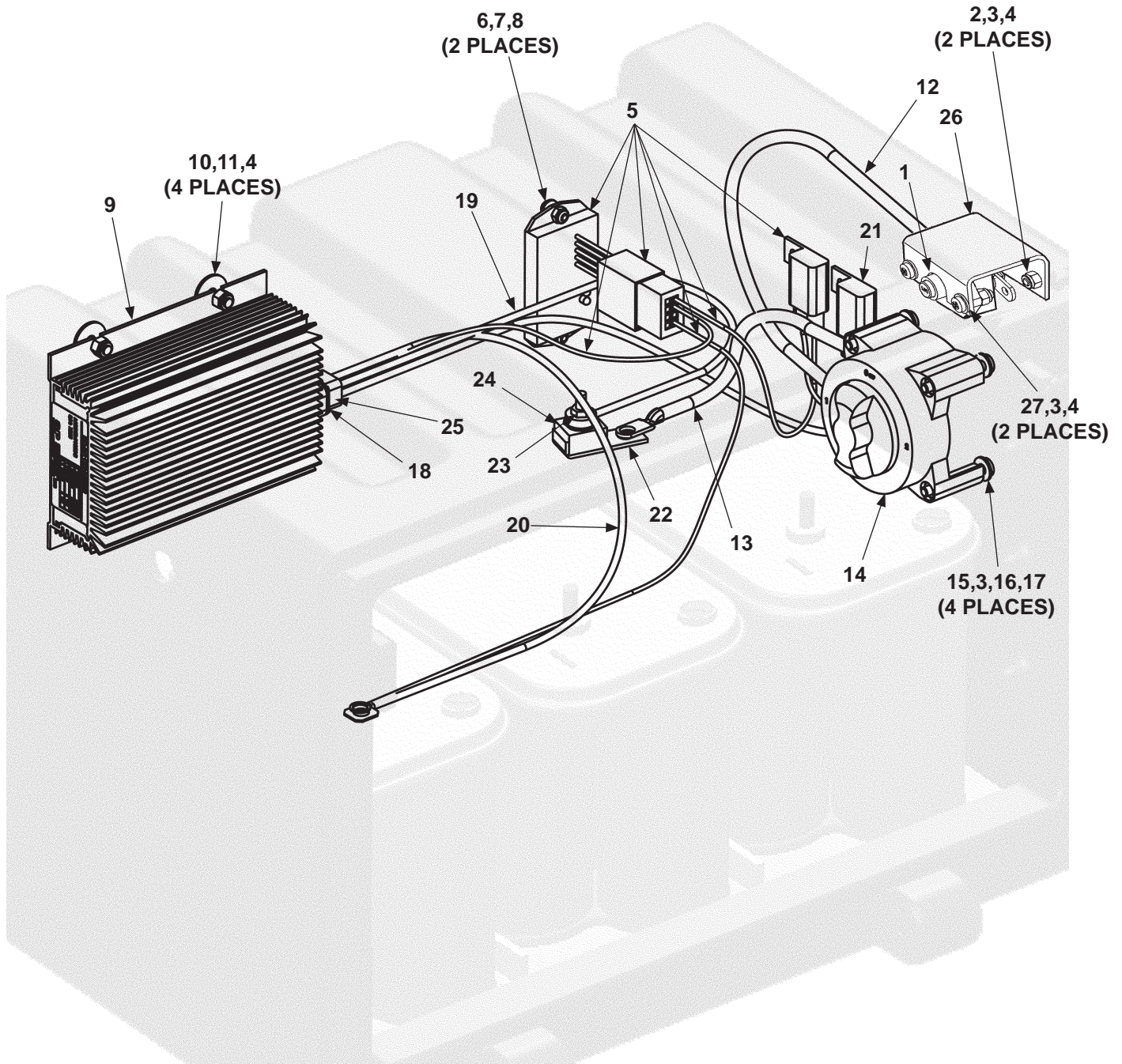


FIG. 3-1

ITEM #	PART #	DESCRIPTION	QTY
1	221736	CIRCUIT BREAKER	1
2	900002-1	PAN HEAD SCREW, 1/4"-20 X 3/4" LG.	2
3	902013-09	FLAT WASHER, 1/4"	8
4	901000	LOCK NUT, NYLON, 1/4"-20	8
5	284552-01	TRAIL CHARGER EXTENDER MODULE WITH HARNESS	1
6	900007-1	PAN HEAD SCREW, #10-24 X 5/8" LG.	2
7	902013-07	FLAT WASHER, #10	2
8	901003	LOCK NUT, #10-24	2
9	906484-01	DC-DC CONVERTER	1
10	900004-2	CAP SCREW, 1/4"-20 X 3/4" LG, GR8	4
11	903409-06	FENDER WASHER, 1/4" I.D. X 1" O.D.	4
12	906606-01	SWITCH TO CIRCUIT BREAKER WIRE, 4 GA, 26" LG.	1
13	906607-01	SWITCH TO BATTERY POSITIVE WIRE, 4 GA, 26" LG.	1
14	906608-01	MASTER DISCONNECT SWITCH , 1 & 2 POSITION	1
15	900002-8	PAN HEAD SCREW, 1/4"-20 X 2" LG.	4
16	902011-2	LOCK WASHER, 1/4"	4
17	901011-1	HEX NUT, 1/4-20	4
18	906873-01	SECONDARY WEDGE LOCK	1
19	906874-01	TRAIL CHARGER OUT WIRE, 10 GA, 30" LG.	1
20	906875-01	TRAIL CHARGER GROUND WIRE, 10 GA, 30" LG.	1
21	906876-101	TRAIL CHARGER JUNCTION STUD (10 GA, 24" LG WIRE)	1
22	906878-01	SINGLE FUSE CUBE BRACKET	1
23	906879-01	FUSE CUBE NUT	1
24	906880-01	FUSE CUBE, 30 AMP	1
25	907015-01	4 PIN CONNECTOR	1
26	287342-01	MANUAL RESET BRACKET	1
27	900002-4	PAN HEAD SCREW, 1/4"-20 X 1" LG.	2

NOTE: Use these instructions along with Liftgate Installation Manual to do a complete Liftgate installation. The following instructions only cover the work and parts for installing the **plastic battery box and charger kit**.

1. Bolt battery plate (kit item) to battery box and mounting frame as shown in **FIG. 5-1**.
2. Insert 4 L-shape rods (kit items) in the anchors on the battery plate (kit item) in **FIG. 5-1**.

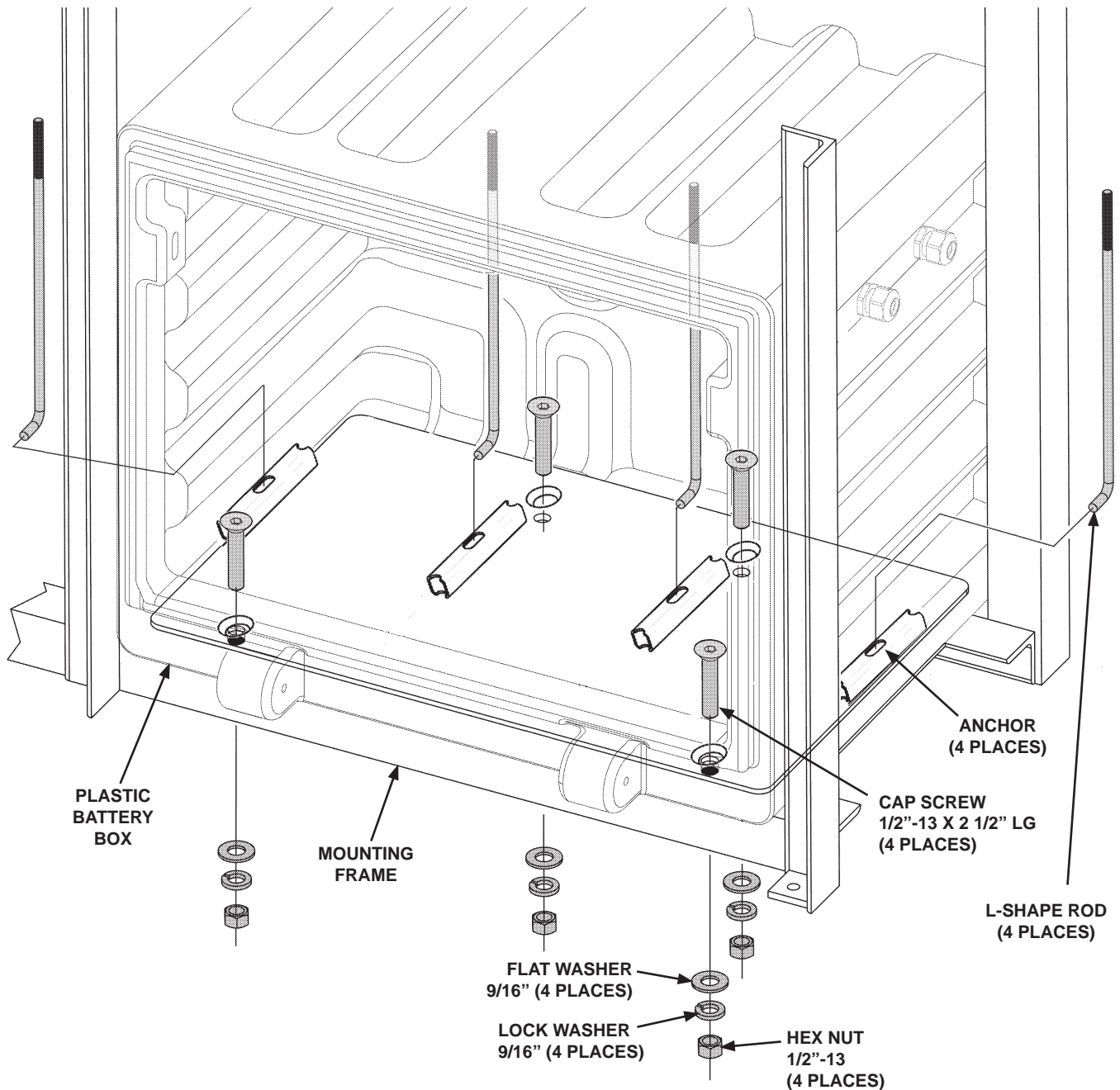


FIG. 5-1

3. Place three batteries (not supplied) on battery plate (FIG. 6-1).
4. Place battery strap (kit item) on the three batteries (FIG. 6-1) and L-shape rods. Secure batteries to battery plate with strap, L-shape rods, washers and hex nuts (FIG. 6-1).

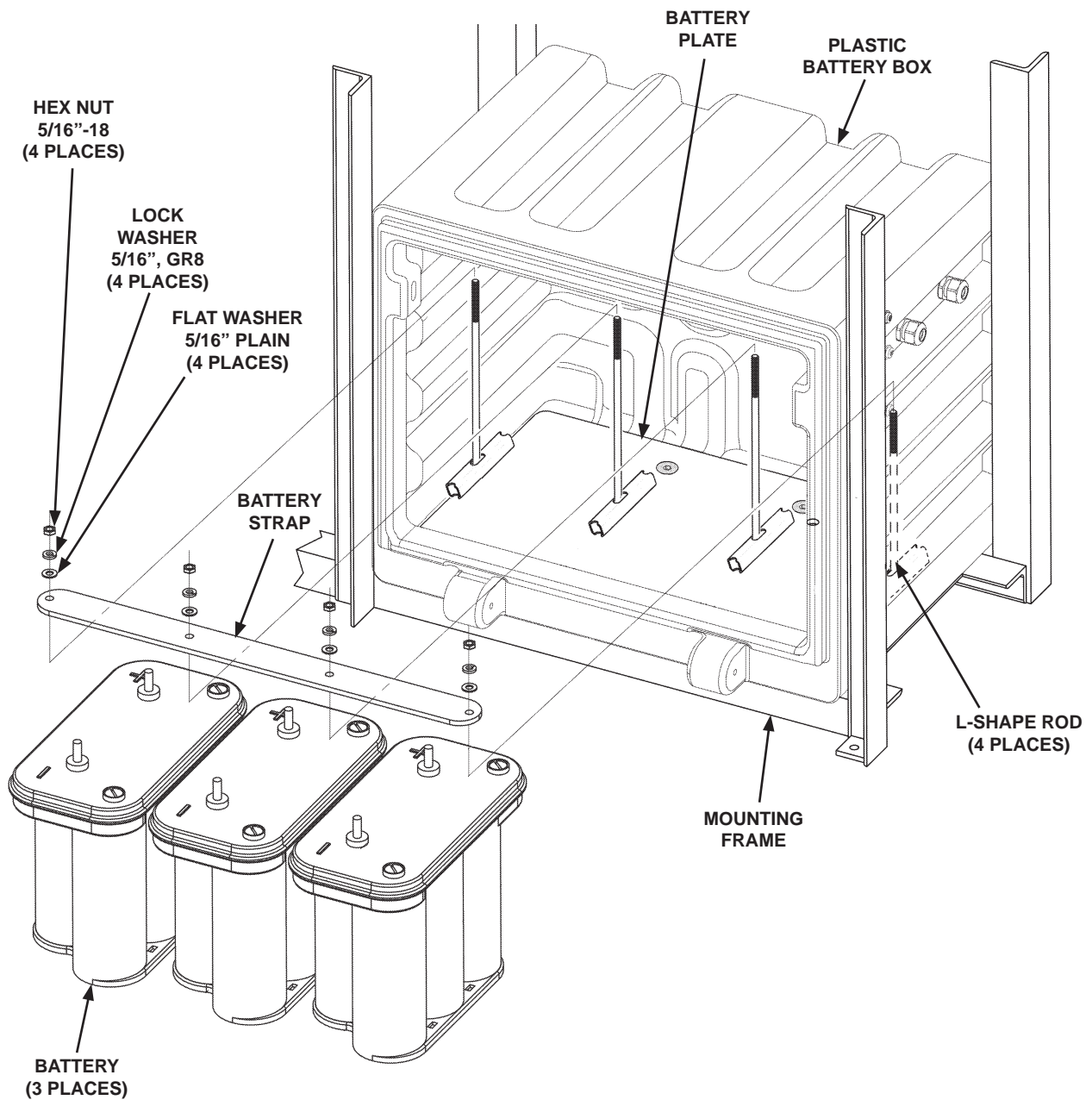


FIG. 6-1

⚠ WARNING

To prevent injury and equipment damage, make sure (-) battery cable is disconnected and master disconnect switch is in the OFF position before connecting vehicle charge lines or power cables.

5. Connect the 74" long, 2 gauge cable (kit item) to ground post on pump box. (Refer to Installation Manual.) Next, run ground cable to battery box. Then, insert the free end of 74" long cable through cable grip at the LH side of battery box. Position free end of ground cable. Then, position free end of cable near negative (-) terminal of battery-1, but do not connect **(FIG. 8-1)**.
6. Insert the free end of 40" long red cable (from nose box) through cable grip at the RH side of battery box. Attach free end of red cable to circuit breaker **(FIG. 8-1)**. Then, insert the free end of 40" long black cable (from nose box) through cable grip at the RH side of battery box. Attach free end of black to negative (-) terminal on battery-3 **(FIG. 8-1)**.
7. Connect the 30" long, 10 gauge trail charger ground wire (kit item) from 4-pin connector to negative (-) terminal on battery-1 **(FIG. 8-1)**.
8. Connect the trail charger extender module ground wire to negative (-) terminal on battery-1 **(FIG. 8-1)**.
9. Attach fuse cube to fuse cube bracket **(FIG. 8-1)**. Connect trail charger out wire from 4-pin connector to fuse cube and secure with fuse cube nut **(FIG. 8-1)**. Connect fuse cube bracket to positive (+) terminal on battery-3 **(FIG. 8-1)**. Then, connect switch to battery positive (+) wire from charging system switch to positive (+) terminal on battery-3 **(FIG. 8-1)**.
10. Connect the three batteries in parallel with 10" long, 2 gauge cable assemblies **(FIG. 8-1)**. Connect positive (+) terminals first, then connect negative (-) terminals.
11. Attach 200 amp fused cable to master disconnect switch on pump box **(Installation Manual)** and positive (+) terminal on battery-1 **(FIG. 8-1)**.
12. Check that cables and wires are connected and secured to correct terminals **(FIG. 8-1)**. Then, connect ground cable to negative (-) terminal of battery-1.

NOTE: For more information about electrical connections between components and batteries, refer to wiring diagram in **FIG. 9-1**.

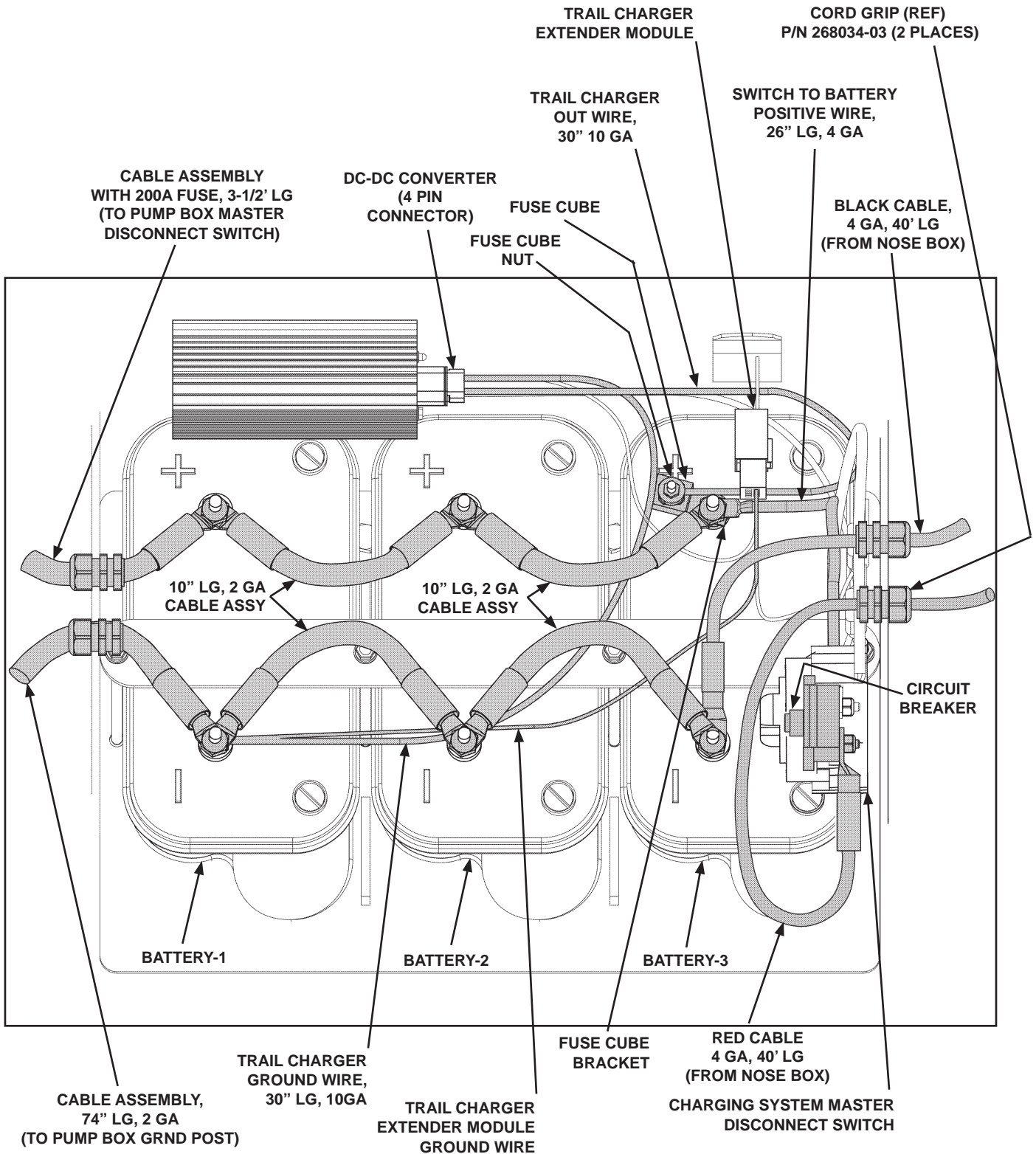


FIG. 8-1

NOTE: For troubleshooting, see Trail Charger TC7 Instructions (P/N 284424-502).

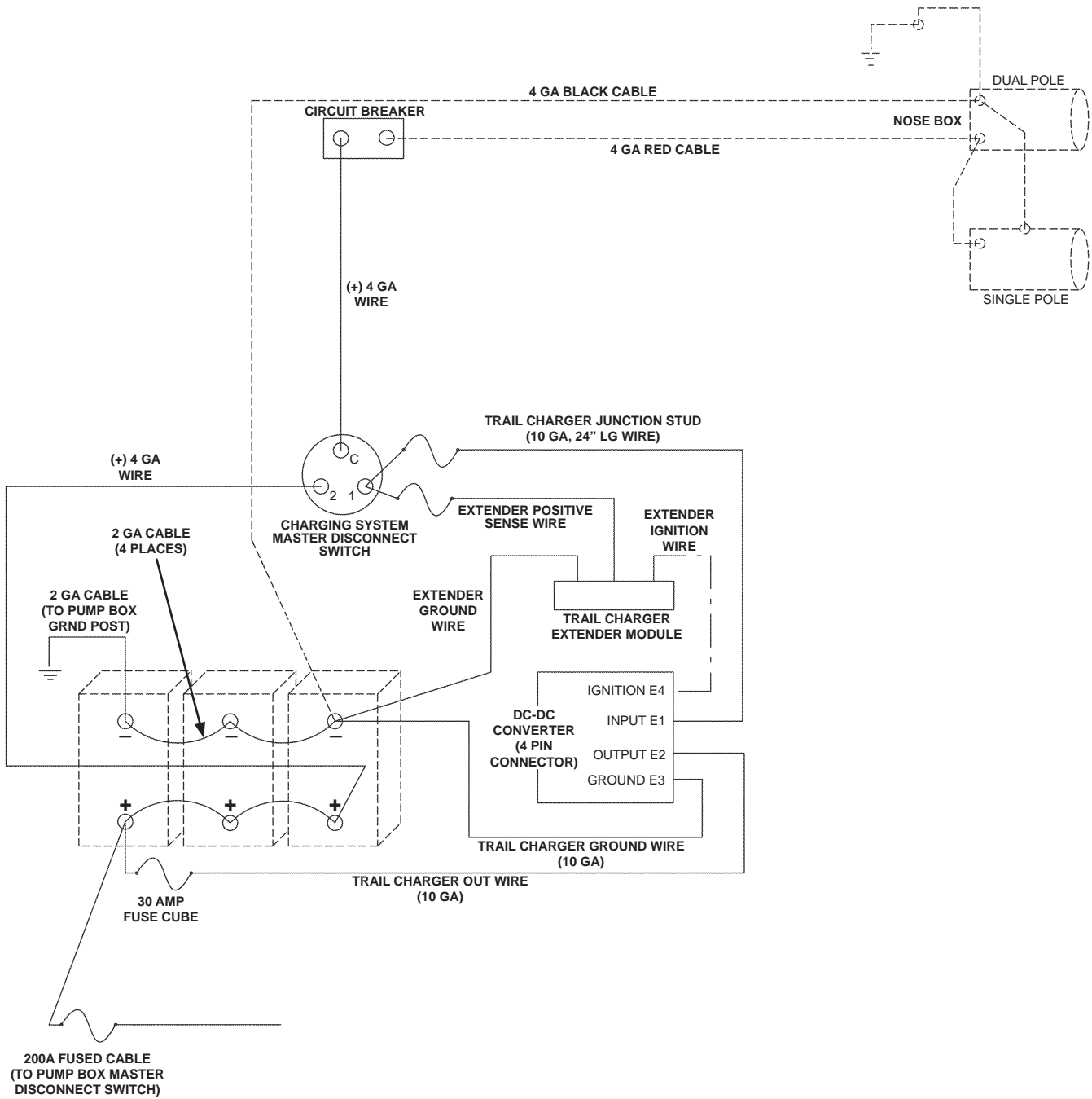


FIG. 9-1