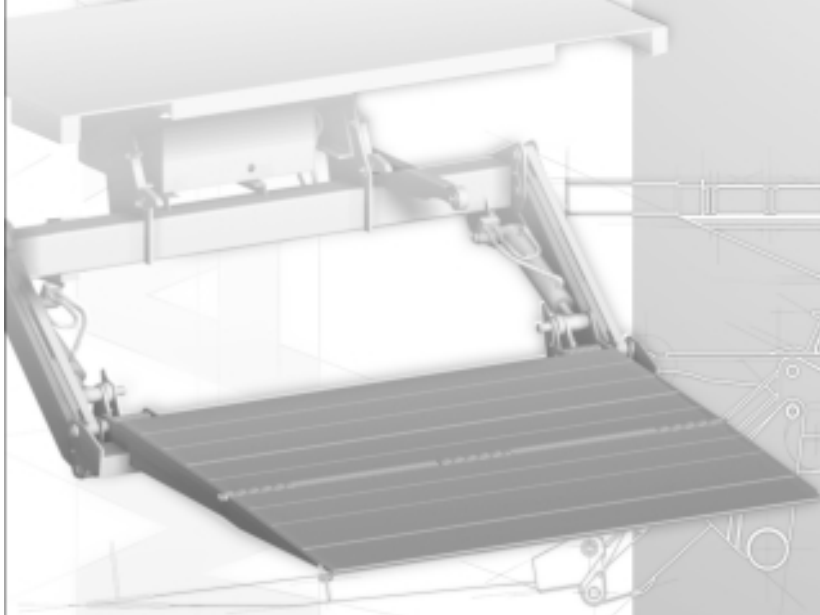


**MAXON®**

M-97-37  
REV. A  
JULY 2002

OPERATION   
**MANUAL**

**80 SERIES**



© MAXON Lift Corp. 2002

**KEEP THIS MANUAL IN CAB OF VEHICLE**

For a free copy of other manuals that pertain to this model Liftgate, please visit our website at [www.maxonlift.com](http://www.maxonlift.com) or call **Customer Service at (800) 227-4116**.



# TABLE OF CONTENTS

<b>WARNINGS</b> .....	<b>Page 4</b>
LIFTGATE TERMINOLOGY .....	Page 5
DECALS .....	Page 6
FORKLIFT ADVISORY .....	Page 8
USING CART STOPS (IF EQUIPPED) .....	Page 9
POSITIONING LOAD .....	Page 10
OPERATION .....	Page 11

## **WARNING**

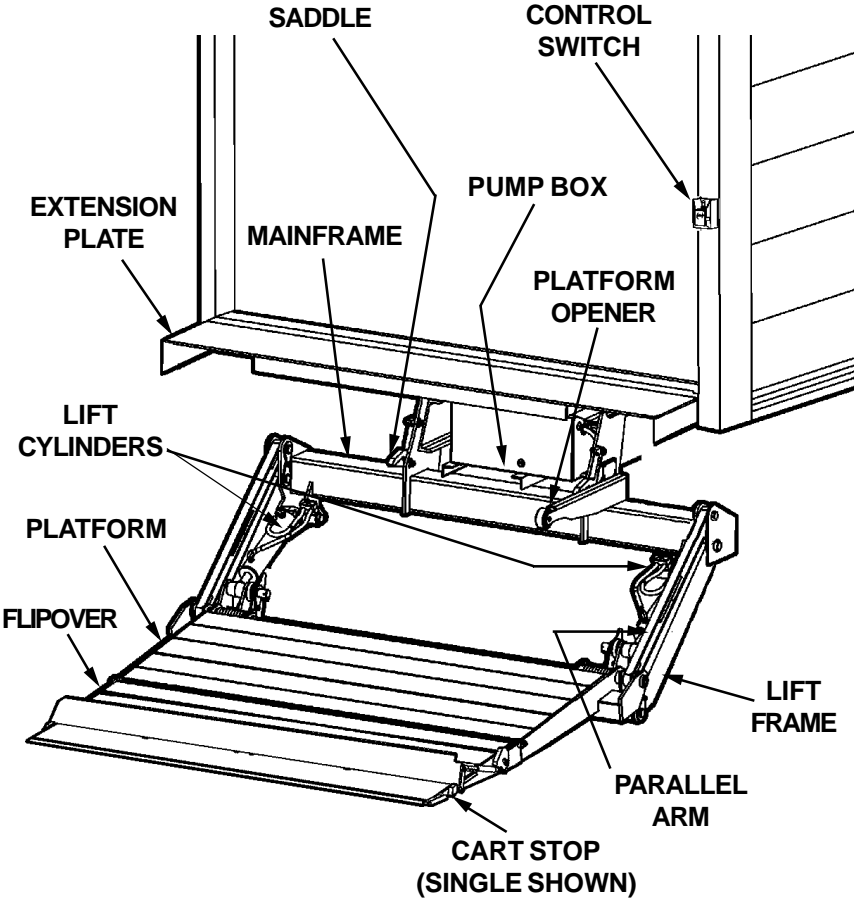
1. Incorrect operation of this Liftgate can result in serious personal injury. Comply with WARNINGS and Liftgate operating instructions in this manual. Do not allow untrained persons to operate the Liftgate. If you need to replace an **Operation Manual**, additional copies are available from:

**MAXON Lift Corp.**  
**11921 Slauson Ave**  
**Santa Fe Springs, CA 90670**  
**(800) 227-4116**

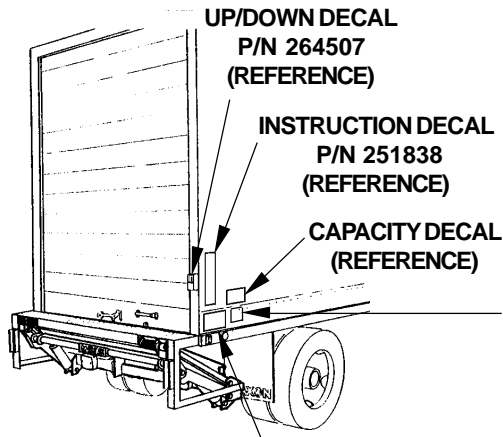
**NOTE:** For latest version Manuals (and replacements), download Manuals from Maxon's website at **[www.maxonlift.com](http://www.maxonlift.com)**.

2. Do not exceed rated load capacity of the Liftgates which is:  
**3000 lbs. for 80-3 and 4000 lbs. for 80-4.**
3. Do not allow any part of your body to be placed under, within, or around any portion of the moving Liftgate or its mechanisms, or in a position that would trap them between the platform and the floor of truck body (or between platform and the ground) when Liftgate is operated.
4. Consider the safety and location of bystanders and location of nearby objects when operating the Liftgate. Stand to one side of platform while operating the Liftgate. Be certain that the area the Liftgate will move through during operation is clear of all obstacles.
5. Comply with all attached instruction decals and warning decals.
6. Keep decals clean and legible. If decals are defaced or missing have them replaced. **Get free replacement decals from Maxon.**
7. **Never drive a forklift on the Liftgate Platform.**
8. Do not move vehicle unless Liftgate is correctly stowed.
9. **Correctly stow platform when not in use. Extended platforms could create a hazard for people and vehicles passing by.**
10. A correctly installed Liftgate will operate smoothly and reasonably quiet. The only noticeable noise, during Liftgate operation, is from the Pump Unit while the Platform is raised or lowered. Listen for scraping, grating and binding noises and have the problem corrected before continuing to operate the Liftgate.
11. Above all, **USE GOOD COMMON SENSE** when operating this Liftgate.

# LIFTGATE TERMINOLOGY



## DECALS



**CAUTION DECAL**  
P/N 263998

**WARNING**

**READ THIS INFORMATION CAREFULLY**

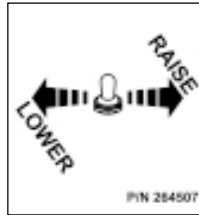
- Improper operation of this Lift can result in serious personal injury. Do not operate unless you have been properly instructed and have read, and are familiar with the operating instructions. If you do not have a copy of the instructions, please obtain them from your employer, distributor, or lessor, before you attempt to operate Lift.
- Be certain that the vehicle is properly and securely braked before using the Lift.
- Always inspect this Lift for maintenance or damage before using it. If there are signs of improper maintenance, damage to vital parts, or slippery Platform surface, do not use the Lift until these problems have been corrected.
- Do not overload the Lift. The load limit is based on evenly distributed cargo over the entire Platform surface. If you are using a pallet jack, be sure it can be maneuvered safely. Do not operate a forklift on the Platform or travel with the platform in an open position at any time.
- Load should be placed in a stable position close to the edge of the Platform nearest the truck. The heaviest portion of the load should never be placed beyond the center of the Platform away from the truck.
- Never allow yourself, a helper, or bystander to stand in a position where a falling load could land on either of you. Also do not allow any part of yours or your helper's body to be placed under, within, or around any portion of the moving liftgate, or its mechanisms, or in a position that would trap them between the platform and the ground or truck when the liftgate is operated.
- If a helper is riding the Platform with you, make sure you are both doing so safely and that you are not in danger of coming in contact with any moving or potentially moving obstacles. USE GOOD COMMON SENSE. If load appears to be unsafe, do not lift or lower it.

For a free copy of other manuals that pertain to this model Liftgate, please visit our website at [www.maxonlift.com](http://www.maxonlift.com) or call **Customer Service at (800) 227- 4116**.

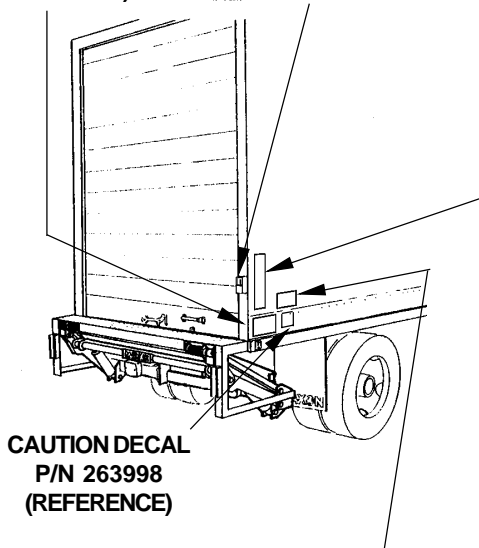
MAXON LIFT CORP.PART NO. 264081

**WARNING DECAL P/N**  
**264081**

**WARNING DECAL**  
P/N 264081  
(REFERENCE)



**UP/DOWN DECAL**  
P/N 264507



**CAUTION DECAL**  
P/N 263998  
(REFERENCE)

THE MAXIMUM CAPACITY  
OF THIS LIFT IS  
  
POUNDS  
  
WHEN THE LOAD IS  
CENTERED ON PLATFORM  
**CAPACITY DECAL (SEE TABLE 1)**  
P/N 264081

CAPACITY DECALS	
CAPACITY	PART NO.
2500 LBS.	220382
3000 LBS.	220388
4000 LBS.	220389
5000 LBS.	220390

**TABLE 1**

## OPERATING INSTRUCTIONS

GPT & 80 SERIES LIFTGATES

- 1 UNHOOK SAFETY CHAIN (SEE CAUTION DECAL).**
- 2 PUSH CONTROL SWITCH. (MUST TOUCH THE GROUND)**
- 3 OPEN PLATFORM.**
- 4 OPEN FLIPOVER.**
- 5 USE SWITCH TO RAISE / LOWER.**
- 6 TO TUK LIFTGATE AWAY, DO THE REVERSE OF STEPS 4, 3, 2 & 1.**

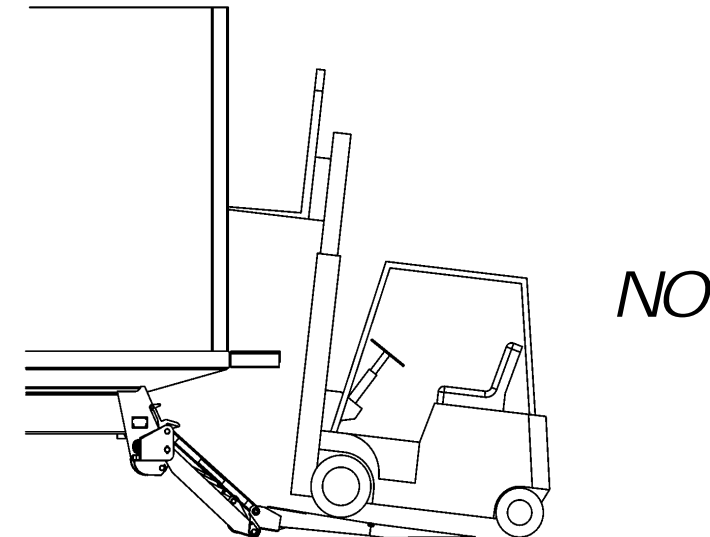
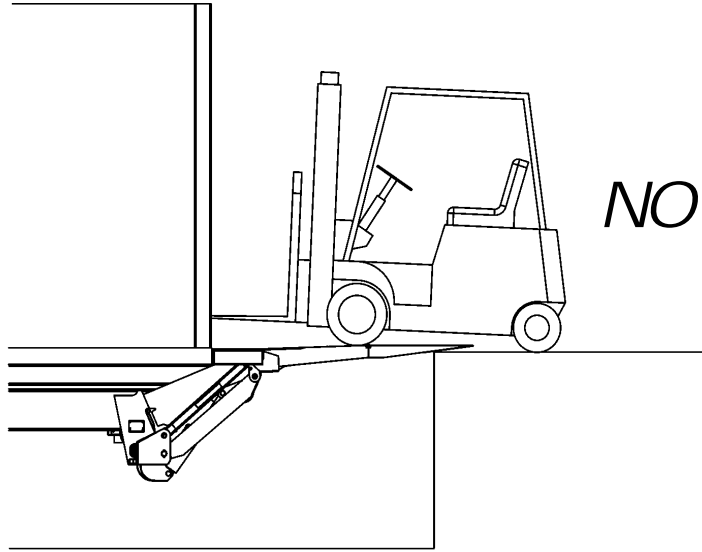
DECAL, P/N 251838

**INSTRUCTION DECAL**  
P/N 251838

## FORKLIFT ADVISORY

**⚠ WARNING**

**Keep Forklift OFF of Platform.**





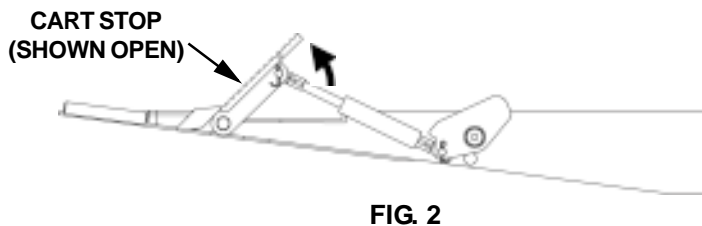
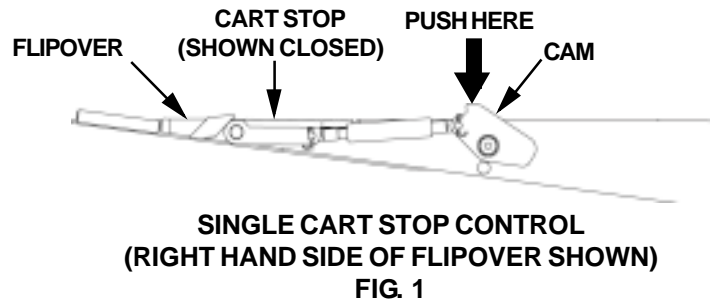
## USING CART STOPS (IF EQUIPPED)

### ⚠ CAUTION

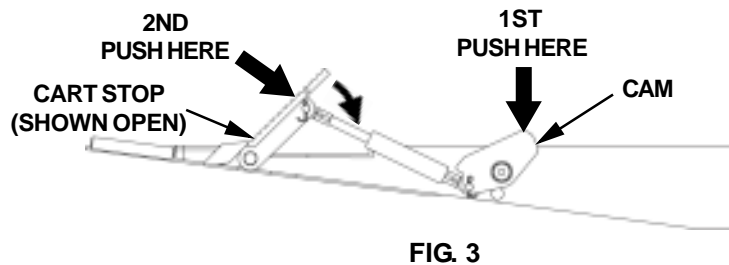
To prevent injuries caused by tripping and falling, make sure Cart Stops are closed before walking on and off outboard end of Platform.

**NOTE:** Some Liftgates are equipped with a Single Cart Stop or Dual Cart Stops. Cart Stops prevent loaded carts from rolling off the outboard end of Platform. The Single Cart Stop is 1 section (about the same width as Platform) and operates with one set of controls. Dual Cart Stops are 2 sections (together about the same width as Platform) independently operated with two sets of controls (1 set per section). The following procedure shows how to operate a Single Cart Stop. Since Dual Cart Stop controls (Left and Right Hand sides of Platform) look and operate the same as the Single Cart Stop Controls, use this procedure for operating Single or Dual Cart Stops.

1. To open Cart Stop, push down on cam as shown in **FIG. 1**. Cart Stop opens as shown in **FIG. 2**.



2. To close Cart Stop, first push down on cam and then push down on Cart Stop (**FIG. 3**). A closed Cart Stop is shown in **FIG. 1**.

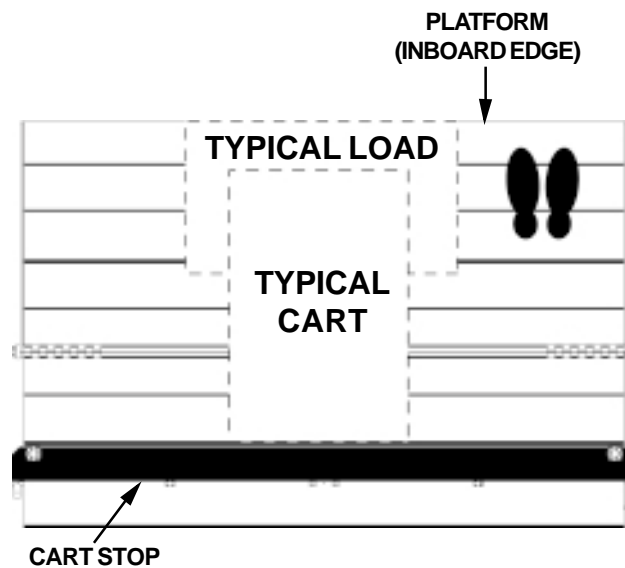


## POSITIONING LOAD

### **WARNING**

**A load should never extend past the edges of the platform. Do not place unstable loads on platform and do not allow load to exceed the capacity of the Liftgate. If standing on platform, do not allow your feet to extend beyond the inboard edge of the platform.**

Place all loads as close as possible to the inboard edge of the platform with heaviest part toward the truck body as shown in illustration. If the Platform is equipped with Single or Dual Cart Stops, move cart to correct position on Platform. Open the Cart Stops before you let go of cart, **RAISE** Platform, or **LOWER** the Platform. If you need to stand on Platform with the load, stand in the footprint area shown and comply with the preceding **WARNING**.



**CORRECTLY LOADED PLATFORM WITH CART STOP**

**FIG. 4**

## OPERATION

1. Unhook Safety Chain from Liftgate (FIG. 4).

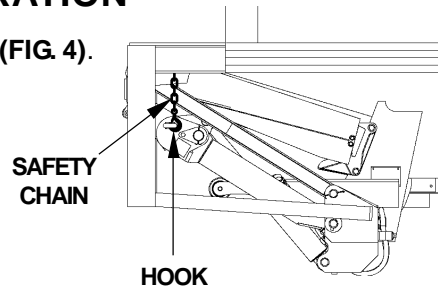


FIG. 5

## ⚠ WARNING

Never operate Control Switch while unfolding (and folding) Platform and Flipover. Always use Handle on side of Flipover to unfold (and fold) Flipover. Holding the Flipover any other way can create a hazard and injure Operator.

2. Standing to the side of platform, push Control Switch to **LOWER** position as shown in FIG. 6. Lower Liftgate to the ground (FIG. 6). Manually unfold Platform (FIG. 7) and Flip-over (FIG. 8).

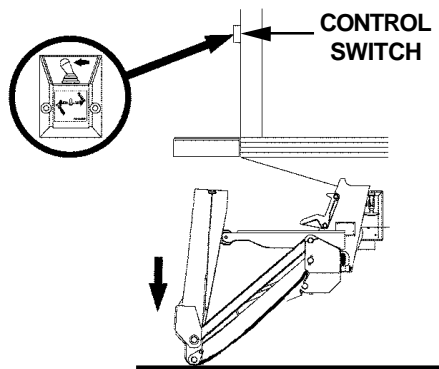


FIG. 6

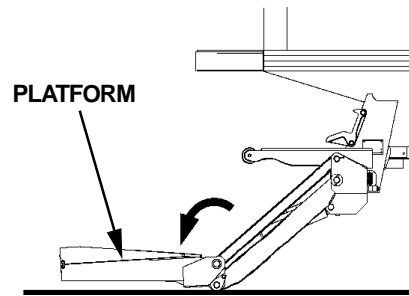


FIG. 7

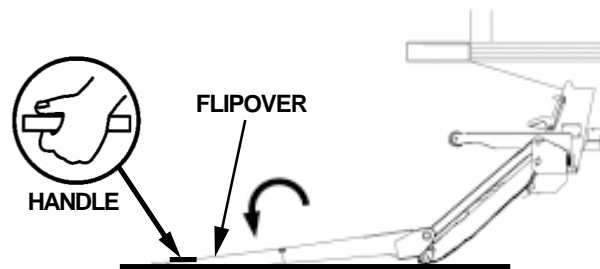
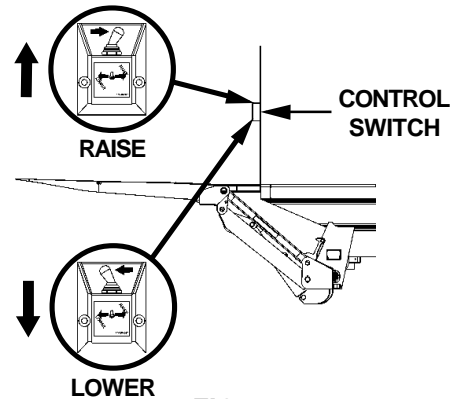


FIG. 8

## OPERATION - Continued

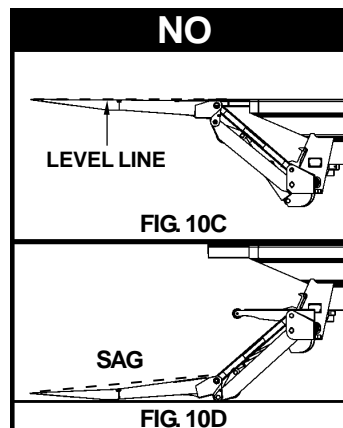
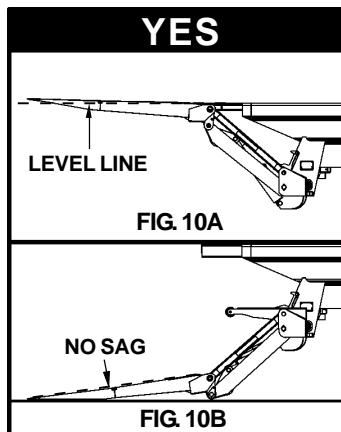
**NOTE:** While operating the Liftgate, you can stop Platform by releasing the Control Switch.

- 3. RAISE** the Liftgate platform by pushing the Control Switch to the **RAISE** position (**FIG. 9**). If loading or unloading the platform, wait 1 seconds before releasing the Control Switch, after platform reaches bed height. If you need to **LOWER** the platform, push the Control Switch to **LOWER** position (**FIG. 9**).



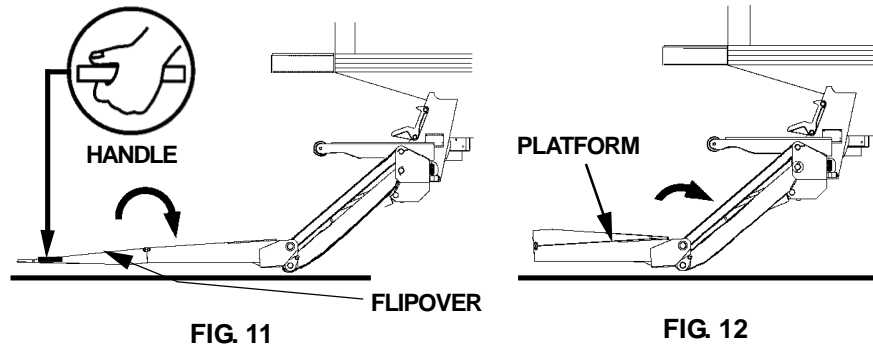
**FIG. 9**

- 4.** Make sure Platform is positioned like the YES illustrations in **FIG. 10A** and **FIG. 10B**. At bed height with no load, outboard edge of Platform must be higher than extension plate. At ground level, with no load, the platform must not sag.

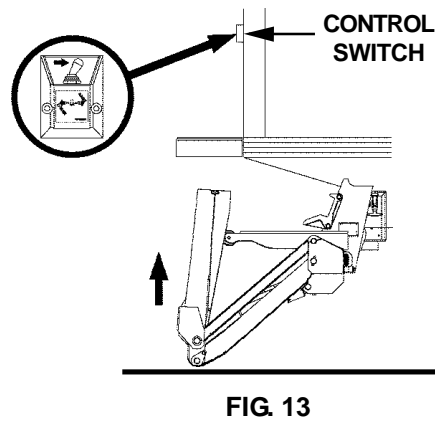


- 5.** If platform is level at bed height (**FIG. 10C**) or if it sags at ground level (**FIG. 10D**), get a qualified mechanic to correct the problem before operating the Liftgate.
- 6.** Refer to **POSITIONING LOAD** topic for information needed to correctly load and unload Platform. If your Liftgate is equipped with Cart Stops, refer to **USING CART STOPS** for information about using the Cart Stops correctly.

7. **RAISE** the Flipover 2" above the ground by pushing the Control Switch to the **RAISE** position (**FIG. 9**). Use handle to manually fold Flipover (**FIG. 11**). Fold the Platform (**FIG. 12**) against Opener (**FIG. 13**).



8. Raise the Liftgate by pushing the Control Switch to the **UP** position as shown in **FIG. 13**. Wait 1 second after Liftgate is all the way up to release Control Switch.



**CAUTION**  
To prevent equipment damage, never lower the Liftgate when hooked to Safety Chain.

9. Hook Safety Chain to Liftgate (**FIG. 14**). Liftgate is ready for transport.

