

M-00-25
AUGUST 2001

Operation Manual Contains:

- Warnings
- Decal & Plate Locations
- Standard Control Locations
- Liftgate & Retention Ramp Operation



MAXON[®]

BMR-A OPERATION MANUAL

© MAXON Lift Corp. 2001

TABLE OF CONTENTS

WARNINGS	Page 5
LIFTGATE DECALS AND PLATES	Page 6
STANDARD CONTROL LOCATIONS	Page 8
FORKLIFT ADVISORY	Page 9
LOADING VEHICLE.....	Page 10
OPENING THE PLATFORM.....	Page 11
LOWERING THE PLATFORM	Page 12
OPENING THE RETENTION RAMP	Page 13
POSITIONING LOAD	Page 14
RAISING & UNLOADING PLATFORM	Page 15
UNLOADING VEHICLE.....	Page 17
OPENING THE PLATFORM.....	Page 18
LOWERING THE PLATFORM	Page 19
OPENING RAMP TO RETENTION POSITION	Page 20
RAISING THE PLATFORM	Page 21
POSITIONING LOAD	Page 22
LOWERING & UNLOADING PLATFORM	Page 23
STOWING PLATFORM	Page 24
DOCK LOADING & UNLOADING	Page 27
LOWER PLATFORM BELOW DOCK LEVEL.....	Page 28

THIS PAGE INTENTIONALLY LEFT BLANK

WARNING

1. Incorrect operation of this Liftgate can result in serious personal injury. Comply with WARNINGS and Liftgate operating instructions in this manual. Do not allow untrained persons to operate the Liftgate. If you need to replace an **Operation Manual**, additional copies are available from:

MAXON Lift Corp.
11921 Slauson Ave
Santa Fe Springs, CA 90670
(800) 227-4116

2. Do not exceed rated **load capacity** of the Liftgates which is **3500 lbs. for -35, 4400 lbs. for model -44, 5500 lbs. for model -55, and 6600 lbs. for model -66.**
3. Do not allow any part of your body to be placed under, within, or around any portion of the moving Liftgate or its mechanisms, or in a position that would trap them between the platform and the floor of truck body (or between platform and the ground) when Liftgate is operated.
4. Consider the safety and location of bystanders and location of nearby objects when operating the Liftgate. Stand to one side of platform while operating the Liftgate. Be certain that the area the Liftgate will move through during operation is clear of all obstacles.
5. Comply with all attached instruction decals and warning decals.
6. Keep decals clean and legible. If decals are defaced or missing have them replaced. **Get free replacement decals from Maxon.**
7. **Never drive a forklift on the Liftgate Platform.**
8. Do not move vehicle unless Liftgate is correctly stowed.
9. **Correctly stow platform when not in use. Extended platforms could create a hazard for people and vehicles passing by.**
10. A correctly installed Liftgate will operate smoothly and reasonably quiet. The only noticeable noise, during Liftgate operation, is from the Pump Unit while the Platform is raised (all models), Platform is lowered closed (all models), and when Platform is lowered (Power Down models only). Listen for scraping, grating and binding noises and have the problem corrected before continuing to operate the Liftgate.
11. Above all, **USE GOOD COMMON SENSE** when operating this Liftgate.

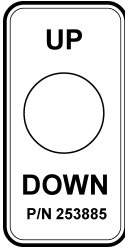
LIFTGATE DECALS AND PLATES

**THE MAXIMUM CAPACITY OF THIS LIFT
IS**

(See TABLE 1)

**WHEN THE LOAD IS
CENTERED ON THE LOAD
CARRYING PLATFORM**

P/N (See TABLE 1)

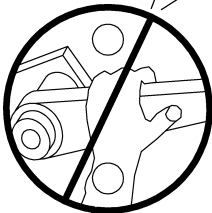


SERIAL PLATE

**DO NOT GREASE
P/N 260552
(2 PLACES)**

**CAUTION
STAND CLEAR
P/N 050092**

**WARNING
P/N 264081**



**KEEP HANDS CLEAR
P/N 260009**

MAX. CAPACITY	PART NUMBER
3500 LBS.	220388-100
4400 LBS.	253155
5500 LBS.	253161
6600 LBS.	253888

TABLE 1



WARNING READ CAREFULLY



- Improper operation of this Lift can result in serious personal injury. Do not operate unless you have been properly instructed and have read, and are familiar with the operating instructions. If you do not have a copy of the instructions, please obtain them from your employer, distributor, or lessor, before you attempt to operate Lift.
- Be certain that the vehicle is properly and securely braked before using the Lift.
- Always inspect this Lift for maintenance or damage before using it. If there are signs of improper maintenance, damage to vital parts, or slippery Platform surface, do not use the Lift until these problems have been corrected.
- Do not overload the Lift. The load limit is based on evenly distributed cargo over the entire Platform surface. If you are using a pallet jack, be sure it can be maneuvered safely. Do not operate a forklift on the Platform or travel with the platform in an open position at any time.
- Load should be placed in a stable position close to the edge of the Platform nearest the truck. The heaviest portion of the load should never be placed beyond the center of the Platform away from the truck.
- Never allow yourself, a helper, or bystander to stand in a position where a falling load could land on either of you. Also do not allow any part of yours or your helper's body to be placed under, within, or around any portion of the moving liftgate, or its mechanisms, or in a position that would trap them between the platform and the ground or truck when the liftgate is operated.
- If a helper is riding the Platform with you, make sure you are both doing so safely and that you are not in danger of coming in contact with any moving or potentially moving obstacles. USE GOOD COMMON SENSE. If load appears to be unsafe, do not lift or lower it.

MAXON LIFT CORP.
PART NO. 264081

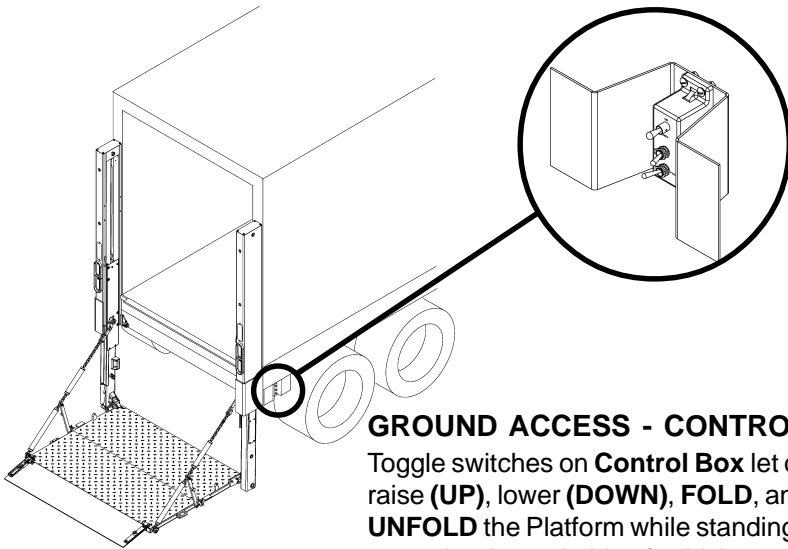
CAUTION
STAND CLEAR
WHEN OPERATING

50092

DO NOT
GREASE
COLUMNS

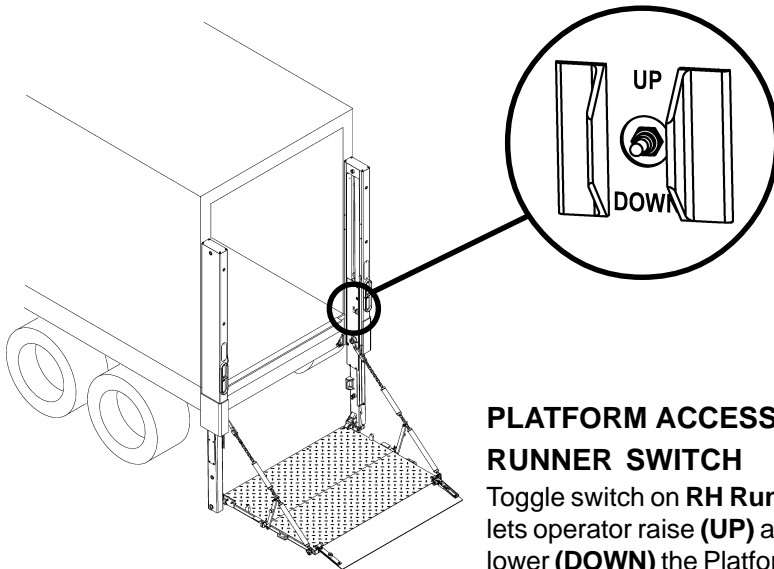
P/N 260552

STANDARD CONTROL LOCATIONS



GROUND ACCESS - CONTROL BOX

Toggle switches on **Control Box** let operator raise (**UP**), lower (**DOWN**), **FOLD**, and **UNFOLD** the Platform while standing on the ground at the curbside of vehicle.

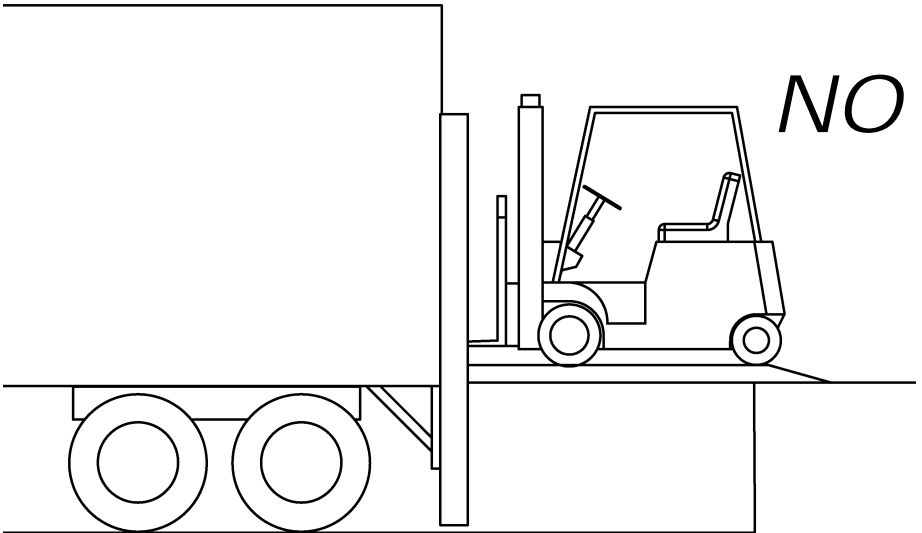
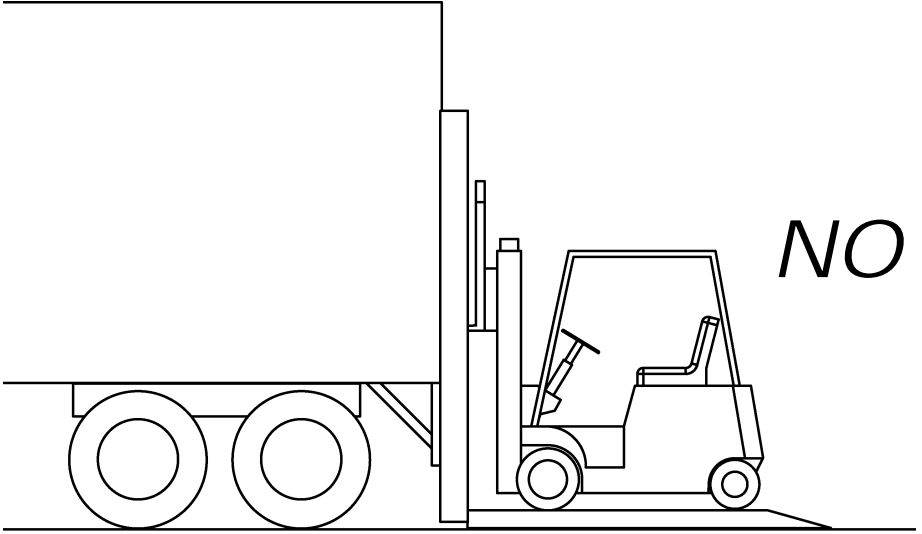


PLATFORM ACCESS - RUNNER SWITCH

Toggle switch on **RH Runner** lets operator raise (**UP**) and lower (**DOWN**) the Platform, only. Switch stays within reach when operator rides Platform **UP** and **DOWN**.

FORKLIFT ADVISORY

 **WARNING**
Keep Forklift OFF of Platform.



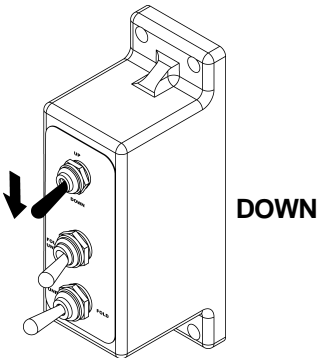
LOADING VEHICLE

OPENING THE PLATFORM

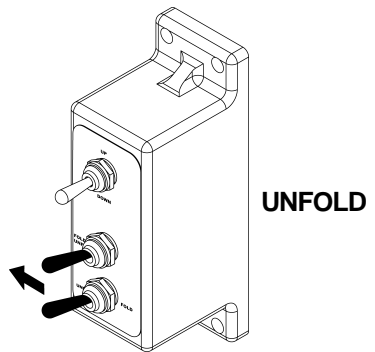
WARNING

Before opening platform, make sure area surrounding platform is clear of people and objects.

Lower Platform (**FIG. 1A**) about 6" by pushing toggle switch to **DOWN** position (**FIG. 1C**). Make sure arrow decal on runner (**FIG. 1B**) is even with (or lower than) arrow decal on Column. Platform will be released from the locking wedges on the Liftgate Column. Use Control Box (**FIG. 1D**) to **UNFOLD** Platform (**FIG. 1A**). Hold both switches until Platform reaches the unfolded (horizontal) position and then release both switches.



**CONTROL BOX
FIG. 1C**



**CONTROL BOX
FIG. 1D**

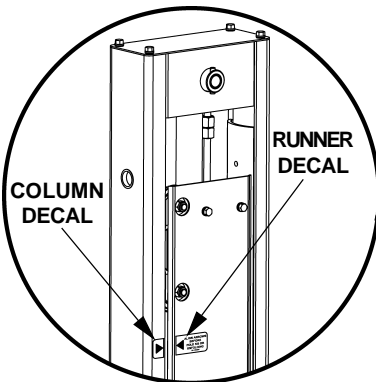


FIG. 1B

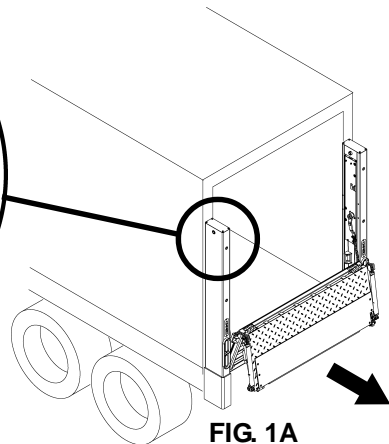
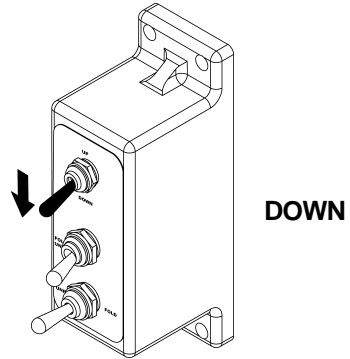


FIG. 1A

LOWERING THE PLATFORM

To lower the Platform (Gravity Down and Power Down Liftgates) (**FIG. 2A**) from bed height to the ground, push toggle switch (**FIG. 2B**) to the **DOWN** position until Platform reaches the ground.



CONTROL BOX
FIG. 2B

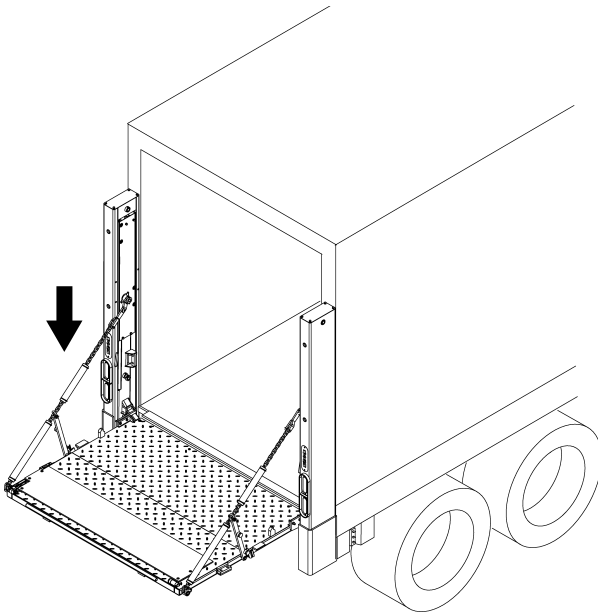
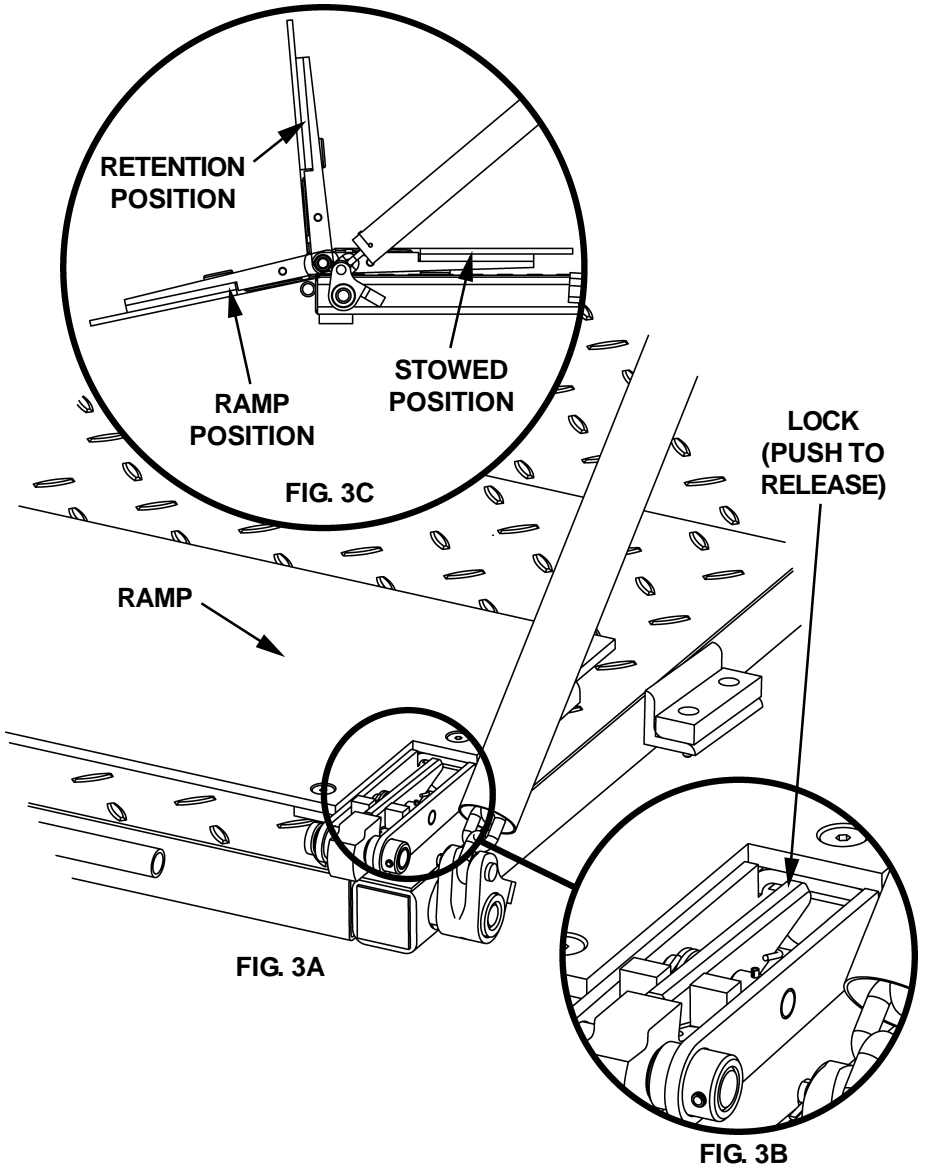


FIG. 2A

OPENING THE RETENTION RAMP

To unfold retention ramp, first push down on retention ramp (**FIG. 3A**) to release tension on lock. Next, push down on lock mechanism (**FIG. 3B**) and lift the retention ramp until it locks in the retention position (**FIG. 3C**). To unfold Ramp for unloading, release lock and lower Ramp to the ground.



POSITIONING LOAD

WARNING

A load should never extend past the edges of the platform. Do not place unstable loads on platform and do not allow load to exceed lifting capacity of Liftgate. If standing on platform, do not allow your feet to extend beyond inboard edge of platform.

Place all loads as close as possible to the inboard edge of the platform with heaviest part toward the truck body as shown in **FIG. 4**. Move loads across the ramp (**FIG. 4**) to the Platform, but never rest or raise loads on the ramp. If you need to stand on the platform with the load, stand in the footprint area shown and comply with the preceding **WARNING**.

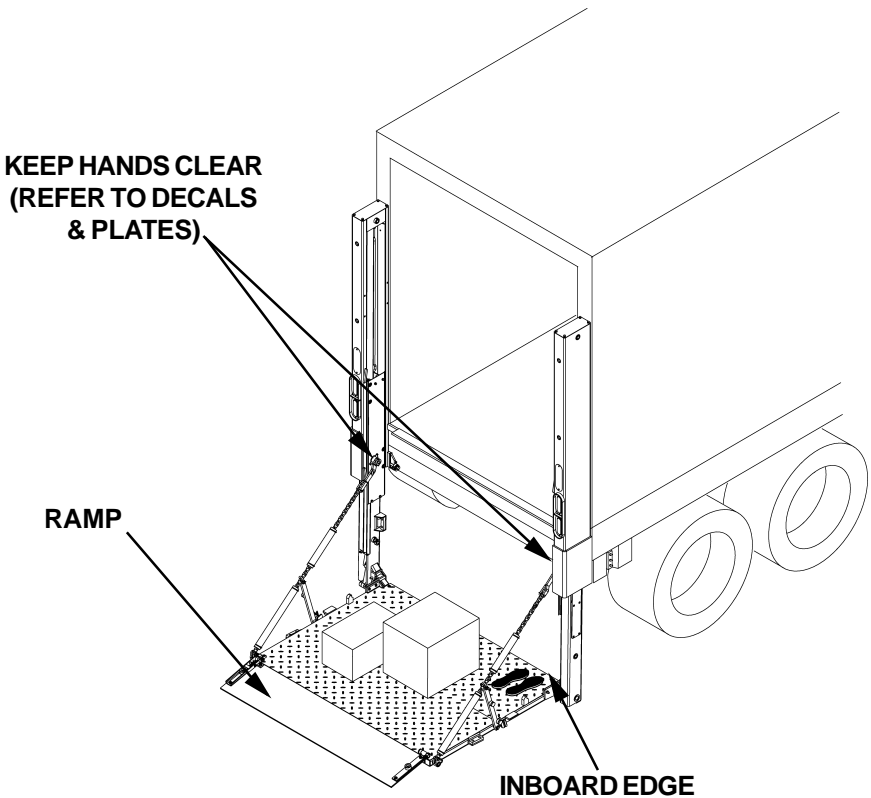
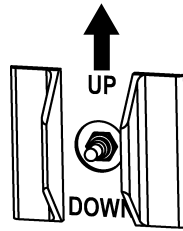


FIG. 4

RAISING & UNLOADING PLATFORM

Fold ramp until it locks in retention position (**FIG. 5B**). Use Runner Switch (**FIG. 5C**) to raise (**UP**) Platform (**FIG. 5A**) from ground level to bed height. Release switch when Platform reaches bed height.



RUNNER SWITCH
FIG. 5C

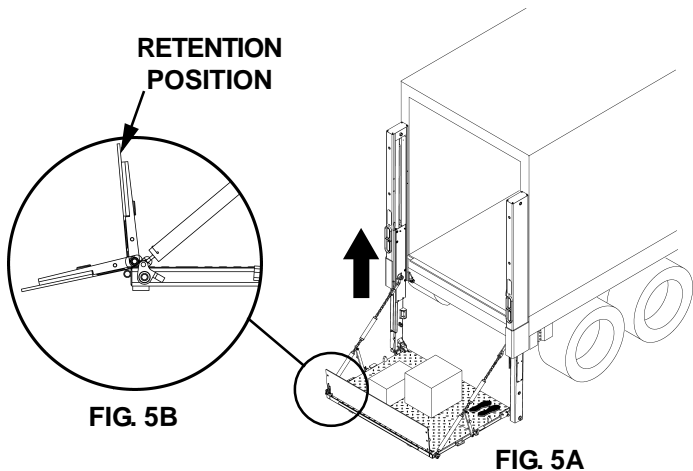


FIG. 5B

FIG. 5A

Carefully move load from Platform into vehicle (**FIG. 5D**).

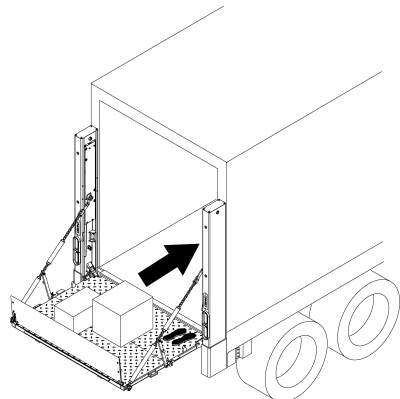
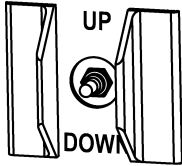


FIG. 5D

RAISING & UNLOADING PLATFORM - Continued

Use Runner Switch (**FIG. 5E**) to lower (**DOWN**) the Platform (**FIG. 5F**) to ground level. If there are more loads to put in vehicle, repeat the previous **LOADING VEHICLE** steps for each load. When loading is finished, use **STOWING PLATFORM** procedure in this manual.



**RUNNER SWITCH
FIG. 5E**

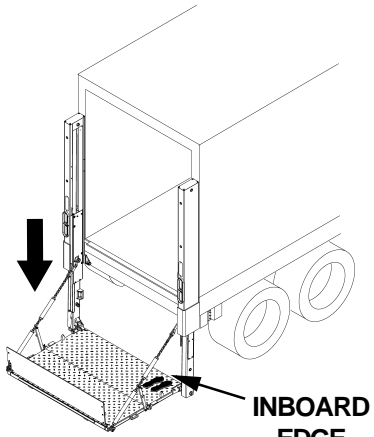


FIG. 5F

UNLOADING VEHICLE

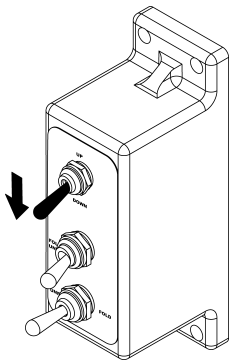
OPENING THE PLATFORM

WARNING

Before opening platform, make sure area surrounding platform is clear of people and objects.

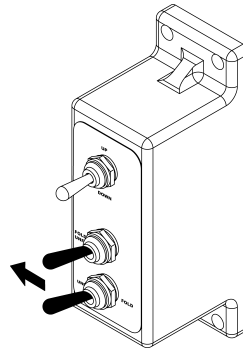
NOTE: Arrow decal on Runner must be even with (or lower than) arrow decal on Column to **FOLD** or **UNFOLD** Platform.

Lower Platform (**FIG. 6A**) about 6" by pushing toggle switch to **DOWN** position (**FIG. 6C**). Make sure arrow decal on runner (**FIG. 6B**) is even with (or lower than) arrow decal on Column. Platform will be released from the locking wedges on the Liftgate Column. Use Control Box (**FIG. 6D**) to **UNFOLD** Platform (**FIG. 6A**). Hold both switches until Platform reaches the unfolded (horizontal) position and then release both switches.



DOWN

CONTROL BOX
FIG. 6C



UNFOLD

CONTROL BOX
FIG. 6D

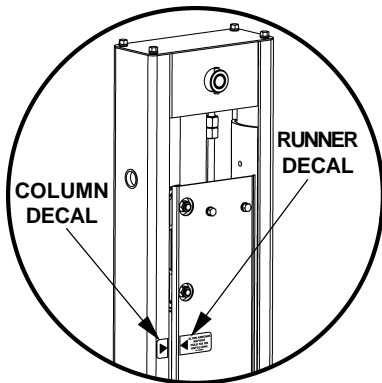


FIG. 6B

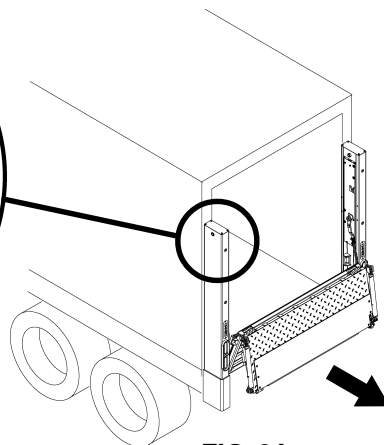


FIG. 6A

LOWERING THE PLATFORM

To lower the Platform (Gravity Down and Power Down Liftgates) (**FIG. 7A**) from bed height to the ground, push the toggle switch (**FIG. 7B**) to **DOWN** position until Platform reaches the ground.

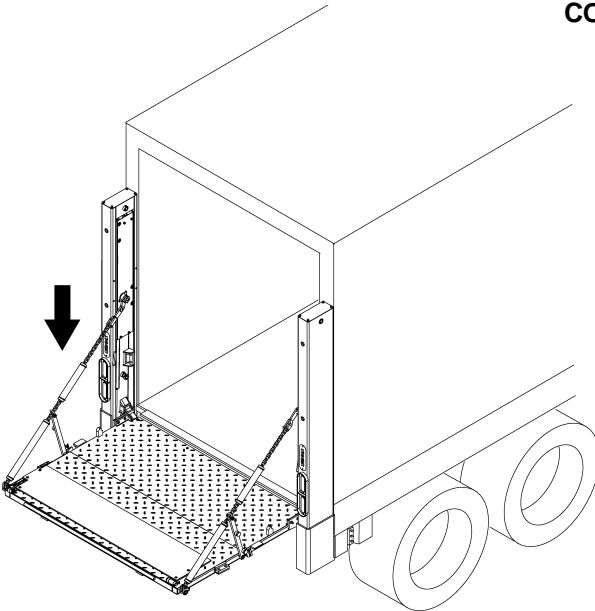
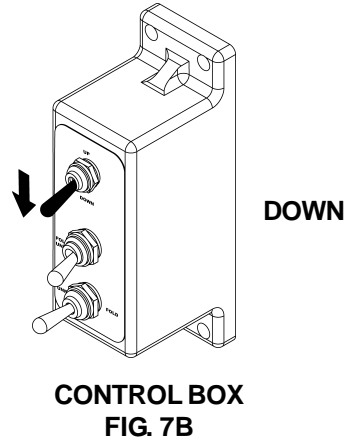
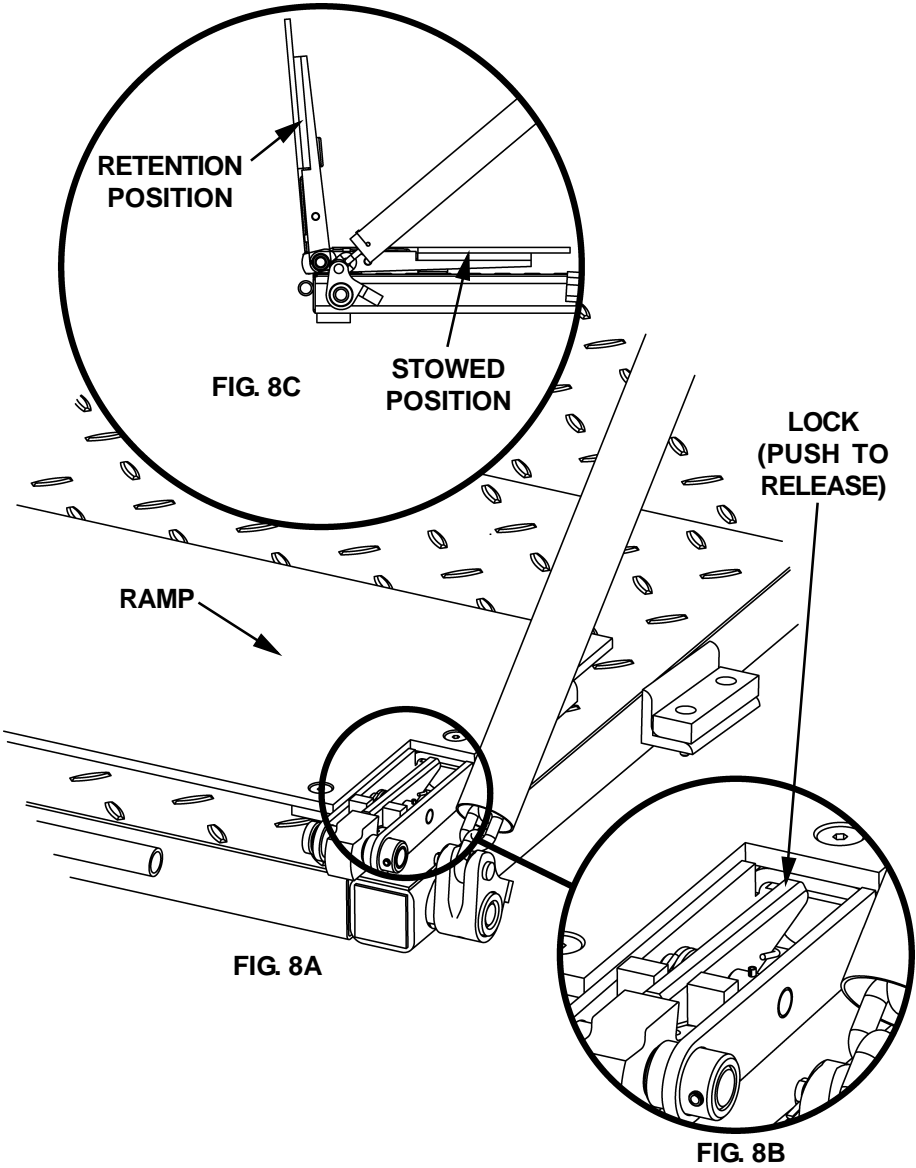


FIG. 7A

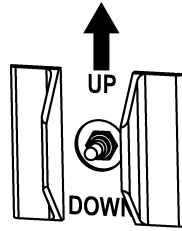
OPENING RAMP TO RETENTION POSITION

To unfold retention ramp, first push down on retention ramp (**FIG. 8A**) to release tension on lock. Next, push down on lock mechanism (**FIG. 8B**) and lift the retention ramp until it locks in the retention position (**FIG. 8C**).



RAISING THE PLATFORM

Use Runner Switch (**FIG. 9B**) to raise Platform (**FIG. 9A**) from ground level to bed height. Release switch when Platform reaches bed height.



RUNNER SWITCH
FIG. 9B

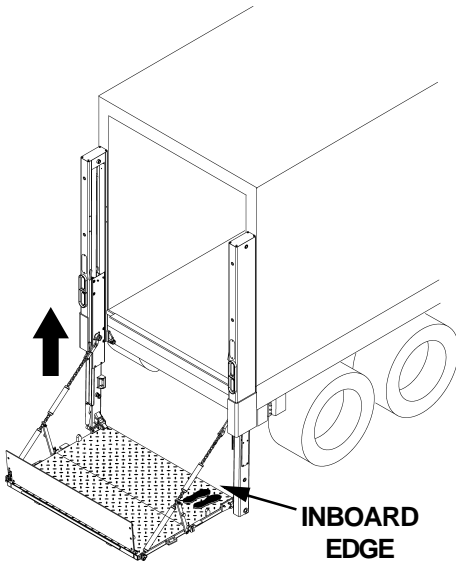


FIG. 9A

POSITIONING LOAD

WARNING

A load should never extend past the edges of the platform. Do not place unstable loads on platform and do not allow load to exceed lifting capacity of Liftgate. If standing on platform, do not allow your feet to extend beyond inboard edge of platform.

Place all loads as close as possible to the inboard edge of the platform with heaviest part toward the truck body as shown in **FIG. 10**. If you need to stand on the platform with the load, stand in the footprint area shown and comply with the preceding **WARNING**.

**KEEP HANDS AWAY
FROM CHAIN LINKS**

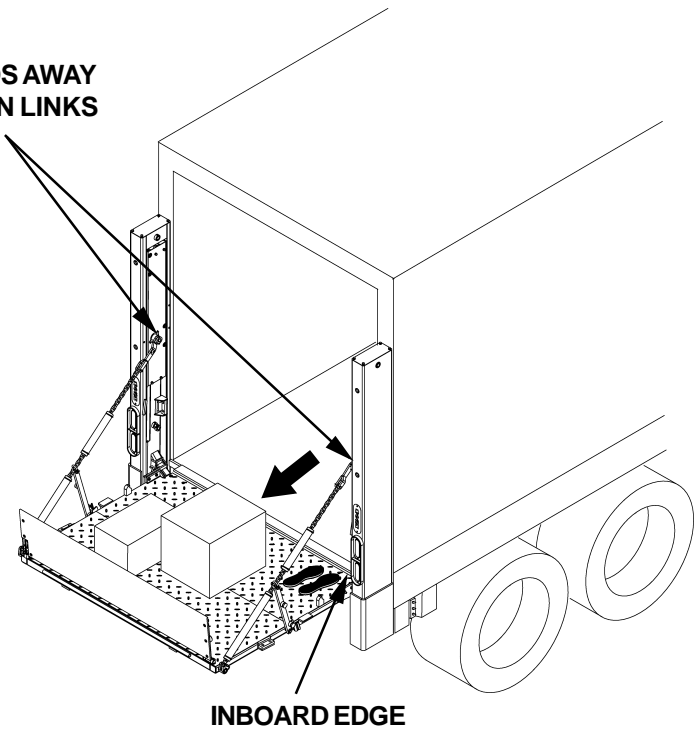


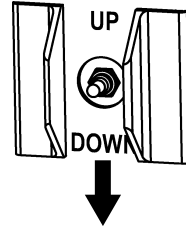
FIG. 10

LOWERING & UNLOADING PLATFORM

WARNING

Before lowering platform, make sure area surrounding platform is clear of people and objects. If standing on platform, do not allow your feet to extend beyond inboard edge of platform.

Use Runner Switch (**FIG. 11B**) to lower the Platform (Gravity Down and Power Down Liftgates) (**FIG. 11A**) from bed height to the ground. Release switch when Platform reaches ground level.



**RUNNER SWITCH
FIG. 11B**

Push down on lock mechanism and lower retention ramp to the ramp position (**FIG. 11C**).

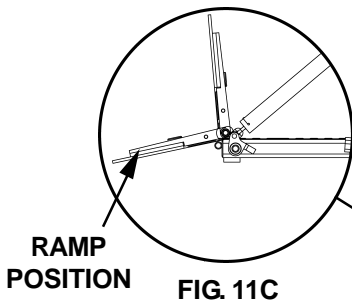


FIG. 11C

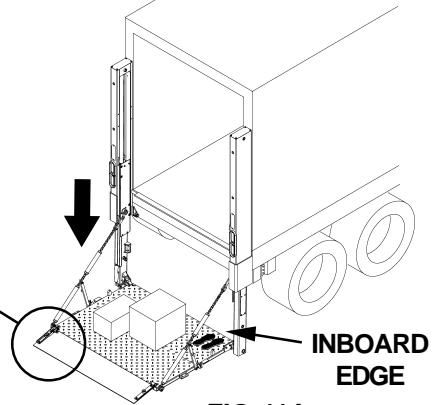


FIG. 11A

Carefully move load off Platform (**FIG. 11D**) and then move it to a place where it will not become a hazard for people and other vehicles. If there is more to unload from vehicle, repeat the previous **UNLOADING VEHICLE** steps for each load. When unloading is finished, use **STOWING PLATFORM** procedure in this manual.

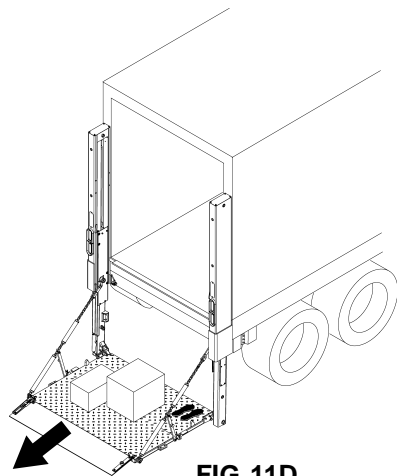


FIG. 11D

STOWING PLATFORM

Push Retention Ramp from retention position to stowed position as shown in FIG. 6A.

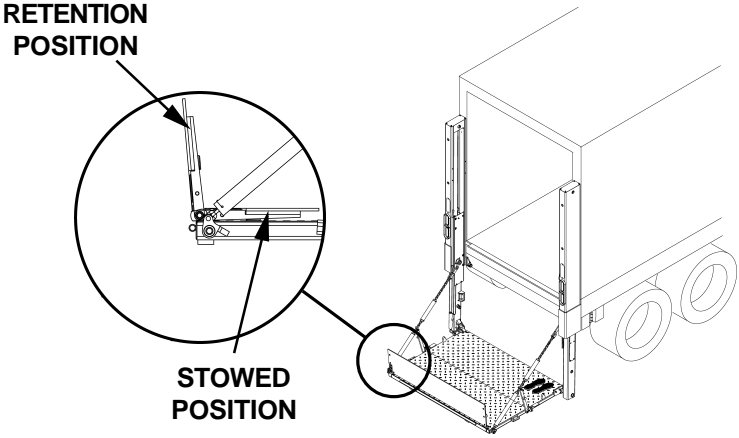
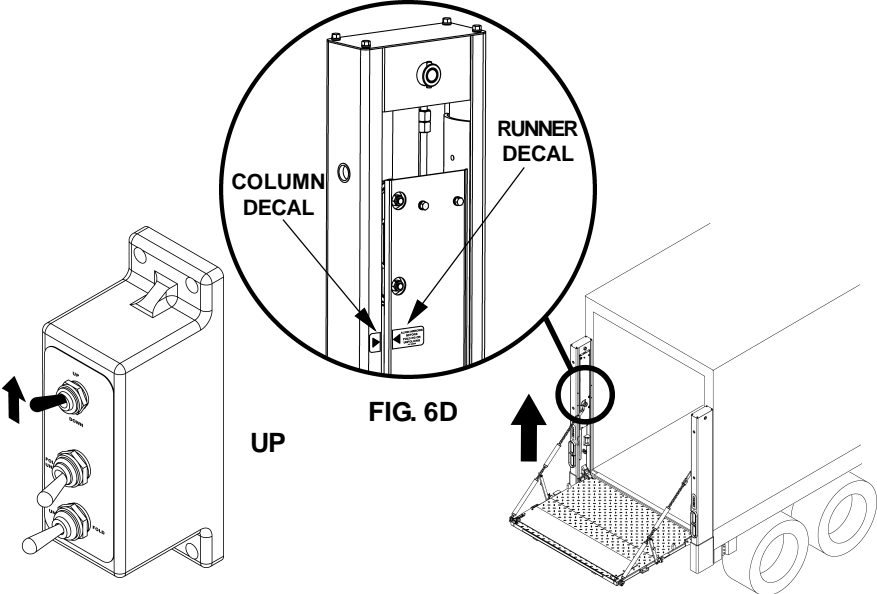


FIG. 6A

Use Control Box (FIG. 6B) to raise (UP) Platform (FIG. 6C) until decals on LH Column are aligned (FIG. 6D).



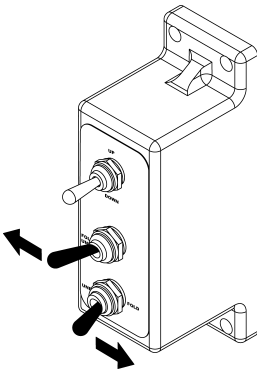
CONTROL BOX
FIG. 6B

FIG. 6D

FIG. 6C

STOWING PLATFORM - Continued

Use Control Box (FIG. 6E) to FOLD Platform (FIG. 6F).



CONTROL BOX
FIG. 6E

FOLD

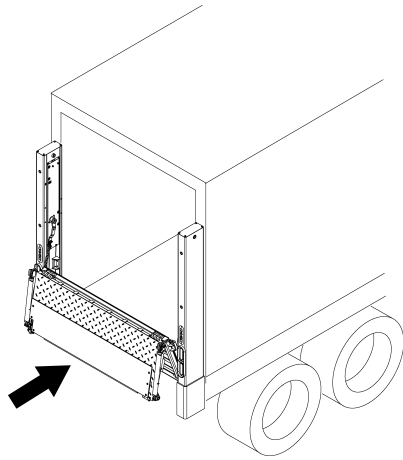
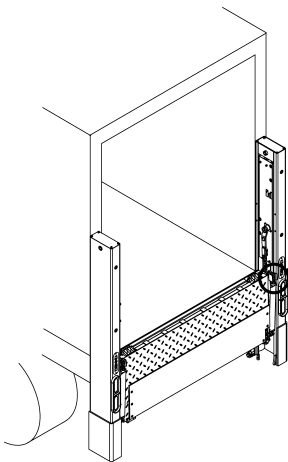


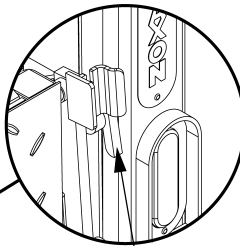
FIG. 6F

⚠ WARNING
Upper and lower Platform locking wedges must be engaged before moving vehicle.

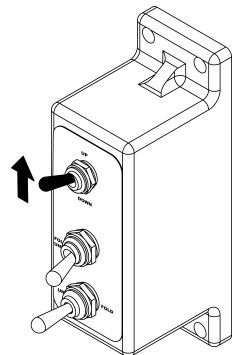
Raise (**UP**) Platform into upper locking position (**FIG. 6G & FIG. 6H**) using Control Box (**FIG. 6J**).



**PLATFORM STOWED IN UPPER
LOCKED POSITION**
FIG. 6G



**LOCKING
WEDGE**
FIG. 6H



UP

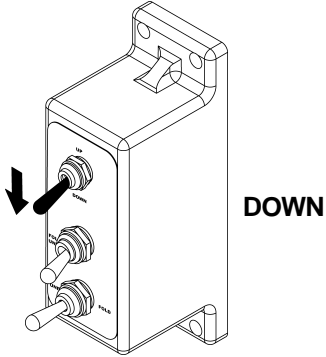
CONTROL BOX
FIG. 6J

DOCK LOADING & UNLOADING

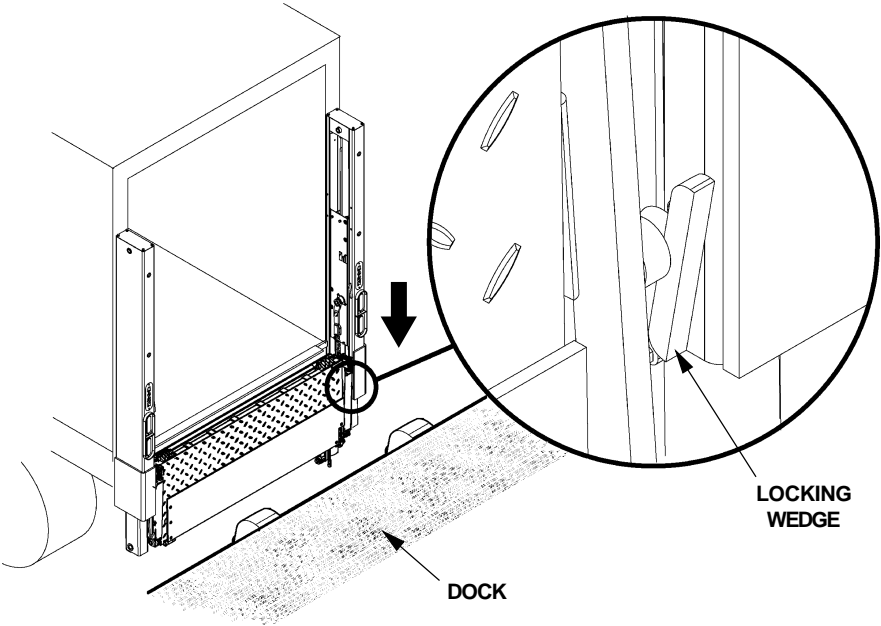
LOWER PLATFORM BELOW DOCK LEVEL

Use Control Box (FIG. 12B) to lower (DOWN) Platform to the lower locking position (FIG. 12A). Release switch when top edge of closed Platform is is below bed height and dock level, and in the lower locking position (FIG. 12A & FIG. 12C). Now loads can be moved between dock and vehicle without using Liftgate.

NOTE: Use dock plate, if available, for moving loads between dock and vehicle.



**CONTROL BOX
FIG. 12B**

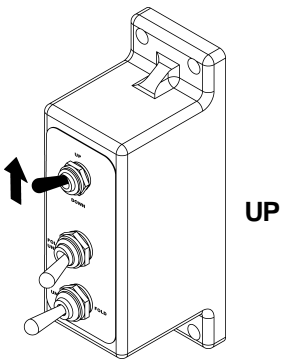


**LOWER LOCKING POSITION
FIG. 12A**

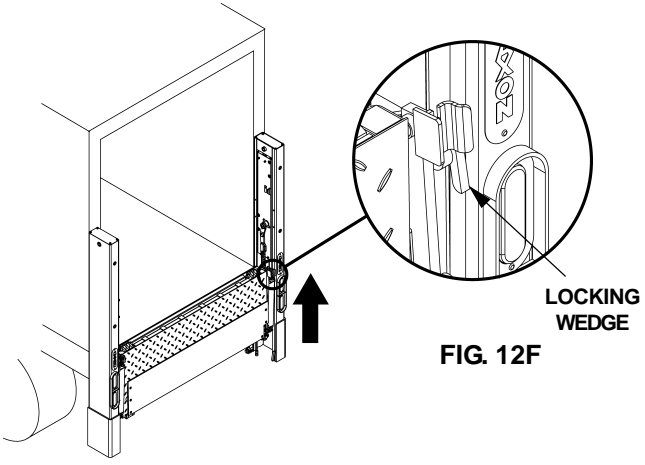
FIG. 12C

⚠ WARNING
Upper and lower Platform locking wedges must be engaged before moving vehicle.

When finished loading and unloading from the dock, use Control Box (FIG. 12D) to raise (UP) Platform to upper locking position (FIG. 12E & FIG. 12F).



CONTROL BOX
FIG. 12D



UPPER LOCKING POSITION
FIG. 12E

FIG. 12F