

M-91-18
REV. F
DECEMBER 2012

MAINTENANCE MANUAL

RAILGATE



LIFT GATE SERIES

- RCM-1250C
- RCM-1250C AB
- RCM-1600C
- RCM-1600C AB

MAXON[®]
LIFT CORP.

11921 Slauson Avenue
Santa Fe Springs, CA 90607
(800) 227-4116

MAXON[®]

LIFT CORP.

11921 Slauson Ave.
Santa Fe Springs, CA. 90670

CUSTOMER SERVICE:

TELEPHONE (562) 464-0099 TOLL FREE (800) 227-4116

FAX: (888) 771-7713

NOTE: For latest version of all Manuals (and replacements), download the Manuals from Maxon's website at www.maxonlift.com.

WARRANTY/ RMA POLICY & PROCEDURE

LIFTGATE WARRANTY

Type of Warranty: Full Parts and Labor

Term of Warranty: Standard Liftgates - 2 years from ship date or 6,000 cycles
Premium Liftgates - 2 years from ship date or 10,000 cycles

This warranty shall not apply unless the product is installed, operated and maintained in accordance with MAXON Lift's specifications as set forth in MAXON Lift's Installation, Operation and Maintenance manuals. This warranty does not cover normal wear, maintenance or adjustments, damage or malfunction caused by improper handling, installation, abuse, misuse, negligence, or carelessness of operation. In addition, this warranty does not cover equipment that has had unauthorized modifications or alterations made to the product.

MAXON agrees to replace any components which are found to be defective during the first 2 years of service, and will reimburse for labor based on MAXON's Liftgate Warranty Flat Rate Schedule. (Copy of the Flat Rate is available at www.maxonlift.com.)

All warranty repairs must be performed by an authorized MAXON warranty facility. For any repairs that may exceed \$500, including parts and labor, MAXON's Technical Service Department must be notified and an "Authorization Number" obtained.

All claims for warranty must be received within 30 Days of the repair date, and include the following information:

1. Liftgate Model Number and Serial Number
2. The End User must be referenced on the claim
3. Detailed Description of Problem
4. Corrective Action Taken, and Date of Repair
5. Parts used for Repair, Including MAXON Part Number(s)
6. MAXON R.M.A. # and/or Authorization # if applicable (see below)
7. Person contacted at MAXON if applicable
8. Claim must show detailed information i.e. Labor rate and hours of work performed

Warranty claims can also be placed online at www.maxonlift.com. Online claims will be given priority processing.

All claims for warranty will be denied if paperwork has not been received or claim submitted via Maxon website for processing by MAXON's Warranty Department within 30 days of repair date.

All components may be subject to return for inspection, prior to the claim being processed. MAXON products may not be returned without prior written approval from MAXON's Technical Service Department. Returns must be accompanied by a copy of the original invoice or reference with original invoice number and are subject to a credit deduction to cover handling charges and any necessary reconditioning costs. **Unauthorized returns will be refused and will become the responsibility of the returnee.**

Any goods being returned to MAXON Lift must be pre-approved for return, and have the R.M.A. number written on the outside of the package in plain view, and returned freight prepaid. All returns are subject to a 15% handling charge if not accompanied by a detailed packing list. Returned parts are subject to no credit and returned back to the customer. Defective parts requested for return must be returned within 30 days of the claim date for consideration to:

MAXON Lift Corp.
10321 Greenleaf Ave., Santa Fe Springs, CA 90670
Attn: RMA# _____

MAXON's warranty policy does not include the reimbursement for travel time, towing, vehicle rental, service calls, oil, batteries or loss of income due to downtime. Fabrication or use of non Maxon parts, which are available from MAXON, are also not covered.

MAXON's Flat Rate Labor Schedule takes into consideration the time required for diagnosis of a problem.

All Liftgates returned are subject to inspection and a 15% restocking fee. Any returned Liftgates or components that have been installed or not returned in new condition will be subject to an additional reworking charge, which will be based upon the labor and material cost required to return the Liftgate or component to new condition.

PURCHASE PART WARRANTY

Term of Warranty: 1 Year from Date of Purchase.

Type of Warranty: Part replacement only. MAXON will guarantee all returned genuine MAXON replacement parts upon receipt and inspection of parts and original invoice.

All warranty replacements parts will be sent out via ground freight. If a rush shipment is requested, all freight charges will be billed to the requesting party. _____

TABLE OF CONTENTS

WARNINGS	6
SAFETY INSTRUCTIONS	6
PERIODIC MAINTENANCE	8
PERIODIC MAINTENANCE CHECKLIST	8
CHECKING HYDRAULIC FLUID	9
CHANGING HYDRAULIC FLUID	11
CLEAN AND LUBRICATE COLUMNS	13
ADJUST DRIVE CHAINS	14
PARTS BREAKDOWN	16
RCM-1250C.....	16
RCM-1250C AB.....	20
RCM-1600C.....	24
RCM-1600C AB.....	28
PLATFORM & RAMP ASSEMBLY.....	32
PUMP ASSEMBLY 12 VOLT (GRAVITY DOWN)	36
PUMP ASSEMBLY 24 VOLT (GRAVITY DOWN)	38
HYDRAULIC COMPONENTS	40
PUMP BOX ASSEMBLY	42
CONTROL SWITCH.....	43
DECALS	44
DRIVE CHAIN SYSTEM DIAGRAM.....	45

MAXON[®]

11921 Slauson Ave. Santa Fe Springs, CA. 90670 (800) 227-4116 FAX (888) 771-7713

HYDRAULIC SYSTEM DIAGRAM	46
ELECTRICAL SYSTEM DIAGRAM.....	47
TROUBLESHOOTING.....	48
PLATFORM WILL NOT RAISE, MOTOR WILL NOT RUN.....	48
PLATFORM WILL NOT LOWER	49
PLATFORM RAISES, BUT LEAKS DOWN.....	50
PLATFORM RAISES, BUT WILL NOT LIFT RATED CAPACITY	50

Comply with the following **WARNINGS** and **SAFETY INSTRUCTIONS** while maintaining Liftgates. See Operation Manual for operating safety requirements.

WARNING

- Do not stand, or allow obstructions, under the platform when lowering the Liftgate. **Be sure your feet are clear of the Liftgate.**
- **Keep fingers, hands, arms, legs, and feet clear of moving Liftgate parts (and platform edges) when operating the Liftgate.**
- **Correctly stow platform when not in use. Extended platforms could create a hazard for people and vehicles passing by.**
- **Disconnect Liftgate power cable from battery** before repairing or servicing Liftgate.
- If it is necessary to stand on the platform while maintaining the Liftgate, keep your feet and any objects clear of the inboard edge of the platform. Your feet or objects on the platform can become trapped between the platform and the Liftgate extension plate.
- Recommended practices for welding on steel parts are contained in the current **AWS (American Welding Society) D1.1 Structural Welding Code - Steel**. Damage to Liftgate and/or vehicle, and personal injury could result from welds that are done incorrectly.
- Recommended practices for welding on aluminum parts are contained in the current **AWS (American Welding Society) D1.2 Structural Welding Code - Aluminum**. Damage to Liftgate and/or vehicle, and personal injury could result from welds that are done incorrectly.

SAFETY INSTRUCTIONS

- Read and understand the instructions in this **Maintenance Manual** before performing maintenance on the Liftgate.
- Before operating the Liftgate, read and understand the operating instructions in **Operation Manual**.
- Comply with all **WARNING** and instruction decals attached to the Liftgate.
- Keep decals clean and legible. If decals are illegible or missing, replace them. Free replacement decals are available from **Maxon Customer Service**.
- Consider the safety and location of bystanders and location of nearby objects when operating the Liftgate. Stand to one side of the platform while operating the Liftgate
- Do not allow untrained persons to operate the Liftgate.
- Wear appropriate safety equipment such as protective eyeglasses, faceshield and clothing while performing maintenance on the Liftgate and handling the battery. Debris from drilling and contact with battery acid may injure unprotected eyes and skin.
- Be careful working by an automotive type battery. Make sure the work area is well ventilated and there are no flames or sparks near the battery. Never lay objects on the battery that can short the terminals together. If battery acid gets in your eyes, immediately seek first aid. If acid gets on your skin, immediately wash it off with soap and water.

MAXON[®]

11921 Slauson Ave. Santa Fe Springs, CA. 90670 (800) 227-4116 FAX (888) 771-7713

- If an emergency situation arises (vehicle or Liftgate) while operating the Liftgate, release the control switch to stop the Liftgate.
- A correctly installed Liftgate operates smoothly and reasonably quiet. The only noticeable noise during operation comes from the power unit while the platform is raised. Listen for scraping, grating and binding noises and correct the problem before continuing to operate Liftgate.
- Use only **Maxon Authorized Parts** for replacement parts. Provide Liftgate model and serial number information with your parts order. Order replacement parts from:

MAXON LIFT CORP. Customer Service
11921 Slauson Ave., Santa Fe Springs, CA 90670

Online: www.maxonlift.com

Express Parts Ordering: Phone (800) 227-4116 ext. 4345

Email: Ask your Customer Service representative

PERIODIC MAINTENANCE

PERIODIC MAINTENANCE CHECKLIST



WARNING

Never operate the Liftgate if parts are loose or missing.

Annually or 5000 Cycles (whichever occurs first)

Visually check the entire Liftgate for excessively worn parts and broken welds, especially the Hinge Pins. See **PARTS BREAKDOWN** section for replacement parts. With the Cylinder Housing Cover removed, lubricate drive chains with red grease. Also, do the **Semi-annual** and **Quarterly Maintenance** checks.

Semi-annually or 2500 Cycles (whichever occurs first)

Visually check the Platform Hinge Pins for excessive wear and broken welds. See **PARTS BREAKDOWN** section for replacement parts. Also, do the **Quarterly Maintenance** checks.

Quarterly or 1250 Cycles (whichever occurs first)

Check the Hydraulic Fluid level in the Pump Reservoir. Refer to the **CHECKING HYDRAULIC FLUID** procedure in the **PERIODIC MAINTENANCE** section.

If Hydraulic Fluid appears contaminated, refer to the **CHANGING HYDRAULIC FLUID** procedure in the **PERIODIC MAINTENANCE** section.

Keep track of the grade of Hydraulic Fluid in the Pump Reservoir and never mix two different grades of fluid.

Check all Hoses and Fittings for chaffing and fluid leaks. Replace if necessary.

Check electrical wiring for chaffing and make sure wiring connections are tight and free of corrosion.

Check that all **WARNING** and **instruction decals** are in place and legible.

Check that all roll pins are in place and protrude evenly from both sides of Hinge Pin collar. Replace roll pins if necessary.

CAUTION

Damaged cylinder seals and contaminated hydraulic fluid can result from painting the polished portion of the cylinder rod. To prevent damage, protect the exposed polished portion of the cylinder rod while painting.

Check for rust and oily surfaces on Liftgate. If there is rust or oil on the Liftgate, clean it off. Touch up the paint where bare metal is showing.

MAXON[®]

11921 Slauson Ave. Santa Fe Springs, CA. 90670 (800) 227-4116 FAX (888) 771-7713

CHECKING HYDRAULIC FLUID

CAUTION

Keep dirt, water and other contaminants from entering the hydraulic system. Before opening the hydraulic fluid reservoir filler cap, drain plug and hydraulic lines, clean up contaminants that can get in the openings. Also, protect the openings from accidental contamination.

NOTE: Use correct grade of hydraulic fluid for your location.

+50 to +120 Degrees F - Grade ISO 32

Below + 70 Degrees F - Grade ISO 15 or MIL-H-5606

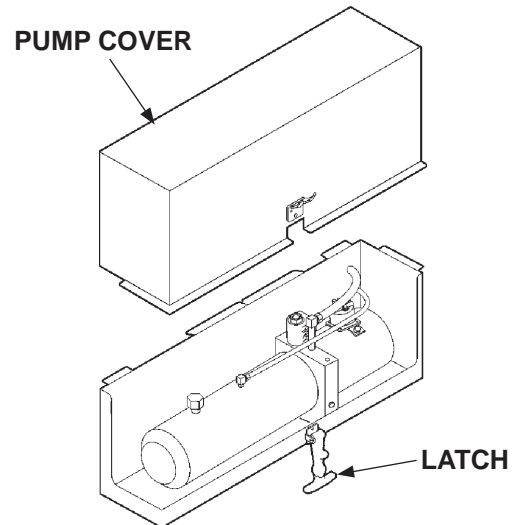
See **TABLES 10-1 and 10-2** for recommended brands.

NOTE: If the hydraulic fluid in the reservoir is contaminated, do the **CHANGING HYDRAULIC FLUID** procedure in this section.

1. Open and lower platform to ground level.
Unfasten latch and remove the pump cover (**FIG. 9-1**).

2. Remove threaded filler cap (**FIG. 9-2**).
Check the hydraulic fluid level in reservoir. hydraulic fluid level should be 1" below the top of filler hole (**FIG. 9-2**). If needed, add hydraulic fluid to fill the reservoir to the level shown in **FIG. 9-2**.

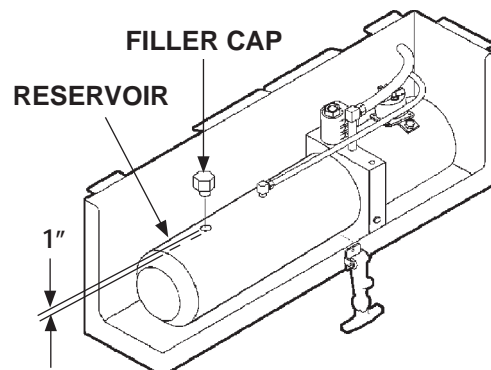
3. Reinstall filler cap (**FIG. 9-2**).



**REMOVING / REINSTALLING
PUMP COVER
FIG. 9-1**

CAUTION
Pump Cover must be correctly secured to prevent it from becoming a hazard. To secure Pump Cover, fasten the rubber latch on the Pump Box to the receiver on the Pump Box Cover.

4. Reinstall the pump cover and fasten latch (**FIG. 9-2**).



**CHECKING FLUID LEVEL
FIG. 9-2**

PERIODIC MAINTENANCE

CHECKING HYDRAULIC FLUID - Continued

ISO 32 HYDRAULIC OIL	
RECOMMENDED BRANDS	PART NUMBER
AMSOIL	AWH-05
CHEVRON	HIPERSYN 32
KENDALL	GOLDEN MV
SHELL	TELLUS S2 V32
EXXON	UNIVIS N-32
MOBIL	DTE-13M, DTE-24, HYDRAULIC OIL-13

TABLE 10-1

ISO 15 OR MIL-H-5606 HYDRAULIC OIL	
RECOMMENDED BRANDS	PART NUMBER
AMSOIL	AWF-05
CHEVRON	FLUID A, AW-MV-15
KENDALL	GLACIAL BLU
SHELL	TELLUS S2 V15
EXXON	UNIVIS HVI-13
MOBIL	DTE-11M
ROSEMEAD	THS FLUID 17111

TABLE 10-2

MAXON[®]

11921 Slauson Ave. Santa Fe Springs, CA. 90670 (800) 227-4116 FAX (888) 771-7713

CHANGING HYDRAULIC FLUID

CAUTION

Keep dirt, water and other contaminants from entering the hydraulic system. Before opening the hydraulic fluid reservoir filler cap, drain plug and hydraulic lines, clean up contaminants that can get in the openings. Also, protect the openings from accidental contamination.

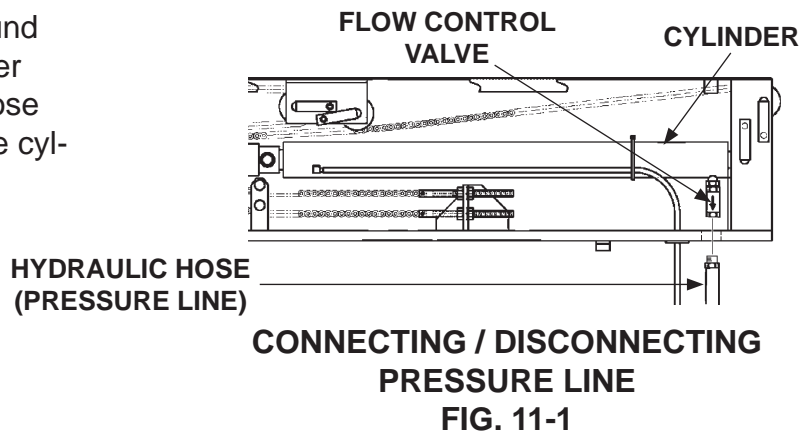
NOTE: Use correct grade of hydraulic fluid for your location.

+50 to +120 Degrees F - Grade ISO 32

Below + 70 Degrees F - Grade ISO 15 or MIL-H-5606

See **TABLES 10-1 and 10-2** for recommended brands.

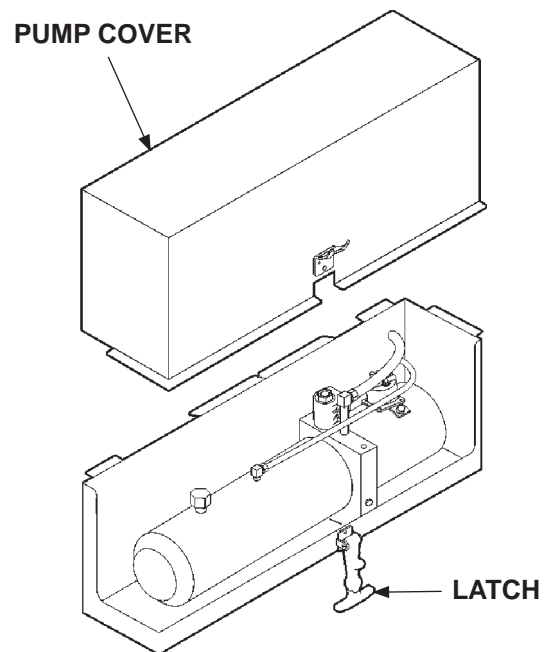
1. Open and lower Platform to ground level. Remove cover from cylinder housing. Disconnect pressure hose from the flow control valve on the cylinder (**FIG. 11-1**).



2. Unfasten latch and remove the pump cover (**FIG. 11-2**).

NOTE: To prevent spills, drain used hydraulic fluid into an empty 5 gallon bucket. Hold hydraulic hose in container until fluid stops flowing. If needed, get a helper.

3. Place disconnected end of hydraulic hose in an empty 5 gallon bucket. Set control switch to **RAISE** position until the hydraulic system starts to make cavitating sounds. Release the control switch. When fluid stops flowing from hydraulic hose, re-connect hose to RAISE port on the cylinder (**FIG. 11-1**). Reinstall cover on cylinder Housing (**FIG. 11-1**). Move 5 gallon bucket from work area and dispose fluid correctly.

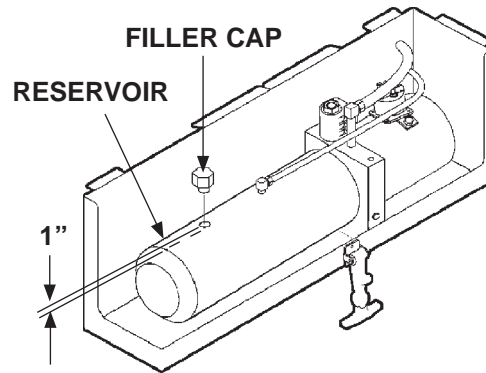


REMOVING / REINSTALLING PUMP COVER
FIG. 11-2

PERIODIC MAINTENANCE

CHANGING HYDRAULIC FLUID - Continued

4. Remove threaded Filler Cap (**FIG. 12-1**).
Fill the Reservoir with correct Hydraulic Fluid to the level shown in **FIG. 12-1**.



CHECKING FLUID LEVEL
FIG. 12-1

5. Reinstall Filler Cap (**FIG. 12-1**).

CAUTION

Pump Cover must be correctly secured to prevent it from becoming a hazard. To secure Pump Cover, fasten the rubber latch on the Pump Box to the receiver on the Pump Box Cover.

6. Reinstall the Pump Cover and fasten latch (**FIG. 11-2**).

MAXON[®]

11921 Slauson Ave. Santa Fe Springs, CA. 90670 (800) 227-4116 FAX (888) 771-7713

CLEAN AND LUBRICATE COLUMNS

CAUTION

Do not apply oil or grease to the Lift Columns.

1. Thoroughly **pressure wash (or steam clean)** inside surfaces of both Lift columns (**FIG. 13-1**) to remove oil, grease, and debris.

CAUTION

Do not store can of lubricant on truck.

2. **Lubricate** inside each of the two Lift columns (**FIG. 13-1**) with **silicon spray or teflon spray**.
3. Repeat washing procedure if there is any build up of solid lubricant. Re-apply recommended lubricants as required.

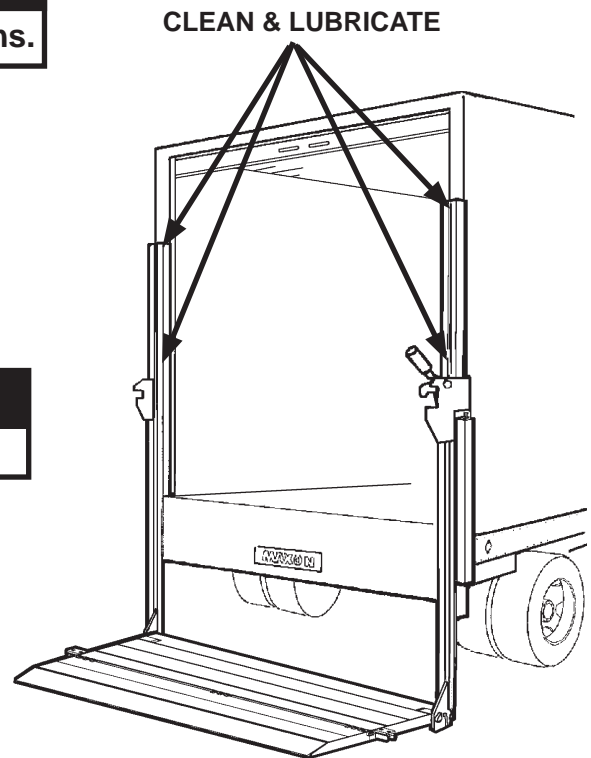


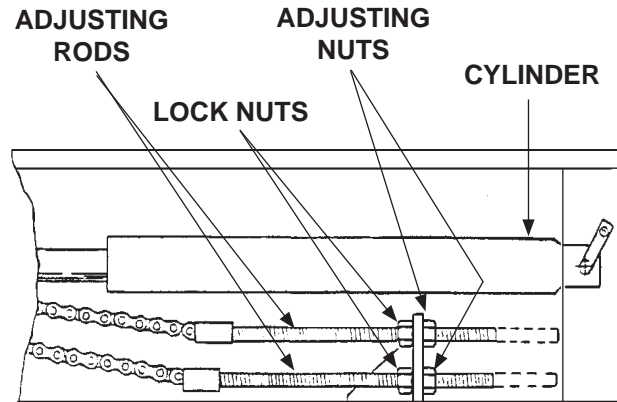
FIG. 13-1

PERIODIC MAINTENANCE

ADJUST DRIVE CHAINS

NOTE: Vehicle body must be empty (unloaded) before performing the following adjustment.

1. Adjust drive chains as follows.
2. Remove cover from Cylinder Housing. Loosen the lock nut on each chain adjusting rod (**FIG. 14-1**). Then lower Platform to ground level.
3. Turn each chain adjusting nut (**FIG. 14-1**) an equal amount of clockwise turns (alternate from chain to chain) until hydraulic cylinder is fully compressed. Then tighten the lock nut (**FIG. 14-1**) on each chain.
4. If either of the 2 chain rods are too long, cut off the excess as shown in **FIG. 14-1**.



ADJUSTING DRIVE CHAIN
FIG. 14-1

MAXON[®]

11921 Slauson Ave. Santa Fe Springs, CA 90670 (800) 227-4116 FAX (888) 771-7713

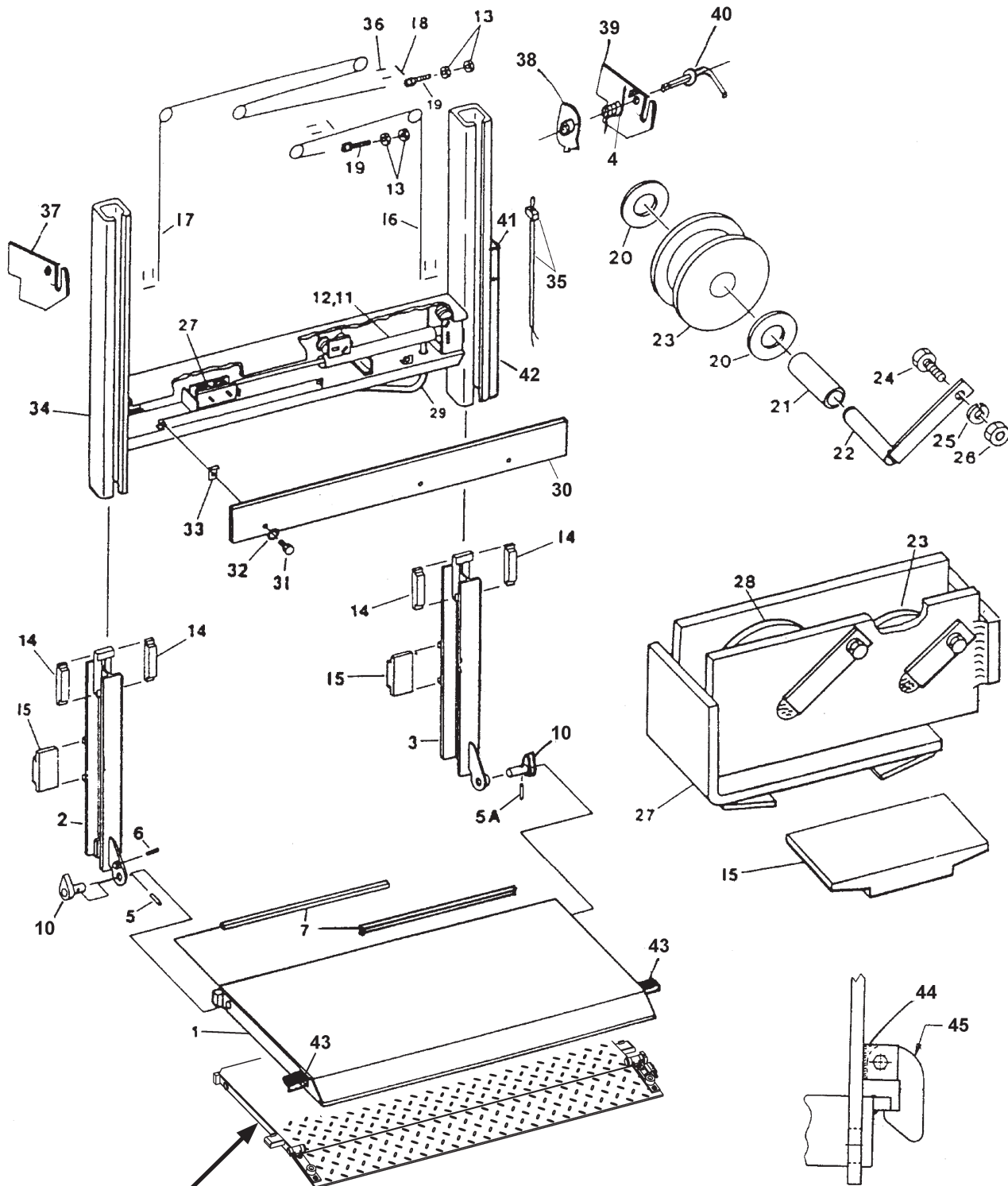
THIS PAGE INTENTIONALLY LEFT BLANK

PARTS BREAKDOWN

RCM-1250C

MAXON®

11921 Slauson Ave. Santa Fe Springs, CA. 90670 (800) 227-4116 FAX (888) 771-7713



REFER TO PLATFORM AND RAMP ASSEMBLY

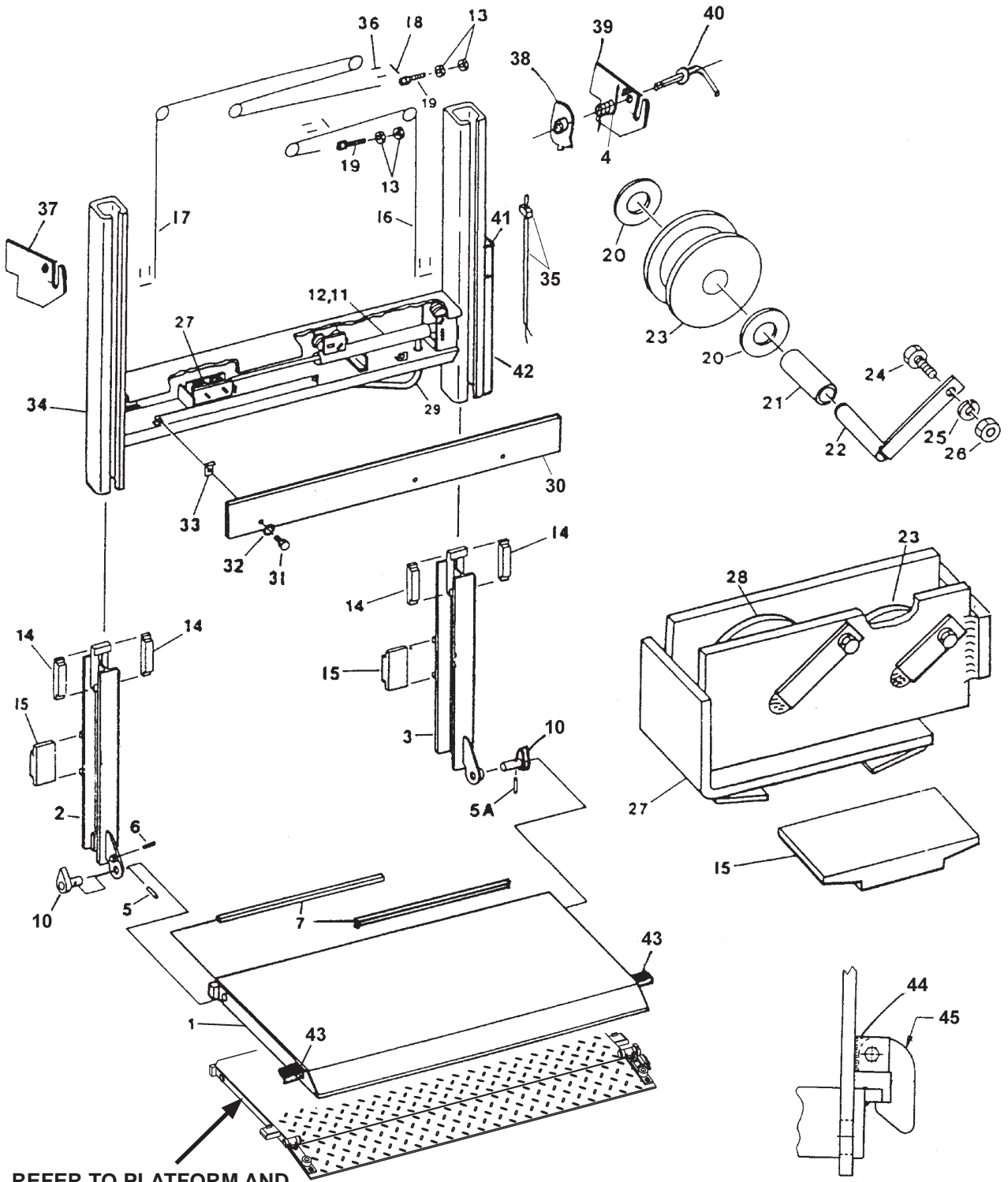
ITEM	QTY.	PART NO.	DESCRIPTION
1	1	252983-02	PLATFORM WELD'T (30"+6") 96" W BODY
		252983-01	PLATFORM WELD'T (30"+6") 90" W BODY
		252983-03	PLATFORM WELD'T (30"+6") 84" W BODY
2	1	226853-03	RUNNER ASSEMBLY, L.H.
3	1	226852-04	RUNNER ASSEMBLY, R.H
4	1	252460	SPRING
5	1	221497	ROLL PIN, 3/8" X 1-1/2" LG.
5A	1	221416	ROLL PIN, 3/8" X 2" LG.
6	1	224576	HEX SOCKET SET SCREW
7	2	252999	TORSION BAR
8			NOT USED
9			NOT USED
10	2	224470	HINGE PIN REPLACEMENT
11	1	226918	HYDRAULIC CYLINDER, 2" X 28" STROKE
12	1	225823	SEAL KIT, HYDRAULIC CYLINDER
13	4	030327	JAM NUT, 1/2-20
14	4	226772	PAD SLIDER
15	3	227350	PAD SLIDER
16	1	226917-01	LEAF CHAIN, R.H
17	1	226917-02	LEAF CHAIN, L.H. 96" W BODY
		226917-03	LEAF CHAIN, L.H. 90" W BODY
		226917-04	LEAF CHAIN, L.H. 84" W BODY
18	4	226854-03	PIN, LEAF CHAIN
19	2	226931-01	ADJUSTING SCREW
20	12	224337	BEARING, THRUST TYPE
21	6	224338	BEARING, PLAIN CYLINDRICAL TYPE
22	7	223670	SHAFT WELDMENT
23	2	223672-02	SHEAVE ASSEMBLY, 2" DIA
24	7	030707	HEX BOLT, 1/4"-20 X 3/4" LG.
25	7	030351	LOCKWASHER, 1/4" I.D.

MAXON[®] 11921 Slauson Ave. Santa Fe Springs, CA. 90670 (800) 227-4116 FAX (888) 771-7713

RCM-1250C - Continued

MAXON®

11921 Slauson Ave. Santa Fe Springs, CA. 90670 (800) 227-4116 FAX (888) 771-7713



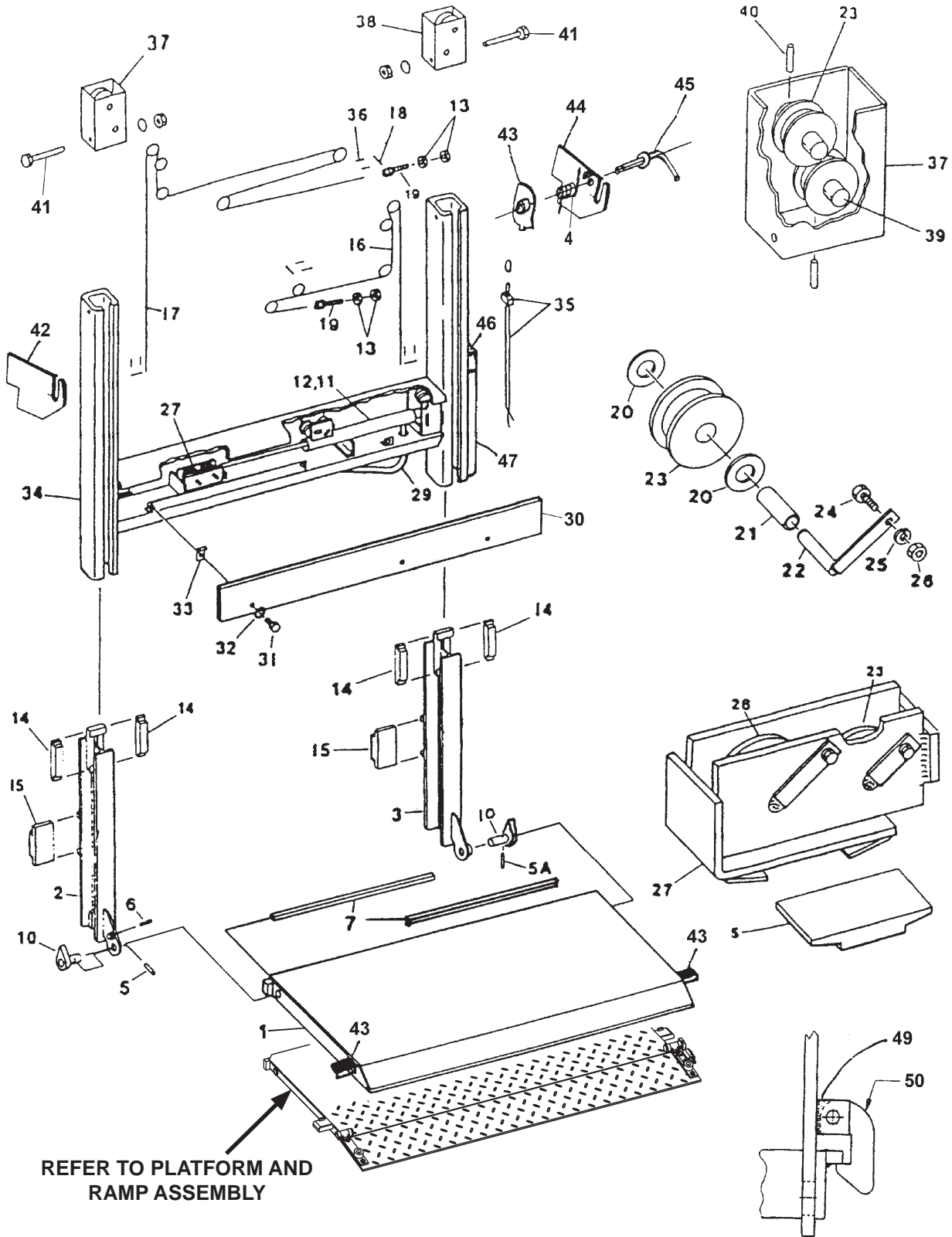
REFER TO PLATFORM AND RAMP ASSEMBLY

ITEM	QTY.	PART NO.	DESCRIPTION
26	7	030306	HEX NUT, 1/4"-20
27	1	226849	DRIVE CARRIAGE WELDMENT
28	2	223672-01	SHEAVE ASSEMBLY, 3" DIA.
29	1	800234-02	HOSE, 1/4" X 48" LG.
30	1	224508	COVER, CYLINDER, 96" W BODY
		226847	COVER, CYLINDER, 90" W BODY
		226779	COVER, CYLINDER, 84" W BODY
31	3	030014	HEX BOLT, 5/16-18 X 5/8" LG.
32	3	030554	LOCKWASHER, 5/16" I.D.
33	3	203877	NUT RETAINER
34	1	226832-01	COLUMN FRAME WELD'T, 96" LG.
		226832-02	COLUMN FRAME WELD'T, 90" LG.
		226832-03	COLUMN FRAME WELD'T, 84" LG.
35	1	224670	ELECTRICAL HARNESS & SWITCH ASSY
36	8	226855	COTTER PIN, 1/16" DIA. X 1-1/2" LG.
37	1	252461	BRACKET, STOP, L.H.
38	1	252467	LOCKING BRACKET
39	1	252466	BRACKET, STOP, RH
40	1	252473	HANDLE
41	1	251711	BRACKET, SWITCH
42	1	251028	CHANNEL
43	2	252464	PLATFORM STOP
44	2	250265	BRACKET
45	1	250266	RETAINER

RCM-1250C AB

MAXON

11921 Slauson Ave. Santa Fe Springs, CA. 90670 (800) 227-4116 FAX (888) 771-7713

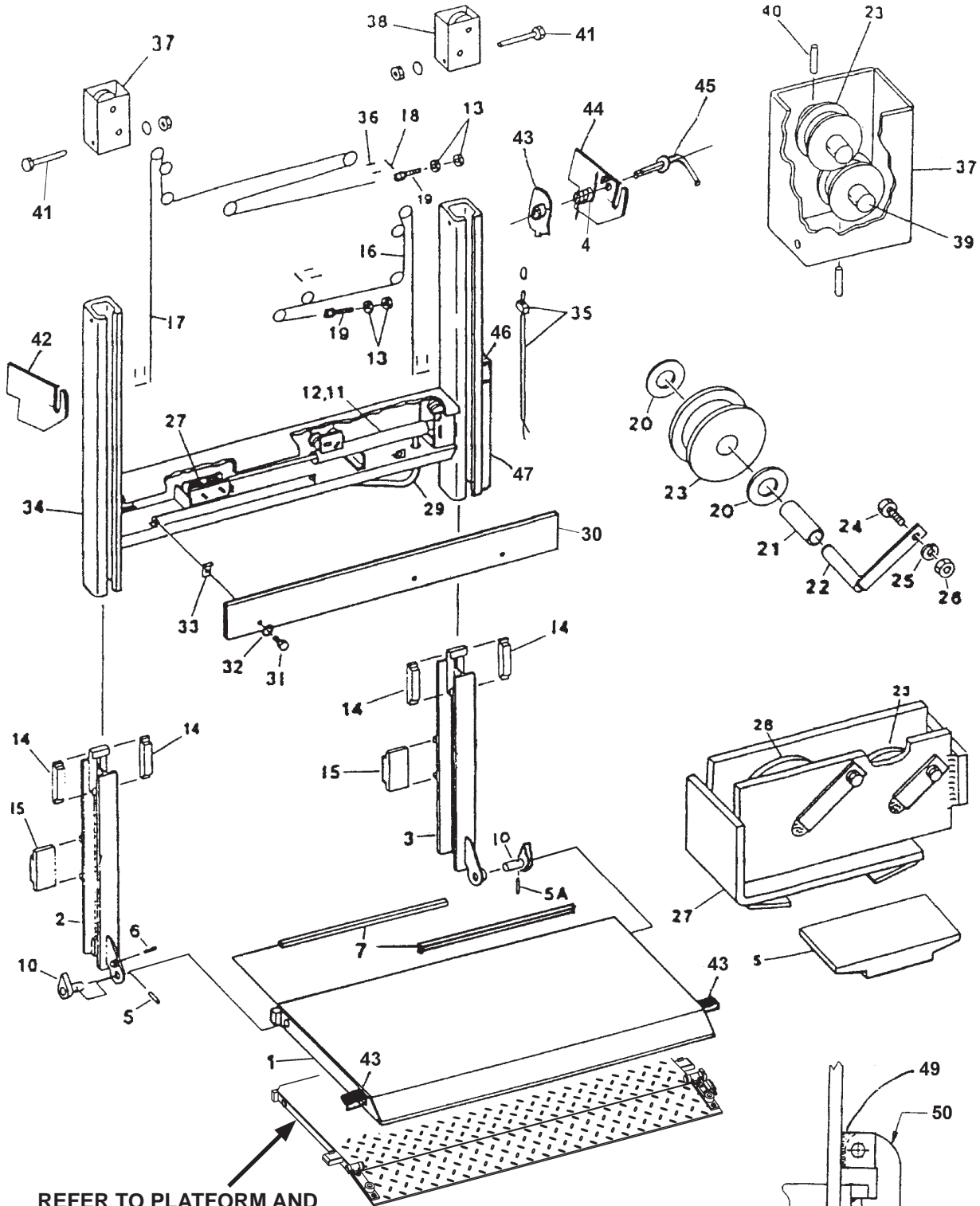


ITEM	QTY.	PART NO.	DESCRIPTION
1	1	252983-02	PLATFORM WELD'T (30"+6") 96" W BODY
		252983-01	PLATFORM WELD'T (30"+6") 90" W BODY
		252983-03	PLATFORM WELD'T (30"+6") 84" W BODY
2	1	226663-03	RUNNER ASSEMBLY, L.H.
3	1	226663-04	RUNNER ASSEMBLY, R.H.
4	1	252460	SPRING
5	1	221497	ROLL PIN, 3/8" X 1-1/2" LG.
5A	1	221416	ROLL PIN, 3/8" X 2" LG.
6	1	224576	HEX SOCKET SET SCREW
7	2	252999	TORSION BAR
8			NOT USED
9			NOT USED
10	2	224470	HINGE PIN WELDMENT
11	1	226918	HYDRAULIC CYLINDER, 2" X 28" STROKE
12	1	225823	SEAL KIT, HYDRAULIC CYLINDER
13	4	030327	JAM NUT, 1/2-20
14	4	226772	PAD SLIDER
15	3	227350	PAD SLIDER
16	1	226917-05	LEAF CHAIN, R.H.
17	1	226917-06	LEAF CHAIN, L.H. 96" W BODY
		226917-07	LEAF CHAIN, L.H. 90" W BODY
		226917-08	LEAF CHAIN, L.H. 84" W BODY
18	4	226854-03	PIN, LEAF CHAIN
19	2	226931-01	ADJUSTING SCREW
20	12	224337	BEARING, THRUST TYPE
21	6	224338	BEARING, PLAIN CYLINDRICAL TYPE
22	7	224670	SHAFT WELDMENT
23	6	223672-02	SHEAVE ASSEMBLY, 2" DIA.
24	7	030707	HEX BOLT, 1/4"-20 X 3/4" LG.
25	9	030351	LOCKWASHER, 1/4" I.D.

RCM-1250C AB - Continued

MAXON

11921 Slauson Ave. Santa Fe Springs, CA. 90670 (800) 227-4116 FAX (888) 771-7713

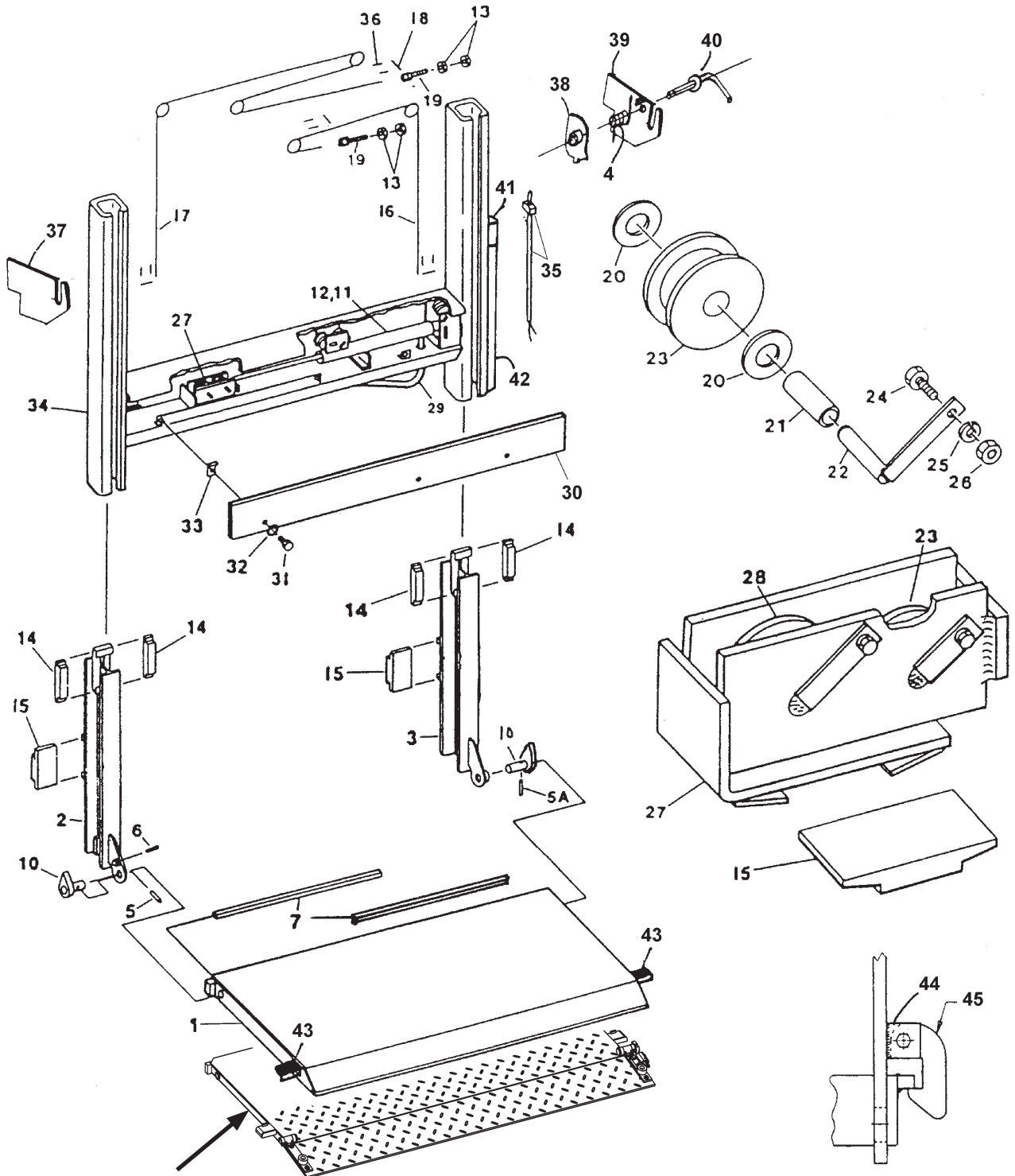


ITEM	QTY.	PART NO.	DESCRIPTION
26	9	030306	HEX NUT, 1/4"-20
27	1	226849	DRIVE CARRIAGE WELDMENT
28	2	223672-01	SHEAVE ASSEMBLY, 3" DIA.
29	1	800234-02	HOSE, 1/4" X 48" LG.
30	1	224508	COVER, CYLINDER 96" W BODY
		226847	COVER, CYLINDER 90" W BODY
		226779	COVER, CYLINDER 84" W BODY
31	3	030014	HEX BOLT, 5/16-18 X 5/8" LG.
32	3	030554	LOCKWASHER, 5/16" I.D.
33	3	203877	NUT RETAINER
34	1	226831-01	COLUMN WELDMENT 96" LG.
		226831-02	COLUMN WELDMENT 90" LG.
		226831-03	COLUMN WELDMENT 84" LG.
35	1	224670	ELECTRICAL HARNESS & SWITCH ASSY
36	8	226855	COTTER PIN, 1/16" DIA. X 1-1/2" LG.
37	1	225033-01	UPPER PULLEY SUPPORT WELDMENT, L.H.
38	1	225033-02	UPPER PULLEY SUPPORT WELDMENT, R.H.
39	4	224479	UPPER PULLEY SHAFT
40	4	030410	ROLL PIN, 1/4" DIA. X 1-1/2" LG.
41	2	225028	HEX HEAD BOLT, 1/4"-20 X 5" LG.
42	1	252461	BRACKET, STOP, LH
43	1	252467	LOCKING BRACKET
44	1	252466	BRACKET, STOP, RH
45	1	252473	HANDLE
46	1	251711	BRACKET, SWITCH
47	1	251028	CHANNEL
48	2	252464	PLATFORM STOP
49	2	250265	BRACKET
50	1	250266	RETAINER

MAXON®

11921 Slauson Ave. Santa Fe Springs, CA. 90670 (800) 227-4116 FAX (888) 771-7713

RCM-1600C



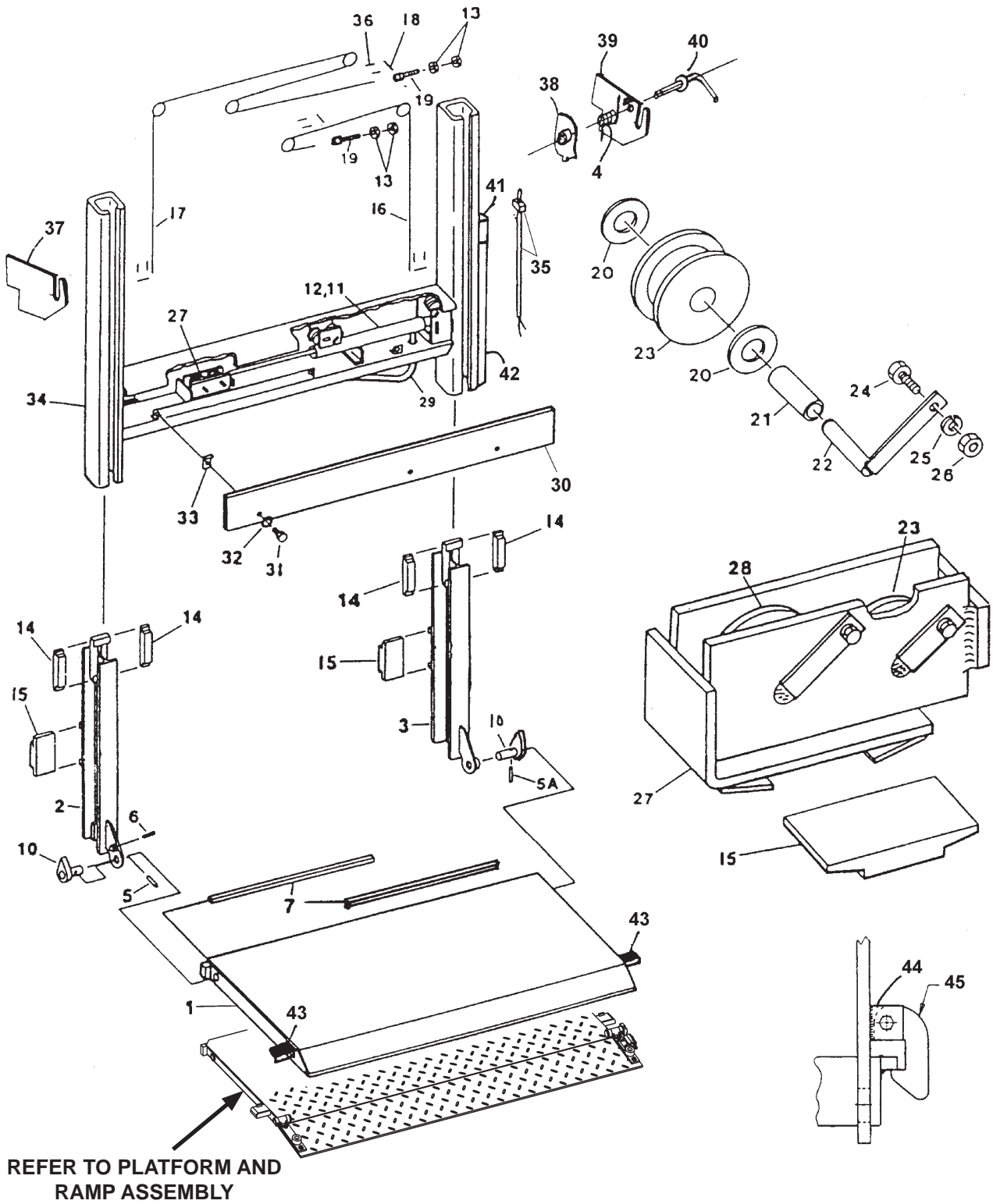
REFER TO PLATFORM AND RAMP ASSEMBLY

ITEM	QTY.	PART NO.	DESCRIPTION
1	1	252984-02	PLATFORM WELD'T (30"+6") 96" W BODY
		252984-01	PLATFORM WELD'T (30"+6") 90" W BODY
		252984-03	PLATFORM WELD'T (30"+6") 84" W BODY
2	1	226852-01	RUNNER ASSEMBLY, L.H.
3	1	226852-02	RUNNER ASSEMBLY, R.H.
4	1	252460	SPRING
5	1	221497	ROLL PIN, 3/8" X 1-1/2" LG.
5A	1	221416	ROLL PIN, 3/8" X 2" LG.
6	1	224576	HEX SOCKET SET SCREW
7	2	252999	TORSION BAR
8			NOT USED
9			NOT USED
10	2	224470	HINGE PIN WELDMENT
11	1	226918	HYDRAULIC CYLINDER, 2" X 28" STROKE
12	1	225823	SEAL KIT, HYDRAULIC CYLINDER
13	4	030327	JAM NUT, 1/2-20
14	4	226772	PAD SLIDER
15	3	227350	PAD SLIDER
16	1	226916-01	LEAF CHAIN, R.H.
17	1	226916-02	LEAF CHAIN, L.H. 96" W BODY
		226916-03	LEAF CHAIN, L.H. 90" W BODY
		226916-04	LEAF CHAIN, L.H. 84" W BODY
18	4	226854-03	PIN, LEAF CHAIN
19	2	226931-01	ADJUSTING SCREW
20	12	224337	BEARING, THRUST TYPE
21	6	224338	BEARING, PLAIN CYLINDRICAL TYPE
22	7	224670	SHAFT WELDMENT
23	6	223672-02	SHEAVE ASSEMBLY, 2" DIA.
24	7	030707	HEX BOLT, 1/4"-20 X 3/4" LG.
25	9	030351	LOCKWASHER, 1/4" I.D.

RCM-1600C - Continued

MAXON

11921 Slauson Ave. Santa Fe Springs, CA. 90670 (800) 227-4116 FAX (888) 771-7713

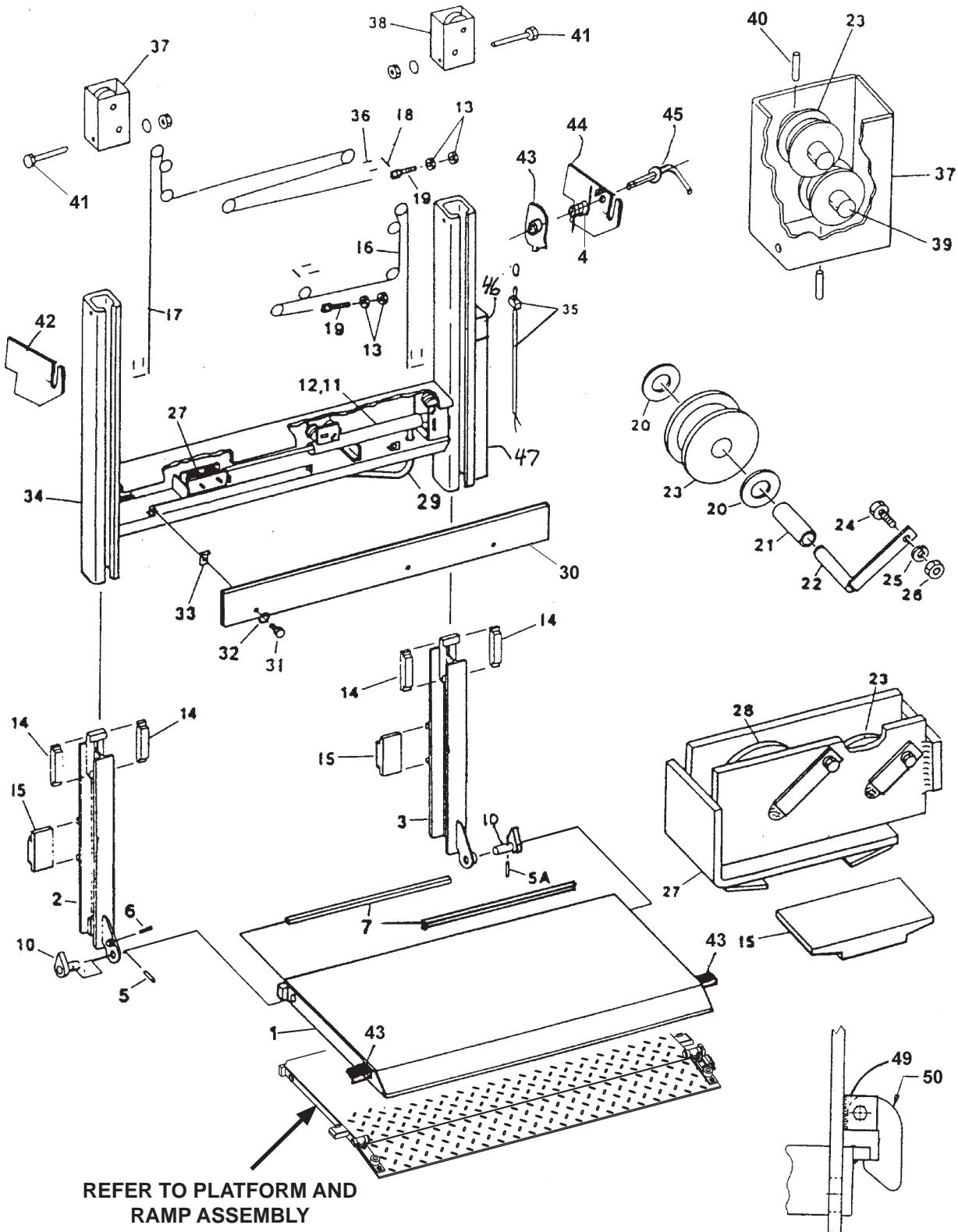


ITEM	QTY.	PART NO.	DESCRIPTION
26	7	030306	HEX NUT, 1/4"-20
27	1	226849	DRIVE CARRIAGE WELDMENT
28	2	223672-01	SHEAVE ASSEMBLY, 3" DIA.
29	1	800234-02	HOSE, 1/4" X 48" LG.
30	1	224508	COVER, CYLINDER 96" W BODY
		226847	COVER, CYLINDER 90" W BODY
		226779	COVER, CYLINDER 84" W BODY
31	3	030014	HEX BOLT, 5/16-18 X 5/8" LG.
32	3	030554	LOCKWASHER, 5/16" I.D.
33	3	203877	NUT RETAINER
34	1	226832-01	COLUMN WELDMENT 96" LG.
		226832-02	COLUMN WELDMENT 90" LG.
		226832-03	COLUMN WELDMENT 84" LG.
35	1	224670	ELECTRICAL HARNESS & SWITCH ASSY
36	8	226855	COTTER PIN, 1/16" DIA. X 1-1/2" LG.
37	1	252461	BRACKET, STOP, LH
38	1	252467	LOCKING BRACKET
39	1	252466	BRACKET, STOP, R.H.
40	4	252473	HANDLE
41	1	251711	BRACKET, SWITCH
42	1	251028	CHANNEL
43	2	252464	PLATFORM STOP
44	2	250265	BRACKET
45	1	250266	RETAINER

RCM-1600C AB

MAXON

11921 Slauson Ave. Santa Fe Springs, CA. 90670 (800) 227-4116 FAX (888) 771-7713



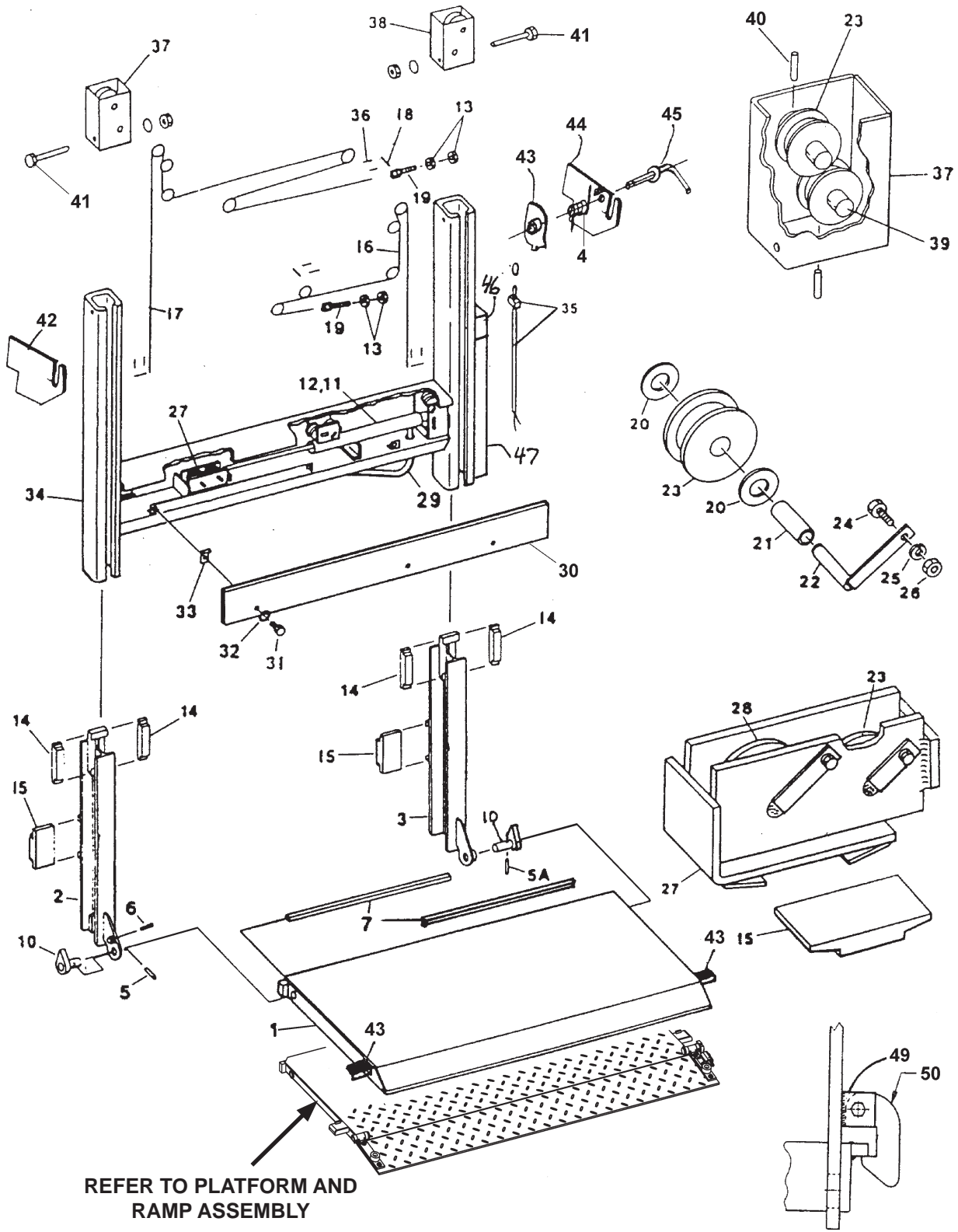
REFER TO PLATFORM AND RAMP ASSEMBLY

ITEM	QTY.	PART NO.	DESCRIPTION
1	1	252984-02	PLATFORM WELD'T (30"+6") 96" W BODY
		252984-01	PLATFORM WELD'T (30"+6") 90" W BODY
		252984-03	PLATFORM WELD'T (30"+6") 84" W BODY
2	1	226663-01	RUNNER ASSEMBLY, L.H.
3	1	226663-02	RUNNER ASSEMBLY, R.H.
4	1	252460	SPRING
5	1	221497	ROLL PIN, 3/8" X 1-1/2" LG.
5A	1	221416	ROLL PIN, 3/8" X 2" LG.
6	1	224576	HEX SOCKET SET SCREW
7	2	252999	TORSION BAR
8			NOT USED
9			NOT USED
10	2	224470	HINGE PIN WELDMENT
11	1	226918	HYDRAULIC CYLINDER, 2" X 28" STROKE
12	1	225823	SEAL KIT, HYDRAULIC CYLINDER
13	4	030327	JAM NUT, 1/2-20
14	4	226772	PAD SLIDER
15	3	227350	PAD SLIDER
16	1	226916-05	LEAF CHAIN, R.H.
17	1	226916-06	LEAF CHAIN, L.H. 96" W BODY
		226916-07	LEAF CHAIN, L.H. 90" W BODY
		226916-08	LEAF CHAIN, L.H. 84" W BODY
18	4	226854-03	PIN, LEAF CHAIN
19	2	226931-02	ADJUSTING SCREW
20	12	224337	BEARING, THRUST TYPE
21	6	224338	BEARING, PLAIN CYLINDRICAL TYPE
22	7	224670	SHAFT WELDMENT
23	6	223672-02	SHEAVE ASSEMBLY, 2" DIA.
24	7	030707	HEX BOLT, 1/4"-20 X 3/4" LG.
25	9	030351	LOCKWASHER, 1/4" I.D.

RCM-1600C AB - Continued

MAXON

11921 Slauson Ave. Santa Fe Springs, CA. 90670 (800) 227-4116 FAX (888) 771-7713

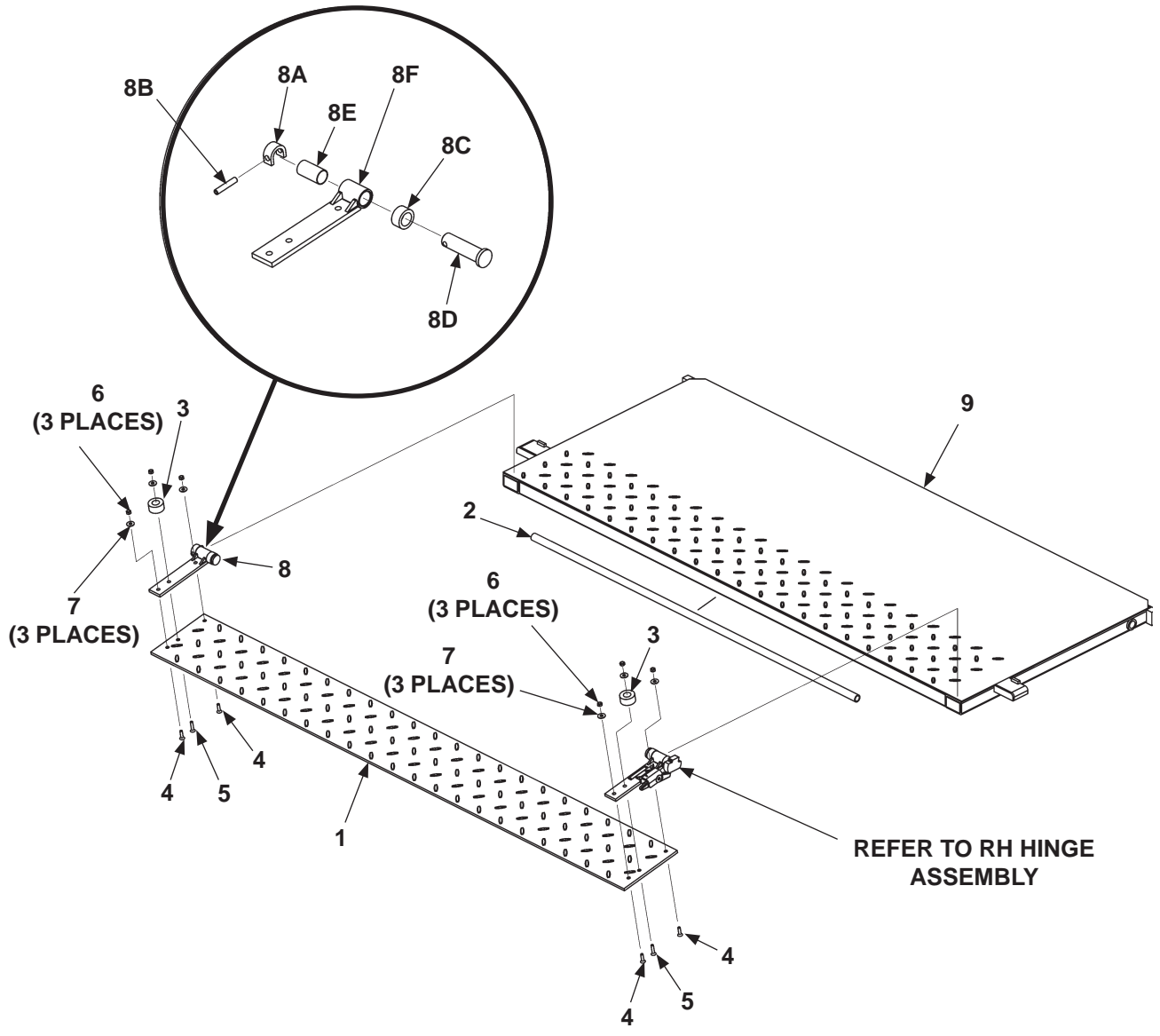


ITEM	QTY.	PART NO.	DESCRIPTION
26	9	030306	HEX NUT, 1/4"-20
27	1	226849	DRIVE CARRIAGE WELDMENT
28	2	223672-01	SHEAVE ASSEMBLY, 3" DIA.
29	1	800234-02	HOSE, 1/4" X 48" LG.
30	1	224508	COVER, CYLINDER 96" W BODY
		226847	COVER, CYLINDER 90" W BODY
		226779	COVER, CYLINDER 84" W BODY
31	3	030014	HEX BOLT, 5/16-18 X 5/8" LG.
32	3	030554	LOCKWASHER, 5/16" I.D.
33	3	203877	NUT RETAINER
34	1	226831-01	COLUMN WELDMENT 96" LG.
		226831-02	COLUMN WELDMENT 90" LG.
		226831-03	COLUMN WELDMENT 84" LG.
35	1	224670	ELECTRICAL HARNESS & SWITCH ASSY
36	8	226855	COTTER PIN, 1/16" DIA. X 1-1/2" LG.
37	1	225033-01	UPPER PULLEY SUPPORT WELDMENT, L.H.
38	1	225033-02	UPPER PULLEY SUPPORT WELDMENT, R.H.
39	4	224479	UPPER PULLEY SHAFT
40	4	030410	ROLL PIN, 1/4" DIA
41	2	225028	HEX HEAD BOLT, 1/4"-20 X 5" LG.
42	1	252461	BRACKET, STOP, LH
43	1	252467	LOCKING BRACKET
44	1	252466	BRACKET, STOP, RH
45	1	252473	HANDLE
46	1	251711	BRACKET SWITCH
47	1	251028	CHANNEL
48	2	252464	PLATFORM STOP
49	2	250265	BRACKET
50	1	250266	RETAINER

PLATFORM & RAMP ASSEMBLY

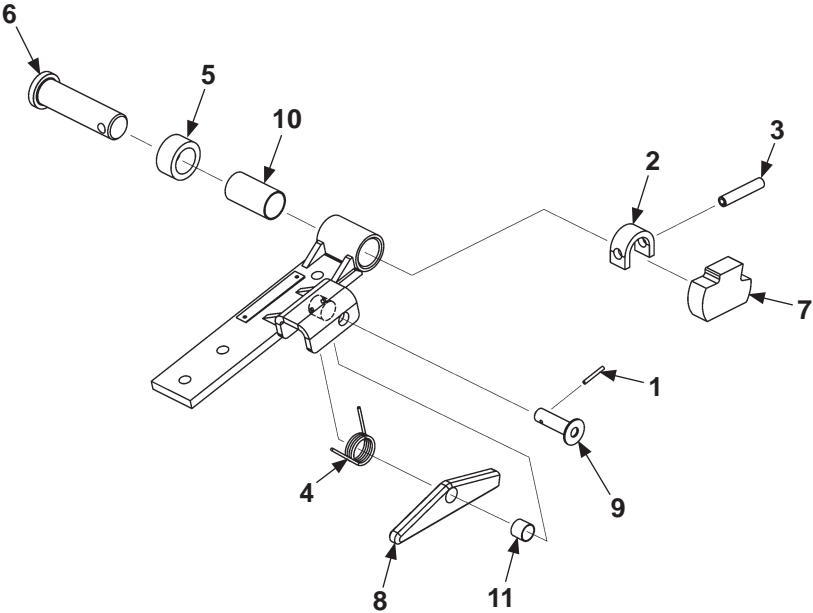
MAXON®

11921 Slauson Ave. Santa Fe Springs, CA. 90670 (800) 227-4116 FAX (888) 771-7713



ITEM	QTY.	PART NO.	DESCRIPTION
1	1	260449-01	ALUMINUM RAMP 3/8 " X 10" X 81-3/4" LG.
		260449-02	ALUMINUM RAMP 3/8 " X 10" X 87-3/4" LG.
		260449-03	ALUMINUM RAMP 3/8 " X 10" X 76-3/4" LG.
2	1	225985	PIPE, SCH-80, 3/4" X 60" LG.
3	1	253516	BUMPER, 1" X 2" DIA.
4	4	900061-5	FLAT HEAD SCREW, 3/8"-16 X 1-1/4" LG.
5	6	900061-6	FLAT HEAD SCREW, 3/8"-16 X 1-1/2" LG.
6	6	030955	NUT, 3/8"-16, SELF LOCKING
7	6	030556	FLAT WASHER, 3/8"
8	1	253876	LH HINGE ASSEMBLY
8A	1	078202	PIN COLLAR, 3/4" X 1-1/2" O.D.
8B	1	221416	ROLL PIN, 3/8" X 2" LG.
8C	1	253517	BUSHING, 3/4"
8D	1	253528	PIN
8E	1	253541	BEARING, 1" X 2" LG, SELF LUBE
8F	REF.	253878	HINGE ARM WELDMENT, LH
9	1	260447-01	PLATFORM 80" LG.
		260447-02	PLATFORM 91" LG.
		260447-03	PLATFORM 84" LG.

RH HINGE ASSEMBLY



MAXON[®]

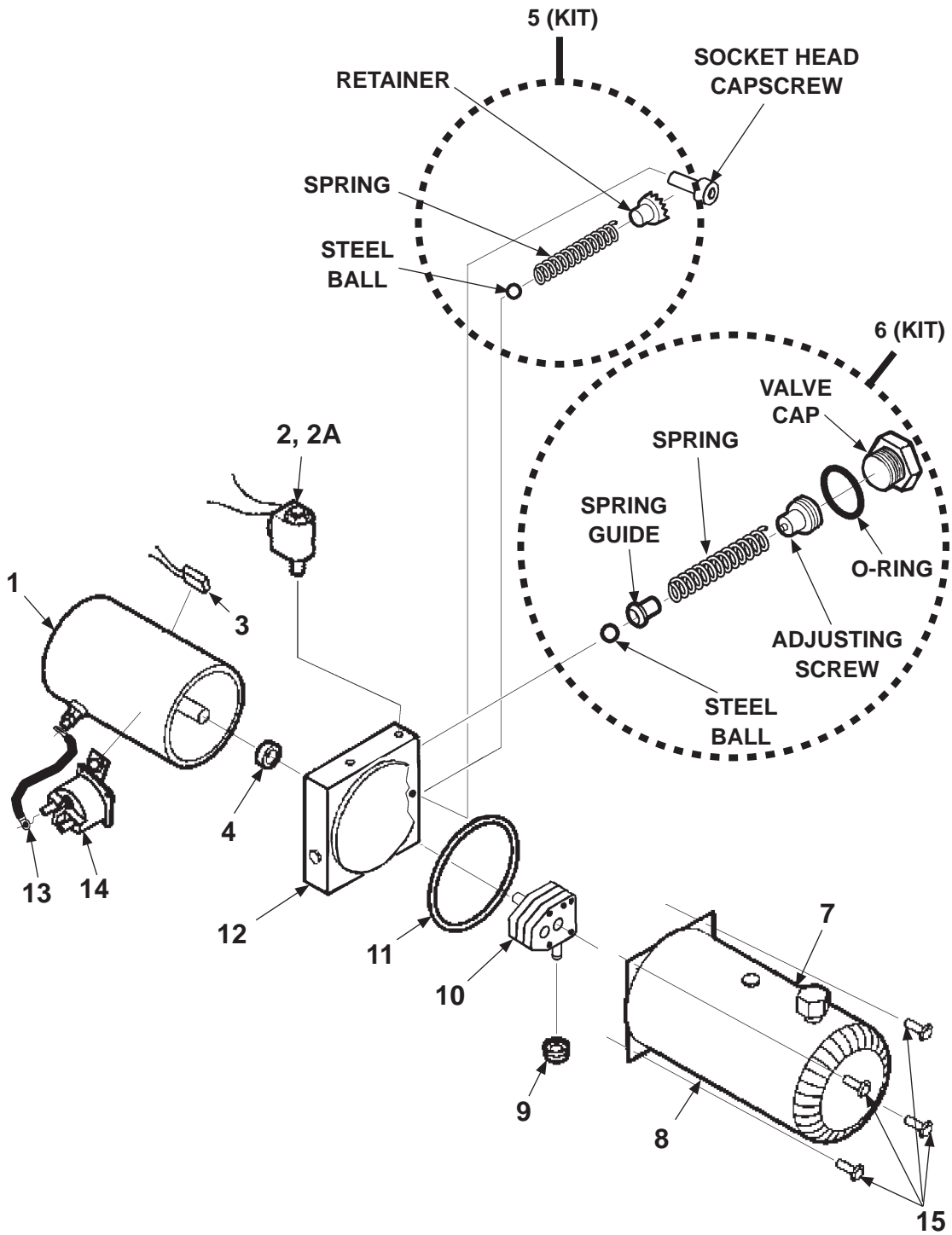
11921 Slauson Ave. Santa Fe Springs, CA. 90670 (800) 227-4116 FAX (888) 771-7713

ITEM	QTY.	PART NO.	DESCRIPTION
REF.	1	253877	RH HINGE ASSEMBLY
1	1	030406	ROLL PIN, 1/8" X 1" LG.
2	1	078202	PIN COLLAR, 3/4" X 1-1/2" O.D.
3	1	221416	ROLL PIN, 3/8" X 2" LG.
4	1	252460	TORSION SPRING
5	1	253517	BUSHING, 3/4"
6	1	253528	PIN
7	1	253533	LOCKING CAM
8	1	253537	LOCKING ARM WELDMENT
9	1	253538	PIN WELDMENT
10	1	253541	BEARING, 1" X 2" LG, SELF LUBE
11	1	253542	BEARING, 1/2" X 1/2" LG, SELF LUBE

PUMP ASSEMBLY 12 VOLT (GRAVITY DOWN)

MAXON[®]

11921 Slauson Ave. Santa Fe Springs, CA. 90670 (800) 227-4116 FAX (888) 771-7713

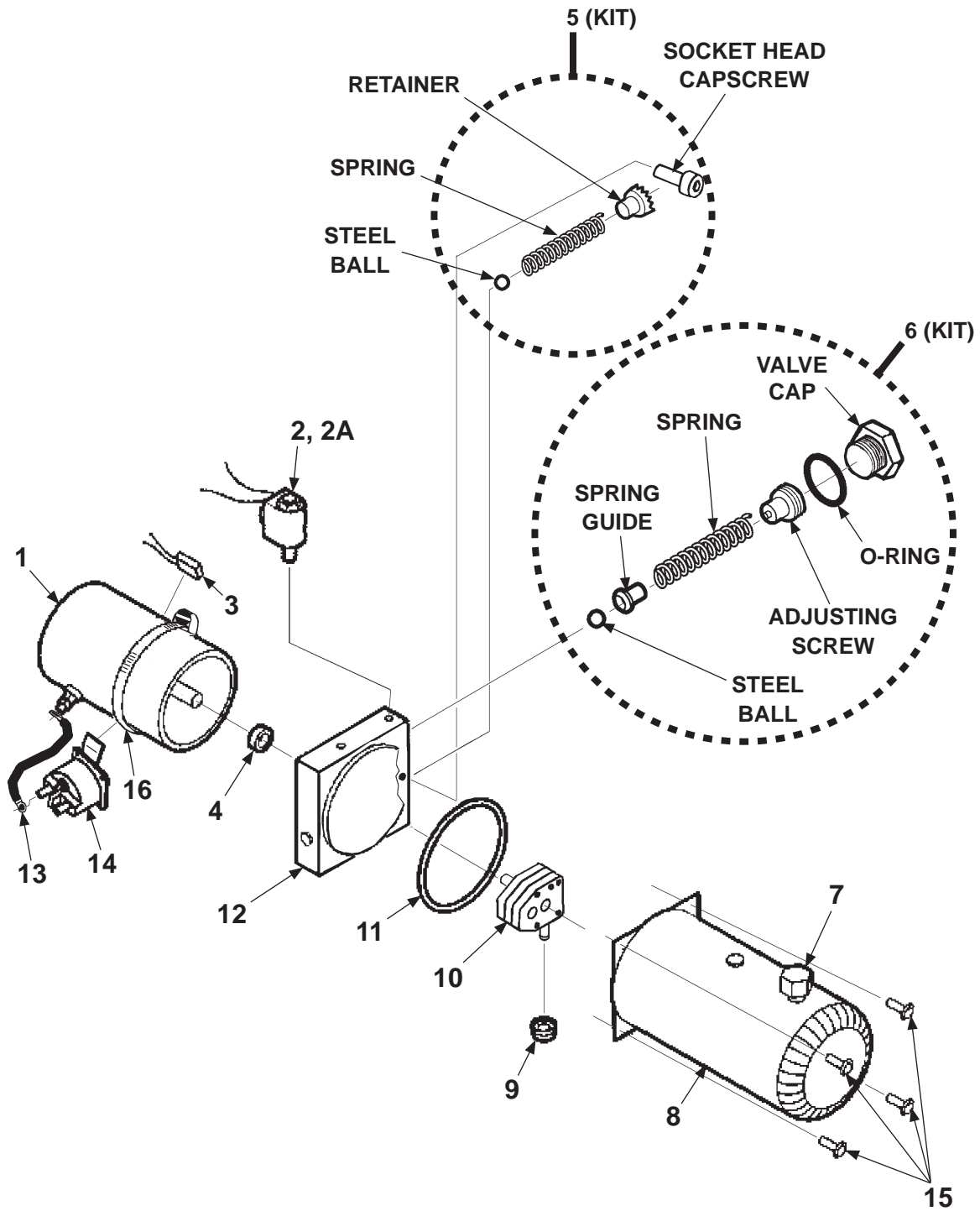


ITEM	QTY.	PART NUMBER	DESCRIPTION
REF	1	250100	PUMP, 12 VOLTS
1	1	229272	MOTOR, 12 VOLTS DC
2	1	253353	VALVE, SOLENOID 2-WAY, 12 VOLTS DC
2A	1	226594	O-RING KIT, 2-WAY VALVE (NOT SHOWN)
3	1	REF	THERMAL SWITCH
4	1	260261	OIL SEAL
5	1	251885	CHECK VALVE KIT
6	1	260229	RELIEF VALVE KIT
7	1	229193	FILLER / BREATHER CAP
8	1	251882	RESERVOIR, 3 QT.
9	1	260250	INLET FILTER
10	1	251881	PUMP ASSEMBLY (CAST IRON)
		290001	PUMP ASSEMBLY (3-PIECE)
11	1	251884	O-RING
12	1	260236	DRIVE PLATE ASSEMBLY, 5"
13	1	280404	CABLE (MOTOR)
14	1	284080-01	STARTER SOLENOID, 12 VOLTS DC
15	4	229202	CAP SCREW, HEX WASHER HEAD

MAXON[®]

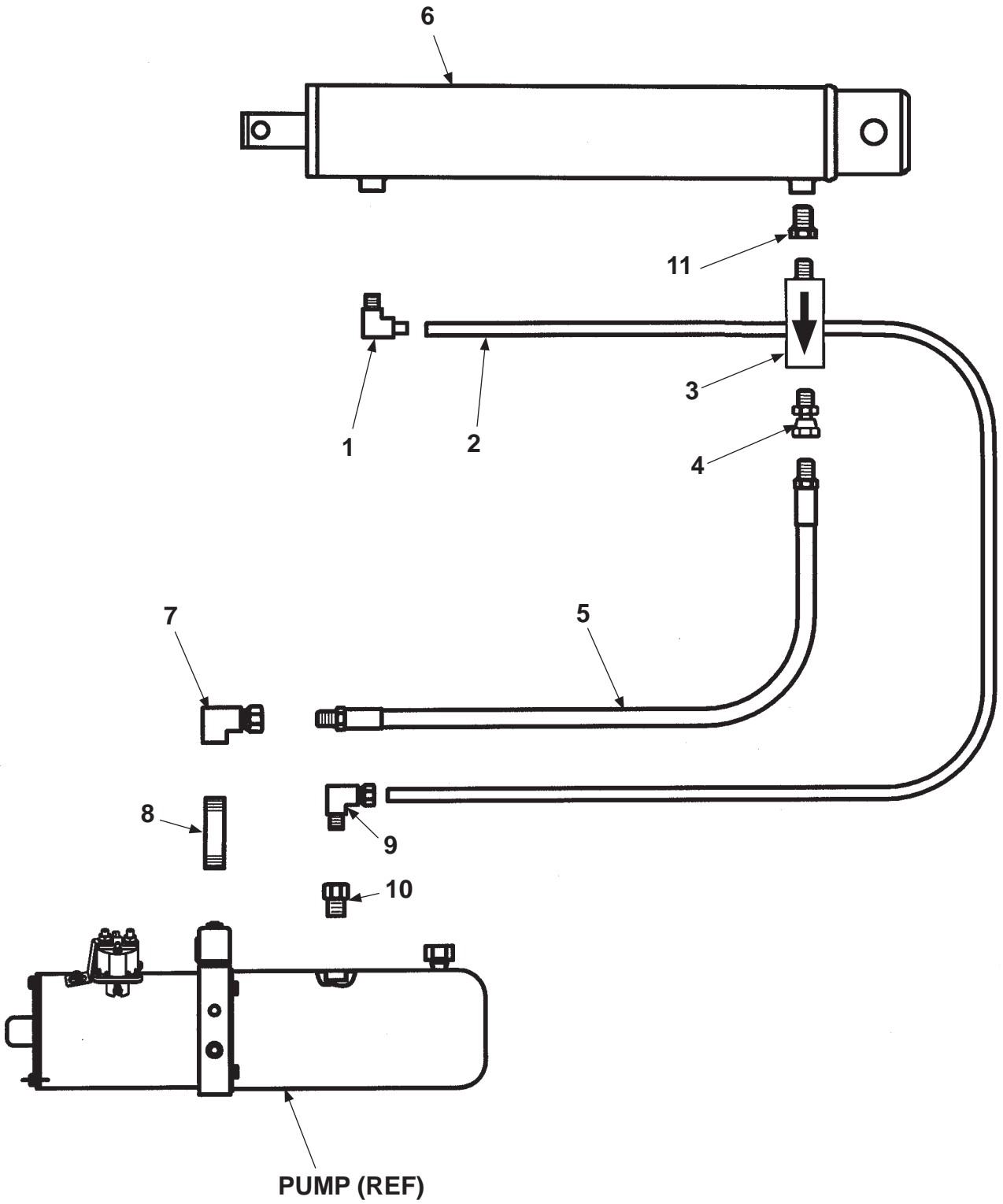
11921 Slauson Ave. Santa Fe Springs, CA. 90670 (800) 227-4116 FAX (888) 771-7713

PUMP ASSEMBLY 24 VOLT (GRAVITY DOWN)



ITEM	QTY.	PART NUMBER	DESCRIPTION
REF	1	250100-24	PUMP, 24 VOLTS
1		281573-01	MOTOR, 24 VOLTS DC
2		290079	VALVE, SOLENOID 2-WAY, 24 VOLTS DC
2A	1	226594	O-RING KIT, 2-WAY VALVE (NOT SHOWN)
3	1	REF	THERMAL SWITCH
4	1	260261	OIL SEAL
5	1	251885	CHECK VALVE KIT
6	1	260229	RELIEF VALVE KIT
7	1	229193	FILLER/BREATHER CAP
8	1	251882	RESERVOIR, 3 QT.
9	1	260250	INLET FILTER
10	1	251881	PUMP ASSEMBLY (CAST IRON)
		290001	PUMP ASSEMBLY (3-PIECE)
11	1	251884	O-RING
12	1	260236	DRIVE PLATE ASSEMBLY, 5"
13	1	262966	CABLE
14	1	282278-01	STARTER SOLENOID, 24 VOLTS DC
15	4	229202	CAP SCREW, HEX WASHER HEAD
16	1	268019-01	CLAMP BAND

HYDRAULIC COMPONENTS



MAXON®

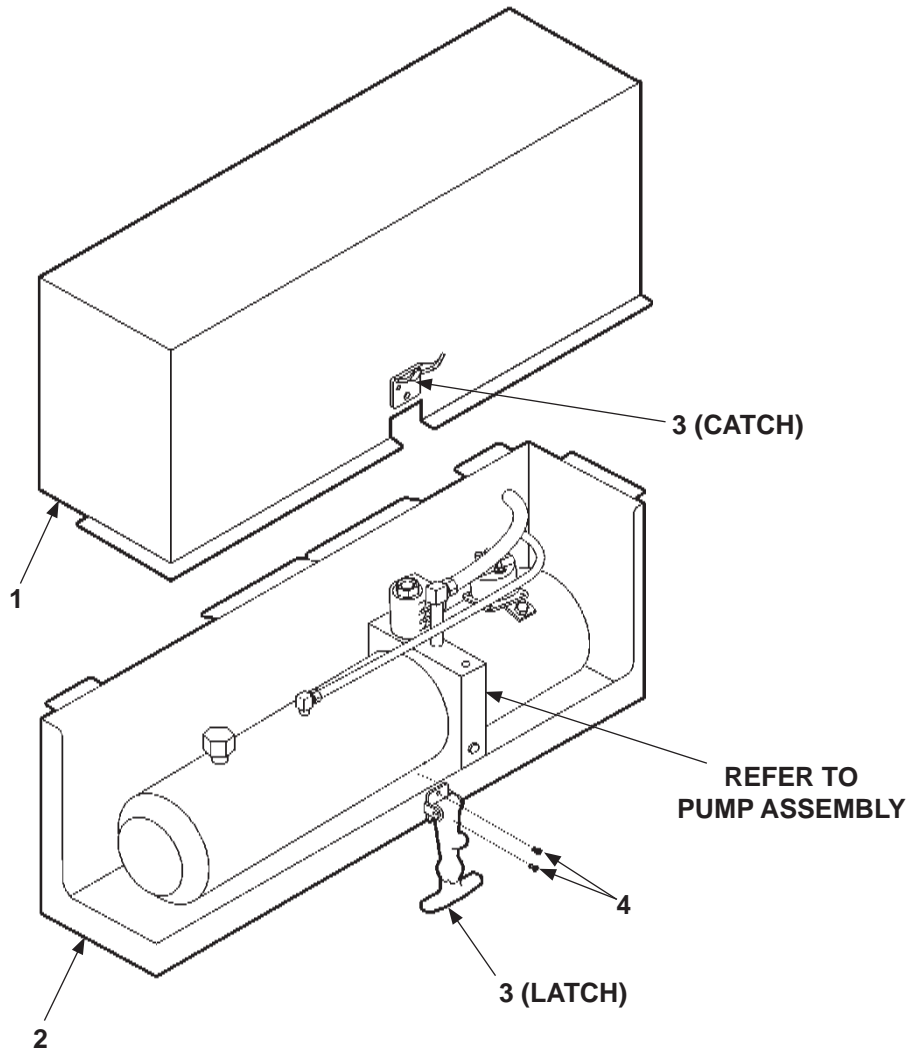
11921 Slauson Ave. Santa Fe Springs, CA. 90670 (800) 227-4116 FAX (888) 771-7713

ITEM	QTY.	PART NO.	DESCRIPTION
1	1	202141	ELBOW BRASS, 1/4" X 1/8"
2	1	224370-11	PLASTIC HOSE, 87" LG.
3	1	251739	VALVE, FLOW CONTROL 2 GPM
4	1	228151	STRAIGHT SWIVEL 3/8-18 F-M
5	1	226948-18	HOSE, 3/8" X 47-1/2" LG
6	1	252002	CYLINDER, 2" DIA. X 28" STROKE
7	1	228950	ELBOW, 3/8F-3/8F
8	1	030304	NIPPLE PIPE, 3/8" X 2-1/2" LG.
9	1	202406	ELBOW BRASS, 1/4" X 1/4"
10	1	800183	BUSHING, 3/8" X 1/4"
11	1	906714-01	ADAPTER. 3/8"F

MAXON®

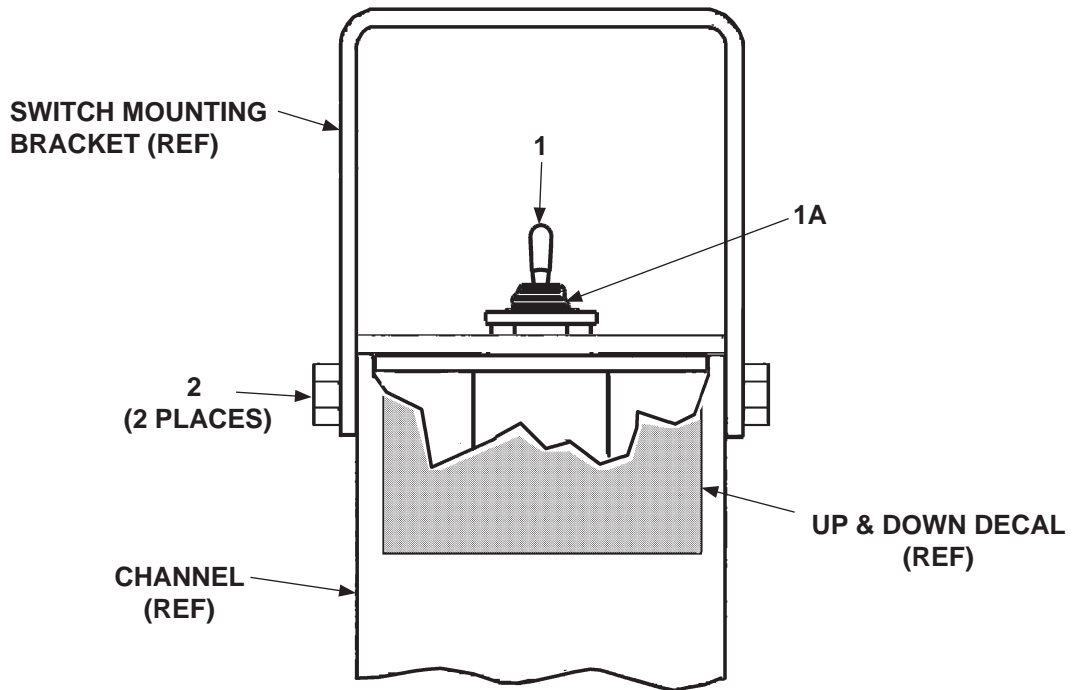
11921 Slauson Ave. Santa Fe Springs, CA. 90670 (800) 227-4116 FAX (888) 771-7713

PUMP BOX ASSEMBLY



ITEM	QTY.	PART NO.	DESCRIPTION
REF	1	251741	PUMP BOX ASSEMBLY
1	1	260108	PUMP BOX COVER
2	1	260109	PUMP BOX
3	1	215139	CATCH AND FASTENER (WITH LATCH)
4	2	207645	POP RIVETS, 3/16" X 5/8" LG.

CONTROL SWITCH



ITEM	QTY.	PART NO.	DESCRIPTION
1	1	250916	ELECTRICAL HARNESS & SWITCH ASSEMBLY
1A	1	905206	SWITCH SEAL BOOT
2	2	030458	SCREW, TAPPING, #10 X 1/2" LG.

DECALS

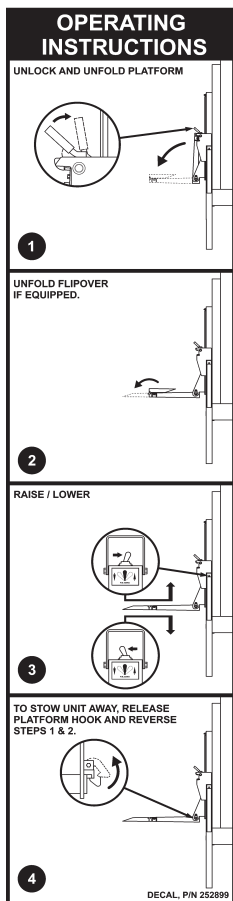
NOTE: Ensure there is no residue, dirt, or corrosion where decals are attached. If necessary, clean surface before attaching decals.

MAXON

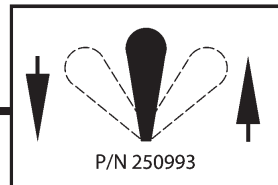
11921 Slauson Ave. Santa Fe Springs, CA. 90670 (800) 227-4116 FAX (888) 771-7713



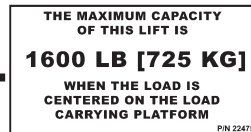
MAXPRO DECAL
P/N 265388-01



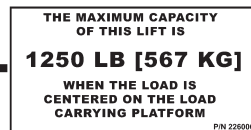
INSTRUCTION DECAL
P/N 252899



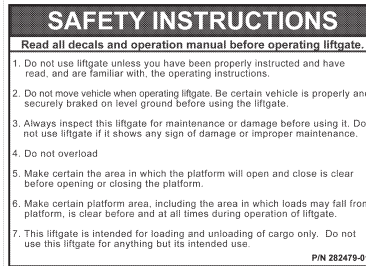
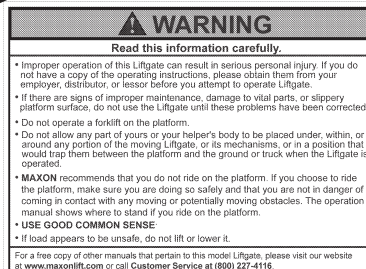
CONTROL SWITCH DECAL
P/N 250993



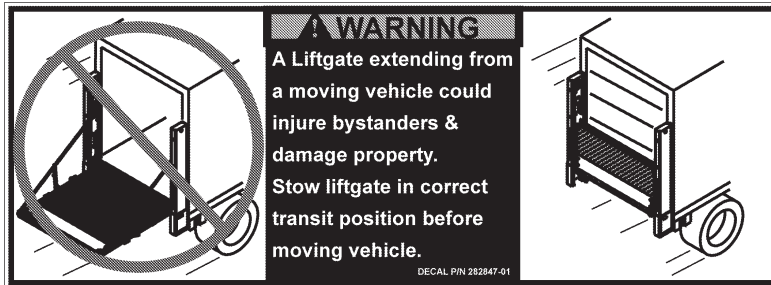
CAPACITY DECAL (RCM-1600 ONLY)
P/N 224751



CAPACITY DECAL (RCM-1250 ONLY)
P/N 226006



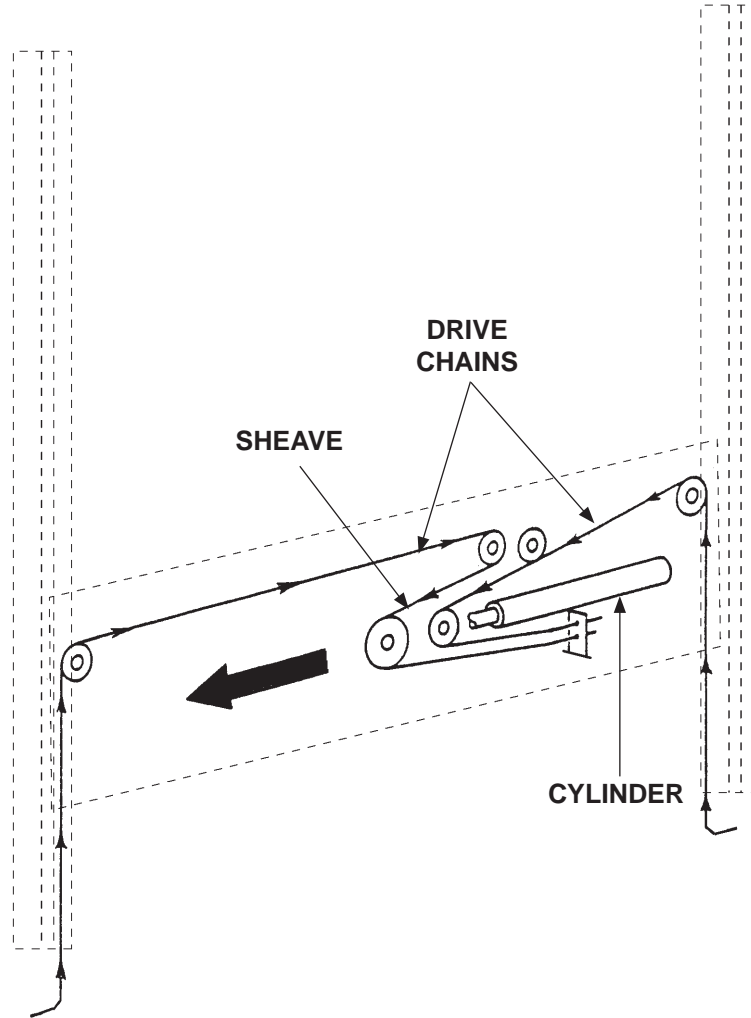
WARNING DECAL
P/N 282479-01



WARNING DECAL
P/N 282847-01

DRIVE CHAIN SYSTEM DIAGRAM

If the drive chains or related parts are removed, route the chains as shown in **FIG. 45-1**. Refer to the **PARTS BREAKDOWN** section for the correct parts. The illustration also shows the motion of the hydraulic cylinder, sheaves (pulleys), and drive chains while the Platform is being raised.

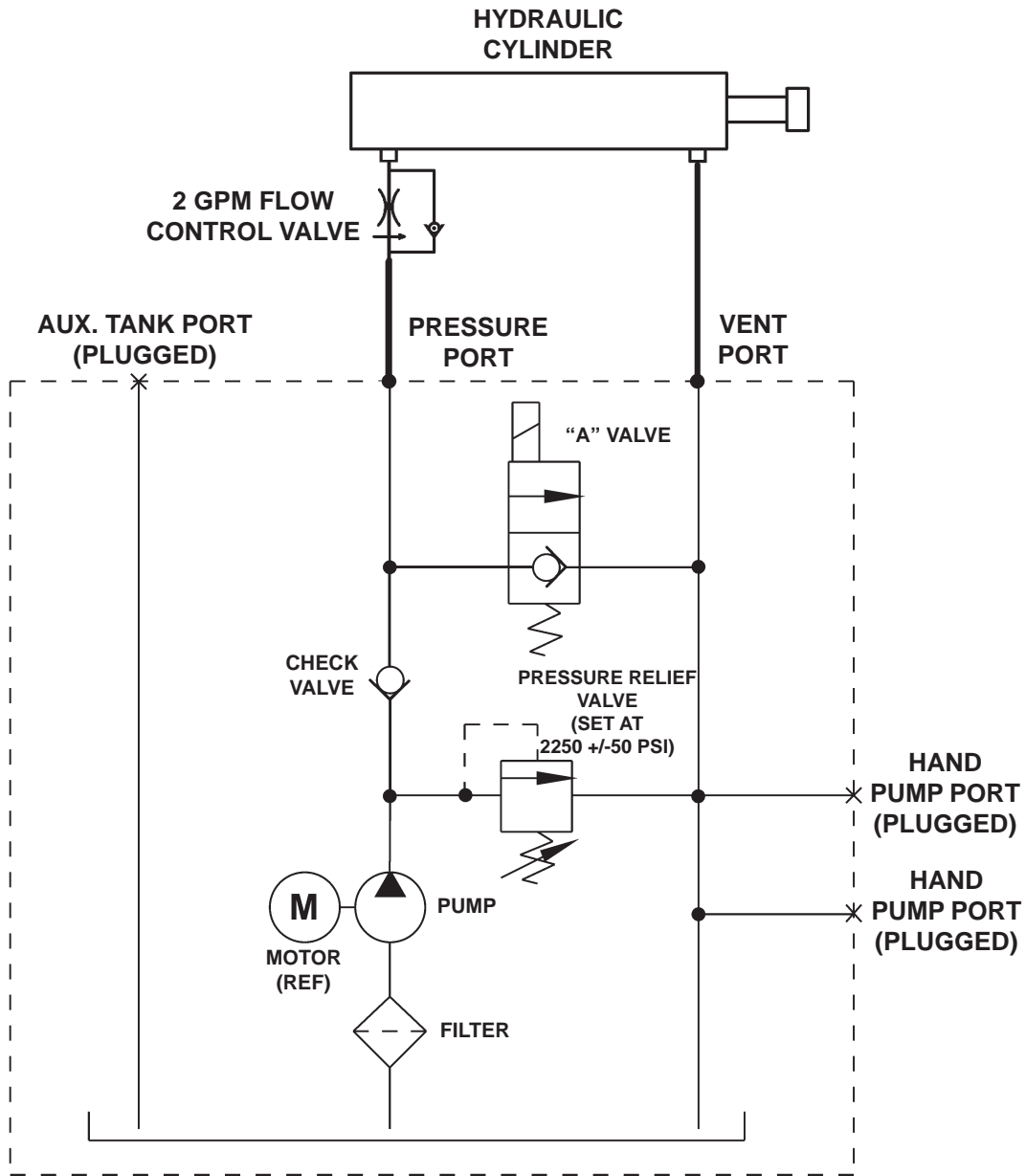


**DRIVE CHAIN ROUTING & MOTION
FOR RAISING PLATFORM
FIG. 45-1**

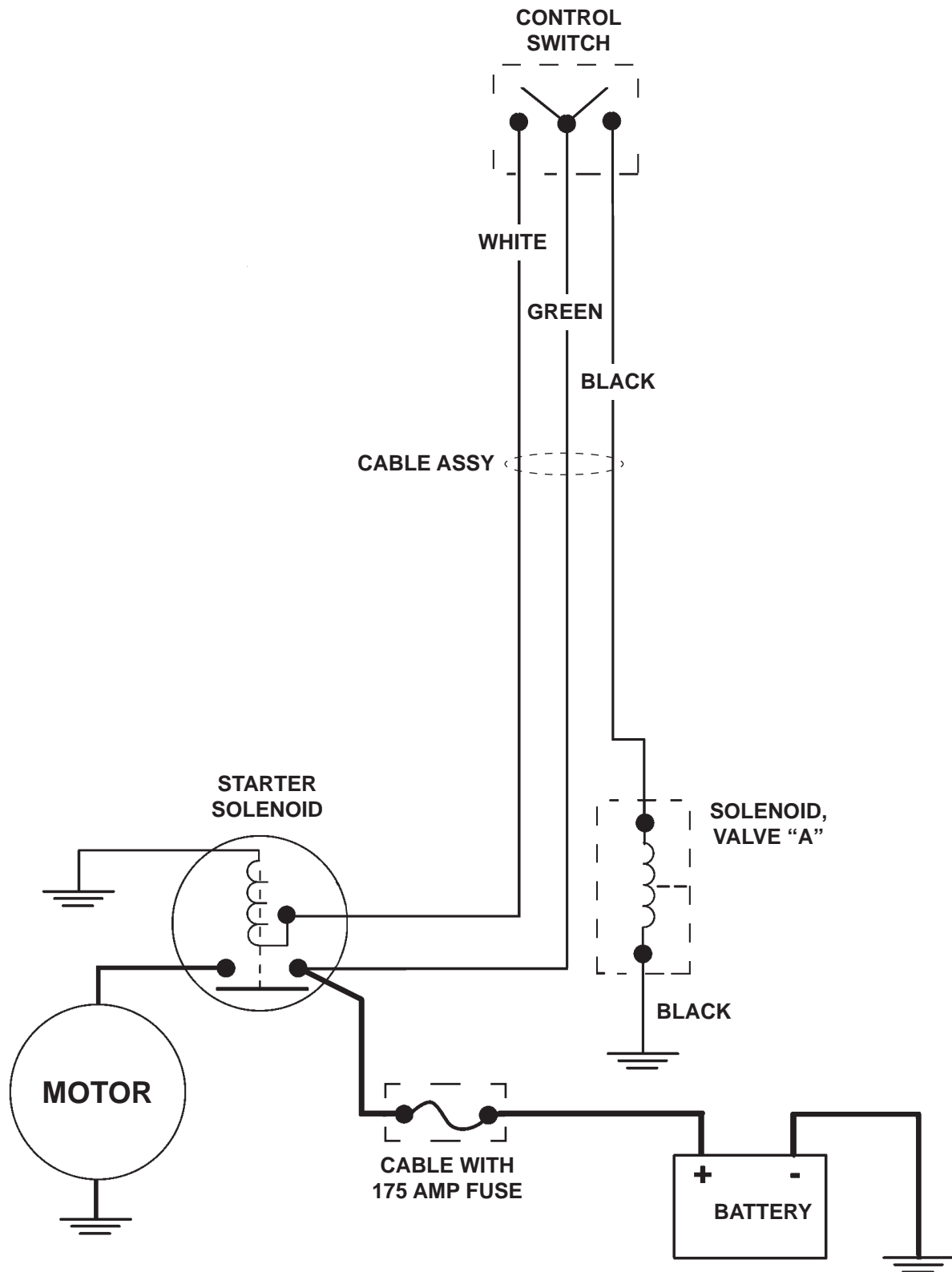
HYDRAULIC SYSTEM DIAGRAM

MAXON[®]

11921 Slauson Ave. Santa Fe Springs, CA. 90670 (800) 227-4116 FAX (888) 771-7713



ELECTRICAL SYSTEM DIAGRAM



MAXON® 11921 Slauson Ave. Santa Fe Springs, CA. 90670 (800) 227-4116 FAX (888) 771-7713

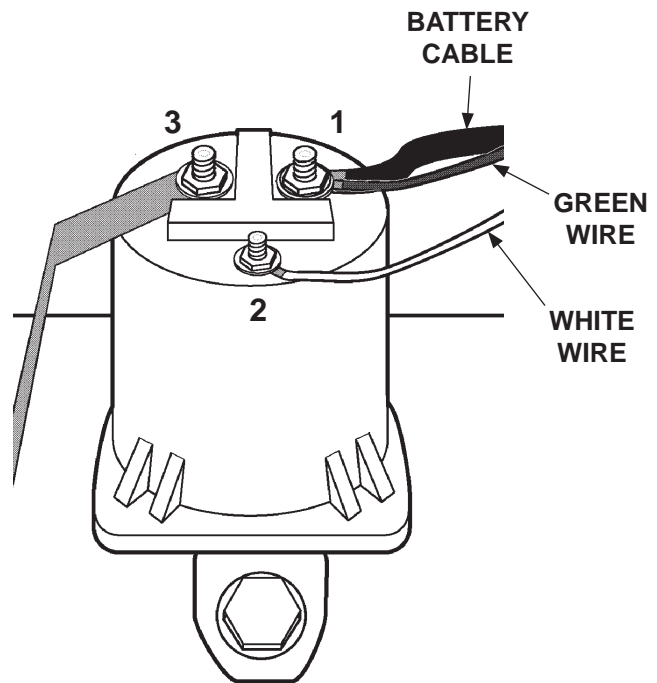
TROUBLESHOOTING

PLATFORM WILL NOT RAISE, MOTOR WILL NOT RUN

1. Check battery voltage at terminal #1 (**FIG. 48-1**). If voltage is less than 12 volts re-charge battery.
2. Touch a jumper wire on terminals #1 and #2 (**FIG. 48-1**). If motor runs check switch, switch connections and white wire. Correct connections or replace switch.
3. Touch heavy jumper cable to terminals #1 and #3 (**FIG. 48-1**).

If motor runs, replace motor solenoid.

If motor does not run, repair or replace motor.

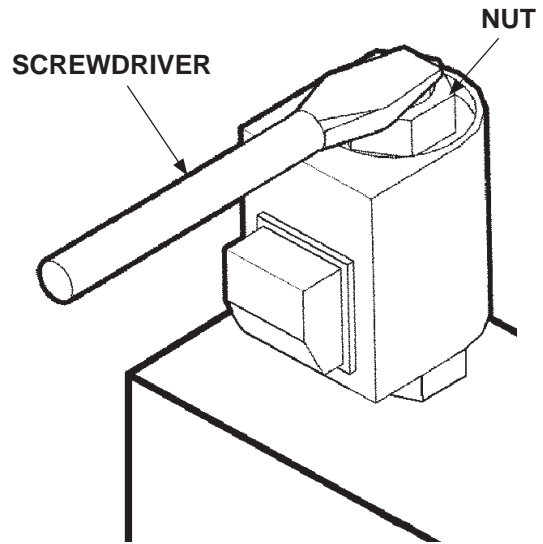


**WIRING CONNECTIONS ON
STARTER SOLENOID
FIG. 48-1**

PLATFORM WILL NOT LOWER

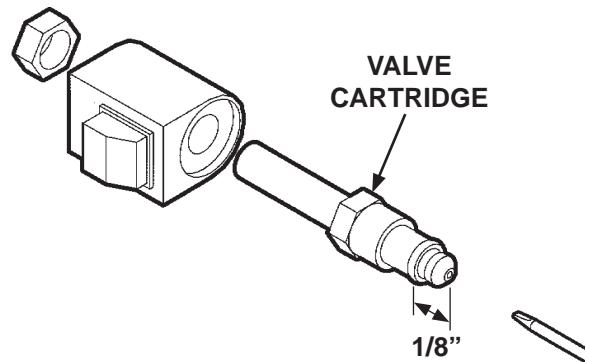
4. At "DOWN" valve on top of pump, check if coil was 12 volts when "DOWN" switch is activated. If voltage is low, recharge battery. If no voltage is at coil, check connections on black wire and switch. If switch is defective, replace switch. Check battery, recharge or replace.

5. To check "DOWN" valve coil, hold screw driver 1/8" from nut at end of coil (**FIG. 49-1**). Activate switch, if screw driver is drawn to nut - coil is good. If not, coil must be replaced.



**CHECKING SOLENOID WITH
SCREWDRIVER
FIG. 49-1**

6. The small plunger inside the valve may be stuck. Remove coil, and "DOWN" valve, insert a small rod inside the valve (**FIG. 49-2**). Plunger should move 1/8" inch. If plunger is stuck, wash in solvent. If plunger remains stuck, replace valve.



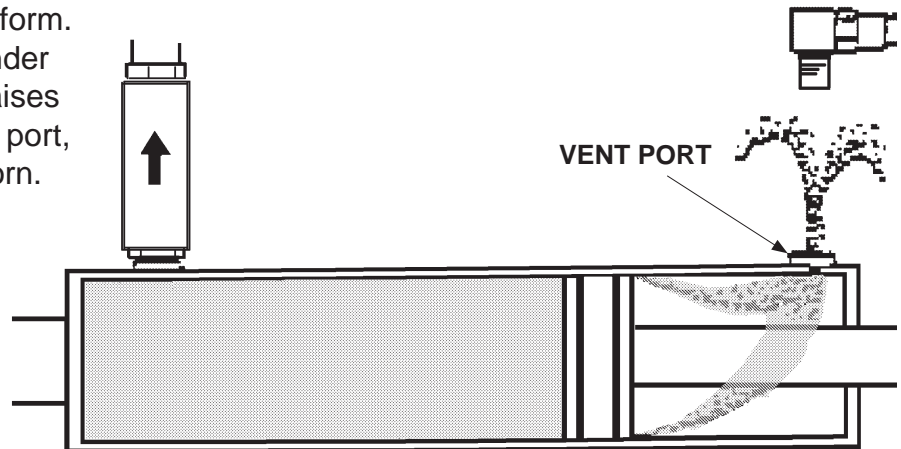
**CHECKING VALVE
FIG. 49-2**

TROUBLESHOOTING PLATFORM RAISES, BUT LEAKS DOWN

7. Check "DOWN" valve as noted in paragraph 6.
8. Check hydraulic cylinder.

With platform on ground, disconnect vent line from butt end of cylinder (FIG. 50-1). Operate control switch to raise platform. Observe vent port on cylinder (FIG. 50-1). As platform raises if oil sprays or spurts from port, this indicates seals are worn.

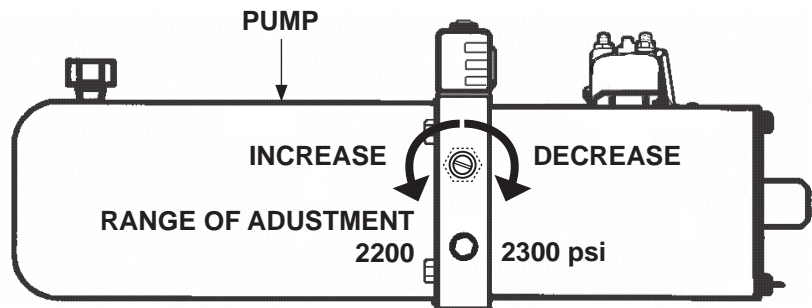
Refer to seal kits in parts section.



**DISCONNECTING LINE FROM VENT PORT
FIG. 50-1**

PLATFORM RAISES, BUT WILL NOT LIFT RATED CAPACITY

9. Adjust relief valve on top of pump (FIG. 50-2). With platform on ground, remove hose and install a pressure gauge (0-3000 psi). Activate "UP" switch and turn relief valve clockwise until gauge shows 2250 +/- 50 psi.
10. Check hydraulic cylinder per paragraph 8.
11. If pump cannot produce 2200 to 2300 psi (FIG. 50-2) and a minimum of 12 volts are available, pump is worn and requires replacement.



**ADJUSTING RELIEF VALVE
FIG. 50-2**

