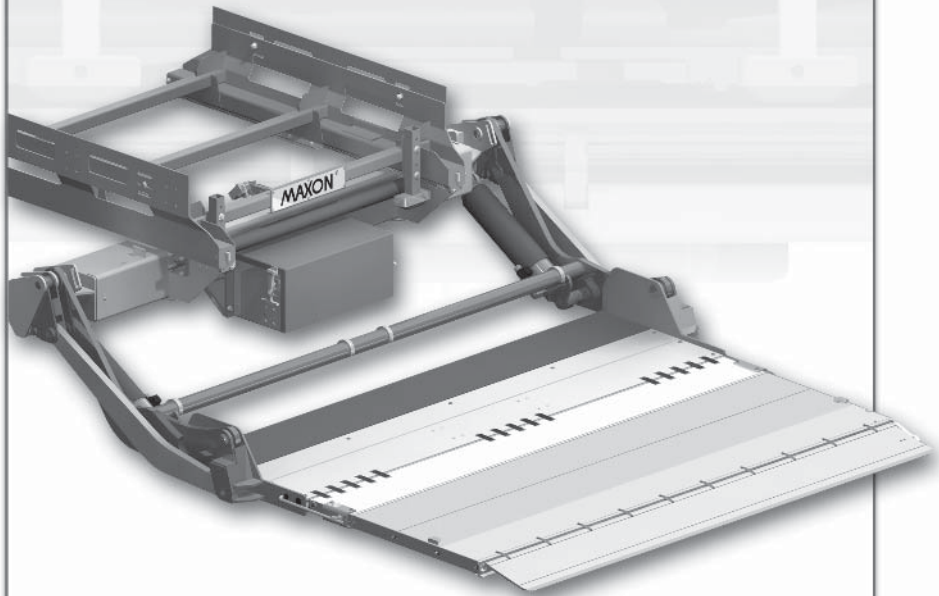


M-08-13  
REV. C  
MARCH 2011



# MAXON<sup>®</sup> GPSLR Series

## OPERATION MANUAL GPSLR-33 & GPSLR-44



© MAXON Lift Corp. 2011

**KEEP THIS MANUAL IN CAB OF VEHICLE**

Register your liftgate on line at [www.maxonlift.com/htm/services/reg.htm](http://www.maxonlift.com/htm/services/reg.htm).

For a free copy of other manuals that pertain to these liftgate models, please visit our website at [www.maxonlift.com](http://www.maxonlift.com) or call Customer Service at (800) 227-4116.



# TABLE OF CONTENTS

<b>WARNINGS</b> .....	<b>4</b>
LIFTGATE TERMINOLOGY .....	5
<b>RECOMMENDED DAILY OPERATION CHECKS</b> .....	<b>6</b>
DECALS (WITH SMART STOW) .....	8
DECALS (WITHOUT CONTROLLER) .....	10
FORKLIFT ADVISORY .....	14
<b>ROADSIDE OPERATION ADVISORY</b> .....	<b>15</b>
<b>OPERATION</b> .....	<b>16</b>
WITH SMART STOW .....	16
WITH NO CONTROLLER .....	20
<b>LOADING OR UNLOADING PLATFORM</b> .....	<b>28</b>

## **WARNING**

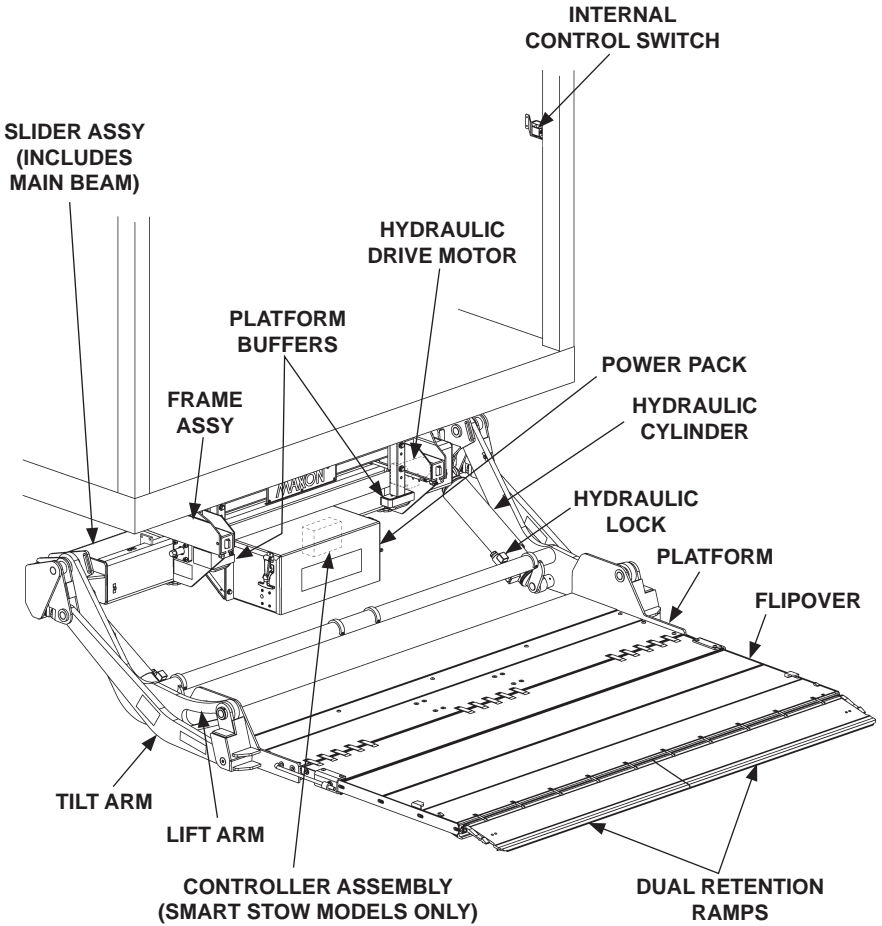
1. Incorrect operation of this Liftgate can result in serious personal injury. Comply with **WARNINGS** and Liftgate operating instructions in this manual. Do not allow untrained persons or children to operate the Liftgate. If you need to replace an **Operation Manual**, additional copies are available from:

**MAXON Lift Corp.**  
**11921 Slauson Ave**  
**Santa Fe Springs, CA 90670**  
**(800) 227-4116**

**NOTE:** For latest version manuals (and replacements), download manuals from Maxon's website at **[www.maxonlift.com](http://www.maxonlift.com)**.

2. Do not exceed rated load capacity of the Liftgate, which is **3300 lbs. for the GPSLR-33 and 4400 lbs. for the GPSLR-44.**
3. Do not allow any part of your body to be placed under, within, or around any portion of the moving Liftgate or its mechanisms, or in a position that would trap them between the platform and the floor of truck body (or between platform and the ground) when Liftgate is operating.
4. Consider the safety and location of bystanders and location of nearby objects when operating the Liftgate. Stand to one side of platform while operating the Liftgate. Be certain that the area the Liftgate will move through during operation is clear of all obstacles.
5. Comply with all attached instruction decals and warning decals.
6. Keep decals clean and legible. If decals are illegible or missing, have them replaced. **Get free replacement decals from Maxon.**
7. **Never drive a forklift on the Liftgate platform.**
8. Do not move vehicle unless Liftgate is correctly stowed.
9. **Correctly stow platform when not in use. Extended platforms could create a hazard for people and vehicles passing by.**
10. A correctly installed Liftgate will operate smoothly and reasonably quiet. The only noticeable noise, during Liftgate operation, is from the power unit while the platform is raised. Listen for scraping, grating and binding noises and have the problem corrected before continuing to operate the Liftgate.
11. Above all, **USE GOOD COMMON SENSE** when operating the Liftgate.
12. Never use a cell phone while operating the Liftgate.

# LIFTGATE TERMINOLOGY



# RECOMMENDED DAILY OPERATION CHECKS

**NOTE:** Before you check the Liftgate, park vehicle on flat ground and set the parking brake.

**NOTE:** If any of the following operation checks reveal a need to service or repair Liftgate, do not operate the Liftgate until a qualified mechanic services or repairs the Liftgate.

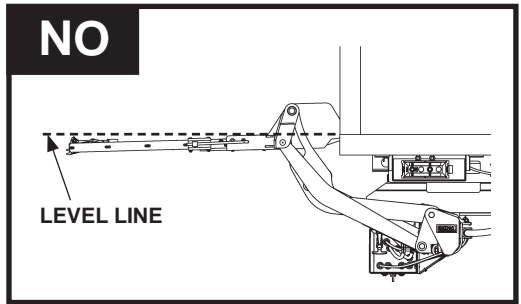
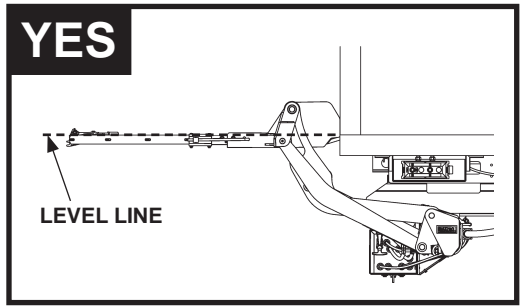
## Before operating the Liftgate, the operator should do the following:

- Make sure battery is fully charged and battery terminal connections are clean and tight.
- Make sure cab cutoff switch is **ON**, if equipped.
- Visually check that pump cover is latched closed securely and undamaged. Look for hydraulic fluid leaking from the pump box.
- Visually check that control switch is in place and undamaged.
- Visually check that hydraulic locks are in place and undamaged.
- Visually check that all decals are in place (see **DECAL** pages). Also make sure decals are clean, legible, and undamaged.

## Use the operation instructions in this manual to lower the Liftgate to the ground and open the platform and flipover.

- Check slider assembly, frame assembly, lift arms, and tilt arms for cracks and bends. Also, make sure all bolts, nuts and pins are in place and undamaged.
- Make sure slider assembly, frame assembly, lift arms, and tilt arms are clean (no oil, debris, or corrosion).
- Check the hydraulic cylinders for leaking seals and hose connections. Follow the hydraulic hoses (or return lines for gravity down Liftgates) from the cylinders to pump box. Make sure all hoses are connected at both ends and there are no cracks, chafing, and fluid leaks.

- With the platform unfolded and raised to bed level, check if the platform is level (**YES illustration**). If the platform looks like the **YES illustration**, you can operate Liftgate. If the platform is below level line and platform looks like the **NO illustration**, do not operate the Liftgate. (See **NOTE** at beginning of the **DAILY OPERATION CHECKS**.)



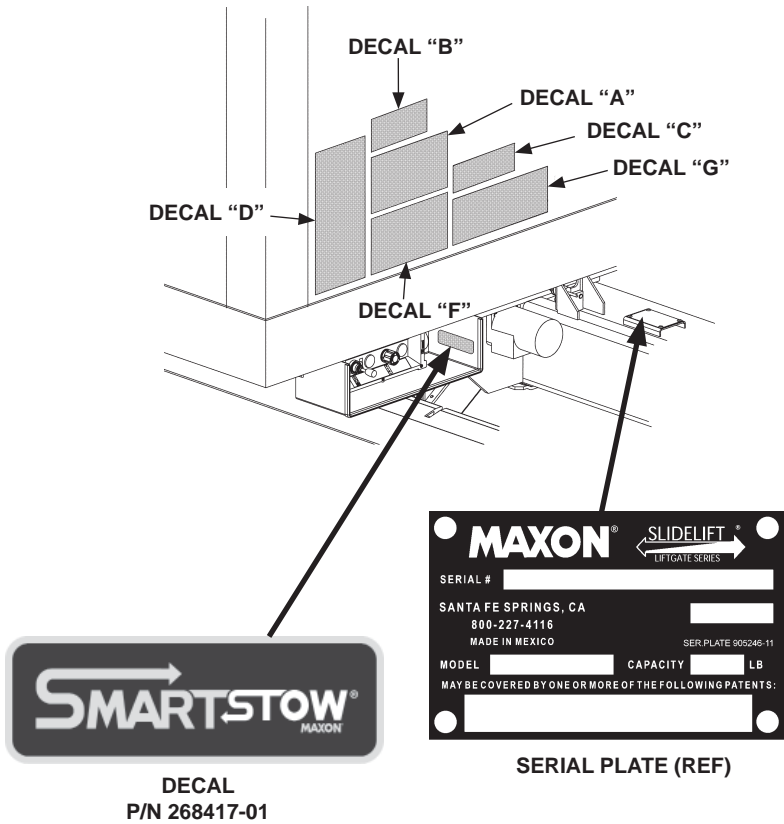
- Check the platform and flipover for cracks, holes, and bends on the load-carrying surface and side plates. Also, make sure torsion bars, coil springs, and fasteners are in place and undamaged.
- Make sure platform and flipover load-carrying surfaces are clean (no oil, debris, or corrosion).

**Use the operation instructions in this manual to operate the Liftgate through one cycle without a load on the platform. Raise the platform to vehicle bed height. Next, lower the platform to ground level.**

- When the Liftgate is moving, listen for unusual noises and look for a “jerking” motion or uneven movement on either side of the platform.

**If service or repairs are not required (or if completed), stow the Liftgate.**

# DECALS (WITH SMART STOW)



P/N 267431-01 (GPSLR-33) & P/N 267431-02 (GPSLR-44)  
FIG. 8-1



## SAFETY INSTRUCTIONS

Read all decals and operation manual before operating liftgate.

1. Do not use liftgate unless you have been properly instructed and have read, and are familiar with, the operating instructions.
2. Be certain vehicle is properly and securely braked before using the liftgate.
3. Always inspect this liftgate for maintenance or damage before using it. Do not use liftgate if it shows any sign of damage or improper maintenance.
4. Do not overload
5. Make certain the area in which the platform will open and close is clear before opening or closing the platform.
6. Make certain platform area, including the area in which loads may fall from platform, is clear before and at all times during operation of liftgate.
7. This liftgate is intended for loading and unloading of cargo only. Do not use this liftgate for anything but its intended use.

(A)

## ⚠ WARNING

Read this information carefully.

- Improper operation of this Liftgate can result in serious personal injury. If you do not have a copy of the operating instructions, please obtain them from your employer, distributor, or lessor before you attempt to operate Liftgate.
- If there are signs of improper maintenance, damage to vital parts, or slippery platform surface, do not use the Liftgate until these problems have been corrected.
- If you are using a pallet jack, be sure it can be maneuvered safely.
- Do not operate a forklift on the platform.
- Do not allow any part of yours or your helper's body to be placed under, within, or around any portion of the moving Liftgate, or its mechanisms, or in a position that would trap them between the platform and the ground or truck when the Liftgate is operated.
- If a helper is riding the platform with you, make sure you are both doing so safely and that you are not in danger of coming in contact with any moving or potentially moving obstacles.
- **USE GOOD COMMON SENSE.**
- If load appears to be unsafe, do not lift or lower it.

For a free copy of other manuals that pertain to the model Liftgate, please visit our website at [www.maxonlift.com](http://www.maxonlift.com) or call Customer Service at (800) 227-4116.

(F)



## ⚠ WARNING

Liftgate hazards can result in crushing or falling.

Keep hands and feet clear of pinch points.

If riding liftgate, make sure load is stable and footing is solid.

(C)

Read and understand all instructions and WARNINGS before use.

## ⚠ CAUTION

Always stand clear of platform area.

(C)

THE MAXIMUM CAPACITY OF THIS LIFT IS

**3300 POUNDS**

WHEN THE LOAD IS CENTERED ON THE LOAD CARRYING PLATFORM

(B)

**GPSLR 33 ONLY**

THE MAXIMUM CAPACITY OF THIS LIFT IS

**4400 POUNDS**

WHEN THE LOAD IS CENTERED ON THE LOAD CARRYING PLATFORM

(B)

**GPSLR 44 ONLY**

## OPERATING INSTRUCTIONS

① ← Power On

② ← 2 Hand Switch  
Slide Out To Unstow

③ Manually unfold using strap.

④ ↑ Raise  
2 Hand Switch

⑤ ↓ Lower  
2 Hand Switch

⑥ Manually fold using strap.

⑦ → 2 Hand Switch  
Slide In To Stow

**IMPORTANT: Release switches when liftgate shuts off.**

⑧ → Power Off

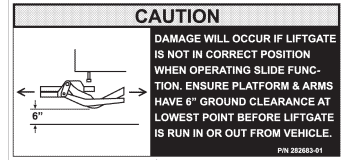
(D)

DECAL SHEET  
FIG. 9-1

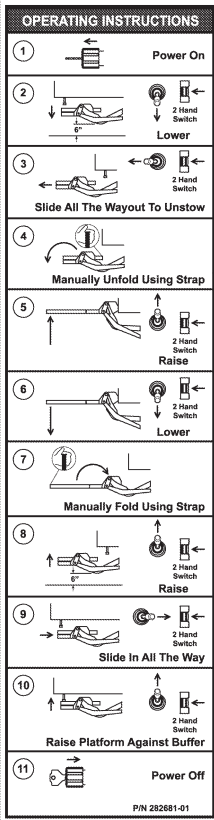
# DECALS (WITHOUT CONTROLLER)



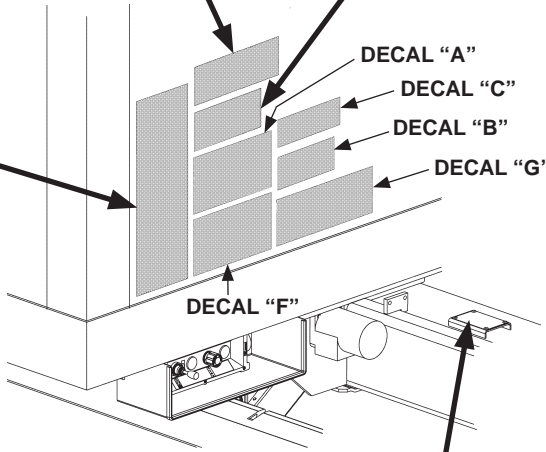
**CAUTION DECAL**  
P/N 282682-01



**CAUTION DECAL**  
P/N 282683-01



**OPERATION DECAL**  
P/N 282681-01



**SERIAL PLATE (REF)**

**P/N 282464-01 (GPSLR-33) & P/N 282464-02 (GPSLR-44)**  
**FIG. 10-1**

## SAFETY INSTRUCTIONS

Read all decals and operation manual before operating liftgate.

1. Do not use liftgate unless you have been properly instructed and have read, and are familiar with, the operating instructions.
2. Be certain vehicle is properly and securely braked before using the liftgate.
3. Always inspect this liftgate for maintenance or damage before using it. Do not use liftgate if it shows any sign of damage or improper maintenance.
4. Do not overload
5. Make certain the area in which the platform will open and close is clear before opening or closing the platform.
6. Make certain platform area, including the area in which loads may fall from platform, is clear before and at all times during operation of liftgate.
7. This liftgate is intended for loading and unloading of cargo only. Do not use this liftgate for anything but its intended use.

(A)

## ⚠ WARNING

Read this information carefully.

- Improper operation of this Liftgate can result in serious personal injury. If you do not have a copy of the operating instructions, please obtain them from your employer, distributor, or lessor before you attempt to operate Liftgate.
- If there are signs of improper maintenance, damage to vital parts, or slippery platform surface, do not use the Liftgate until these problems have been corrected.
- If you are using a pallet jack, be sure it can be maneuvered safely.
- Do not operate a forklift on the platform.
- Do not allow any part of yours or your helper's body to be placed under, within, or around any portion of the moving Liftgate, or its mechanisms, or in a position that would trap them between the platform and the ground or truck when the Liftgate is operated.
- If a helper is riding the platform with you, make sure you are both doing so safely and that you are not in danger of coming in contact with any moving or potentially moving obstacles.
- **USE GOOD COMMON SENSE.**
- If load appears to be unsafe, do not lift or lower it.

For a free copy of other manuals that pertain to this model Liftgate, please visit our website at [www.maxonlift.com](http://www.maxonlift.com) or call Customer Service at (800) 227-4116.

(F)

	<p><b>⚠ WARNING</b></p> <p>Liftgate hazards can result in crushing or falling.</p> <p>Keep hands and feet clear of pinch points.</p> <p>If riding liftgate, make sure load is stable and footing is solid.</p> <p>(G)</p>
<p>Read and understand all instructions and WARNINGS before use.</p>	

## ⚠ CAUTION

Always stand clear of platform area.

(C)

THE MAXIMUM CAPACITY  
OF THIS LIFT IS

**3300 POUNDS**

WHEN THE LOAD IS  
CENTERED ON THE LOAD  
CARRYING PLATFORM

(B)

**GPSLR 33 ONLY**

THE MAXIMUM CAPACITY  
OF THIS LIFT IS

**4400 POUNDS**

WHEN THE LOAD IS  
CENTERED ON THE LOAD  
CARRYING PLATFORM

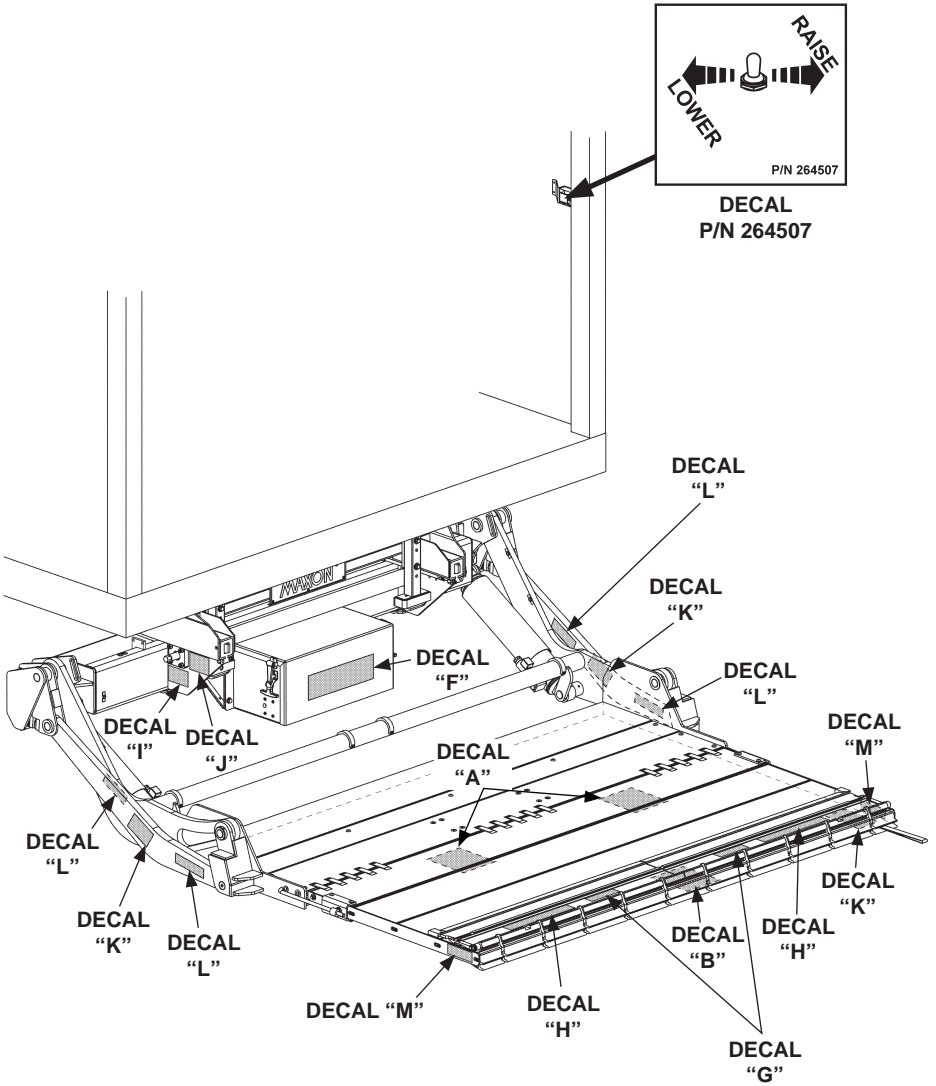
(B)

**GPSLR 44 ONLY**

**DECAL SHEET**

**FIG. 11-1**

# DECALS - Continued



**⚠ WARNING**



When unstowing & stowing platform, stay clear of bumpers.

PIN 267432-01 (A)

**⚠ WARNING**



To avoid injury stay out of the path where the platform unfolds. Unfold platform from the side.

PIN 267432-01 (B)

**⚠ WARNING**

Avoid possible injury & damage to equipment if slider moves under power. Ensure battery is disconnected from lift-gate before operating the slider manually.

PIN 267432-01 (J)

**MANUAL SLIDER OPERATION & ACCESS INSTRUCTIONS**



PIN 267432-01 (I)

**⚠ WARNING**

To prevent personal injury & equipment damage, avoid working under the platform while platform is raised off the ground. Refer to Maintenance Manual for additional safety instructions.

(F)

**⚠ WARNING**



Keep hands clear of pinch points when folding flipover.

(M)

**⚠ WARNING**



To avoid possible injury and damage to equipment, never stand on lift arms, parallel arms, or bottom side of platform.

PIN 267432-01 (K)

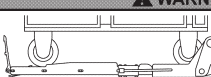
**⚠ WARNING**



Keep hands & feet clear of lifting arms.

PIN 267432-01 (L)

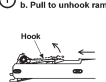
**⚠ WARNING**



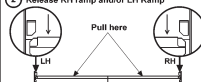
To prevent personal injury & damaged equipment, ramp must be in retention position when cart is being raised or lowered on platform.

PIN 267432-01 (G)

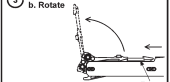
① a. Lift  
d. Pull to unhook ramp



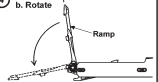
② Release RH ramp and/or LH Ramp



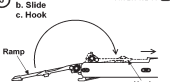
③ a. Slide  
b. Rotate



④ a. Pull  
b. Rotate



⑤ a. Rotate  
b. Slide  
c. Hook

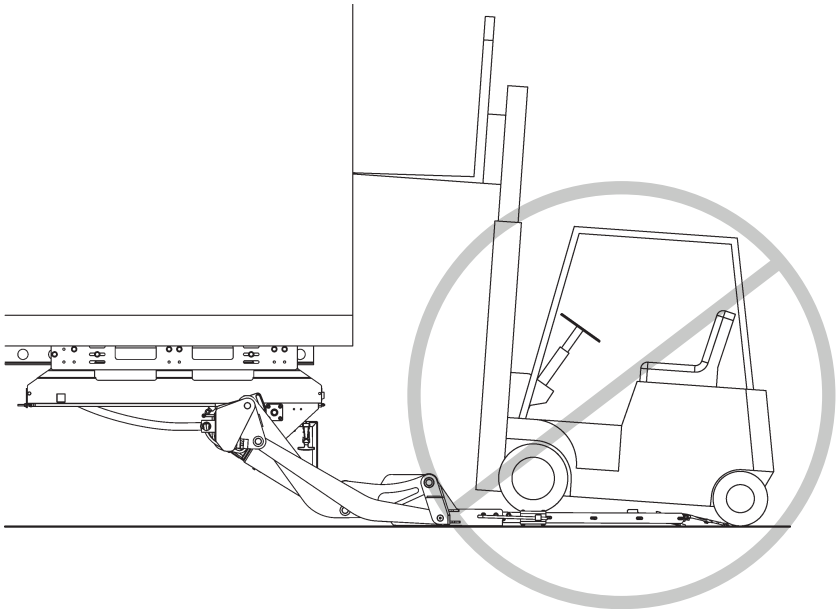
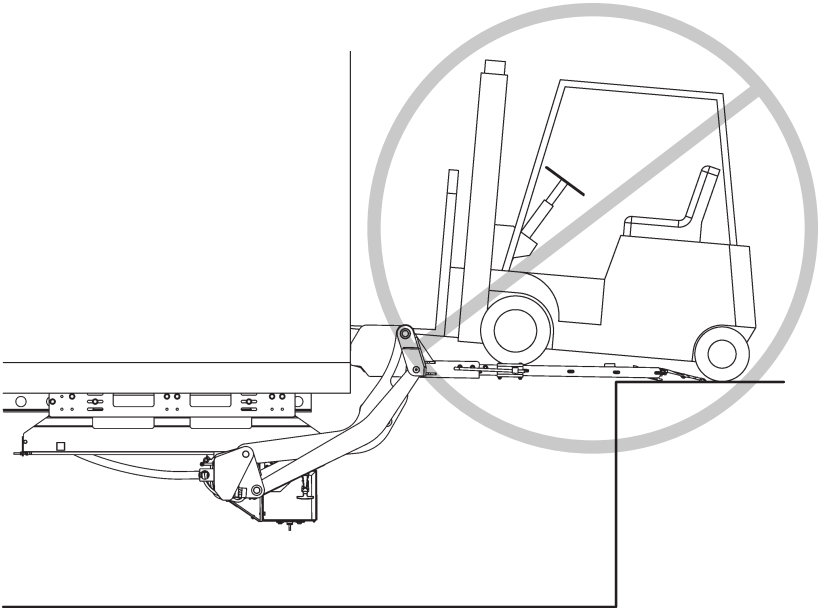


PIN 267432-01 (H)

**DECAL SHEET**  
**P/N 267432-01**  
**FIG. 13-1**

# FORKLIFT ADVISORY

**⚠ WARNING**  
**Keep forklift OFF of platform.**



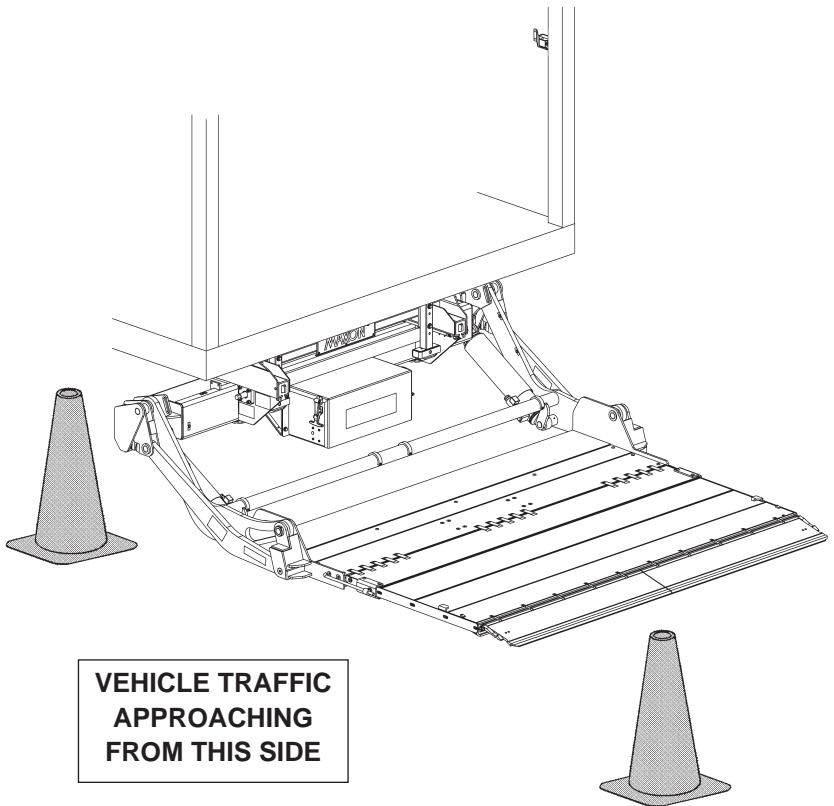
**FIG. 14-1**

# ROADSIDE OPERATION ADVISORY

## **WARNING**

Operating the Liftgate by the side of a busy road with vehicle traffic increases the chance of personal injury and damage to Liftgate, cargo & vehicle. Making the loading area more visible to passing traffic can help reduce the chance of injury and damage.

**NOTE:** MAXON recommends placing at least 2 traffic cones on the traffic side of the platform loading area as illustrated below. Remove cones after platform is stowed and before moving the vehicle.

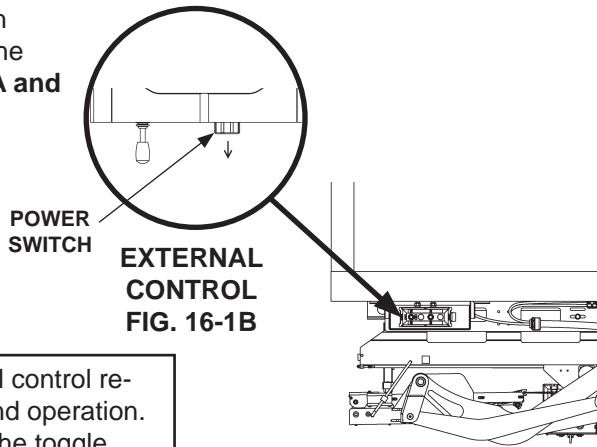


**TRAFFIC CONES POSITIONED BY PLATFORM LOADING AREA  
(GPSLR LIFTGATE SHOWN)**

**FIG. 15-1**

# OPERATION WITH SMART STOW

1. Turn the power switch to turn on power for the controls (**FIGS. 16-1A and 16-1B**).

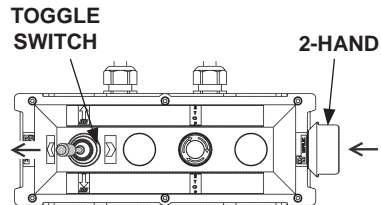


**NOTE:** The external control requires 2-hand operation. To operate the toggle switch, the 2-hand switch must be held in the on position.

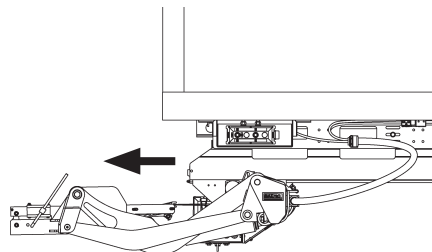
**NOTE:** If necessary, release the toggle switch to stop the platform from moving.

**TURNING ON POWER WITH  
EXTERNAL SWITCH  
FIG. 16-1A**

2. Move the platform all the way out as follows. Hold the **2-hand operation** switch in the on position (**FIG. 16-2**). Then, hold the external toggle switch in the **OUT** position until the platform slides all the way out (**FIG. 16-3**).



**2-HAND SWITCH  
& OUT SWITCH  
FIG. 16-2**



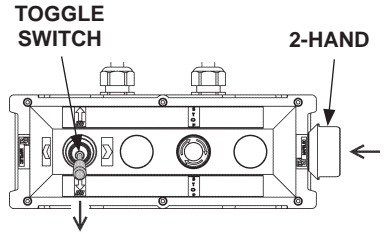
**PLATFORM OUT  
FIG. 16-3**



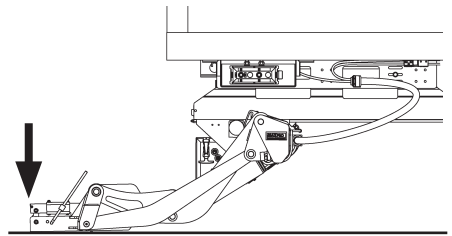
## OPERATION - Continued

**NOTE:** If necessary, release the toggle switch to stop the platform from moving.

3. Lower the platform to the ground as follows. Hold the **2-hand operation** switch in the on position (**FIG. 17-1**). Then, hold the external toggle switch in the **DOWN** position until the shackles touch the ground (**FIG. 17-2**).



**2-HAND SWITCH & DOWN SWITCH**  
**FIG. 17-1**

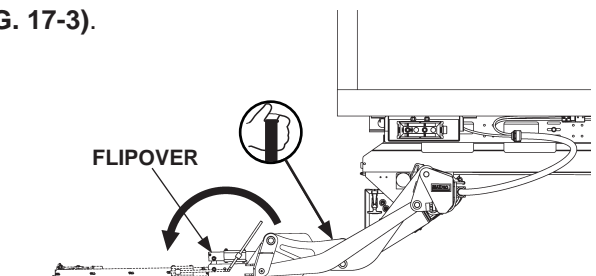


**PLATFORM LOWERED TO GROUND**  
**FIG. 17-2**

### **⚠ WARNING**

**Never operate control switch while unfolding the flipover.**

4. Unfold the flipover (**FIG. 17-3**).



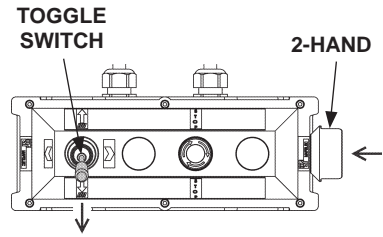
**FLIPOVER UNFOLDED**  
**FIG.17-3**

**⚠ WARNING**

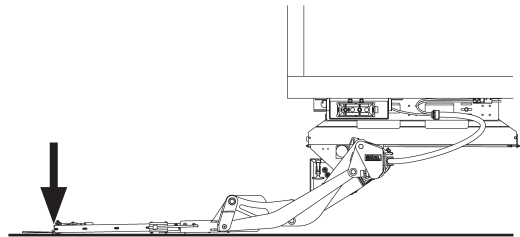
**Never move the vehicle unless the Liftgate is properly stowed.**

**NOTE:** If necessary, release the toggle switch to stop the platform from moving.

5. Before moving the vehicle, prepare the Liftgate as follows. Make sure load is removed from platform. If platform is at bed level, lower the platform to ground level as follows. Hold the **2-hand operation** switch in the on position (**FIG. 18-1**). Then, hold the external toggle switch in the **DOWN** position (**FIG. 18-1**) until platform is on the ground (**FIG. 18-2**).



**2-HAND SWITCH & DOWN SWITCH  
FIG. 18-1**

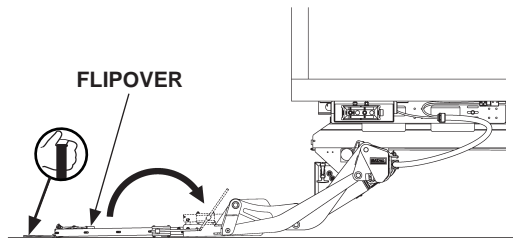


**PLATFORM LOWERED TO GROUND  
FIG. 18-2**

**⚠ WARNING**

**Never operate control switch while folding the flipover.**

6. Ensure retention ramps are stowed. (See **LOADING OR UNLOADING PLATFORM.**) Then, fold the flip-over (**FIG. 18-3**).

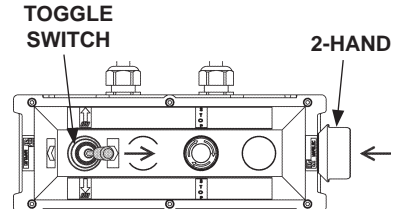


**FOLDING FLIPOVER  
FIG. 18-3**

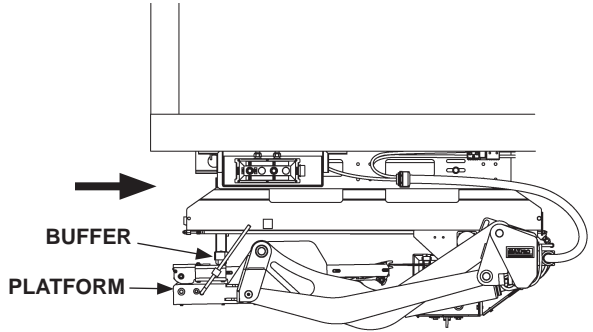
# OPERATION - Continued

**NOTE:** If necessary, release the toggle switch to stop the platform from moving.

7. Stow the Liftgate as follows. Hold the **2-hand operation** switch in the on position (**FIG. 19-1**). Then, hold the external toggle switch in the **IN** position (**FIG. 19-1**) until platform is stowed under the vehicle body and Liftgate shuts off (**FIG. 19-2**).

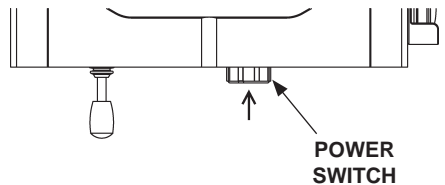


**2-HAND SWITCH & IN SWITCH**  
**FIG. 19-1**



**PLATFORM STOWED**  
**FIG. 19-2**

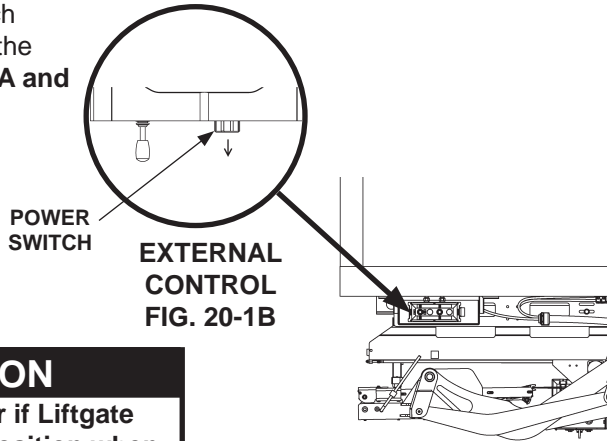
8. Push the power switch to turn off power to the controls (**FIG. 19-3**).



**TURNING OFF POWER WITH**  
**EXTERNAL SWITCH**  
**FIG. 19-3**

# OPERATION WITH NO CONTROLLER

1. Turn the power switch to turn on power for the controls (**FIGS. 20-1A and 20-1B**).



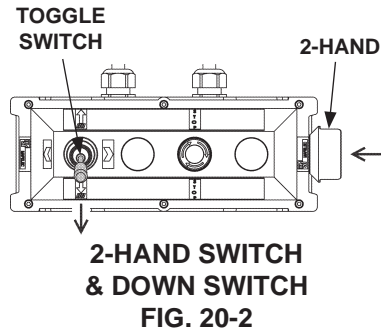
## CAUTION

Damage will occur if Liftgate is not in correct position when operating the slide function. Ensure platform & arms have 6" of ground clearance, at lowest point, before Liftgate is run out from under vehicle.

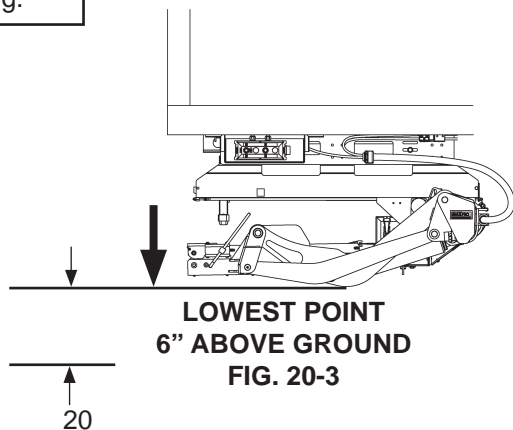
**NOTE:** The external control requires 2-hand operation. To operate the toggle switch, the 2-hand switch must be held in the on position.

**NOTE:** If necessary, release the toggle switch to stop the platform from moving.

## TURNING ON POWER WITH EXTERNAL SWITCH FIG. 20-1A



2. Hold the 2-hand operation switch in the on position (**FIG. 20-2**). Then, hold the external toggle switch in the **DOWN** position (**FIG. 20-2**) until lowest point of platform and arms are 6" above the ground (**FIG. 20-3**).



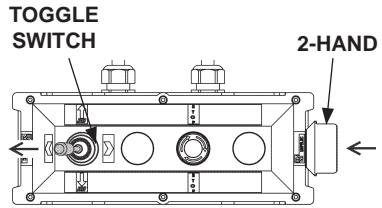
# OPERATION - Continued

## CAUTION

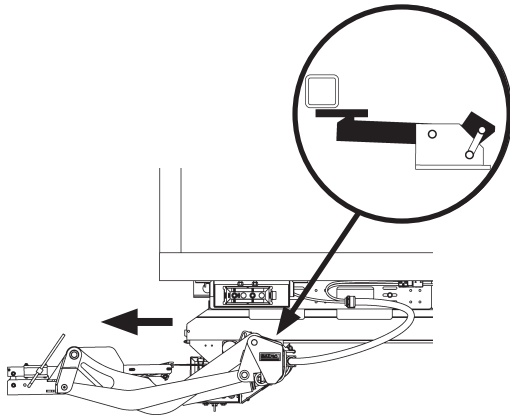
Damage will occur if slide mechanism is not operated correctly. Make sure Liftgate is fully extended & latched before raising or lowering.

**NOTE:** If necessary, release the toggle switch to stop the platform from moving.

3. Hold the **2-hand operation** switch in the on position (**FIG. 21-1**). Then, hold the external toggle switch in the **OUT** position (**FIG. 21-2**). Slide the platform out until latched as shown in **FIG. 21-2**.



**2-HAND SWITCH  
& OUT SWITCH  
FIG. 21-1**

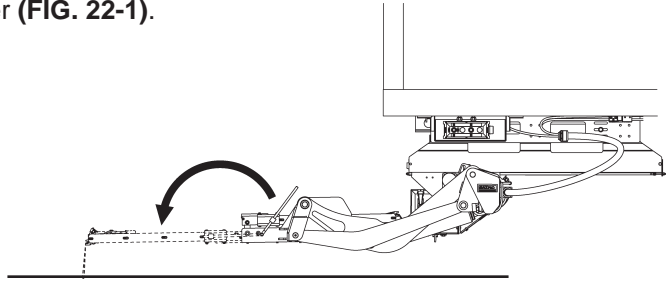


**PLATFORM OUT & LATCHED  
FIG. 21-2**

**⚠ WARNING**

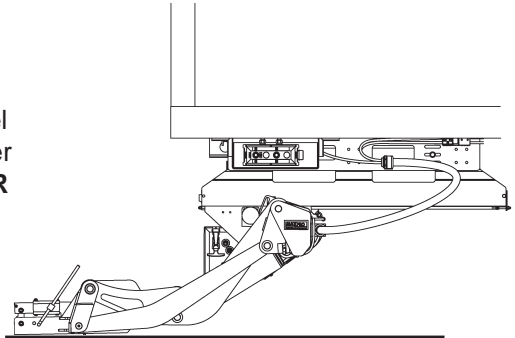
**Never operate control switch while unfolding the flipover.**

4. Unfold the flipover (**FIG. 22-1**).

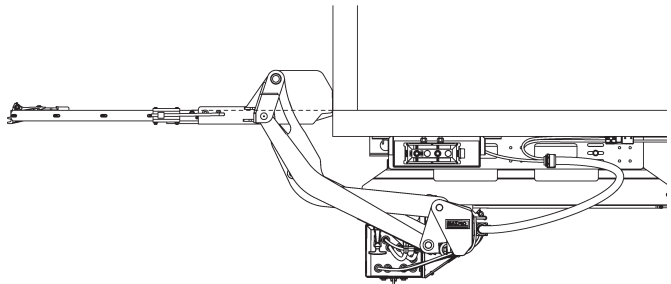


**FLIPOVER UNFOLDED  
ABOVE GROUND  
FIG. 22-1**

5. Lower platform (**FIG. 30-2**) to ground level to load or unload on the ground. Raise platform (**FIG. 30-3**) to vehicle bed level to load or unload vehicle. Refer to section about **LOADING OR UNLOADING PLATFORM** in this manual.



**PLATFORM LOWERED TO GROUND  
FIG. 22-2**



**PLATFORM RAISED TO BED LEVEL  
FIG. 22-3**

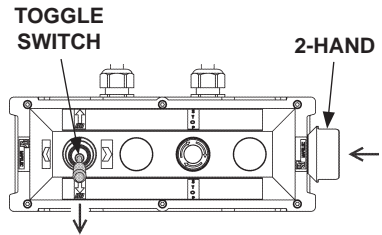
## OPERATION - Continued

### **WARNING**

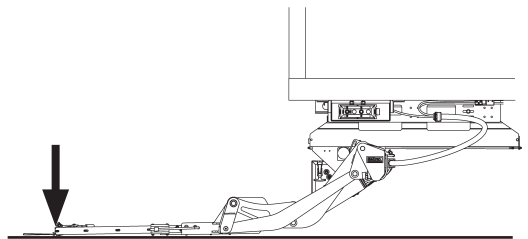
**Never move the vehicle unless the Liftgate is properly stowed.**

**NOTE:** If necessary, release the toggle switch to stop the platform from moving.

- Before moving the vehicle, prepare the Liftgate as follows. Make sure load is removed from platform. If platform is at bed level, lower the platform to ground level as follows. Hold the **2-hand operation** switch in the on position (**FIG. 23-1**). Then, hold the external toggle switch in the **DOWN** position (**FIG. 23-1**) until platform is on the ground (**FIG. 23-2**).



**2-HAND SWITCH & DOWN SWITCH**  
**FIG. 23-1**

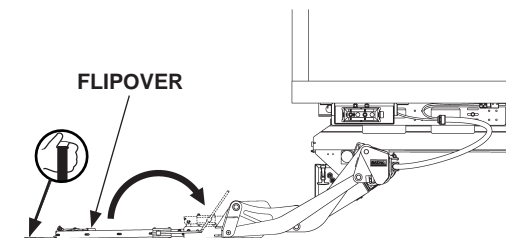


**PLATFORM LOWERED TO GROUND**  
**FIG. 23-2**

### **WARNING**

**Never operate control switch while folding the flipover.**

- Ensure retention ramps are stowed. (See **LOADING OR UNLOADING PLATFORM.**) Then, fold the flipover (**FIG. 23-3**).



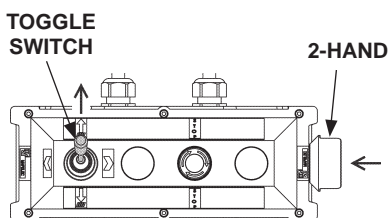
**FOLDING FLIPOVER**  
**FIG. 23-3**

## CAUTION

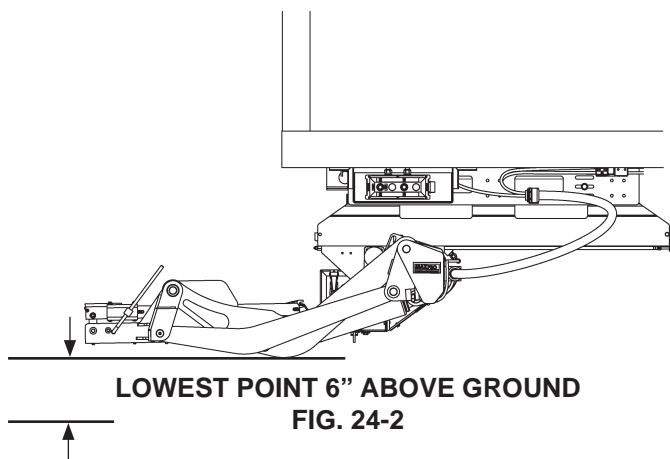
Damage will occur if Liftgate is not in correct position when operating the slide function. Ensure platform & arms have 6" of ground clearance, at lowest point, before Liftgate is run in under vehicle.

**NOTE:** If necessary, release the toggle switch to stop the platform from moving.

8. Stow the Liftgate as follows. Hold the **2-hand operation** switch in the on position (**FIG. 24-1**). Then, hold the external toggle switch in the **UP** position (**FIG. 24-1**) until the lowest point of platform and arms are 6" above the ground (**FIG. 24-2**).



**2-HAND SWITCH & UP SWITCH**  
**FIG. 24-1**

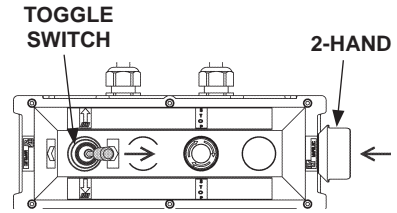


**LOWEST POINT 6" ABOVE GROUND**  
**FIG. 24-2**

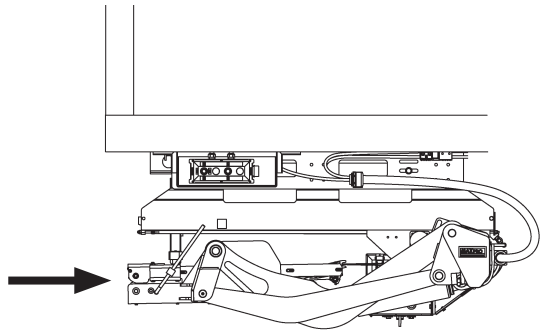


## OPERATION - Continued

9. Hold the **2-hand operation** switch in the on position (**FIG. 25-1**). Then, hold the external toggle switch in the **IN** position (**FIG. 25-1**). Slide the platform in to stow as shown in **FIG. 25-2**.



**2-HAND SWITCH & IN SWITCH**  
**FIG. 25-1**

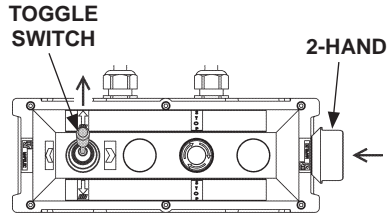


**SLIDING PLATFORM IN TO STOW**  
**FIG. 25-2**

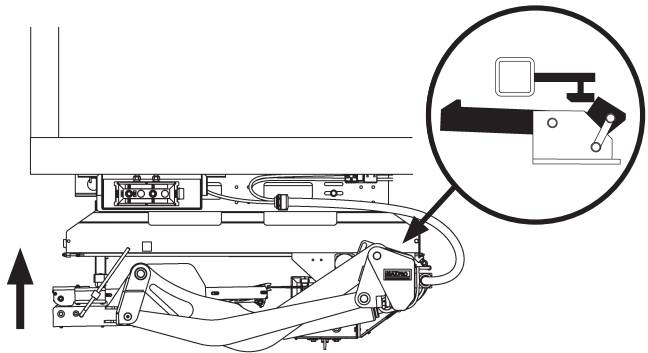
## CAUTION

Damage will occur if slide mechanism is not operated correctly. Liftgate must be fully retracted, latched and stowed before moving vehicle.

10. Hold the 2-hand operation switch in the on position (FIG. 26-1). Then, hold the external toggle switch in the UP position (FIG. 26-1) until platform is stowed securely against bottom of the vehicle body (FIG. 26-2).

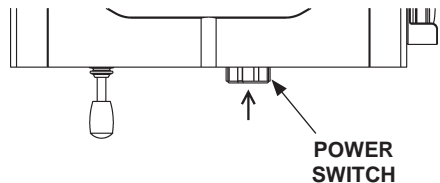


2-HAND SWITCH & UP SWITCH  
FIG. 26-1



PLATFORM STOWED & LATCHED  
FIG. 26-2

11. Push the power switch to turn off power to the controls (FIG. 26-3).



TURNING OFF POWER WITH  
EXTERNAL SWITCH  
FIG. 26-3

**THIS PAGE INTENTIONALLY LEFT BLANK**

# LOADING OR UNLOADING PLATFORM

## ⚠ WARNING

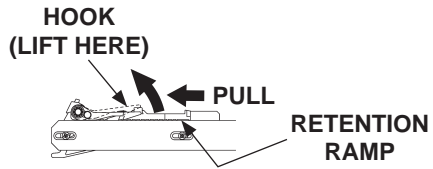
To prevent personal injury & damaged equipment, ramp must be in retention position when cart is being raised or lowered on platform.

## ⚠ CAUTION

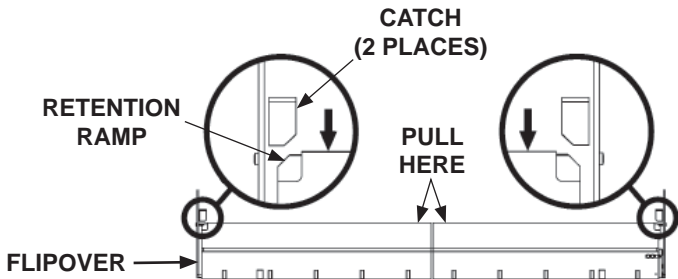
To prevent injuries caused by tripping and falling, make sure retention ramps are in the ramp position before walking on and off outboard end of platform.

**NOTE:** To unhook the retention ramp, stand at the RH side of flipover. After the retention ramp is unhooked, the recommended place for handling the retention ramp is at the center of the free edge (**FIG. 28-2**).

1. Unhook retention ramp (**FIG. 28-1**). To release from the catches, pull retention ramp toward outboard end of flipover as shown in **FIG. 28-2**.



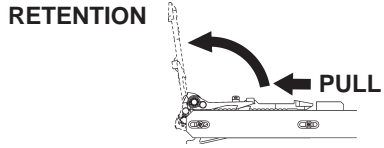
UNHOOKING RETENTION RAMP  
(RH VIEW OF FLIPOVER)  
FIG. 28-1



RELEASING RETENTION RAMP  
(TOP VIEW OF FLIPOVER)  
FIG. 28-2

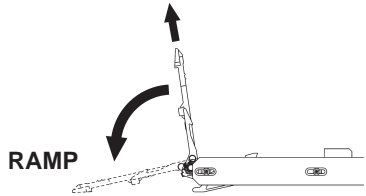
# LOADING OR UNLOADING PLATFORM - Cont'd.

**! CAUTION**  
To prevent injuries, stay clear of the retention ramp path as it is moved to ramp position. Go to either side of the ramp and stay out of the way.



**MOVING TO RETENTION POSITION (RH VIEW OF FLIPOVER)**  
**FIG. 29-1**

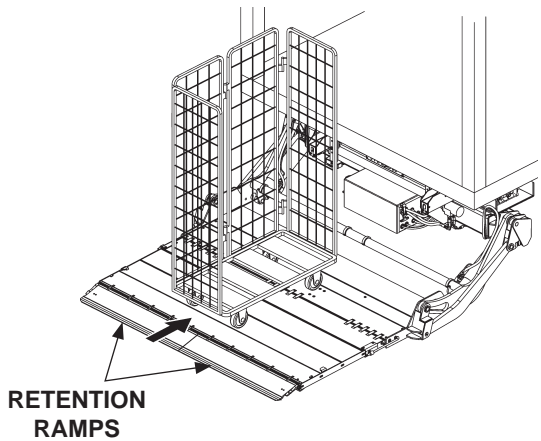
2. Continue to pull retention ramp to the retention position (**FIG. 29-1**) and then to ramp position (**FIG. 29-2**).



**MOVING TO RAMP POSITION (RH VIEW OF FLIPOVER)**  
**FIG. 29-2**

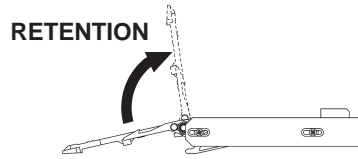
**! WARNING**  
A load should never extend past the edges of the platform. Do not place unstable loads on platform and do not allow load to exceed the lifting capacity of the Liftgate. If standing on platform, do not allow your feet to extend beyond the inboard edge of the platform.

3. Load the platform at ground level as follows. Make sure retention ramps are in the ramp position (**FIG. 29-3**). Next, move carts on the platform as shown in **FIG. 29-3**. If platform is equipped with cart dishes, ensure the rear wheels of each cart are seated in the dishes.

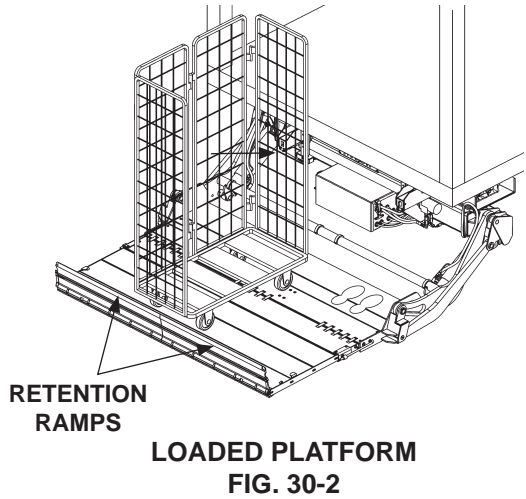


**LOADING PLATFORM AT GROUND LEVEL (RAMP POSITION)**  
**FIG. 29-3**

4. When carts are on the platform, place the retention ramps in the retention position (**FIG. 30-1**). Then, stand in the footprint area shown in **FIG. 30-2**.



**ROTATING TO RETENTION POSITION  
(RH VIEW OF FLIPOVER)  
FIG. 30-1**

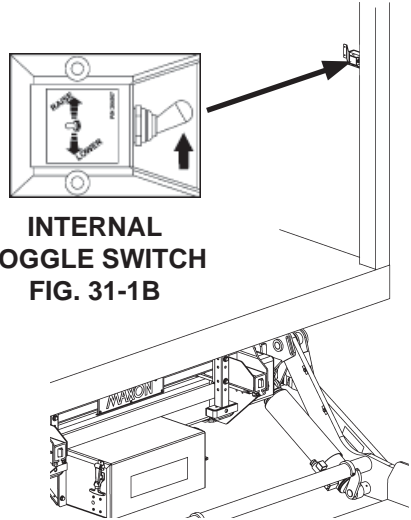


**LOADED PLATFORM  
FIG. 30-2**

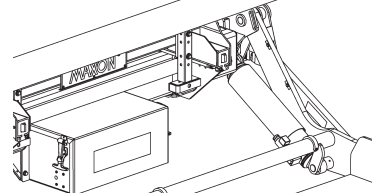
# LOADING OR UNLOADING PLATFORM - Cont'd.

**NOTE:** If necessary, release the toggle switch to stop the platform from moving.

5. Raise the platform to bed level as follows. Hold the internal toggle switch in the **UP** position (**FIG. 31-1B**) until the platform reaches bed level (**FIG. 31-2**).

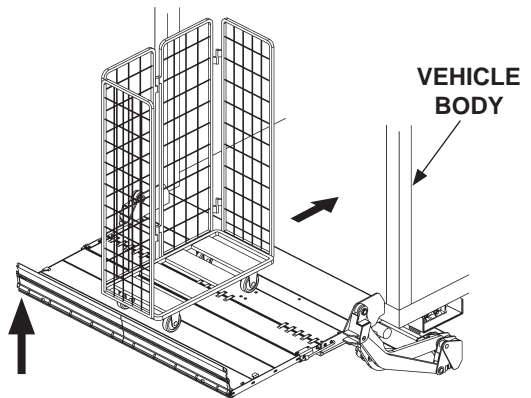


**INTERNAL  
TOGGLE SWITCH  
FIG. 31-1B**



**INTERNAL TOGGLE SWITCH  
FIG. 31-1A**

6. Move carts from the platform to inside the vehicle body (**FIG. 31-2**).

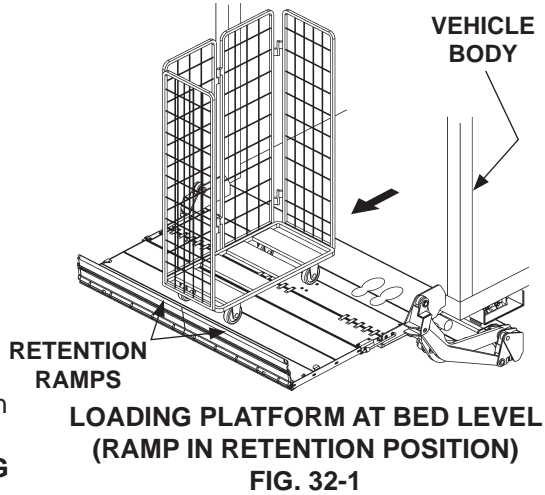


**PLATFORM RAISED TO BED LEVEL  
FIG. 31-2**

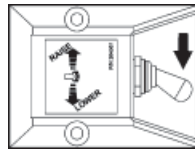
**! WARNING**

**Pulling the load from vehicle to platform can result in a fall from platform and serious injury. When unloading vehicle, always push the load out on the platform.**

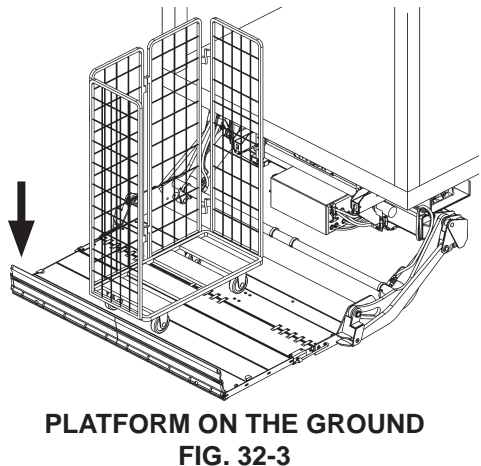
7. Load the platform at bed level as follows. Make sure retention ramps are in the retention position (FIG. 32-1). Then, push carts out of the vehicle body to correct position on the platform. If platform is equipped with cart dishes, ensure the rear wheels of each cart are seated in the dishes. If standing on platform with the carts, stand in the footprint area shown and comply with **WARNING** on page 28.



**NOTE:** If necessary, release the toggle switch to stop the platform from moving.



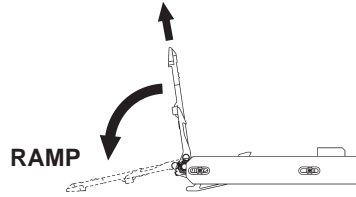
8. Lower the platform to ground level as follows. Hold the internal toggle switch in the **DOWN** position (FIG. 32-2) until platform is sitting on the ground (FIG. 32-3).



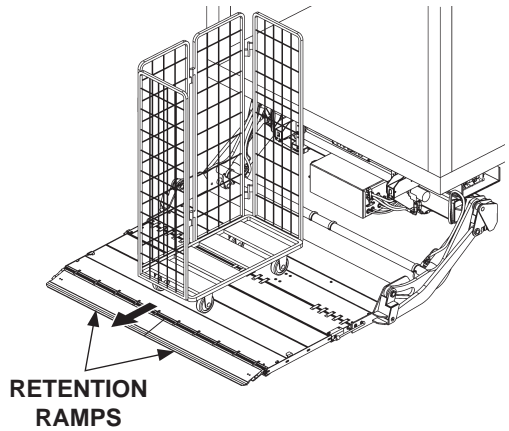


# LOADING OR UNLOADING PLATFORM - Cont'd.

9. Unload the platform at ground level as follows. Reposition retention ramps to the ramp position (**FIG. 33-1**). Then, move cart off the platform as shown in **FIG. 33-2**.

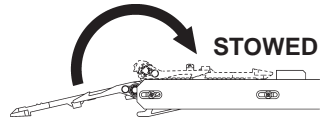


**ROTATING TO RAMP POSITION  
(RH VIEW OF FLIPOVER)  
FIG. 33-1**

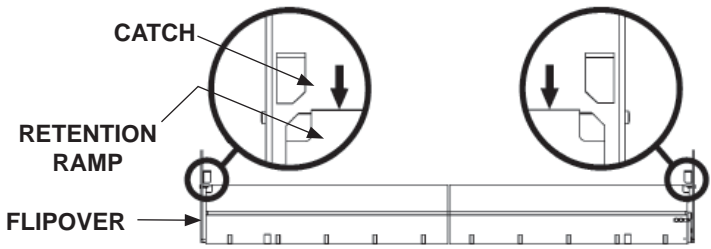


**UNLOADING PLATFORM AT  
GROUND LEVEL (RAMP POSITION)  
FIG. 33-2**

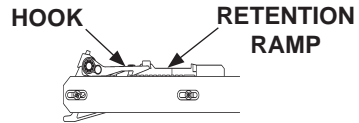
10. To stow ramps, rotate each retention ramp to the flat position as shown in **FIG. 34-1**. Push the retention ramps fully into the catches (**FIG. 34-2**). Then, make sure retention ramps are hooked to the flipover (**FIG. 34-3**).



**ROTATING RAMP TO STOWED POSITION (RH VIEW OF FLIPOVER)**  
**FIG. 34-1**



**STOWING THE RAMPS (TOP VIEW OF FLIPOVER)**  
**FIG. 34-2**



**RAMP HOOKED TO FLIPOVER (RH VIEW OF FLIPOVER)**  
**FIG. 34-3**



