

M-08-12
REV. C
MARCH 2011

MAXON[®] GPSLR Series

INSTALLATION MANUAL

GPSLR-33 & GPSLR-44

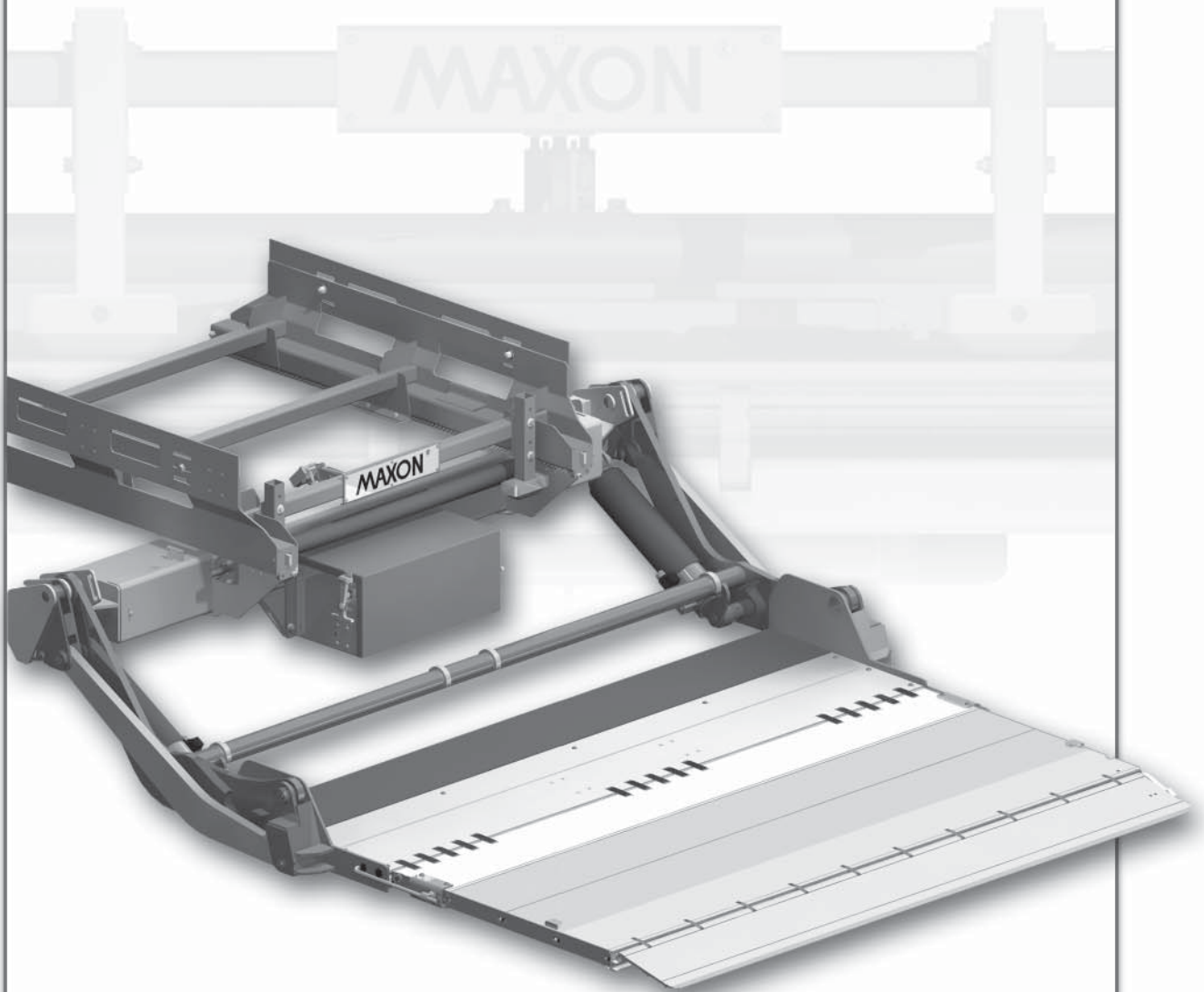


TABLE OF CONTENTS

WARNINGS	3
SAFETY INSTRUCTIONS	3
GPSLR INSTALLATION PARTS BOX.....	4
OPTIONAL INSTALLATION JIG.....	4
VEHICLE REQUIREMENTS	5
STEP 1 - REMOVE SIDE PLATES	7
STEP 2 - WELD SIDE PLATE	9
STEP 3 - PLACE SLIDER ASSEMBLY ON OPTIONAL JIG	18
STEP 4 - BOLT ON LIFTGATE.....	19
STEP 5 - WELD ON EXTERNAL CONTROL & BRACKET.....	21
STEP 6 - BOLT ON INTERNAL CONTROL SWITCH	22
STEP 7 - RECOMMENDED LIFTGATE POWER CONFIGURATION.....	25
STEP 8 - CONNECTING POWER	27
STEP 9 - LEVELING PLATFORM.....	28
STEP 10 - FINAL BOLTING	29
STEP 11 - PLATFORM ADJUSTMENT	31
STEP 12 - ATTACH SLIDING AXEL STOPS (IF REQUIRED)	32
ATTACH DECALS (WITH SMART STOW)	33
ATTACH DECALS (WITHOUT CONTROLLER).....	35
DECAL POSITIONS	37
SYSTEM DIAGRAMS	39
PUMP & MOTOR SOLENOID OPERATION.....	39
HYDRAULIC SCHEMATIC	40
ELECTRICAL SCHEMATIC (SMART STOW).....	41
ELECTRICAL SCHEMATIC (WITHOUT CONTROLLER).....	42

Comply with the following **WARNINGS** and **SAFETY INSTRUCTIONS** while installing Liftgates. Refer to **WARNING**, **CAUTION**, and **SAFETY INSTRUCTIONS** decals on Liftgate.

WARNING

- Do not stand, or allow obstructions, under the platform when lowering the Liftgate. **Be sure your feet are clear of the Liftgate.**
- **Keep fingers, hands, arms, legs, and feet clear of moving Liftgate parts (and platform edges) when operating the Liftgate.**
- **Correctly stow platform when not in use. Extended platforms could create a hazard for people and vehicles passing by.**
- **Make sure vehicle battery power is disconnected** while installing Liftgate. Connect vehicle battery power to the Liftgate only when installation is complete or as required in the installation instructions.
- If it is necessary to stand on the platform while operating the Liftgate, keep your feet and any objects clear of the inboard edge of the platform. Your feet or objects on the platform can become trapped between the platform and the Liftgate extension plate.
- Never perform unauthorized modifications on the Liftgate. Modifications may result in early failure of the Liftgate and may create hazards for Liftgate operators and maintainers.
- Recommended practices for welding on steel parts are contained in the current **AWS (American Welding Society) D1.1 Structural Welding Code - Steel**. Damage to Liftgate and/or vehicle, and personal injury can result from welds that are done incorrectly.

SAFETY INSTRUCTIONS

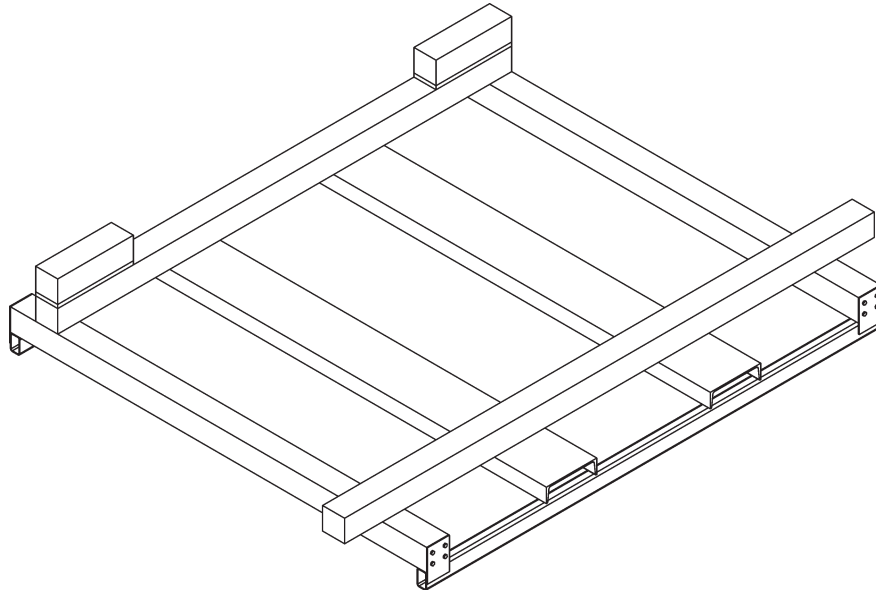
- Read and understand the instructions in this **Installation Manual** before installing Liftgate.
- Before operating the Liftgate, read and understand the operating instructions.
- Comply with all **WARNING** and instruction decals attached to the Liftgate.
- Keep decals clean and legible. If decals are illegible or missing, replace them. Free replacement decals are available from **Maxon Customer Service**.
- Consider the safety and location of bystanders and location of nearby objects when operating the Liftgate. Stand to one side of the platform while operating the Liftgate.
- Do not allow untrained persons or children to operate the Liftgate.
- Wear appropriate safety equipment such as protective eyeglasses, faceshield and clothing while performing maintenance on the Liftgate and handling the battery. Debris from drilling and contact with battery acid may injure unprotected eyes and skin.
- Be careful working by an automotive type battery. Make sure the work area is well ventilated and there are no flames or sparks near the battery. Never lay objects on the battery that can short the terminals together. If battery acid gets in your eyes, immediately seek first aid. If acid gets on your skin, immediately wash it off with soap and water.
- If an emergency situation arises (vehicle or Liftgate) while operating the Liftgate, release the control switch to stop the Liftgate.
- A correctly installed Liftgate operates smoothly and reasonably quiet. The only noticeable noise during operation comes from the power unit while the platform is raised and lowered. Listen for scraping, grating and binding noises and correct the problem before continuing to operate Liftgate.

GPSLR INSTALLATION PARTS BOX

	NOMENCLATURE OR DESCRIPTION	QTY.	PART NUMBER
1	GUSSET, GPSLR MOUNT	8	268674-01
2	PLATE, GPSLR SUPPORT	6	268675-01
3	PLATE, GPSLR MOUNT	6	268676-01
4	CAP SCREW, 1/2"-20 X 2" LG, GRADE 8	12	900033-5
5	FLAT WASHER, 1/2" X 3/32" THICK	24	902013-13
6	LOCK NUT, NYLON, 1/2"-20	12	901008
7	TAPPING SCREW, #10-24 X 1/2" LG.	4	030444
8	ANGLE (STEEL), 2" X 2" X 1/8" X 6" LG.	2	901008

TABLE 4-1

OPTIONAL INSTALLATION JIG



INSTALLATION JIG
PN 268592-01

MAXON[®] 11921 Slauson Ave. Santa Fe Springs, CA. 90670 (800) 227-4116 FAX (888) 771-7713

VEHICLE REQUIREMENTS

CAUTION

The sliding axel assembly on a trailer can collide with a Liftgate mounted on the slide rails. To prevent damage to Liftgate and trailer, install stops on the slide rails to keep the sliding axels from hitting Liftgate. Refer to Liftgate clearance dimensions in this section of the manual.

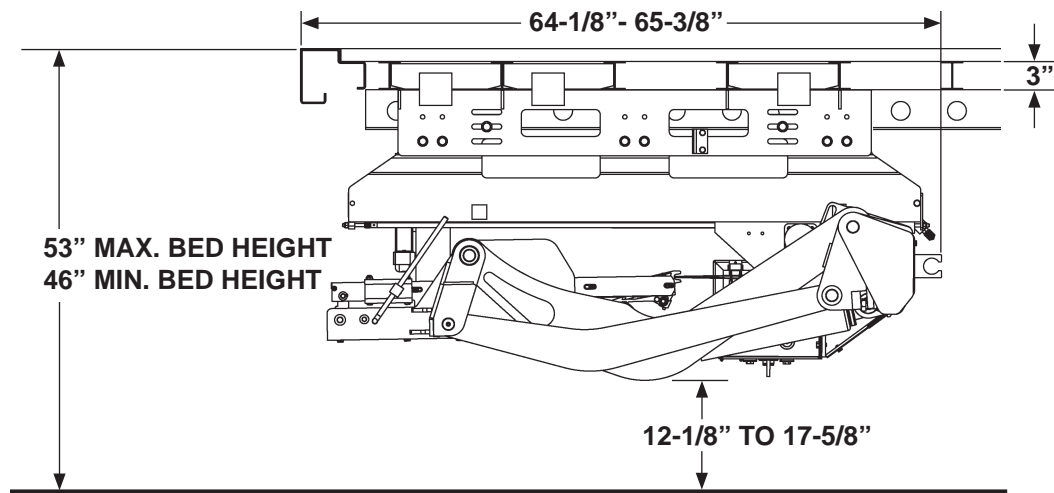
NOTE: BODY maximum and minimum operating bed height:

Maximum height is **53"** (Unloaded). Minimum height is **46"** (Loaded).
On vehicle bodies equipped with swing-open doors, the platform may have to be modified to install this Liftgate.

NOTE: Make sure vehicle is parked on level ground while preparing vehicle and installing Liftgate.

NOTE: Dimensions are provided as reference for fitting Liftgate to vehicle body.
For detailed ground clearance information, refer to the **WELD SIDE PLATE** procedure in this manual.

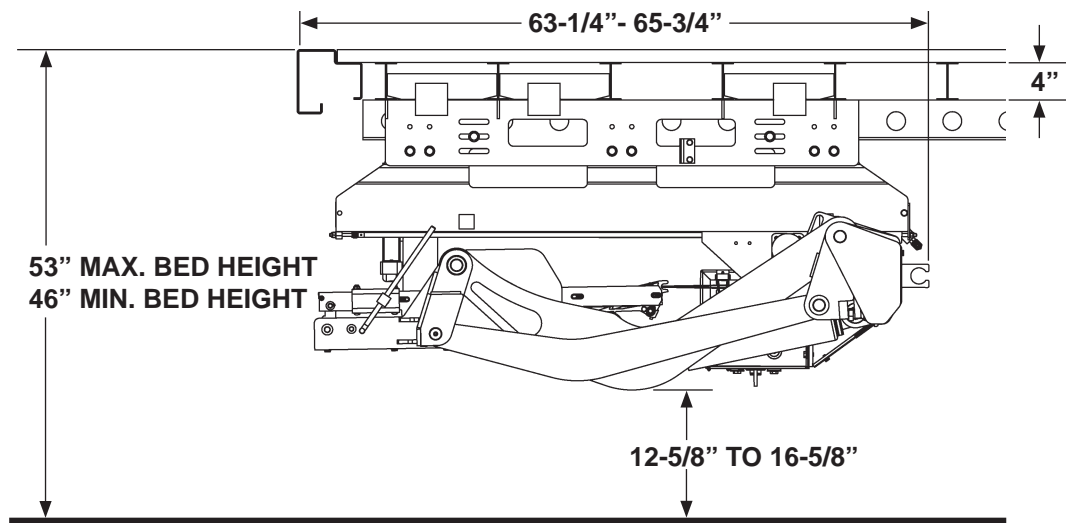
Check for correct clearances (**FIGS. 5-1, 6-1 & 6-2**) on vehicle to prevent interference between vehicle and Liftgate.



VEHICLE WITH 3" CROSSMEMBERS

FIG. 5-1

VEHICLE REQUIREMENTS - Continued



VEHICLE WITH 4" CROSSMEMBERS
FIG. 6-1

NOTE: For installation of this Liftgate, the maximum thickness of the vehicle floor and body is 6".

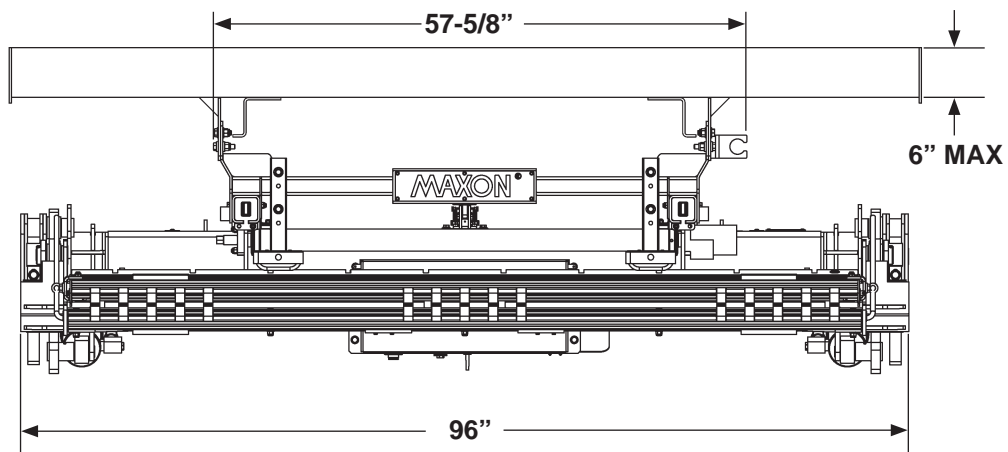


FIG. 6-2

STEP 1 - REMOVE SIDE PLATES

1. Disconnect conduit from right side plate as shown in FIG. 7-1.

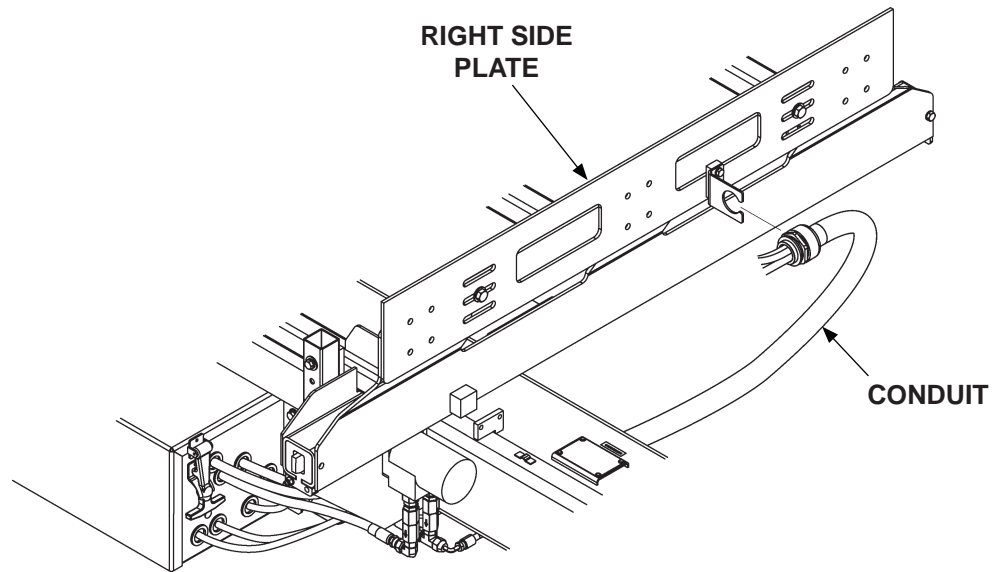


FIG. 7-1

STEP 1 - REMOVE SIDE PLATES - Continued

NOTE: Save bolts, nuts, and flat washers for reinstallation.

2. Unbolt side plates as shown in FIG. 8-1.

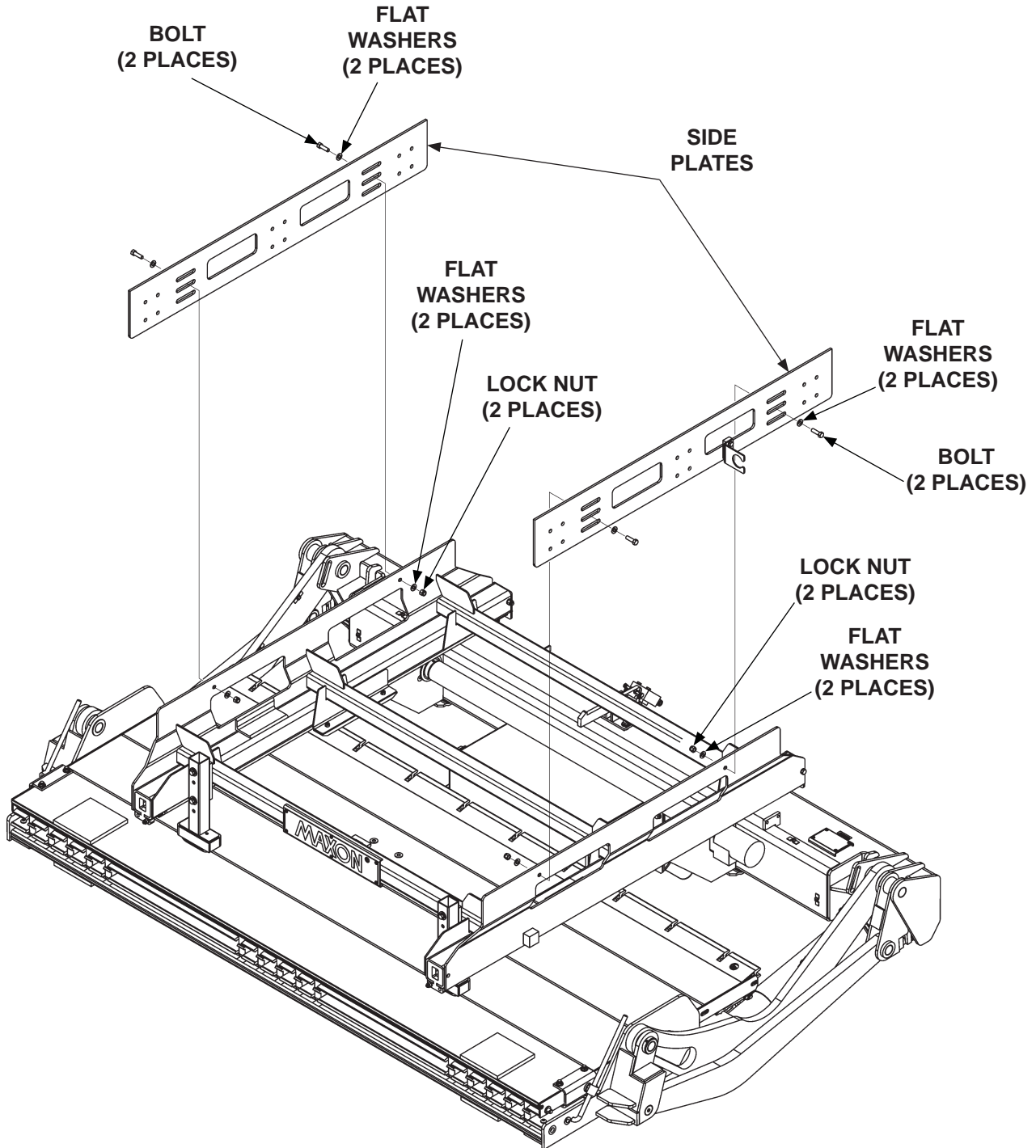


FIG. 8-1

STEP 2 - WELD SIDE PLATE

NOTE: Parts box contains 2 angle steel pieces for positioning side plates under vehicle body. The angles allow side plates to be positioned and clamped to bottom of chassis crossmembers before welding the side plates.

1. Position RH side plate with rounded corners facing up (**FIG. 9-1**).

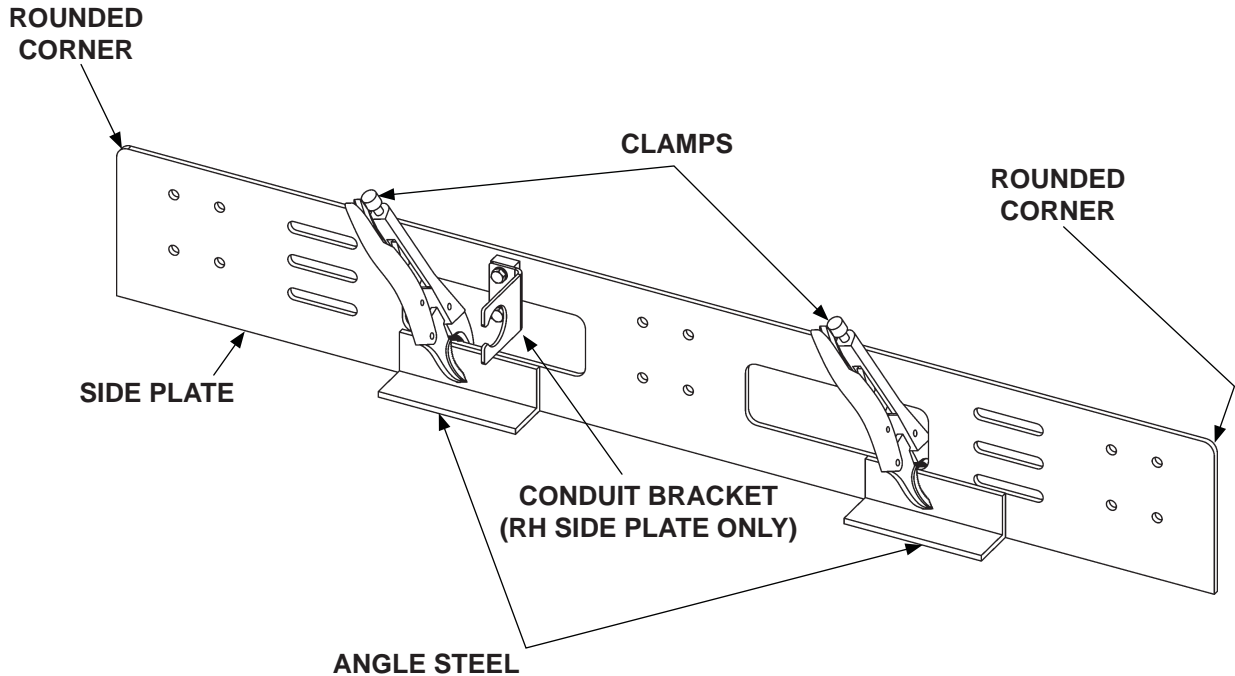


FIG. 9-1

NOTE: Angle steel pieces must be butted against the side plate and flush with the edge of the side plate. Each angle must be positioned to butt against a chassis crossmember under the vehicle.

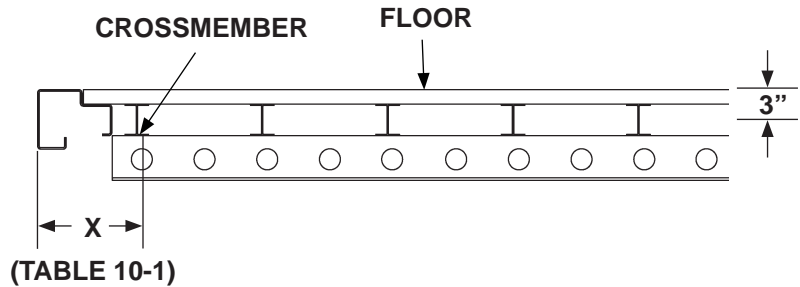
2. Clamp 2 pieces of angle steel to side plate as shown in **FIG. 9-1**.

STEP 2 - WELD SIDE PLATE - Continued

NOTE: The instruction below only applies to trailers with 3" crossmembers. If trailer has 4" crossmembers, go to the next page.

NOTE: To mark a position between 2 crossmembers, attach tape from crossmember-to-crossmember. Remove slack before marking the tape.

3. For 3" trailer crossmembers, mark position for side plate on crossmember (**FIG. 10-1** and **TABLE 10-1**).



**SIDE VIEW - 3" TRAILER CROSSMEMBERS
FIG. 10-1**

BED HEIGHT	DISTANCE ("X")	EXPECTED GROUND CLEARANCE ("Y")
46"	10-3/8"	12-1/8"
47"	10-3/8"	13-1/8"
48"	10-3/8"	14-1/8"
49"	10-3/8"	15-1/8"
50"	10-3/8"	16-1/8"
51"	10-3/8"	17-1/8"
52"	9-1/8"	16-5/8"
53"	9-1/8"	17-5/8"

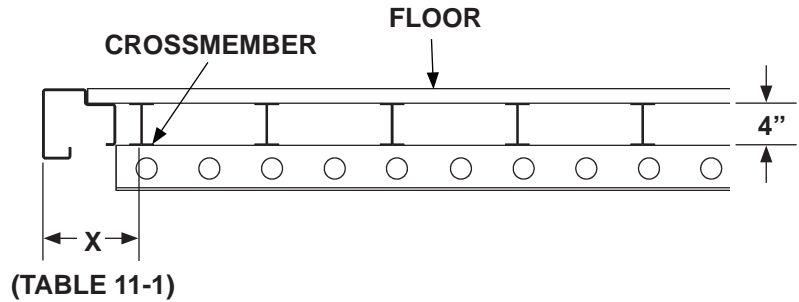
TABLE 10-1

STEP 2 - WELD SIDE PLATE - Continued

NOTE: The instruction below only applies to trailers with 4" crossmembers. If trailer has 3" crossmembers, go to the previous page.

NOTE: To mark a position between 2 crossmembers, attach tape from crossmember-to-crossmember. Remove slack before marking the tape.

4. For 4" trailer crossmembers, mark position for side plate on crossmember (**FIG. 11-1** and **TABLE 11-1**).



**SIDE VIEW - 4" TRAILER CROSS MEMBERS
FIG. 11-1**

BED HEIGHT	DISTANCE ("X")	EXPECTED GROUND CLEARANCE ("Y")
46"	10-3/4"	12-5/8"
47"	10-3/4"	13-5/8"
48"	10-3/4"	14-5/8"
49"	9-9/16"	14-1/8"
50"	9-9/16"	15-1/8"
51"	9-9/16"	16-1/8"
52"	8-1/4"	15-5/8"
53"	8-1/4"	16-5/8"

TABLE 11-1

STEP 2 - WELD SIDE PLATE - Continued

5. Refer to **FIG. 12-1**. Measure the distance (“D”) between slide rails. Then calculate dimension “Y” as follows: $(52\ 7/8" - D) \times 1/2 = Y$

Example where $D = 50"$:

$$Y = (52\ 7/8" - 50") \times 1/2, Y = 2\ 7/8" / 2, Y = 1\ 7/16"$$

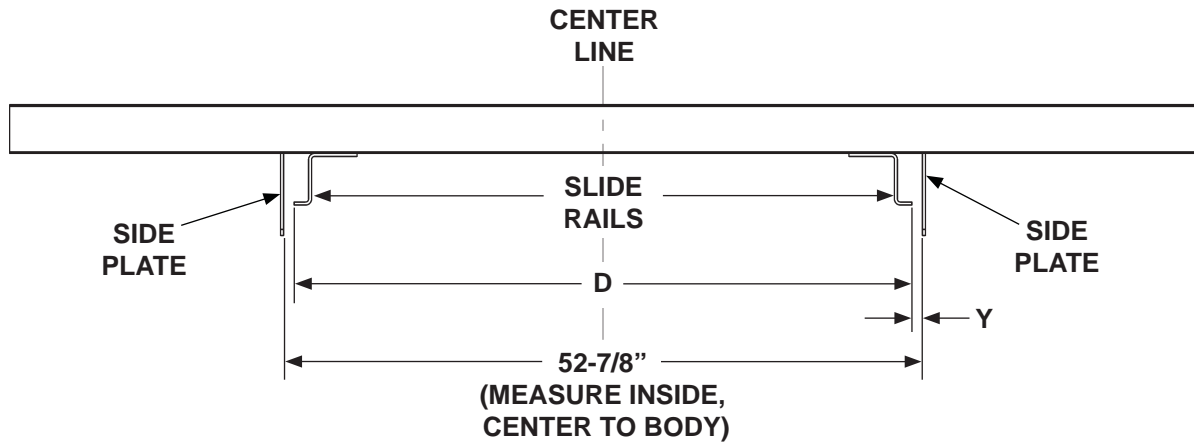


FIG. 12-1

6. Adjust a combination square to the “Y” dimension (**FIG. 12-2**) or fabricate a spacer equal to the thickness of “Y”.

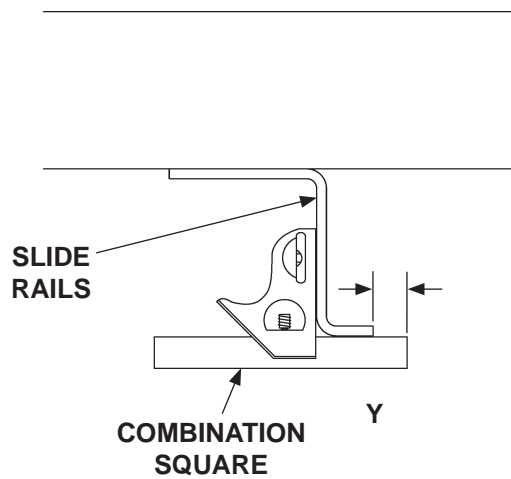


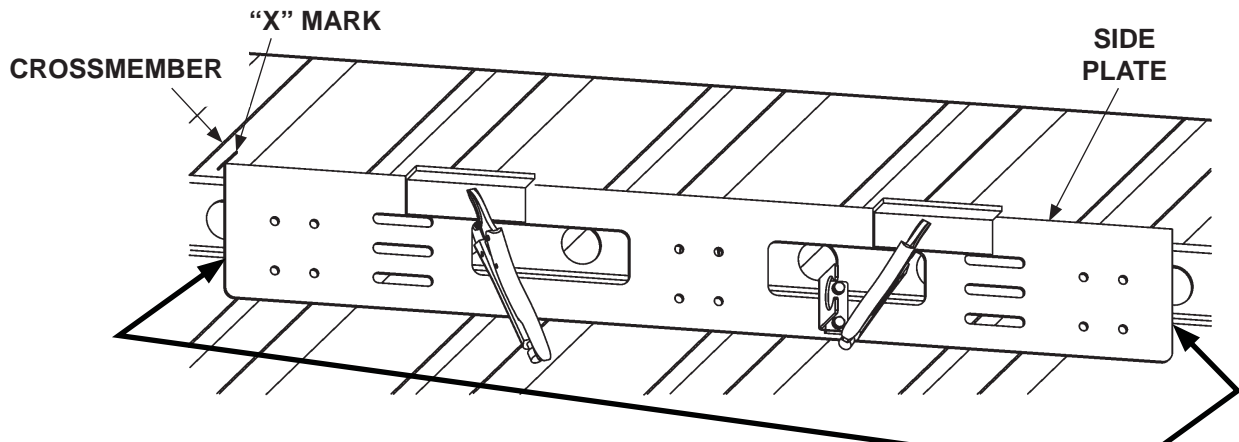
FIG. 12-2

STEP 2 - WELD SIDE PLATE - Continued

⚠ CAUTION

To avoid personal injury, use at least 2 people to position the side plate.

7. Line up end of the side plate with "X" mark on cross-member (FIG. 13-1A) and with the slide rail (FIG. 13-1B).



ALIGNING SIDE PLATE
FIG. 13-1A

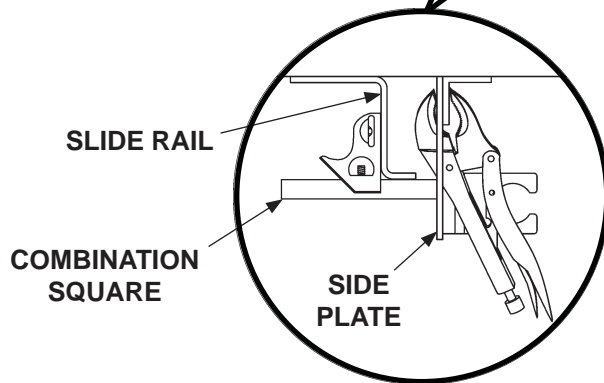


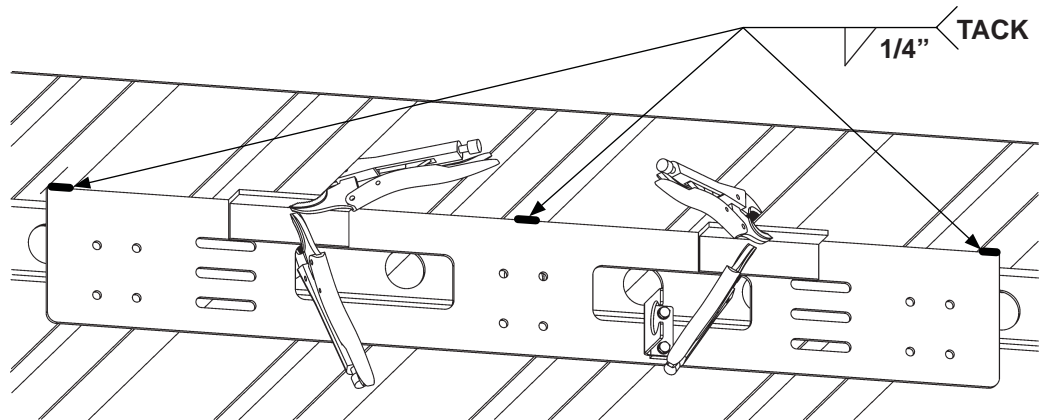
FIG. 13-1B

STEP 2 - WELD SIDE PLATE - Continued

CAUTION

To protect the original paint system on the Liftgate, a 3" wide area of paint must be removed from all sides of the weld area before welding.

8. Tack weld side plate as shown in FIG. 14-1.

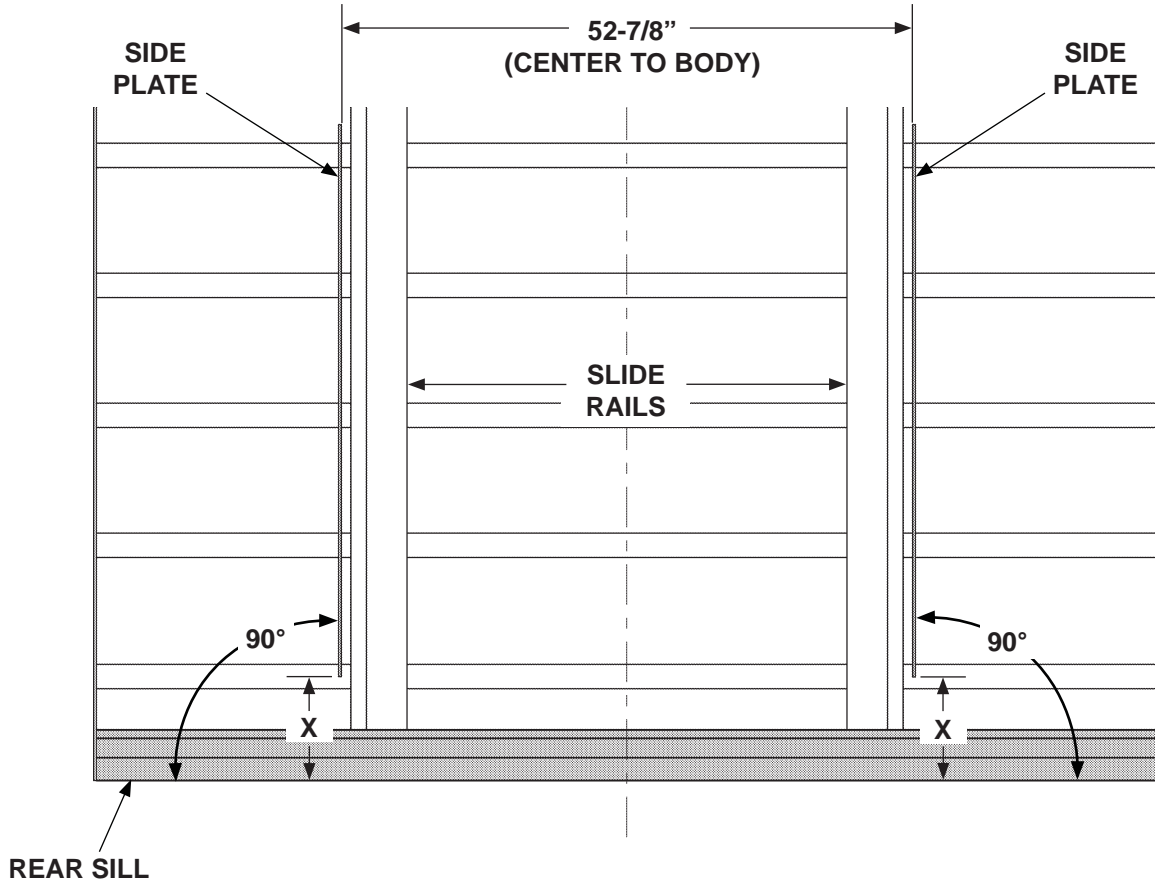


TACK WELDING SIDE PLATES TO CROSSMEMBER
FIG. 14-1

9. Remove clamps and the 2 angles.
10. Repeat 1 through 9 for the LH side plate.

STEP 2 - WELD SIDE PLATE - Continued

11. Ensure the correct dimensions are held. For 3" crossmembers, refer to **FIG. 15-1** and **TABLE 15-1**. For 4" crossmembers, refer to **FIG. 15-1** and **TABLE 15-2**.



CHECKING FOR CORRECT DIMENSIONS
FIG. 15-1

BED HEIGHT	DISTANCE ("X")
46"	10-3/8"
47"	10-3/8"
48"	10-3/8"
49"	10-3/8"
50"	10-3/8"
51"	10-3/8"
52"	9-1/8"
53"	9-1/8"

3" CROSSMEMBERS
TABLE 15-1

BED HEIGHT	DISTANCE ("X")
46"	10-3/4"
47"	10-3/4"
48"	10-3/4"
49"	9-9/16"
50"	9-9/16"
51"	9-9/16"
52"	8-1/4"
53"	8-1/4"

4" CROSSMEMBERS
TABLE 15-2

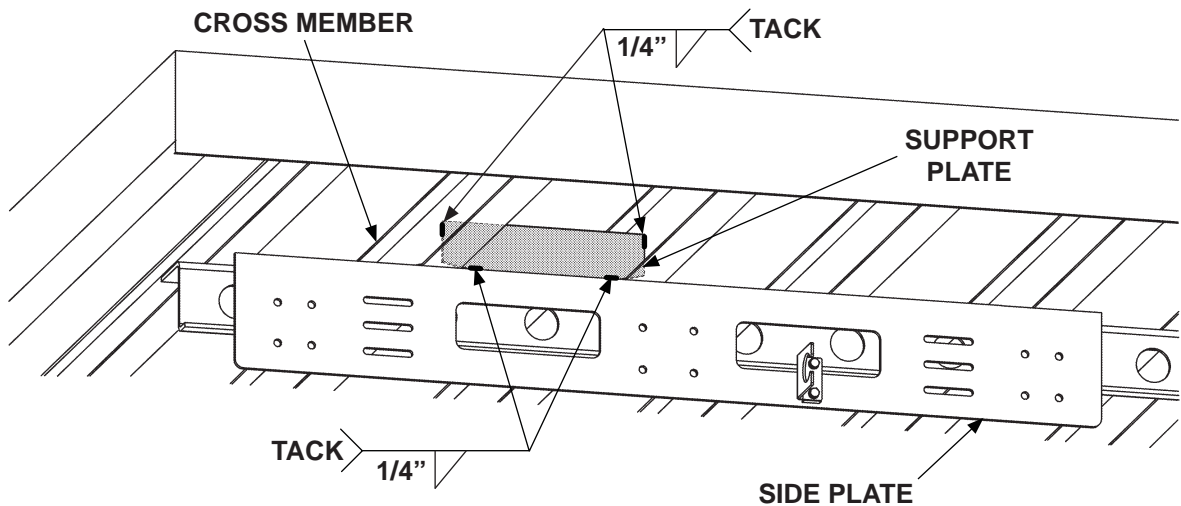
STEP 2 - WELD SIDE PLATE - Continued

CAUTION

To protect the original paint system on the Liftgate, a 3" wide area of paint must be removed from all sides of the weld area before welding.

NOTE: Support plates were made for crossmembers positioned at 12" center distance. If distance is less than 12", cut support plate to the applicable length.

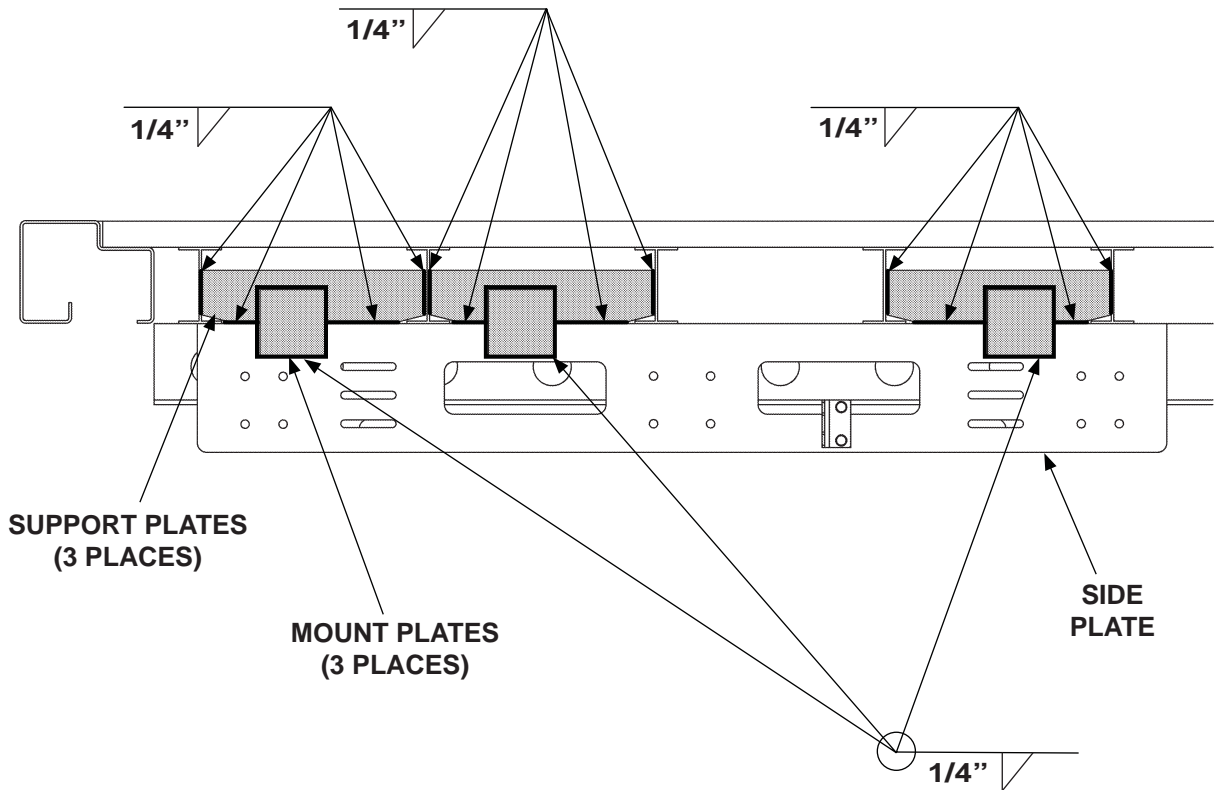
12. Tack weld RH side plate and support plate to crossmembers (**FIG. 16-1**). Repeat for LH side plate.



**TACK WELDING SIDE PLATE & SUPPORT PLATE
TO VEHICLE CROSSMEMBERS (RH SIDE SHOWN)
FIG. 16-1**

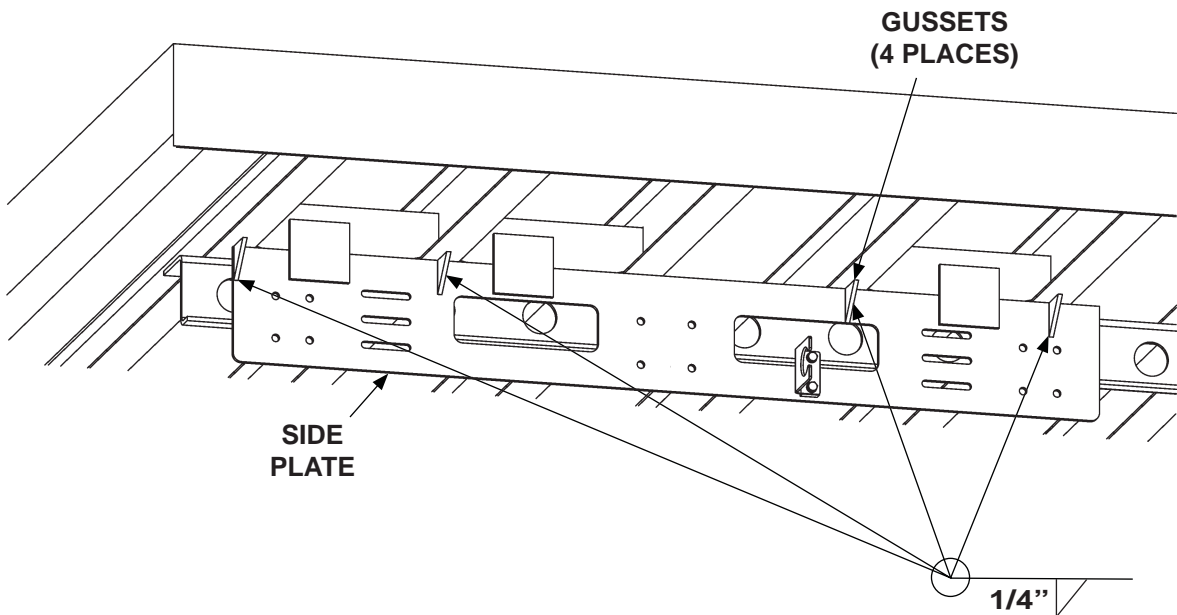
STEP 2 - WELD SIDE PLATE - Continued

13. Weld RH side plate, support plates, and mount plates as shown in FIG. 17-1. Repeat step for LH side plate.



**WELDING SIDE PLATE TO CROSSMEMBERS (RH SHOWN)
FIG. 17-1**

14. Weld gussets to RH side plate as shown in FIG. 17-2. Repeat step for LH side plate.



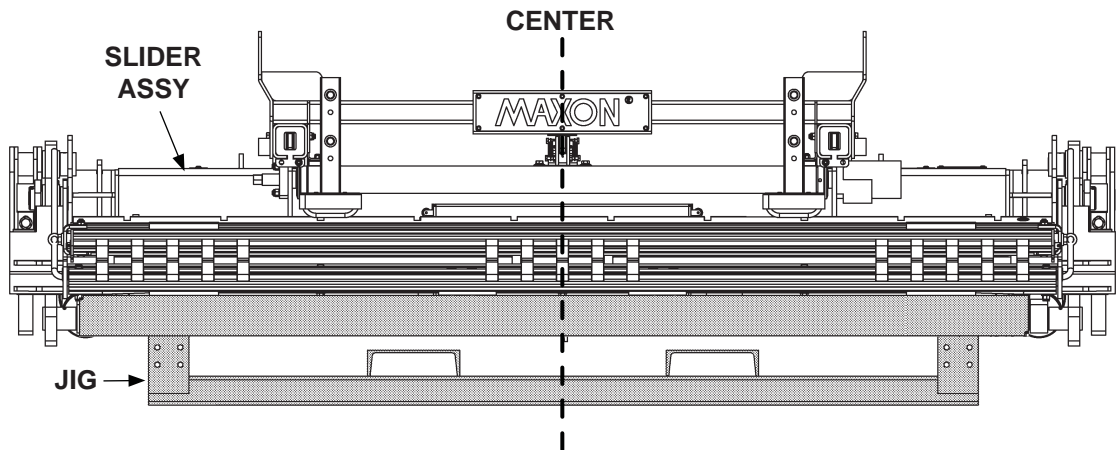
**WELDING GUSSETS TO SIDE PLATE (RH SHOWN)
FIG. 17-2**

STEP 3 - PLACE SLIDER ASSEMBLY ON OPTIONAL JIG

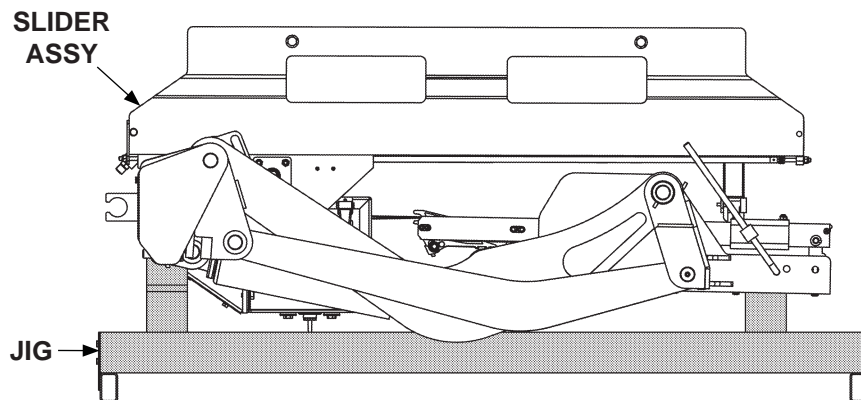
NOTE: MAXON recommends using optional installation jig for lifting and maneuvering slider assembly under the vehicle.

Use forklift to place slider assembly on the installation jig.
Ensure the slider assembly is:

- Centered on the jig (**FIG. 18-1**)
- Correctly supported by the jig (**FIG. 18-2**)



**SLIDER ASSEMBLY CENTERED
ON JIG (FRONT VIEW)
FIG. 18-1**



**SLIDER ASSEMBLY SUPPORTED
BY JIG (LH SIDE VIEW)
FIG. 18-2**

STEP 4 - BOLT ON LIFTGATE

NOTE: Refer to TABLES 19-1 (3" Crossmembers) & 19-2 (4" Crossmembers) for correct mounting distance and slot information.

1. Raise Liftgate to line up the holes in the slider with the proper mounting slots on the side plates (FIGS. 19-1A & 19-1B).

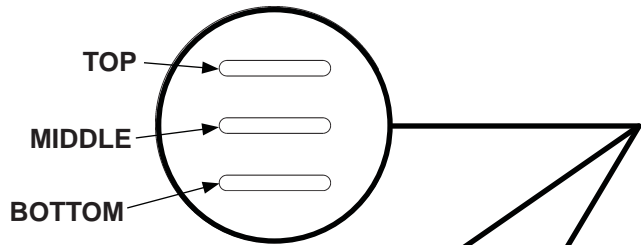
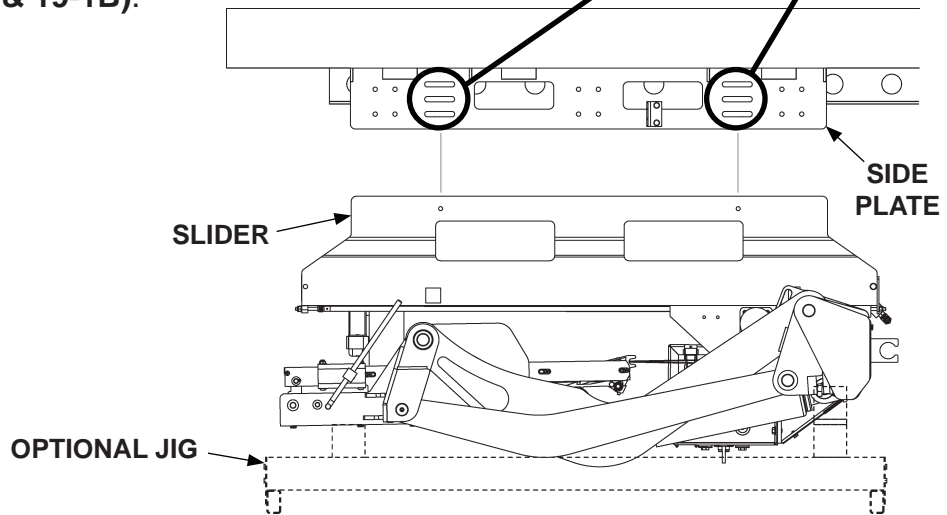


FIG. 19-1B



LINING UP SLIDER WITH SIDE PLATES
(RH SIDE SHOWN)
FIG. 19-1A

BED HEIGHT	SLOT
46"	MIDDLE
47"	MIDDLE
48"	MIDDLE
49"	MIDDLE
50"	MIDDLE
51"	MIDDLE
52"	BOTTOM
53"	BOTTOM

3" CROSSMEMBERS
TABLE 19-1

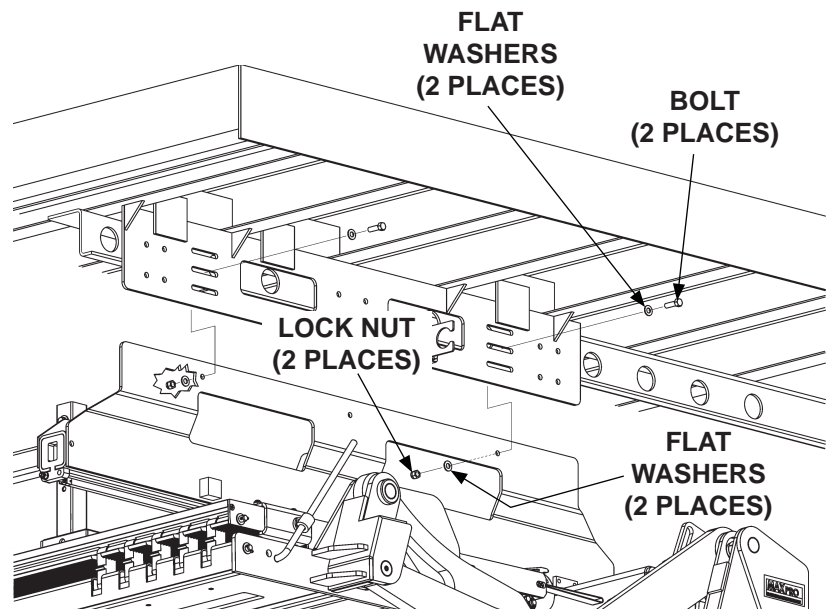
BED HEIGHT	SLOT
46"	TOP
47"	TOP
48"	TOP
49"	MIDDLE
50"	MIDDLE
51"	MIDDLE
52"	BOTTOM
53"	BOTTOM

4" CROSSMEMBERS
TABLE 19-2

STEP 4 - BOLT ON LIFTGATE - Continued

NOTE: Use the bolts, nuts, and flat washers from STEP 1 for bolting on the Liftgate.

2. Bolt Liftgate to RH side plate as shown in **FIG. 20-1**. Repeat step for LH side plate. Before bolts are tightened, position Liftgate all the way toward rear of vehicle body (**FIG. 20-2**).



**BOLTING LIFTGATE TO SIDE PLATES
(RH SIDE SHOWN)
FIG. 20-1**

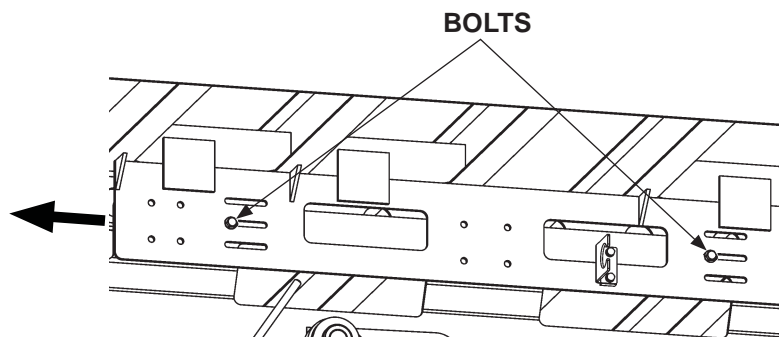
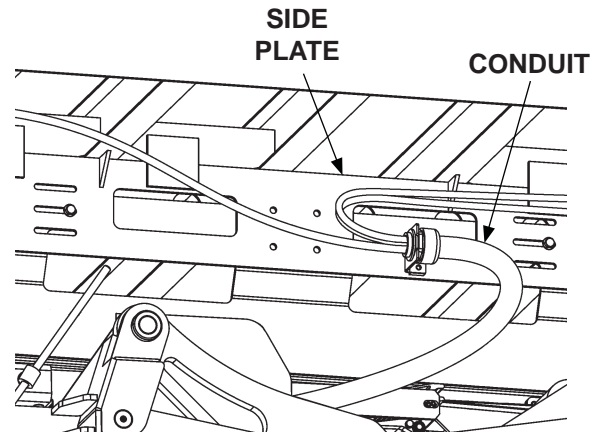


FIG. 20-2

STEP 5 - WELD ON EXTERNAL CONTROL & BRACKET

1. Reconnect conduit to right side plate as shown in FIG. 21-1.



**RECONNECTING CONDUIT
TO RH SIDE PLATE
FIG. 21-1**

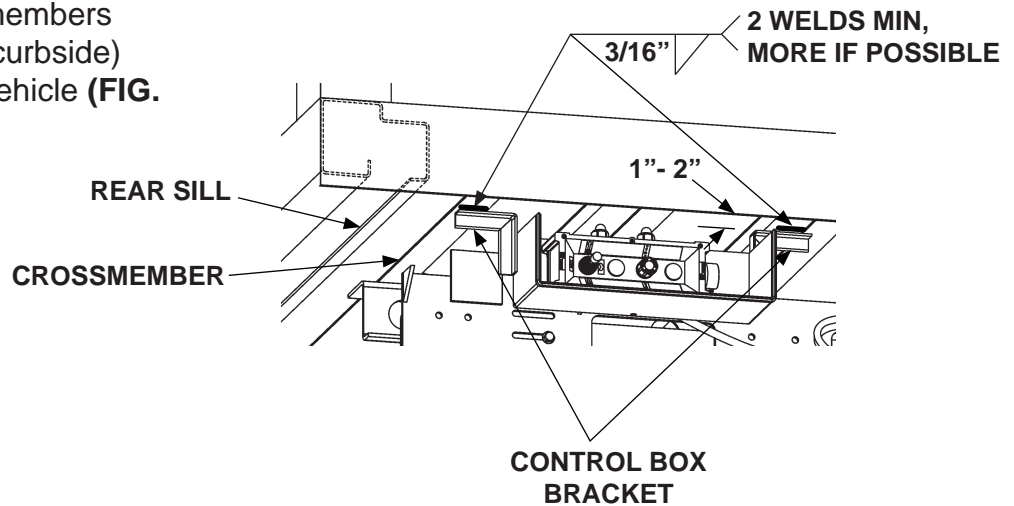
CAUTION

Prevent damage to control box. Make sure installed control box does not protrude from the vehicle body.

CAUTION

To protect the original paint system, a 3" wide area of paint must be removed from bracket on all sides of the weld area before welding.

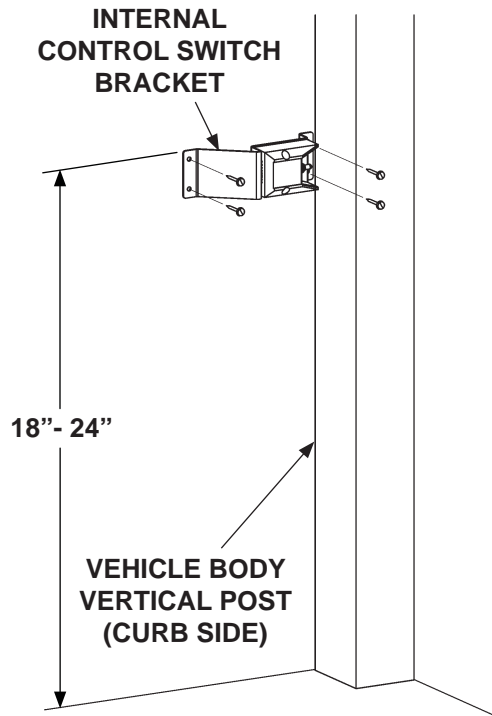
2. Weld the control box bracket to vehicle crossmembers on the RH side (curbside) near rear sill of vehicle (FIG. 21-2).



**WELDING BRACKET TO CROSSMEMBERS
FIG. 21-2**

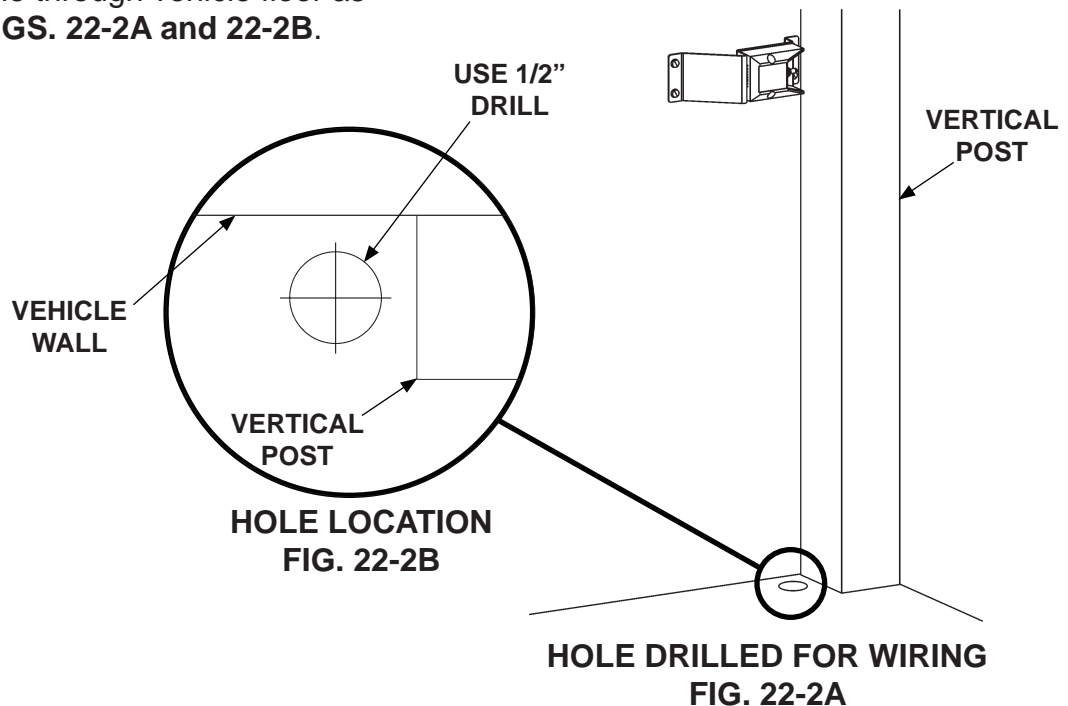
STEP 6 - BOLT ON INTERNAL CONTROL SWITCH

1. Use internal control switch bracket to mark and drill 4 holes for mounting next to vertical post (curb side). Bolt internal control box to vehicle body with self-tapping screws (**FIG. 22-1**).



BOLTING INTERNAL SWITCH BRACKET TO VEHICLE BODY
FIG. 22-1

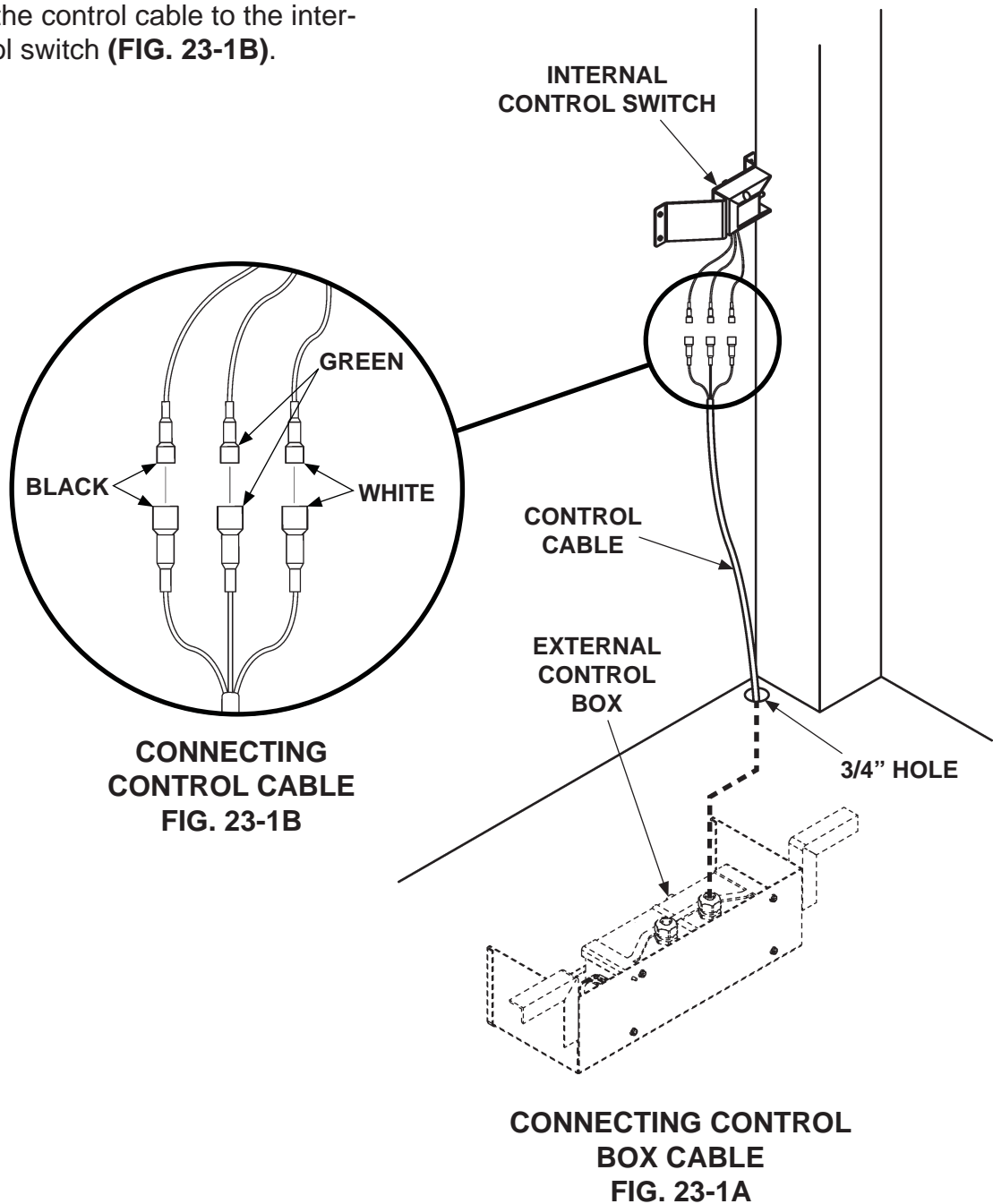
2. Drill 1/2" hole through vehicle floor as shown in **FIGS. 22-2A and 22-2B**.



STEP 6 - BOLT ON INTERNAL CONTROL SWITCH - Continued

NOTE: MAXON recommends using dielectric grease on all electrical connections.

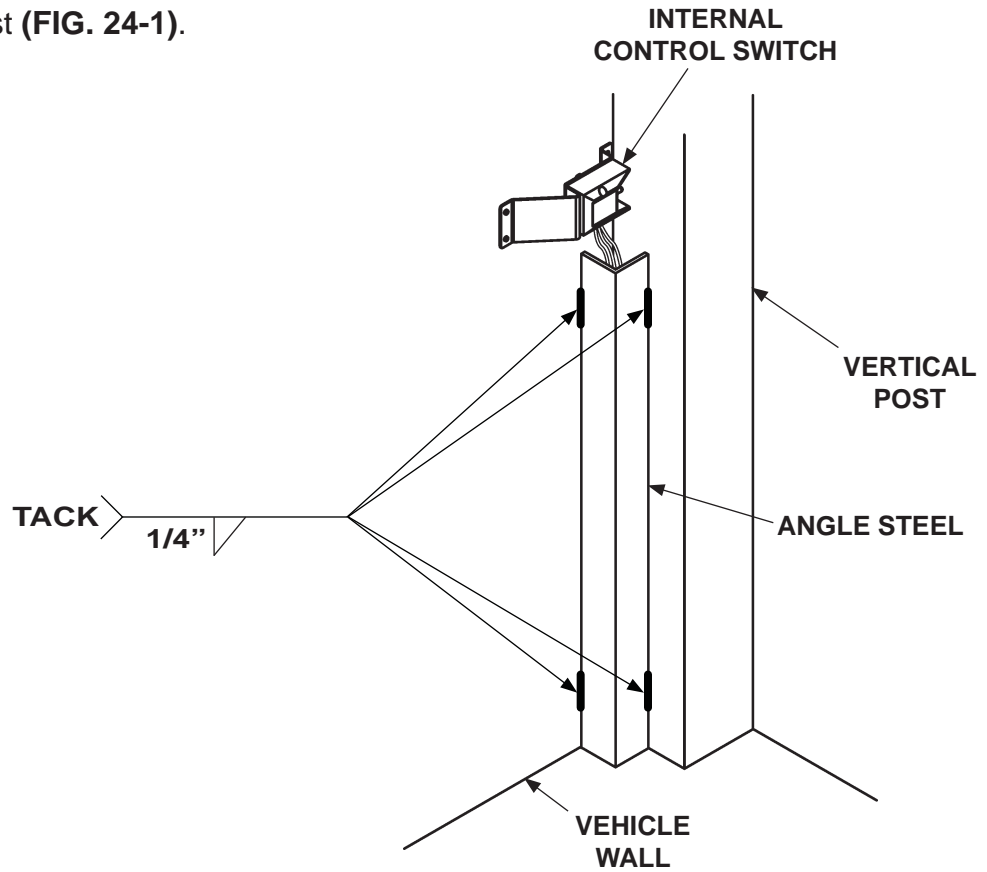
3. Run control cable from external control box, under vehicle body (see dashed line, FIG. 23-1A), and up through vehicle floor. Pull control cable through 3/4" hole (FIG. 23-1A).
4. Connect the control cable to the internal control switch (FIG. 23-1B).



STEP 6 - BOLT ON INTERNAL CONTROL SWITCH - Continued

NOTE: MAXON does not supply the angle steel shown below.

5. Tack weld angle steel to vehicle wall and vehicle post (FIG. 24-1).

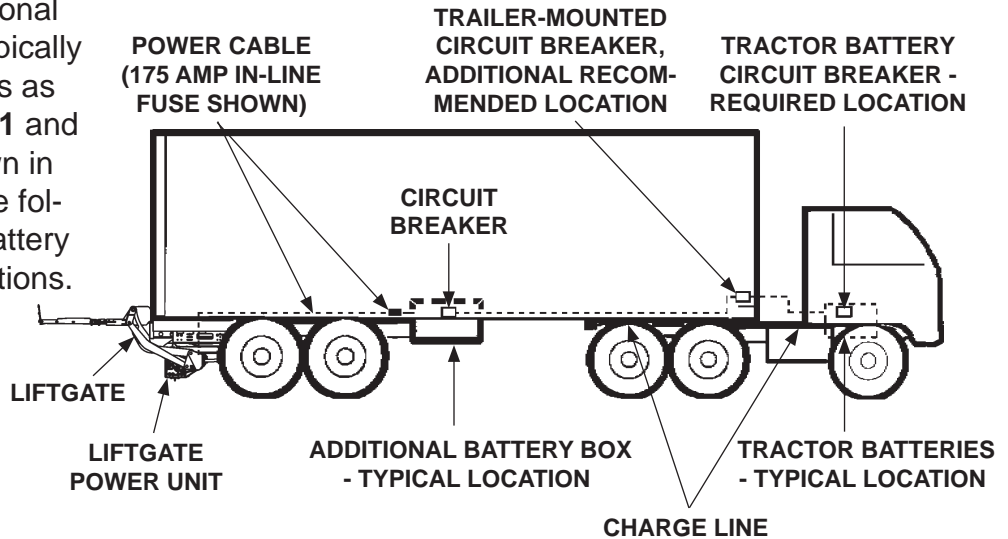


**RUNNING CONTROL BOX CABLE
FIG. 24-1**

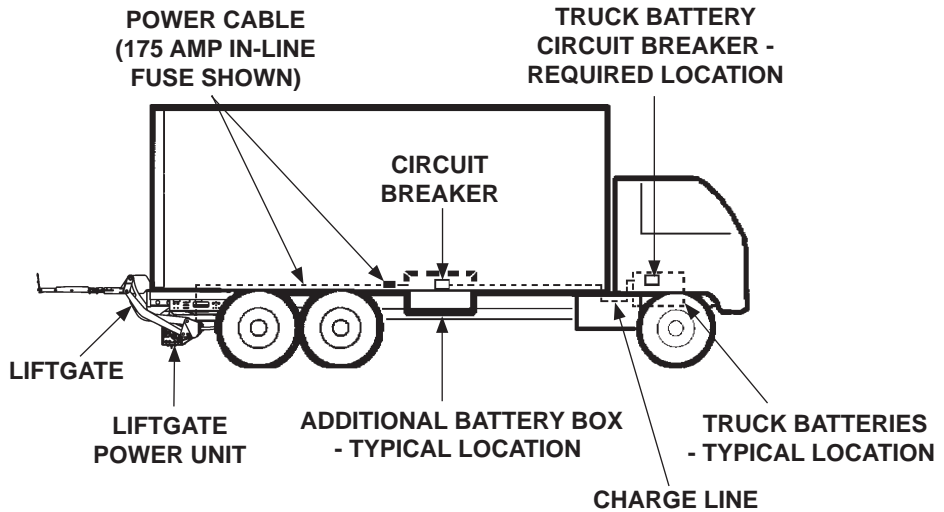
STEP 7 - RECOMMENDED LIFTGATE POWER CONFIGURATION

NOTE: Make sure the Liftgate power unit, and all batteries on the vehicle for the power unit, are connected correctly to a common chassis ground.

1. Liftgate and additional battery box are typically installed on trailers as shown in **FIG. 25-1** and on trucks as shown in **FIG. 25-2**. See the following page for battery and cable connections.



RECOMMENDED LIFTGATE & BATTERY BOX INSTALLATION ON TRAILER
FIG. 25-1



RECOMMENDED LIFTGATE & BATTERY BOX INSTALLATION ON TRUCK
FIG. 25-2

STEP 7 - RECOMMENDED LIFTGATE POWER CONFIGURATION - Continued

NOTE: Always connect fused end of power cable to battery positive (+) terminal.

2. Recommended battery box setup for **6 volt batteries** is shown in **FIG. 26-1**.

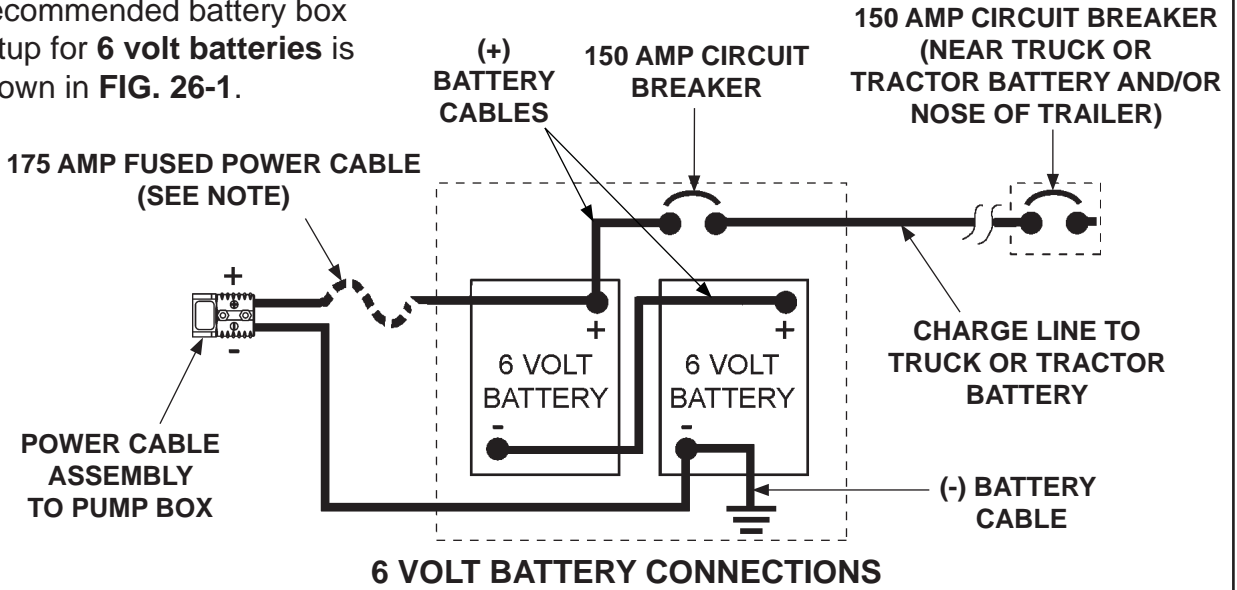


FIG. 26-1

NOTE: Always connect fused end of power cable to battery positive (+) terminal.

3. Recommended battery box setup for **12 volt batteries** is shown in **FIG. 26-2**.

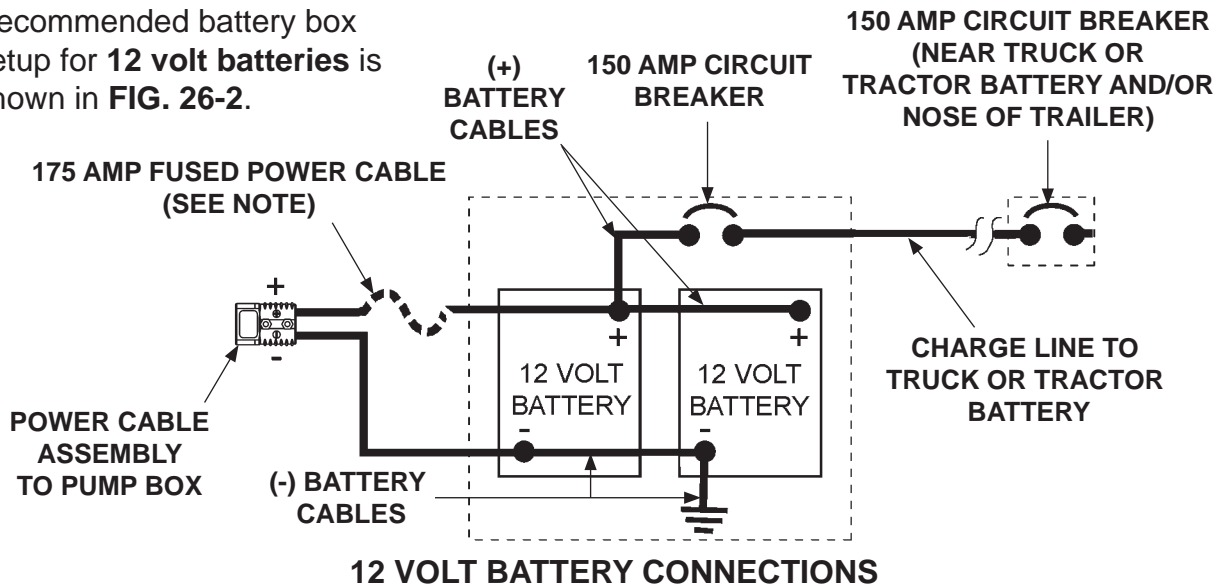


FIG. 26-2

STEP 8 - CONNECTING POWER

NOTE: MAXON recommends using dielectric grease on all electrical connections.

Connect power cable as shown in **FIG. 27-1**.

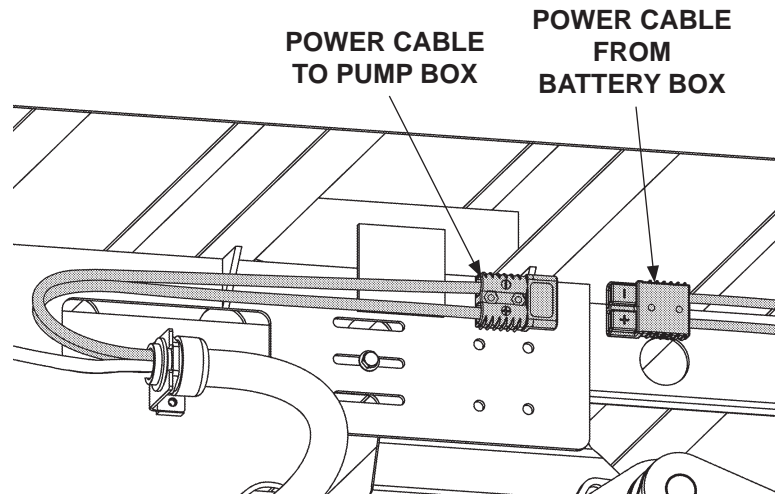


FIG. 27-1

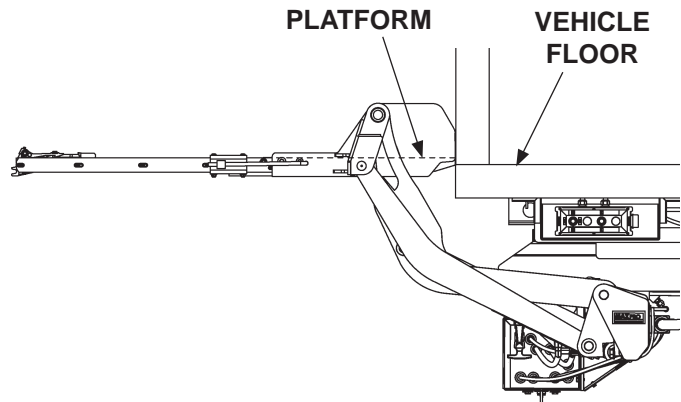
STEP 9 - LEVELING PLATFORM

CAUTION

Operate Liftgate with caution until installation is complete.

NOTE: Refer to **Operating Instructions** decal and applicable **WARNING & CAUTION** decals.

1. Raise platform above vehicle floor height (**FIG. 28-1**).



PLATFORM ABOVE VEHICLE FLOOR
FIG. 28-1

2. Loosen bolts on both side plates (**FIG. 28-2**). Lower platform flush with vehicle floor (**FIG. 28-3**). Next, nudge the Liftgate toward the front of vehicle (**FIG. 28-1**). Then tighten bolts. Torque each bolt to **120 lb-ft**.

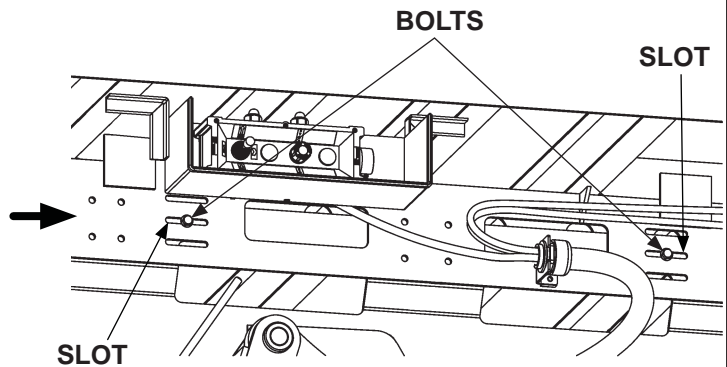
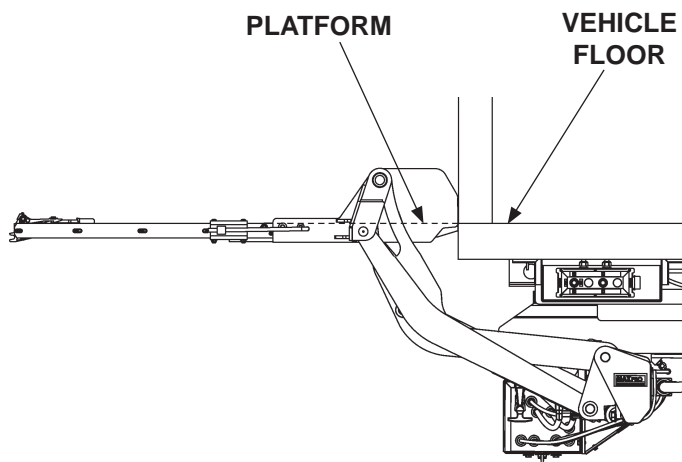


FIG. 28-2



PLATFORM FLUSH WITH VEHICLE FLOOR
FIG. 28-3

STEP 10 - FINAL BOLTING

NOTE: Six holes must be drilled through each side of the slider frame to bolt RH and LH side plates to slider frame on the Liftgate. (See FIGS. 29-1A, 29-1B, 29-1C & 29-1D.)

1. Use side plate as a template to drill 6 holes (1/2" dia.) in slider frame (FIG. 29-1A). Repeat for LH side.

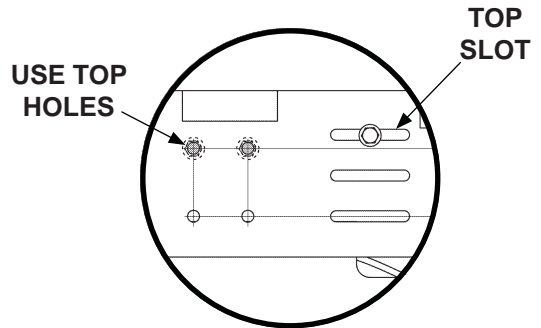


FIG. 29-1B

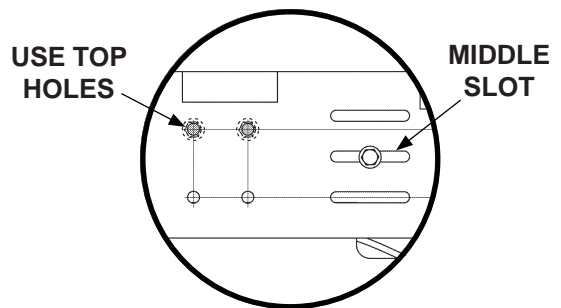


FIG. 29-1C

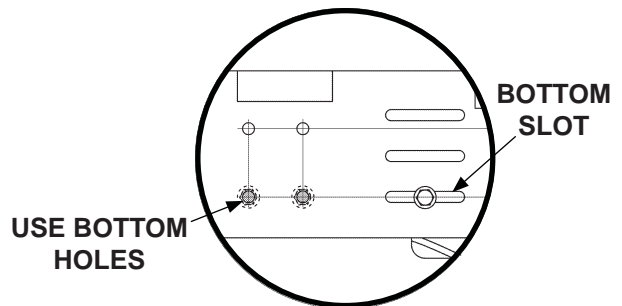


FIG. 29-1D

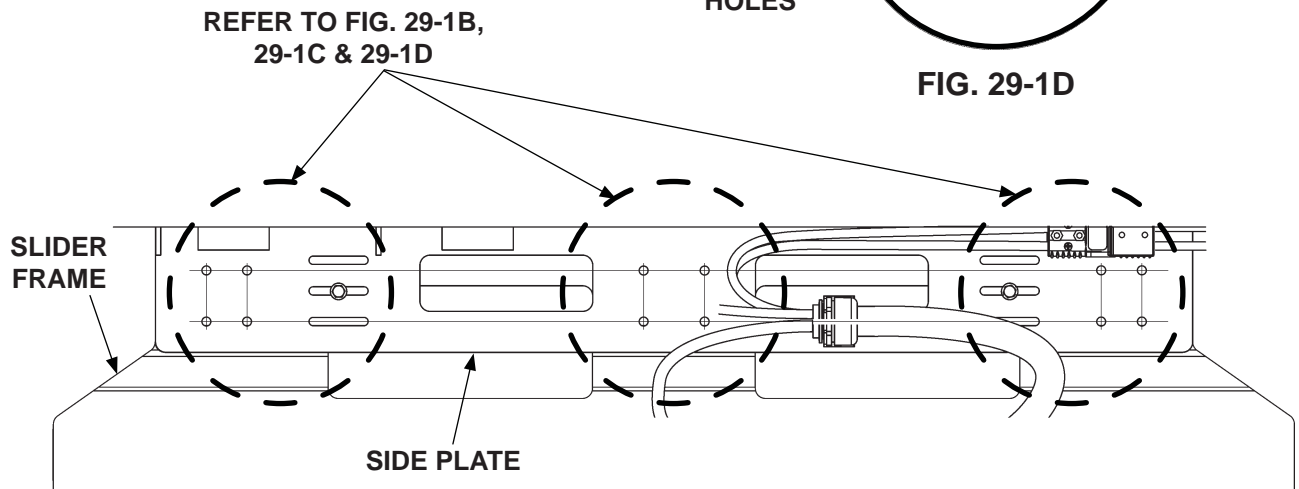


FIG. 29-1A

STEP 10 - FINAL BOLTING - Continued

- 2. Bolt RH side plate to slider frame as shown in **FIG. 30-1**. Repeat for LH side. Torque each bolt to **120 lb-ft**.

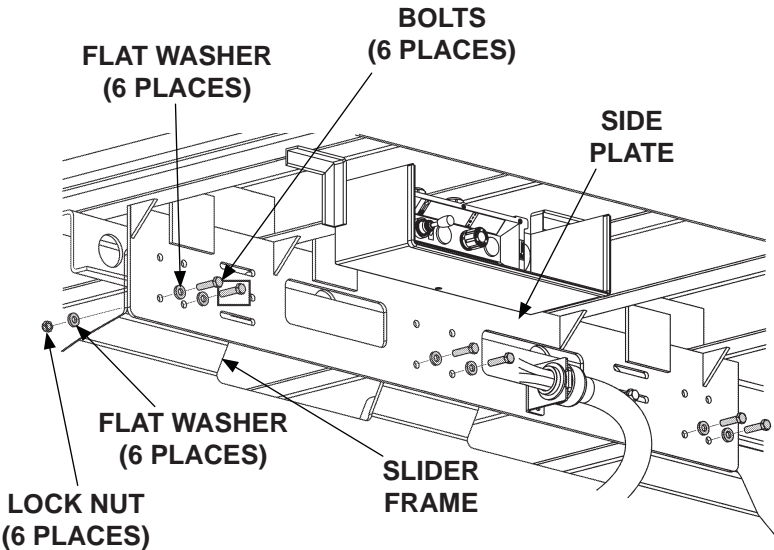
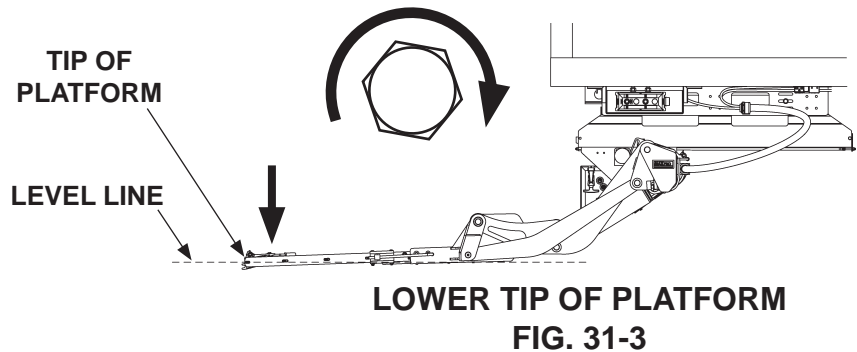
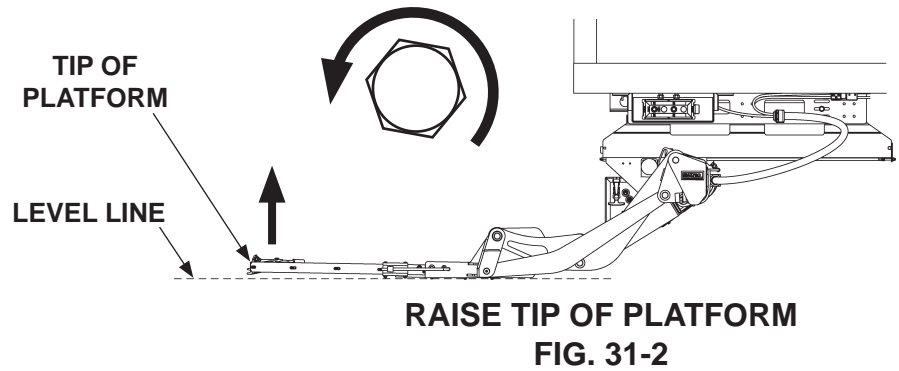
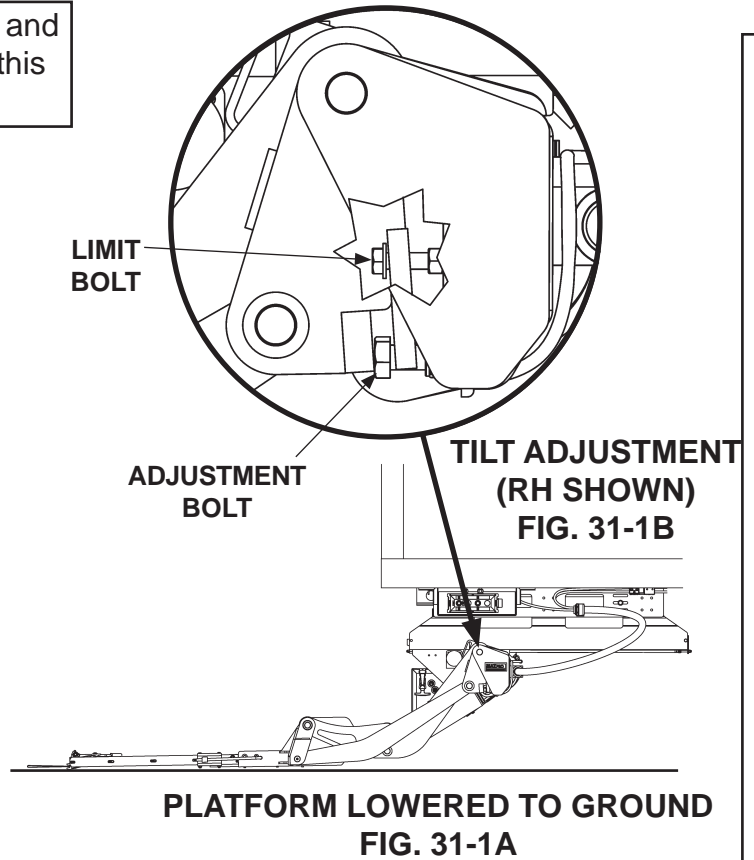


FIG. 30-1

STEP 11 - PLATFORM ADJUSTMENT

NOTE: Park vehicle on level ground and unload vehicle before doing this procedure.

1. Lower platform to ground and unfold flipover (**FIG. 31-1A**).
2. Loosen adjustment and limit bolts on both sides of platform (**FIG. 31-1B**).
3. Turn adjustment bolts counterclockwise to tilt the tip of platform up (**FIG. 31-2**), or turn clockwise to tilt down (**FIG. 31-3**).
4. Once platform is adjusted, tighten limit bolts securely on both sides of platform (**FIG. 31-1B**).



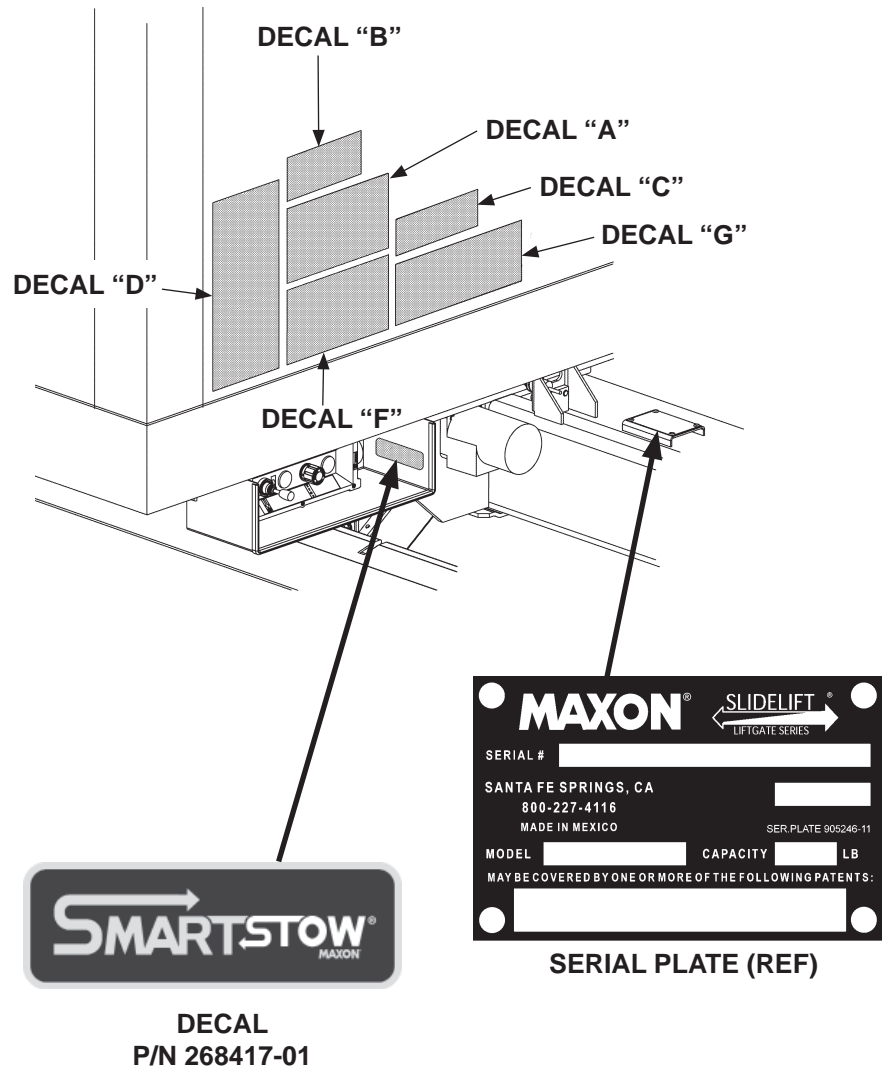
STEP 12 - ATTACH SLIDING AXEL STOPS (IF REQUIRED)

CAUTION

The sliding axel assembly on a trailer can collide with a Liftgate mounted on the slide rails. To prevent damage to Liftgate and trailer, install stops on the slide rails to keep the sliding axels from hitting Liftgate. Refer to Liftgate clearance dimensions in this section of the manual.

If the Liftgate is mounted on a slide-axel trailer, attach stops on the slide rails to prevent the slide axels from hitting the Liftgate. Refer to the **VEHICLE REQUIREMENTS** section in this manual.

ATTACH DECALS (WITH SMART STOW)



P/N 267431-01 (GPSLR-33) & P/N 267431-02 (GPSLR-44)
FIG. 33-1

ATTACH DECALS - Continued WITH SMART STOW

SAFETY INSTRUCTIONS

Read all decals and operation manual before operating liftgate.

1. Do not use liftgate unless you have been properly instructed and have read, and are familiar with, the operating instructions.
2. Be certain vehicle is properly and securely braked before using the liftgate.
3. Always inspect this liftgate for maintenance or damage before using it. Do not use liftgate if it shows any sign of damage or improper maintenance.
4. Do not overload
5. Make certain the area in which the platform will open and close is clear before opening or closing the platform.
6. Make certain platform area, including the area in which loads may fall from platform, is clear before and at all times during operation of liftgate.
7. This liftgate is intended for loading and unloading of cargo only. Do not use this liftgate for anything but its intended use.

(A)

WARNING

Read this information carefully.

- Improper operation of this Liftgate can result in serious personal injury. If you do not have a copy of the operating instructions, please obtain them from your employer, distributor, or lessor before you attempt to operate Liftgate.
- If there are signs of improper maintenance, damage to vital parts, or slippery platform surface, do not use the Liftgate until these problems have been corrected.
- If you are using a pallet jack, be sure it can be maneuvered safely.
- Do not operate a forklift on the platform.
- Do not allow any part of yours or your helper's body to be placed under, within, or around any portion of the moving Liftgate, or its mechanisms, or in a position that would trap them between the platform and the ground or truck when the Liftgate is operated.
- If a helper is riding the platform with you, make sure you are both doing so safely and that you are not in danger of coming in contact with any moving or potentially moving obstacles.
- **USE GOOD COMMON SENSE.**
- If load appears to be unsafe, do not lift or lower it.

For a free copy of other manuals that pertain to this model Liftgate, please visit our website at www.maxonlift.com or call Customer Service at (800) 227-4116.

(F)



WARNING

Liftgate hazards can result in crushing or falling.

Keep hands and feet clear of pinch points.

If riding liftgate, make sure load is stable and footing is solid.

Read and understand all instructions and WARNINGS before use.

(G)

CAUTION

Always stand clear of platform area.

(C)

THE MAXIMUM CAPACITY OF THIS LIFT IS

3300 POUNDS

WHEN THE LOAD IS CENTERED ON THE LOAD CARRYING PLATFORM

(B)

GPSLR 33 ONLY

THE MAXIMUM CAPACITY OF THIS LIFT IS

4400 POUNDS

WHEN THE LOAD IS CENTERED ON THE LOAD CARRYING PLATFORM

(B)

GPSLR 44 ONLY

OPERATING INSTRUCTIONS

1. Power On
2. Slide Out To Unstow
3. Manually unfold using strap.
4. Raise
5. Lower
6. Manually fold using strap.
7. Slide In To Stow
8. Power Off

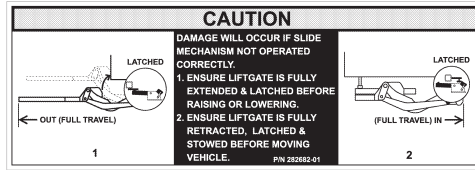
IMPORTANT: Release switches when liftgate shuts off.

(D)

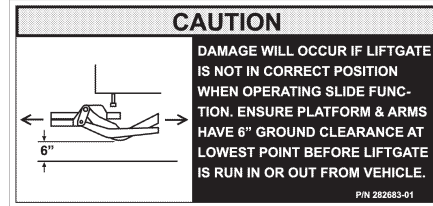
DECAL SHEET
FIG. 34-1

MAXON 11921 Slauson Ave. Santa Fe Springs, CA. 90670 (800) 227-4116 FAX (888) 771-7713

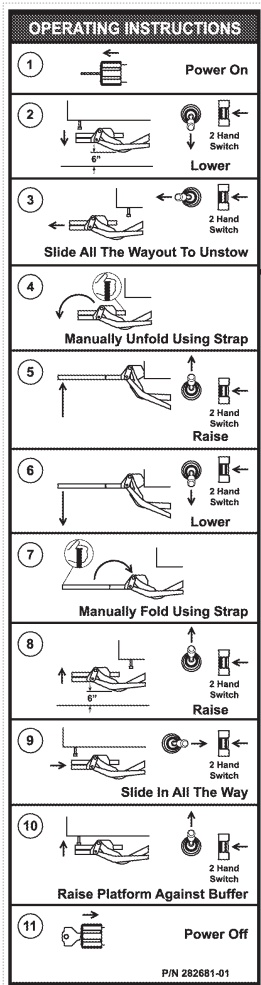
ATTACH DECALS (WITHOUT CONTROLLER)



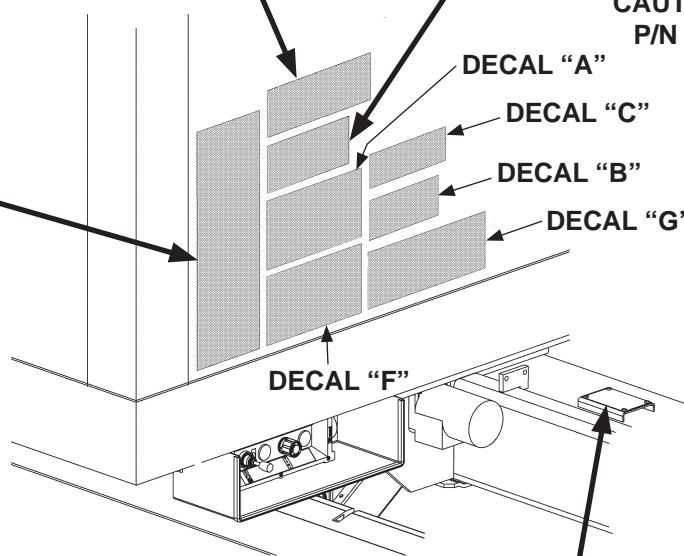
**CAUTION DECAL
P/N 282682-01**



**CAUTION DECAL
P/N 282683-01**



**OPERATION DECAL
P/N 282681-01**



SERIAL PLATE (REF)

**P/N 282464-01 (GPSLR-33) & P/N 282464-02 (GPSLR-44)
FIG. 35-1**

ATTACH DECALS - Continued WITHOUT CONTROLLER

SAFETY INSTRUCTIONS

Read all decals and operation manual before operating liftgate.

1. Do not use liftgate unless you have been properly instructed and have read, and are familiar with, the operating instructions.
2. Be certain vehicle is properly and securely braked before using the liftgate.
3. Always inspect this liftgate for maintenance or damage before using it. Do not use liftgate if it shows any sign of damage or improper maintenance.
4. Do not overload
5. Make certain the area in which the platform will open and close is clear before opening or closing the platform.
6. Make certain platform area, including the area in which loads may fall from platform, is clear before and at all times during operation of liftgate.
7. This liftgate is intended for loading and unloading of cargo only. Do not use this liftgate for anything but its intended use.

(A)

WARNING

Read this information carefully.

- Improper operation of this Liftgate can result in serious personal injury. If you do not have a copy of the operating instructions, please obtain them from your employer, distributor, or lessor before you attempt to operate Liftgate.
- If there are signs of improper maintenance, damage to vital parts, or slippery platform surface, do not use the Liftgate until these problems have been corrected.
- If you are using a pallet jack, be sure it can be maneuvered safely.
- Do not operate a forklift on the platform.
- Do not allow any part of yours or your helper's body to be placed under, within, or around any portion of the moving Liftgate, or its mechanisms, or in a position that would trap them between the platform and the ground or truck when the Liftgate is operated.
- If a helper is riding the platform with you, make sure you are both doing so safely and that you are not in danger of coming in contact with any moving or potentially moving obstacles.
- **USE GOOD COMMON SENSE.**
- If load appears to be unsafe, do not lift or lower it.

For a free copy of other manuals that pertain to this model Liftgate, please visit our website at www.maxonlift.com or call Customer Service at (800) 227-4116.

(F)

WARNING

Liftgate hazards can result in crushing or falling.

Keep hands and feet clear of pinch points.

If riding liftgate, make sure load is stable and footing is solid.

Read and understand all instructions and WARNINGS before use.

(G)

CAUTION

Always stand clear of platform area.

(C)

THE MAXIMUM CAPACITY OF THIS LIFT IS

3300 POUNDS

WHEN THE LOAD IS CENTERED ON THE LOAD CARRYING PLATFORM

(B)

GPSLR 33 ONLY

THE MAXIMUM CAPACITY OF THIS LIFT IS

4400 POUNDS

WHEN THE LOAD IS CENTERED ON THE LOAD CARRYING PLATFORM

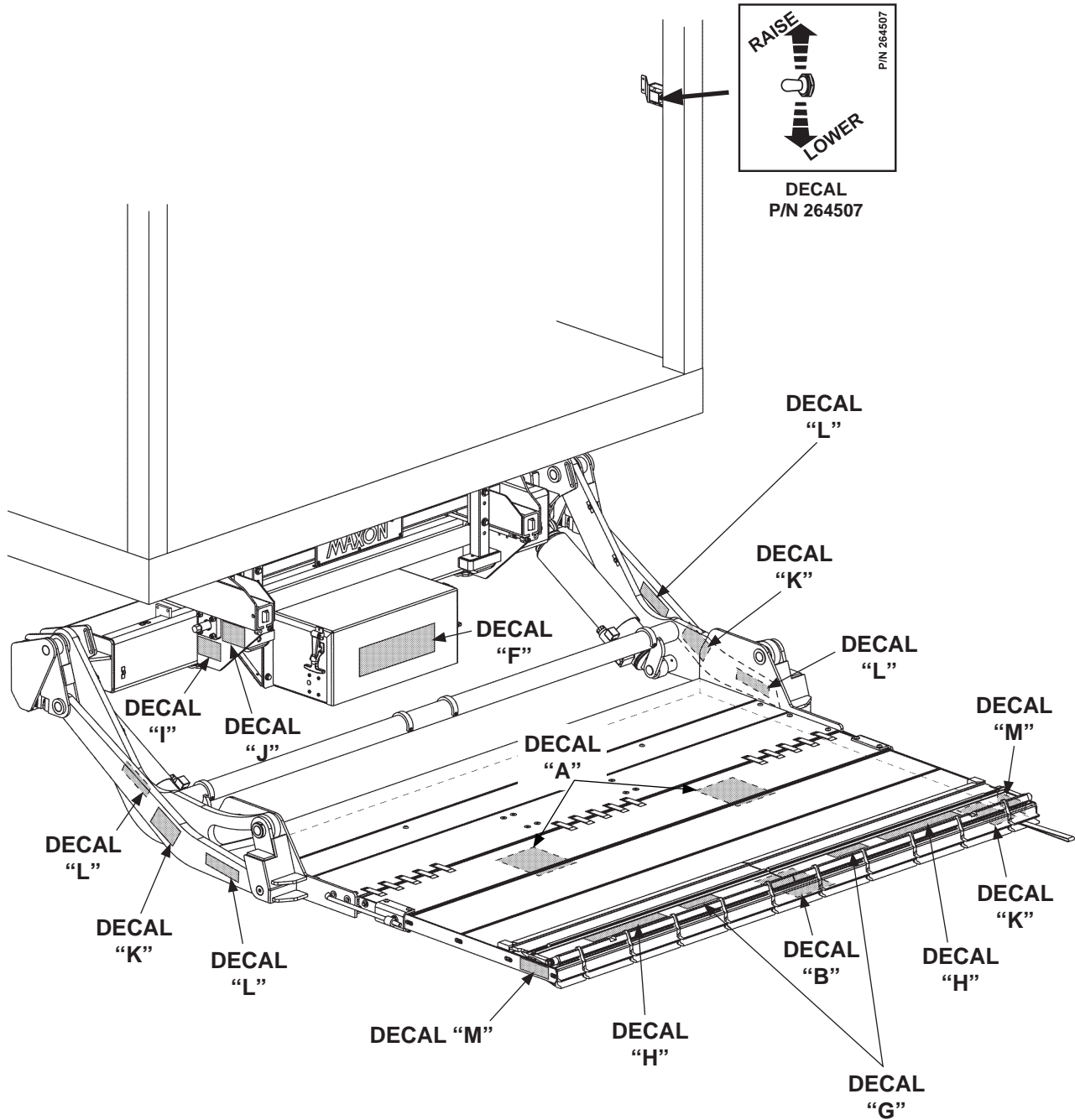
(B)

GPSLR 44 ONLY

DECAL SHEET
FIG. 36-1

MAXON® 11921 Slauson Ave. Santa Fe Springs, CA. 90670 (800) 227-4116 FAX (888) 771-7713

DECAL POSITIONS



DECAL POSITIONS - Continued

WARNING

When unstowing & stowing platform, stay clear of bumpers.

P/N 267432-01 (A)

WARNING

To avoid injury stay out of the path where the platform unfolds. Unfold platform from the side.

P/N 267432-01 (B)

WARNING

Avoid possible injury & damage to equipment if slider moves under power. Ensure battery is disconnected from lift-gate before operating the slider manually.

P/N 267432-01 (J)

MANUAL SLIDER OPERATION & ACCESS INSTRUCTIONS

P/N 267432-01 (I)

WARNING

To prevent personal injury & equipment damage, avoid working under the platform while platform is raised off the ground. Refer to Maintenance Manual for additional safety instructions.

(F)

WARNING

Keep hands clear of pinch points when folding flipover.

(M)

WARNING

To avoid possible injury and damage to equipment, never stand on lift arms, parallel arms, or bottom side of platform.

P/N 267432-01 (K)

WARNING

Keep hands & feet clear of lifting arms.

P/N 267432-01 (L)

WARNING

To prevent personal injury & damaged equipment, ramp must be in retention position when cart is being raised or lowered on platform.

P/N 267432-01 (G)

1 a. Lift
b. Pull to unhook ramp

2 Release RH ramp and/or LH Ramp

3 a. Slide
b. Rotate

4 a. Pull
b. Rotate

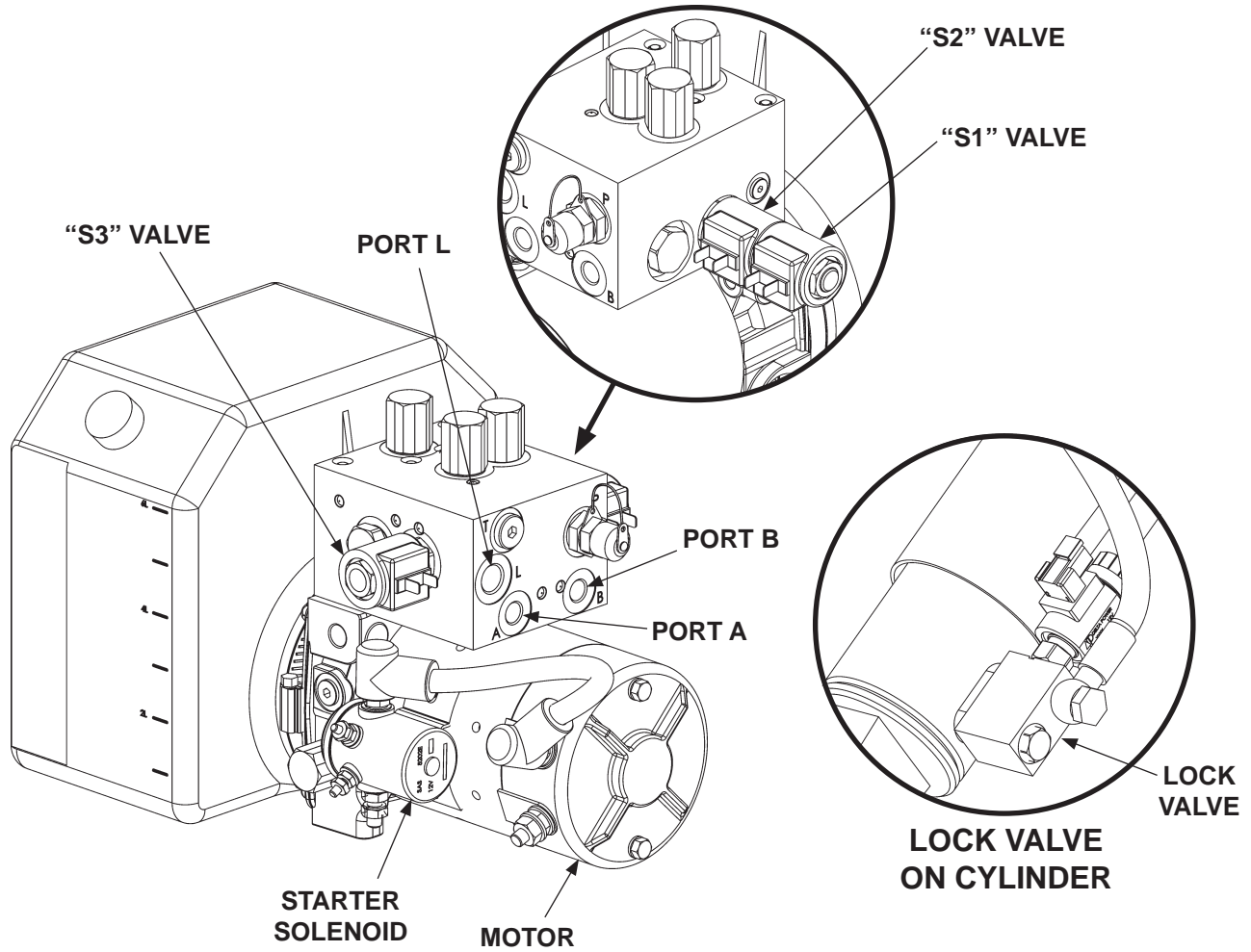
5 a. Rotate
b. Slide
c. Hook

P/N 267432-01 (H)

DECAL SHEET 267432-01
FIG. 38-1

SYSTEM DIAGRAMS

PUMP & MOTOR SOLENOID OPERATION



POWER UNIT MOTOR & SOLENOID OPERATION						
LIFTGATE FUNCTION	PORT	SOLENOID OPERATION (✓ MEANS ENERGIZED)				
		MOTOR	VALVE "S1"	VALVE "S2"	VALVE "S3"	LOCK VALVE
RAISE	L	✓	-	-	-	✓
LOWER	L	-	-	-	✓	✓
SLIDE OPEN	A	✓	-	✓	-	-
SLIDE CLOSED	B	✓	✓	-	-	-

REFER TO VALVES SHOWN ON
HYDRAULIC SCHEMATIC

TABLE 39-1

SYSTEM DIAGRAMS - Continued

HYDRAULIC SCHEMATIC

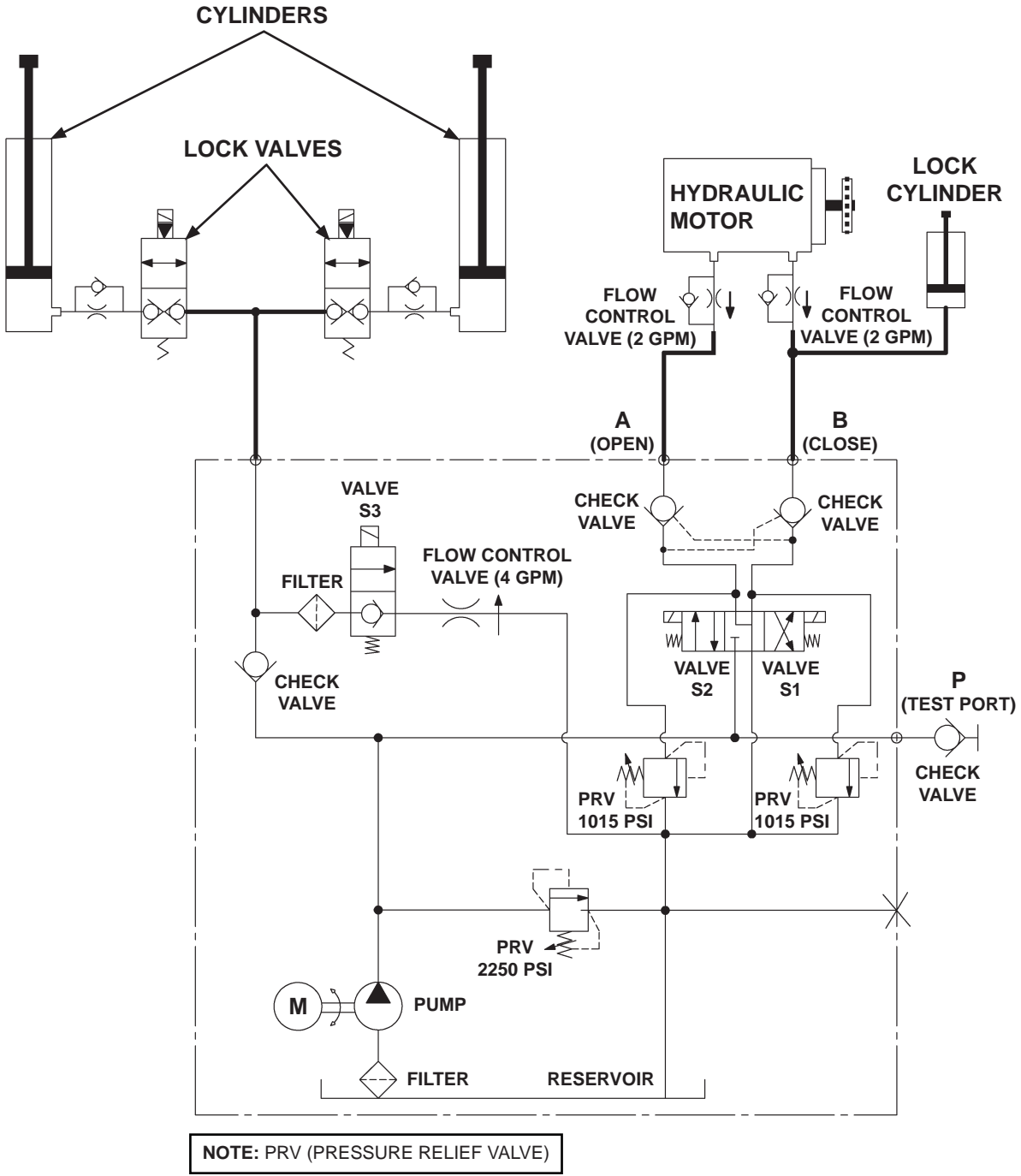


FIG. 40-1

SYSTEM DIAGRAMS - Continued

ELECTRICAL SCHEMATIC (SMART STOW)

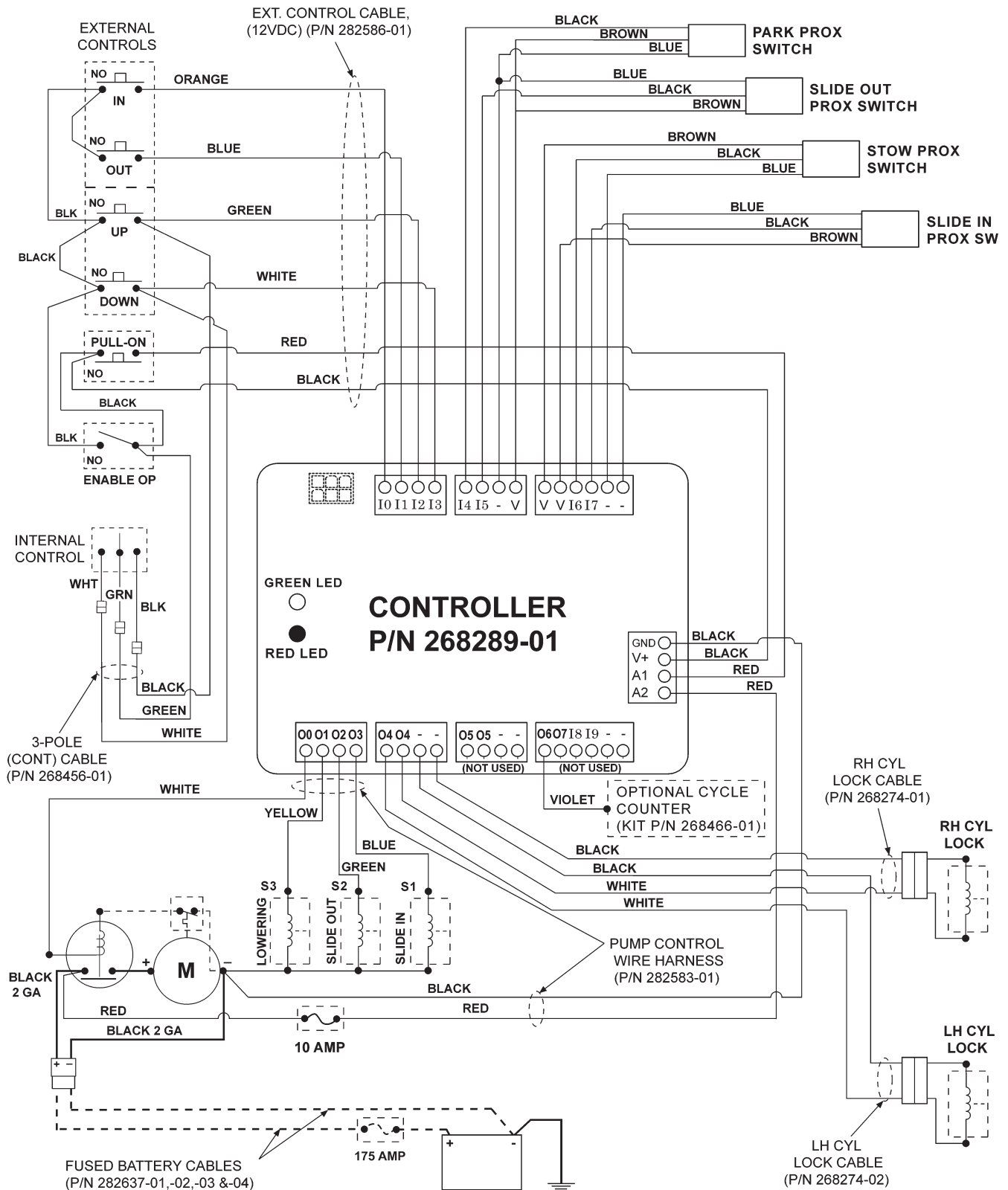


FIG. 41-1

SYSTEM DIAGRAMS - Continued

ELECTRICAL SCHEMATIC (WITHOUT CONTROLLER)

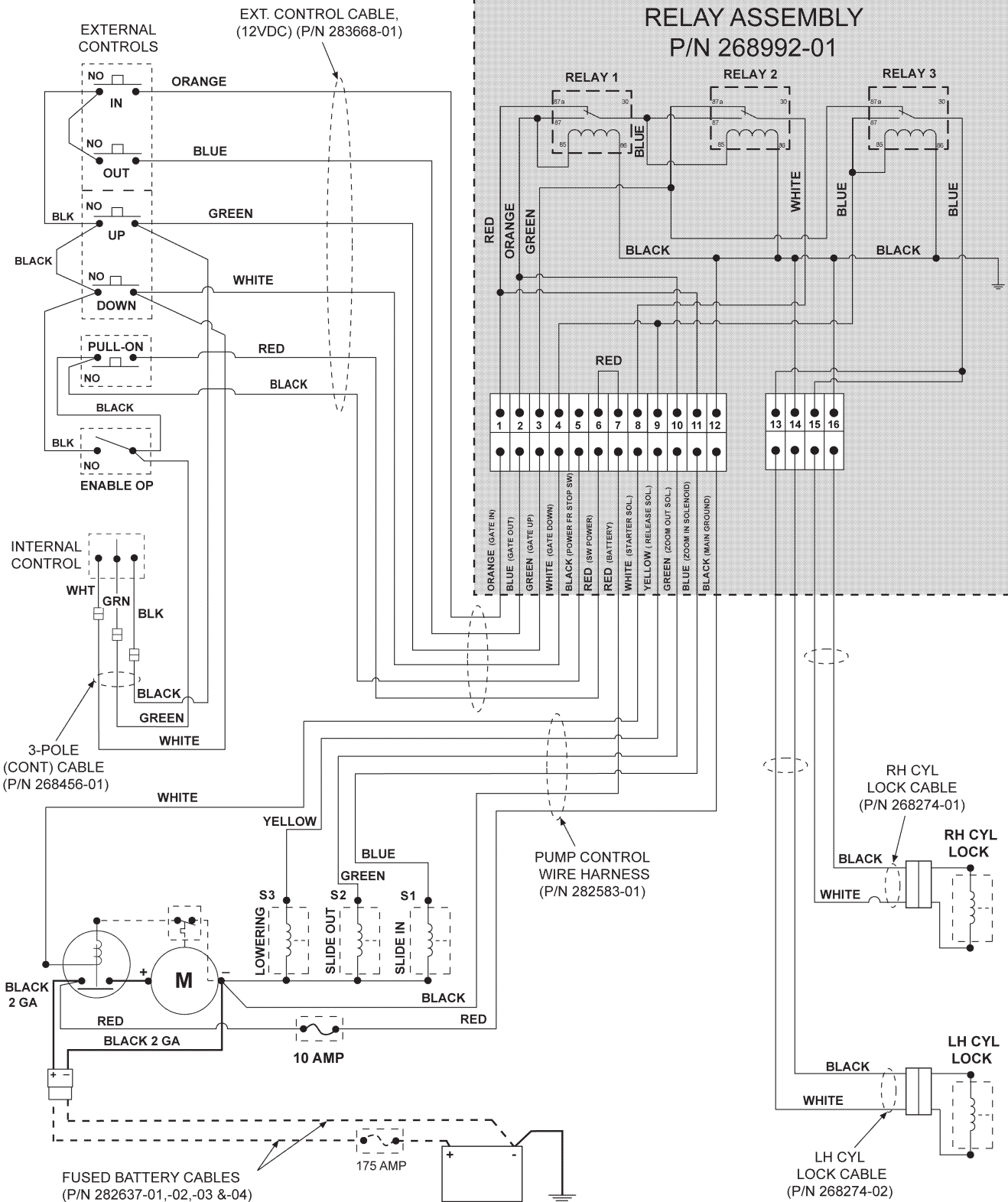


FIG. 42-1

