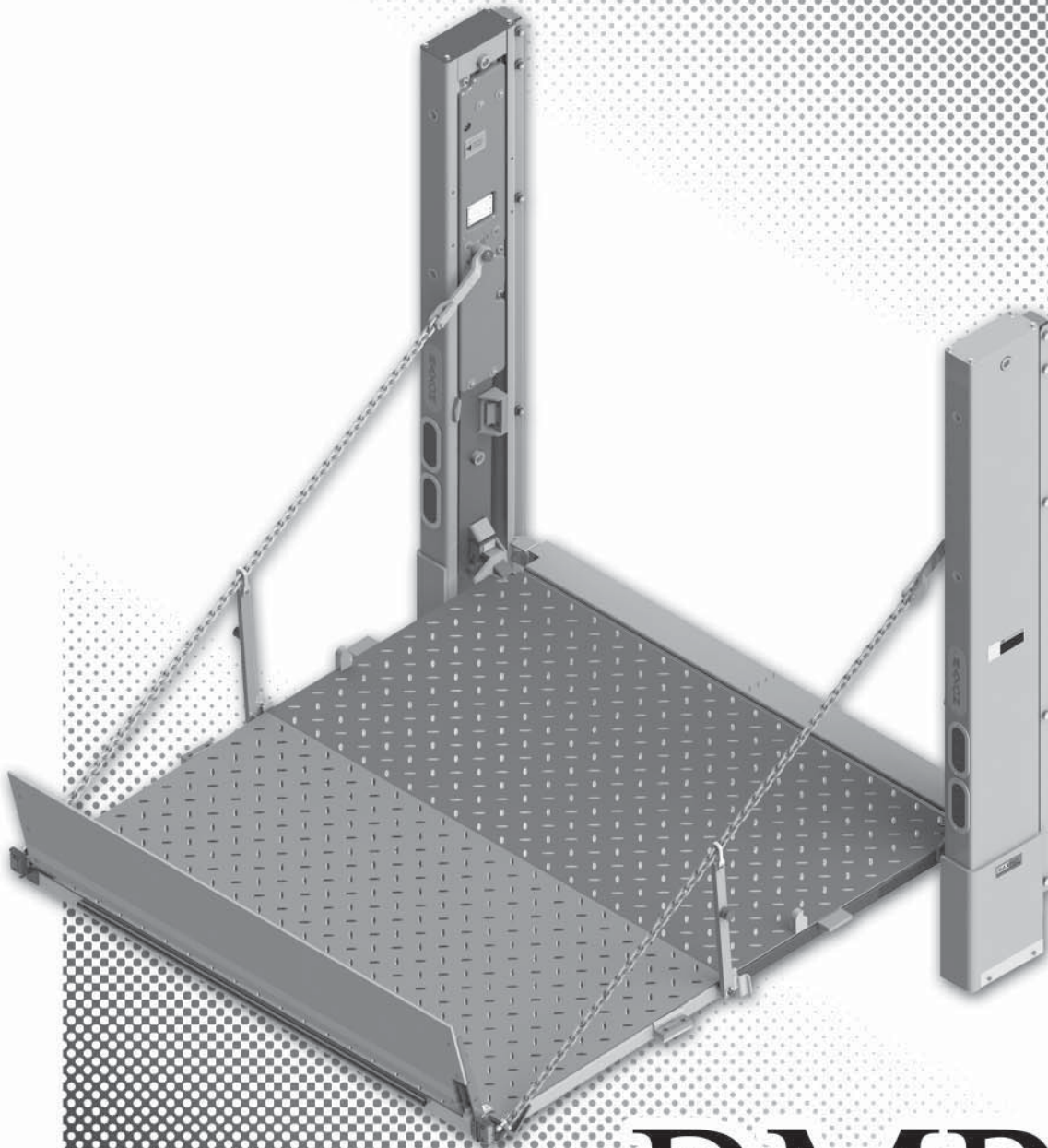


M-07-16
REV. K
SEPTEMBER 2013

Parts Manual Contains:

- Warranty Information
- Warnings
- Parts Ordering Information
- Exploded View Parts Breakdowns



MAXON[®]
LIFT CORP.

BMRSD

PARTS MANUAL

MAXON[®]

LIFT CORP.

11921 Slauson Ave.
Santa Fe Springs, CA. 90670

CUSTOMER SERVICE:

TELEPHONE (562) 464-0099 TOLL FREE (800) 227-4116

FAX: (888) 771-7713

NOTE: For latest version of all Manuals (and replacements), download the Manuals from Maxon's website at www.maxonlift.com.

WARRANTY/ RMA POLICY & PROCEDURE

LIFTGATE WARRANTY

Type of Warranty: Full Parts and Labor

Term of Warranty: Standard Liftgates - 2 years from ship date or 6,000 cycles
Premium Liftgates - 2 years from ship date or 10,000 cycles

This warranty shall not apply unless the product is installed, operated and maintained in accordance with MAXON Lift's specifications as set forth in MAXON Lift's Installation, Operation and Maintenance manuals. This warranty does not cover normal wear, maintenance or adjustments, damage or malfunction caused by improper handling, installation, abuse, misuse, negligence, or carelessness of operation. In addition, this warranty does not cover equipment that has had unauthorized modifications or alterations made to the product.

MAXON agrees to replace any components which are found to be defective during the first 2 years of service, and will reimburse for labor based on MAXON's Liftgate Warranty Flat Rate Schedule. (Copy of the Flat Rate is available at www.maxonlift.com.)

All warranty repairs must be performed by an authorized MAXON warranty facility. For any repairs that may exceed \$500, including parts and labor, MAXON's Technical Service Department must be notified and an "Authorization Number" obtained.

All claims for warranty must be received within 30 Days of the repair date, and include the following information:

1. Liftgate Model Number and Serial Number
2. The End User must be referenced on the claim
3. Detailed Description of Problem
4. Corrective Action Taken, and Date of Repair
5. Parts used for Repair, Including MAXON Part Number(s)
6. MAXON R.M.A. # and/or Authorization # if applicable (see below)
7. Person contacted at MAXON if applicable
8. Claim must show detailed information i.e. Labor rate and hours of work performed

Warranty claims can also be placed online at www.maxonlift.com. Online claims will be given priority processing.

All claims for warranty will be denied if paperwork has not been received or claim submitted via Maxon website for processing by MAXON's Warranty Department within 30 days of repair date.

All components may be subject to return for inspection, prior to the claim being processed. MAXON products may not be returned without prior written approval from MAXON's Technical Service Department. Returns must be accompanied by a copy of the original invoice or reference with original invoice number and are subject to a credit deduction to cover handling charges and any necessary reconditioning costs. **Unauthorized returns will be refused and will become the responsibility of the returnee.**

Any goods being returned to MAXON Lift must be pre-approved for return, and have the R.M.A. number written on the outside of the package in plain view, and returned freight prepaid. All returns are subject to a 15% handling charge if not accompanied by a detailed packing list. Returned parts are subject to no credit and returned back to the customer. Defective parts requested for return must be returned within 30 days of the claim date for consideration to:

MAXON Lift Corp.
10321 Greenleaf Ave., Santa Fe Springs, CA 90670
Attn: RMA# _____

MAXON's warranty policy does not include the reimbursement for travel time, towing, vehicle rental, service calls, oil, batteries or loss of income due to downtime. Fabrication or use of non Maxon parts, which are available from MAXON, are also not covered.

MAXON's Flat Rate Labor Schedule takes into consideration the time required for diagnosis of a problem.

All Liftgates returned are subject to inspection and a 15% restocking fee. Any returned Liftgates or components that have been installed or not returned in new condition will be subject to an additional reworking charge, which will be based upon the labor and material cost required to return the Liftgate or component to new condition.

PURCHASE PART WARRANTY

Term of Warranty: 1 Year from Date of Purchase.

Type of Warranty: Part replacement only. MAXON will guarantee all returned genuine MAXON replacement parts upon receipt and inspection of parts and original invoice.

All warranty replacements parts will be sent out via ground freight. If a rush shipment is requested, all freight charges will be billed to the requesting party.

TABLE OF CONTENTS

WARNINGS	6
ORDERING PARTS	6
BMRSD LIFTGATE.....	7
MAIN FRAME & ATTACHING HARDWARE - STEEL PLATFORM.....	8
MAIN FRAME & ATTACHING HARDWARE - ALUMINUM PLATFORM	10
RH COLUMN ASSEMBLY	12
RH RUNNER ASSEMBLY	16
CARRIER GUARD MOUNTING.....	18
UPPER TANDEM ASSEMBLY, RH RUNNER	19
TANDEM ASSEMBLY (LOWER - RH & LH RUNNERS).....	20
LH COLUMN ASSEMBLY	22
LH RUNNER ASSEMBLY.....	24
UPPER TANDEM ASSEMBLY, LH RUNNER.....	26
PLATFORM, FLIPOVER, AND CHAIN ASSEMBLY - 1 (STEEL).....	28
PLATFORM, FLIPOVER, AND CHAIN ASSEMBLY - 2 (STEEL).....	30
PLATFORM ASSEMBLY (STEEL).....	32
FLIPOVER WITH RETENTION RAMP (STEEL).....	34
FLIPOVER WITH FIX RAMP (STEEL).....	35
ALUMINUM RETENTION RAMP ASSEMBLY (FOR STEEL PLATFORM).....	36
LH CHAIN ASSEMBLY (FOR STEEL PLATFORM)	38
RH CHAIN ASSEMBLY (FOR STEEL PLATFORM).....	39
PLATFORM, FLIPOVER, AND CHAIN ASSEMBLY - 1 (ALUMINUM)	40
PLATFORM, FLIPOVER, AND CHAIN ASSEMBLY - 2 (ALUMINUM)	44
PLATFORM ASSEMBLY (ALUMINUM).....	48
FLIPOVER ASSEMBLY (ALUMINUM)	50

TABLE OF CONTENTS - Continued

FLIPOVER ASSEMBLY W/FIXED RAMP (ALUMINUM)	52
ALUMINUM RETENTION RAMP ASSEMBLY (FOR ALUMINUM PLATFORM)	54
LH CHAIN ASSEMBLY (FOR ALUMINUM PLATFORM).....	56
RH CHAIN ASSEMBLY (FOR ALUMINUM PLATFORM).....	57
HYDRAULIC COMPONENTS SECTION.....	58
DUAL PUMP ASSEMBLY	58
SINGLE PUMP ASSEMBLY	62
12 VDC POWER UNIT	66
12VDC POWER UNIT (PUMP 2, NO MANIFOLD)	68
BOX ASSEMBLY FOR DUAL PUMPS	70
BOX ASSEMBLY FOR SINGLE PUMP	72
HYDRAULIC COMPONENTS	74
ELECTRICAL COMPONENTS SECTION	78
ELECTRICAL COMPONENTS.....	78
ELECTRICAL COMPONENTS - DUAL PUMP BOX	80
ELECTRICAL COMPONENTS - SINGLE PUMP BOX	82
ELECTRICAL COMPONENTS - BATTERY BOX.....	84
BATTERY BOX ASSEMBLY.....	86
BATTERY BOX.....	88

Comply with the following **WARNINGS** while maintaining Liftgates.

WARNING

- Read and understand the instructions in **Maintenance Manual** before performing maintenance on the Liftgate.
- **Disconnect Liftgate power cable from battery** before repairing or servicing Liftgate.
- **Remove all rings, watches and jewelry before doing any electrical work.**
- Wear appropriate safety equipment such as protective eyeglasses, faceshield and clothing while performing maintenance on the Liftgate and handling the battery. Debris from drilling and contact with battery acid may injure unprotected eyes and skin.
- Be careful working by an automotive type battery. Make sure the work area is well ventilated and there are no flames or sparks near the battery. Never lay objects on the battery that can short the terminals together. If battery acid gets in your eyes, immediately seek first aid. If acid gets on your skin, immediately wash it off with soap and water.
- Never perform unauthorized modifications on the Liftgate. Modifications may result in early failure of the Liftgate and may create hazards for Liftgate operators and maintainers.
- Recommended practices for welding on steel parts are contained in the current **AWS (American Welding Society) D1.1 Structural Welding Code - Steel**. Damage to Liftgate and/or vehicle, and personal injury can result from welds that are done incorrectly.
- Recommended practices for welding on aluminum parts are contained in the current **AWS (American Welding Society) D1.2 Structural Welding Code - Aluminum**. Damage to Liftgate and/or vehicle, and personal injury can result from welds that are done incorrectly.

ORDERING PARTS

- Use only **Maxon Authorized Parts** for replacement parts. Order replacement parts from:

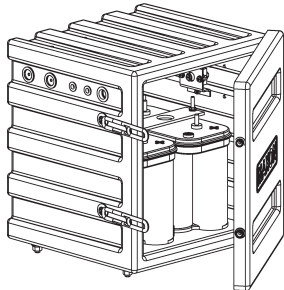
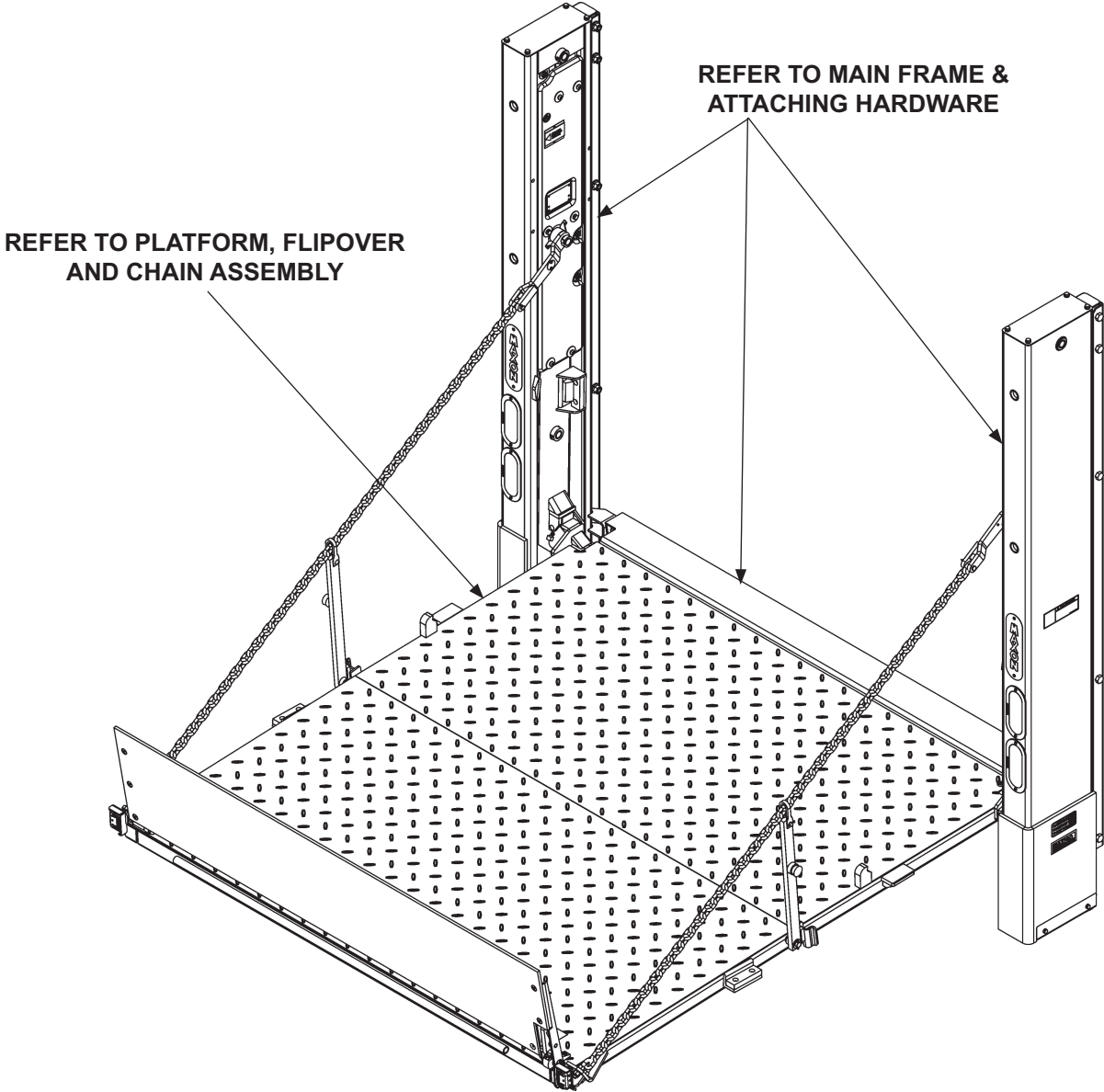
MAXON LIFT CORP. Customer Service
11921 Slauson Ave., Santa Fe Springs, CA 90670
Phone: (800) 227-4116

- To order parts by e-mail, submit orders to **cservice@maxonlift.com**.
- Provide Liftgate model and serial number information with your parts order.
- Need Technical Support? Send requests by e-mail to **technicalsupport@maxonlift.com**.
- For latest version Manuals (and replacements), download Manuals from Maxon's website at **www.maxonlift.com**.

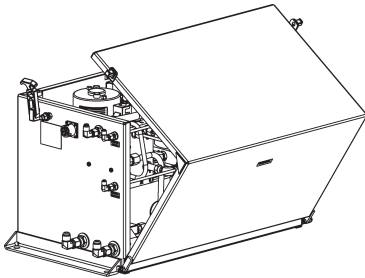
MAXON[®]

11921 Slauson Ave. Santa Fe Springs, CA. 90670 (800) 227-4116 FAX (888) 771-7713

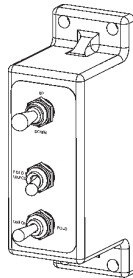
BMRSD LIFTGATE



BATTERY BOX
(REFER TO ELECTRICAL COMPONENTS)



PUMP BOX
(REFER TO HYDRAULIC COMPONENTS)

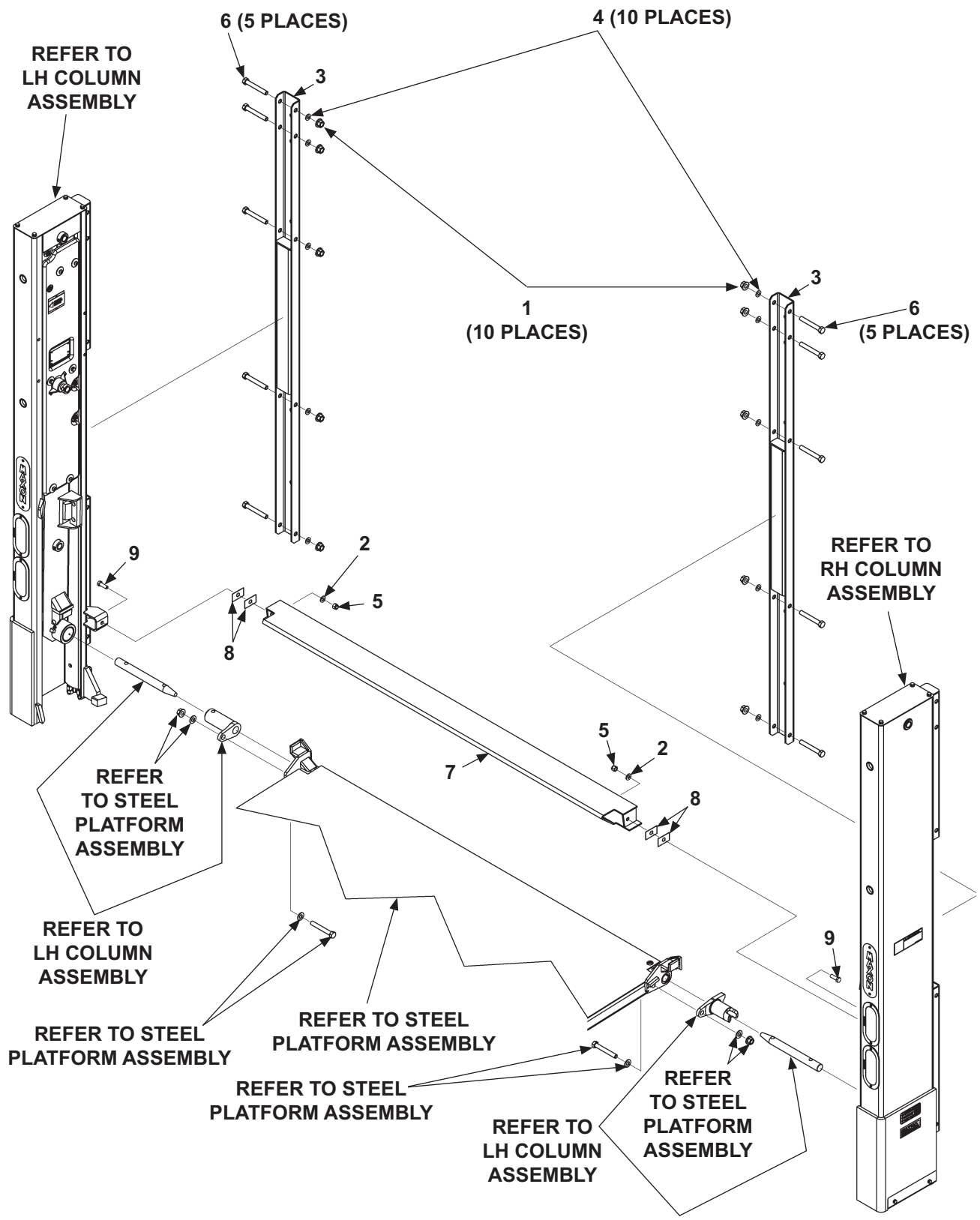


CONTROL SWITCH
(REFER TO ELECTRICAL COMPONENTS)

MAXON 11921 Slauson Ave. Santa Fe Springs, CA. 90670 (800) 227-4116 FAX (888) 771-7713

MAIN FRAME & ATTACHING HARDWARE - STEEL PLATFORM

MAXON® 11921 Slauson Ave. Santa Fe Springs, CA. 90670 (800) 227-4116 FAX (888) 771-7713

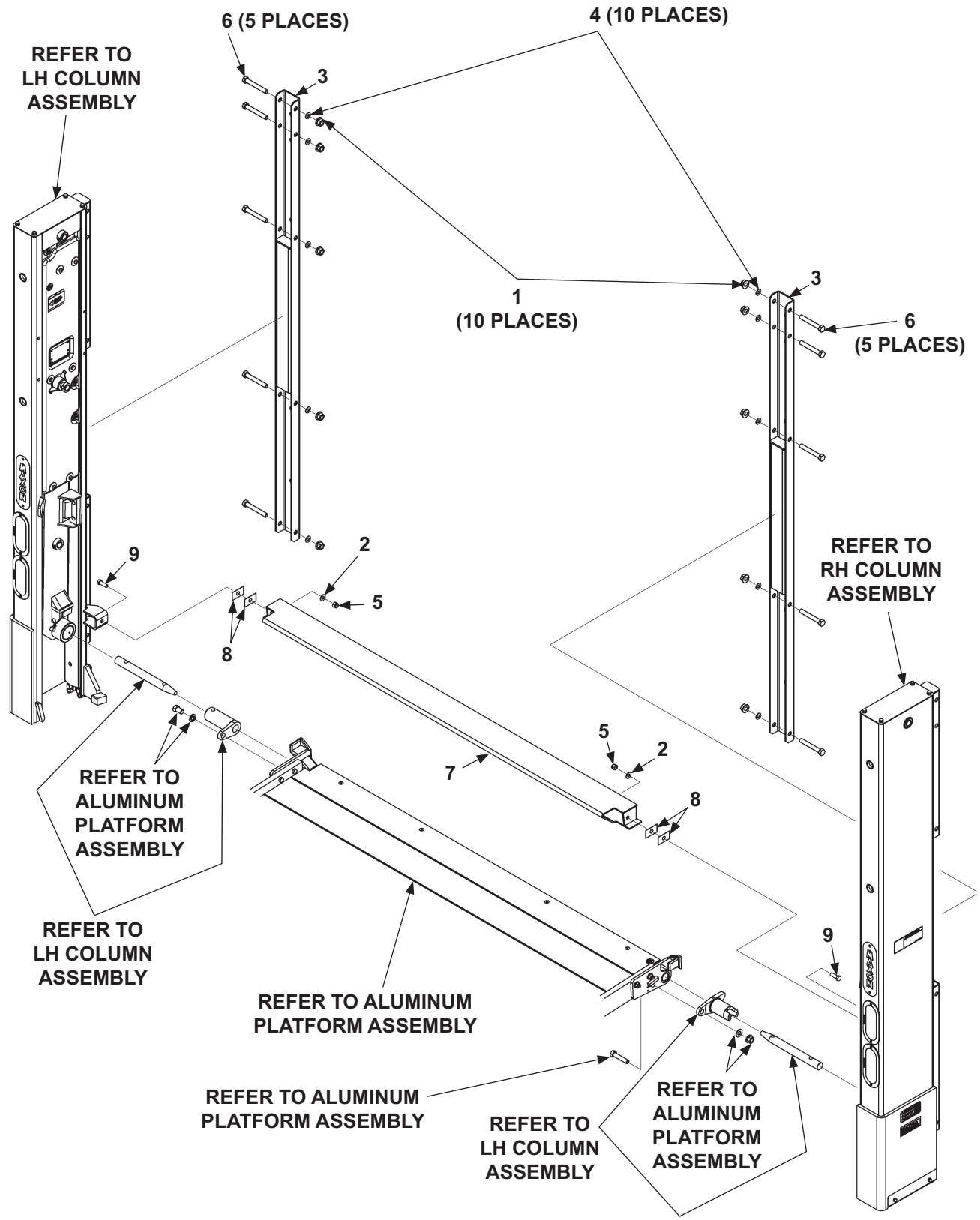


ITEM	QTY.	PART NO.	DESCRIPTION
1	10	901023-04	FLANGE LOCK NUT, 5/8"-11
2	2	902013-13	FLAT WASHER, 1/2"
3	2	268055-01	CHANNEL (STAINLESS STEEL BRACKET)
		268055-02	CHANNEL (MILD STEEL BRACKET)
4	10	902013-15	FLAT WASHER, 5/8"
5	2	901010	NYLON LOCK NUT, 1/2"-13
6	10	900055-14	HEX HEAD SCREW, 5/8"-11 X 4-1/2" LG, GRADE 8
7	1	268061-01	EXTENSION PLATE, 96" UNIT (STAINLESS STEEL)
		268061-02	EXTENSION PLATE, 102" UNIT (STAINLESS STEEL)
		268061-11	EXTENSION PLATE, 96" UNIT (MILD STEEL)
		268061-12	EXTENSION PLATE, 102" UNIT (MILD STEEL)
8	4	268129-01	SPACER, STAINLESS STEEL, 1/32" THICK
9	2	900035-3	HEX HEAD CAP SCREW, 1/2"-13 X 1-1/2" LG, GRADE 8

MAXON[®] 11921 Slauson Ave. Santa Fe Springs, CA. 90670 (800) 227-4116 FAX (888) 771-7713

MAIN FRAME & ATTACHING HARDWARE - ALUMINUM PLATFORM

MAXON® 11921 Slauson Ave. Santa Fe Springs, CA. 90670 (800) 227-4116 FAX (888) 771-7713

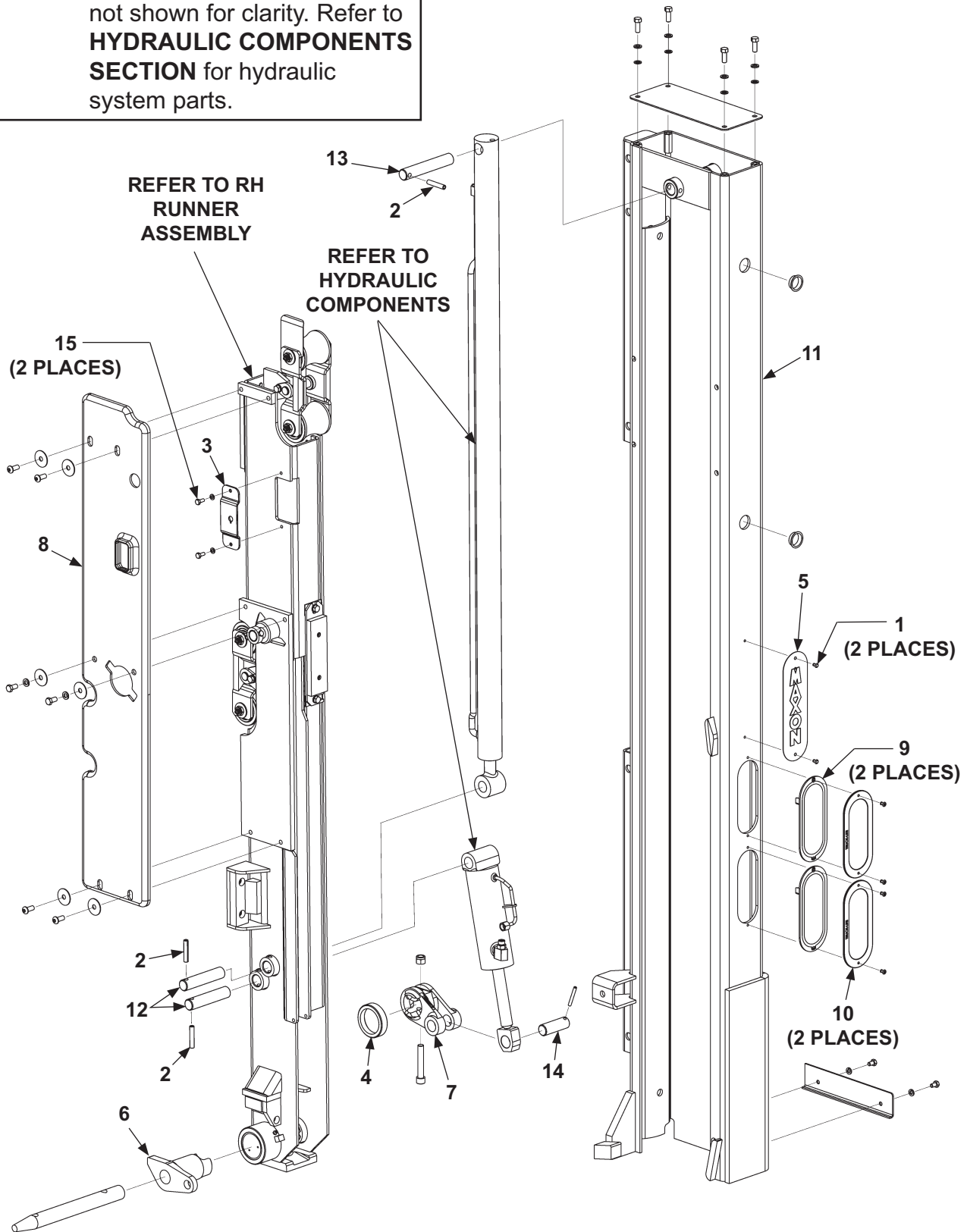


ITEM	QTY.	PART NO.	DESCRIPTION
1	10	901023-04	FLANGE LOCK NUT, 5/8"-11
2	2	902013-13	FLAT WASHER, 1/2"
3	2	268055-01	CHANNEL (STAINLESS STEEL BRACKET)
		268055-02	CHANNEL (MILD STEEL BRACKET)
4	10	902013-15	FLAT WASHER, 5/8"
5	2	901010	NYLON LOCK NUT, 1/2"-13
6	10	900055-14	HEX HEAD SCREW, 5/8"-11 X 4-1/2" LG, GRADE 8
7	1	268061-01	EXTENSION PLATE, 96" UNIT (STAINLESS STEEL)
		268061-02	EXTENSION PLATE, 102" UNIT (STAINLESS STEEL)
		268061-11	EXTENSION PLATE, 96" UNIT (MILD STEEL)
		268061-12	EXTENSION PLATE, 102" UNIT (MILD STEEL)
8	4	268129-01	SPACER, STAINLESS STEEL, 1/32" THICK
9	2	900035-3	HEX HEAD CAP SCREW, 1/2"-13 X 1-1/2" LG, GRADE 8

MAXON[®] 11921 Slauson Ave. Santa Fe Springs, CA. 90670 (800) 227-4116 FAX (888) 771-7713

RH COLUMN ASSEMBLY

NOTE: Most hydraulic components not shown for clarity. Refer to **HYDRAULIC COMPONENTS SECTION** for hydraulic system parts.



MAXON

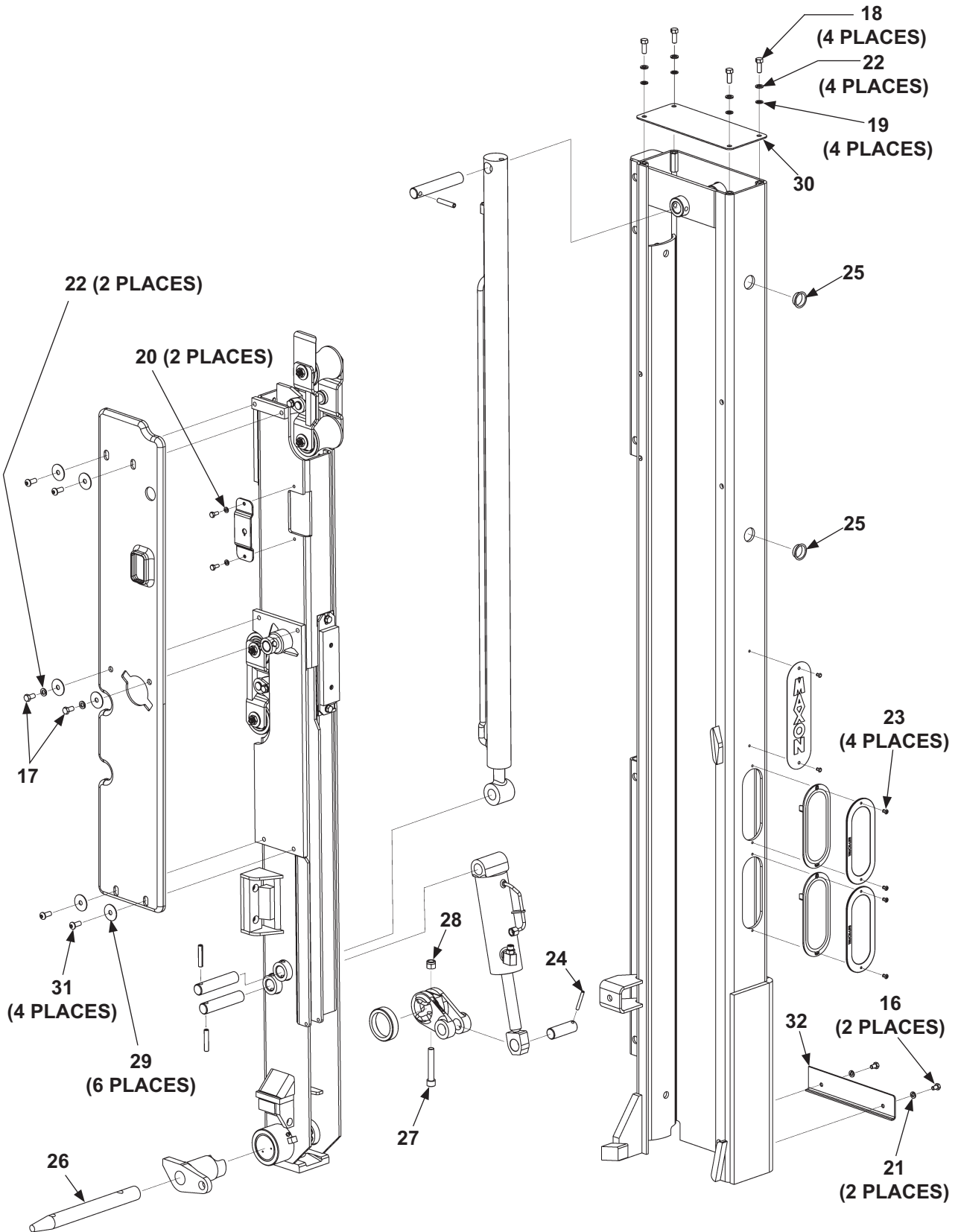
11921 Slauson Ave. Santa Fe Springs, CA. 90670 (800) 227-4116 FAX (888) 771-7713

ITEM	QTY.	PART NO.	DESCRIPTION
REF	1	284890-01	COLUMN ASSEMBLY, RH, 35/44
		284890-01G	COLUMN ASSEMBLY, RH, 35/44 (GALVANIZED)
		284890-02	COLUMN ASSEMBLY, RH, 55/66
		284890-02G	COLUMN ASSEMBLY, RH, 55/66 (GALVANIZED)
1	2	207644	POP RIVET, 3/16" X 7/16" LG.
2	3	904717-06	ROLL PIN, 3/8" X 2" LG.
3	1	253694	SWITCH PLATE
4	1	253695	BUSHING
5	1	260478	MAXON VERTICAL PLATE, 3" X 10-1/8" LG.
6	1	285133-02	COUPLING OUTSIDE
7	1	260517	COUPLING INSIDE, CASTING
8	1	284604-01	COLUMN COVER, RH
9	2	285135-01	LED LIGHT, OVAL, RED
10	2	285135-02	STAINLESS STEEL FLANGE
11	1	284892-01	COLUMN WELDMENT, RH
		284892-01G	COLUMN WELDMENT, RH (GALVANIZED)
12	2	268068-01	PIN, STAINLESS STEEL, 1" O.D. X 4-3/4" LG.
13	1	268068-02	PIN, STAINLESS STEEL, 1" O.D. X 5-7/8" LG.
14	1	268068-04	PIN, STAINLESS STEEL, 1" O.D. X 2-15/16" LG.
15	2	900000-1	BOLT, HEX, 1/4"-20 X 5/8" LG, GRADE 8

MAXON[®] 11921 Slauson Ave. Santa Fe Springs, CA. 90670 (800) 227-4116 FAX (888) 771-7713

RH COLUMN ASSEMBLY - Continued

MAXON[®] 11921 Slauson Ave. Santa Fe Springs, CA. 90670 (800) 227-4116 FAX (888) 771-7713

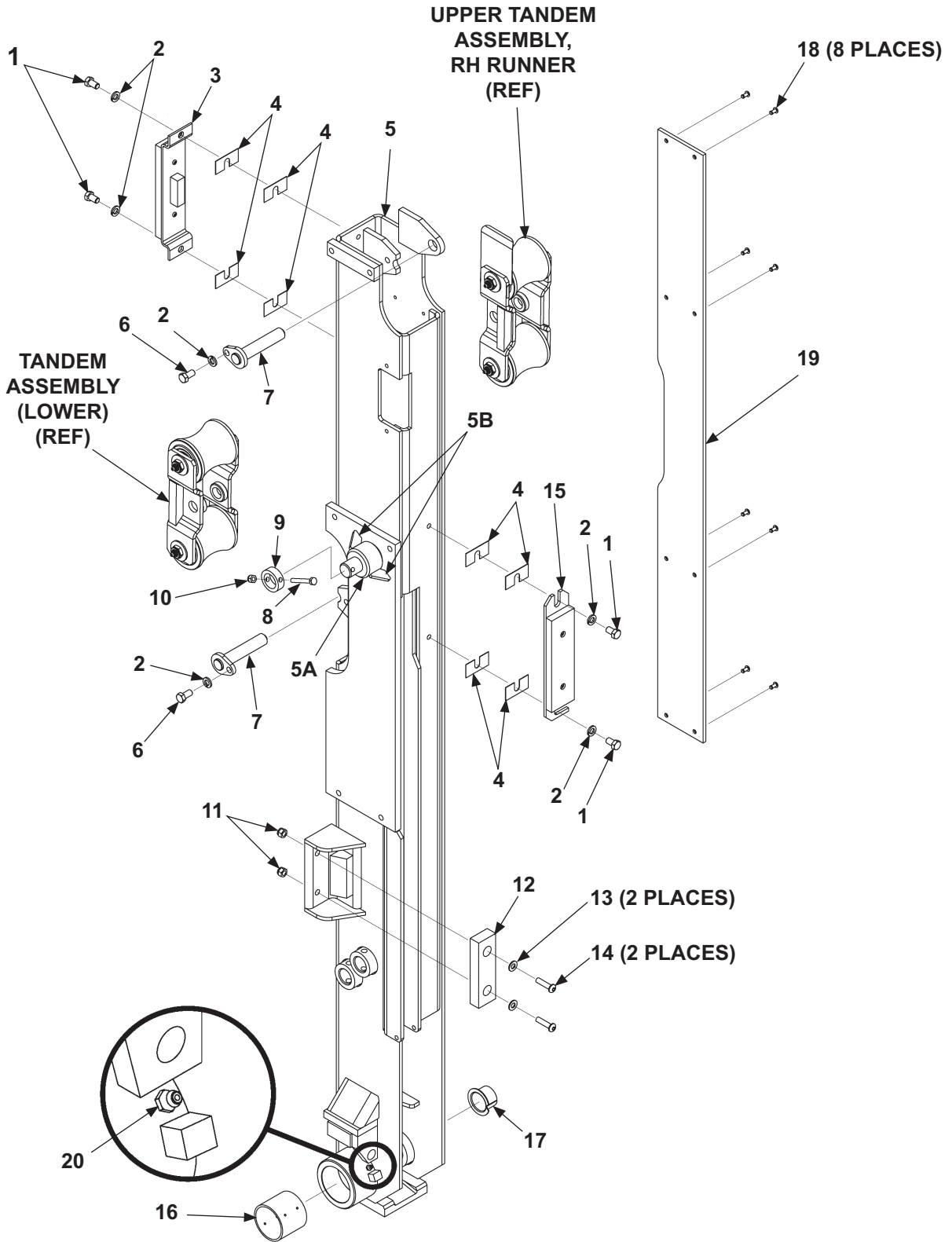


ITEM	QTY.	PART NO.	DESCRIPTION
16	2	900009-4	CAP SCREW, 5/16"-18 X 1/2" LG, GRADE 8
17	2	900014-3	CAP SCREW, HEX, 3/8"-16 X 3/4" LG, GRADE 8
18	4	900014-4	CAP SCREW, HEX, 3/8"-16 X 1" LG, GRADE 8
19	4	902000-10	FLAT WASHER, 3/8"
20	2	902011-2	LOCK WASHER, 1/4"
21	2	902011-3	LOCK WASHER, 5/16", GRADE 8
22	6	902011-4	LOCK WASHER, 3/8"
23	4	904005-2	POP RIVET, 3/16" X 9/16" LG.
24	1	905033-5	ROLL PIN, 1/4" X 2" LG.
25	2	260403	PLUG
26	1	280103	PIN, STAINLESS STEEL, 1-1/4" O.D. X 13" LG.
27	1	900037-11	SOCKET HEAD CAP SCREW, 1/2"-20 X 3" LG, GRADE 8
28	1	901008	NYLON LOCK NUT, 1/2"-20
29	6	902008	FENDER WASHER, 13/32"
30	1	263114	COLUMN COVER
		281761-01	COLUMN COVER (ZINC PLATED)
31	4	900064-04	BUTTON SOCKET CAP SCREW, 3/8"-16 X 7/8" LG.
32	1	268009-02	COVER

MAXON[®] 11921 Slauson Ave. Santa Fe Springs, CA. 90670 (800) 227-4116 FAX (888) 771-7713

RH RUNNER ASSEMBLY

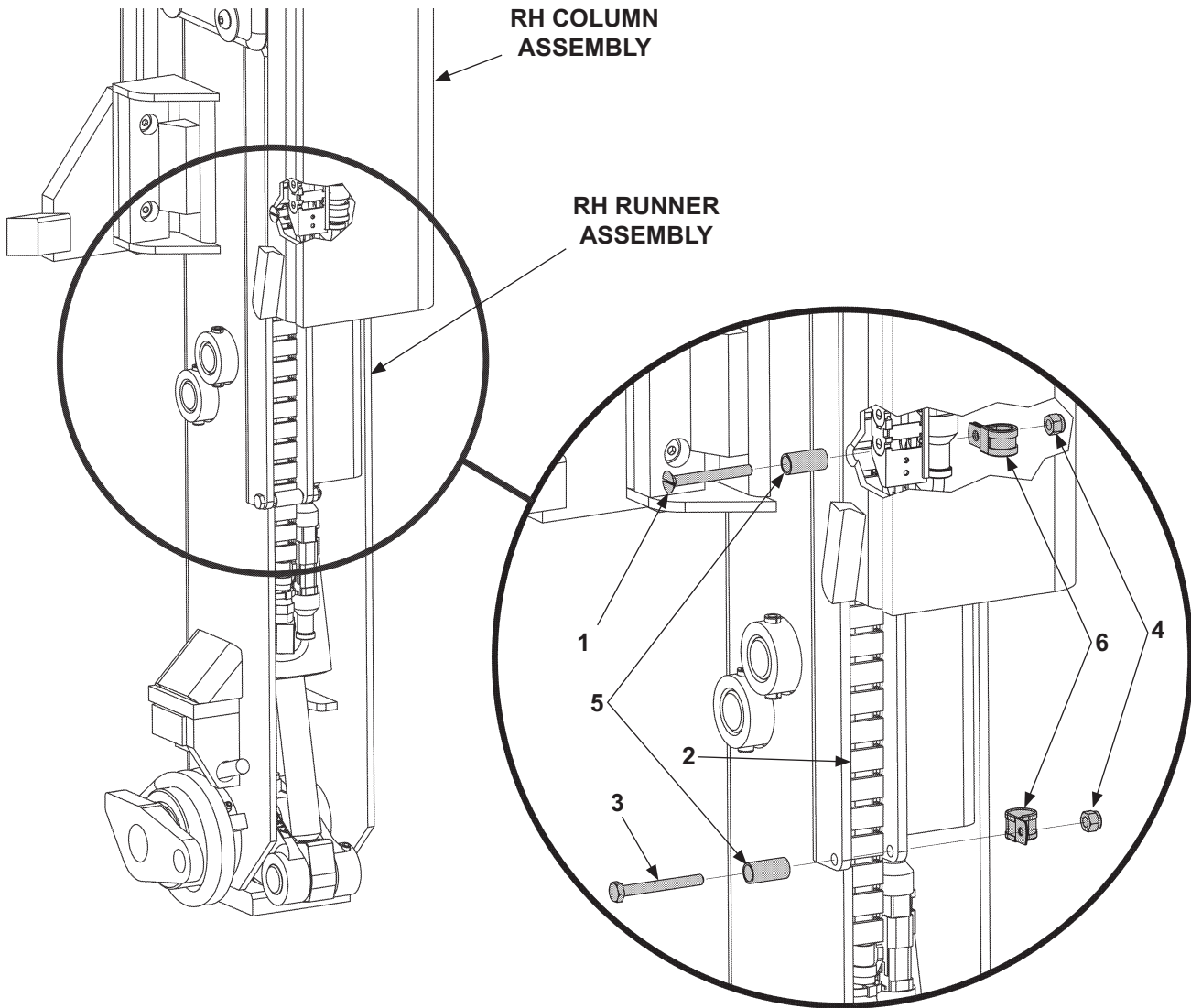
MAXON[®] 11921 Slauson Ave. Santa Fe Springs, CA. 90670 (800) 227-4116 FAX (888) 771-7713



ITEM	QTY.	PART NO.	DESCRIPTION
REF	1	280706-01	RH RUNNER ASSEMBLY
		280706-03	RH RUNNER ASSEMBLY (GALVANIZED)
1	4	900014-12	HEX HEAD CAP SCREW, 3/8"-16 X 5/8" LG, GRADE 8
2	6	902011-4	LOCK WASHER, 3/8"
3	1	263221	UPPER PAD SUPPORT ASSEMBLY
4	A/R	263030	SPACER
5	1	280704-01	RH RUNNER
		280704-03	RH RUNNER (GALVANIZED)
5A	1	253614	CHAIN BRACKET WELDMENT
5B	2	253645	GUSSET, CHAIN BRACKET
6	2	900014-3	HEX HEAD CAP SCREW, 3/8" - 16 X 3/4" LG, GRADE 8
7	2	280067	ARM WELDMENT
8	1	900004-8	CAP SCREW, 1/4"-20 X 2" LG, GRADE 8
9	1	269227-01	PIN COLLAR
10	1	901000	NYLON LOCK NUT, 1/4"-20
11	2	901001	NYLON LOCK NUT, 5/16"-18
12	1	225278-02	RUBBER BUMPER
13	2	902013-10	FLAT WASHER, 5/16"
14	2	900001-4	BUTTON HEAD SCREW, 5/16"-18 X 1-1/4" LG.
15	1	263225	LOWER PAD SUPPORT ASSEMBLY
16	1	908011-01	BEARING, SELF LUBE, 2-1/2" DIA. X 2-1/8" LG.
17	1	253595	BEARING, SELF LUBE, 1-1/4" DIA. X 1" LG.
18	8	207644	POP RIVET, 3/16" X 7/16" LG.
19	1	253543	PAD
20	1	224342	GREASE FITTING, 1/4"

NOTE: A/R means As Required.

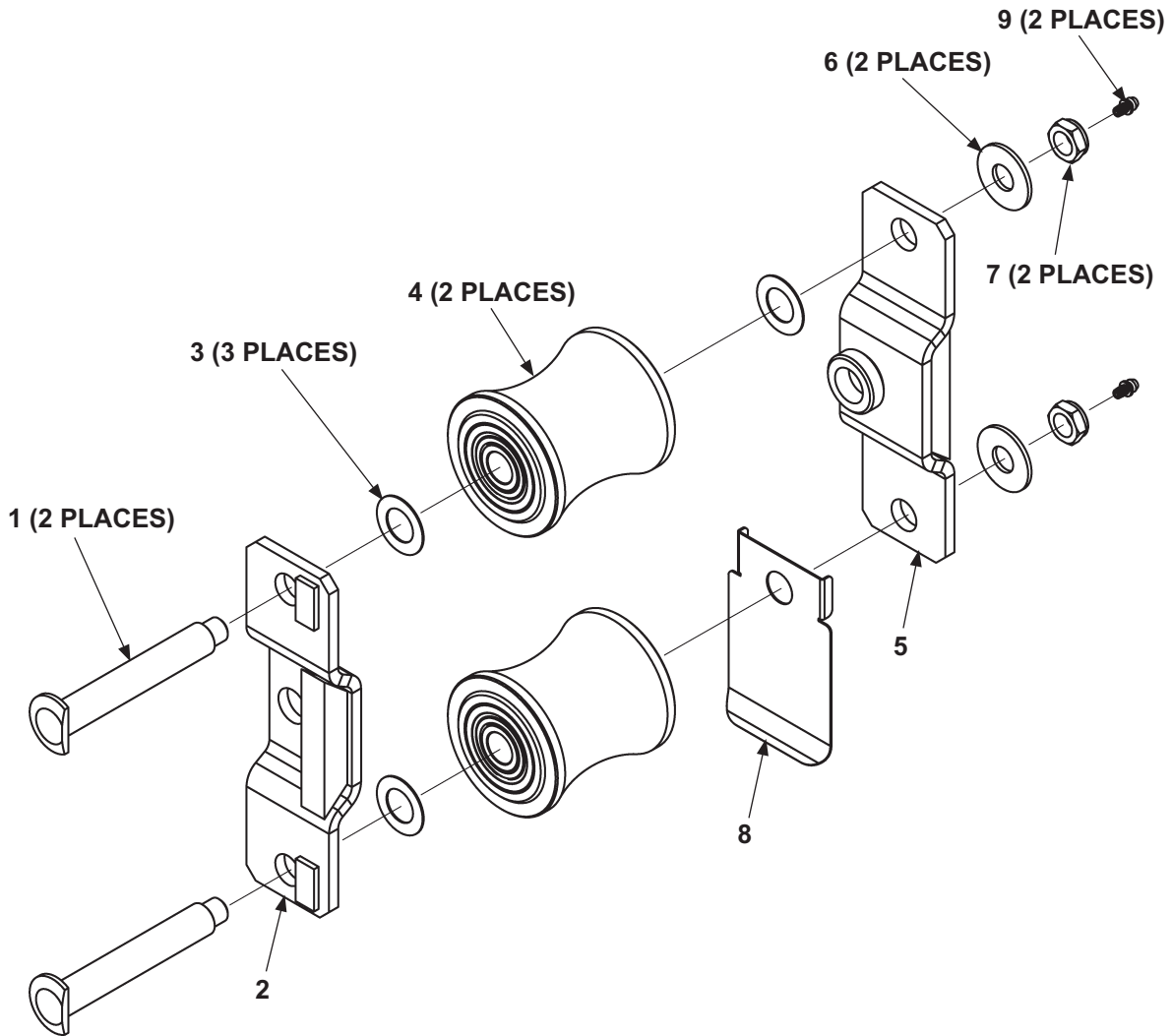
CARRIER GUARD MOUNTING



ITEM	QTY.	PART NO.	DESCRIPTION
1	1	260299	FLAT HEAD SCREW, 1/4"-20 X 2-1/2" LG.
2	1	905372-01	CABLE/HOSE CARRIER
3	1	900000-9	HEX HEAD BOLT, 1/4"-20 X 2-1/4" LG, GRADE 8
4	2	901000	NYLON LOCK NUT, 1/4"-20
5	2	253621	BUSHING, 1/2" DIA. X 15/16" LG.
6	2	214663	CLAMP, #8 RUBBER LOOM

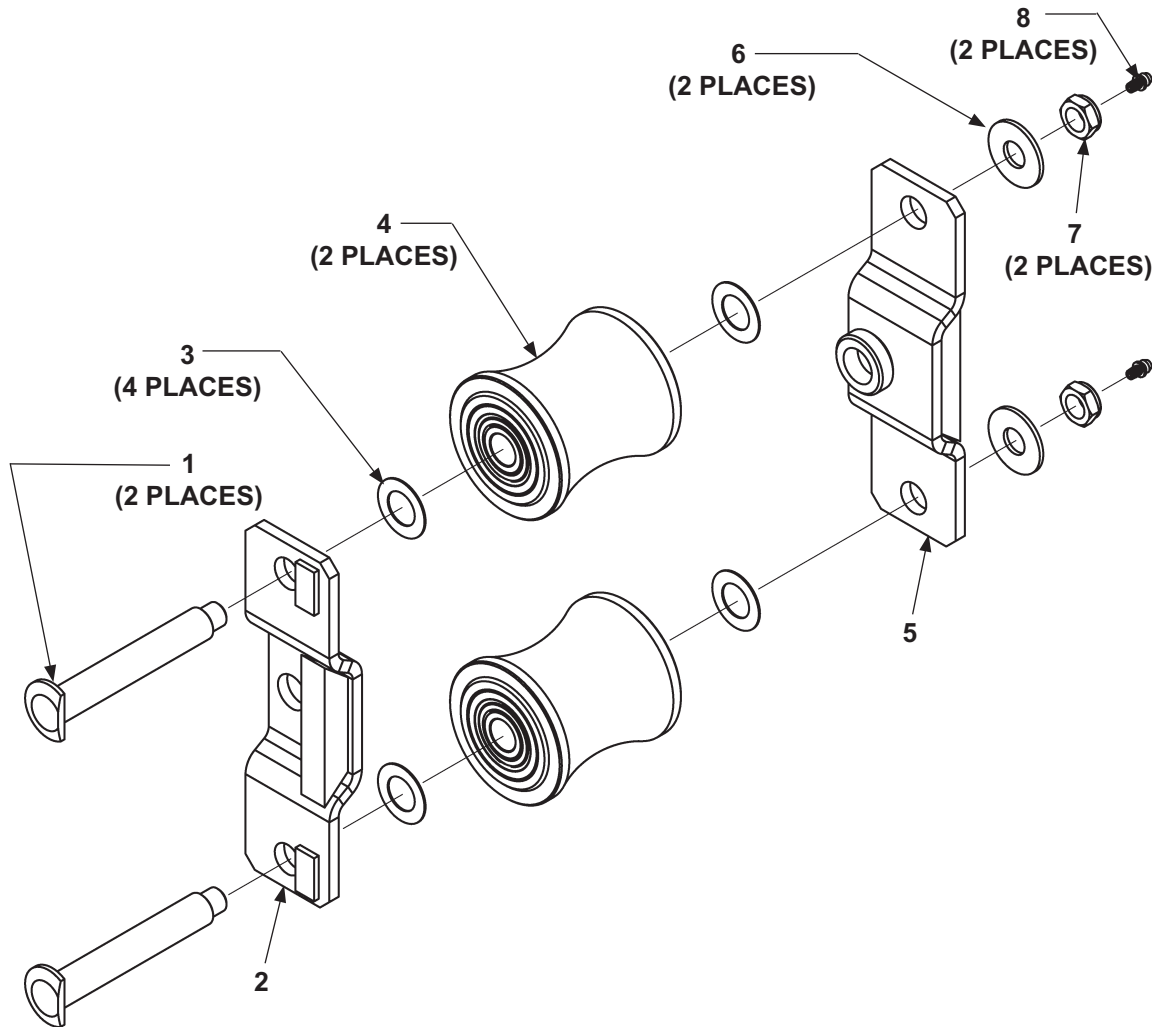
MAXON® 11921 Slauson Ave. Santa Fe Springs, CA. 90670 (800) 227-4116 FAX (888) 771-7713

UPPER TANDEM ASSEMBLY, RH RUNNER



ITEM	QTY.	PART NO.	DESCRIPTION
REF	1	268866-03	UPPER TANDEM ASSEMBLY, RH RUNNER
1	2	268898-01	ROLLER AXLE
2	1	280064	ROLLER BRACKET
3	3	261182	FLAT WASHER, .72" I.D. X 1-1/4" O.D. STAINLESS STEEL
4	2	268899-01	ROLLER
5	1	280063	ROLLER BRACKET
6	2	902014	FLAT WASHER, 5/8" I.D. X 1-3/8" O.D.
7	2	901016-1	LOCK NUT, THIN HEAD, 1/2"-20
8	1	280851-01	ROLLER COVER
9	2	268264-02	GREASE FITTING, DRIVE-IN, 3/16"

TANDEM ASSEMBLY (LOWER - RH & LH RUNNERS)



ITEM	QTY.	PART NO.	DESCRIPTION
REF	1	268866-01	TANDEM ASSEMBLY (LOWER)
1	2	268898-01	ROLLER AXLE
2	1	280064	ROLLER BRACKET
3	4	261182	FLAT WASHER, .72" I.D. X 1-1/4" O.D. STAINLESS STEEL
4	2	268899-01	ROLLER
5	1	280063	ROLLER BRACKET
6	2	902014	FLAT WASHER, 5/8" I.D. X 1-3/8" O.D.
7	2	901016-1	LOCK NUT, THIN HEAD, 1/2"-20
8	2	268264-02	GREASE FITTING, DRIVE-IN, 3/16"

MAXON®

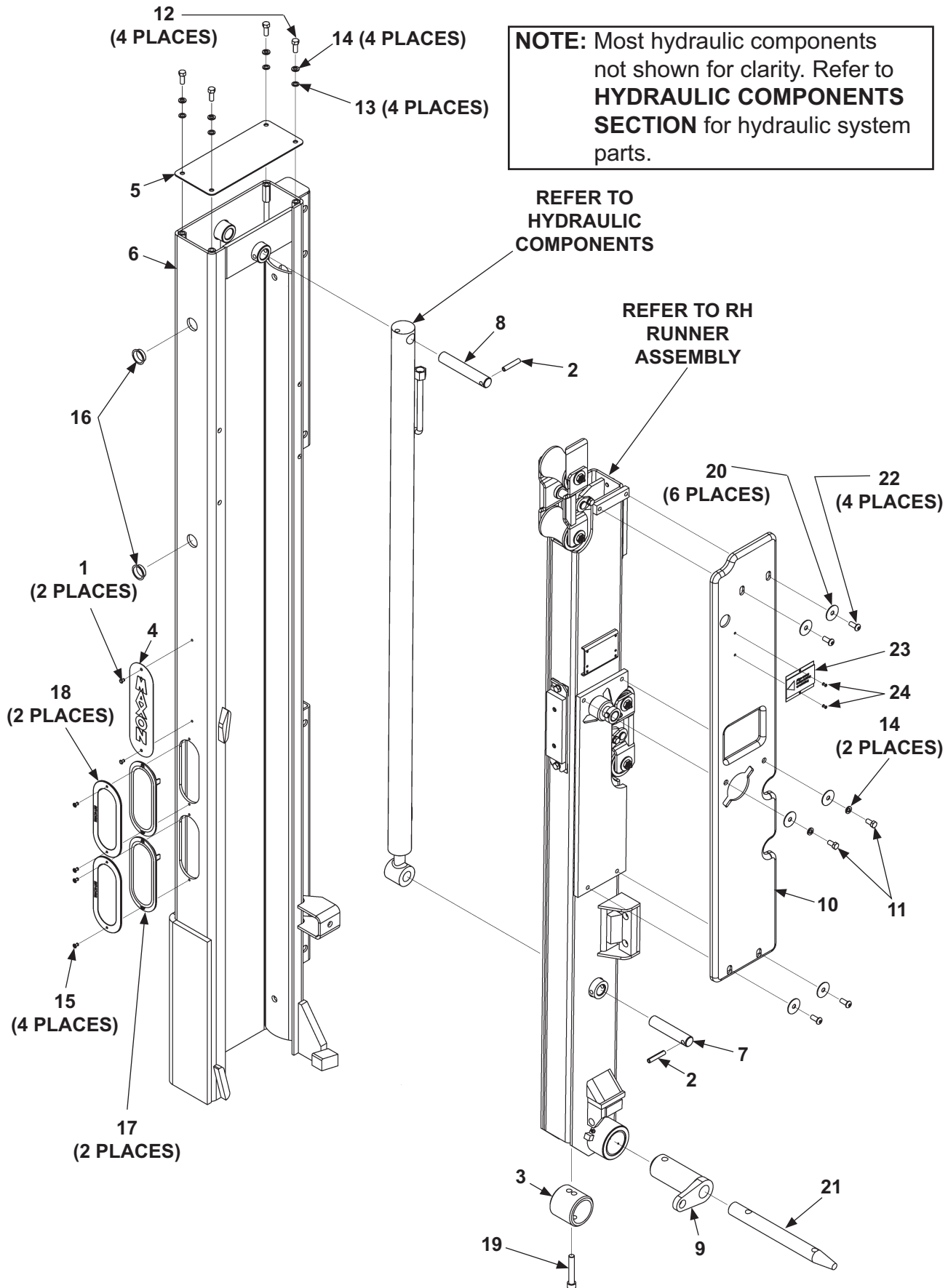
11921 Slauson Ave. Santa Fe Springs, CA. 90670 (800) 227-4116 FAX (888) 771-7713

THIS PAGE INTENTIONALLY LEFT BLANK

MAXON

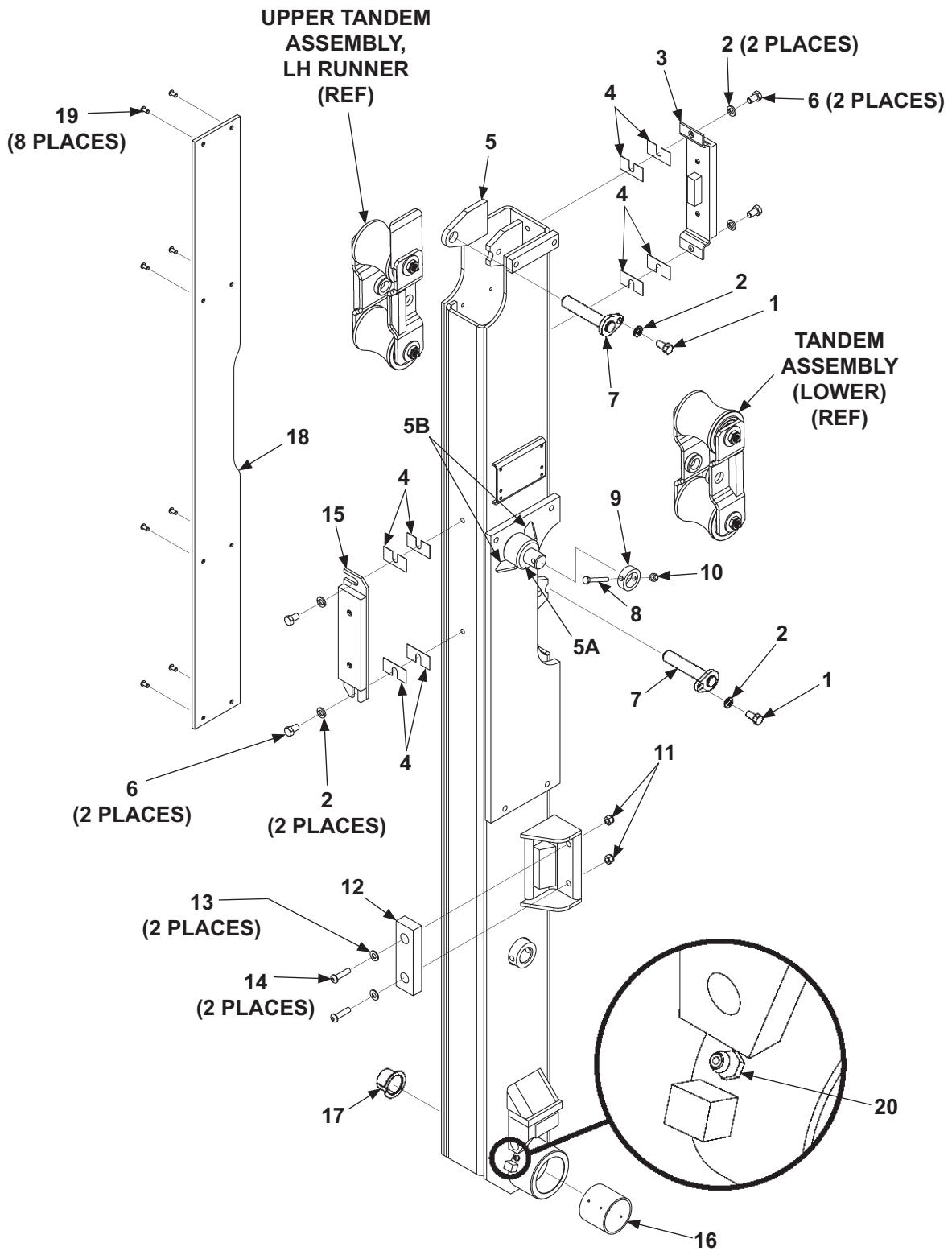
11921 Slauson Ave. Santa Fe Springs, CA. 90670 (800) 227-4116 FAX (888) 771-7713

LH COLUMN ASSEMBLY



ITEM	QTY.	PART NO.	DESCRIPTION
REF	1	284885-01	COLUMN ASSEMBLY, LH, 35/44
		284885-01G	COLUMN ASSEMBLY, LH, 35/44 (GALVANIZED)
		284885-02	COLUMN ASSEMBLY, LH, 55/66
		284885-02G	COLUMN ASSEMBLY, LH, 55/66 (GALVANIZED)
1	2	207644	POP RIVET, 3/16" X .402" LG.
2	2	904717-06	ROLL PIN, 3/8" X 2" LG.
3	1	253696	PIN COLLAR, 2-3/4" LG.
4	1	260478	MAXON VERTICAL PLATE, 3" X 10-1/8" LG.
5	1	263114	COLUMN COVER
		281761-01	COLUMN COVER (ZINC PLATED)
6	1	268064-01	COLUMN WELDMENT, LH
		268064-02	COLUMN WELDMENT, LH (GALVANIZED)
7	1	268068-01	PIN, STAINLESS STEEL, 1" O.D. X 4-3/4" LG.
8	1	268068-02	PIN, STAINLESS STEEL, 1" O.D. X 5-7/8" LG.
9	1	280623-01	COUPLING LH, MACHINED
10	1	269312-01	COLUMN COVER, LH
11	2	900014-3	CAP SCREW, HEX, 3/8"-16 X 3/4" LG, GRADE 8
12	4	900014-4	CAP SCREW, HEX, 3/8"-16 X 1" LG, GRADE 8
13	4	902000-10	FLAT WASHER, 3/8"
14	6	902011-4	LOCK WASHER, 3/8"
15	4	904005-2	POP RIVET, 3/16" X .565" LG.
16	2	260403	PLUG
17	2	285135-01	LED LIGHT, OVAL, RED
18	2	285135-02	STAINLESS STEEL FLANGE
19	1	900037-11	SOCKET HEAD SCREW, 1/2"-20 X 3" LG, GRADE 8
20	6	902008	FENDER WASHER, 13/32"
21	1	280103	PIN, STAINLESS STEEL, 1-1/4" O.D. X 13" LG.
22	4	900064-04	BUTTON SOCKET CAP SCREW, 3/8"-16 X 7/8" LG.
23	1	287122	PLATE W/ DECAL
24	2	904000-1	POP RIVET, 1/8" X 3/8" LG.

LH RUNNER ASSEMBLY

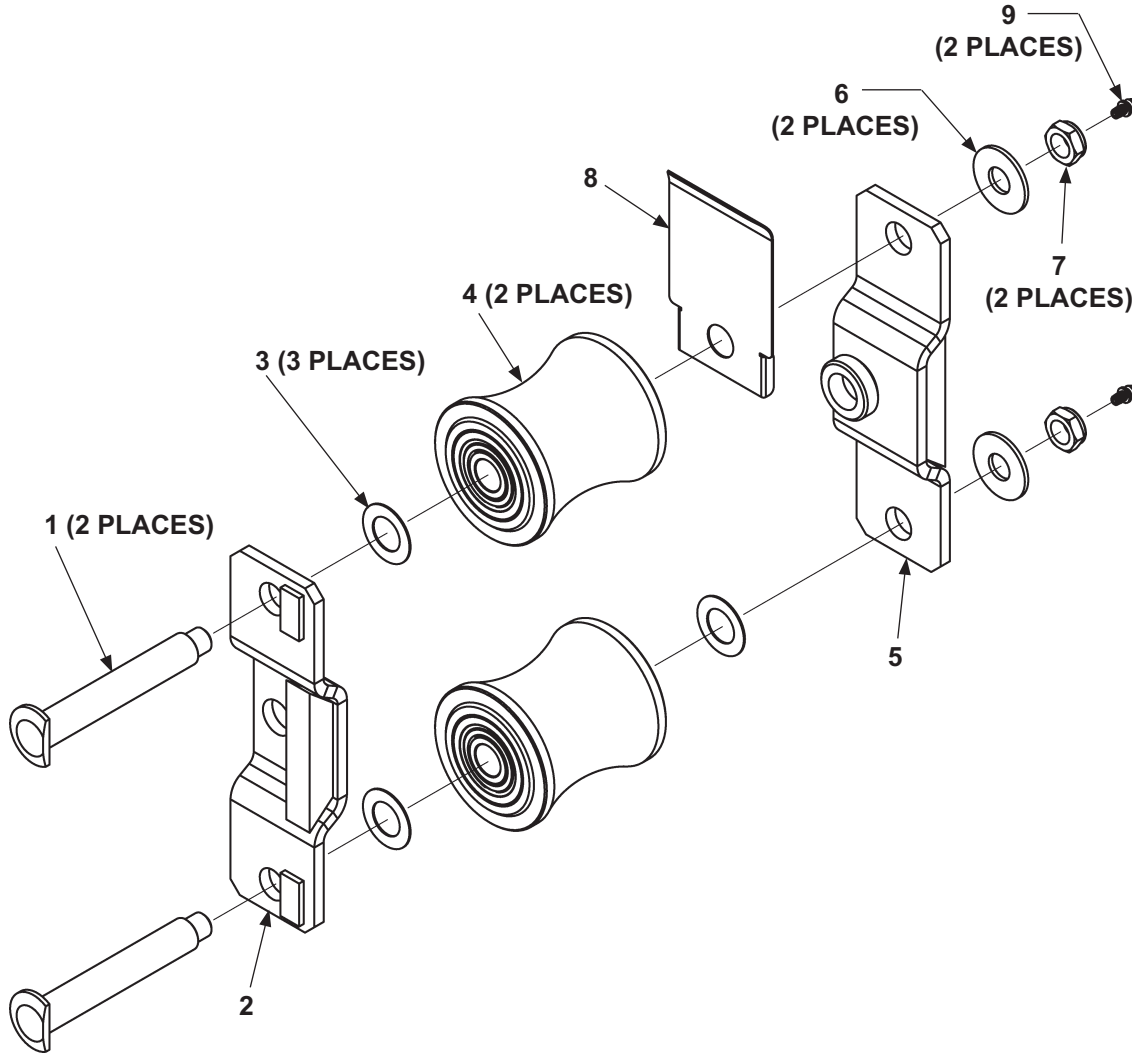


MAXON® 11921 Slauson Ave. Santa Fe Springs, CA. 90670 (800) 227-4116 FAX (888) 771-7713

ITEM	QTY.	PART NO.	DESCRIPTION
REF	1	280705-01	LH RUNNER ASSEMBLY
		280705-03	LH RUNNER ASSEMBLY (GALVANIZED)
1	2	900014-3	HEX HEAD CAP SCREW, 3/8"-16 X 3/4" LG, GRADE 8
2	6	902011-4	LOCK WASHER, 3/8"
3	1	263221	UPPER PAD SUPPORT ASSEMBLY
4	A/R	263030	SPACER
5	1	280703-01	LH RUNNER
		280703-03	LH RUNNER (GALVANIZED)
5A	1	253614	CHAIN BRACKET WELDMENT
5B	2	253645	GUSSET, CHAIN BRACKET
6	4	900014-12	HEX HEAD CAP SCREW, 3/8"-16 X 5/8" LG, GRADE 8
7	2	280067	ARM WELDMENT
8	1	900004-8	CAP SCREW, 1/4"-20 X 2" LG, GRADE 8
9	1	269227-01	PIN COLLAR
10	1	901000	NYLON LOCK NUT, 1/4"-20
11	2	901001	NYLON LOCK NUT, 5/16"-18
12	1	225278-02	RUBBER BUMPER
13	2	902013-10	FLAT WASHER, 5/16"
14	2	900001-4	BUTTON HEAD SCREW, 5/16"-18 X 1-1/4" LG.
15	1	263225	LOWER PAD SUPPORT ASSEMBLY
16	1	908011-01	BEARING, SELF LUBE, 2-1/2" DIA. X 2-1/8" LG.
17	1	253595	BEARING, SELF LUBE, 1-1/4" DIA. X 1" LG.
18	1	253543	PAD
19	8	207644	POP RIVET, 3/16" X 7/16" LG.
20	1	224342	GREASE FITTING 1/4"

NOTE: A/R means As Required.

UPPER TANDEM ASSEMBLY, LH RUNNER



ITEM	QTY.	PART NO.	DESCRIPTION
REF	1	268866-02	UPPER TANDEM ASSEMBLY, LH RUNNER
1	2	268898-01	ROLLER AXLE
2	1	280064	ROLLER BRACKET
3	3	261182	FLAT WASHER, .72" I.D. X 1-1/4" O.D. STAINLESS STEEL
4	2	268899-01	ROLLER
5	1	280063	ROLLER BRACKET
6	2	902014	FLAT WASHER, 5/8" I.D. X 1-3/8" O.D.
7	2	901016-1	LOCK NUT, THIN HEAD, 1/2"-20
8	1	280851-01	ROLLER COVER
9	2	268264-02	GREASE FITTING, DRIVE-IN, 3/16"

MAXON[®]

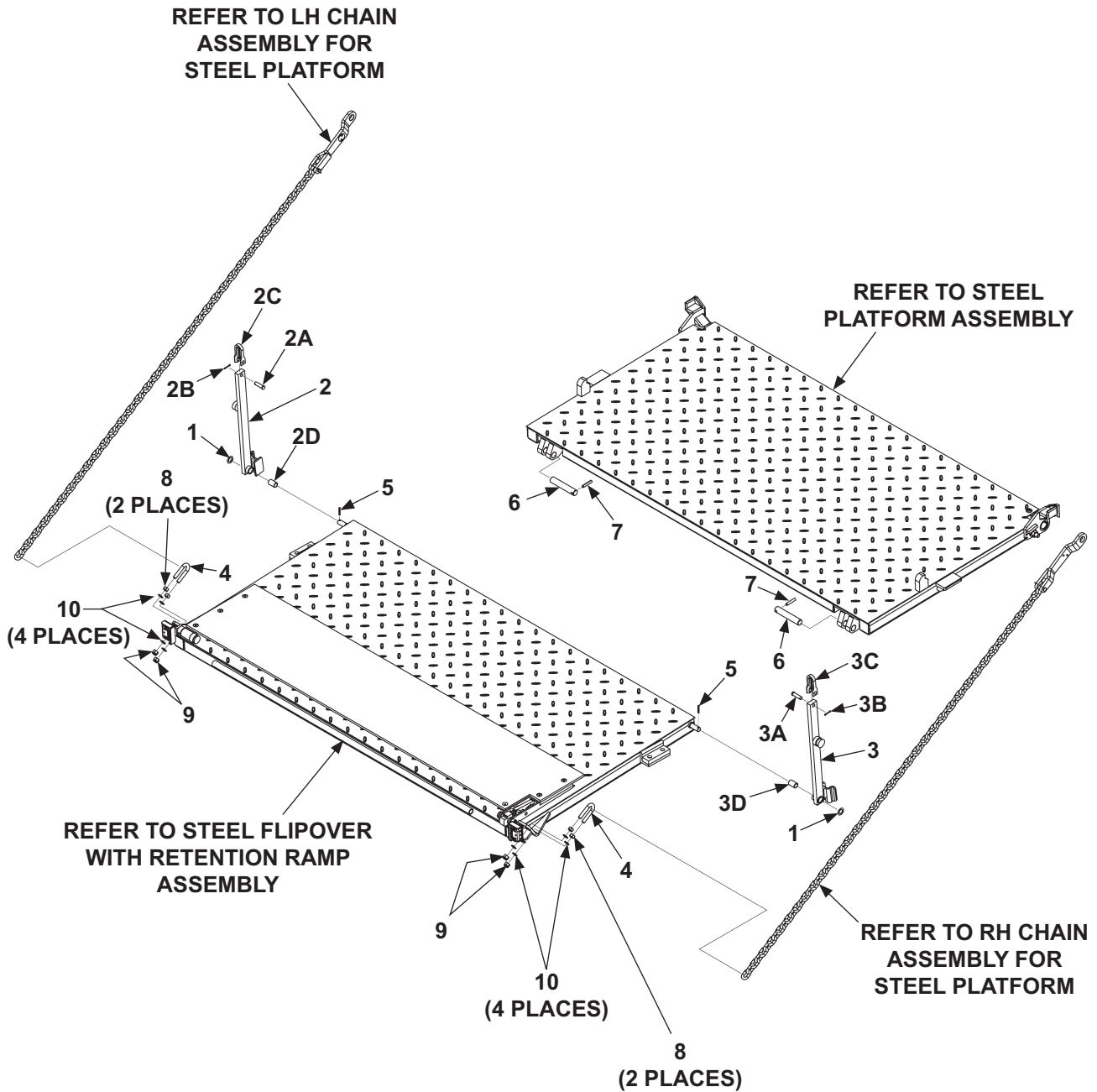
11921 Slauson Ave. Santa Fe Springs, CA. 90670 (800) 227-4116 FAX (888) 771-7713

THIS PAGE INTENTIONALLY LEFT BLANK

PLATFORM, FLIPOVER, AND CHAIN ASSEMBLY - 1 (STEEL)

⚠ CAUTION

MAXON recommends replacing LH & RH platform support chains as a set. Possible harm to users or bystanders and/or equipment damage could result if chains are only replaced one at a time.



MAXON®

11921 Slauson Ave. Santa Fe Springs, CA. 90670 (800) 227-4116 FAX (888) 771-7713

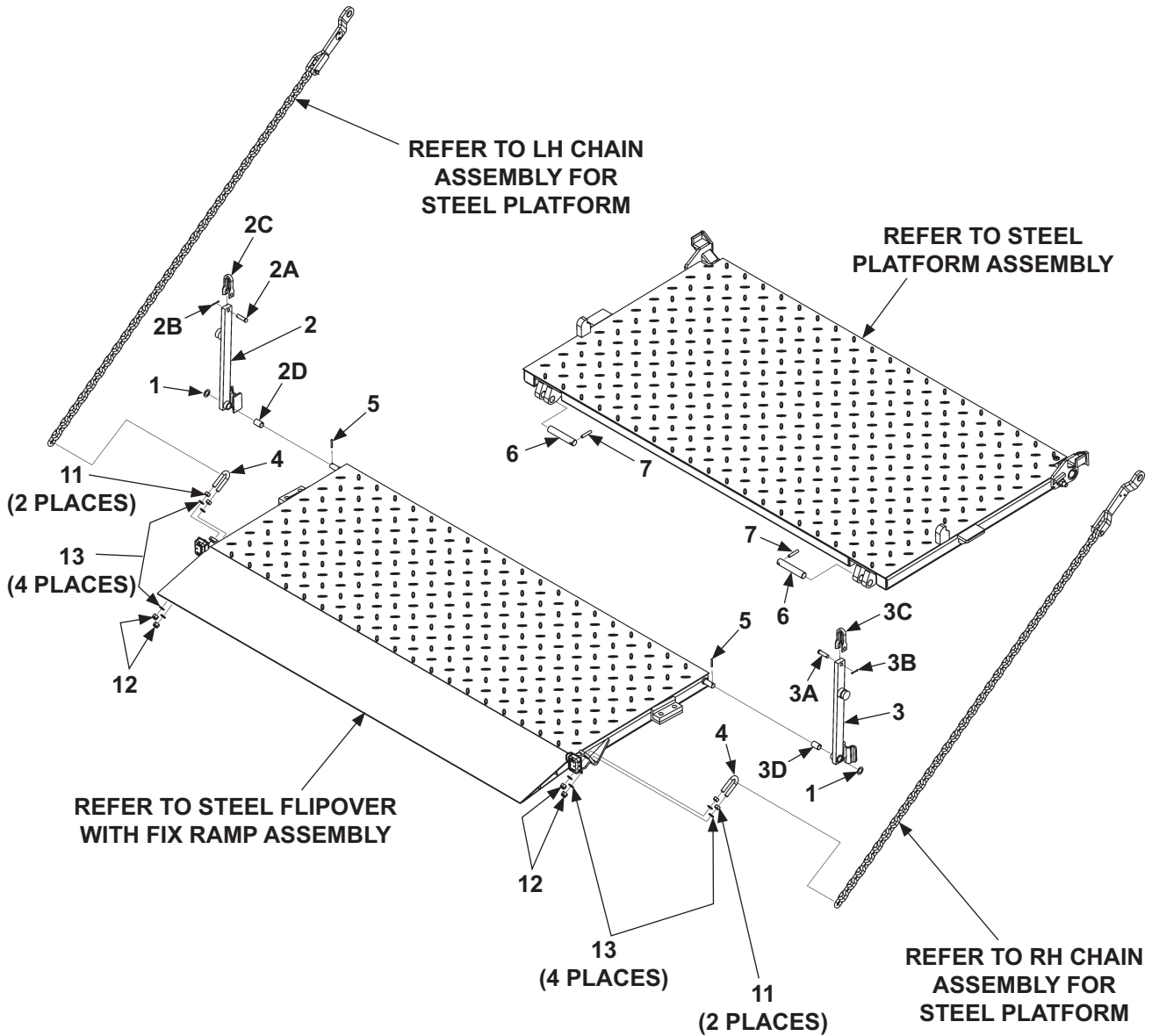
ITEM	QTY.	PART NO.	DESCRIPTION
1	2	261685	FLAT WASHER, 3/4" I.D. STAINLESS STEEL
2	1	269222-01G	OPENER ASSEMBLY LH (GALVANIZED), 30" + 30" *
		269222-03G	OPENER ASSEMBLY LH (GALVANIZED), 36" + 36" *
		269222-05G	OPENER ASSEMBLY LH (GALVANIZED), 42" + 42" *
		269222-07G	OPENER ASSEMBLY LH (GALVANIZED), 36" + 24" *
		269222-09G	OPENER ASSEMBLY LH (GALVANIZED), 42" + 30" *
2A	1	905136-01	CLEVIS PIN, 1/2" X 1-7/8" LG, GRADE 8
2B	1	030805	COTTER PIN, 1/8" X 1" LG.
2C	1	280644-01	ANCHOR SHACKLE
2D	1	260917-05	BEARING, SELF LUBE, 3/4" DIA. X 1-3/8" LG.
3	1	269222-02G	OPENER ASSEMBLY RH (GALVANIZED), 30" + 30" *
		269222-04G	OPENER ASSEMBLY RH (GALVANIZED), 36" + 36" *
		269222-06G	OPENER ASSEMBLY RH (GALVANIZED), 42" + 42" *
		269222-08G	OPENER ASSEMBLY RH (GALVANIZED), 36" + 24" *
		269222-10G	OPENER ASSEMBLY RH (GALVANIZED), 42" + 30" *
3A	1	905136-01	CLEVIS PIN, 1/2" X 1-7/8" LG, GRADE 8
3B	1	030805	COTTER PIN, 1/8" X 1" LG.
3C	1	280644-01	ANCHOR SHACKLE
3D	1	260917-05	BEARING, SELF LUBE, 3/4" DIA. X 1-3/8" LG.
4	2	282854-01	U-BOLT
5	2	905015-3	ROLL PIN, 3/16" X 1-1/2" LG.
6	2	268068-03	PIN, STAINLESS STEEL 5-1/2" LG.
7	2	221416	ROLL PIN, 3/8" X 2" LG.
8	4	901011-9	NUT, 1/2"
9	4	901010	NYLON LOCK NUT, 1/2"-13
10	8	902000-14	FLAT WASHER, 1/2"

* PLATFORM + FLIPOVER DEPTH

PLATFORM, FLIPOVER, AND CHAIN ASSEMBLY - 2 (STEEL)

⚠ CAUTION

MAXON recommends replacing LH & RH platform support chains as a set. Possible harm to users or bystanders and/or equipment damage could result if chains are only replaced one at a time.



MAXON®

11921 Slauson Ave. Santa Fe Springs, CA. 90670 (800) 227-4116 FAX (888) 771-7713

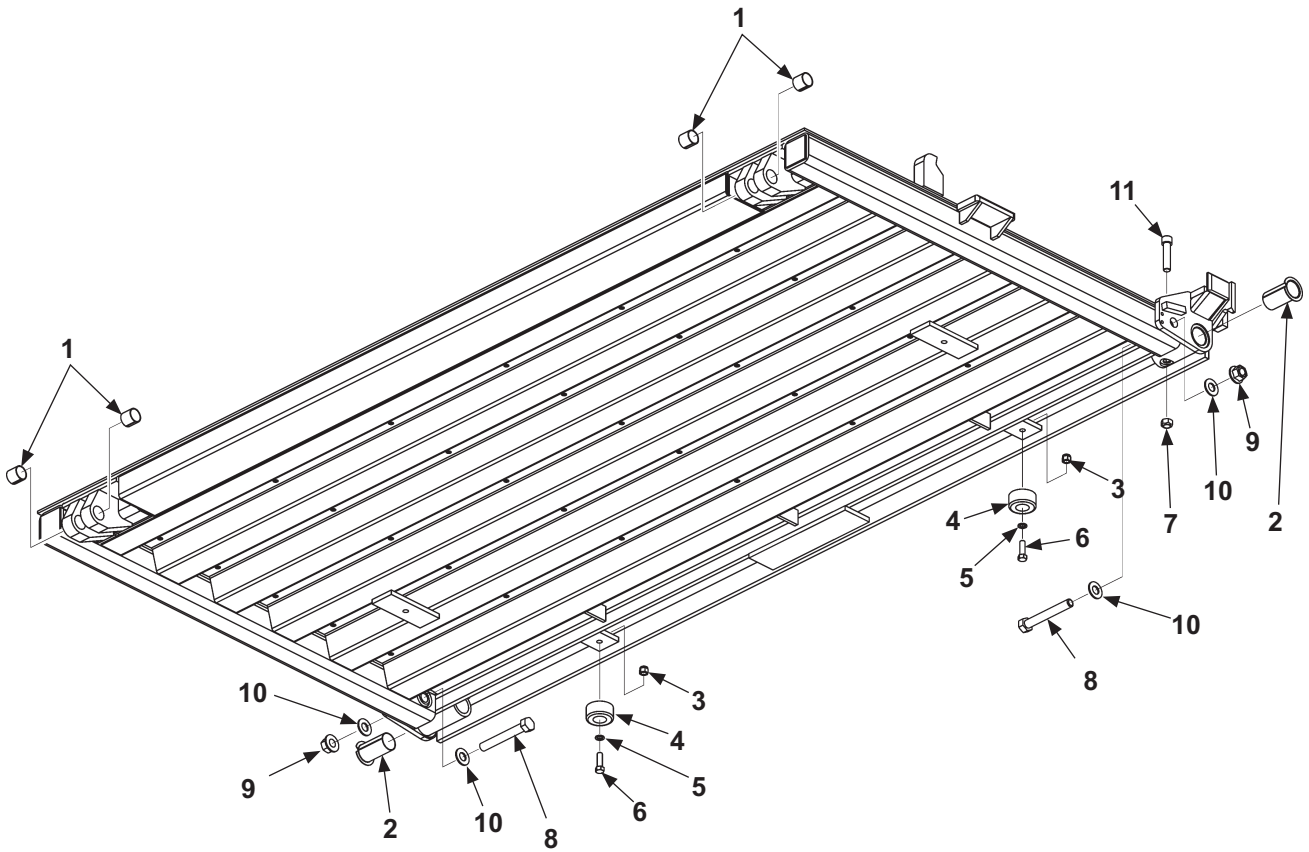
ITEM	QTY.	PART NO.	DESCRIPTION
1	2	261685	FLAT WASHER, 3/4" I.D. STAINLESS STEEL
2	1	269222-09G	OPENER ASSEMBLY LH (GALVANIZED), 42" + 30" *
2A	1	905136-01	CLEVIS PIN, 1/2" X 1-7/8" LG, GRADE 8
2B	1	030805	COTTER PIN, 1/8" X 1" LG.
2C	1	280644-01	ANCHOR SHACKLE
2D	1	260917-05	BEARING, SELF LUBE, 3/4" DIA. X 1-3/8" LG.
3	1	269222-10G	OPENER ASSEMBLY RH (GALVANIZED), 42" + 30" *
3A	1	905136-01	CLEVIS PIN, 1/2" X 1-7/8" LG, GRADE 8
3B	1	030805	COTTER PIN, 1/8" X 1" LG.
3C	1	280644-01	ANCHOR SHACKLE
3D	1	260917-05	BEARING, SELF LUBE, 3/4" DIA. X 1-3/8" LG.
4	2	282854-01	U-BOLT
5	2	905015-3	ROLL PIN, 3/16" X 1-1/2" LG.
6	2	268068-03	PIN, STAINLESS STEEL 5-1/2" LG.
7	2	221416	ROLL PIN, 3/8" X 2" LG.
8	2	905136-01	CLEVIS PIN, 1/2" X 1-7/8" LG, GRADE 8
9	2	030805	COTTER PIN, 1/8" X 1" LG.
10	2	280644-01	ANCHOR SHACKLE
11	4	901011-9	NUT, 1/2"
12	4	901010	NYLON LOCK NUT, 1/2"-13
13	8	902000-14	FLAT WASHER, 1/2"

* PLATFORM + FLIPOVER DEPTH

PLATFORM ASSEMBLY (STEEL)

MAXON[®]

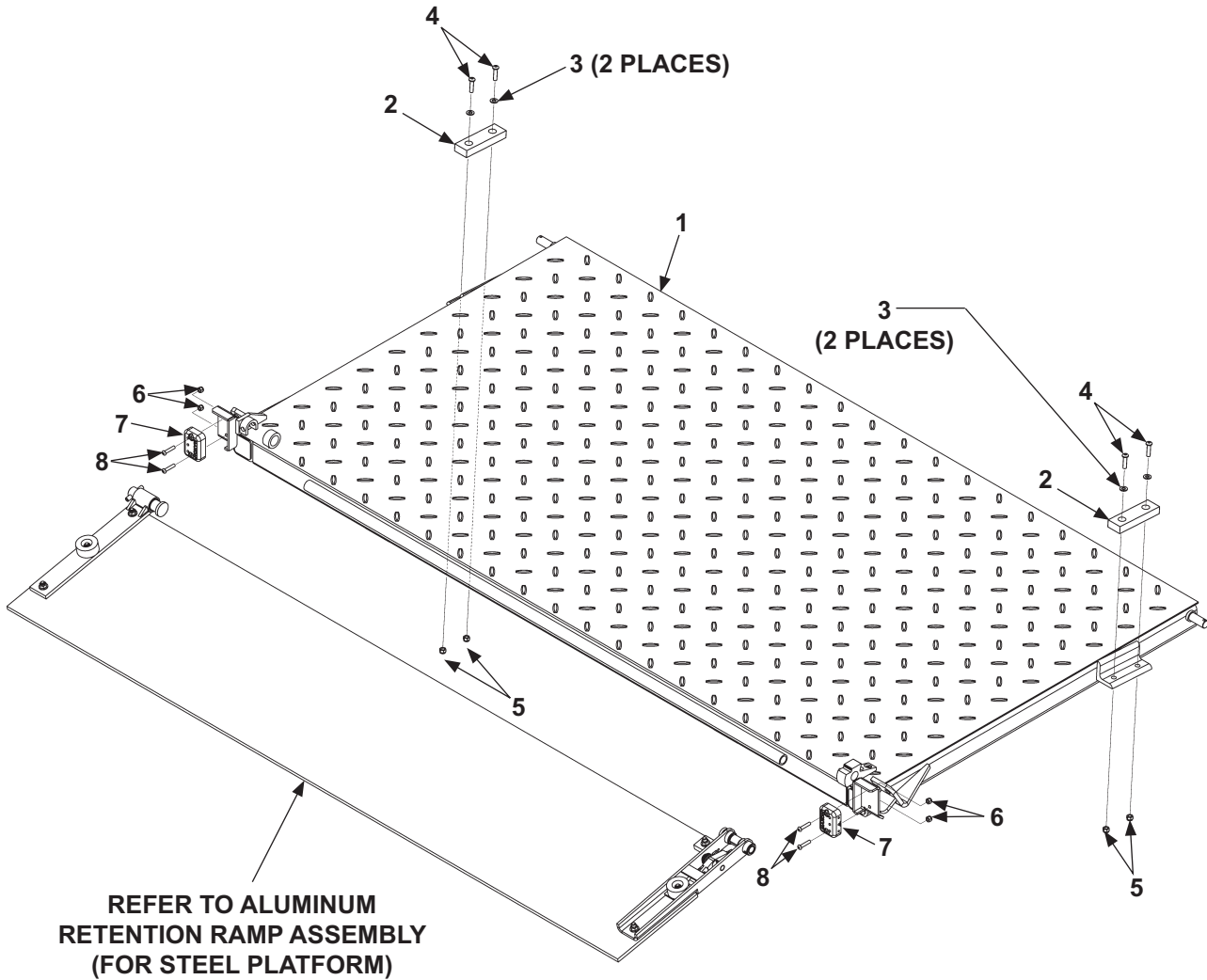
11921 Slauson Ave. Santa Fe Springs, CA. 90670 (800) 227-4116 FAX (888) 771-7713



ITEM	QTY.	DESCRIPTION	PART NO.		
			30" DEEP	36" DEEP	42" DEEP
REF	1	PLATFORM, 96" WIDE VEHICLE (BMR-A 55-66)	284883-601	284883-602	284883-603
		PLATFORM, 102" WIDE VEHICLE (BMR-A 55-66)	284883-611	284883-612	284883-613
		PLATFORM, 96" WIDE VEHICLE (BMR-A 35-44)	284883-401	284883-402	284883-403
		PLATFORM, 102" WIDE VEHICLE (BMR-A 35-44)	284883-411	284883-412	284883-413
		PLATFORM, 96" WIDE VEHICLE (GALVANIZED)	284883-601G	284883-602G	284883-603G
		PLATFORM, 102" WIDE VEHICLE (GALVANIZED)	284883-611G	284883-612G	284883-613G
1	4	BEARING, SELF LUBE, 1" DIA. X 1" LG.	253657		
2	2	BEARING, SELF LUBE, 2-1/4" DIA. X 2-1/2" LG.	905200		
3	2	NYLON LOCK NUT, 3/6"-16	901002		
4	2	RUBBER BUMPER	253516		
5	2	FLAT WASHER, 3/8"	902000-10		
6	2	HEX HEAD BOLT, 3/8"-16 X 1-1/4" LG, GRADE 8	900014-5		
7	1	NYLON LOCK NUT, 1/2"-13	040066		
8	2	HEX HEAD SCREW, 5/8"-11 X 4-1/2" LG.	900055-14		
9	2	FLANGE LOCK NUT, 63-11, PL	903136-05		
10	4	FLAT WASHER, 5/8"	902013-15		
11	1	SOCKET SCREW, 1/2"-13 X 2-1/4" LG, GRADE 8	900036-10		

MAXON[®] 11921 Slauson Ave. Santa Fe Springs, CA. 90670 (800) 227-4116 FAX (888) 771-7713

FLIPOVER WITH RETENTION RAMP (STEEL)

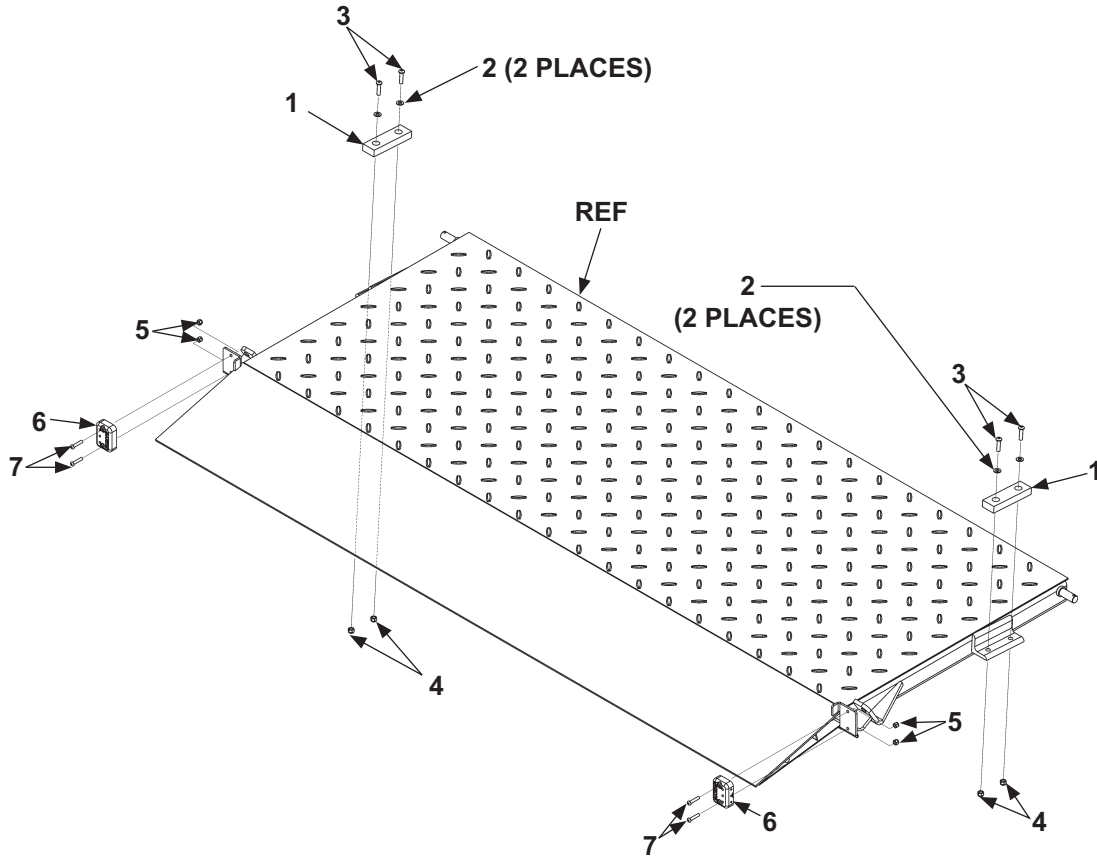


ITEM	QTY.	PART NO.	DESCRIPTION
1	1	285502-403	FLIPOVER, 80"W X 42"D (BMRSD 35-44, 96" WIDE VEHICLE)
		285502-603	FLIPOVER, 80"W X 42"D (BMRSD 55-66, 96" WIDE VEHICLE)
		285502-603G	FLIPOVER, 80"W X 42"D (GALVANIZED)
		285502-413	FLIPOVER, 86"W X 42"D (BMRSD 35-44, 102" WIDE VEHICLE)
		285502-613	FLIPOVER, 86"W X 42"D (BMRSD 55-66, 102" WIDE VEHICLE)
		285502-613G	FLIPOVER, 86"W X 42"D (GALVANIZED)
2	2	225278-02	BUMPER
3	4	902013-10	FLAT WASHER, 5/16"
4	4	900001-4	BUTTON HEAD SCREW, 5/16"-18 X 1-1/4" LG.
5	4	901001	NYLON LOCK NUT, 5/16"-18
6	4	901000	NYLON LOCK NUT, 1/4"-20
7	2	907150	FLASHING SAFETY LIGHT
8	4	900719-08	BUTTON SCREW, 1/4"-20 X 1-1/4"

MAXON®

11921 Slauson Ave. Santa Fe Springs, CA. 90670 (800) 227-4116 FAX (888) 771-7713

FLIPOVER WITH FIX RAMP (STEEL)

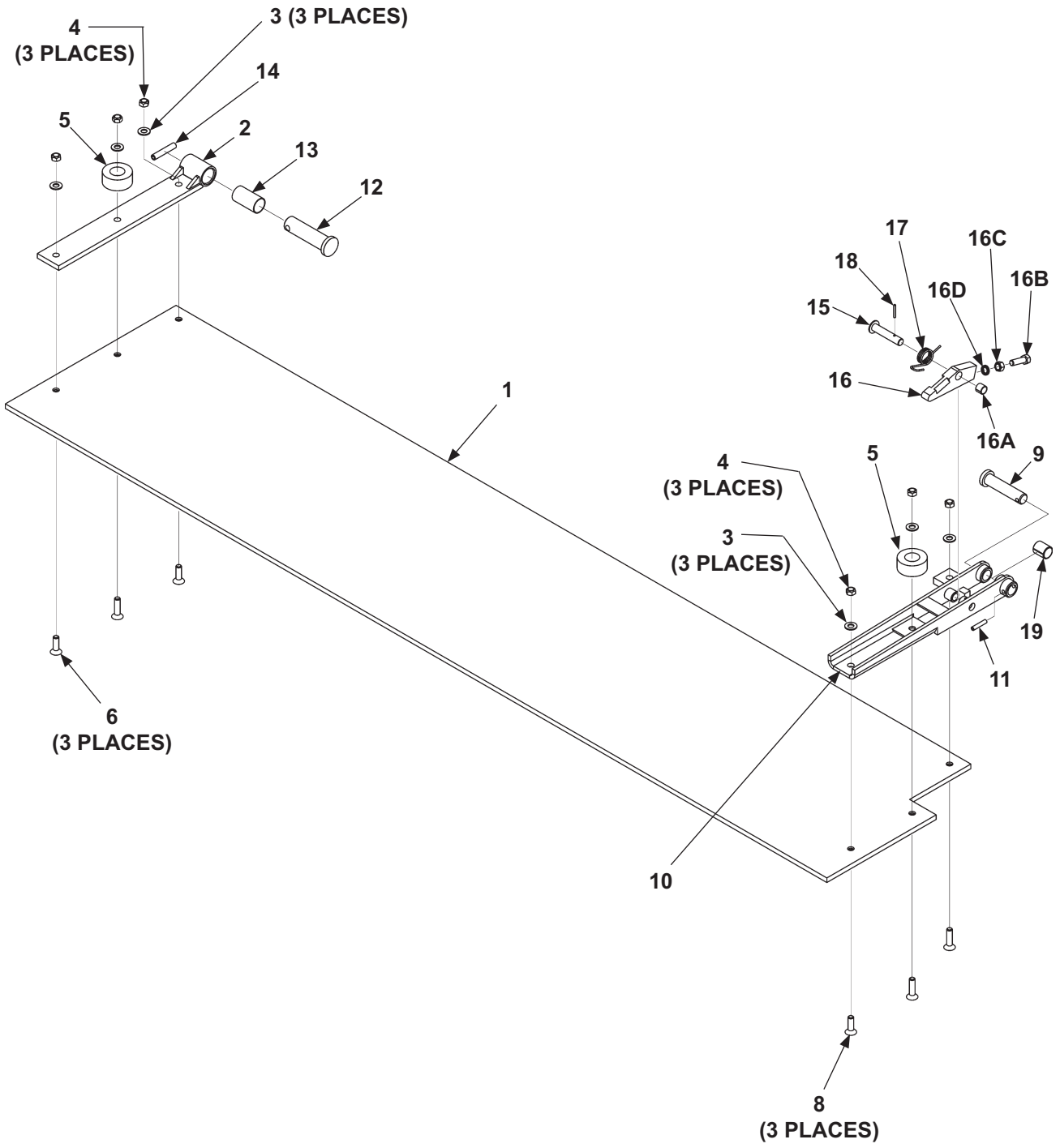


ITEM	QTY.	PART NO.	DESCRIPTION
REF	1	284888-407	FLIPOVER, 80"W X 30"D + 12 FIX RAMP (BMR-A 35-44, 96" WIDE VEHICLE)
		284888-607	FLIPOVER, 80"W X 30"D + 12 FIX RAMP (BMR-A 55-66, 96" WIDE VEHICLE)
		284888-607G	FLIPOVER, 80"W X 30"D + 12 FIX RAMP (GALVANIZED)
		284888-417	FLIPOVER, 86"W X 30"D + 12 FIX RAMP (BMR-A 35-44, 102" WIDE VEHICLE)
		284888-617	FLIPOVER, 86"W X 30"D + 12 FIX RAMP (BMR-A 55-66, 102" WIDE VEHICLE)
		284888-617G	FLIPOVER, 86"W X 30"D + 12 FIX RAMP (GALVANIZED)
1	2	225278-02	BUMPER
2	4	902013-10	FLAT WASHER, 5/16"
3	4	900001-4	BUTTON HEAD SCREW, 5/16"-18 X 1-1/4" LG.
4	4	901001	NYLON LOCK NUT, 5/16"-18
5	4	901000	NYLON LOCK NUT, 1/4"-20
6	2	907150	FLASHING SAFETY LIGHT
7	4	900719-08	BUTTON SCREW, 1/4"-20 X 1-1/4" LG.

MAXON[®] 11921 Slauson Ave. Santa Fe Springs, CA. 90670 (800) 227-4116 FAX (888) 771-7713

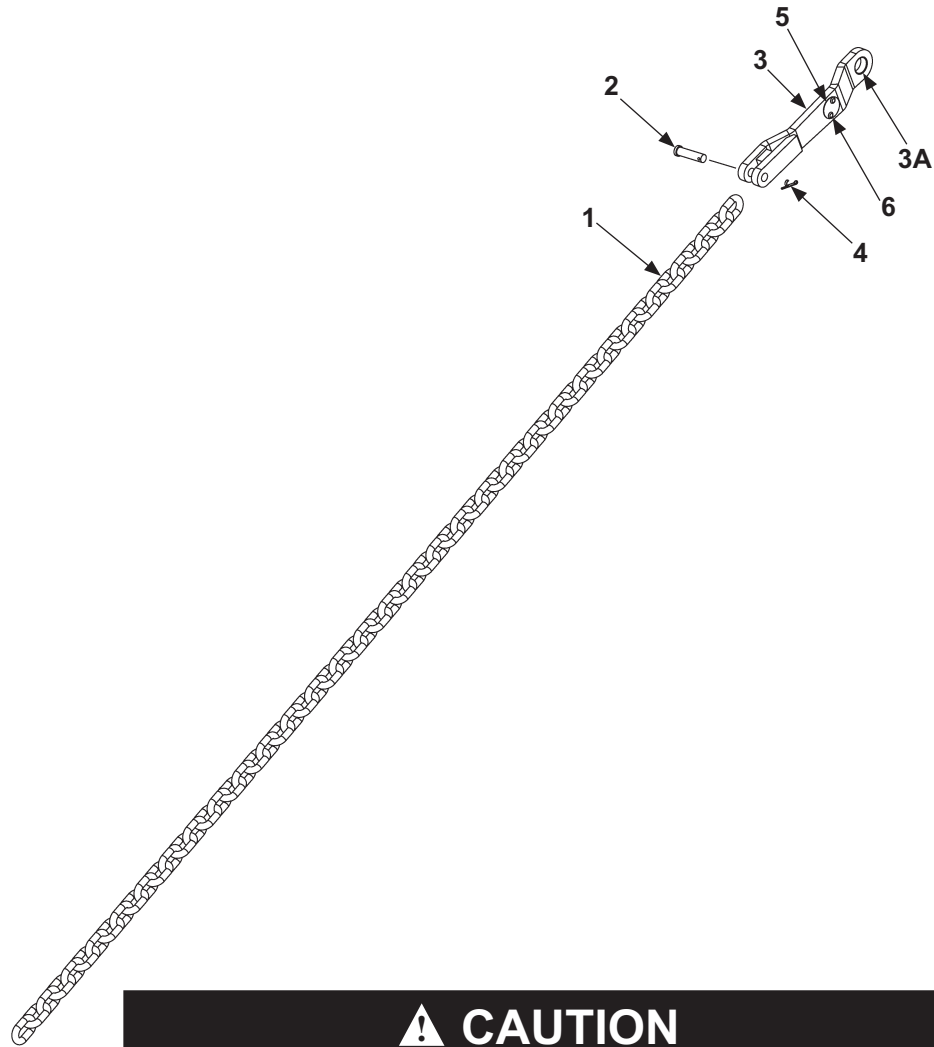
ALUMINUM RETENTION RAMP ASSEMBLY (FOR STEEL PLATFORM)

MAXON® 11921 Slauson Ave. Santa Fe Springs, CA. 90670 (800) 227-4116 FAX (888) 771-7713



ITEM	QTY.	PART NO.	DESCRIPTION
REF	1	285503-96	AL RET. RAMP ASSEMBLY, 16" (96" WIDE VEH) (GALVANIZED)
		285503-102	AL RET. RAMP ASSEMBLY, 16" (102" WIDE VEH) (GALVANIZED)
1	1	264697-02	ALUMINUM RAMP 16" X 77" LG. (96" WIDE VEH)
		264697-03	ALUMINUM RAMP 16" X 83" LG. (102" WIDE VEH)
2	1	253526-01	HINGE ASSEMBLY, LH (GALVANIZED)
3	6	902001-2	FLAT WASHER, 3/8"
4	6	030955	NYLON LOCK NUT, 3/8"-16
5	2	905363-01	RUBBER BUMPER
6	3	900040-5	SCREW, FLAT SOCKET HEAD, 3/8"-16" X 1-1/4" LG.
8	3	900040-6	SCREW, FLAT SOCKET HEAD, 3/8"-16 X 1-1/2" LG.
9	1	264586	PIN WELDMENT
10	1	269555-01	HINGE ASSEMBLY, RH (GALVANIZED)
11	1	905033-2	ROLL PIN, 1/4" X 1-1/4" LG.
12	1	253528	PIN WELDMENT
13	1	253541	BEARING, SELF LUBE, 1" DIA. X 2" LG.
14	1	904717-06	ROLL PIN, 3/8" X 2" LG.
15	1	264577	PIN WELDMENT, 1/2" LG.
16	1	269553-01	LOCKING ARM ASSEMBLY
16A	1	253542	BEARING, SELF LUBE, 1/2" DIA. X 1/2" LG.
16B	1	030035	BOLT, 3/8"-24 X 1-1/4" GRADE 8
16C	1	901011-6	HEX NUT, 3/8"-24
16D	1	903435-06	NORD-LOCK WASHER, 3/8"- M10
17	1	264638	TORSION SPRING, LH
18	1	030406	ROLL PIN, 1/8" X 1" LG.
19	1	260917-06	BEARING, SELF LUBE, 3/4" DIA. X 1" LG.

LH CHAIN ASSEMBLY (FOR STEEL PLATFORM)



⚠ CAUTION

MAXON recommends replacing LH & RH platform support chains as a set. Possible harm to users or bystanders and/or equipment damage could result if chains are only replaced one at a time.

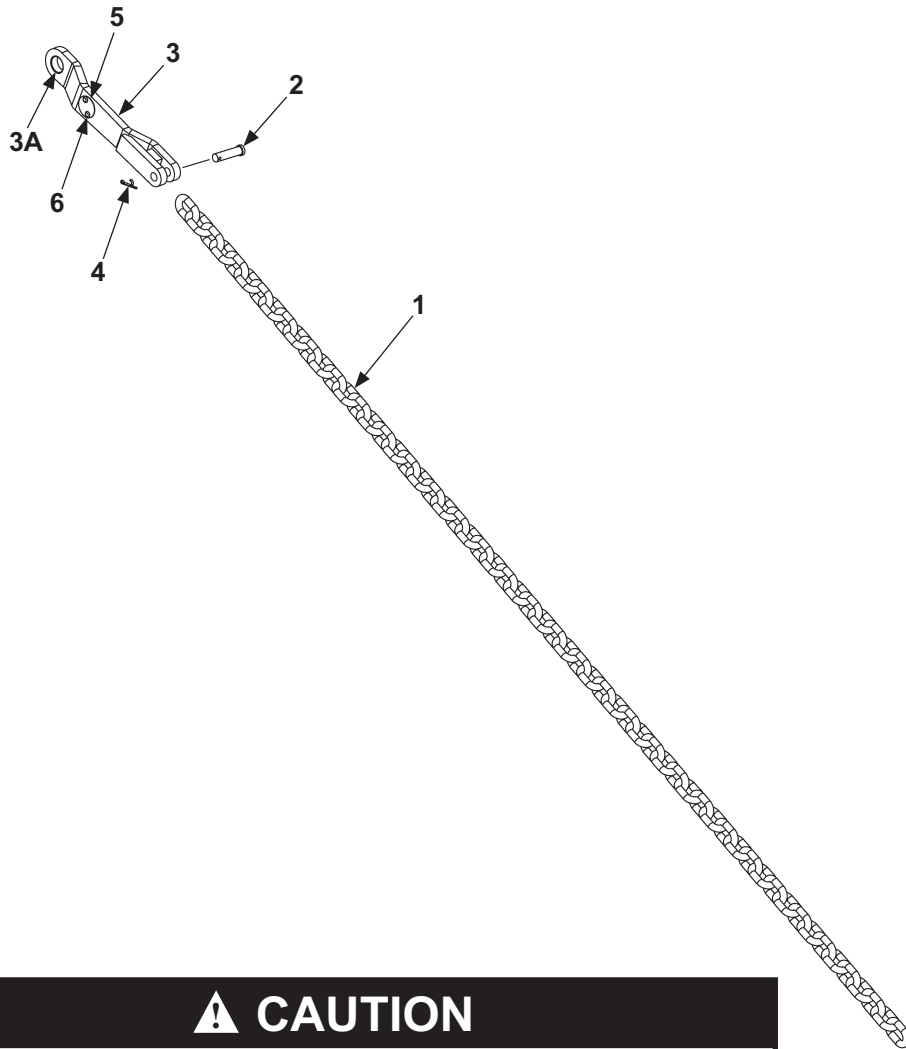
ITEM	QTY.	DESCRIPTION	PART NO.	
			* 42" + 42"	* 42" + 30"
REF	1	CHAIN ASSEMBLY LH	282867-03	282867-01
1	1	CHAIN (GALVANIZED)	282866-02	282866-01
2	1	CLEVIS PIN, 1/2" X 1-7/8" LG.	905136-01	
3	1	TEAR DROP ASSEMBLY, LH	280505-01	
3A	1	BEARING, SELF-LUBE	260078	
4	1	COTTER PIN, 1/8" X 1-1/2" LG.	030177	
5	1	KEEP HANDS CLEAR (PLATE) (SEE DECAL SEC)	REF	
6	2	POP RIVET, 3/16" X .40" LG.	REF	

* PLATFORM + FLIPOVER DEPTH

MAXON[®]

11921 Slauson Ave. Santa Fe Springs, CA. 90670 (800) 227-4116 FAX (888) 771-7713

RH CHAIN ASSEMBLY (FOR STEEL PLATFORM)



⚠ CAUTION

MAXON recommends replacing LH & RH platform support chains as a set. Possible harm to users or bystanders and/or equipment damage could result if chains are only replaced one at a time.

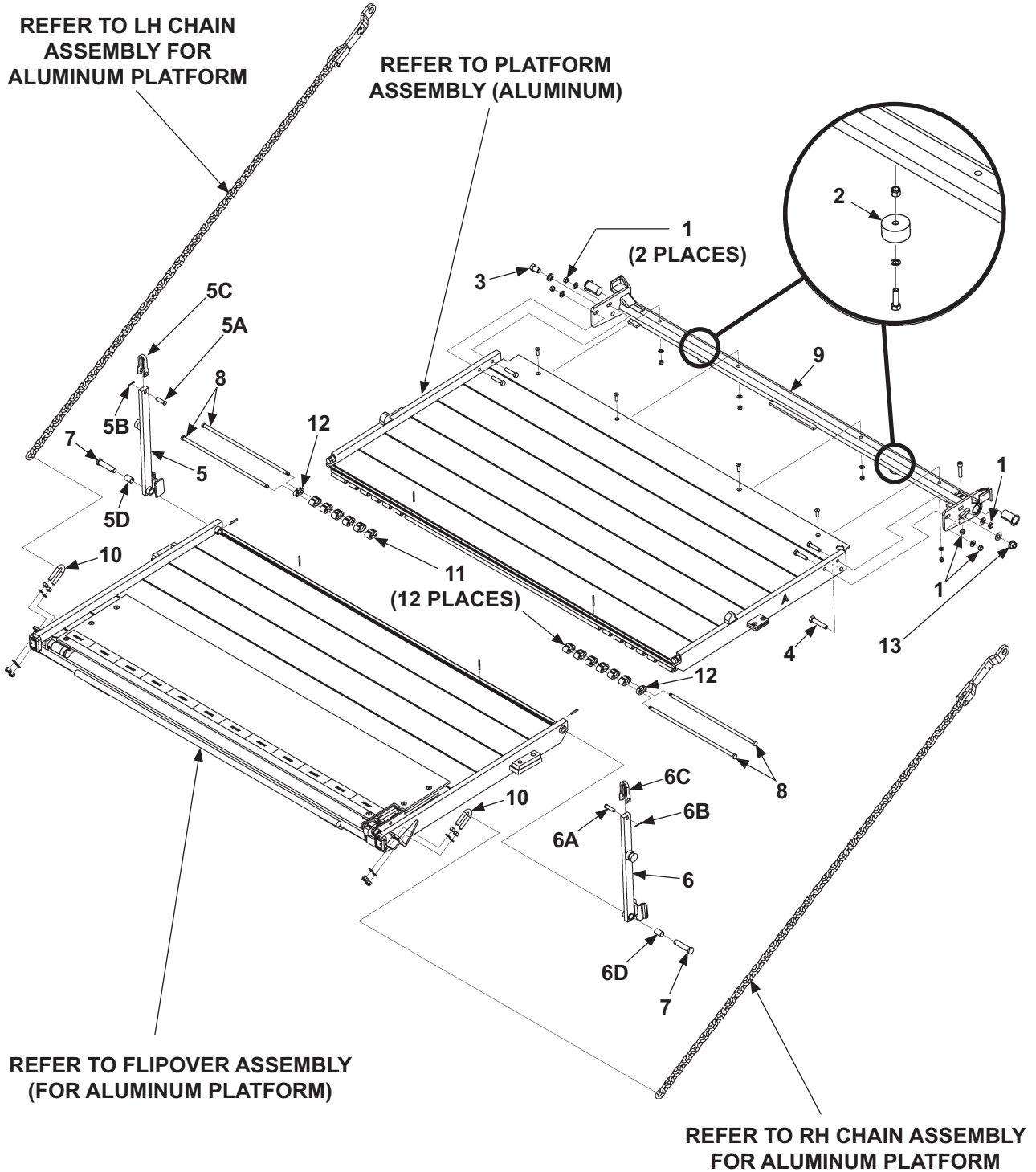
ITEM	QTY.	DESCRIPTION	PART NO.	
			* 42" + 42"	* 42" + 30"
REF	1	CHAIN ASSEMBLY RH	282867-04	282867-02
1	1	CHAIN (GALVANIZED)	282866-02	282866-01
2	1	CLEVIS PIN, 1/2" X 1-7/8" LG.	905136-01	
3	1	TEAR DROP ASSEMBLY, RH	280505-02	
3A	1	BEARING, SELF-LUBE	260078	
4	1	COTTER PIN, 1/8" X 1-1/2"	030177	
5	1	KEEP HANDS CLEAR (PLATE) (SEE DECAL SEC)	REF	
6	2	POP RIVET, 3/16" X .40" LG.	REF	

* PLATFORM + FLIPOVER DEPTH

PLATFORM, FLIPOVER, AND CHAIN ASSEMBLY - 1 (ALUMINUM)

⚠ CAUTION

MAXON recommends replacing LH & RH platform support chains as a set. Possible harm to users or bystanders and/or equipment damage could result if chains are only replaced one at a time.



MAXON®

11921 Slauson Ave. Santa Fe Springs, CA. 90670 (800) 227-4116 FAX (888) 771-7713

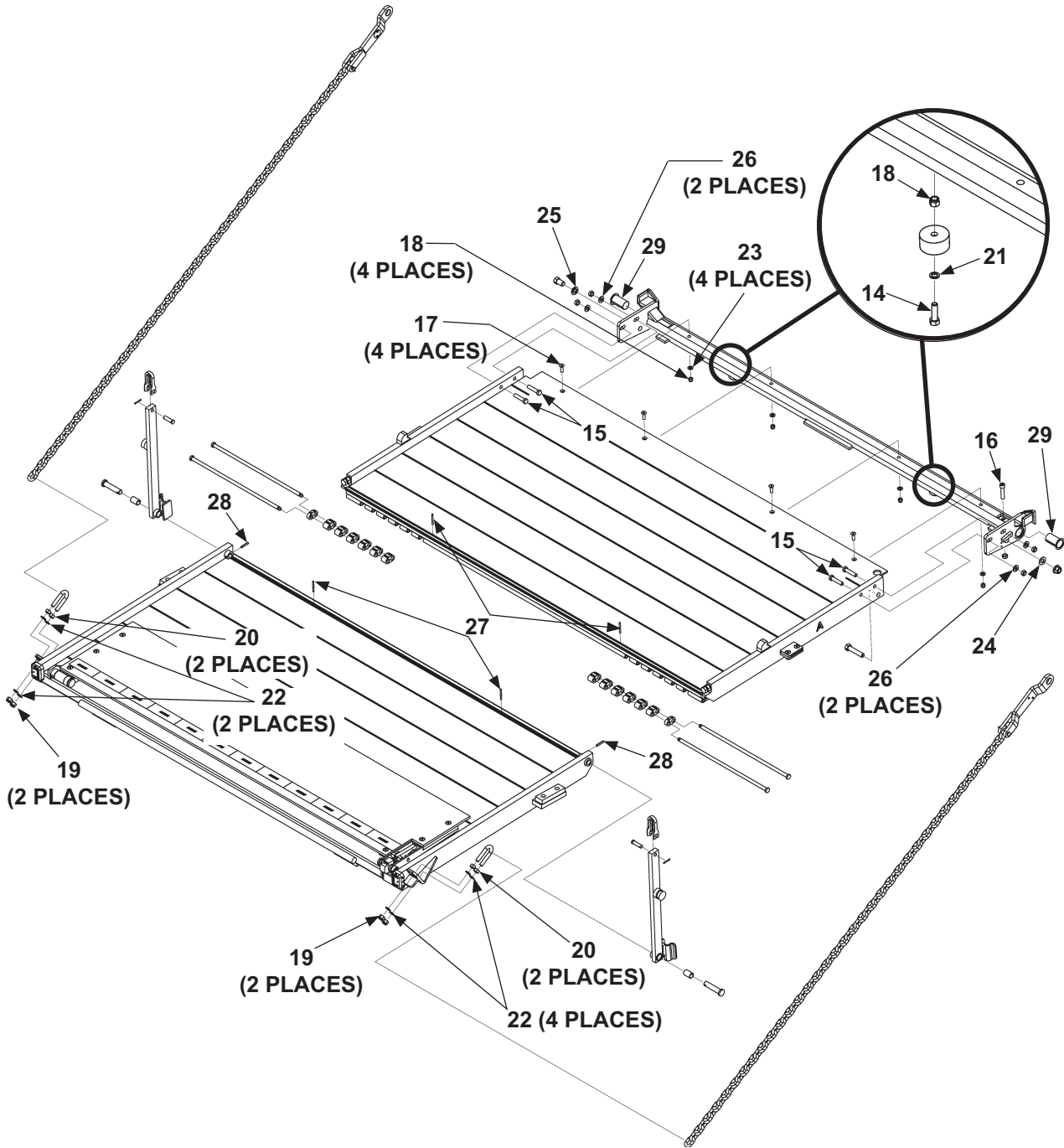
ITEM	QTY.	PART NO.	DESCRIPTION
1	5	040066	NYLON LOCK NUT, 1/2"-13
2	2	253516	RUBBER BUMPER
3	1	260181-01	BOLT, 3/4"-10 X 1-1/8" LG.
4	1	900055-14	HEX HEAD SCREW, 5/8"-11 X 4-1/2" LG.
5	1	269222-01G	OPENER ASSEMBLY LH (GALVANIZED), 30" + 30" *
		269222-03G	OPENER ASSEMBLY LH (GALVANIZED), 36" + 36" *
		269222-05G	OPENER ASSEMBLY LH (GALVANIZED), 42" + 42" *
5A	1	905136-01	CLEVIS PIN, 1/2" X 1-7/8" LG, GRADE 8
5B	1	030805	COTTER PIN, 1/8" X 1" LG.
5C	1	280644-01	ANCHOR SHACKLE
5D	1	260917-05	BEARING, SELF LUBE, 3/4" DIA. X 1-3/8" LG.
6	1	269222-02G	OPENER ASSEMBLY RH (GALVANIZED), 30" + 30" *
		269222-04G	OPENER ASSEMBLY RH (GALVANIZED), 36" + 36" *
		269222-06G	OPENER ASSEMBLY RH (GALVANIZED), 42" + 42" *
6A	1	905136-01	CLEVIS PIN, 1/2" X 1-7/8" LG, GRADE 8
6B	1	030805	COTTER PIN, 1/8" X 1" LG.
6C	1	280644-01	ANCHOR SHACKLE
6D	1	260917-05	BEARING, SELF LUBE, 3/4" DIA. X 1-3/8" LG.
7	2	280195	PIN
8	4	282366-01	HINGE PIN
9	1	282621-04	CONNECTOR BAR WELDMENT 96" (GALVANIZED)
		282621-03	CONNECTOR BAR WELDMENT 102" (GALVANIZED)
10	2	282854-01	U-BOLT
11	12	311046-10	LINK SPACER, 1" LG.
12	2	311046-11	LINK SPACER, 1/2" LG.
13	1	903136-05	FLANGE LOCK NUT, 5/8"-11

* PLATFORM + FLIPOVER DEPTH

PLATFORM, FLIPOVER, AND CHAIN ASSEMBLY - 1 (ALUMINUM) - Continued

MAXON[®]

11921 Slauson Ave. Santa Fe Springs, CA. 90670 (800) 227-4116 FAX (888) 771-7713



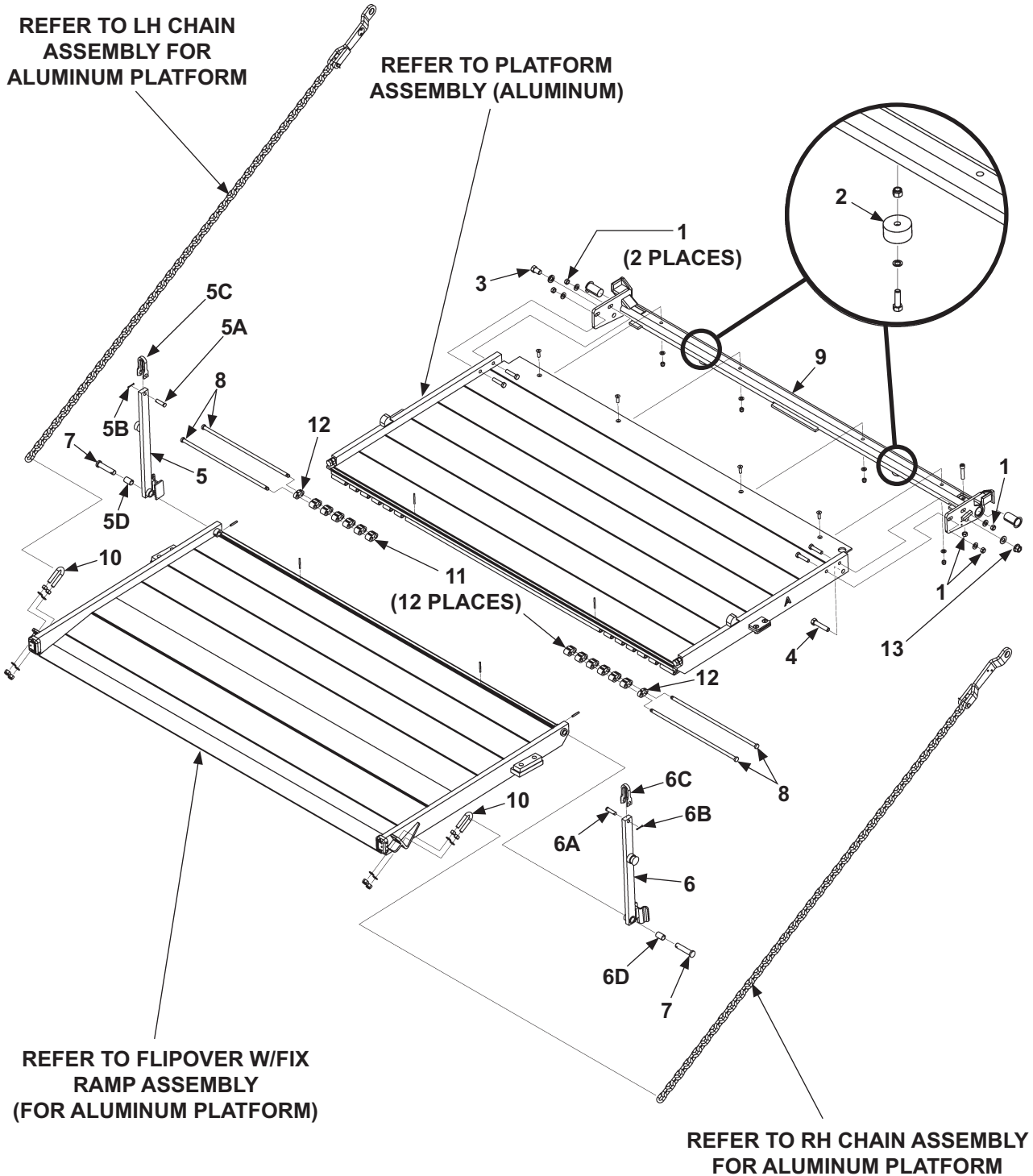
ITEM	QTY.	PART NO.	DESCRIPTION
14	2	900014-5	HEX HEAD BOLT, 3/8"-16 X 1-1/4" LG, GRADE 8
15	4	900035-6	HEX HEAD CAP SCREW, 1/2"-13 X 2-1/4" LG, GRADE 8
16	1	900036-10	SOCKET SCREW, 1/2"-13 X 2-1/4" LG, GRADE 8
17	4	900040-5	FLAT HEAD SOCKET SCREW, 3/8"-16 X 1-1/4"
18	6	901002	NYLON NUT, 3/8"-16
19	4	901010	NYLON LOCK NUT, 1/2"-13
20	4	901011-9	NUT, 1/2"-13
21	2	902000-10	FLAT WASHER, 3/8"
22	8	902000-14	FLAT WASHER, 1/2"
23	4	902001-2	FLAT WASHER, 3/8"
24	1	902013-15	FLAT WASHER, 5/8"
25	1	902011-9	LOCK WASHER, 3/4"
26	4	902013-13	FLAT WASHER, 1/2"
27	4	904719-17	ROLL PIN, 3/16" X 2" LG.
28	2	905033-1	ROLL PIN, 1/4" X 1-1/2" LG.
29	2	905200	BEARING, SELF LUBE, 2-1/4" I.D. X 2-1/2" LG.

MAXON[®] 11921 Slauson Ave. Santa Fe Springs, CA. 90670 (800) 227-4116 FAX (888) 771-7713

PLATFORM, FLIPOVER, AND CHAIN ASSEMBLY - 2 (ALUMINUM)

⚠ CAUTION

MAXON recommends replacing LH & RH platform support chains as a set. Possible harm to users or bystanders and/or equipment damage could result if chains are only replaced one at a time.



MAXON®

11921 Slauson Ave. Santa Fe Springs, CA. 90670 (800) 227-4116 FAX (888) 771-7713

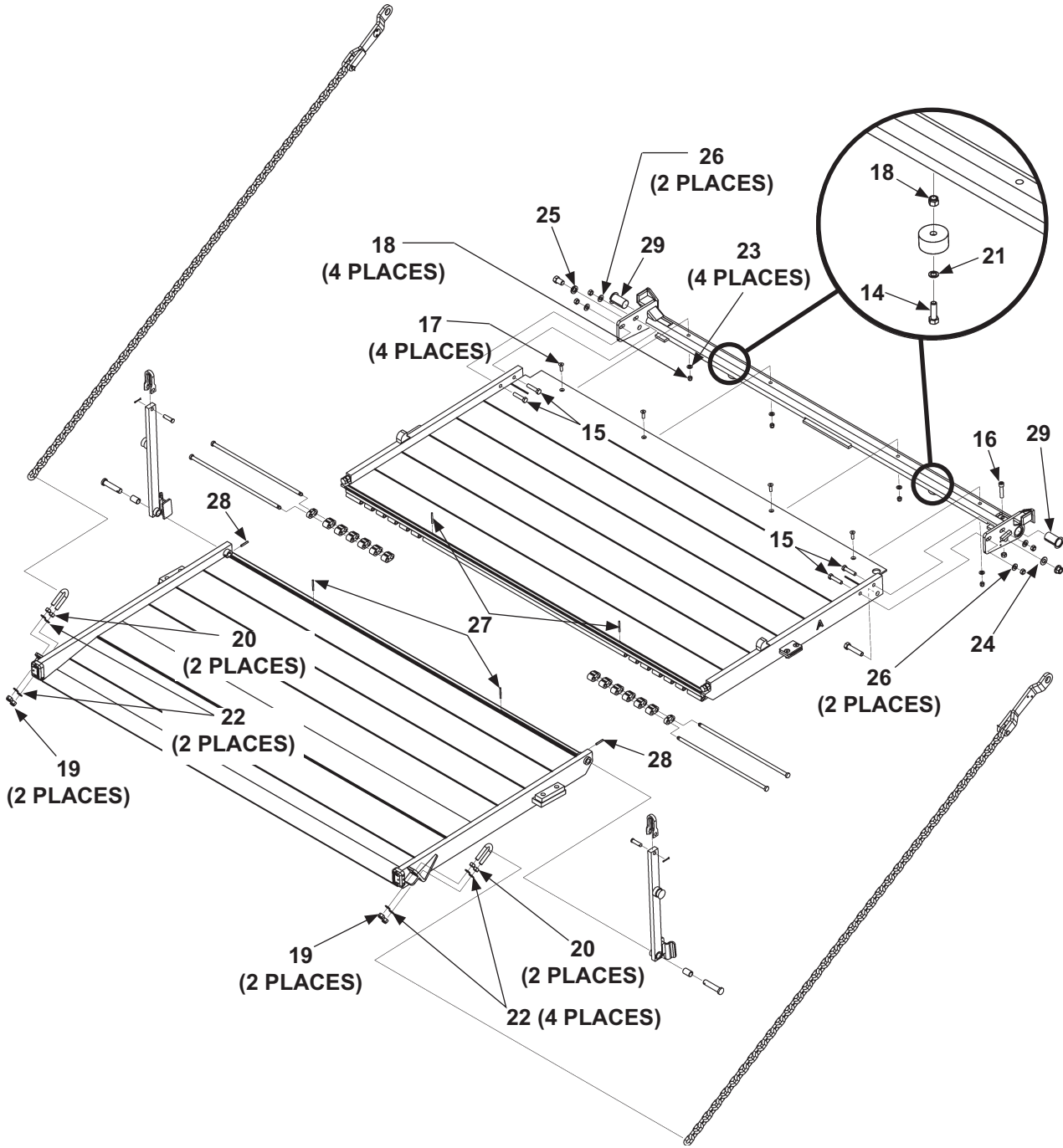
ITEM	QTY.	PART NO.	DESCRIPTION
1	5	040066	NYLON LOCK NUT, 1/2"-13
2	2	253516	RUBBER BUMPER
3	1	260181-01	BOLT, 3/4"-10 X 1-1/8" LG.
4	1	900055-14	HEX HEAD SCREW, 5/8"-11 X 4-1/2" LG.
5	1	269222-01G	OPENER ASSEMBLY LH (GALVANIZED), 30" + 30" *
		269222-03G	OPENER ASSEMBLY LH (GALVANIZED), 36" + 36" *
		269222-05G	OPENER ASSEMBLY LH (GALVANIZED), 42" + 42" *
5A	1	905136-01	CLEVIS PIN, 1/2" X 1-7/8" LG, GRADE 8
5B	1	030805	COTTER PIN, 1/8" X 1" LG.
5C	1	280644-01	ANCHOR SHACKLE
5D	1	260917-05	BEARING, SELF LUBE, 3/4" DIA. X 1-3/8" LG.
6	1	269222-02G	OPENER ASSEMBLY RH (GALVANIZED), 30" + 30" *
		269222-04G	OPENER ASSEMBLY RH (GALVANIZED), 36" + 36" *
		269222-06G	OPENER ASSEMBLY RH (GALVANIZED), 42" + 42" *
6A	1	905136-01	CLEVIS PIN, 1/2" X 1-7/8" LG, GRADE 8
6B	1	030805	COTTER PIN, 1/8" X 1" LG.
6C	1	280644-01	ANCHOR SHACKLE
6D	1	260917-05	BEARING, SELF LUBE, 3/4" DIA. X 1-3/8" LG.
7	2	280195	PIN
8	4	282366-01	HINGE PIN
9	1	282621-04	CONNECTOR BAR WELDMENT 96" (GALVANIZED)
		282621-03	CONNECTOR BAR WELDMENT 102" (GALVANIZED)
10	2	282854-01	U-BOLT
11	12	311046-10	LINK SPACER, 1" LG.
12	2	311046-11	LINK SPACER, 1/2" LG.
13	1	903136-05	FLANGE LOCK NUT, 5/8"-11

* PLATFORM + FLIPOVER DEPTH

PLATFORM, FLIPOVER, AND CHAIN ASSEMBLY - 2 (ALUMINUM) - Continued

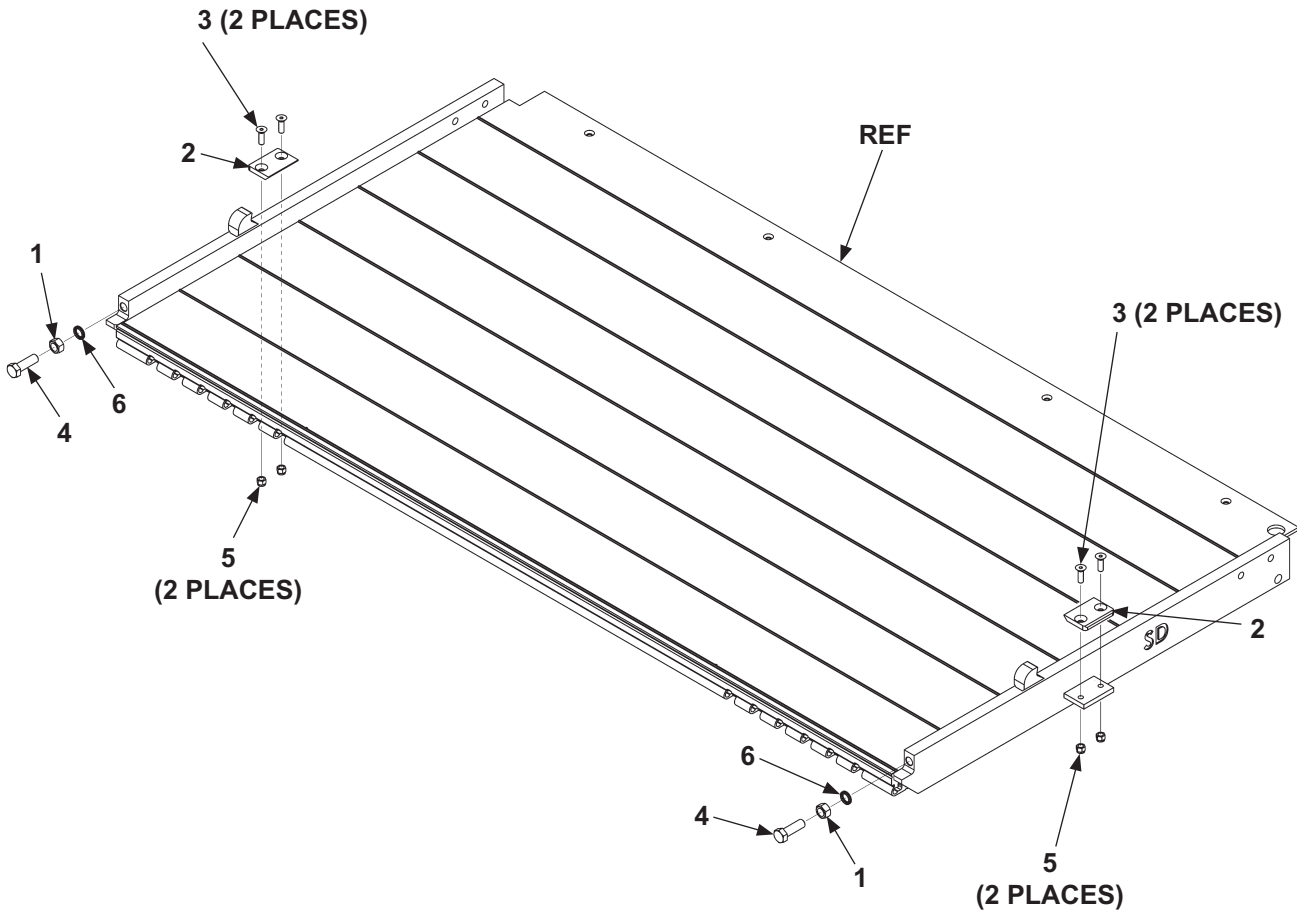
MAXON[®]

11921 Slauson Ave. Santa Fe Springs, CA. 90670 (800) 227-4116 FAX (888) 771-7713



ITEM	QTY.	PART NO.	DESCRIPTION
14	2	900014-5	HEX HEAD BOLT, 3/8"-16 X 1-1/4" LG, GRADE 8
15	4	900035-6	HEX HEAD CAP SCREW, 1/2"-13 X 2-1/4" LG, GRADE 8
16	1	900036-10	SOCKET SCREW, 1/2"-13 X 2-1/4" LG, GRADE 8
17	4	900040-5	FLAT HEAD SOCKET SCREW, 3/8"-16 X 1-1/4"
18	6	901002	NYLON NUT, 3/8"-16
19	4	901010	NYLON LOCK NUT, 1/2"-13
20	4	901011-9	NUT, 1/2"-13
21	2	902000-10	FLAT WASHER, 3/8"
22	8	902000-14	FLAT WASHER, 1/2"
23	4	902001-2	FLAT WASHER, 3/8"
24	1	902013-15	FLAT WASHER, 5/8"
25	1	902011-9	LOCK WASHER, 3/4"
26	4	902013-13	FLAT WASHER, 1/2"
27	4	904719-17	ROLL PIN, 3/16" X 2" LG.
28	2	905033-1	ROLL PIN, 1/4" X 1-1/2" LG.
29	2	905200	BEARING, SELF LUBE, 2-1/4" I.D. X 2-1/2" LG.

PLATFORM ASSEMBLY (ALUMINUM)



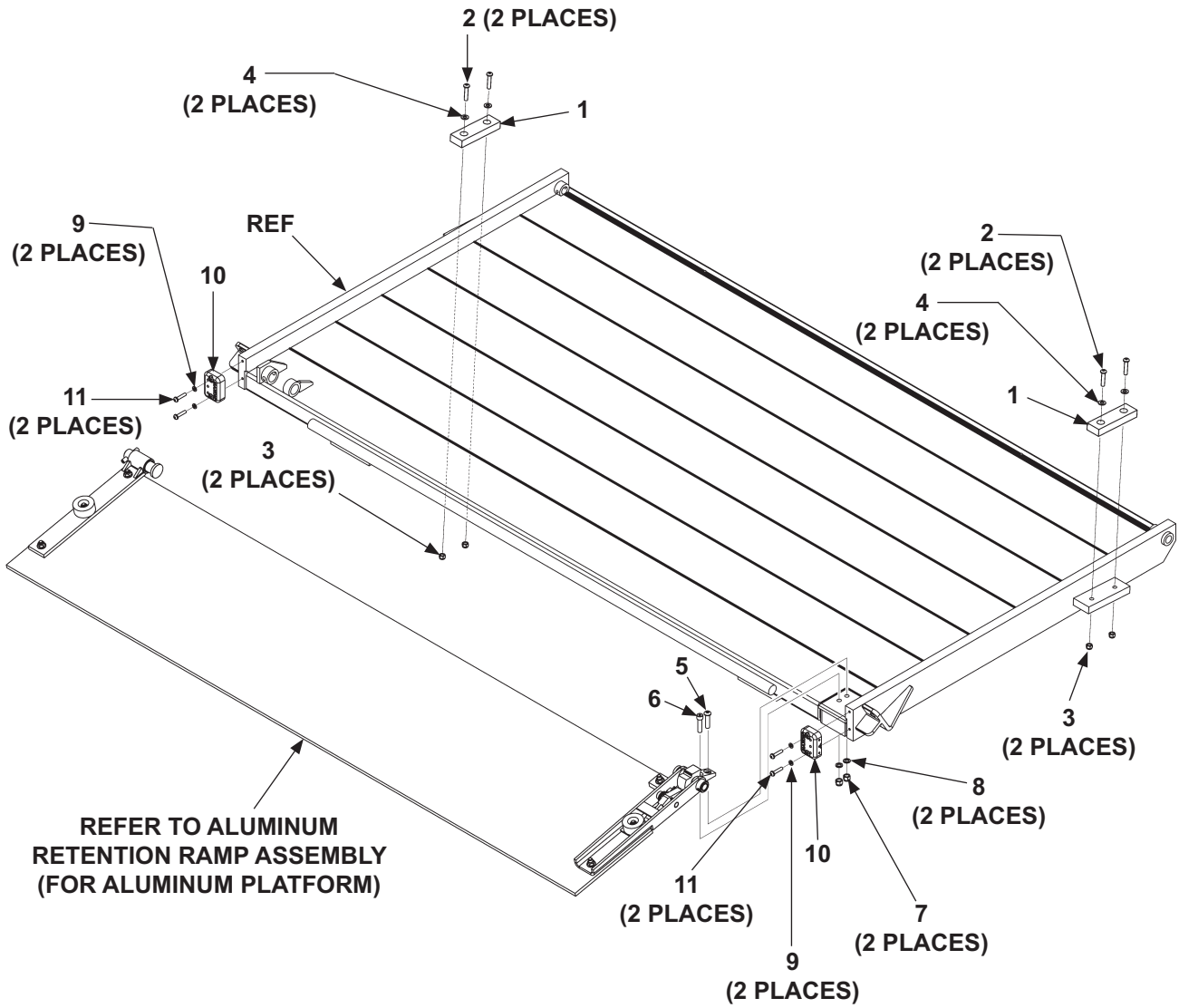
ITEM	QTY.	PART NO.	DESCRIPTION
REF	1	284579-03	PLATFORM, 96" WIDE VEHICLE
		284579-13	PLATFORM, 102" WIDE VEHICLE
1	2	030334	NUT 5/8"-18
2	2	280027	BRACKET
3	4	900040-5	FLAT HEAD SOCKET SCREW, 3/8"-16 X 1-1/4" LG.
4	2	900761-04	HEX HEAD SCREW, 5/8"-18
5	4	901002	LOCK NUT, 3/8"-16
6	2	903435-09	LOCK WASHER, 5/8"

MAXON[®]

11921 Slauson Ave. Santa Fe Springs, CA. 90670 (800) 227-4116 FAX (888) 771-7713

THIS PAGE INTENTIONALLY LEFT BLANK

FLIPOVER ASSEMBLY (ALUMINUM)



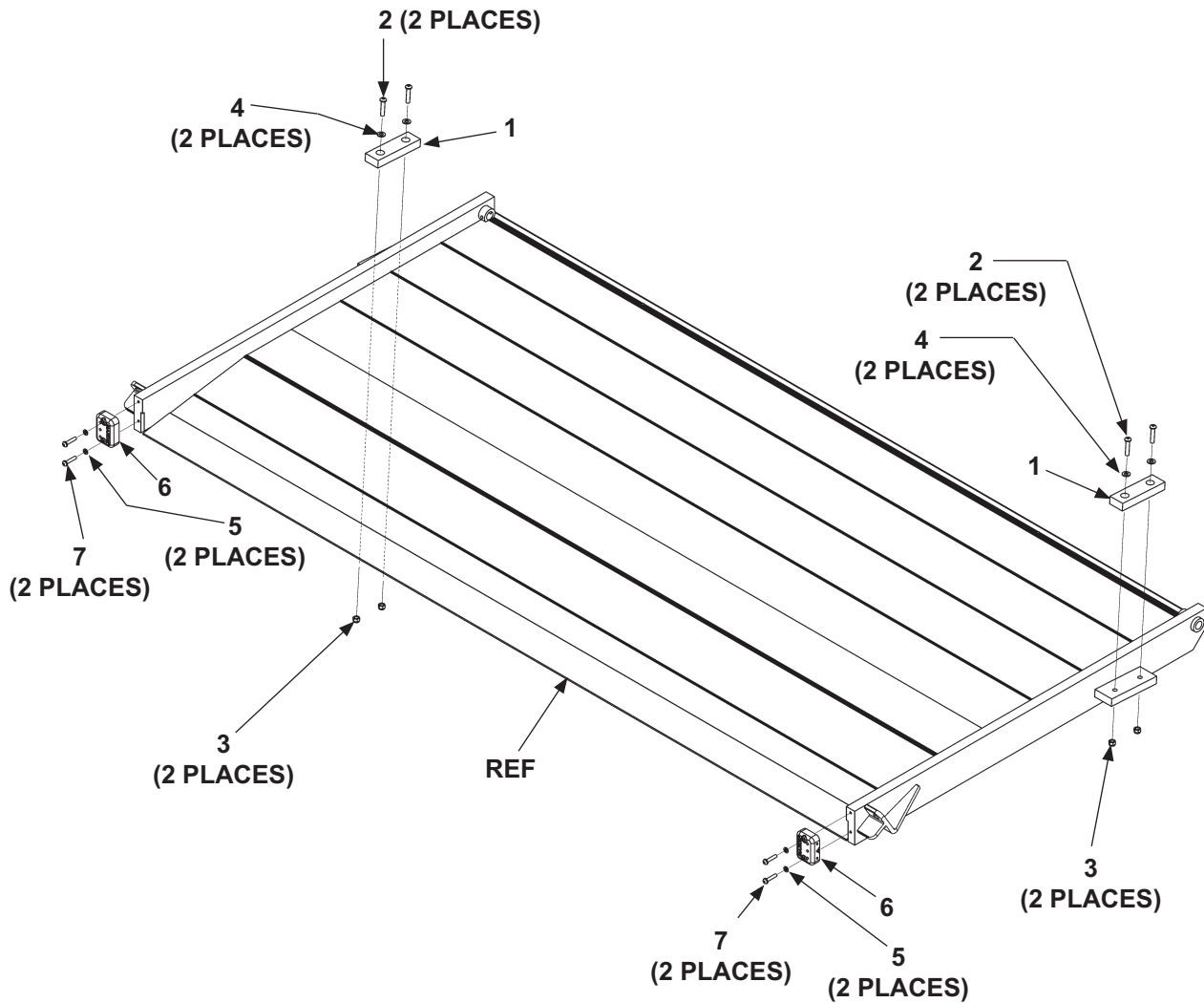
MAXON

11921 Slauson Ave. Santa Fe Springs, CA. 90670 (800) 227-4116 FAX (888) 771-7713

ITEM	QTY.	DESCRIPTION	PART NO.		
			30" DEEP	36" DEEP	42" DEEP
REF	1	FLIPOVER, 96" WIDE VEHICLE	284879-01	284879-02	284879-03
		FLIPOVER, 102" WIDE VEHICLE	284879-04	284879-05	284879-06
1	2	BUMPER	225278-02		
2	4	BUTTON SCREW, 5/16"-18 X 1-1/2" LG.	900001-5		
3	4	LOCK NUT, 5/16"-18	901001		
4	4	FLAT WASHER, 5/16"	902013-10		
5	1	BUTTON HEAD SCREW, 3/8"-16 X 1-1/2" LG, GRADE 8	900064-13		
6	1	SOCKET HEAD SCREW, 3/8"-16 X 1-1/2" LG, GRADE 8	900065-06		
7	2	LOCK NUT, 3/8"-16	901002		
8	2	FLAT WASHER, 3/8"	902000-10		
9	4	LOCK WASHER, 1/4" X 1/16" THICK	902011-2		
10	2	FLASHING SAFETY LIGHT	907150		
11	4	BUTTON SCREW, 1/4"-20 X 1-1/4"	900719-08		

MAXON[®] 11921 Slauson Ave. Santa Fe Springs, CA. 90670 (800) 227-4116 FAX (888) 771-7713

FLIPOVER ASSEMBLY W/FIXED RAMP (ALUMINUM)



ITEM	QTY.	DESCRIPTION	PART NO.	
			36" DEEP	42" DEEP
REF	1	FLIPOVER, 96" WIDE VEHICLE	282870-01	282870-03
		FLIPOVER, 102" WIDE VEHICLE	282870-02	282870-04
1	2	BUMPER	225278-02	
2	4	BUTTON SCREW, 5/16"-18 X 1-1/2" LG.	900001-5	
3	4	LOCK NUT, 5/16"-18	901001	
4	4	FLAT WASHER, 5/16"	902013-10	
5	4	LOCK WASHER, 1/4" X 1/16" THICK	902011-2	
6	2	FLASHING SAFETY LIGHT	907150	
7	4	BUTTON SCREW, 1/4"-20 X 1-1/4"	900719-08	

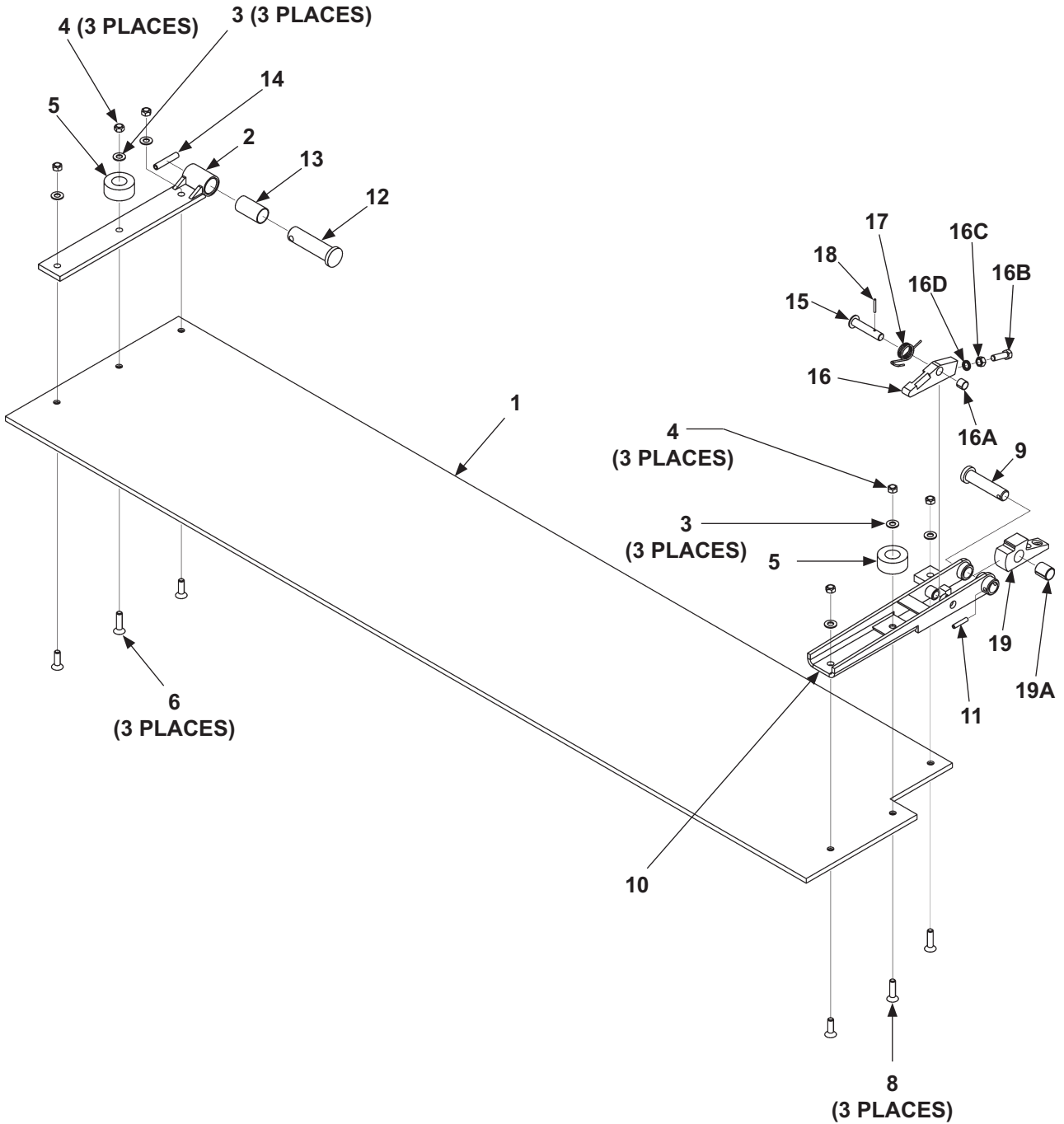
MAXON®

11921 Slauson Ave. Santa Fe Springs, CA. 90670 (800) 227-4116 FAX (888) 771-7713

THIS PAGE INTENTIONALLY LEFT BLANK

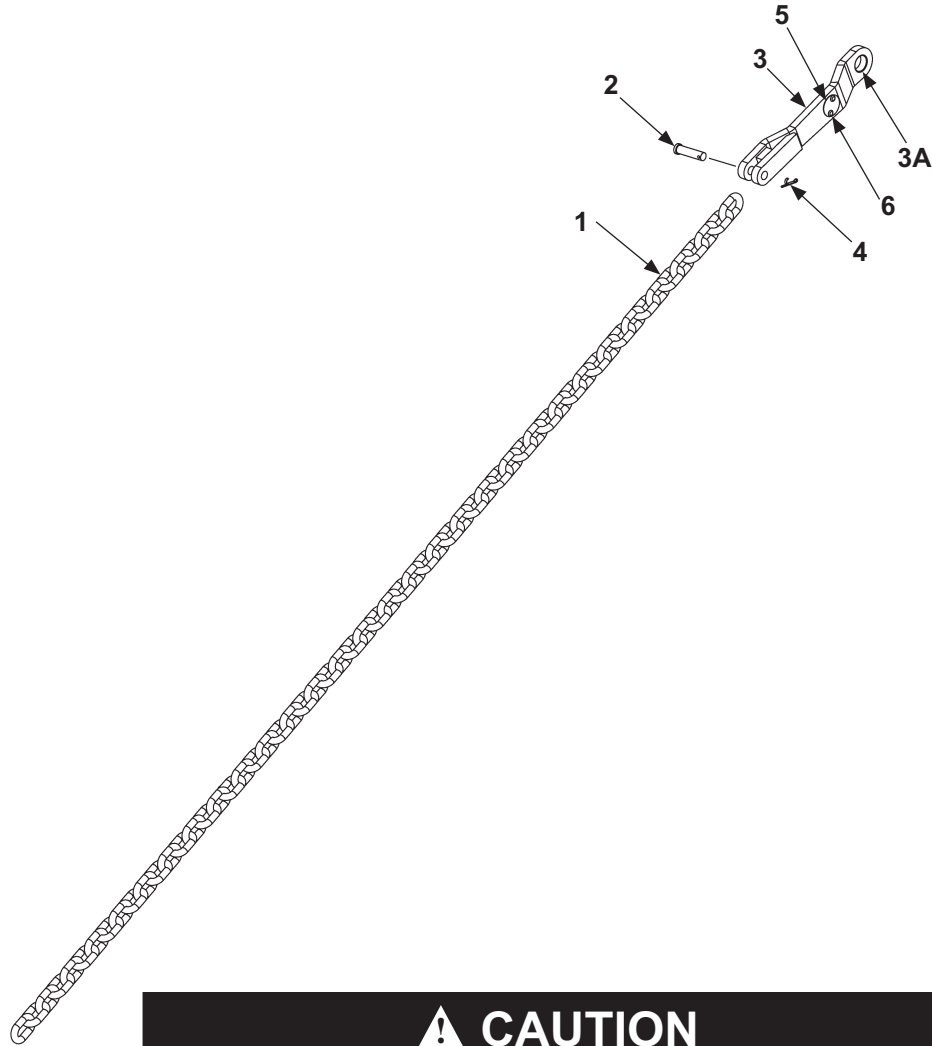
ALUMINUM RETENTION RAMP ASSEMBLY (FOR ALUMINUM PLATFORM)

MAXON® 11921 Slauson Ave. Santa Fe Springs, CA. 90670 (800) 227-4116 FAX (888) 771-7713



ITEM	QTY.	PART NO.	DESCRIPTION
REF	1	285503-96	AL RET. RAMP ASSEMBLY, 16" (96" WIDE VEH) (GALVANIZED)
		285503-102	AL RET. RAMP ASSEMBLY, 16" (102" WIDE VEH) (GALVANIZED)
1	1	264697-06	ALUMINUM RAMP 16" X 74" LG. (96" WIDE VEH)
		264697-07	ALUMINUM RAMP 16" X 80" LG. (102" WIDE VEH)
2	1	253526-01	HINGE ASSEMBLY, LH (GALVANIZED)
3	6	902001-2	FLAT WASHER, 3/8"
4	6	030955	NYLON LOCK NUT, 3/8"-16
5	2	905363-01	RUBBER BUMPER
6	3	900040-5	SCREW, FLAT SOCKET HEAD, 3/8"-16" X 1-1/4" LG.
8	3	900040-6	SCREW, FLAT SOCKET HEAD, 3/8"-16 X 1-1/2" LG.
9	1	264586	PIN WELDMENT
10	1	269555-01	HINGE ASSEMBLY, RH (GALVANIZED)
11	1	905033-2	ROLL PIN, 1/4" X 1-1/4" LG.
12	1	253528	PIN WELDMENT
13	1	253541	BEARING, SELF LUBE, 1" DIA. X 2" LG.
14	1	904717-06	ROLL PIN, 3/8" X 2" LG.
15	1	264577	PIN WELDMENT, 1/2" LG.
16	1	269553-01	LOCKING ARM ASSEMBLY
16A	1	253542	BEARING, SELF LUBE, 1/2" DIA. X 1/2" LG.
16B	1	030035	BOLT, 3/8"-24 X 1-1/4" GRADE 8
16C	1	901011-6	HEX NUT, 3/8"-24
16D	1	903435-06	NORD-LOCK WASHER, 3/8"- M10
17	1	264638	TORSION SPRING, LH
18	1	030406	ROLL PIN, 1/8" X 1" LG.
19	1	264639	LOCKING CAM
19A	1	260917-06	BEARING, SELF LUBE, 3/4" DIA. X 1" LG.

LH CHAIN ASSEMBLY (FOR ALUMINUM PLATFORM)



⚠ CAUTION

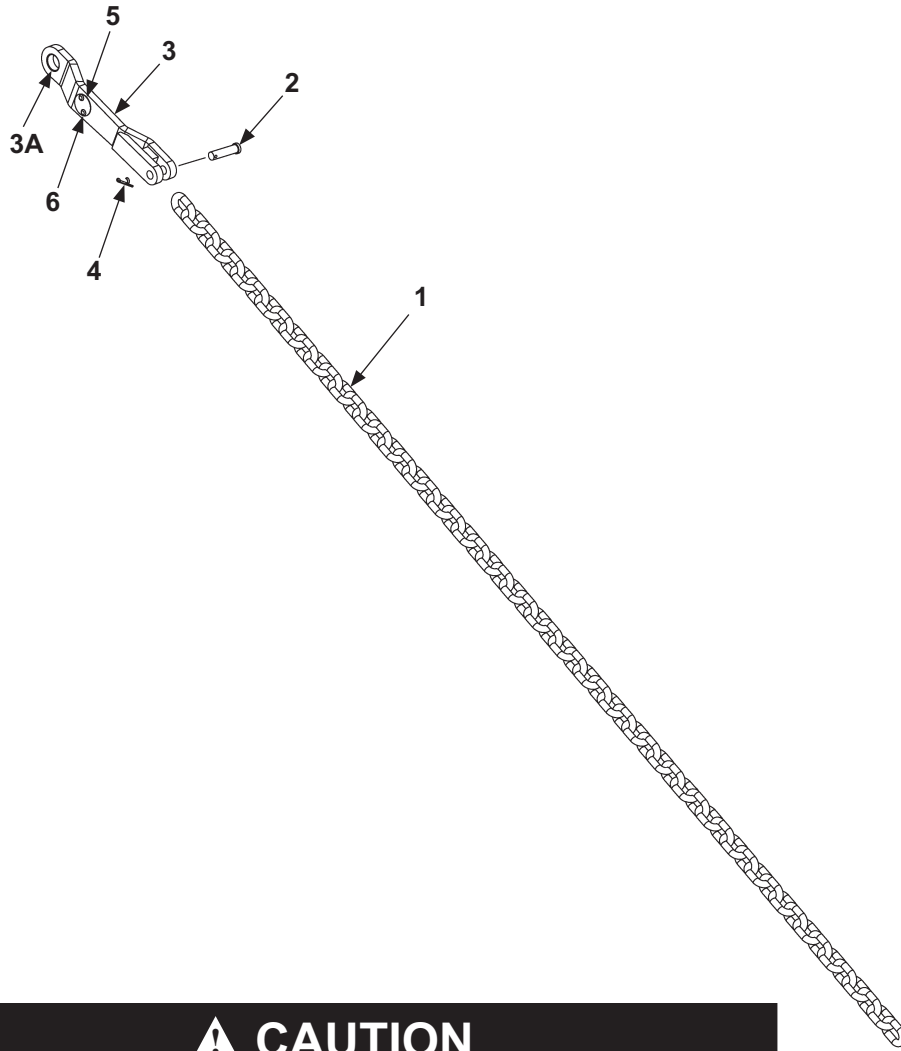
MAXON recommends replacing LH & RH platform support chains as a set. Possible harm to users or bystanders and/or equipment damage could result if chains are only replaced one at a time.

ITEM	QTY.	PART NO.	DESCRIPTION
REF	1	282867-03	CHAIN ASSEMBLY LH
1	1	282866-02	CHAIN
2	1	905136-01	CLEVIS PIN, 1/2" X 1-7/8" LG.
3	1	280505-01	TEAR DROP ASSEMBLY, LH
3A	1	260078	BEARING, SELF-LUBE
4	1	030177	COTTER PIN, 1/8" X 1-1/2" LG.
5	1	REF	KEEP HANDS CLEAR (PLATE) (SEE DECAL SEC)
6	2	REF	POP RIVET, 3/16" X 7/16" LG.

MAXON[®]

11921 Slauson Ave. Santa Fe Springs, CA. 90670 (800) 227-4116 FAX (888) 771-7713

RH CHAIN ASSEMBLY (FOR ALUMINUM PLATFORM)



⚠ CAUTION

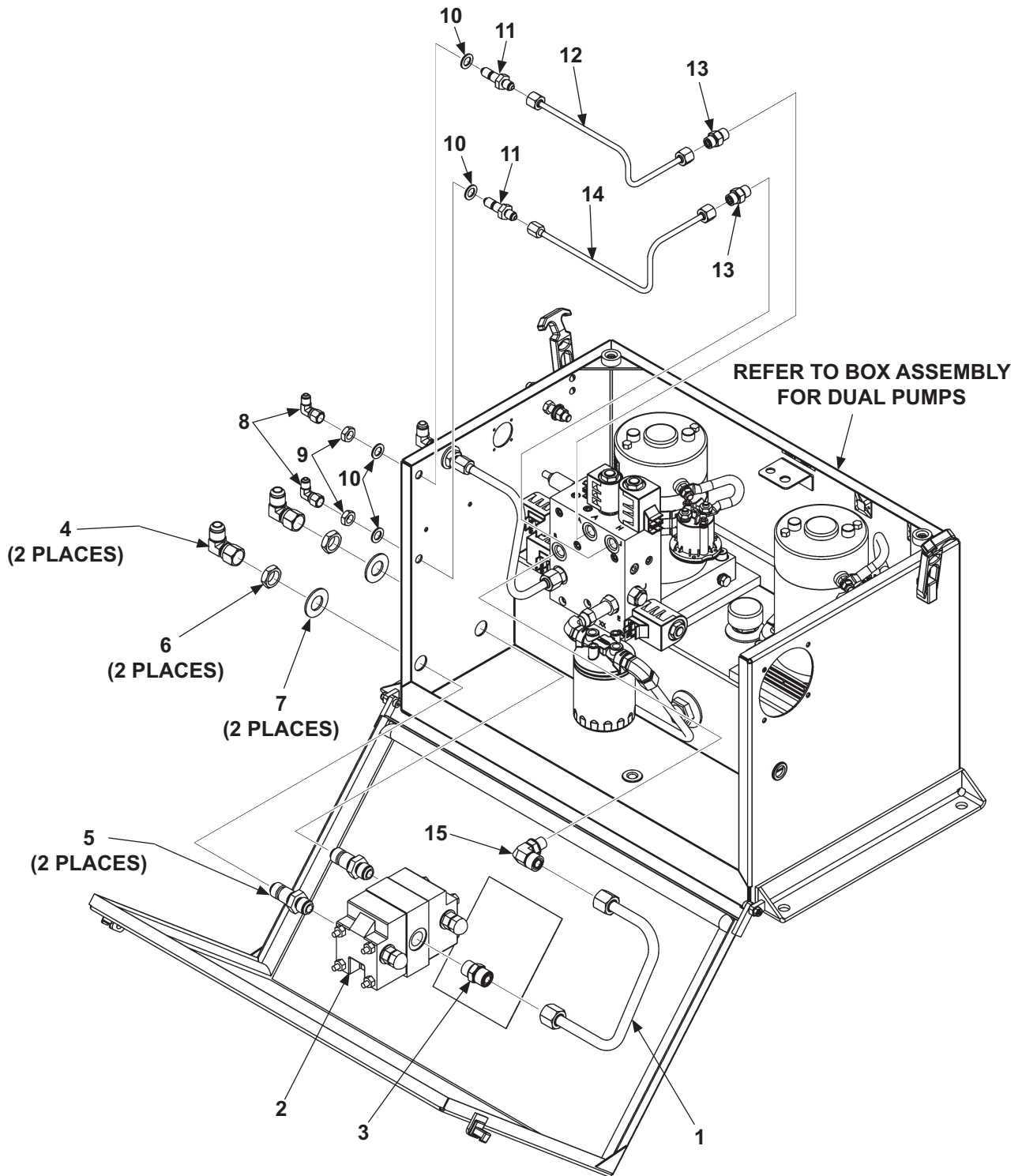
MAXON recommends replacing LH & RH platform support chains as a set. Possible harm to users or bystanders and/or equipment damage could result if chains are only replaced one at a time.

ITEM	QTY.	PART NO.	DESCRIPTION
REF	1	282867-04	CHAIN ASSEMBLY RH
1	1	282866-02	CHAIN
2	1	905136-01	CLEVIS PIN, 1/2" X 1-7/8" LG.
3	1	280505-02	TEAR DROP ASSEMBLY, RH
3A	1	260078	BEARING, SELF-LUBE
4	1	030177	COTTER PIN, 1/8" X 1-1/2"
5	1	REF	KEEP HANDS CLEAR (PLATE) (SEE DECAL SEC)
6	2	REF	POP RIVET, 3/16" X 7/16" LG.

HYDRAULIC COMPONENTS SECTION

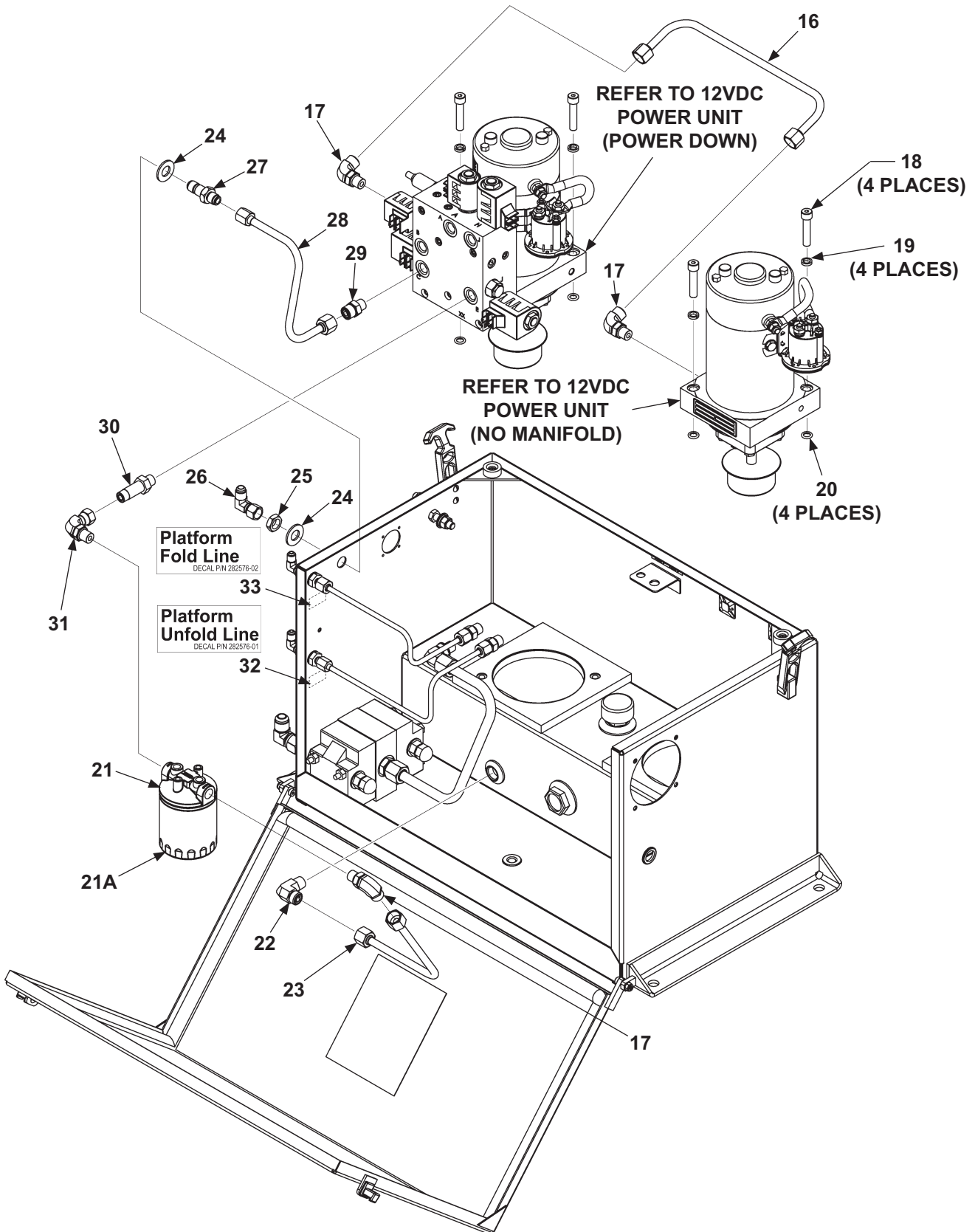
DUAL PUMP ASSEMBLY

MAXON[®] 11921 Slauson Ave. Santa Fe Springs, CA. 90670 (800) 227-4116 FAX (888) 771-7713



ITEM	QTY.	PART NO.	DESCRIPTION
REF	-	283080-01	DUAL PUMP ASSEMBLY (BMRSD)
1	1	269047-01	POWER UP TUBE ASSEMBLY, 1/2"
2	1	253513	FLOW DIVIDER
3	1	905173-02	STRAIGHT CONNECTOR, #8
4	2	260120	ELBOW, 90°, SAE 37°, JIC#8-M & JIC#8-F
5	2	261461	UNION, BULKHEAD, SAE 37° FLARE TWIN
6	2	261462	NUT, BULKHEAD, SAE 37° FLARE TWIN
7	2	902000-20	FLAT WASHER, 3/4"
8	2	905027	ELBOW, JIC #4 M-F SW
9	2	905085	NUT, BULKHEAD, JIC#4
10	4	902000-12	FLAT WASHER, 7/16" X 1/16" THICK
11	2	905096	STRAIGHT UNION JIC#4
12	1	269070-01	POWER CLOSE TUBE ASSEMBLY, 1/4"
13	2	905179	STRAIGHT CONNECTOR, F/S #4 O-RING #6 M-M
14	1	269049-01	POWER OPEN TUBE ASSEMBLY, 1/4"
15	1	905158	STRAIGHT ELBOW, F/S #8 O-RING #6 M-M

DUAL PUMP ASSEMBLY - Continued

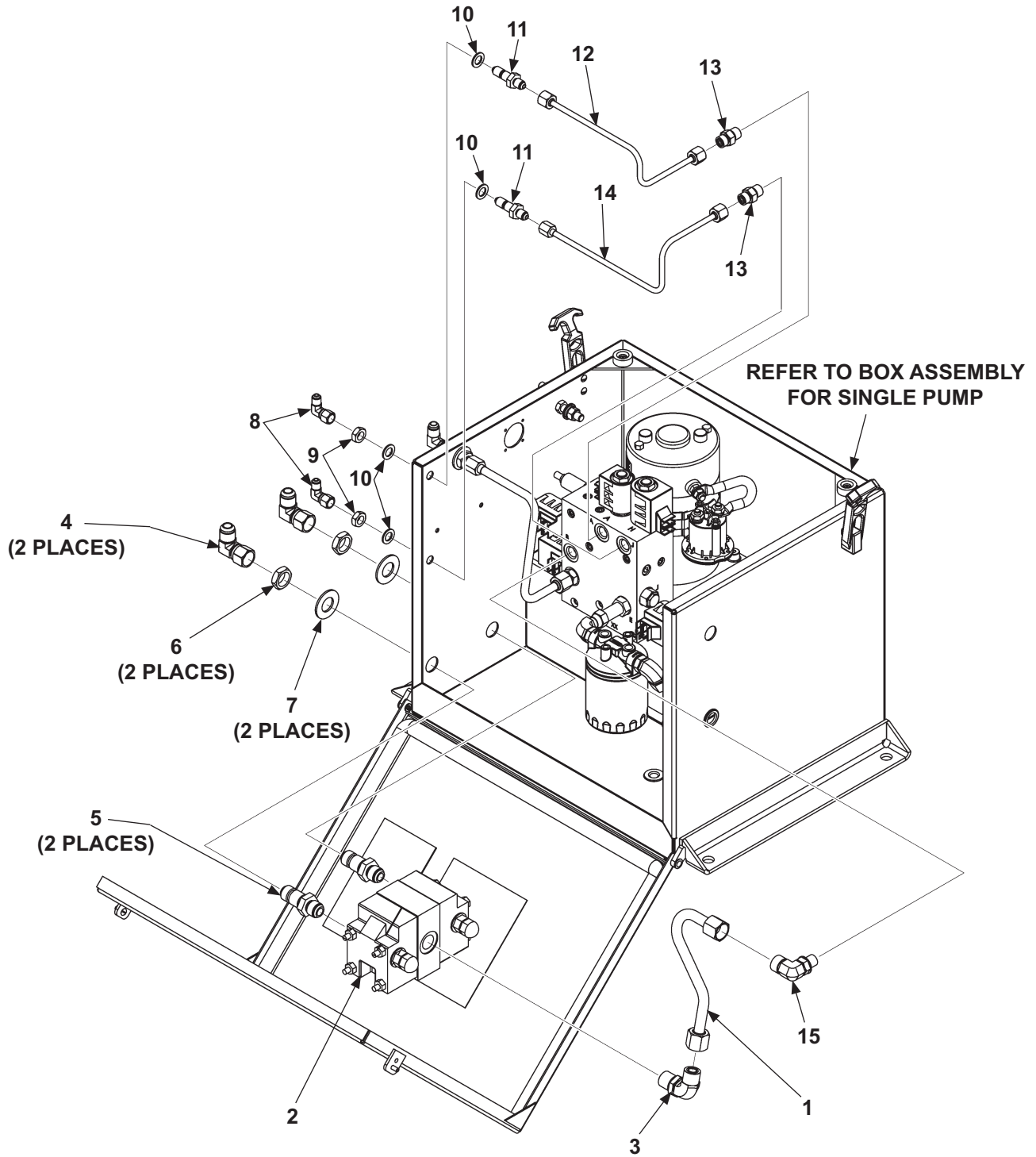


MAXON® 11921 Slauson Ave. Santa Fe Springs, CA. 90670 (800) 227-4116 FAX (888) 771-7713

ITEM	QTY.	PART NO.	DESCRIPTION
16	1	269044-01	PUMP TO PUMP TUBE ASSEMBLY, 3/8"
17	3	906707-01	ELBOW, NPSC, SAE #6 F/S O-RING M-M
18	4	263951	CAP SCREW, 3/8"-16 X 1-3/4" LG.
19	4	263952	LOCK WASHER, 3/8"
20	4	908025-01	O-RING
21	1	268835-01	SPIN-ON OIL FILTER (HEAD & CARTRIDGE)
21A	1	262412	FILTER (SPIN-ON CARTRIDGE)
22	1	906735-01	ELBOW, #6 M O-RING, 3/8" M NPT
23	1	269046-01	OIL FILTER TUBE ASSEMBLY, 3/8"
24	2	902013-14	FLAT WASHER, 9/16"
25	1	905086	NUT, BULKHEAD JIC#6
26	1	905154	ELBOW, 90°, SAE 37°, JIC #6 M-F
27	1	905100	STRAIGHT UNION JIC#6
28	1	269050-01	POWER DOWN TUBE ASSEMBLY, 3/8"
29	1	905173	STRAIGHT CONNECTOR, #6
30	1	906705-01	LONG CONNECTOR, NPSC SAE #6
31	1	906708-01	ELBOW, NPSC, SAE #6 O-RING M-F SWIVEL
32	1	282576-01	DECAL, UNFOLD
33	1	282576-02	DECAL, FOLD

SINGLE PUMP ASSEMBLY

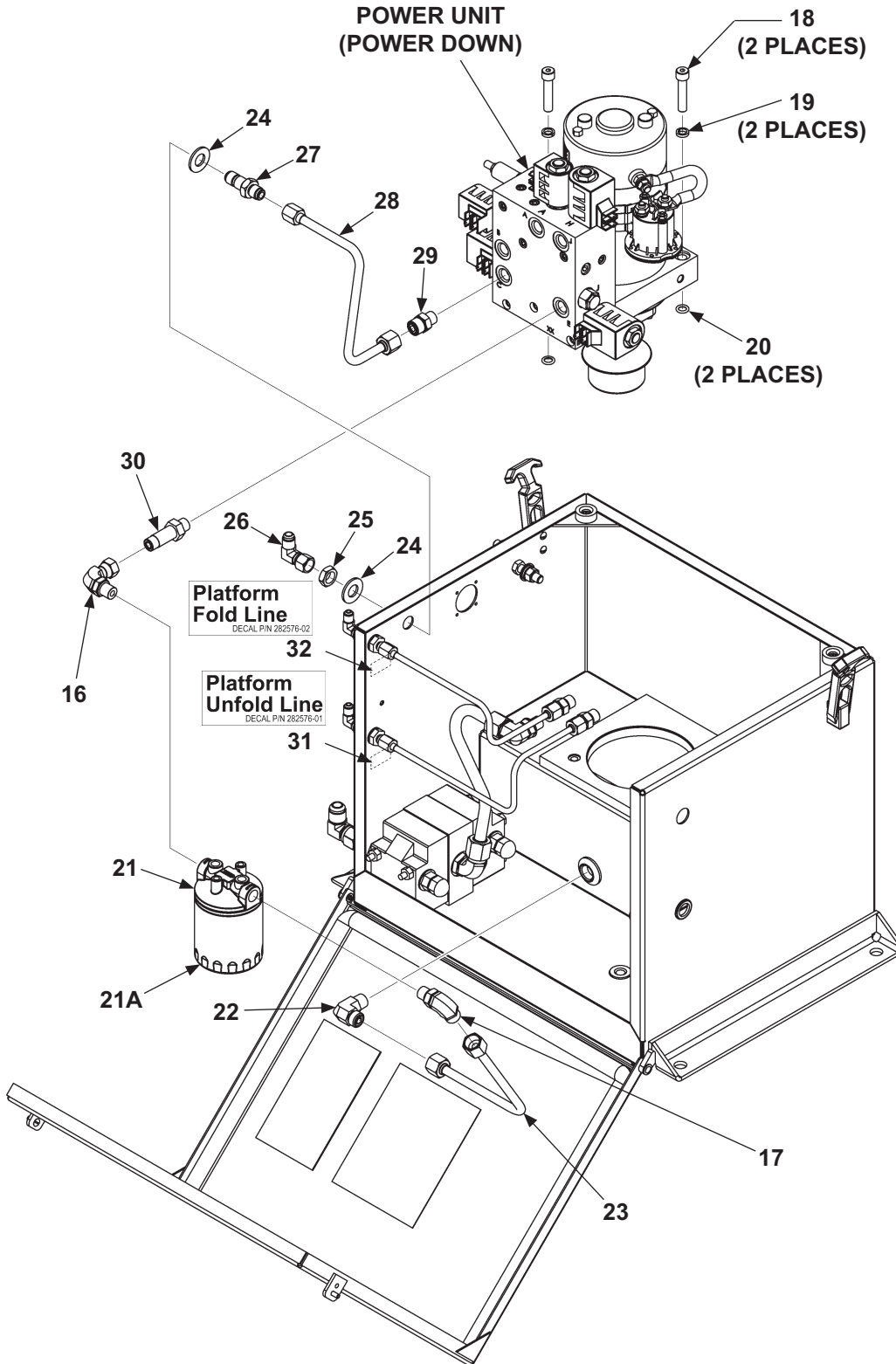
MAXON® 11921 Slauson Ave. Santa Fe Springs, CA. 90670 (800) 227-4116 FAX (888) 771-7713



ITEM	QTY.	PART NO.	DESCRIPTION
REF	-	283080-01	DUAL PUMP ASSEMBLY (BMRS D)
1	1	269384-01	POWER UP TUBE ASSEMBLY, 1/2"
2	1	253513	FLOW DIVIDER
3	1	906704-01	ELBOW, NPSC, SAE #8 F/S O-RING M-M
4	2	260120	ELBOW, 90°, SAE 37°, JIC#8-M & JIC#8-F
5	2	261461	UNION, BULKHEAD, SAE 37° FLARE TWIN
6	2	261462	NUT, BULKHEAD, SAE 37° FLARE TWIN
7	2	902000-20	FLAT WASHER, 3/4"
8	2	905027	ELBOW, JIC #4 M-F SW
9	2	905085	NUT, BULKHEAD, JIC#4
10	4	902000-12	FLAT WASHER, 7/16" X 1/16" THICK
11	2	905096	STRAIGHT UNION JIC#4
12	1	269381-01	POWER CLOSE TUBE ASSEMBLY, 1/4"
13	2	905179	STRAIGHT CONNECTOR, F/S #4 O-RING #6 M-M
14	1	269382-01	POWER OPEN TUBE ASSEMBLY, 1/4"
15	1	905158	STRAIGHT ELBOW, F/S #8 O-RING #6 M-M

SINGLE PUMP ASSEMBLY - Continued

REFER TO 12VDC
POWER UNIT
(POWER DOWN)



MAXON

11921 Slauson Ave. Santa Fe Springs, CA. 90670 (800) 227-4116 FAX (888) 771-7713

ITEM	QTY.	PART NO.	DESCRIPTION
16	1	906708-01	ELBOW, NPSC, SAE #6 O-RING M-F SWIVEL
17	1	906707-01	ELBOW, NPSC, SAE #6 F/S O-RING M-M
18	4	263951	CAP SCREW, 3/8"-16 X 1-3/4" LG.
19	4	263952	LOCK WASHER, 3/8"
20	4	908025-01	O-RING
21	1	268835-01	SPIN-ON OIL FILTER (HEAD & CARTRIDGE)
21A	1	262412	FILTER (SPIN-ON CARTRIDGE)
22	1	906735-01	ELBOW, #6 M O-RING, 3/8" M NPT
23	1	269385-01	OIL FILTER TUBE ASSEMBLY, 3/8"
24	2	902010	FLAT WASHER, 19/32"
25	1	905086	NUT, BULKHEAD JIC#6
26	1	905154	ELBOW, 90°, SAE 37°, JIC #6 M-F
27	1	905100	STRAIGHT UNION JIC#6
28	1	269383-01	POWER DOWN TUBE ASSEMBLY, 3/8"
29	1	905173	STRAIGHT CONNECTOR, #6
30	1	906705-01	LONG CONNECTOR, NPSC SAE #6
31	1	282576-01	DECAL, UNFOLD
32	1	282576-02	DECAL, FOLD

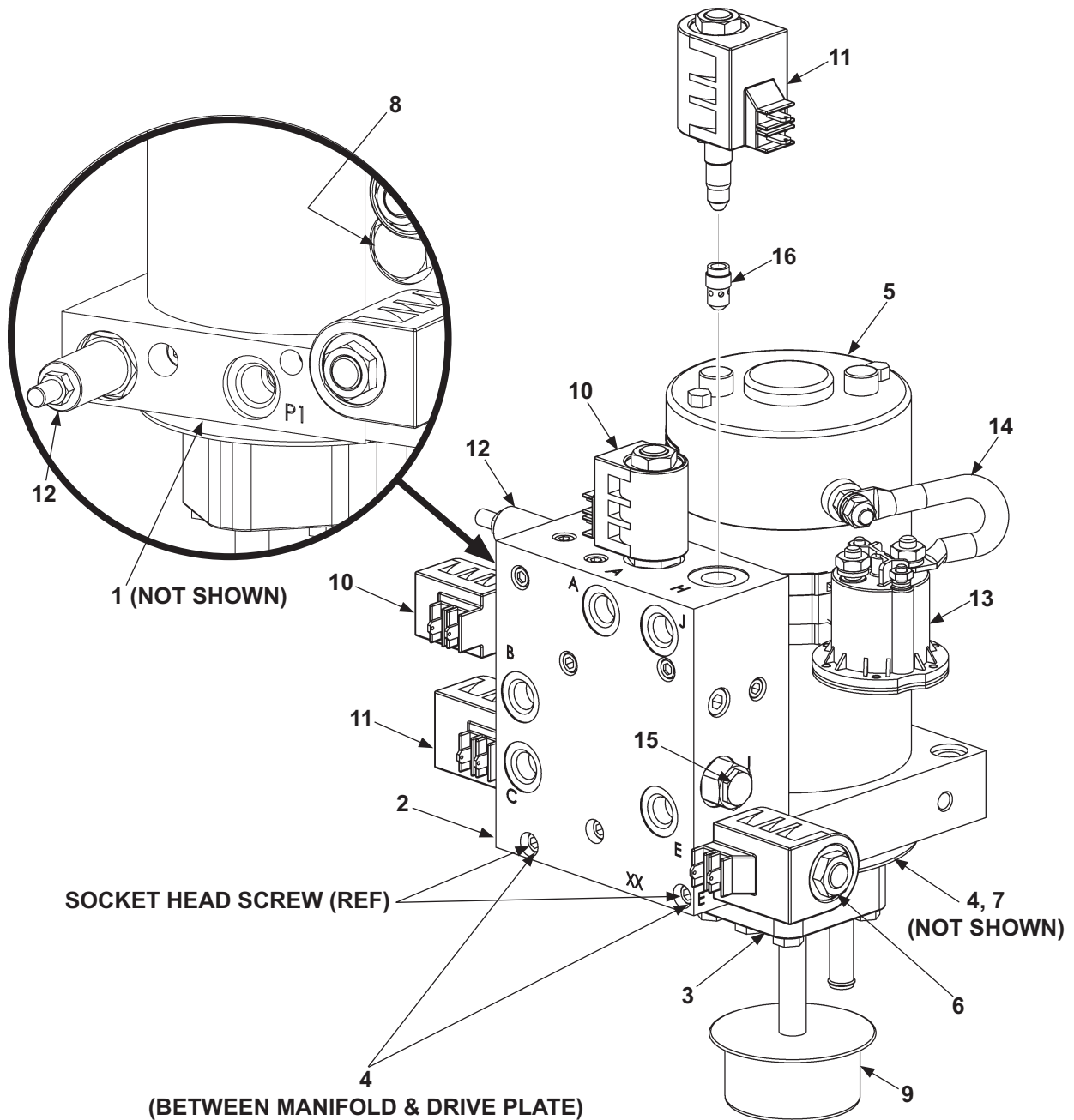
12 VDC POWER UNIT

CAUTION

To prevent damage to metal case starter solenoid, hold bottom terminal nut securely when loosening and tightening top terminal nut. Do not over-tighten the terminal nuts. For the 5/16" load terminals, torque nuts 35-40 lbs.-in. Torque the nuts on #10-32 control terminals 15-20 lbs.-in.

CAUTION

To prevent damage when installing 2-way valves, torque valve cartridge nut to 30 lbs.-in. max.



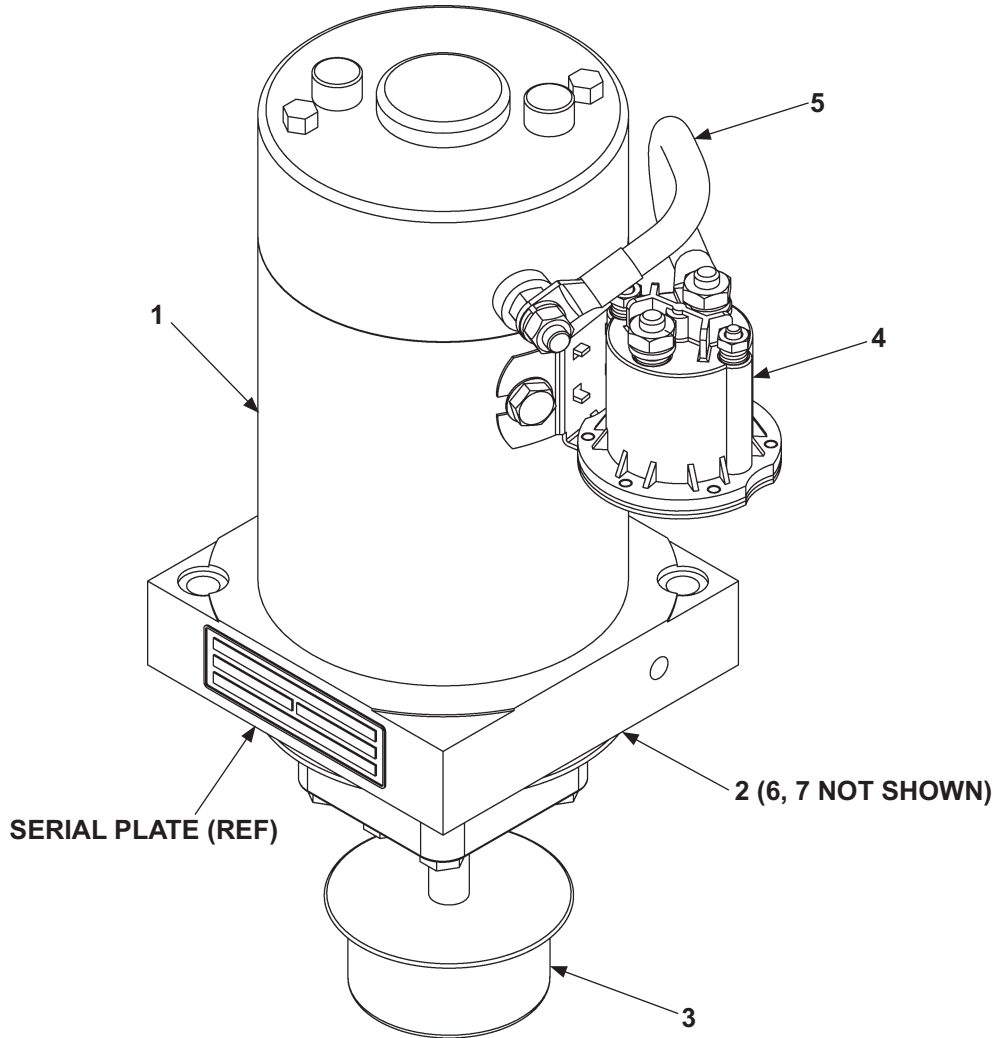
MAXON[®]

11921 Slauson Ave. Santa Fe Springs, CA. 90670 (800) 227-4116 FAX (888) 771-7713

ITEM	QTY.	PART NO.	DESCRIPTION
REF	1	283081-01	12 VDC POWER UNIT
1	1	260261	OIL SEAL, PUMP (NOT SHOWN)
2	1	283084-01	MANIFOLD ASSEMBLY
3	1	283101-01	PUMP ASSEMBLY (MODEL 204)
4	1	251884	O-RING, RESERVOIR (NOT SHOWN)
5	1	268337-01	MOTOR, 12 VDC, H.D.
6	1	290019	VALVE, 2 POS-3 WAY, WITH COIL
7	1	290020	O-RING (NOT SHOWN)
8	1	290033	CHECK VALVE
9	1	283102-01	FILTER, PUMP INLET
10	2	290043	VALVE CARTRIDGE, 2 WAY
11	2	290046	VALVE CARTRIDGE, 4 WAY
12	2	905195	RELIEF VALVE (RAISE & UNFOLD/FOLD, 2400 PSI)
13	1	284080-01	SWITCH, SOLENOID ASSEMBLY, 12VDC
14	1	280404	CABLE
15	1	906738-01	RELIEF VALVE (LOWERING, 400 PSI)
16	1	283083-01	FLOW CONTROL VALVE, 1 GPM

MAXON[®] 11921 Slauson Ave. Santa Fe Springs, CA. 90670 (800) 227-4116 FAX (888) 771-7713

12VDC POWER UNIT (PUMP 2, NO MANIFOLD)



ITEM	QTY.	PART NO.	DESCRIPTION
REF	1	283100-01	12 VDC POWER UNIT (NO MANIFOLD)
1	1	268337-01	MOTOR, 12 VDC HD
2	1	283101-01	PUMP ASSEMBLY, 204
3	1	283102-01	FILTER, PUMP INLET
4	1	284080-01	SWITCH, SOLENOID ASSEMBLY, 12VDC
5	1	280404	CABLE ASSEMBLY
6	1	260261	OIL SEAL (SHAFT SEAL, NOT SHOWN)
7	1	290020	O-RING (NOT SHOWN)

MAXON[®]

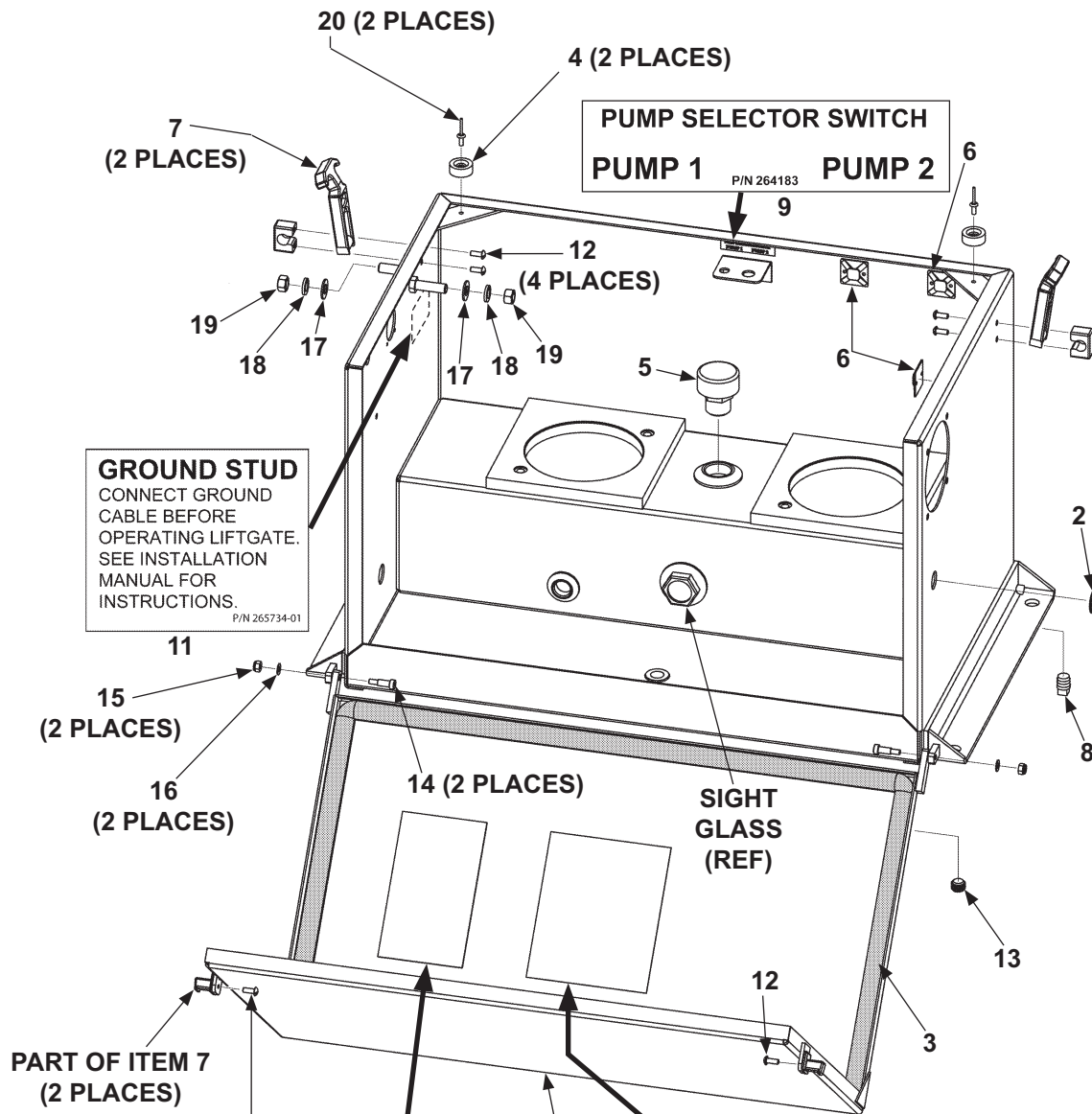
11921 Slauson Ave. Santa Fe Springs, CA. 90670 (800) 227-4116 FAX (888) 771-7713

THIS PAGE INTENTIONALLY LEFT BLANK

BOX ASSEMBLY FOR DUAL PUMPS

MAXON

11921 Slauson Ave. Santa Fe Springs, CA. 90670 (800) 227-4116 FAX (888) 771-7713



GROUND STUD
 CONNECT GROUND
 CABLE BEFORE
 OPERATING LIFTGATE.
 SEE INSTALLATION
 MANUAL FOR
 INSTRUCTIONS.
 P/N 265734-01

NOTICE

This power unit is equipped with a switch for selecting Gravity Down (GD) or Power Down (PD) operation of Liftgate.

- Select GD operation to maximize Liftgate operating time & minimize power consumption from Liftgate battery.
- Select PD for improved performance in severe cold weather.

DECAL, P/N 282893-01

CHECKING FLUID LEVEL

1. Check oil level with platform up and stowed.
2. Open pump box cover to view sight glass. If fluid is below center of sight glass, add correct grade of hydraulic fluid to bring level to center of sight glass.

HYDRAULIC FLUID

Use Exxon Unisolv HVI-13

NOTE:
 If higher viscosity or different brand required, refer to hydraulic fluid data in Maintenance Manual.

SIGHT GLASS PUMP BOX P/N 265330-04

21

10

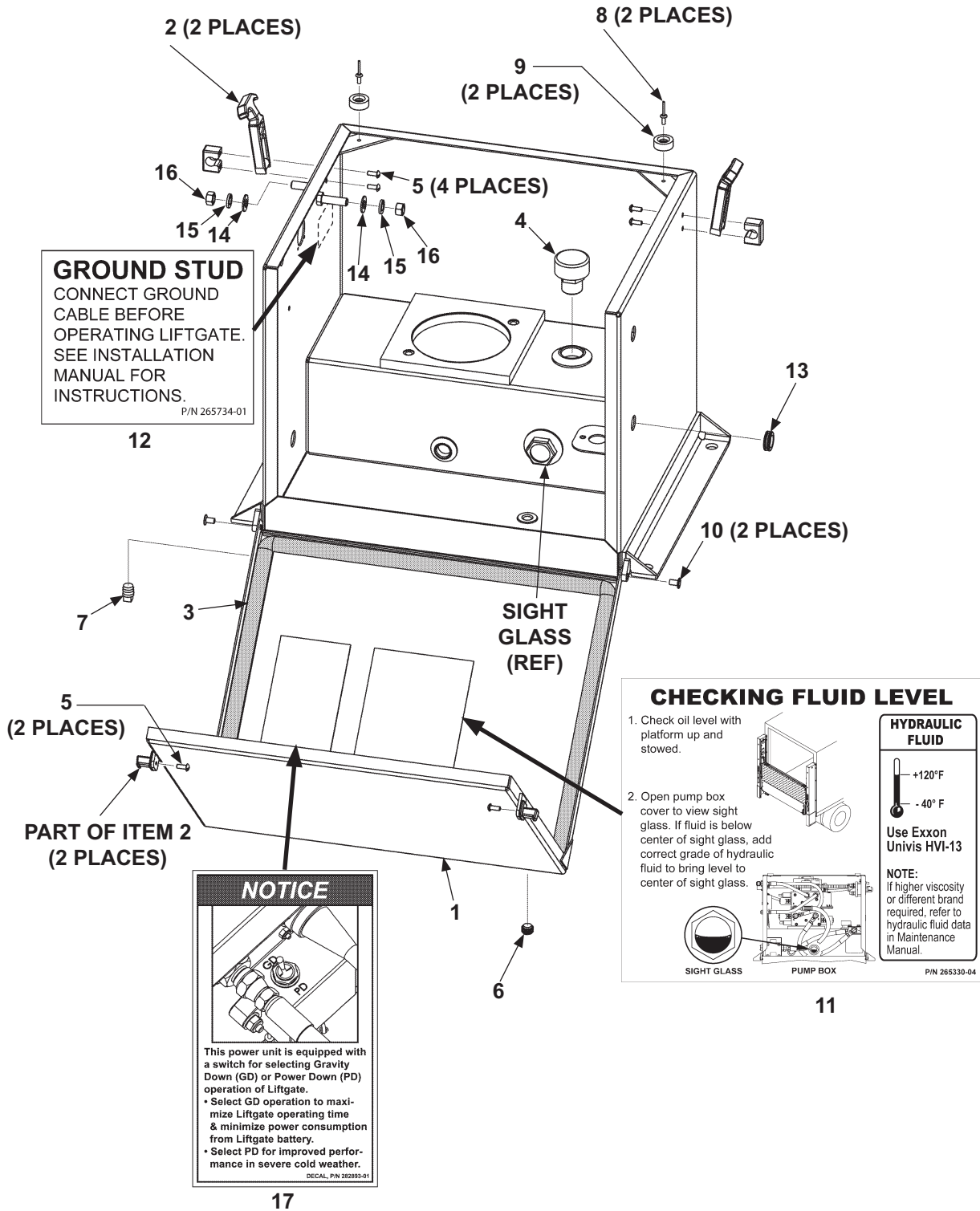
ITEM	QTY.	PART NO.	DESCRIPTION
REF	1	283085-01	BOX ASSEMBLY, DUAL PUMP (BMRSD)
1	1	268205-01	COVER WELDMENT
2	1	261416	GROMMET, 3/4"
3	1	261544-05	RUBBER SEAL, 106" LG.
4	2	262940	BUMPER, 15/16" X 3/16" X 3/8"
5	1	263369	FILLER
6	3	263527	CABLE TIE MOUNTING BASE
7	2	263791	LATCH
8	1	264271	PLUG, 1/4" (MAGNETIZED)
9	1	264183	DECAL, PUMP SELECTOR SWITCH
10	1	265330-04	DECAL, HYDRAULIC FLUID LEVEL (BMR)
11	1	265734-01	DECAL, GROUND STUD
12	6	030029	BOLT, #10-24 X 1/2" LG.
13	1	030937	HEX PLUG, 1/4"
14	2	900060-3	SHOULDER SCREW, 1/4" X 1/2" LG.
15	2	901003	NYLON NUT, #10-24
16	2	902000-5	FLAT WASHER, #10 X 1/32" THICK
17	2	902013-11	FLAT WASHER, 3/8"
18	2	902011-4	LOCK WASHER, 3/8" X 3/32" THICK
19	2	901011-5	HEX HEAD NUT, 3/8"-16
20	2	904004-3	BLIND RIVET, 3/16" X 9/16"
21	1	282893-01	DECAL, POWER DOWN ON-DEMAND

MAXON[®] 11921 Slauson Ave. Santa Fe Springs, CA. 90670 (800) 227-4116 FAX (888) 771-7713

BOX ASSEMBLY FOR SINGLE PUMP

MAXON

11921 Slauson Ave. Santa Fe Springs, CA. 90670 (800) 227-4116 FAX (888) 771-7713

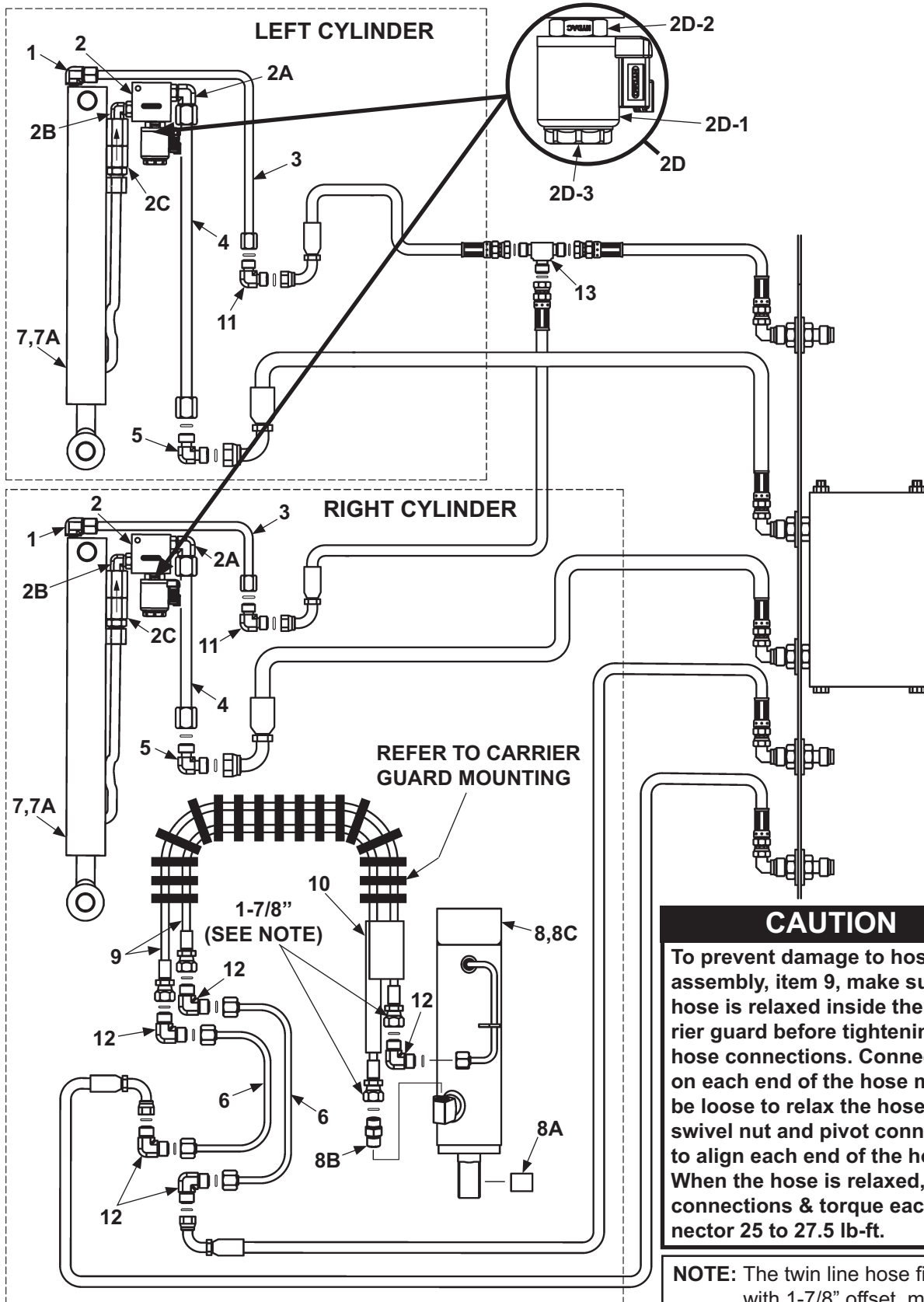


ITEM	QTY.	PART NO.	DESCRIPTION
REF	1	283065-01	BOX ASSEMBLY, SINGLE PUMP (BMRSD)
1	1	280228-100	COVER WELDMENT
2	2	263791	LATCH
3	1	261544-01	RUBBER SEAL, 100" LG.
4	1	263369	FILLER
5	6	030029	BOLT, #10-24 X 1/2" LG.
6	1	030937	HEX PLUG, 1/4"
7	1	264271	PLUG, 1/4" (MAGNETIZED)
8	2	904004-3	BLIND RIVET, 3/16" X 9/16"
9	2	262940	BUMPER, 15/16" X 3/16" X 3/8"
10	2	905213	SEMI-TUBULAR RIVET
11	1	265330-04	DECAL, HYDRAULIC FLUID LEVEL (BMR)
12	1	265734-01	DECAL, GROUND STUD
13	1	261416	GROMMET, 3/4"
14	2	902013-11	FLAT WASHER, 3/8"
15	2	902011-4	LOCK WASHER, 3/8" X 3/32" THICK
16	2	901011-5	HEX HEAD NUT, 3/8"-16
17	1	282893-01	DECAL, POWER DOWN ON-DEMAND

HYDRAULIC COMPONENTS

MAXON

11921 Slauson Ave. Santa Fe Springs, CA. 90670 (800) 227-4116 FAX (888) 771-7713



CAUTION

To prevent damage to hose assembly, item 9, make sure hose is relaxed inside the carrier guard before tightening hose connections. Connectors on each end of the hose must be loose to relax the hose. Hold swivel nut and pivot connector to align each end of the hose. When the hose is relaxed, make connections & torque each connector 25 to 27.5 lb-ft.

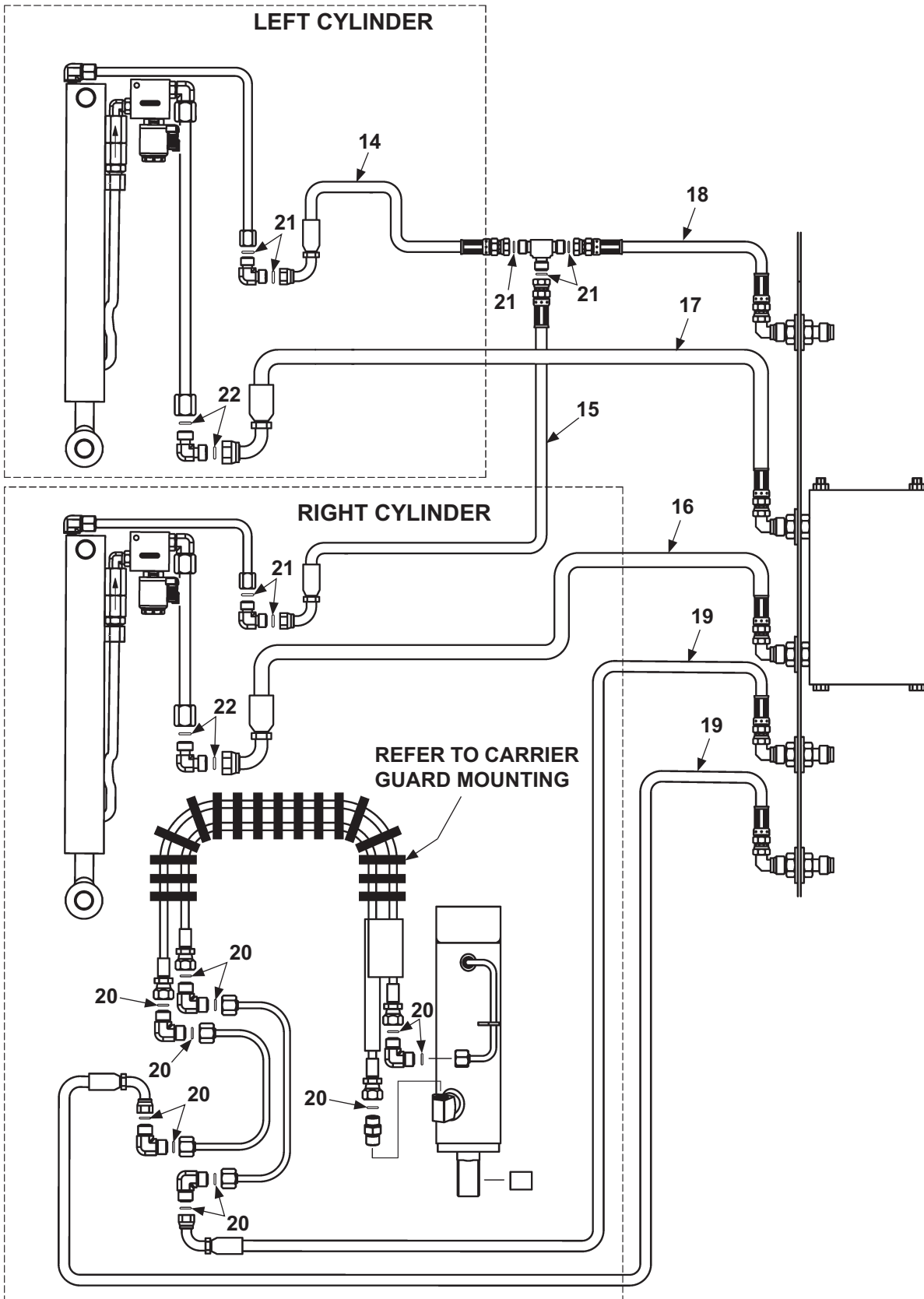
NOTE: The twin line hose fittings, with 1-7/8" offset, must be connected to cylinder.

ITEM	QTY.	PART NO.	DESCRIPTION
1	2	905157	ELBOW, 3/8" X 1/4" M-M
2	2	REF	HYDRAULIC LOCK VALVE
2A	2	905158	ELBOW STRAIGHT, FACE SEAL #8, O-RING, #6 M-M
2B	2	260164	ELBOW 90°, O-RING, #6 M-M 1/4" NPTF
2C	2	269132-01	VALVE ASSEMBLY, PRESSURE COMPENSATED, 3 GPM
2D	2	282999-01	HYDRAULIC LOCK VALVE ASSEMBLY
2D-1	1	906841-01	COIL, 12 VDC
2D-2	1	906840-01	VALVE CARTRIDGE (2W2P)
2D-3	1	906840-02	NUT, CARTRIDGE VALVE
3	2	280629-01	FACE SEAL TUBE ASSEMBLY, RETURN LINE
4	2	280628-01	FACE SEAL TUBE ASSEMBLY, LIFT LINE
5	2	906830-01	ELBOW 90°, FACE SEAL, #8 M-M
6	2	268008-02	TUBE ASSEMBLY
7	2	280663-01	CYLINDER, 1-3/4" BORE X 53-1/8" STROKE (BMRSD-35/-44)
		280663-02	CYLINDER, 2" BORE X 53-1/8" STROKE (BMRSD-55/-66)
7A	REF	280663SK-01 COMB	SEAL KIT (COMBINATION, BMRSD-35/-44)
		280663SK-02 COMB	SEAL KIT (COMBINATION, BMRSD-55/-66)
8	1	268125-01	CYLINDER ASSEMBLY, 2-1/2" BORE, 5-3/4" STROKE
8A	1	253657	BEARING, SELF LUBE DIA. 1" I.D. X 1" LG.
8B	1	905179	CONNECTOR, FACE SEAL #4, O-RING, #6 M-M
8C	1	290060	SEAL KIT (CYLINDER)
9	1	268126-01	HOSE, TWIN LINE, OPENING & CLOSING
10	1	268128-01	RUBBER SPACER
11	2	906829-01	ELBOW 90°, FACE SEAL, #6 M-M
12	5	906792-01	UNION, ELBOW, FACE SEAL #4M-#4M 90 DEG
13	1	905150	TEE, UNION 3/8" FACE SEAL MALE, 6-JLO

HYDRAULIC COMPONENTS - Continued

MAXON

11921 Slauson Ave. Santa Fe Springs, CA. 90670 (800) 227-4116 FAX (888) 771-7713

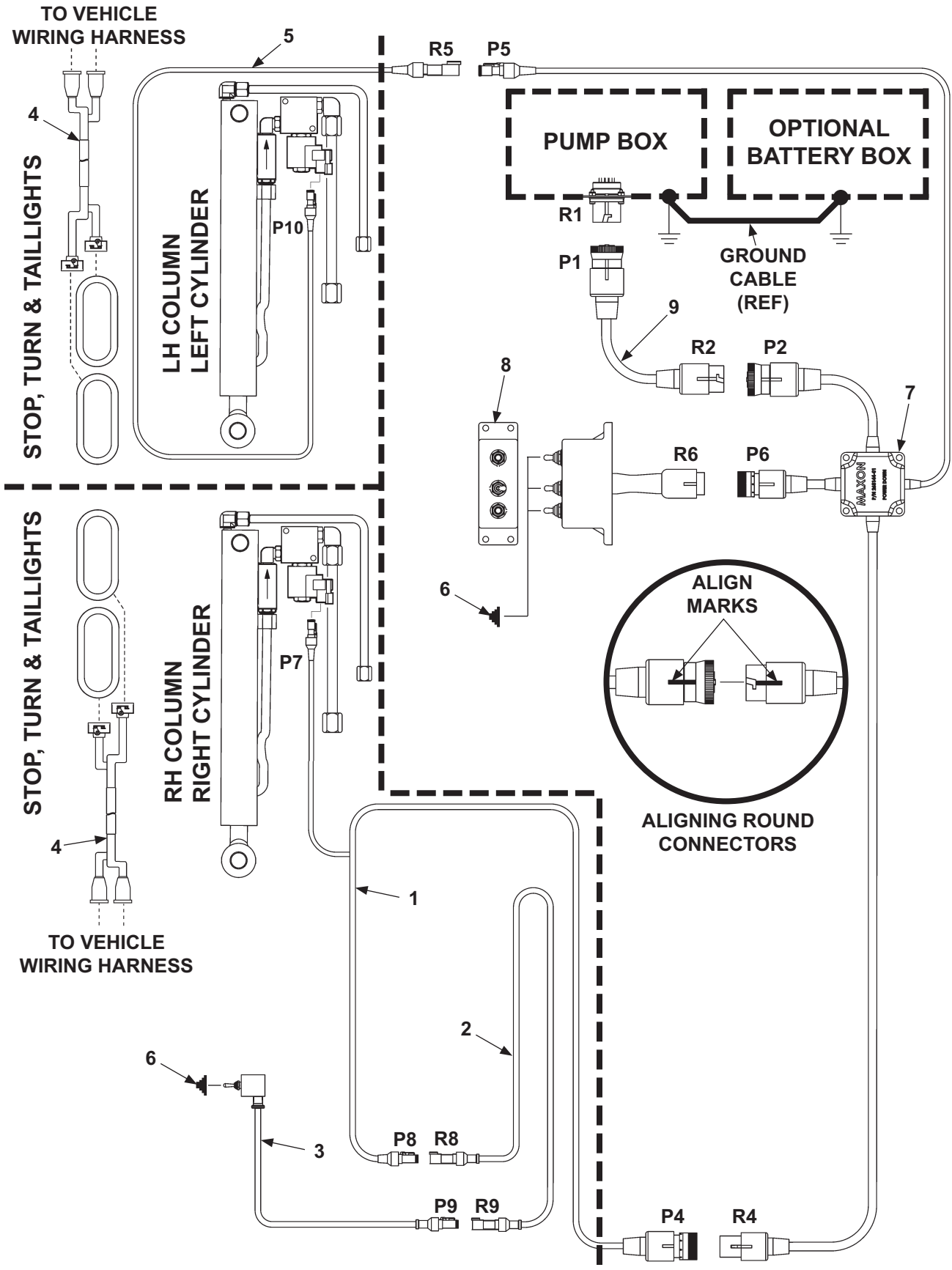


ITEM	QTY.	PART NO.	DESCRIPTION
14	1	264294-02	HP HOSE 1/4", 100" LG.
15	1	264294-03	HP HOSE 1/4", 24" LG.
16	1	280223-01	HP HOSE 3/8", 64" LG. (3' INSTALLATION)
		280223-03	HP HOSE 3/8", 196" LG. (10' INSTALLATION)
		280223-13	HP HOSE 3/8", 256" LG. (15' INSTALLATION)
		280223-05	HP HOSE 3/8", 316" LG. (20' INSTALLATION)
		280223-09	HP HOSE 3/8", 412" LG. (28' INSTALLATION)
17	1	280223-02	HP HOSE 3/8", 142" LG. (3' INSTALLATION)
		280223-04	HP HOSE 3/8", 274" LG. (10' INSTALLATION)
		280223-14	HP HOSE 3/8", 334" LG. (15' INSTALLATION)
		280223-06	HP HOSE 3/8", 394" LG. (20' INSTALLATION)
		280223-10	HP HOSE 3/8", 490" LG. (28' INSTALLATION)
18	1	280229-01	HP HOSE 1/4", 34" LG. (3' INSTALLATION)
		280229-02	HP HOSE 1/4", 166" LG. (10' INSTALLATION)
		280229-06	HP HOSE 1/4", 226" LG. (15' INSTALLATION)
		280229-03	HP HOSE 1/4", 286" LG. (20' INSTALLATION)
		280229-04	HP HOSE 1/4", 382" LG. (28' INSTALLATION)
19	2	280232-01	HP HOSE 1/4", 56" LG. (3' INSTALLATION)
		280232-02	HP HOSE 1/4", 188" LG. (10' INSTALLATION)
		280232-09	HP HOSE 1/4", 248" LG. (15' INSTALLATION)
		280232-03	HP HOSE 1/4", 308" LG. (20' INSTALLATION)
		280232-05	HP HOSE 1/4", 404" LG. (28' INSTALLATION)
20	11	906712-01	O-RING, #4 (1/4" FACE SEAL TUBE-END)
21	7	906712-02	O-RING, #6 (3/8" FACE SEAL TUBE-END)
22	4	906712-03	O-RING, #8 (1/2" FACE SEAL TUBE-END)

ELECTRICAL COMPONENTS SECTION

ELECTRICAL COMPONENTS

MAXON® 11921 Slauson Ave. Santa Fe Springs, CA. 90670 (800) 227-4116 FAX (888) 771-7713

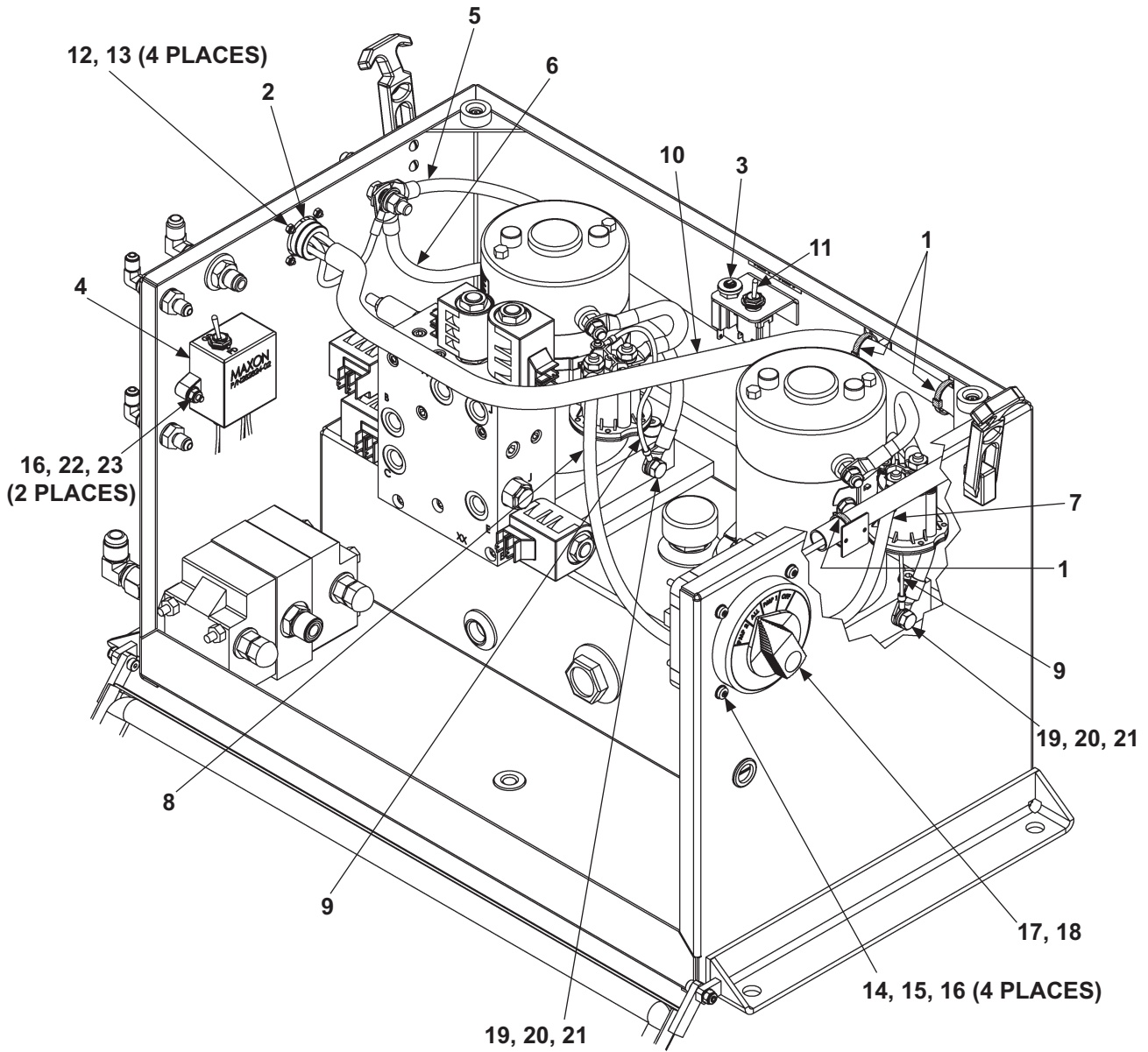


NOTE: MAXON recommends using dielectric grease on all electrical connections.

ITEM	QTY.	PART NO.	DESCRIPTION
1	1	269042-01	HARNESS, MOLDED RH
2	1	268141-01	CABLE FLEXIBLE, MOLDED
3	1	268142-01	SWITCH & CABLE, MOLDED
4	2	906621-01	HARNESS ASSEMBLY, STOP/TAIL LIGHTS
5	1	268146-01	CABLE, MOLDED, 90" LG.
6	1	905206	SWITCH SEAL BOOT, HALF-TOGGLE
7	1	268144-01	HARNESS INTCON, POWER DOWN, MOLDED
8	1	268145-01	CONTROL BOX, POWER DOWN, POWER OPEN
9	1	268143-02	CABLE EXTENSION, MOLDED, 63" LG.
		268143-03	CABLE EXTENSION, MOLDED, 147" LG.
		268143-04	CABLE EXTENSION, MOLDED, 267" LG.
		268143-05	CABLE EXTENSION, MOLDED, 363" LG.

MAXON[®] 11921 Slauson Ave. Santa Fe Springs, CA. 90670 (800) 227-4116 FAX (888) 771-7713

ELECTRICAL COMPONENTS - DUAL PUMP BOX



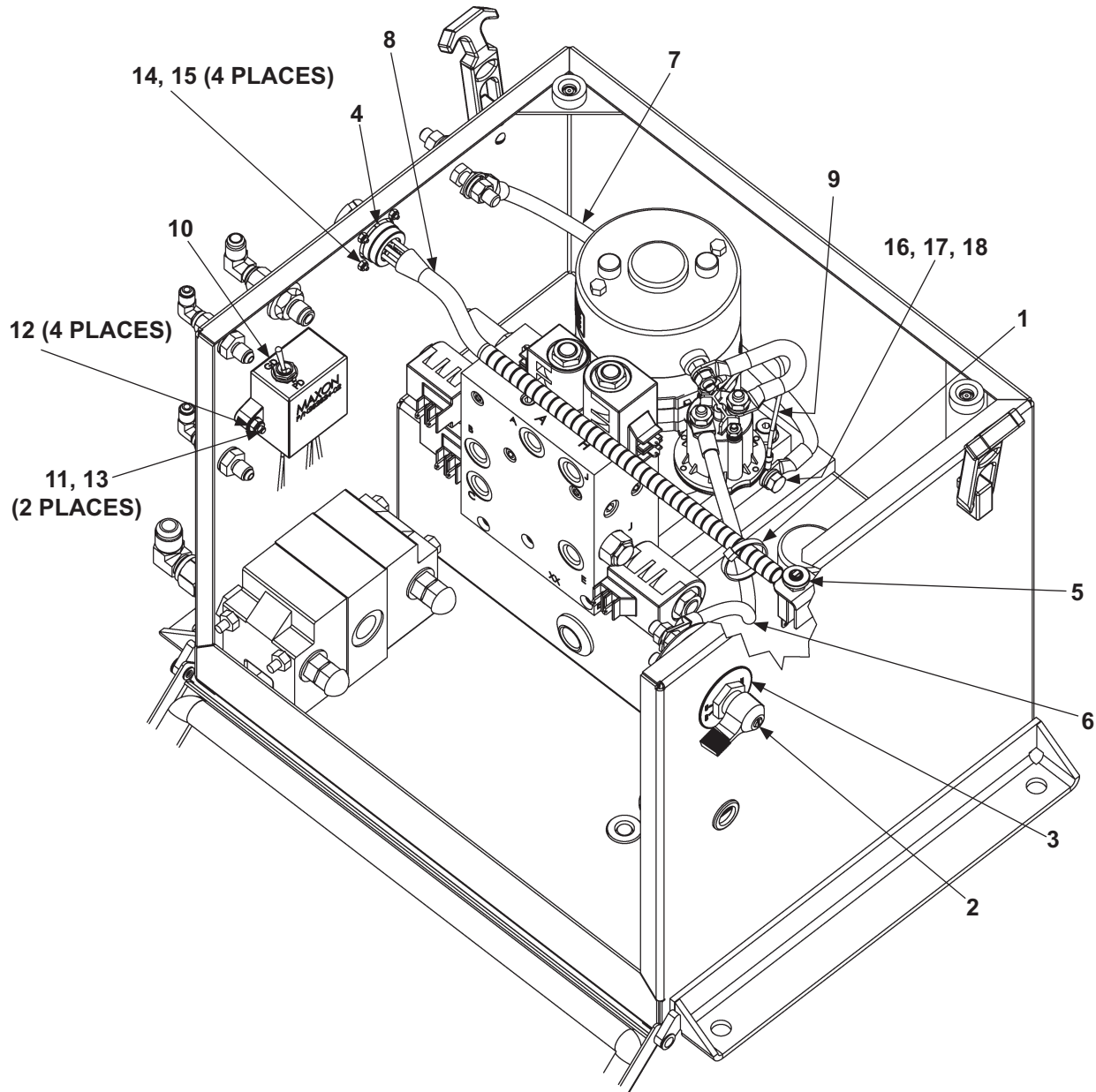
NOTE: MAXON recommends using dielectric grease on all electrical connections.

MAXON®

11921 Slauson Ave. Santa Fe Springs, CA. 90670 (800) 227-4116 FAX (888) 771-7713

ITEM	QTY.	PART NO.	DESCRIPTION
REF	1	283080-01	DUAL PUMP ASSEMBLY (BMRSD)
1	3	205780	TIE, PLASTIC 7" LG.
2	1	263802-02	GASKET, CONNECTOR (6 PIN)
3	1	264179	CIRCUIT BREAKER, 10 AMP
4	1	282824-02	SWITCH ASSEMBLY (POWER DOWN ON DEMAND)
5	1	268226-02	CABLE ASSEMBLY, 2GA, 28" LG.
6	1	268226-04	CABLE ASSEMBLY, 2GA, 14" LG.
7	1	285506-01	CABLE ASSEMBLY, 2GA, 10-1/2" LG.
8	1	285506-02	CABLE ASSEMBLY, 2GA, 21-1/2" LG.
9	2	268342-01	WIRE ASSEMBLY, 16GA, 7" LG.
10	1	283082-01	HARNESS, DUAL PUMP (BMRSD)
11	1	906577-01	TOGGLE SWITCH (PUMP SELECTOR)
12	4	900709-08	PAN HEAD SCREW, #4-40 X 1/2" LG.
13	4	901007	LOCK NUT, NYLON, #4-40, GRADE 8
14	4	900753-15	PAN HEAD SCREW, 10"-24 X 2 1/4" LG.
15	8	903444-01	FLAT WASHER, #10 (STAINLESS STEEL)
16	6	901003	NYLON NUT, #10-24
17	1	906590-01	SWITCH, MASTER DISCONNECT
18	1	906591-01	O-RING
19	2	900009-1	CAP SCREW, 5/16"-18 X 5/8" LG, GRADE 8
20	2	902000-8	FLAT WASHER, 5/16" X 1/16" THICK
21	2	902011-3	LOCK WASHER, 5/16" X 5/64" THICK, GRADE 8
22	2	902013-07	FLAT WASHER, #10
23	2	900753-09	PAN HEAD SCREW, #10-24 X 1" LG.

ELECTRICAL COMPONENTS - SINGLE PUMP BOX



NOTE: MAXON recommends using dielectric grease on all electrical connections.

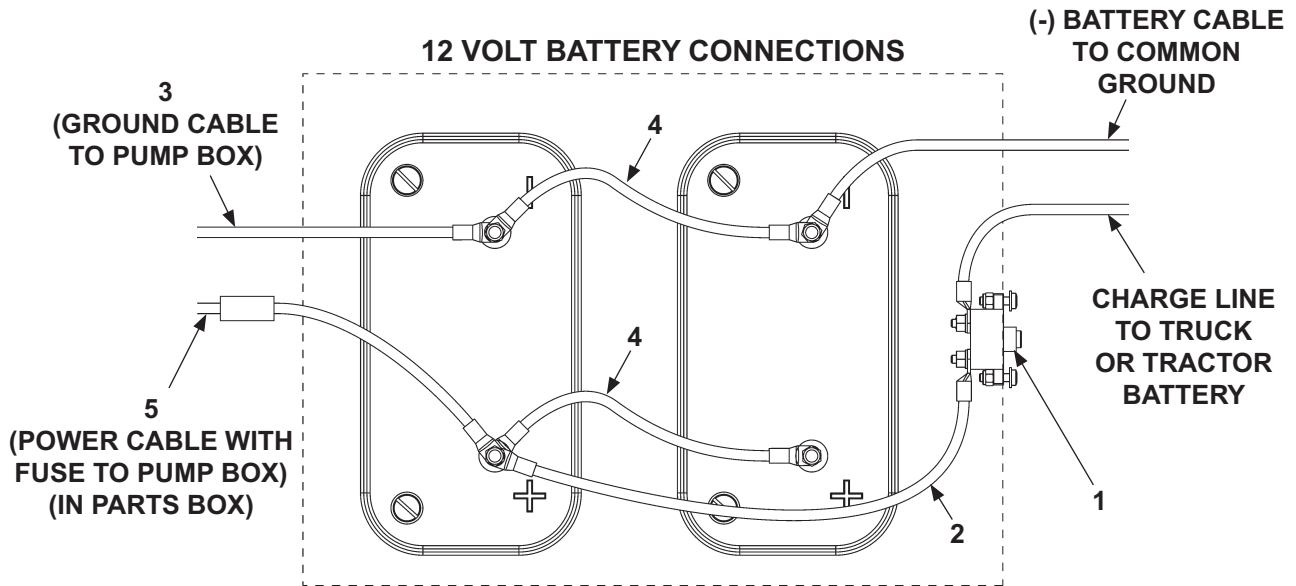
MAXON[®] 11921 Slauson Ave. Santa Fe Springs, CA. 90670 (800) 227-4116 FAX (888) 771-7713

ITEM	QTY.	PART NO.	DESCRIPTION
REF	1	283310-01	SINGLE PUMP ASSEMBLY (BMRSD)
1	1	205780	TIE, PLASTIC 7" LG.
2	1	228754	MASTER SWITCH, O-RING SEALED SHAFT
3	1	228755	PLATE, SWITCH FACE
4	1	283802-02	GASKET, CONNECTOR (6 PIN)
5	1	264179	CIRCUIT BREAKER, 10 AMP
6	1	285506-01	CABLE ASSEMBLY, 2 GA, 10-1/2" LG.
7	1	268226-04	CABLE ASSEMBLY, 2 GA, 14" LG.
8	1	283311-01	HARNESS, SINGLE PUMP (BMRSD)
9	1	268342-01	WIRE ASSEMBLY, 16 GA, 7" LG.
10	1	282824-02	SWITCH ASSEMBLY (POWER DOWN ON DEMAND)
11	2	900753-09	PAN HEAD SCREW, #10-24 X 1" LG.
12	4	903444-01	FLAT WASHER, #10 (STAINLESS STEEL)
13	2	901003	LOCK NUT, #10-24
14	4	900709-08	PAN HEAD SCREW, #4-40 X 1/2" LG.
15	4	901007	LOCK NUT, #4-40, GRADE 8
16	1	900009-1	CAP SCREW, 5/16"-18 X 5/8" LG, GRADE 8
17	1	902011-3	LOCK WASHER, 5/16" X 5/64" THICK, GRADE 8
18	1	902000-8	FLAT WASHER, 5/16" X 1/16" THICK

ELECTRICAL COMPONENTS - BATTERY BOX

MAXON[®]

11921 Slauson Ave. Santa Fe Springs, CA. 90670 (800) 227-4116 FAX (888) 771-7713



NOTE: MAXON recommends using dielectric grease on all electrical connections.

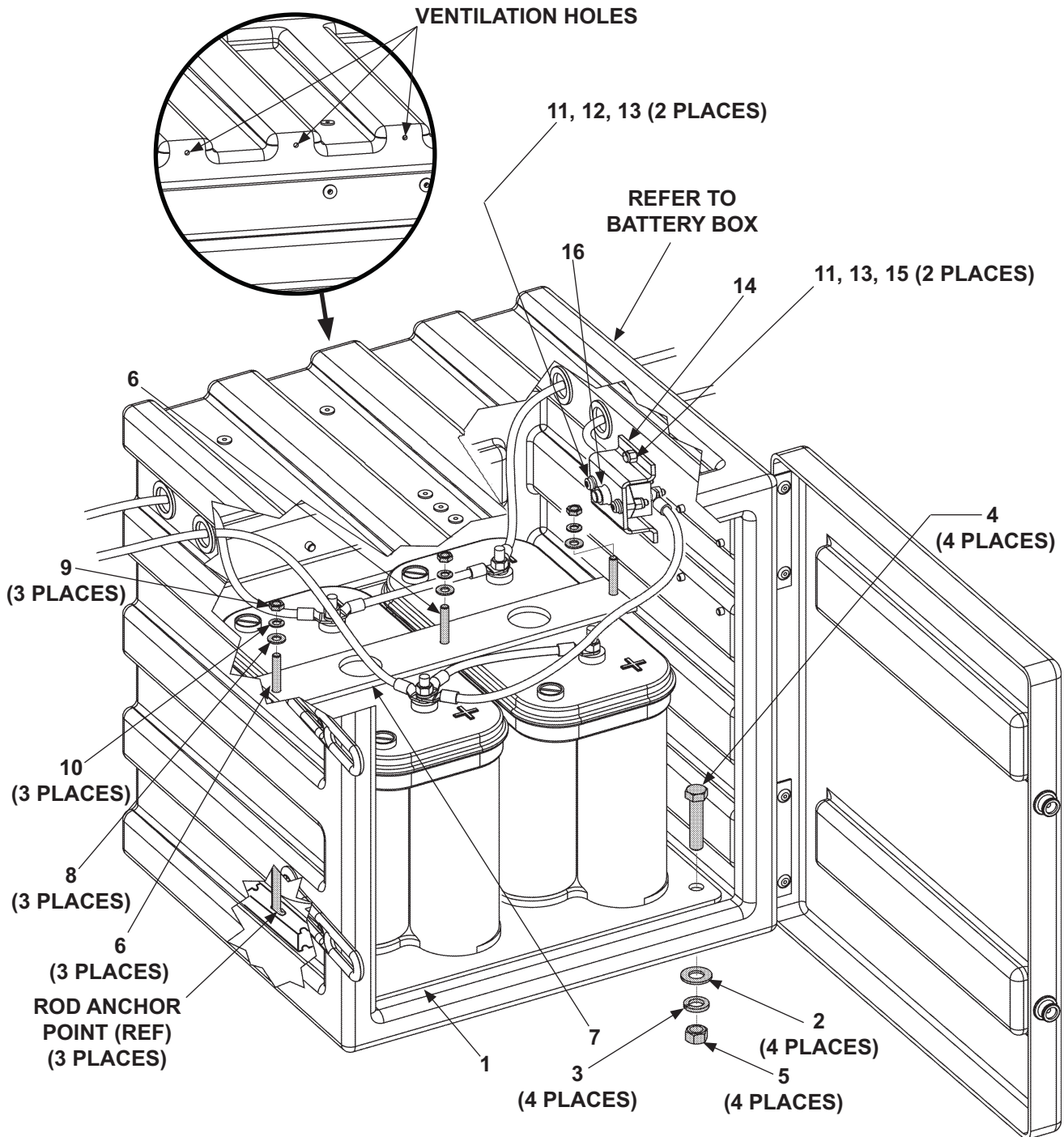
ITEM	QTY	PART NO.	DESCRIPTION
1	1	221736	CIRCUIT BREAKER 150 AMP
2	1	268226-07	CABLE ASSEMBLY, 2 GA, 18" LG.
3	1	268226-06	CABLE ASSEMBLY, 2 GA, 74" LG.
4	2	251871-14	CABLE ASSEMBLY, 2 GA, 10" LG
5	1	285487-02	CABLE ASSEMBLY, 2 GA, 200 AMP, 42" LG.

THIS PAGE INTENTIONALLY LEFT BLANK

BATTERY BOX ASSEMBLY

⚠ WARNING

Explosive hydrogen gas from charging batteries can accumulate in battery box if not vented from the box. To prevent hydrogen gas from accumulating, ensure the 3 ventilation holes in battery box are not plugged or covered.

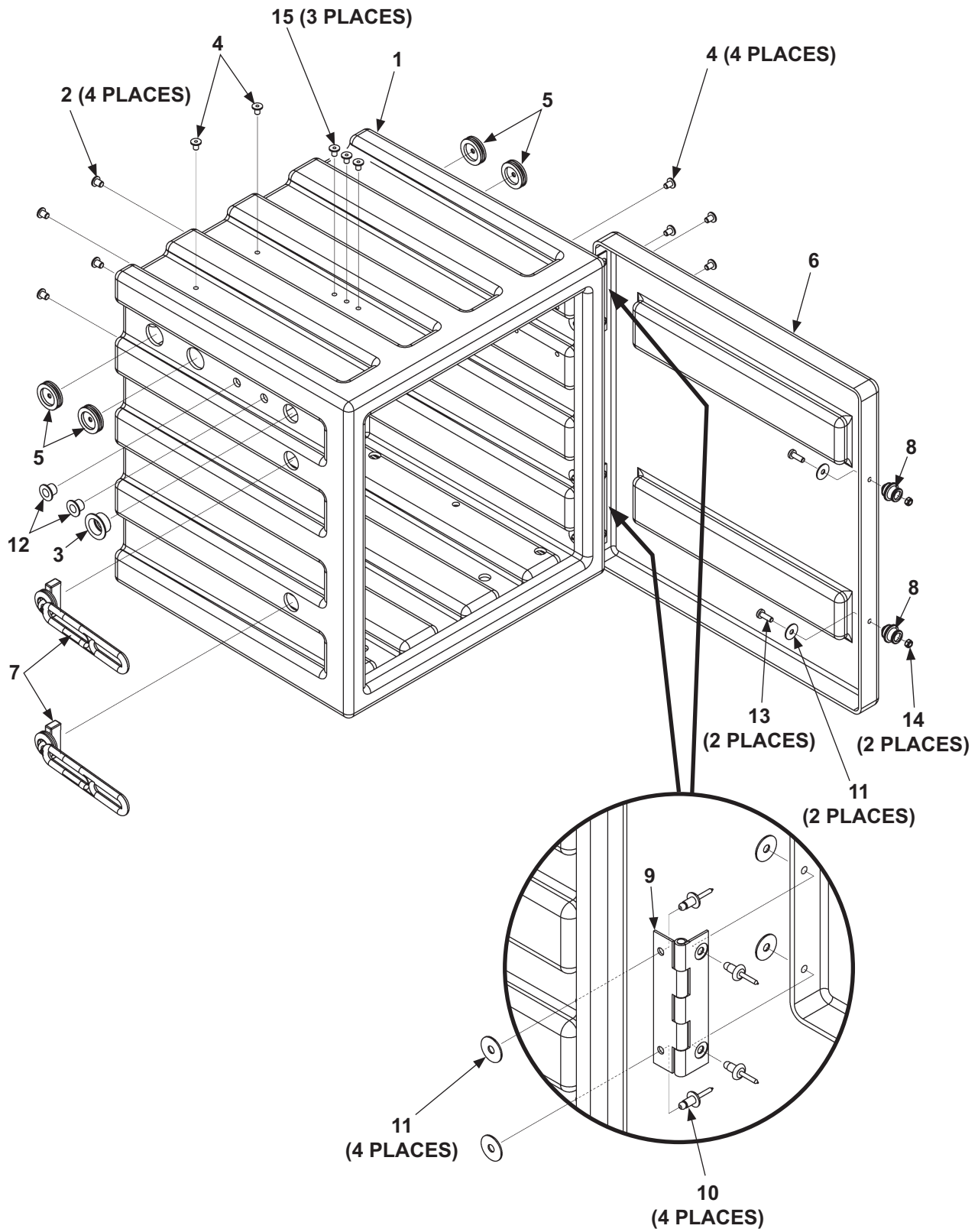


MAXON®

11921 Slauson Ave. Santa Fe Springs, CA. 90670 (800) 227-4116 FAX (888) 771-7713

ITEM	QTY	PART NO.	DESCRIPTION
1	1	269535-01G	BATTERY MOUNT PLATE WELDMENT, GALVANIZED
2	4	902013-14	FLAT WASHER, 9/16"
3	4	902011-7	LOCK WASHER, 9/16"
4	4	900033-6	CAP SCREW, 1/2"-20 X 2-1/4" LG, GRADE 8
5	4	901011-10	HEX NUT, 1/2"-20
6	3	227722-01	ROD, L-SHAPE BATTERY HOLD DOWN
7	1	250479	BRACKET (BATTERY HOLD DOWN)
8	3	902013-10	FLAT WASHER, 5/16"
9	3	901005	HEX NUT, 5/16"-18, GRADE 8
10	3	902011-3	LOCK WASHER, #10
11	4	902013-09	FLAT WASHER, 1/4"
12	2	900002-4	PAN HEAD SCREW, 1/4"-20 X 1" LG.
13	4	901000	LOCK NUT, 1/4"-20
14	1	287341-01	MANUAL RESET BRACKET
15	2	900002-1	PAN HEAD SCREW, 1/4"-20 X 3/4" LG.
16	1	221736	CIRCUIT BREAKER, 150 AMP (MANUAL RESET)

BATTERY BOX



MAXON[®]
 11921 Slauson Ave. Santa Fe Springs, CA. 90670 (800) 227-4116 FAX (888) 771-7713

ITEM	QTY	PART NO.	DESCRIPTION
REF	1	269561-01	BATTERY BOX
1	1	269526-01	BOX
2	4	908022-03	PLUG, 5/16"
3	1	908022-08	PLUG, 1-1/16"
4	6	908022-07	PLUG, .275"
5	4	266428-02	GROMMET, 1"
6	1	269558-01	COVER
7	2	908193-01	RUBBER LATCH
8	2	908194-01	FASTENING KNOB
9	2	285884-01	BATTERY BOX HINGE STAINLESS STEEL
10	8	903715-03	BLIND RIVET, 1/4" X 1/4"-3/8"
11	10	903438-01	WASHER, 1/4"
12	2	908022-05	PLUG, 9/16"
13	2	900719-07	BUTTON HEAD SCREW, 1/4"-20 X 1" LG
14	2	903137-01	LOCK NUT, 1/4"-20, NYLON
15	3	908022-01	PLUG, 1/4"

MAXON[®] 11921 Slauson Ave. Santa Fe Springs, CA. 90670 (800) 227-4116 FAX (888) 771-7713