

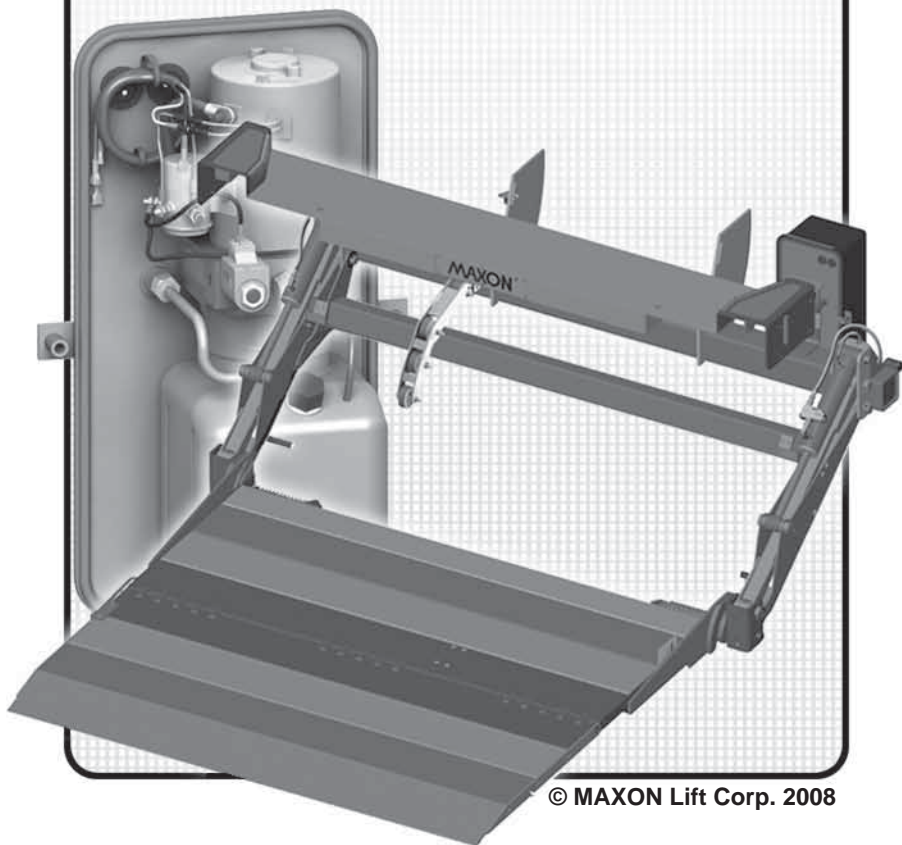
M-04-05  
REV. D  
APRIL 2008

# MAXON®

## OPERATION MANUAL

GPTLR-25, GPTLR-33, GPTLR-44 & GPTLR-55

**TUK-A-WAY®**  
LIFT GATE SERIES



© MAXON Lift Corp. 2008

**KEEP THIS MANUAL IN CAB OF VEHICLE**

For a free copy of other manuals that pertain to this model Liftgate, please visit our website at [www.maxonlift.com](http://www.maxonlift.com) or call Customer Service at (800) 227-4116



# TABLE OF CONTENTS

|   |           |
|---|-----------|
| <b>WARNINGS</b> .....                           | <b>4</b>  |
| LIFTGATE TERMINOLOGY .....                      | 5         |
| <b>RECOMMENDED DAILY OPERATION CHECKS</b> ..... | <b>6</b>  |
| DECALS .....                                    | 8         |
| NONSKID & STRIPING .....                        | 12        |
| <b>FORKLIFT ADVISORY</b> .....                  | <b>13</b> |
| <b>OPERATION</b> .....                          | <b>14</b> |
| USING CART STOPS (IF EQUIPPED) .....            | 22        |
| USING RETENTION RAMP (IF EQUIPPED).....         | 25        |

## **WARNING**

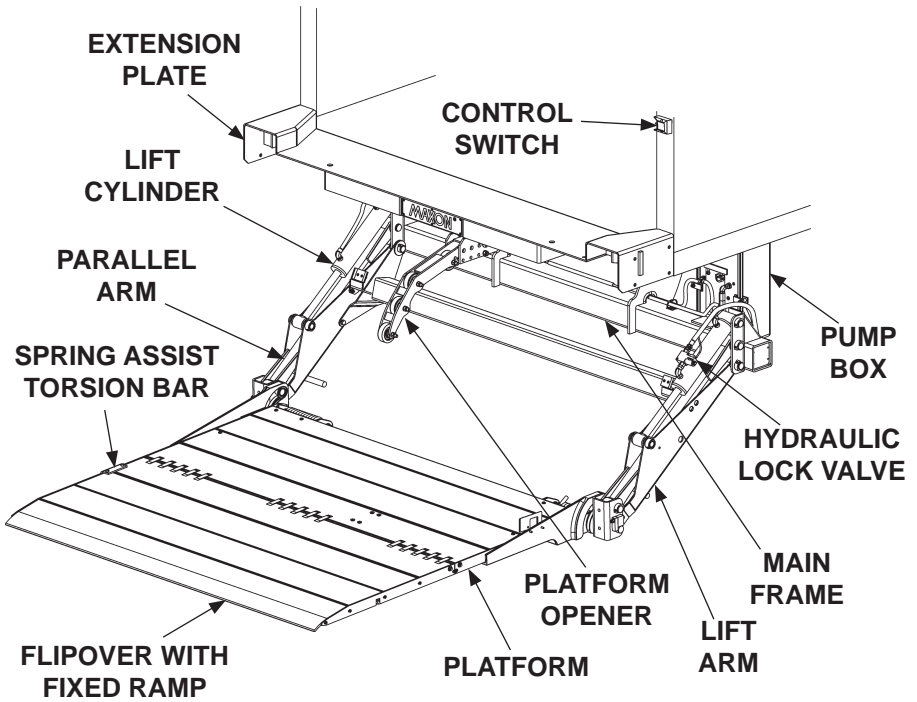
1. Incorrect operation of this Liftgate can result in serious personal injury. Comply with **WARNINGS** and Liftgate operating instructions in this manual. Do not allow untrained persons to operate the Liftgate. If you need to replace an **Operation Manual**, additional copies are available from:

**MAXON Lift Corp.**  
**11921 Slauson Ave**  
**Santa Fe Springs, CA 90670**  
**(800) 227-4116**

**NOTE:** For latest version manuals (and replacements), download manuals from Maxon's website at **[www.maxonlift.com](http://www.maxonlift.com)**.

2. Do not exceed rated load capacity of the Liftgates which is **2500 lbs. for model GPTLR-25, 3300 lbs. for model GPTLR-33, 4400 lbs. for model GPTLR-44, and 5500 lbs. for model GPTLR-55.**
3. Do not allow any part of your body to be placed under, within, or around any portion of the moving Liftgate or its mechanisms, or in a position that would trap them between the platform and the floor of truck body (or between platform and the ground) when Liftgate is operating.
4. Consider the safety and location of bystanders and location of nearby objects when operating the Liftgate. Stand to one side of platform while operating the Liftgate. Be certain that the area the Liftgate will move through during operation is clear of all obstacles.
5. Comply with all attached instruction decals and warning decals.
6. Keep decals clean and legible. If decals are illegible or missing, have them replaced. **Get free replacement decals from Maxon.**
7. **Never drive a forklift on the Liftgate platform.**
8. Do not move vehicle unless Liftgate is correctly stowed.
9. **Correctly stow platform when not in use. Extended platforms could create a hazard for people and vehicles passing by.**
10. A correctly installed Liftgate will operate smoothly and reasonably quiet. The only noticeable noise, during Liftgate operation, is from the pump unit while the platform is raised. Listen for scraping, grating and binding noises and have the problem corrected before continuing to operate the Liftgate.
11. Above all, **USE GOOD COMMON SENSE** when operating this Liftgate.
12. Never use a cell phone while operating the Liftgate.

# LIFTGATE TERMINOLOGY



# RECOMMENDED DAILY OPERATION CHECKS

**NOTE:** Before you check the Liftgate, park vehicle on flat ground and set the parking brake.

**NOTE:** If any of the following operation checks reveal a need to service or repair Liftgate, do not operate the Liftgate until a qualified mechanic services or repairs the Liftgate.

## Before operating the Liftgate, the operator should do the following:

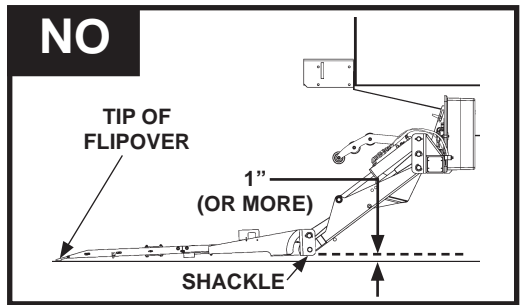
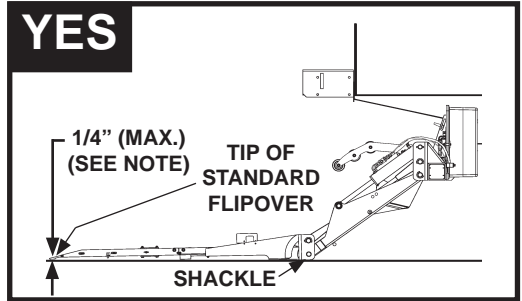
- Make sure battery is fully charged and battery terminal connections are clean and tight.
- Make sure cab cutoff switch is **ON**, if equipped.
- Visually check that pump cover is bolted on securely and undamaged. Look for hydraulic fluid leaking from the pump box.
- Visually check that control switch is in place and undamaged.
- Visually check for cracks and bends on the extension plate. Also, make sure fasteners are in place and undamaged and extension plate is clean (no oil, debris, or corrosion).
- Visually check that all decals, nonskid stickers, and safety striping are in place (see **DECALS and NONSKID & SAFETY STRIPING** pages). Also, make sure decals are legible and decals, nonskid, and safety striping are clean and undamaged.

## Use the operation instructions in this manual to lower the Liftgate to the ground and open the platform and flipover.

- Check main frame, lift arms, parallel arms and platform openers for cracks and bends. Make sure rollers, on the platform openers, roll freely. Also, make sure all bolts and pins are in place and undamaged.
- Make sure main frame, lift arms, parallel arms and platform openers are clean (no oil, debris, or corrosion).
- Check the hydraulic cylinders for leaking seals and hose connections. Follow the hydraulic hoses (or return lines for gravity down Liftgates) from the cylinders to pump box. Make sure all hoses are connected at both ends and there are no cracks, chafing, and fluid leaks.

**NOTE:** Liftgates may be equipped with a retention ramp. Since the tip of the flipover for the retention ramp is different from the standard flipover, a 2" distance between tip and ground is acceptable flipover (see **YES illustration**).

- With the platform unfolded and on the ground, check if the shackles and the tip of platform touch the ground at the same time (**YES illustration**). If the platform looks like the **YES illustration**, you can operate Liftgate. If the shackles are off the ground and platform looks like the **NO illustration**, do not operate the Liftgate. (See **NOTE** at beginning of the **DAILY OPERATION CHECKS**.)



- Check the platform and flipover for cracks, holes, and bends on the load-carrying surface and side plates. Also, make sure torsion bars, coil springs, and fasteners are in place and undamaged.
- Make sure platform and flipover load-carrying surfaces are clean (no oil, debris, or corrosion).

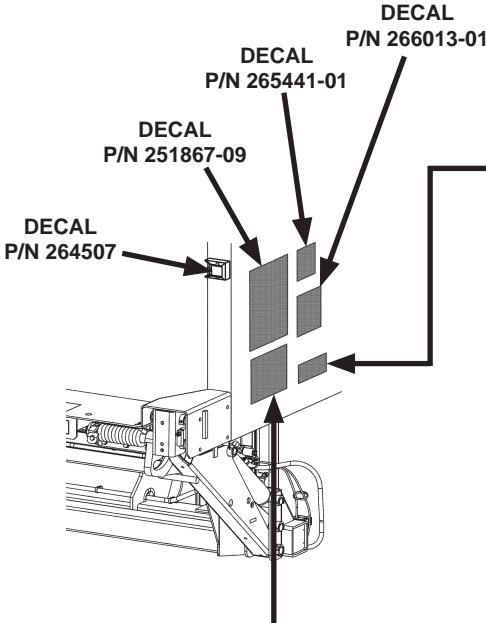
**Use the operation instructions in this manual to operate the Liftgate through one cycle without a load on the platform. RAISE the platform to vehicle bed height. Then, lower the platform to ground level.**

- When the Liftgate is moving, listen for unusual noises and look for jerking motion or uneven movement on either side of the platform.

**If service or repairs are not required (or if completed), stow the Liftgate.**

# DECALS

**NOTE:** Decals for streetside are included with the street side control switch kit.



THE MAXIMUM CAPACITY  
OF THIS LIFT IS

**POUNDS**

WHEN THE LOAD IS  
CENTERED ON PLATFORM

**CAPACITY DECAL  
(SEE TABLE 8-1)**

| CAPACITY DECALS |           |
|-----------------|-----------|
| CAPACITY        | PART NO.  |
| 2500 LBS.       | 220382    |
| 3300 LBS.       | 220388-02 |
| 4400 LBS.       | 253155    |
| 5500 LBS.       | 253161    |

**TABLE 8-1**

**⚠ WARNING**

**READ THIS INFORMATION CAREFULLY**

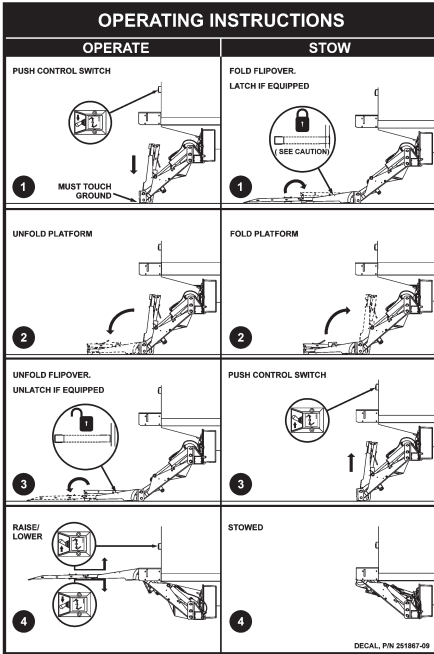
- Improper operation of this Liftgate can result in serious personal injury. Do not operate unless you have been properly instructed and have read, and are familiar with the operating instructions. If you do not have a copy of the instructions, please obtain them from your employer, distributor, or lessor before you attempt to operate Liftgate.
- Be certain that the vehicle is properly and securely braked before using the Liftgate.
- Always inspect this Liftgate for maintenance or damage before using it. If there are signs of improper maintenance, damage to vital parts, or slippery Platform surface, do not use the Liftgate until these problems have been corrected.
- Do not overload the Liftgate. The load limit is based on evenly distributed cargo over the entire Platform surface. If you are using a pallet jack, be sure it can be maneuvered safely. Do not operate a forklift on the Platform or travel with the platform in an open position at any time.
- Load should be placed in a stable position close to the edge of the Platform nearest the truck. The heaviest portion of the load should never be placed beyond the center of the Platform away from the truck.
- Never allow yourself, a helper, or bystander to stand in a position where a falling load could land on either of you. Also do not allow any part of yours or your helper's body to be placed under, within, or around any portion of the moving Liftgate, or its mechanisms, or in a position that would trap them between the platform and the ground or truck when the Liftgate is operated.
- If a helper is riding the Platform with you, make sure you are both doing so safely and that you are not in danger of coming in contact with any moving or potentially moving obstacles. USE GOOD COMMON SENSE. If load appears to be unsafe, do not lift or lower it.

For a free copy of other manuals that pertain to this model Liftgate, please visit our website at [www.maxonlift.com](http://www.maxonlift.com) or call Customer Service at (800) 227-4116.

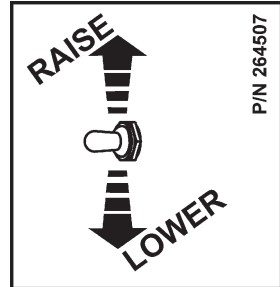
MAXON LIFT CORP.PART NO. 264081

**WARNING DECAL  
P/N 264081**





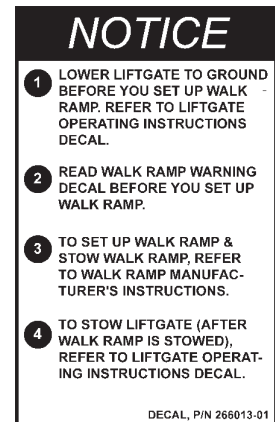
**INSTRUCTION DECAL**  
P/N 251867-09



**CONTROL SWITCH DECAL**  
P/N 264507



**WALK RAMP WARNING DECAL (WALK RAMP EQUIPPED VEHICLES ONLY)**  
P/N 265441-01

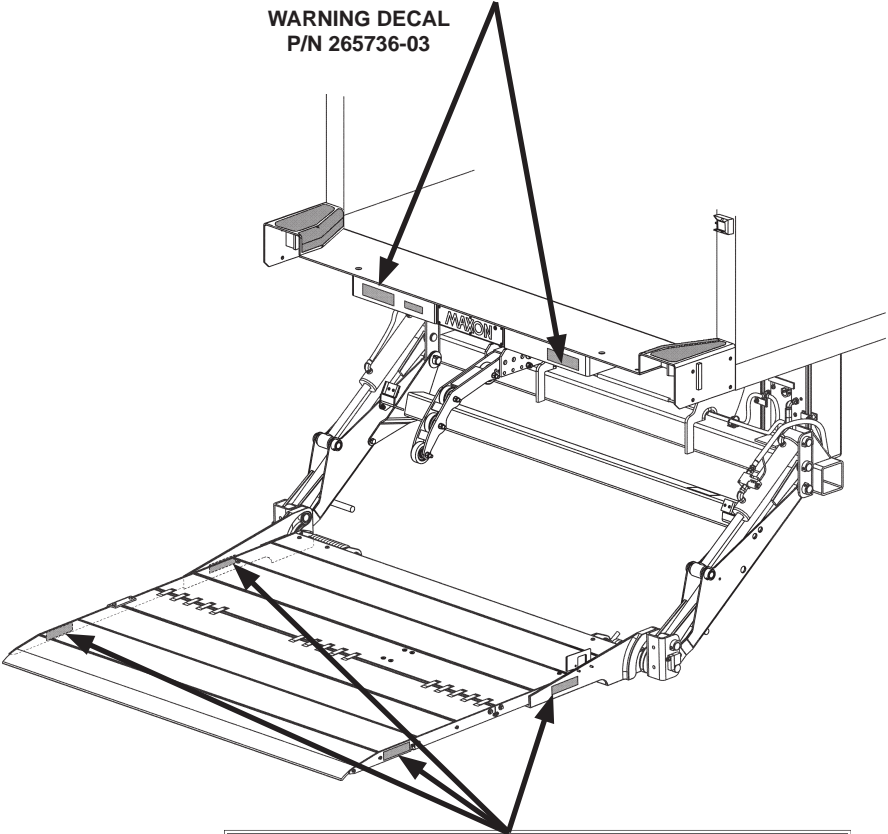


**WALK RAMP NOTICE DECAL (WALK RAMP EQUIPPED VEHICLES ONLY)**  
P/N 266013-01

# DECALS - Continued



**WARNING DECAL**  
P/N 265736-03

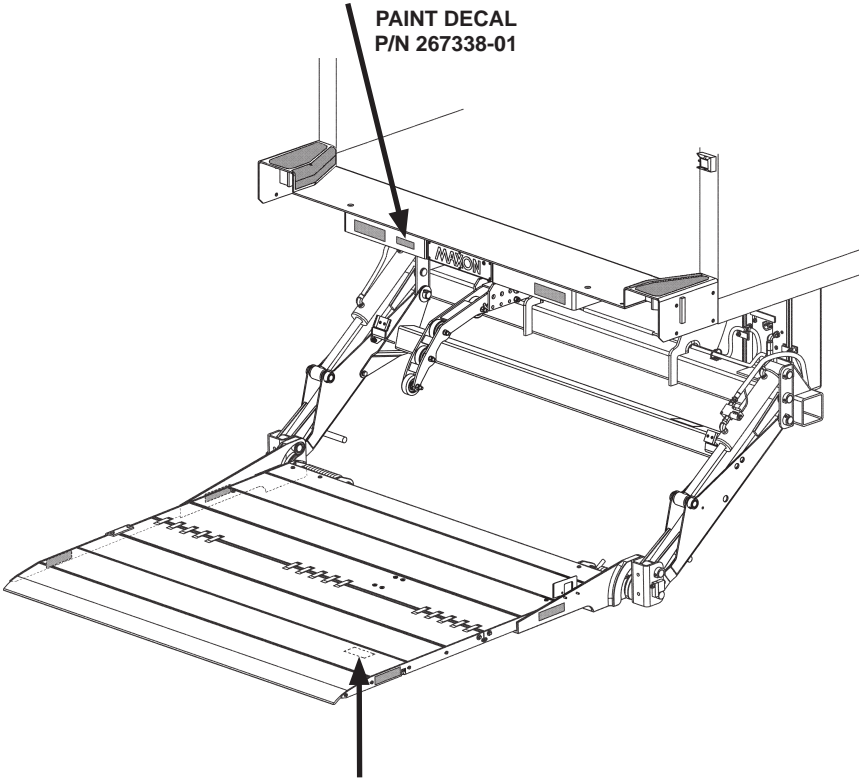


**WARNING DECAL**  
P/N 265736-02

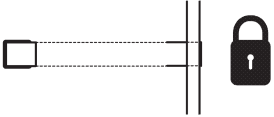
**MAX PRO**

MAXIMUM PROTECTION PAINT

**PAINT DECAL  
P/N 267338-01**



**CAUTION**

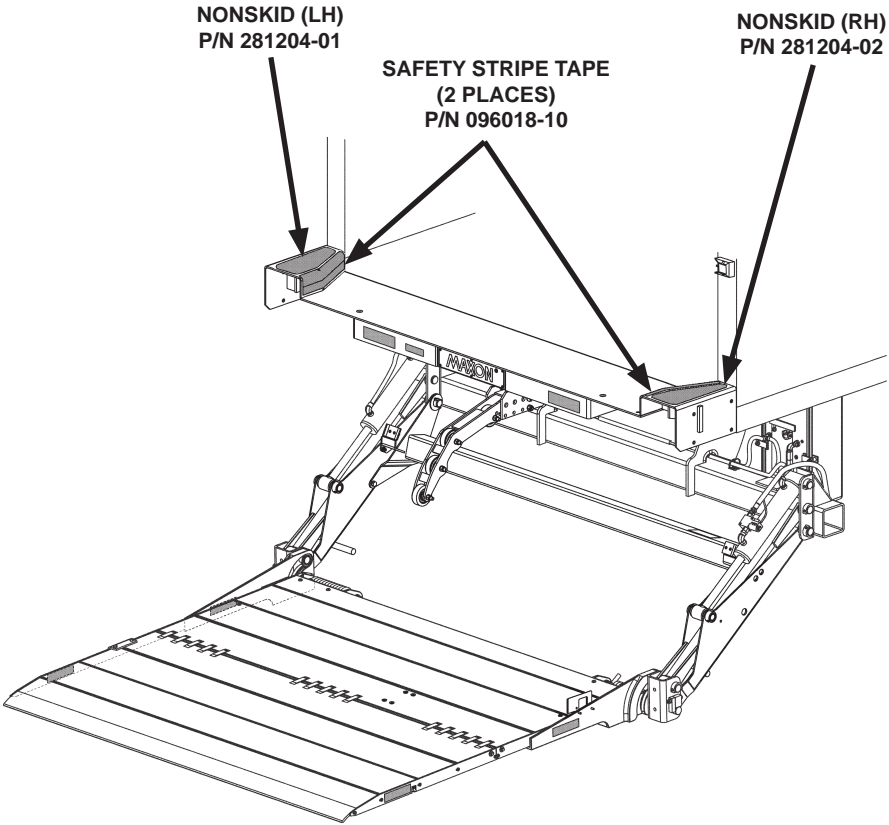


**TO PREVENT DAMAGE,  
LATCH PLATFORM AND  
FLIPOVER BEFORE  
STOWING.**

P/N 267694-01

**CAUTION DECAL  
P/N 267694-01**

# NONSKID & STRIPING



# FORKLIFT ADVISORY

**⚠ WARNING**  
**Keep forklift OFF of platform.**

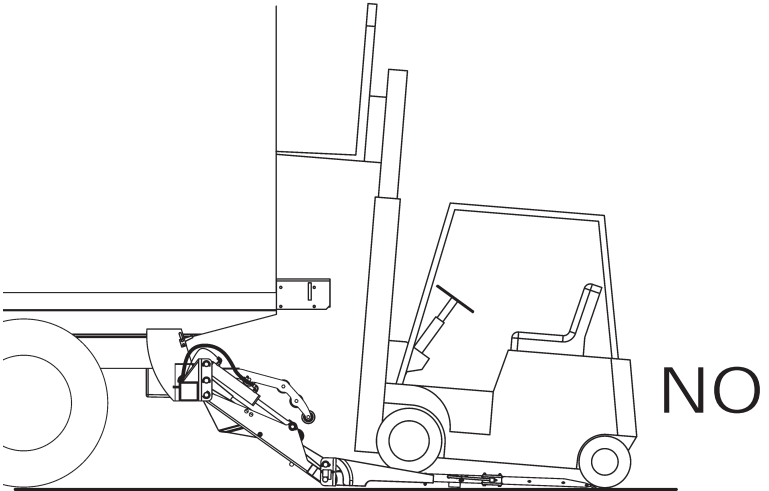
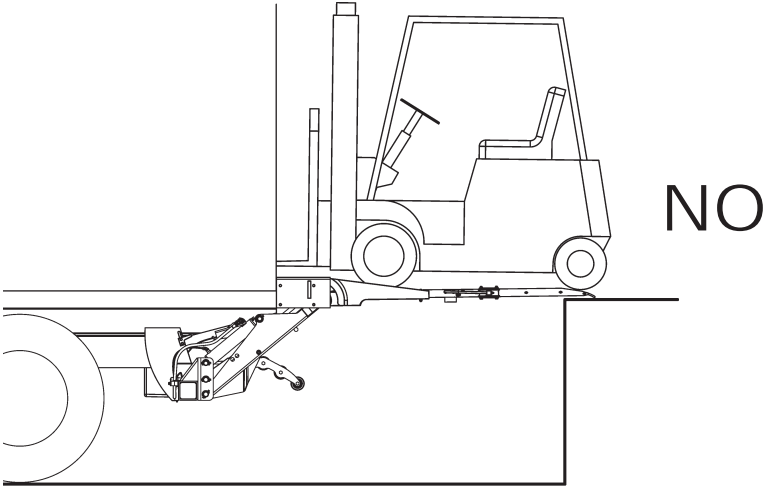
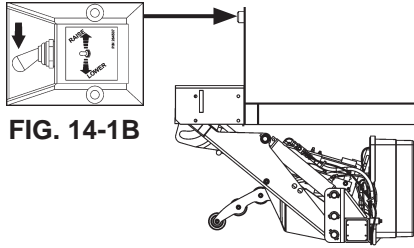


FIG. 13-1

## OPERATION

1. Standing to the side of platform (**FIG. 14-1A**), push the toggle switch to **LOWER** position as shown in **FIG. 14-1B**.



**FIG. 14-1B**

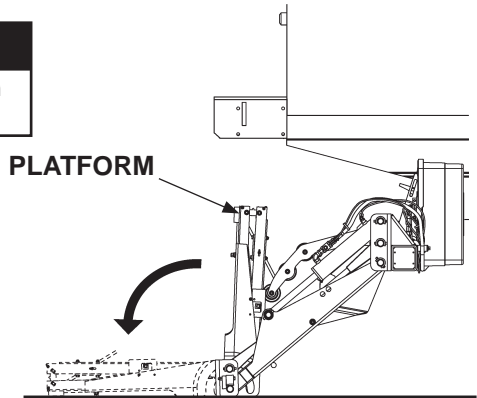
**FIG. 14-1A**



### **WARNING**

**Never operate control switch while unfolding platform.**

2. Lower the platform until it touches the ground. Next, unfold platform (**FIG. 14-2**).



**UNFOLDING PLATFORM**

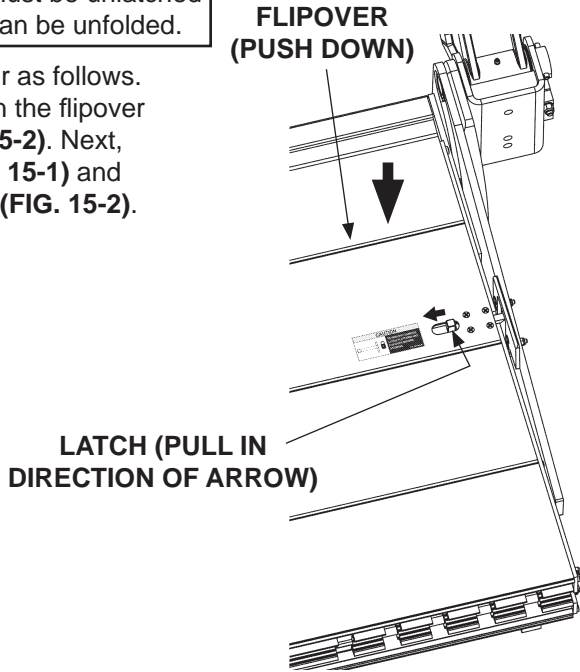
**FIG. 14-2**

**⚠ CAUTION**

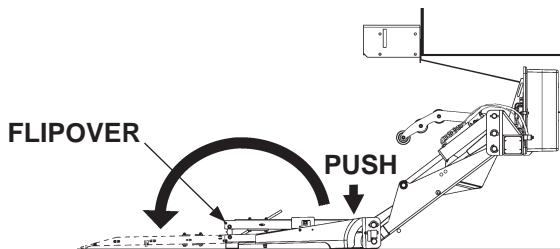
To prevent injury, pull the latch only as shown.

**NOTE:** Flipover must be unlatched before it can be unfolded.

3. Unlatch the flipover as follows. First push down on the flipover (FIGS. 15-1 and 15-2). Next, pull the latch (FIG. 15-1) and unfold the flipover (FIG. 15-2).



**UNLATCHING FOLDED FLIPOVER  
(RH SIDE OF STEEL FLIPOVER SHOWN)  
FIG. 15-1**

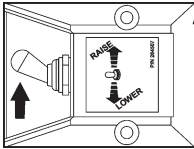


**UNFOLDING FLIPOVER  
(ALUMINUM FLIPOVER SHOWN)  
FIG.15-2**

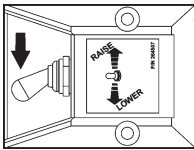
## OPERATION - Continued

**NOTE:** While operating the Liftgate, release the toggle switch to stop the platform.

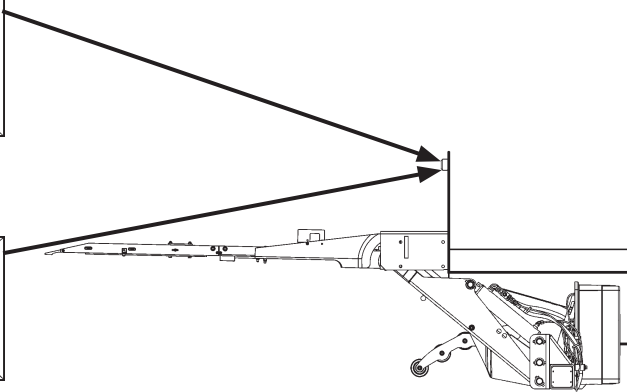
4. Raise the platform (**FIG. 16-2A**) by pushing the toggle switch to the **RAISE** position (**FIG. 16-2B**). Wait a second before releasing the toggle switch, after platform reaches bed height. To lower the platform, push the toggle switch to the **LOWER** position (**FIG. 16-2C**).



**FIG. 16-2B**



**FIG. 16-2C**



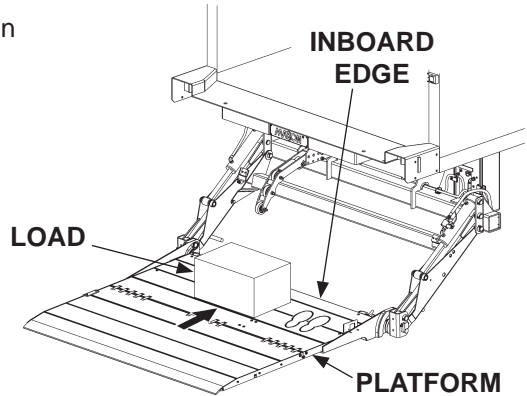
**RAISING & LOWERING PLATFORM**  
**FIG. 16-2A**



## WARNING

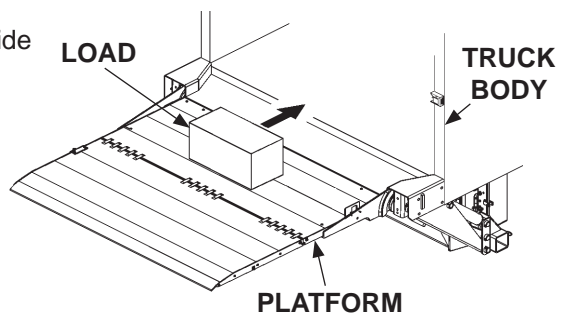
A load should never extend past the edges of the platform. Do not place unstable loads on platform and do not allow load to exceed the lifting capacity of the Liftgate. If standing on platform, do not allow your feet to extend beyond the inboard edge of the platform.

5. Move load on the platform at ground level, as shown in FIG. 17-1.



**LOADING PLATFORM AT GROUND LEVEL**  
**FIG. 17-1**

6. Raise the platform to bed level (FIG. 17-2). Move load from platform to inside the vehicle body.



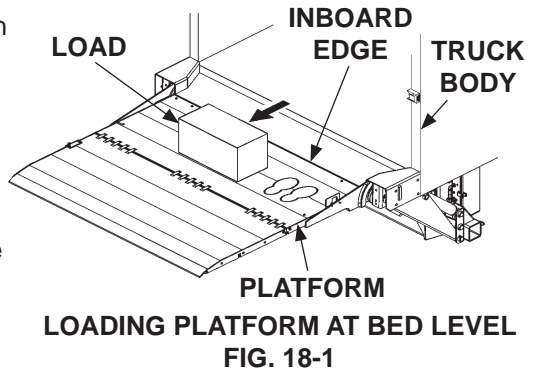
**UNLOADING PLATFORM AT BED LEVEL**  
**FIG. 17-2**

## OPERATION - Continued

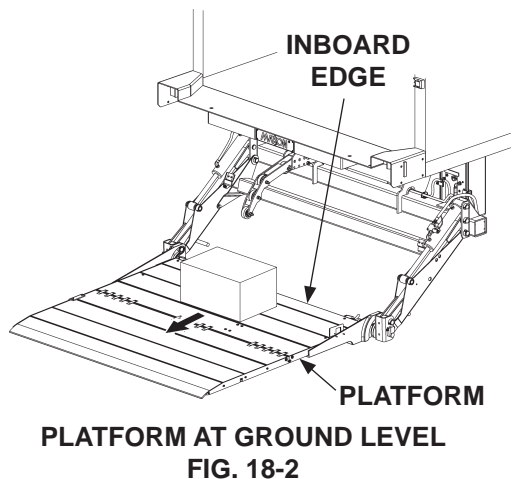
### **WARNING**

**Pulling the load from vehicle to platform can result in a fall from platform and serious injury. When unloading vehicle, always push the load out on the platform.**

7. Load the platform at bed level as follows. Push load out of the vehicle to correct position on the platform (**FIG. 18-1**). Place all loads as close as possible to the inboard edge of the platform with heaviest part toward the truck body as shown in **FIG. 18-1**. If standing on platform with the load, stand in the footprint area shown and comply with the **WARNING** on the previous page.



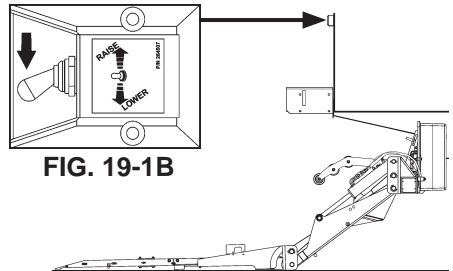
8. Lower the platform to ground level (**FIG. 18-2**). Then, move load off the platform (**FIG. 18-2**).



## **⚠ WARNING**

**Never move the vehicle unless the Liftgate is properly stowed.**

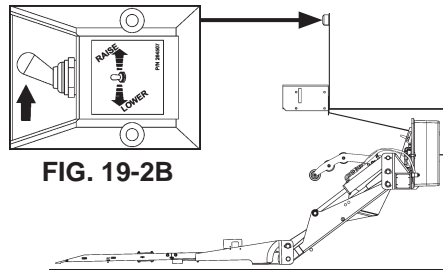
9. Before moving the vehicle, prepare the Liftgate as follows. Make sure load is removed from platform. If the platform is at bed height, push the toggle switch to the **LOWER** position as shown in **FIG. 19-1B**. Release toggle switch when platform touches the ground (**FIG. 19-1A**).



**FIG. 19-1B**

**LOWERING LIFT**  
**FIG. 19-1A**

10. Stow the Liftgate by doing the following. **RAISE** the platform a little above the ground (**FIG. 19-2A**) by pushing the control switch to the **RAISE** position (**FIG. 19-2B**).



**FIG. 19-2B**

**RAISING LIFT**  
**FIG. 19-2A**

## OPERATION - Continued

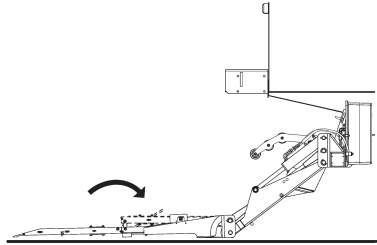
### **WARNING**

Keep hands clear of the platform support when folding the flipover.

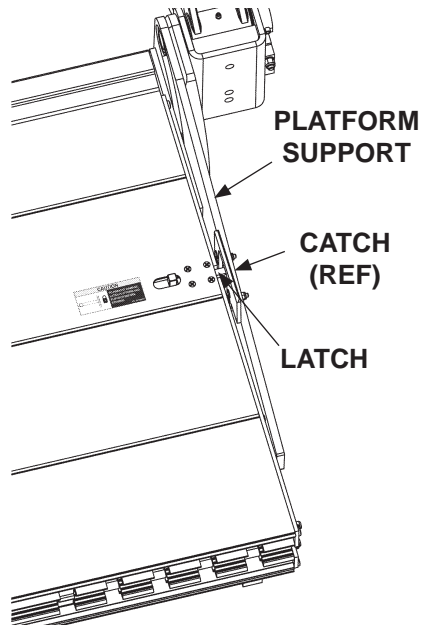
**NOTE:** Before folding flipover, make sure cart stops or retention ramp are stowed (if equipped).

**NOTE:** When the flipover is folded, make sure it is latched securely.

11. Fold the flipover (**FIG. 20-1**). Then, make sure flipover is latched to platform support (**FIG. 20-2**).



**FOLDING FLIPOVER  
FIG. 20-1**

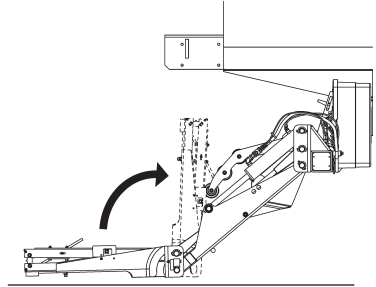


**FLIPOVER FOLDED & LATCHED  
(RH SIDE OF STEEL FLIPOVER SHOWN)  
FIG. 20-2**

## WARNING

Keep hands clear of the extension plate when folding the platform under the extension plate.

12. Fold the platform as shown in FIG. 21-1.



FOLDING PLATFORM  
FIG. 21-1

## CAUTION

Stow Liftgate under hydraulic pressure.

13. Raise the Liftgate by pushing the toggle switch to the RAISE position (FIG. 21-2B). Wait a second before releasing toggle switch after Liftgate is raised all the way (FIG. 21-2A).

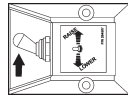
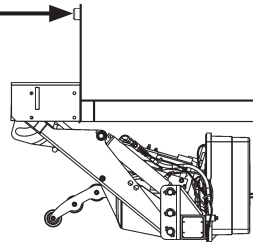


FIG. 21-2B



CORRECTLY STOWED LIFTGATE  
FIG. 21-2A

14. Liftgate is ready for transport.

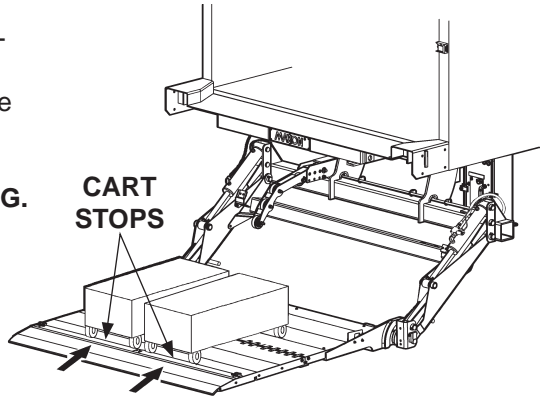
# USING CART STOPS (IF EQUIPPED)

## CAUTION

To prevent injuries caused by tripping and falling, make sure cart stops are closed before walking on and off outboard end of platform.

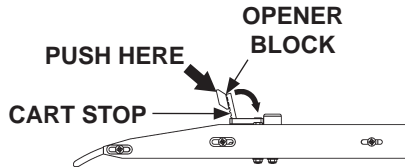
**NOTE:** Some Liftgates are equipped with single or dual cart stops. Cart stops prevent loaded carts from rolling off outboard end of platform. Single cart stops are 1 section, about the same as overall width of platform, and operate with one set of controls. Dual cart stops are 2 identical sections, with a combined width about the same as overall width of platform, and each is independently operated with separate controls (1 set of controls per cart stop). The following procedure shows how to operate dual cart stops; however, a single cart stop operates the same way.

1. Load a platform with cart stops at ground level as follows. Make sure cart stops are closed when loading the platform (**FIGS. 22-1 and 22-2**). Then, move load on the platform as shown in **FIG. 22-1**.



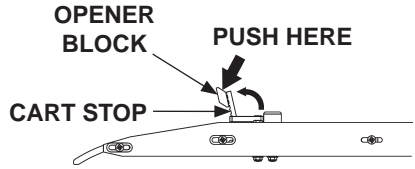
**LOADING PLATFORM AT GROUND LEVEL  
(CART STOPS CLOSED)  
FIG. 22-1**

2. To close cart stops, push on the opener block as shown in **FIG. 22-2**.



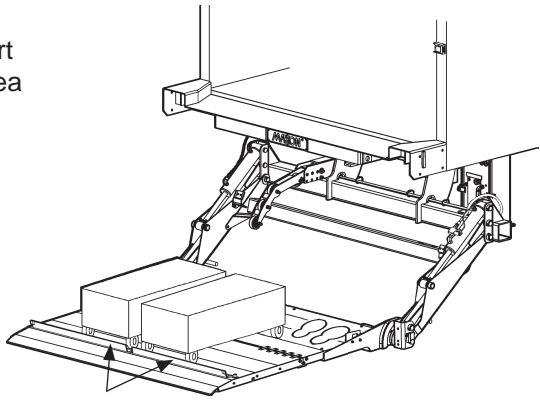
**CLOSING CART STOPS  
(RH VIEW OF FLIPOVER)  
FIG. 22-2**

3. To open cart stops, push on the opener block as shown in FIG. 23-1.



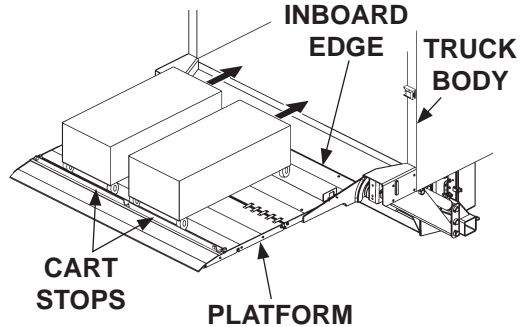
**OPENING CART STOPS  
(RH VIEW OF FLIP OVER)  
FIG. 23-1**

4. Open cart stops (FIGS. 23-1 and 23-2). Next, position cart and stand in the footprint area as shown in FIG. 23-2.



**CART STOPS OPEN  
FIG. 23-2**

5. Raise the platform to bed level (FIG. 23-3). Move the load off the platform into the vehicle body (FIG. 23-3).



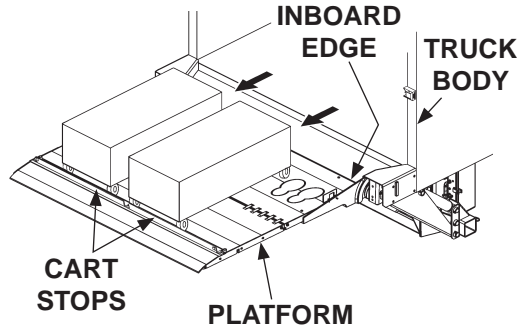
**UNLOADING PLATFORM AT BED LEVEL  
FIG. 23-3**

# USING CART STOPS (IF EQUIPPED) - Continued

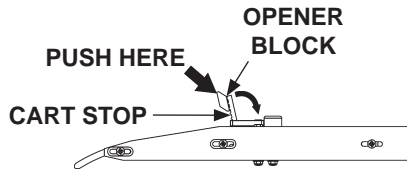
## **WARNING**

Pulling the load from vehicle to platform can result in a fall from platform and serious injury. When unloading vehicle, always push the load out on the platform.

6. When loading the platform at bed level, make sure cart stops are open (FIG. 24-1). Push load out of the vehicle to correct position on the platform. Place all loads as close as possible to the inboard edge of the platform with heaviest part toward the truck body as shown in FIG. 24-1. If standing on platform with the load, stand in the footprint area shown and comply with the **WARNING** on page 17.

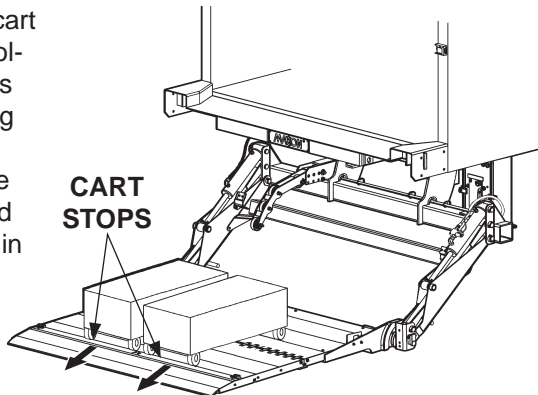


**LOADING PLATFORM AT BED LEVEL  
(DUAL CART STOPS OPEN)  
FIG. 24-1**



**CLOSING CART STOPS  
(RH VIEW OF FLIPOVER)  
FIG. 24-2**

7. Unload the platform with cart stops at ground level as follows. Make sure cart stops are closed when unloading the platform (FIG. 24-2). Move cart enough to close cart stop. Then, move load off the platform as shown in FIG. 24-3.



**CART STOPS CLOSED  
FIG. 24-3**



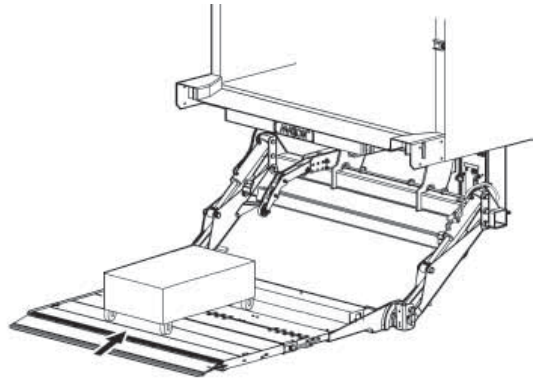
## USING RETENTION RAMP (IF EQUIPPED)

### CAUTION

To prevent injuries caused by tripping and falling, make sure retention ramp is in the ramp position before walking on and off outboard end of platform.

**NOTE:** Some Liftgates are equipped with a retention ramp. A retention ramp, like a cart stop, prevents loaded carts from rolling off outboard end of platform. Unlike a cart stop, a retention ramp lets you use the entire load surface of platform. The catches on top of the flipover and a cam-like hinge action keep retention ramp stowed when not in use. The cam-like hinge also allows the retention ramp to be rotated and locked in retention position or in ramp position. The following procedure shows how to operate a retention ramp.

1. Load the platform with retention ramp at ground level as follows. Make sure retention ramp is in the ramp position when loading the platform (**FIG. 25-1**). Next, move load on the platform as shown in (**FIG. 25-1**). Then do the steps that follow to place the retention ramp in the retention position.

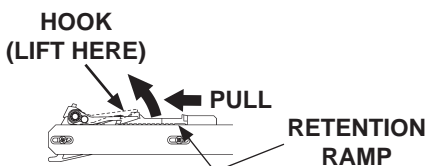


**LOADING PLATFORM AT GROUND LEVEL  
(SHOWN IN RAMP POSITION)  
FIG. 25-1**

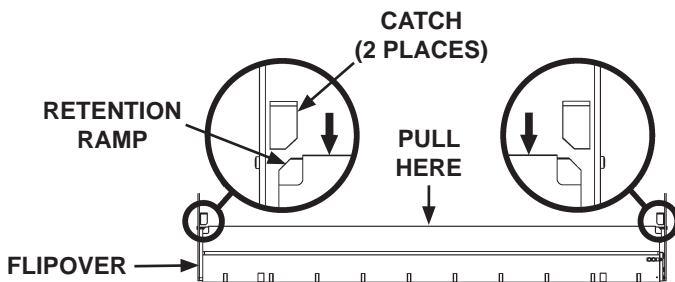
# USING RETENTION RAMP (IF EQUIPPED) - Continued

**NOTE:** To unhook the retention ramp, stand at the RH side of flipover. After the retention ramp is unhooked, the recommended place for handling the retention ramp is at the center of the free edge (**FIG. 26-2**).

2. Unhook retention ramp (**FIG. 26-1**). To release from the catches, pull retention ramp toward outboard end of flipover as shown in **FIG. 26-2**.



**UNHOOKING RETENTION RAMP  
(RH VIEW OF FLIPOVER)  
FIG. 26-1**



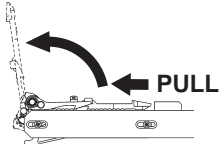
**RELEASING RETENTION RAMP  
(TOP VIEW OF FLIPOVER)  
FIG. 26-2**

**! CAUTION**

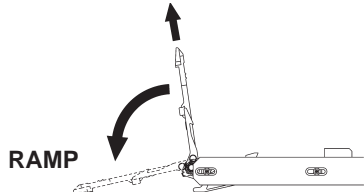
To prevent injuries, stay clear of the retention ramp path as it is moved to ramp position. Go to either side of the ramp and stay out of the way.

3. Continue to pull retention ramp to the retention position (FIG. 27-1) and then to ramp position (FIG. 27-2).

RETENTION

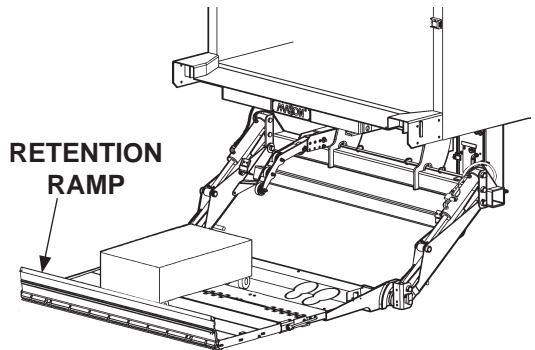


**MOVING TO RETENTION POSITION  
(RH VIEW OF FLIP OVER)  
FIG. 27-1**



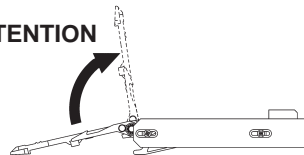
**MOVING TO RAMP POSITION  
(RH VIEW OF FLIP OVER)  
FIG. 27-2**

4. When cart is on platform, place the retention ramp in the retention position (FIGS. 27-3 and 27-4). Next, stand in the footprint area shown in FIG. 27-3.



**RAMP IN RETENTION POSITION  
FIG. 27-3**

RETENTION



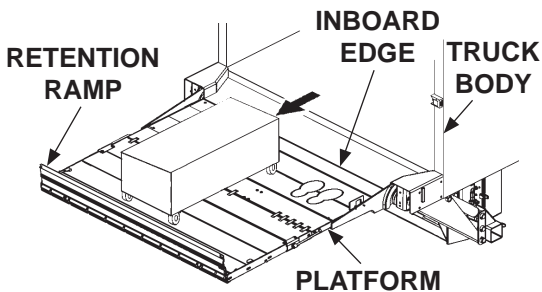
**ROTATING TO RETENTION POSITION  
(RH VIEW OF FLIP OVER)  
FIG. 27-4**

# USING RETENTION RAMP (IF EQUIPPED) - Continued

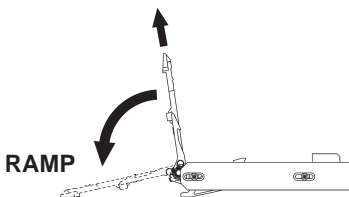
## **WARNING**

Pulling the load from vehicle to platform can result in a fall from platform and serious injury. When unloading vehicle, always push the load out on the platform.

5. When loading the platform at bed level, make sure retention ramp is in the retention position (FIGS. 26-2 and 28-1). Push load out of the vehicle to correct position on the platform. Place all loads as close as possible to the inboard edge of the platform with heaviest part toward the truck body as shown in FIG. 28-1. If standing on platform with the load, stand in the footprint area shown and comply with the **WARNING** on page 17.

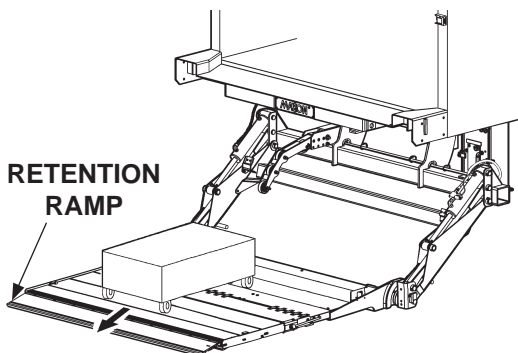


**LOADING PLATFORM AT BED LEVEL  
(RAMP IN RETENTION POSITION)  
FIG. 28-1**



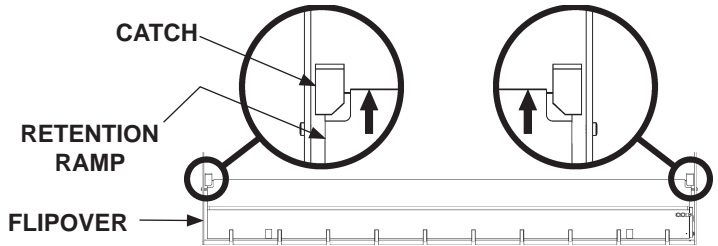
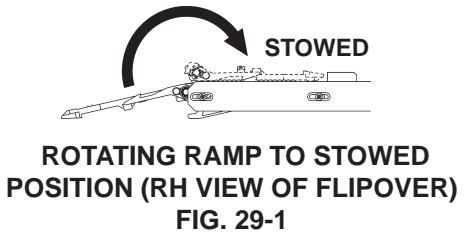
**ROTATING TO RAMP POSITION  
(RH VIEW OF FLIPOVER)  
FIG. 28-2**

6. Unload the platform with retention ramp at ground level as follows. Make sure retention ramp is in the ramp position when unloading the platform (FIGS. 28-2 and 28-3). Move cart enough to reposition retention ramp. Then, move load off the platform as shown in FIG. 28-3.



**UNLOADING PLATFORM AT GROUND LEVEL  
(RAMP POSITION)  
FIG. 28-3**

7. To stow, rotate retention ramp to retention position and then to the flat position on flipover as shown in **FIG. 29-1**. Push the retention ramp fully into the catches (**FIG. 29-2**). Make sure retention ramp is hooked to the flipover (**FIG. 29-3**).



8. Push the retention ramp fully into the catches (**FIG. 29-2**). Make sure retention ramp is hooked to the flipover (**FIG. 29-3**).

