

# PERIODIC MAINTENANCE

## MAXON BMR-A LIFTGATE

### PREVENTATIVE MAINTENANCE CHECKLIST

PM Interval: Quarterly / Annual

Date: \_\_\_ / \_\_\_ / \_\_\_

Equipment: \_\_\_\_\_

W/O # \_\_\_\_\_

Location: \_\_\_\_\_

Mechanic: \_\_\_\_\_

Serial # \_\_\_\_\_

Model # \_\_\_\_\_

Check Appropriate Box. "☐"

#### MAXON Quarterly Liftgate PM Procedures

Satisfactory	Repair Required	Corrected		
			1	Check your company's maintenance records to verify when quarterly and annual PM's are due.
			2	Check for oil leaks: cylinders, fittings, hoses, valves, oil filter and fittings inside of pump box.
			3	Check for damage: bent ramps, platform, columns, runners & hydraulic tubes.
			4	Check for loose or missing nuts, bolts, covers, roll pins, screws and pins.
			5	Check for cracked welds: columns, runners, platform, chain arms, pump box and door frame.
			6	Check platform lowering speed: Range is 8-22 seconds BMRA-35/-44 or 12-27 seconds BMRA-55/66 with unloaded platform. Check "D" valves for proper operation
			7	Check platform pins and couplers. Check roller assemblies
			8	Check platform raising speed: Range is 9-21 seconds BMRA-35/-44 or 13-26 seconds BMRA-55/-66 with unloaded platform
			9	Check open and close speed: Range is 3-8 seconds in either direction. Adjust if necessary
			10	Check platform pins and couplers. Check roller assemblies on runners.
			11	Check switches, circuit breaker & wiring connections on Liftgate as well as inside pump box. Also check that ground strap connections are tight.
			12	Check gear pump for unusual noise (i.e. squealing or excessive RPM).
			13	Check oil level with platform stowed. Refer to oil decal inside pump cover. The sight glass should be half full. Check oil for contamination. Change if needed.
			14	Check batteries: load test, corrosion, cables, hold downs and water level.
			15	Dual pump boxes: Please switch the selector switch to opposite pump at each PM.
			16	Check platform chains for wear each time maintenance is performed.
			17	Check operation of cart stop ramps (if equipped).
			18	Check all charging and ground cable connections
			19	Pump EP synthetic grease in each lube fitting at 2 platform pivots and the 2 roller axels on the 4 tandems (if equipped with fittings). Wipe away grease seepage. Ensure each of the tandem rollers is clean and free of grease.
			20	Follow your company's guidelines for completing PM stickers and maintenance records for the Liftgate.

**For more detailed information, please refer to the applicable sections in this Maintenance Manual and the separate Parts Manual. Use only genuine Maxon replacement parts for all repairs.**

#### MAXON Annual Liftgate PM Procedures

Satisfactory	Repair Required	Corrected	21	Replace spin-on filter in pump box. Change hydraulic fluid if contaminated.
Satisfactory	Repair Required	Corrected	22	Inspect wear on slide pads, on the RH and LH runners.

**TABLE 12-1**

## PERIODIC MAINTENANCE CHECKS

### **WARNING**

**Never operate the Liftgate if parts are loose or missing.**

**NOTE:** Photocopy the **PM CHECKLIST** on the preceding page to help keep track of periodic maintenance on the Liftgate. Keep completed form with maintenance records.

**NOTE:** When replacing parts, refer to Parts Manual for genuine MAXON replacement parts.

### **Annually**

- Change spin-on oil filter.
- Inspect for wear on slide pads on the RH & LH runners.

### **Quarterly**

Check the hydraulic fluid level in the pump reservoir. Refer to the **CHECKING HYDRAULIC FLUID** procedure in the **PERIODIC MAINTENANCE** section.

- If hydraulic fluid appears contaminated, refer to the **CHANGING HYDRAULIC FLUID** procedure on following page.
- Keep track of the grade of hydraulic fluid in the pump reservoir. Never mix two different grades of fluid.
- Check pump box cover seal. Replace seal if damaged.
- Check hoses and fittings for chaffing and fluid leaks. Replace if necessary.
- Check electrical wiring for chaffing and make sure wiring connections are tight and free of corrosion. **MAXON** recommends using dielectric grease on all electrical connections.
- Check that all **WARNING** and **instruction decals** are in place and legible.
- Check that all roll pins are in place and protrude evenly from both sides of hinge pin collar. Replace roll pins if necessary.
- Check each end of the two platform chains to make sure they are fastened properly.
- Check for worn out links on each of the two platform chains.
- Pump EP synthetic grease in fitting on 2 platform pivots and roller axels on 4 tandems.

### **CAUTION**

**Damaged cylinder seals and contaminated hydraulic fluid can result from painting the polished portion of the cylinder rod. To prevent damage, protect the exposed polished portion of the cylinder rod while painting.**

- Check for rust and oily surfaces on Liftgate. If there is rust or oil on the Liftgate, clean it off. Touch up the paint where bare metal is showing. **MAXON** recommends using the aluminum primer touchup paint kit, P/N 908134-01.

# PERIODIC MAINTENANCE

## PERIODIC MAINTENANCE CHECKS - Continued

### BMRA LUBRICATION DIAGRAM

**NOTE:** Lube fittings are shown for the tandem roller axels on the LH runner and the pivot on the LH side of platform. There are also lube fittings on the tandem roller axels for the RH runner and the pivot on the RH side of the platform. Refer to the **PERIODIC MAINTENANCE CHECKS** and **PREVENTATIVE MAINTENANCE CHECKLIST** for the recommended grease and maintenance interval.

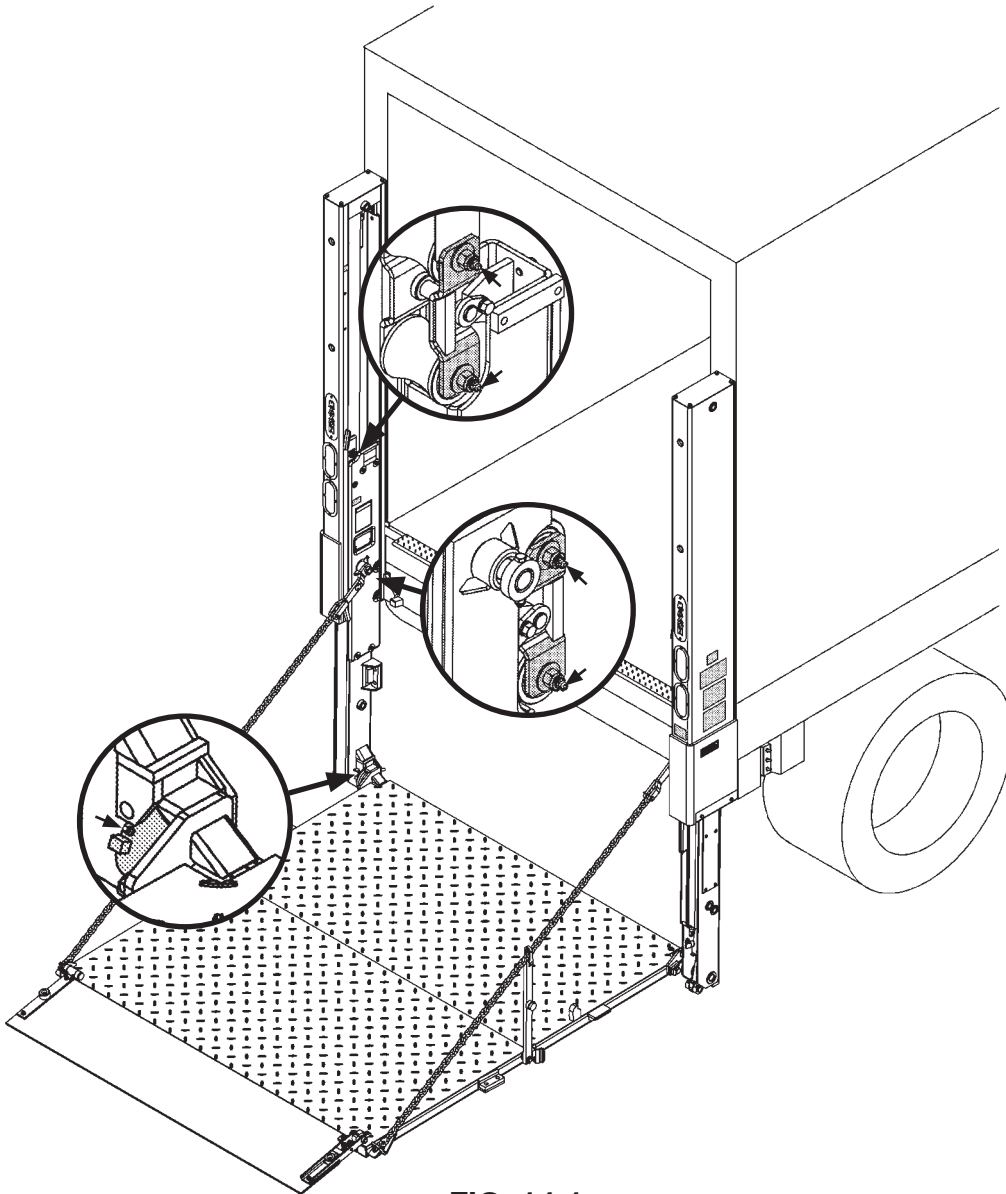


FIG. 14-1

**MAXON**<sup>®</sup>

11921 Slauson Ave. Santa Fe Springs, CA. 90670 (800) 227-4116 FAX (888) 771-7713