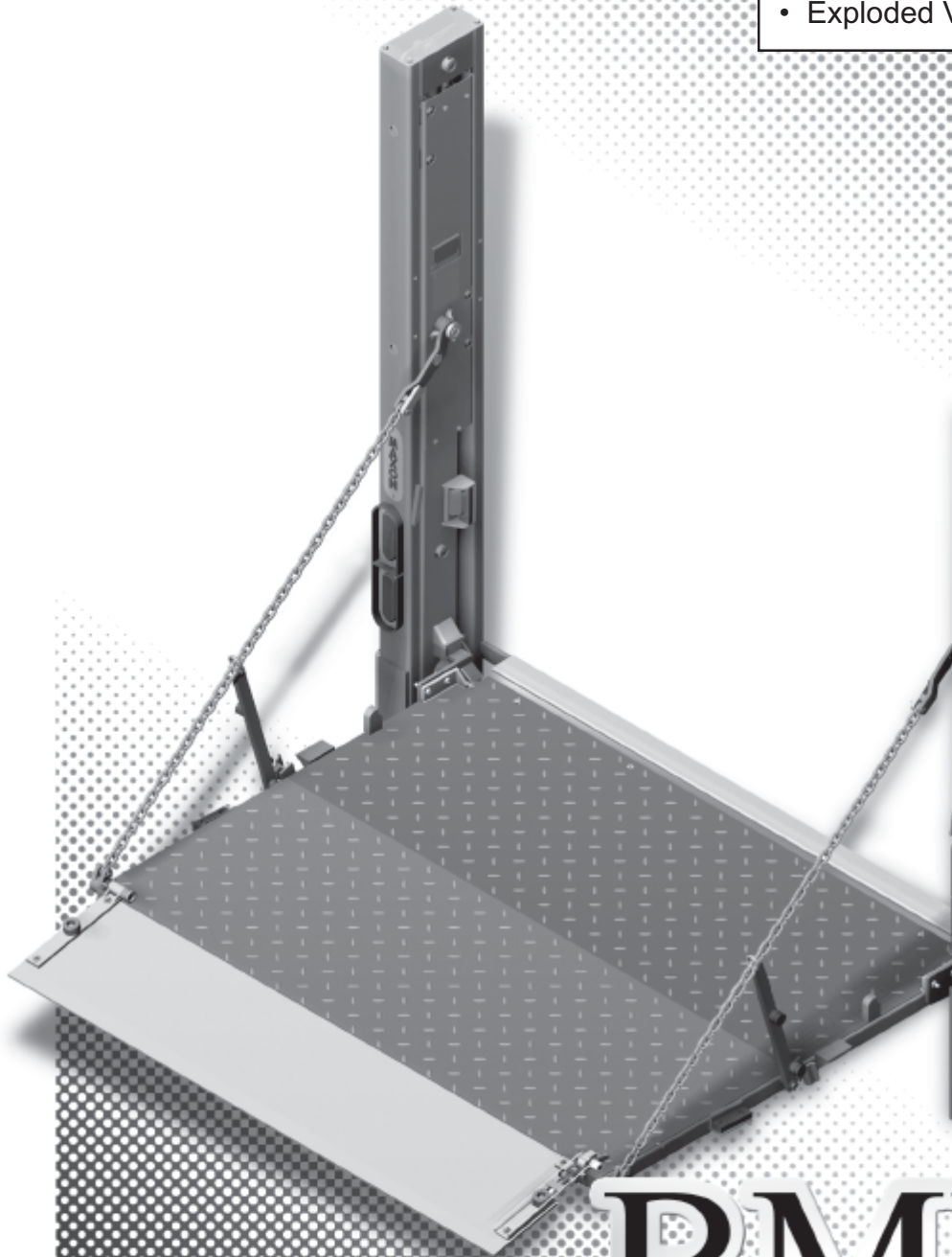


M-00-28
REV. B
JUNE 2009

Parts Manual Contains:

- Warranty Information
- Warnings
- Parts Ordering Information
- Exploded View Parts Breakdowns



MAXON[®]
LIFT CORP.

BMR-A
PARTS MANUAL

© MAXON Lift Corp. 2009

MAXON[®]

LIFT CORP.

11921 Slauson Ave.
Santa Fe Springs, CA. 90670

CUSTOMER SERVICE:

TELEPHONE (562) 464-0099 TOLL FREE (800) 227-4116

FAX: (888) 771-7713

NOTE: For latest version Manuals (and replacements), download
Manuals from Maxon's website at www.maxonlift.com.

WARRANTY/ RMA POLICY & PROCEDURE

LIFTGATE WARRANTY

Term of Warranty: 2 Years from Date of In-Service (In service date cannot exceed 3 months from ship date.)
Type of Warranty: Full Parts and Labor

This warranty shall not apply unless the product is installed, operated and maintained in accordance with MAXON Lift's specifications as set forth in MAXON Lift's Installation, Operation and Maintenance manuals. This warranty does not cover normal wear, maintenance or adjustments, damage or malfunction caused by improper handling, installation, abuse, misuse, negligence, or carelessness of operation. In addition, this warranty does not cover equipment that has had unauthorized modifications or alterations made to the product.

MAXON agrees to replace any components which are found to be defective during the first 2 years of service, and will reimburse for labor based on MAXON's Liftgate Warranty Flat Rate Schedule. (Copy of the Flat Rate is available at www.maxonlift.com.)

All warranty repairs must be performed by an authorized MAXON warranty facility. For any repairs that may exceed \$500, including parts and labor, MAXON's Technical Service Department must be notified and an "Authorization Number" obtained.

All claims for warranty must be received within 30 Days of the repair date, and include the following information:

1. Liftgate Model Number and Serial Number
2. The End User must be referenced on the claim
3. Detailed Description of Problem
4. Corrective Action Taken, and Date of Repair
5. Parts used for Repair, Including MAXON Part Number(s)
6. MAXON R.M.A. # and/or Authorization # if applicable (see below)
7. Person contacted at MAXON if applicable
8. Claim must show detailed information i.e. Labor rate and hours of work performed

Warranty claims can also be placed on-line at www.maxonlift.com. On-line claims will be given priority processing.

All claims for warranty will be denied if paperwork has not been received or claim submitted via Maxon website for processing by MAXON's Warranty Department within 30 days of repair date.

All components may be subject to return for inspection, prior to the claim being processed. MAXON products may not be returned without prior written approval from MAXON's Technical Service Department. Returns must be accompanied by a copy of the original invoice or reference with original invoice number and are subject to a credit deduction to cover handling charges and any necessary reconditioning costs. **Unauthorized returns will be refused and will become the responsibility of the returnee.**

Any goods being returned to MAXON Lift must be pre-approved for return, and have the R.M.A. number written on the outside of the package in plain view, and returned freight prepaid. All returns are subject to a 15% handling charge if not accompanied by a detailed packing list. Returned parts are subject to no credit and returned back to the customer.

Defective Parts requested for return must be returned within 30 days of the claim date for consideration to:

MAXON Lift Corp.
16205 Distribution Way, Cerritos, CA 90703
Attn: RMA# _____

MAXON's warranty policy does not include the reimbursement for travel time, towing, vehicle rental, service calls, oil, batteries or loss of income due to downtime. Fabrication or use of non Maxon parts, which are available from MAXON, are also not covered.

MAXON's Flat Rate Labor Schedule takes into consideration the time required for diagnosis of a problem.

All Liftgates returned are subject to inspection and a 15% restocking fee. Any returned Liftgates or components that have been installed or not returned in new condition will be subject to an additional reworking charge which will be based upon the labor and material cost required to return the Liftgate or component to new condition.

PURCHASE PART WARRANTY

Term of Warranty: 1 Year from Date of Purchase.

Type of Warranty: Part replacement only

MAXON will guarantee all returned genuine MAXON replacement parts upon receipt and inspection of parts and original invoice.

All warranty replacements parts will be sent out via ground freight. If a Rush Shipment is requested all freight charges will be billed to the requesting party.

TABLE OF CONTENTS

ORDERING PARTS	PAGE 6
WARNINGS	PAGE 6
BMR-A LIFTGATE	PAGE 7
MAIN FRAME	PAGE 8
PLATFORM ATTACHING HARDWARE	PAGE 10
CONNECTOR BAR ASSEMBLY	PAGE 11
R.H. COLUMN ASSEMBLY	PAGE 12
R.H. RUNNER ASSEMBLY	PAGE 14
SPRING GUARD MOUNTING	PAGE 16
TANDEM ASSEMBLY	PAGE 17
L.H. COLUMN ASSEMBLY	PAGE 18
L.H. RUNNER ASSEMBLY	PAGE 20
PLATFORM, FLIPOVER, AND CHAIN ASSEMBLY (STEEL)	PAGE 22
ALUMINUM RETENTION RAMP ASSEMBLY (FOR STEEL PLATFORM ASSEMBLIES)	PAGE 24
L.H. CHAIN ASSEMBLY (FOR STEEL PLATFORM)	PAGE 26
R.H. CHAIN ASSEMBLY (FOR STEEL PLATFORM)	PAGE 27
PLATFORM, FLIPOVER, AND CHAIN ASSEMBLY (ALUMINUM)	PAGE 28
PLATFORM & CHAIN ASSY W/FIXED RAMP (ALUMINUM)	PAGE 30
PLATFORM ASSEMBLY (ALUMINUM)	PAGE 32
PLATFORM FLIPOVER (ALUMINUM - NO RAMP)	PAGE 33
PLATFORM FLIPOVER W/FIXED RAMP (ALUMINUM)	PAGE 34

TABLE OF CONTENTS - Continued

ALUMINUM RETENTION RAMP ASSEMBLY (FOR ALUMINUM PLATFORM ASSEMBLIES)	PAGE 35
L.H. CHAIN ASSEMBLY (FOR ALUMINUM PLATFORM)	PAGE 36
R.H. CHAIN ASSEMBLY (FOR ALUMINUM PLATFORM)	PAGE 37
BATTERY BOX & HARDWARE	PAGE 38
HYDRAULIC COMPONENTS SECTION	PAGE 41
DUAL PUMP ASSEMBLY, POWER DOWN	PAGE 42
HYDRAULIC COMPONENTS, POWER DOWN	PAGE 44
SINGLE PUMP ASSEMBLY, POWER DOWN	PAGE 46
PUMP/MOTOR, POWER DOWN	PAGE 48
PUMP/MOTOR, GRAVITY DOWN	PAGE 49
DUAL PUMP ASSEMBLY, GRAVITY DOWN	PAGE 50
HYDRAULIC COMPONENTS, GRAVITY DOWN	PAGE 52
SINGLE PUMP ASSEMBLY, GRAVITY DOWN	PAGE 54
ELECTRICAL COMPONENTS SECTION	PAGE 57
ELECTRICAL COMPONENTS	PAGE 58
ELECTRICAL COMPONENTS - DUAL PUMP BOX	PAGE 60
ELECTRICAL COMPONENTS - SINGLE PUMP BOX	PAGE 61
ELECTRICAL COMPONENTS - BATTERY BOX	PAGE 62

Comply with the following WARNINGS while maintaining Liftgates.

⚠ WARNING

- Read and understand the instructions in **Maintenance Manual M-00-26** before performing maintenance on the Liftgate.
- **Disconnect Liftgate power cable from battery** before repairing or servicing Liftgate.
- Wear appropriate safety equipment such as protective eyeglasses, faceshield and clothing while performing maintenance on the Liftgate and handling the battery. Debris from drilling and contact with battery acid may injure unprotected eyes and skin.
- Be careful working by an automotive type battery. Make sure the work area is well ventilated and there are no flames or sparks near the battery. Never lay objects on the battery that can short the terminals together. If battery acid gets in your eyes, immediately seek first aid. If acid gets on your skin, immediately wash it off with soap and water.
- Never perform unauthorized modifications on the Liftgate. Modifications may result in early failure of the Liftgate and may create hazards for Liftgate operators and maintainers.

ORDERING PARTS

- Use only **Maxon Authorized Parts** for replacement parts. Order replacement parts from:

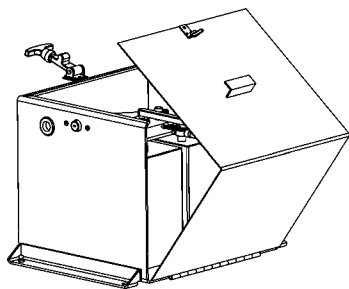
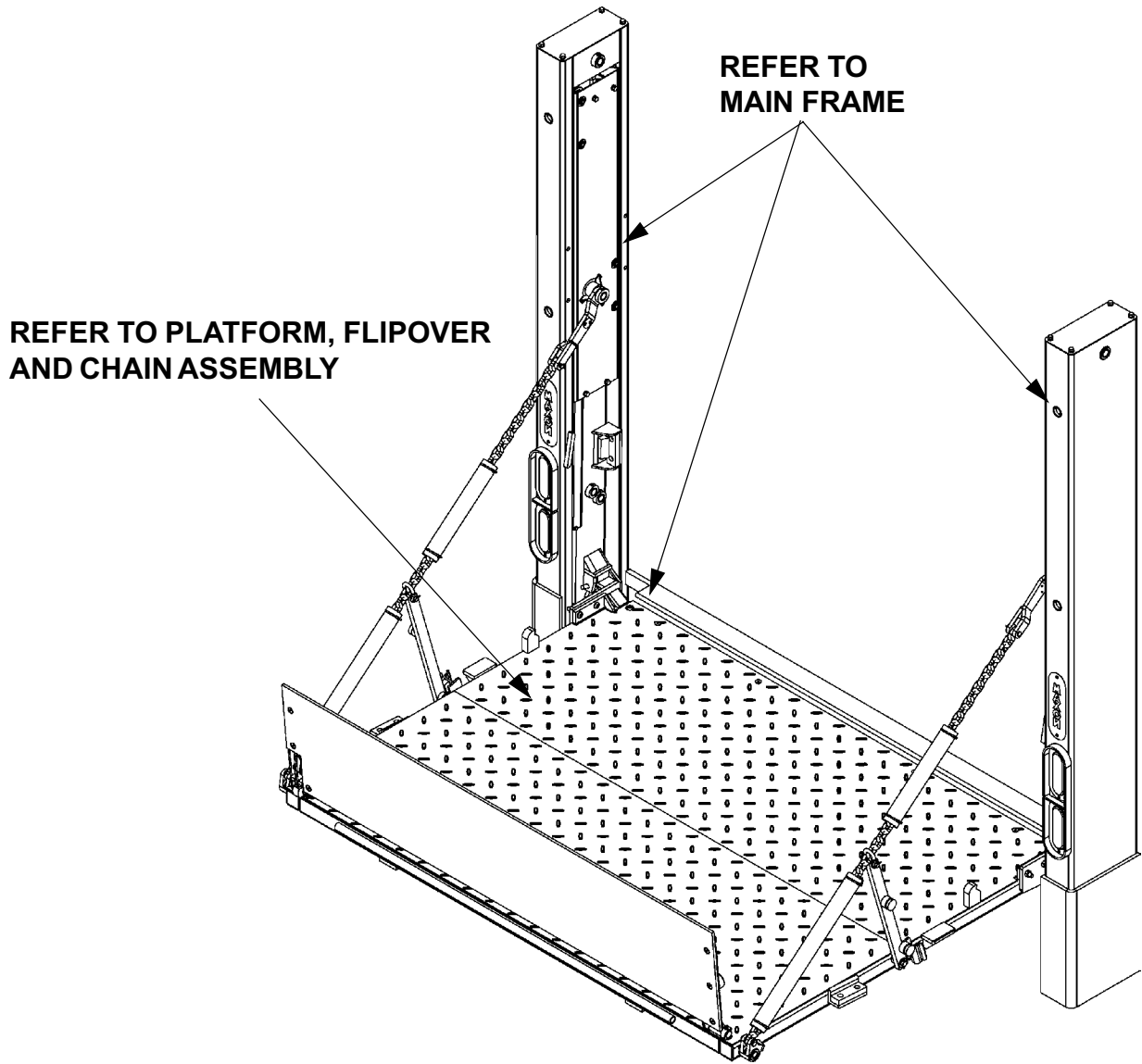
MAXON LIFT CORP. Customer Service
11921 Slauson Ave., Santa Fe Springs, CA 90670
Phone: (800) 227-4116

- To order parts by e-mail, submit orders to **cservice@maxonlift.com**.
- Provide Liftgate model and serial number information with your parts order.
- Need Technical Support? Send requests by e-mail to **technicalsupport@maxonlift.com**.
- For latest version Manuals (and replacements), download Manuals from Maxon's website at **www.maxonlift.com**.

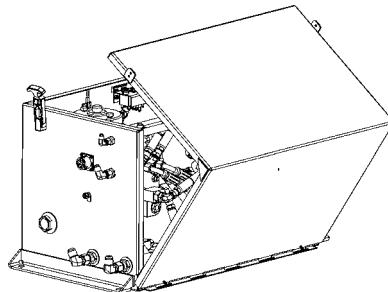
MAXON[®]

11921 Slauson Ave. Santa Fe Springs, CA. 90670 (800) 227-4116 FAX (888) 771-7713

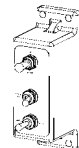
BMR-A LIFTGATE



BATTERY BOX
(REFER TO ELECTRICAL COMPONENTS)



PUMP BOX
(REFER TO HYDRAULIC COMPONENTS)



CONTROL SWITCH
(REFER TO ELECTRICAL COMPONENTS)

MAIN FRAME

BMR-A 35/44 MAIN FRAME 96" WIDE P/N 280100-01

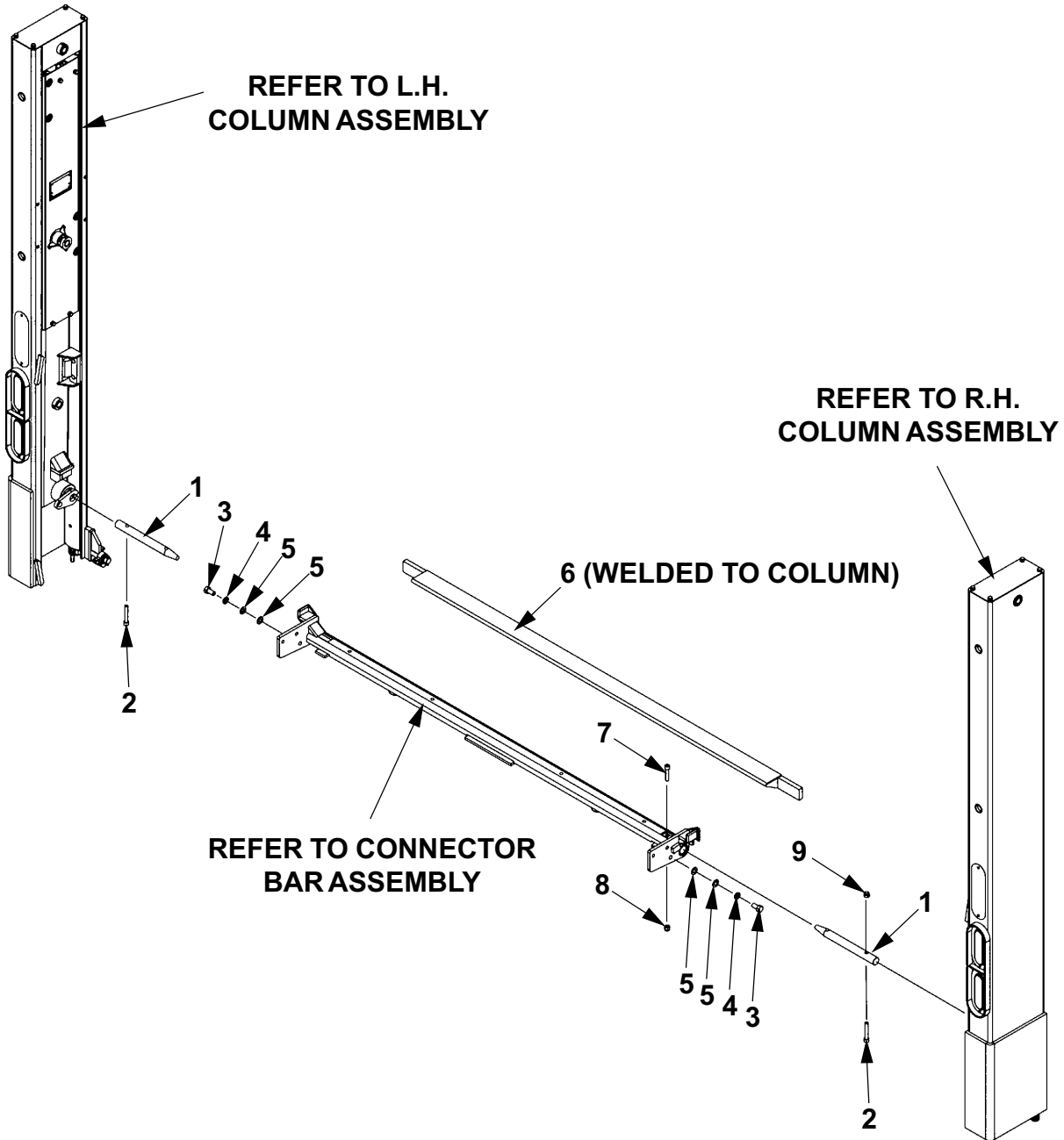
BMR-A 35/44 MAIN FRAME 102" WIDE P/N 280100-02

BMR-A 55/66 MAIN FRAME 96" WIDE P/N 280100-03

BMR-A 55/66 MAIN FRAME 102" WIDE P/N 280100-04

MAXON[®]

11921 Slauson Ave. Santa Fe Springs, CA. 90670 (800) 227-4116 FAX (888) 771-7713

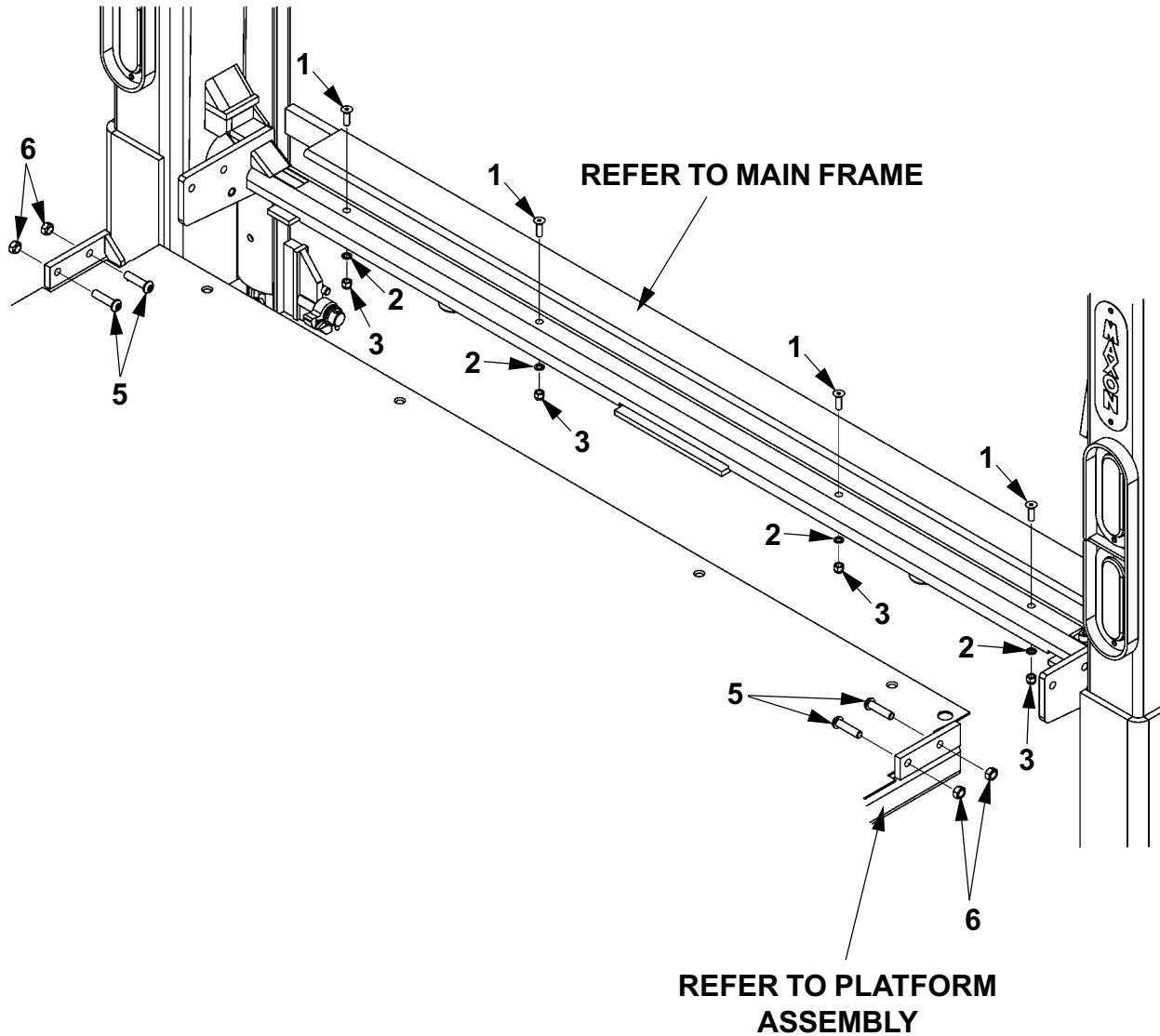


MAIN FRAME

ITEM	QTY.	PART NO.	DESCRIPTION
1	2	280103	PIN, 13" LG. STAINLESS STEEL
2	2	900037-11	SOCKET HEAD SCREW, 1/2"-20 x 3"
3	2	900055-1	HEX HEAD SCREW, 5/8"-11 x 1-1/4"
4	2	902011-8	LOCK WASHER, 5/8"
5	4	902000-18	FLAT WASHER, 5/8"
6	1	263443-01	EXTENSION PLATE (96" WIDE)
		263443-02	EXTENSION PLATE (102" WIDE)
7	1	900036-10	SOCKET HEAD SCREW, 1/2"-13 x 2-1/4"
8	1	901010	NYLON LOCK NUT, 1/2"-13
9	1	901008	NYLON LOCK NUT, 1/2"-20

MAXON® 11921 Slauson Ave. Santa Fe Springs, CA. 90670 (800) 227-4116 FAX (888) 771-7713

PLATFORM ATTACHING HARDWARE



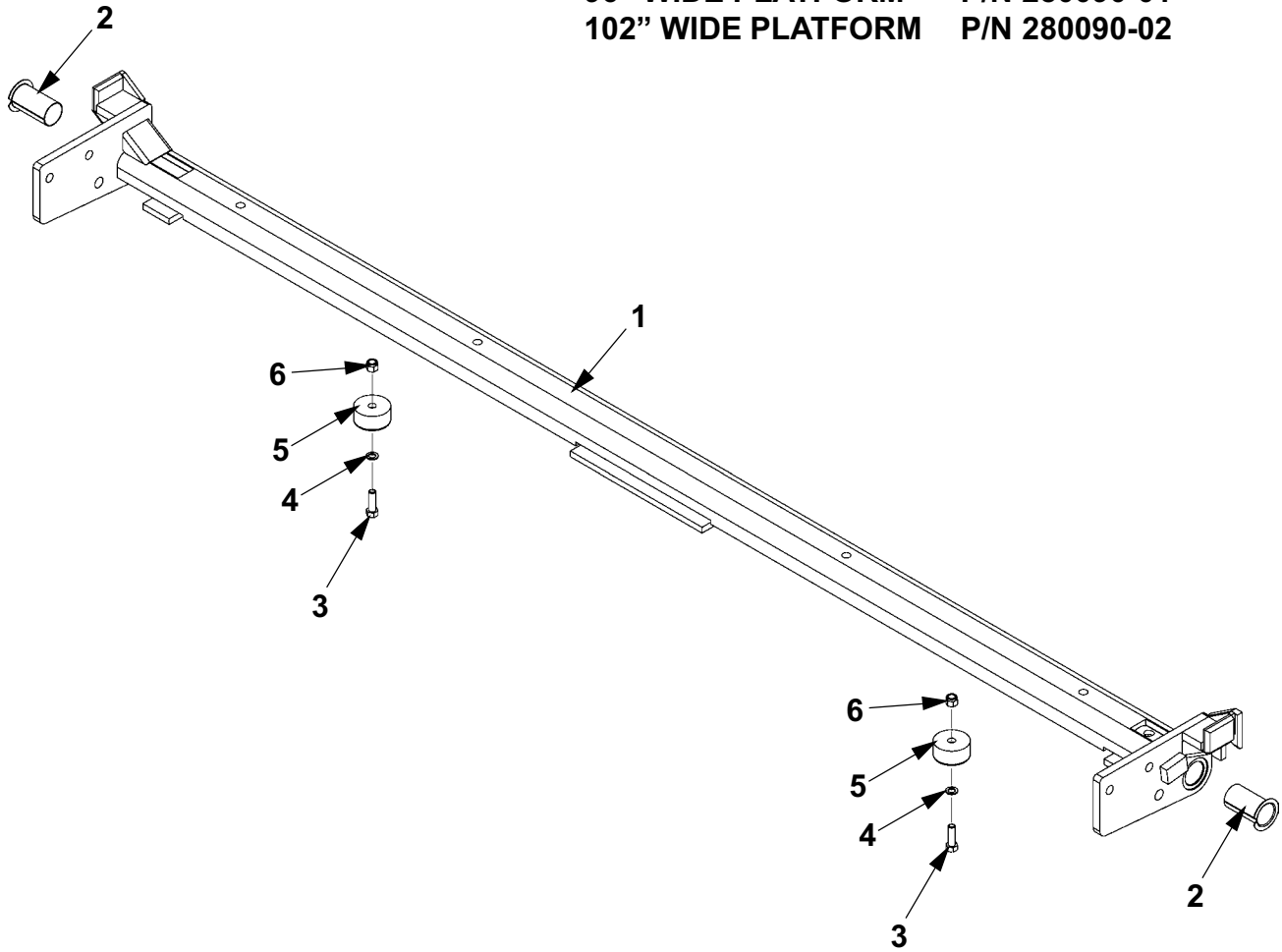
ITEM	QTY.	PART NO.	DESCRIPTION
1	4	900040-5	SOCKET HEAD SCREW, 3/8"-16 x 1-1/4"
2	4	902000-10	FLAT WASHER, 3/8"
3	4	901002	NYLON LOCK NUT
5	4	253777	SOCKET HEAD SCREW, 1/2"-13 x 2"
6	4	040066	NYLON LOCK NUT

MAXON®

11921 Slauson Ave. Santa Fe Springs, CA. 90670 (800) 227-4116 FAX (888) 771-7713

CONNECTOR BAR ASSEMBLY

96" WIDE PLATFORM P/N 280090-01
 102" WIDE PLATFORM P/N 280090-02

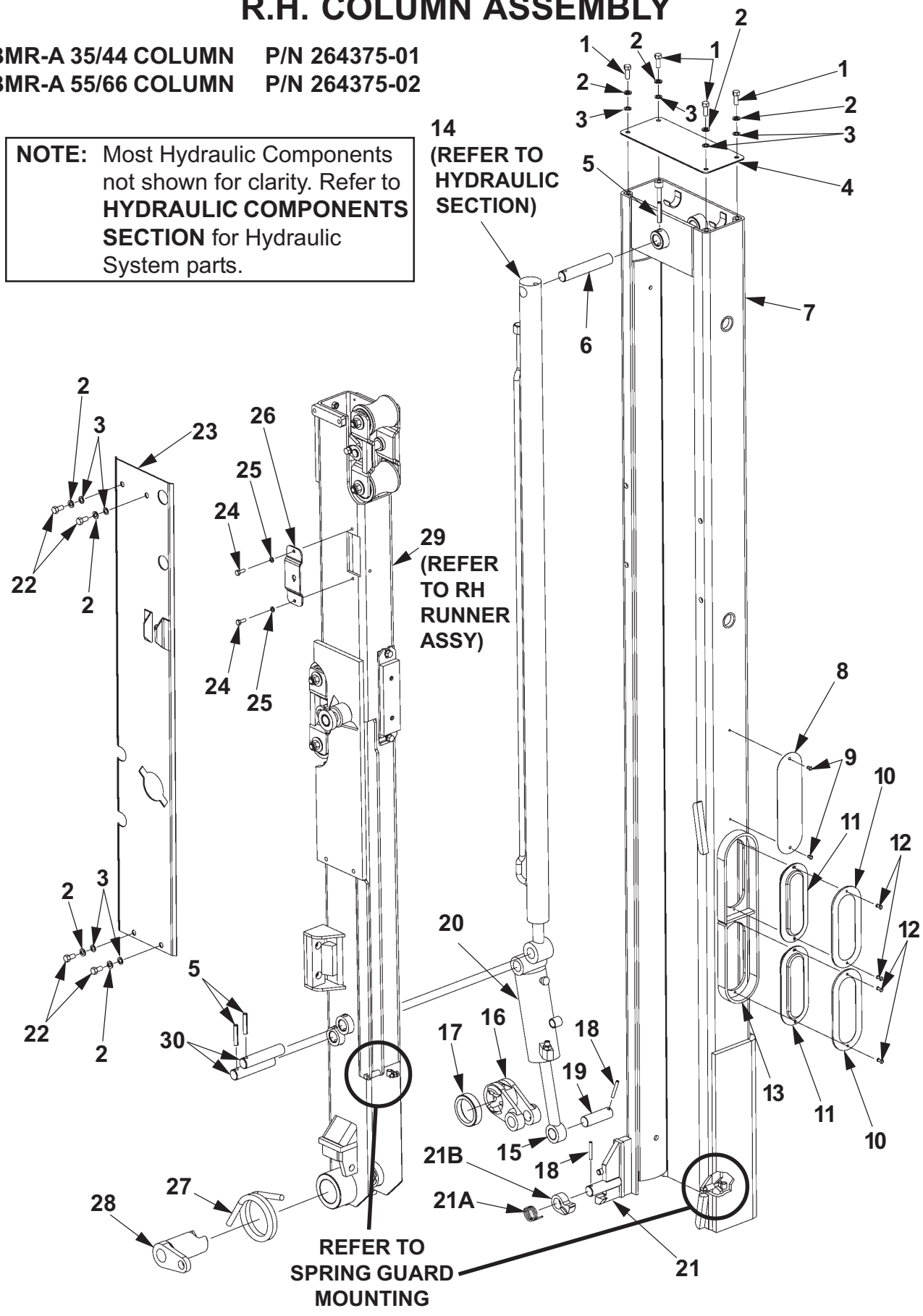


ITEM	QTY.	PART NO.	DESCRIPTION
1	1	264376-01	CONNECTOR BAR 96"
		264376-02	CONNECTOR BAR 102"
2	2	905200	BEARING
3	2	900014-5	HEX HEAD BOLT, 3/8"-16 x 1-1/4"
4	2	902000-10	FLAT WASHER, 3/8"
5	2	253516	RUBBER BUMPER
6	2	901002	NYLON LOCK NUT

R.H. COLUMN ASSEMBLY

BMR-A 35/44 COLUMN P/N 264375-01
 BMR-A 55/66 COLUMN P/N 264375-02

NOTE: Most Hydraulic Components not shown for clarity. Refer to **HYDRAULIC COMPONENTS SECTION** for Hydraulic System parts.



MAXON[®]
 11921 Slauson Ave. Santa Fe Springs, CA. 90670 (800) 227-4116 FAX (888) 771-7713

R.H. COLUMN ASSEMBLY

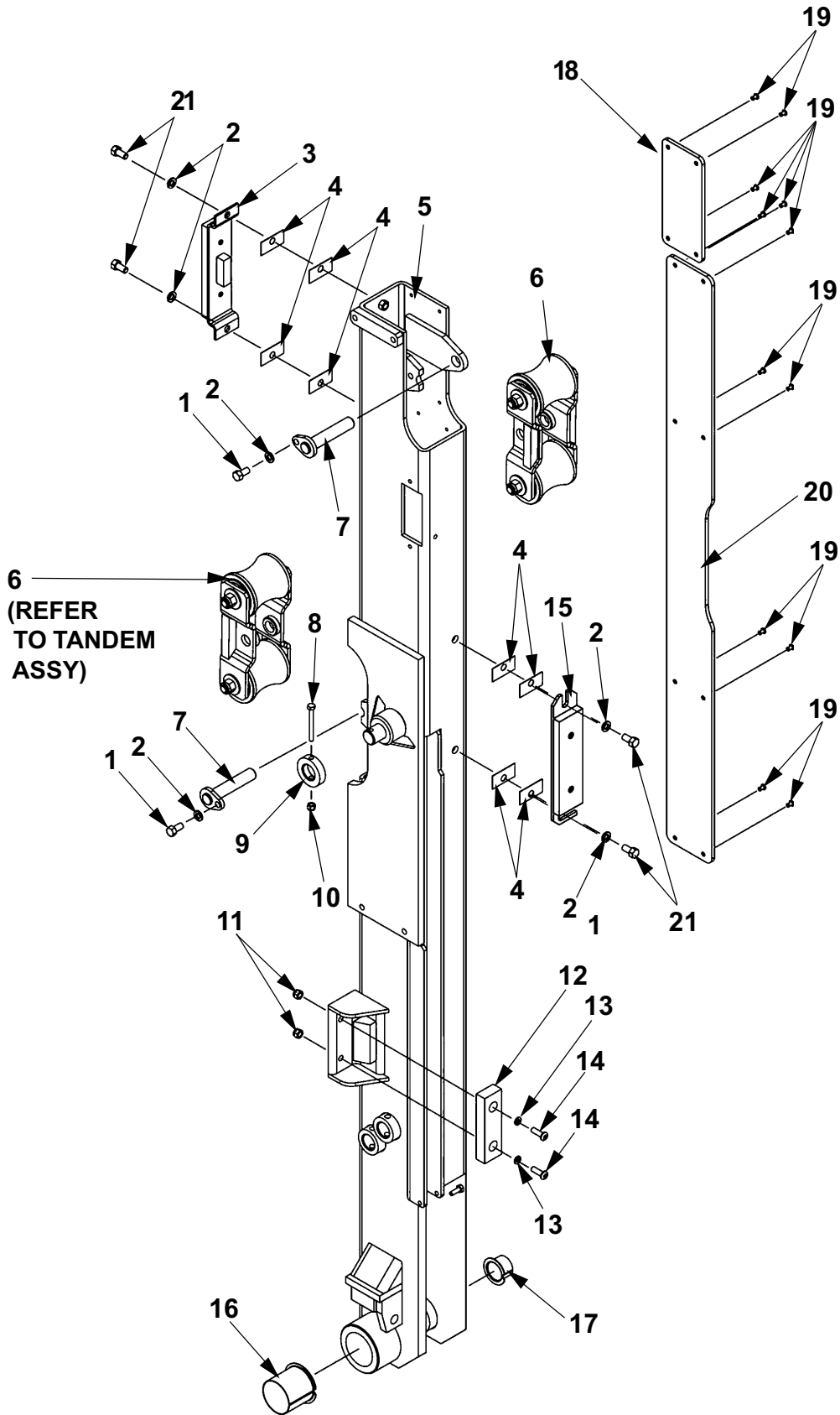
ITEM	QTY.	PART NO.	DESCRIPTION
1	4	900014-4	HEX HEAD BOLT, 3/8"-16 x 1"
2	8	902011-4	LOCK WASHER, 3/8"
3	8	902000-10	FLAT WASHER, 3/8"
4	1	263114	COLUMN TOP COVER
5	3	221416	ROLL PIN
6	1	263457	PIN, 5-7/8"
7	1	264373	RH COLUMN
8	1	260478	MAXON PLATE
9	2	207644	POP RMET, 3/16" x .40"
10	2	264132	SECURITY RING
11	2	263903	LIGHT, STOP/TAIL/TURN LED
12	4	904005-2	BLIND RMET
13	1	264094	LIGHT GUARD
14	1	-	CYLINDER (SEE HYDRAULIC SECTION)
15	1	253657	BEARING, SELF LUBE
16	1	260517	COUPLING INSIDE ASSEMBLY
17	1	253695	BUSHING, 3/4"
18	1	905033-4	ROLL PIN
19	1	253772	PIN, 3-3/32"
20	1	264103	CLOSING CYLINDER
21	1	260357-02	BOTTOM STOP ASSEMBLY, RH
21A	1	260783-02	RH ROTATING BLOCK
21B	1	260404-02	TORSION SPRING
22	4	900064-2	BUTTON HD SCREW, 3/8"-16 x 5/8"
23	1	264395	COLUMN SIDE COVER
24	2	900000-3	HEX HEAD BOLT, 1/4"-20 x 3/4"
25	2	902011-2	LOCK WASHER, 1/4"
26	1	253694	SWITCH PLATE
27	1	260179	TORSION SPRING
28	1	260516-01	COUPLING OUTSIDE ASSEMBLY
29	1	264374	RH RUNNER ASSEMBLY
30	2	253590	PIN, 1" O.D. X 4-3/4" LG.

MAXON[®] 11921 Slauson Ave. Santa Fe Springs, CA. 90670 (800) 227-4116 FAX (888) 771-7713

R.H. RUNNER ASSEMBLY

P/N 264374

MAXON[®] 11921 Slauson Ave. Santa Fe Springs, CA. 90670 (800) 227-4116 FAX (888) 771-7713



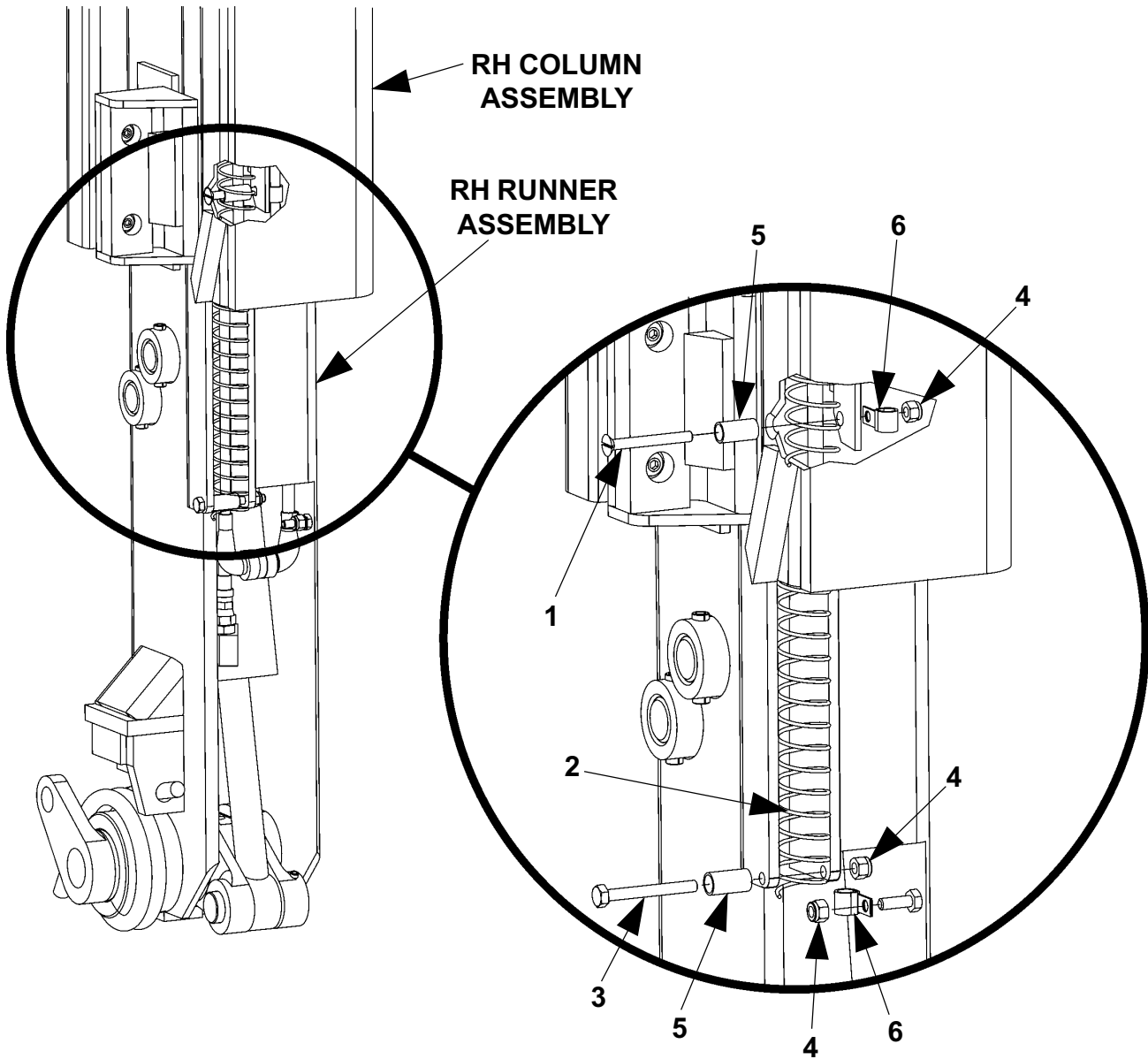
R.H. RUNNER ASSEMBLY P/N 264374

ITEM	QTY.	PART NO.	DESCRIPTION
1	2	900014-3	HEX HEAD BOLT, 3/8"-16 x 3/4"
2	6	902011-4	LOCK WASHER, 3/8"
3	1	263221	UPPER PAD SUPPORT ASSEMBLY
4	8	263030	SPACER
5	1	264372	RH RUNNER
6	2	280055	TANDEM ASSEMBLY
7	2	280067	ARM WELDMENT
8	1	900000-10	BOLT, 1/4-20 x 2-1/2" GR8
9	1	253615	PIN COLLAR, 1/2"
10	1	901000	NYLON LOCK NUT
11	2	901001	NYLON LOCK NUT
12	1	225278-02	BUMPER
13	2	902000-7	FLAT WASHER, 5/16"
14	2	900001-4	BUTTON HEAD SCREW, 5/16"-18 x 1-1/4"
15	1	263225	LOWER PAD SUPPORT ASSEMBLY
16	1	905198	BEARING, SELF LUBE
17	1	253595	BEARING, SELF LUBE
18	1	253544	PAD
19	12	207644	POP RMET, 3/16" x 3/8"
20	1	253543	PAD
21	4	900014-4	HEX HEAD BOLT, 3/8"-16 x 1"

MAXON[®] 11921 Slauson Ave. Santa Fe Springs, CA. 90670 (800) 227-4116 FAX (888) 771-7713

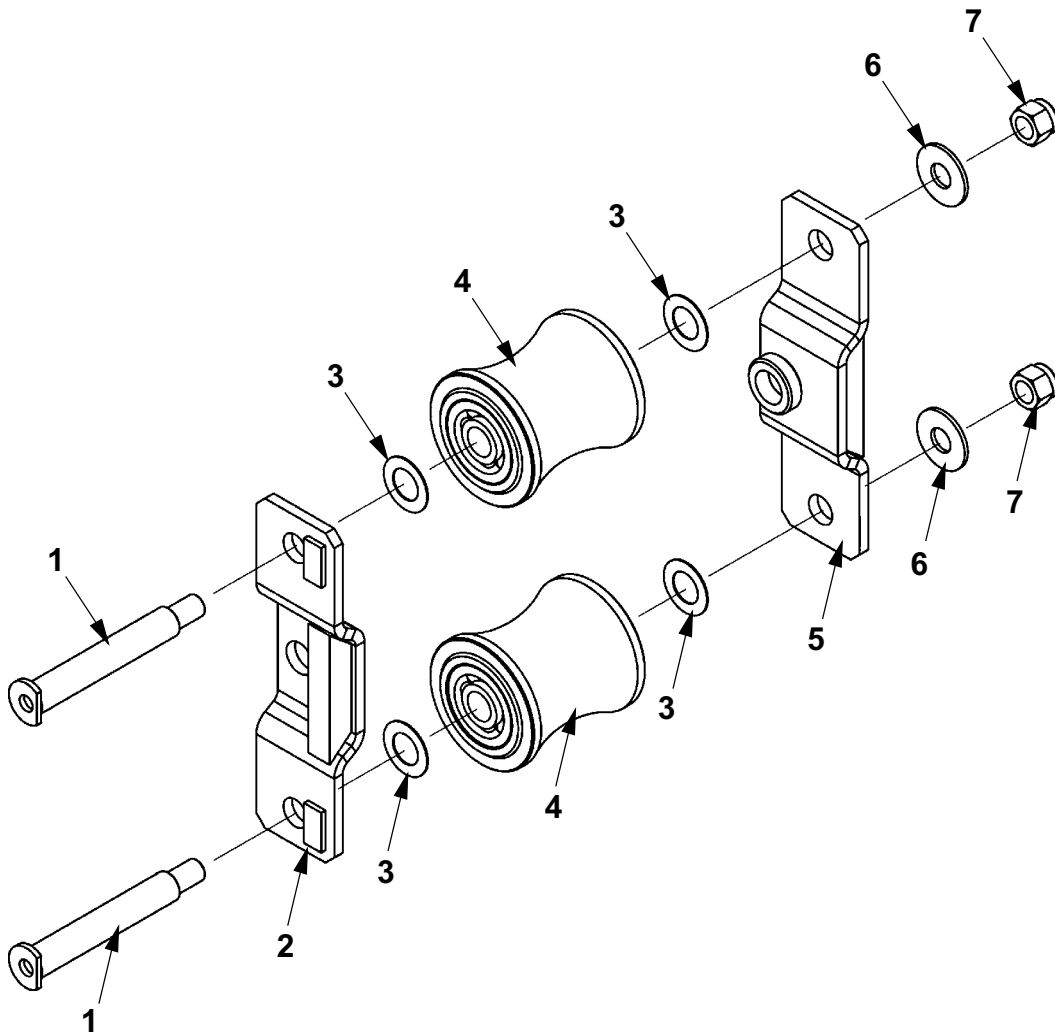
SPRING GUARD MOUNTING

MAXON® 11921 Slauson Ave. Santa Fe Springs, CA. 90670 (800) 227-4116 FAX (888) 771-7713



ITEM	QTY.	PART NO.	DESCRIPTION
1	1	260299	FLAT HEAD SCREW, 1/4"-20 x 2-1/2" LG.
2	1	253603-01	SPRING GUARD
3	1	900000-9	HEX HEAD BOLT, GR 8, 1/4"-20 x 2-1/4" LG.
4	3	901000	NYLON LOCK NUT
5	2	253621	ROUND TUBE 1/2"DIA. x 15/16" LG.
6	2	224006	CLAMP, #6 RUBBER LOOM

TANDEM ASSEMBLY P/N 280055

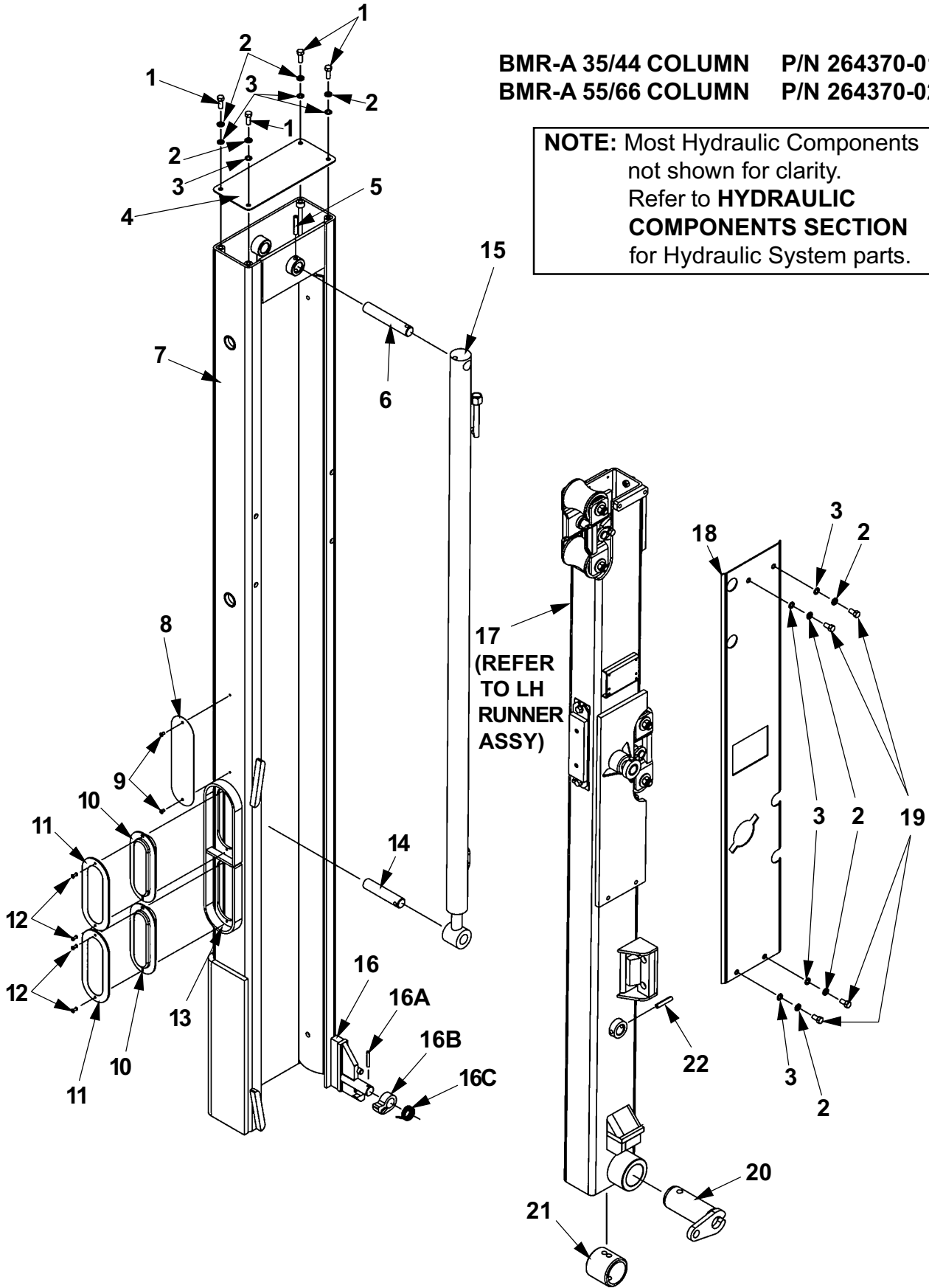


ITEM	QTY.	PART NO.	DESCRIPTION
1	2	253509-01	ROLLER AXLE
2	1	280064	ROLLER BRACKET
3	4	261182	FLAT WASHER, 1-1/4"
4	2	253550-100	ROLLER
5	1	280063	ROLLER BRACKET
6	2	902014	FLAT WASHER, 1-3/8"
7	2	901008	NYLON LOCK NUT

L.H. COLUMN ASSEMBLY

BMR-A 35/44 COLUMN P/N 264370-01
 BMR-A 55/66 COLUMN P/N 264370-02

NOTE: Most Hydraulic Components not shown for clarity. Refer to **HYDRAULIC COMPONENTS SECTION** for Hydraulic System parts.



MAXON[®] 11921 Slauson Ave. Santa Fe Springs, CA. 90670 (800) 227-4116 FAX (888) 771-7713

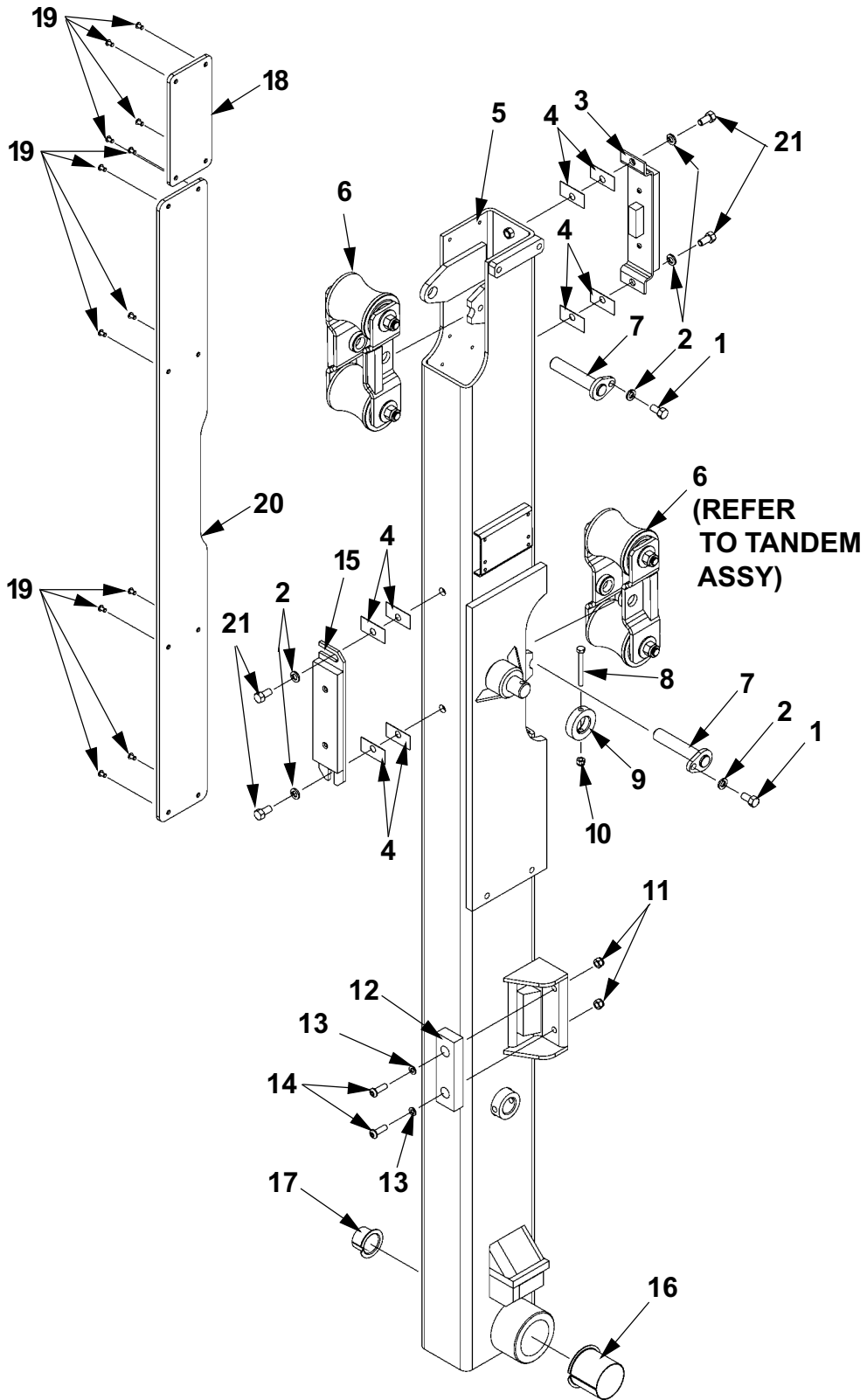
L.H. COLUMN ASSEMBLY

ITEM	QTY.	PART NO.	DESCRIPTION
1	4	900014-4	HEX HEAD BOLT, 3/8"-16 x 1"
2	8	902011-4	LOCK WASHER, 3/8"
3	8	902000-10	FLAT WASHER, 3/8"
4	1	263114	COLUMN TOP COVER
5	1	221416	ROLL PIN
6	1	263457	PIN, 5-7/8"
7	1	264368	LH COLUMN
8	1	260478	MAXON PLATE
9	2	207644	POP RIVET, 3/16" x .40"
10	2	263903	LIGHT, STOP/TAIL/TURN LED
11	2	264132	SECURITY RING
12	4	904005-2	BLIND RIVET
13	1	264094	LIGHT GUARD
14	1	253590	PIN, 4-3/4"
15	1	-	CYLINDER (SEE HYDRAULIC SECTION)
16	1	260357-01	BOTTOM STOP ASSEMBLY, LH
16A	1	905033-5	ROLL PIN
16B	1	260783-01	LH ROTATING BLOCK
16C	1	260404-01	TORSION SPRING
17	1	264369	LH RUNNER ASSEMBLY
18	1	264393	COLUMN SIDE COVER
19	4	900064-2	BUTTON HEAD SCREW, 3/8"-16 x 5/8"
20	1	253579	PIN COLLAR WELDMENT
21	1	253696	PIN COLLAR, 2-3/4"
22	1	221416	ROLL PIN

MAXON[®] 11921 Slauson Ave. Santa Fe Springs, CA. 90670 (800) 227-4116 FAX (888) 771-7713

L.H. RUNNER ASSEMBLY

P/N 264369



MAXON[®] 11921 Slauson Ave. Santa Fe Springs, CA. 90670 (800) 227-4116 FAX (888) 771-7713

L.H. RUNNER ASSEMBLY P/N 264369

ITEM	QTY.	PART NO.	DESCRIPTION
1	2	900014-3	HEX HEAD BOLT, 3/8"-16 x 3/4" GR8
2	6	902011-4	LOCK WASHER, 3/8"
3	1	263221	UPPER PAD SUPPORT ASSEMBLY
4	8	263030	SPACER
5	1	264367	LH RUNNER
6	2	280055	TANDEM ASSEMBLY
7	2	280067	ARM WELDMENT
8	1	900000-10	HEX HEAD BOLT, 1/4"-20 x 2-1/2"
9	1	253615	PIN COLLAR, 1/2"
10	1	901000	NYLON LOCK NUT
11	2	901001	NYLON LOCK NUT
12	1	225278-02	BUMPER
13	2	902000-7	FLAT WASHER, 5/16"
14	2	900001-4	BUTTON HEAD SCREW, 5/16"-18 x 1-1/4"
15	1	263225	LOWER PAD SUPPORT ASSEMBLY
16	1	905198	BEARING, SELF LUBE
17	1	253595	BEARING, SELF LUBE
18	1	253544	PAD
19	12	207644	POP RIVET, 3/16" x 3/8"
20	1	253543	PAD
21	4	900014-4	HEX HEAD BOLT, 3/8"-16 x 1" GR8

MAXON[®] 11921 Slauson Ave. Santa Fe Springs, CA. 90670 (800) 227-4116 FAX (888) 771-7713

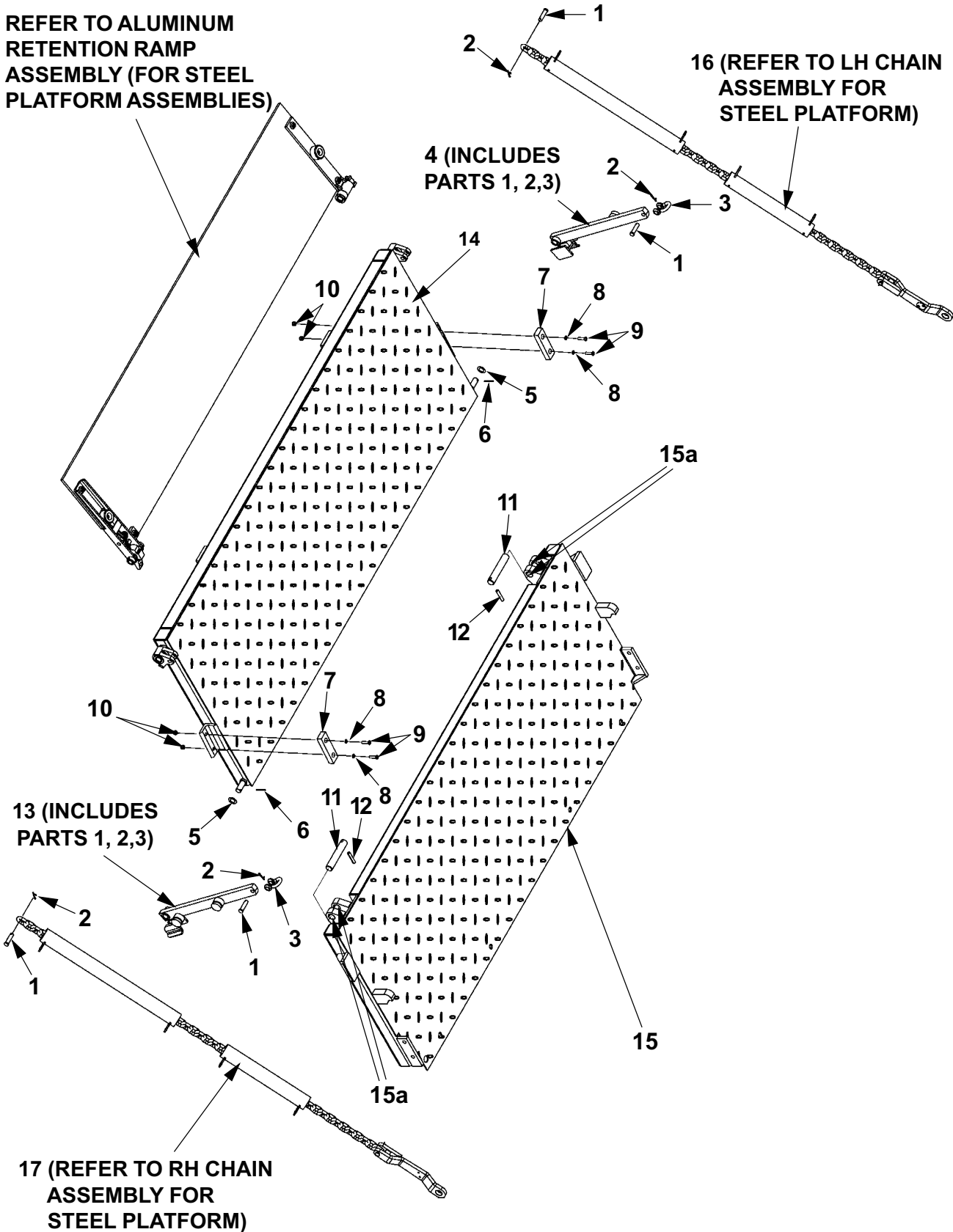
PLATFORM, FLIPOVER, AND CHAIN ASSEMBLY (STEEL)

MAXON[®] 11921 Slauson Ave. Santa Fe Springs, CA. 90670 (800) 227-4116 FAX (888) 771-7713

REFER TO ALUMINUM
RETENTION RAMP
ASSEMBLY (FOR STEEL
PLATFORM ASSEMBLIES)

4 (INCLUDES
PARTS 1, 2, 3)

16 (REFER TO LH CHAIN
ASSEMBLY FOR
STEEL PLATFORM)



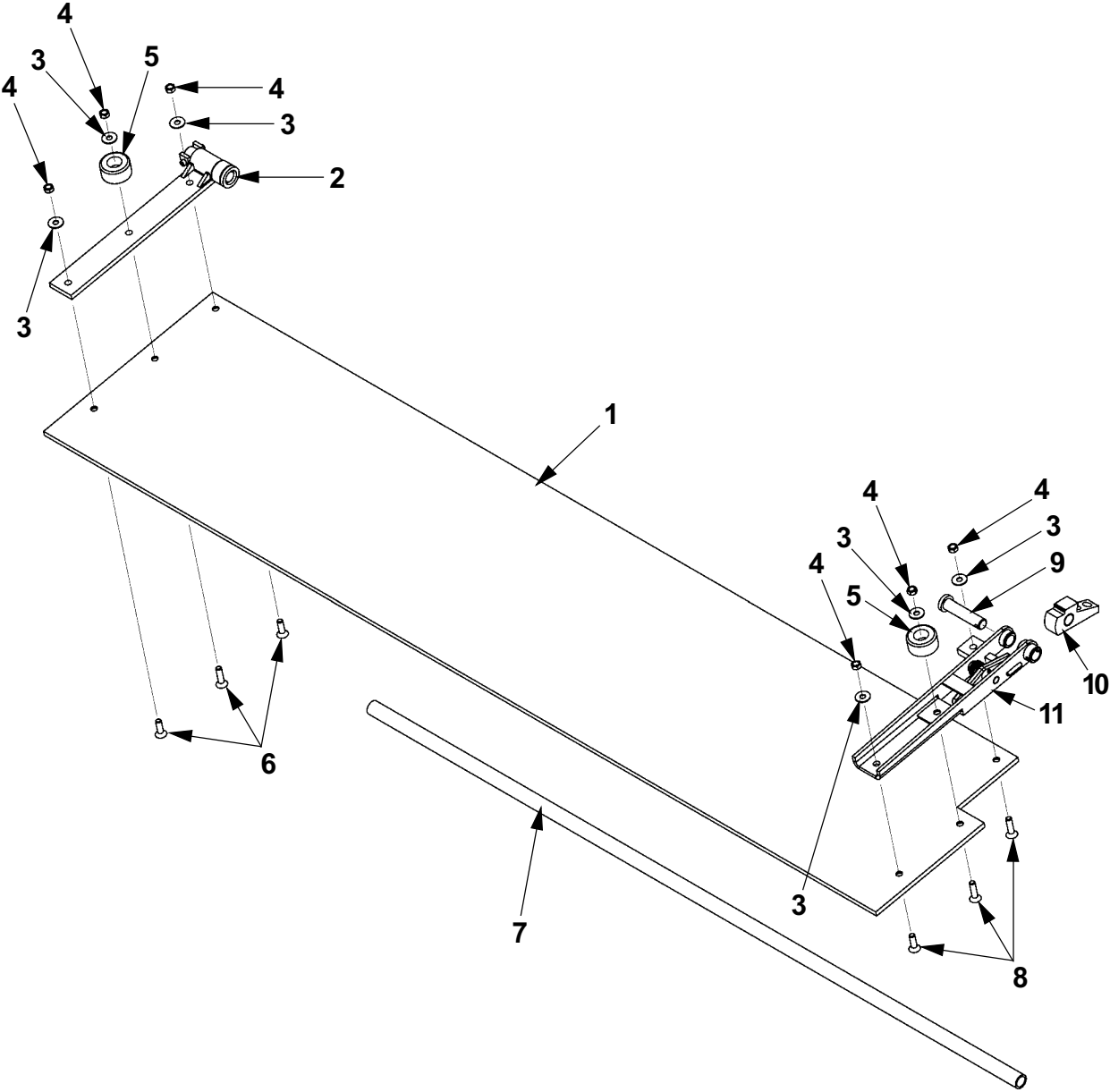
PLATFORM, FLIPOVER, AND CHAIN ASSEMBLY (STEEL)

ITEM	QTY.	DESCRIPTION	24" DEEP	30" DEEP	36" DEEP	42" DEEP
1	4	CLEVIS PIN	905136-01			
2	4	COTTER PIN	030177			
3	2	ANCHOR SHACKLE	280147			
4	1	OPENER ASSEMBLY LH	280030-01			
5	2	FLAT WASHER, 1-1/4"	261685			
6	2	ROLL PIN	905015-3			
7	2	BUMPER	225278-02			
8	4	FLAT WASHER, 1/4"	902000-1			
9	4	BUTTON HEAD SCREW, 5/16"-18 X 1/4"	900001-4			
10	4	NYLON LOCK NUT	901001			
11	2	PIN, 5-1/2"	253587			
12	2	ROLL PIN	221416			
13	1	OPENER ASSEMBLY RH	280030-02			
14	1	FLIPOVER, 96" WIDE VEHICLE W/ RAMP (BMR 55-66)	N/A	280180-08	280180-02	280180-03
		FLIPOVER, 102" WIDE VEHICLE W/ RAMP (BMR 55-66)	N/A	280180-04	280180-05	280180-06
		FLIPOVER, 96" WIDE VEHICLE W/ RAMP (BMR 35-44)	N/A	280180-07	280180-08	280180-09
		FLIPOVER, 102" WIDE VEHICLE W/ RAMP (BMR 35-44)	N/A	280180-10	280180-11	280180-12
		FLIPOVER, 96" WIDE VEHICLE W/O RAMP (BMR 55-66)	280180-13	280180-08	N/A	N/A
		FLIPOVER, 102" WIDE VEHICLE W/O RAMP (BMR 55-66)	280180-14	280180-04	N/A	N/A
		FLIPOVER, 96" WIDE VEHICLE W/O RAMP (BMR 35-44)	280180-15	280180-07	N/A	N/A
		FLIPOVER, 102" WIDE VEHICLE W/O RAMP (BMR 35-44)	280180-16	280180-10	N/A	N/A
15	1	PLATFORM, 96" WIDE VEHICLE W/ RAMP (BMR 55-66)	N/A	280190-01	280190-02	280190-03
		PLATFORM, 102" WIDE VEHICLE W/ RAMP (BMR 55-66)	N/A	280190-04	280190-05	280190-06
		PLATFORM, 96" WIDE VEHICLE W/ RAMP (BMR 35-44)	N/A	280190-07	280190-08	280190-09
		PLATFORM, 102" WIDE VEHICLE W/ RAMP (BMR 35-44)	N/A	280190-10	280190-11	280190-12
15A	4	BEARING, SELF-LUBE	253657			
16	1	LH CHAIN ASSEMBLY	REF ONLY			
17	1	RH CHAIN ASSEMBLY	REF ONLY			

MAXON 11921 Slauson Ave. Santa Fe Springs, CA. 90670 (800) 227-4116 FAX (888) 771-7713

ALUMINUM RETENTION RAMP ASSEMBLY (FOR STEEL PLATFORM ASSEMBLIES)

MAXON® 11921 Slauson Ave. Santa Fe Springs, CA. 90670 (800) 227-4116 FAX (888) 771-7713

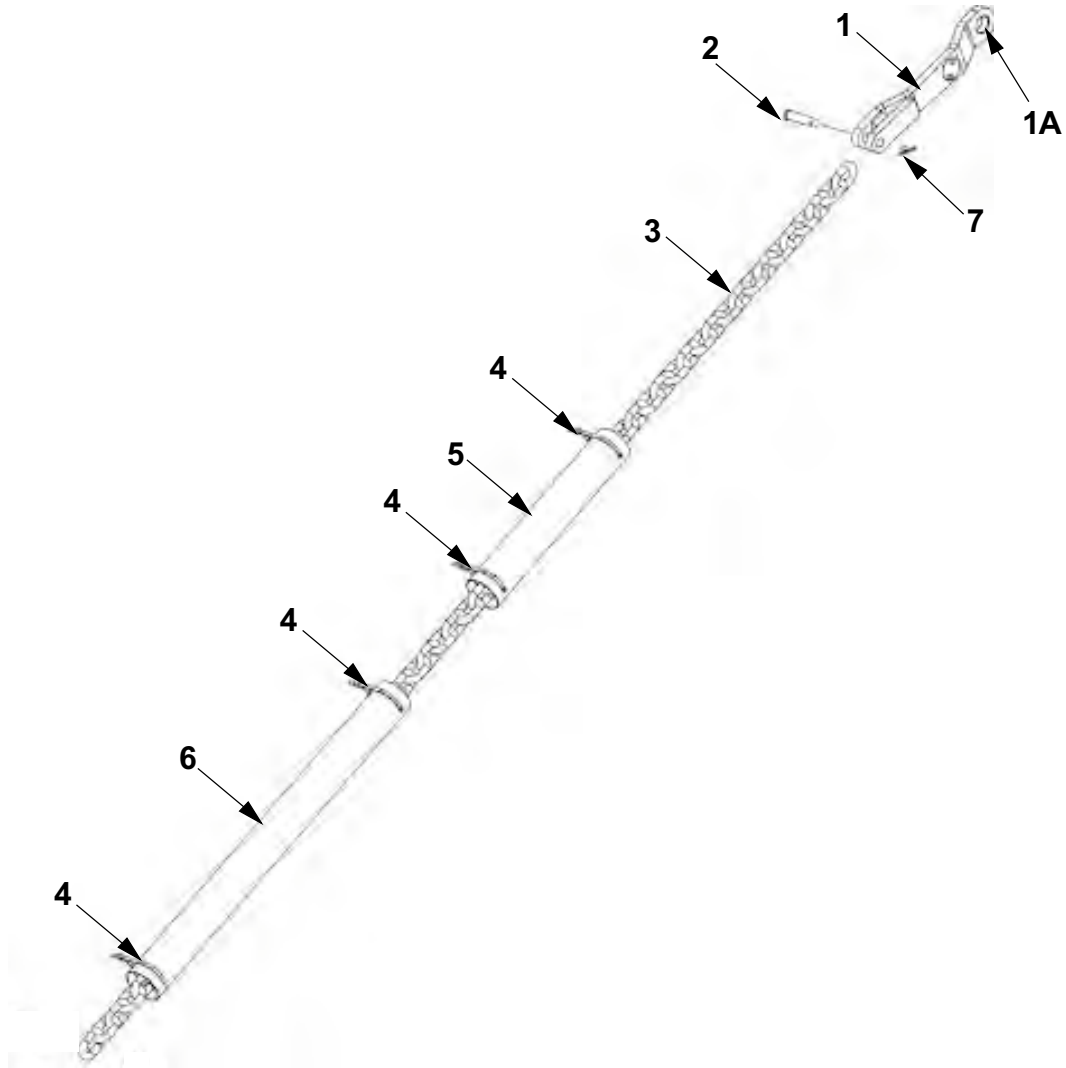


ALUMINUM RETENTION RAMP ASSEMBLY (FOR STEEL PLATFORM ASSEMBLIES)

ITEM	QTY.	PART NO.	DESCRIPTION
1	1	264697-02	ALUMINUM RAMP (96" WIDE VEHICLE)
		264697-03	ALUMINUM RAMP (102" WIDE VEHICLE)
2	1	253524	HINGE ASSEMBLY LH
3	6	902001-2	FLAT WASHER, 3/8"
4	6	030955	NYLON LOCK NUT
5	2	253516	RUBBER BUMPER
6	3	900040-5	FLAT HEAD SOCKET SCREW, 3/8"-16" X 1-1/4"
7	1	225985	PIPE, 60 LG.
8	3	900040-6	FLAT HEAD SOCKET SCREW, 3/8"-16 X 1-1/2"
9	1	264586	PIN WELDMENT
10	1	264639	LOCKING CAM
11	1	264572	HINGE ASSEMBLY RH

MAXON[®] 11921 Slauson Ave. Santa Fe Springs, CA. 90670 (800) 227-4116 FAX (888) 771-7713

L.H. CHAIN ASSEMBLY (FOR STEEL PLATFORM)

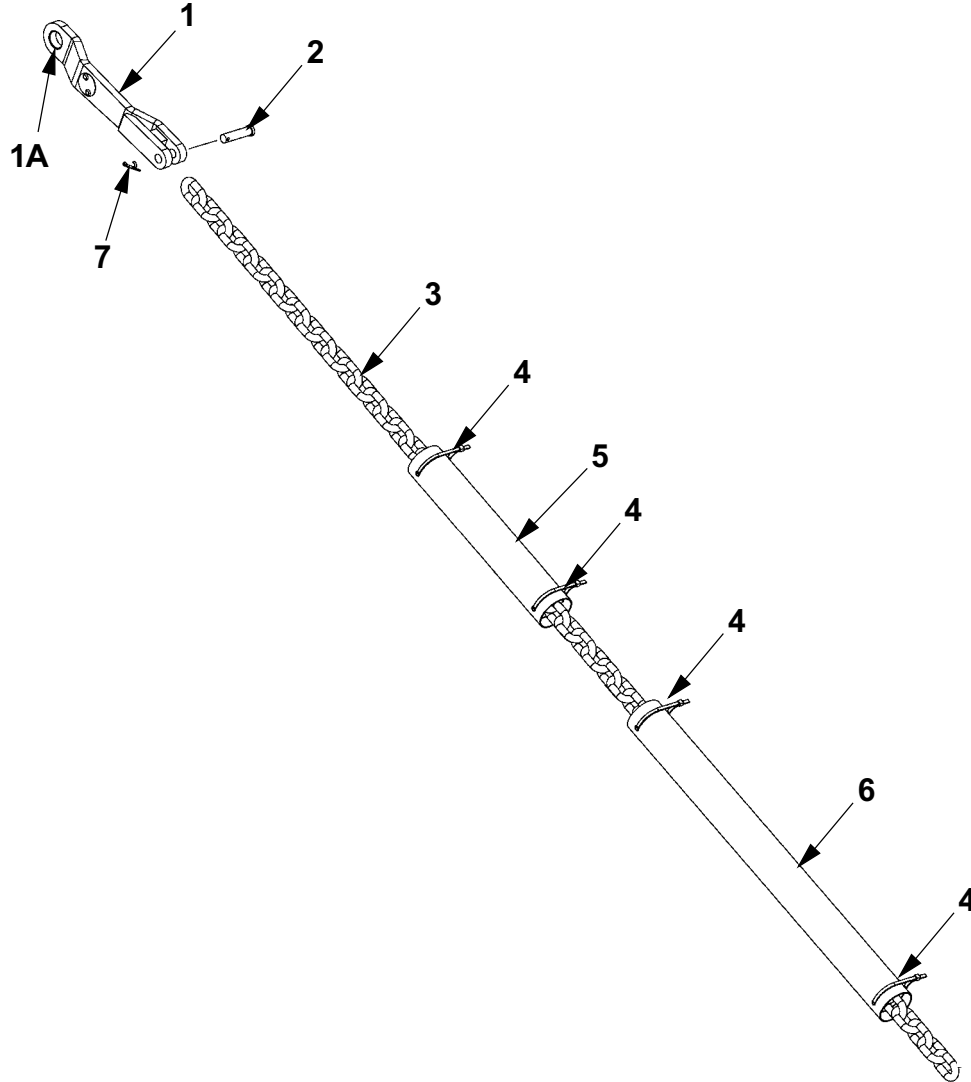


* PLATFORM + FLIPOVER DEPTH

ITEM	QTY.	DESCRIPTION	* 42" + 42"	* 42" + 30"	* 36" + 36"	* 36" + 24"	* 30" + 30"	
REF	1	CHAIN ASSEMBLY LH	280065-05	280065-09		280065-07	280065-01	
1	1	TEAR DROP ASSY. LH	280505-01					
1A	1	BEARING, SELF-LUBE	260078					
2	1	CLEVIS PIN	905136-01					
3	1	CHAIN	253606-11	253606-28		253606-27	253606-02	
4	4	TIE WRAP	205780					
5	1	SLEEVE 14-1/4" LONG	N/A					261609-05
		SLEEVE 12" LONG	N/A	261609-02				N/A
		SLEEVE 16-1/2" LONG	261609-03	N/A				
6	1	SLEEVE 32-1/4" LONG	261609-06	N/A				
		SLEEVE 23" LONG	N/A	261609-07		N/A		261609-07
		SLEEVE 16-1/2" LONG	N/A				261609-03	N/A
7	1	COTTER PIN	030177					

MAXON[®]
 11921 Slauson Ave. Santa Fe Springs, CA. 90670 (800) 227-4116 FAX (888) 771-7713

R.H. CHAIN ASSEMBLY (FOR STEEL PLATFORM)



* PLATFORM + FLIPOVER DEPTH

ITEM	QTY.	DESCRIPTION	* 42" + 42"	* 42" + 30"	* 36" + 36"	* 36" + 24"	* 30" + 30"	
REF	1	CHAIN ASSEMBLY RH	280065-06	280065-10		280065-08	280065-02	
1	1	TEAR DROP ASSY. RH	280505-02					
1A	1	BEARING, SELF-LUBE	260078					
2	1	CLEVIS PIN	905136-01					
3	1	CHAIN	253606-11	253606-28		253606-27	253606-02	
4	4	TIE WRAP	205780					
5	1	SLEEVE 14-1/4" LONG	N/A				261609-05	
		SLEEVE 12" LONG	N/A	261609-02			N/A	
	1	SLEEVE 16-1/2" LONG	261609-03	N/A				
6	1	SLEEVE 32-1/4" LONG	261609-06	N/A				
		SLEEVE 23" LONG	N/A	261609-07	N/A	261609-07		
	1	SLEEVE 16-1/2" LONG	N/A			261609-03	N/A	
7	1	COTTER PIN	030177					

PLATFORM, FLIPOVER, AND CHAIN ASSEMBLY (ALUMINUM)

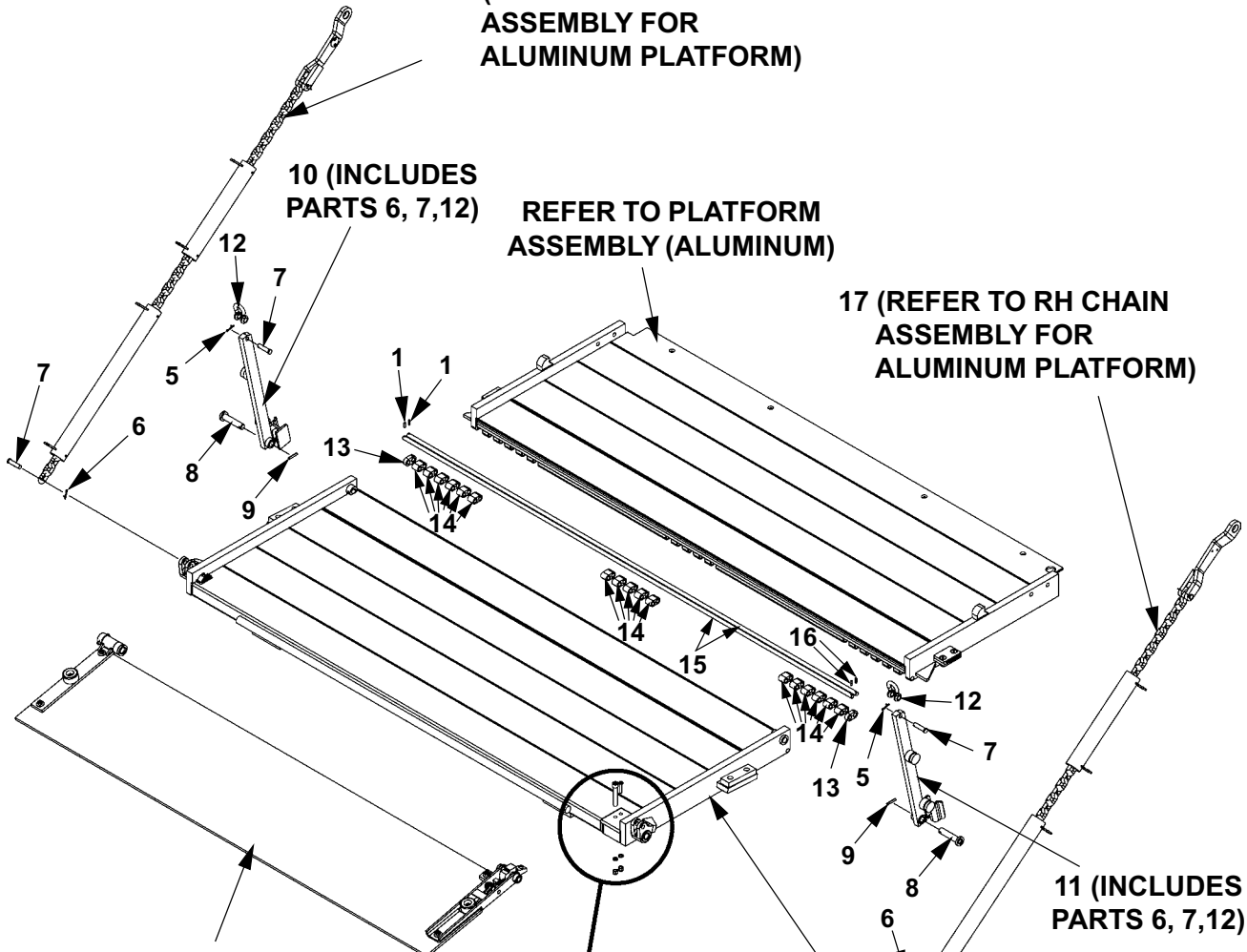
16 (REFER TO LH CHAIN ASSEMBLY FOR ALUMINUM PLATFORM)

10 (INCLUDES PARTS 6, 7, 12)

REFER TO PLATFORM ASSEMBLY (ALUMINUM)

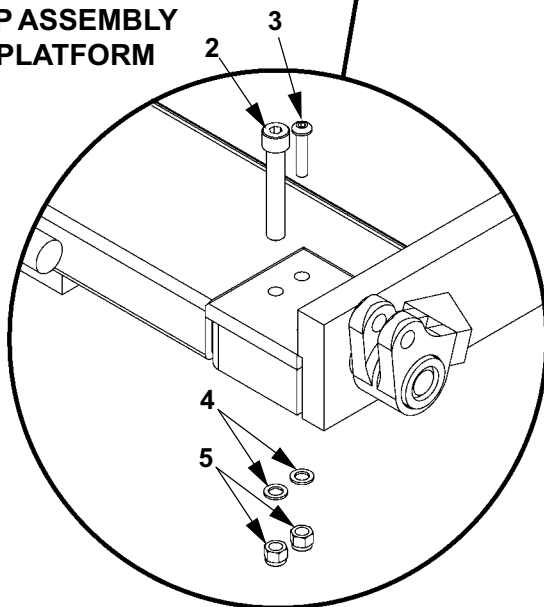
17 (REFER TO RH CHAIN ASSEMBLY FOR ALUMINUM PLATFORM)

11 (INCLUDES PARTS 6, 7, 12)



REFER TO ALUMINUM RETENTION RAMP ASSEMBLY (FOR ALUMINUM PLATFORM ASSEMBLIES)

REFER TO FLIPOVER ASSEMBLY (ALUMINUM)



MAXON®

11921 Slauson Ave. Santa Fe Springs, CA. 90670 (800) 227-4116 FAX (888) 771-7713

PLATFORM, FLIPOVER, AND CHAIN ASSEMBLY (ALUMINUM)

ITEM	QTY.	PART NO.	DESCRIPTION
1	4	905015-1	ROLL PIN
2	1	900037-11	SOCKET HEAD SCREW, 1/2"-20 x 3"
3	1	900001-5	BUTTON HEAD SCREW, 5/16"-18 x 1-1/2"
4	2	902000-10	FLAT WASHER, 3/8"
5	2	901002	NYLON LOCK NUT
6	4	030177	COTTER PIN
7	4	905136-01	CLEVIS PIN
8	2	280195	PIN WELDMENT
9	2	905033-1	ROLL PIN
10	1	280030-02	OPENER ASSEMBLY RH, 30" + 30" *
		280030-04	OPENER ASSEMBLY RH, 36" + 36" *
		280030-06	OPENER ASSEMBLY RH, 42" + 42" *
		280030-04	OPENER ASSEMBLY RH, 36" + 24" *
		280030-06	OPENER ASSEMBLY RH, 42" + 30" *
11	1	280030-01	OPENER ASSEMBLY LH, 30" + 30" *
		280030-03	OPENER ASSEMBLY LH, 36" + 36" *
		280030-05	OPENER ASSEMBLY LH, 42" + 42" *
		280030-03	OPENER ASSEMBLY LH, 36" + 24" *
		280030-05	OPENER ASSEMBLY LH, 42" + 30" *
12	2	280147	ANCHOR SHACKLE
13	2	280110	HINGE ASSEMBLY
14	17	280109	HINGE ASSEMBLY
15	2	263456-01	HINGE ROD, 81-3/4" LG. (96" WIDE PLATFORM)
		263456-02	HINGE ROD, 87-3/4" LG. (102" WIDE PLATFORM)
16	1	REF	LH CHAIN ASSEMBLY
17	1	REF	RH CHAIN ASSEMBLY

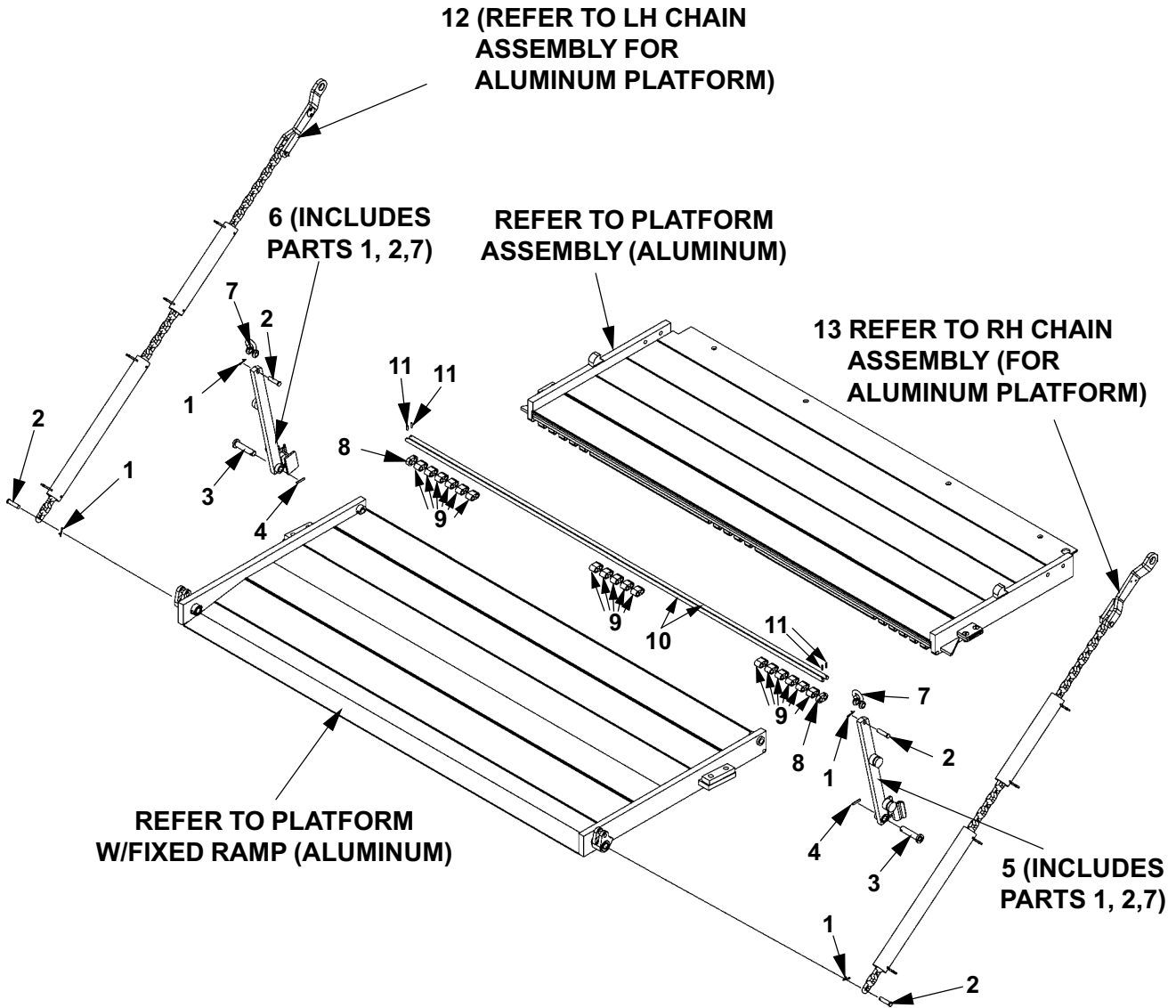
* PLATFORM + FLIPOVER DEPTH

PLATFORM & CHAIN ASSY W/FIXED RAMP (ALUMINUM)

P/N 280028

MAXON[®]

11921 Slauson Ave. Santa Fe Springs, CA. 90670 (800) 227-4116 FAX (888) 771-7713



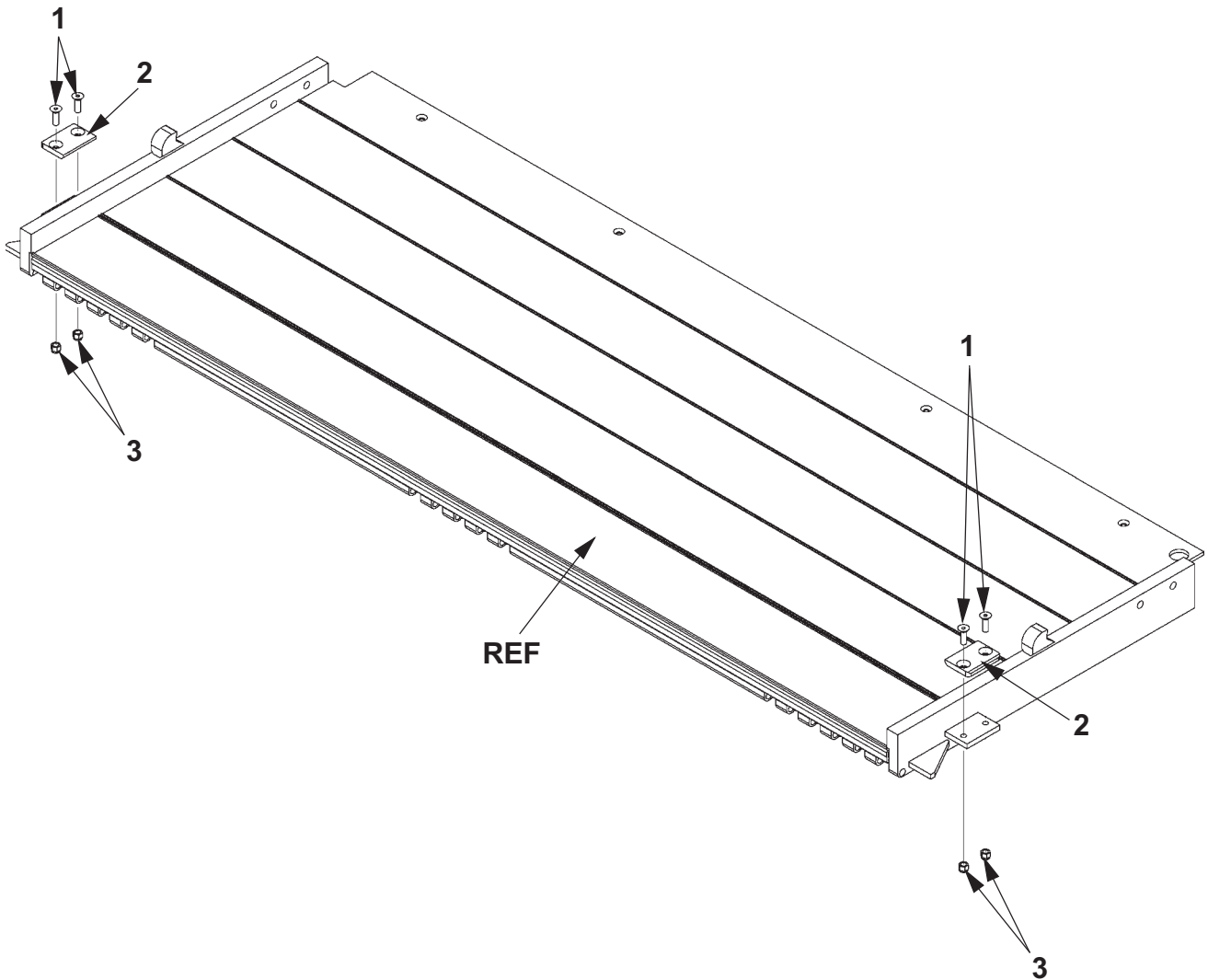
PLATFORM & CHAIN ASSY W/FIXED RAMP (ALUMINUM) P/N 280028

ITEM	QTY.	PART NO.	DESCRIPTION
1	4	030177	COTTER PIN
2	4	905136-01	CLEVIS PIN
3	2	280195	PIN WELDMENT
4	2	905033-1	ROLL PIN
5	1	280030-02	OPENER ASSEMBLY RH 30" + 30" *
		280030-04	OPENER ASSEMBLY RH 36" + 36" *
		280030-06	OPENER ASSEMBLY RH 42" + 42" *
		280030-04	OPENER ASSEMBLY RH 36" + 24" *
			OPENER ASSEMBLY RH 42" + 30" *
6	1	280030-01	OPENER ASSEMBLY LH 30" + 30" *
		280030-03	OPENER ASSEMBLY LH 36" + 36" *
		280030-05	OPENER ASSEMBLY LH 42" + 42" *
		280030-03	OPENER ASSEMBLY LH 36" + 24" *
		280030-05	OPENER ASSEMBLY LH 42" + 30" *
7	2	280147	ANCHOR SHACKLE
8	2	280110	HINGE ASSEMBLY
9	17	280109	HINGE ASSEMBLY
10	2	263456-01	HINGE ROD, 81-3/4" LG. (96" WIDE PLATFORM)
		263456-02	HINGE ROD, 87-3/4" LG. (102" WIDE PLATFORM)
11	4	905015-1	ROLL PIN
12	1	REF	LH CHAIN ASSEMBLY
13	1	REF	RH CHAIN ASSEMBLY

* PLATFORM + FLIPOVER DEPTH

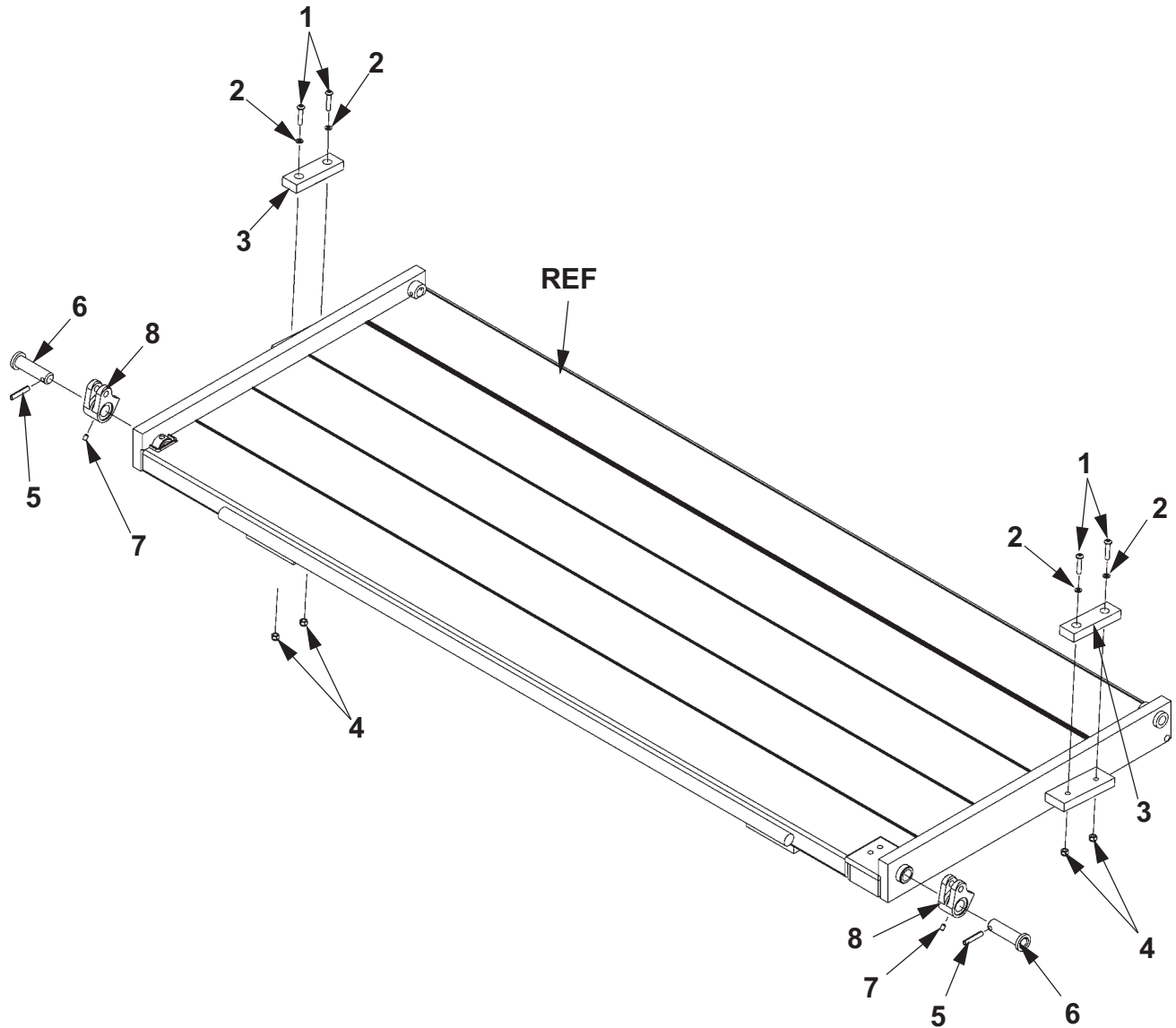
MAXON[®] 11921 Slauson Ave. Santa Fe Springs, CA. 90670 (800) 227-4116 FAX (888) 771-7713

PLATFORM ASSEMBLY (ALUMINUM)



ITEM	QTY.	DESCRIPTION	30" DEEP	36" DEEP	42" DEEP
REF	1	PLATFORM, 96" WIDE VEHICLE (W/ RETENTION RAMP)	264415-01	264415-03	264415-03
		PLATFORM, 102" WIDE VEHICLE (W/ RETENTION RAMP)	264415-02	264415-04	264415-06
		PLATFORM, 96" WIDE VEHICLE (W/O RETENTION RAMP)	N/A	264415-03	264415-05
		PLATFORM, 102" WIDE VEHICLE (W/O RETENTION RAMP)	N/A	264415-04	264415-06
1	4	FLAT HEAD SCREW, 3/8"-16 x 1-1/4"	900040-5		
2	2	BRACKET	280027		
3	4	NYLON LOCK NUT	901002		

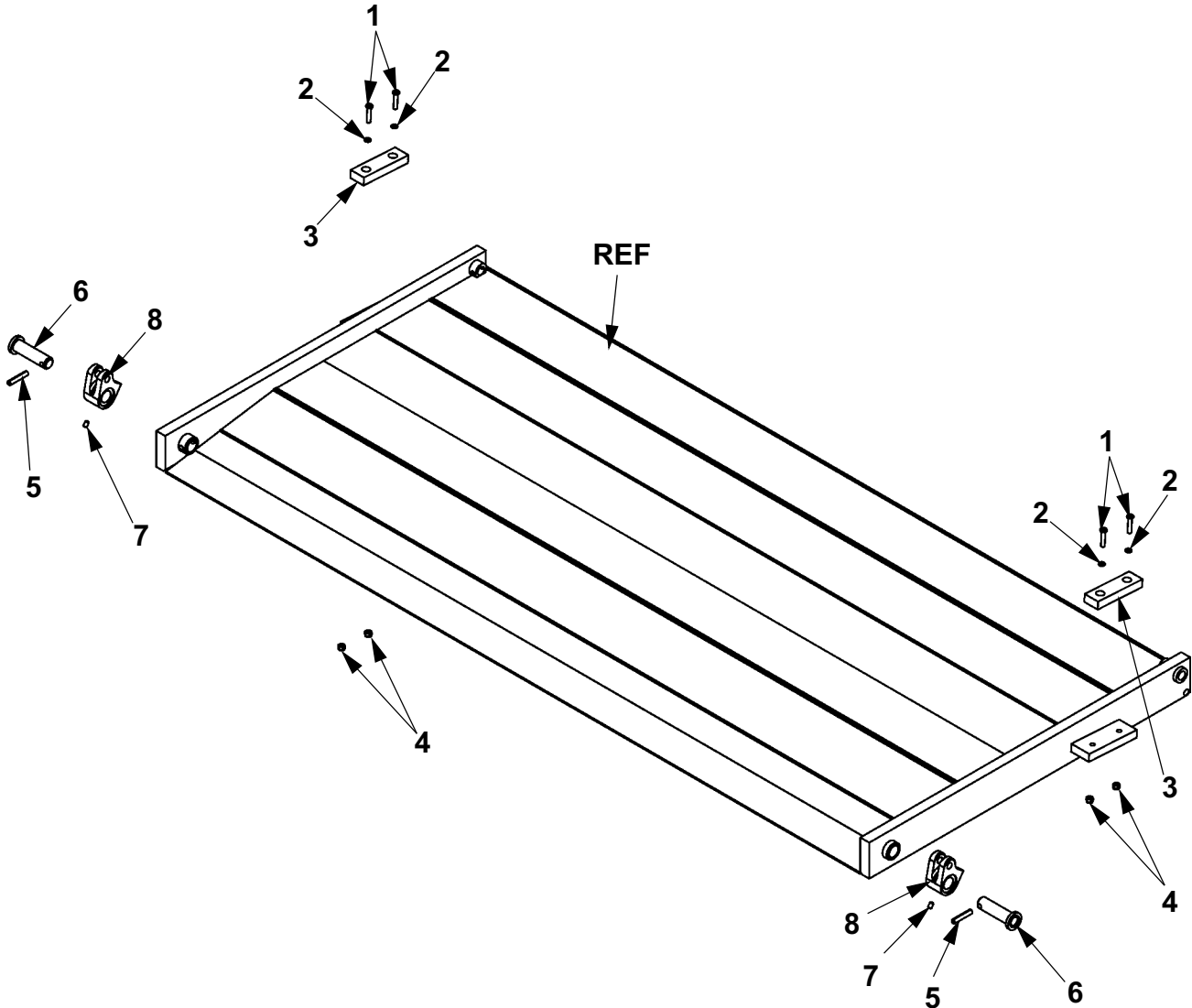
PLATFORM FLIPOVER (ALUMINUM - NO RAMP)



ITEM	QTY.	DESCRIPTION	30" DEEP	36" DEEP	42" DEEP
REF	1	FLIPOVER, 96" WIDE VEHICLE	264420-01	264420-03	264420-05
		FLIPOVER, 102" WIDE VEHICLE	264420-02	264420-04	264420-06
1	4	BUTTON SCREW, 5/16-18 x 1-1/2"		900001-5	
2	4	WASHER, 1/4"		902000-1	
3	2	BUMPER		225278-02	
4	4	NYLON LOCK NUT		901001	
5	2	ROLL PIN		221416	
6	2	PIN WELDMENT		280127	
7	2	SET SCREW, 5/16-18 x 1/2"		903006-3	
8	2	CHAIN HOLDER		280021	

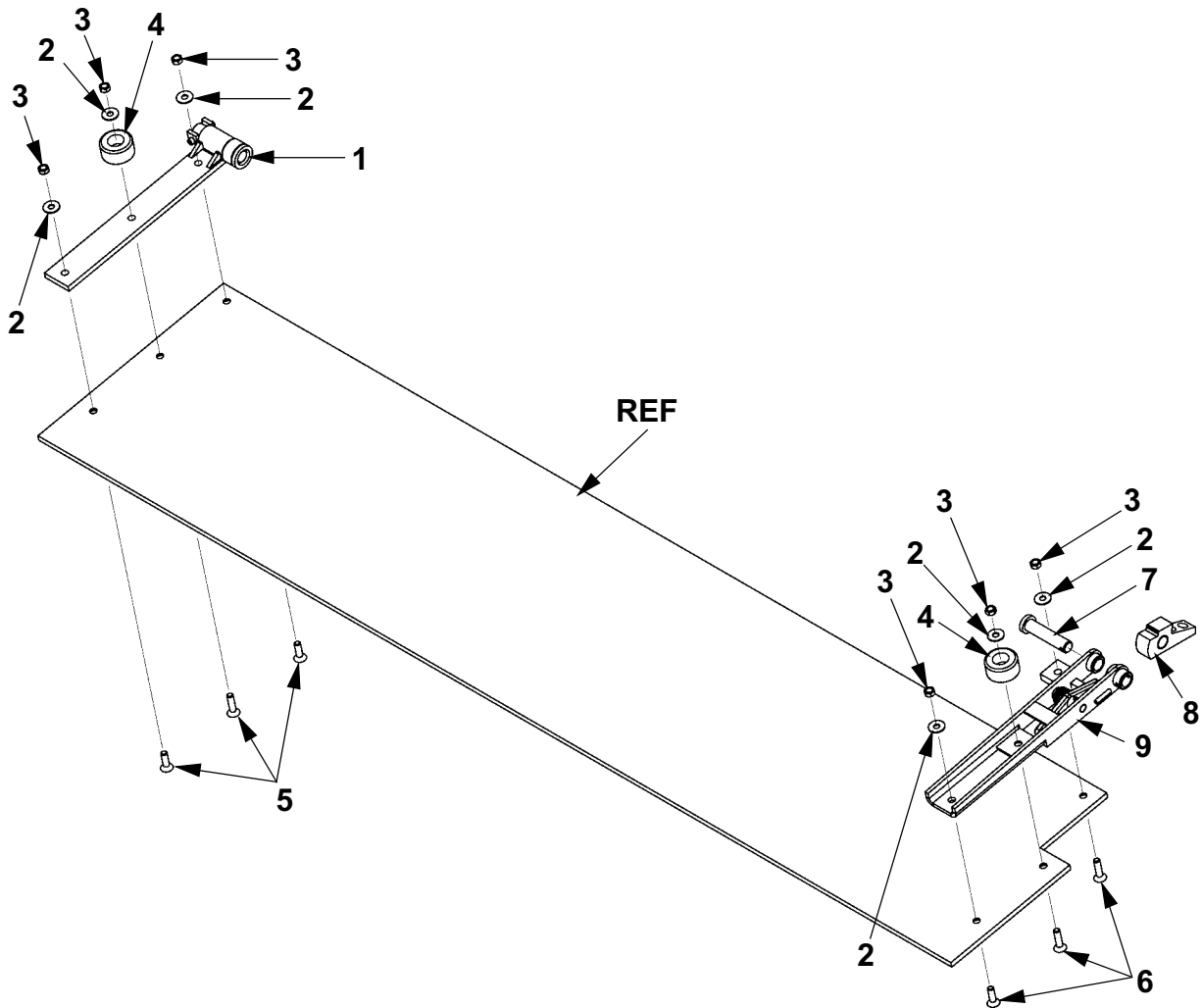
PLATFORM FLIPOVER W/FIXED RAMP (ALUMINUM)

MAXON[®] 11921 Slauson Ave. Santa Fe Springs, CA. 90670 (800) 227-4116 FAX (888) 771-7713



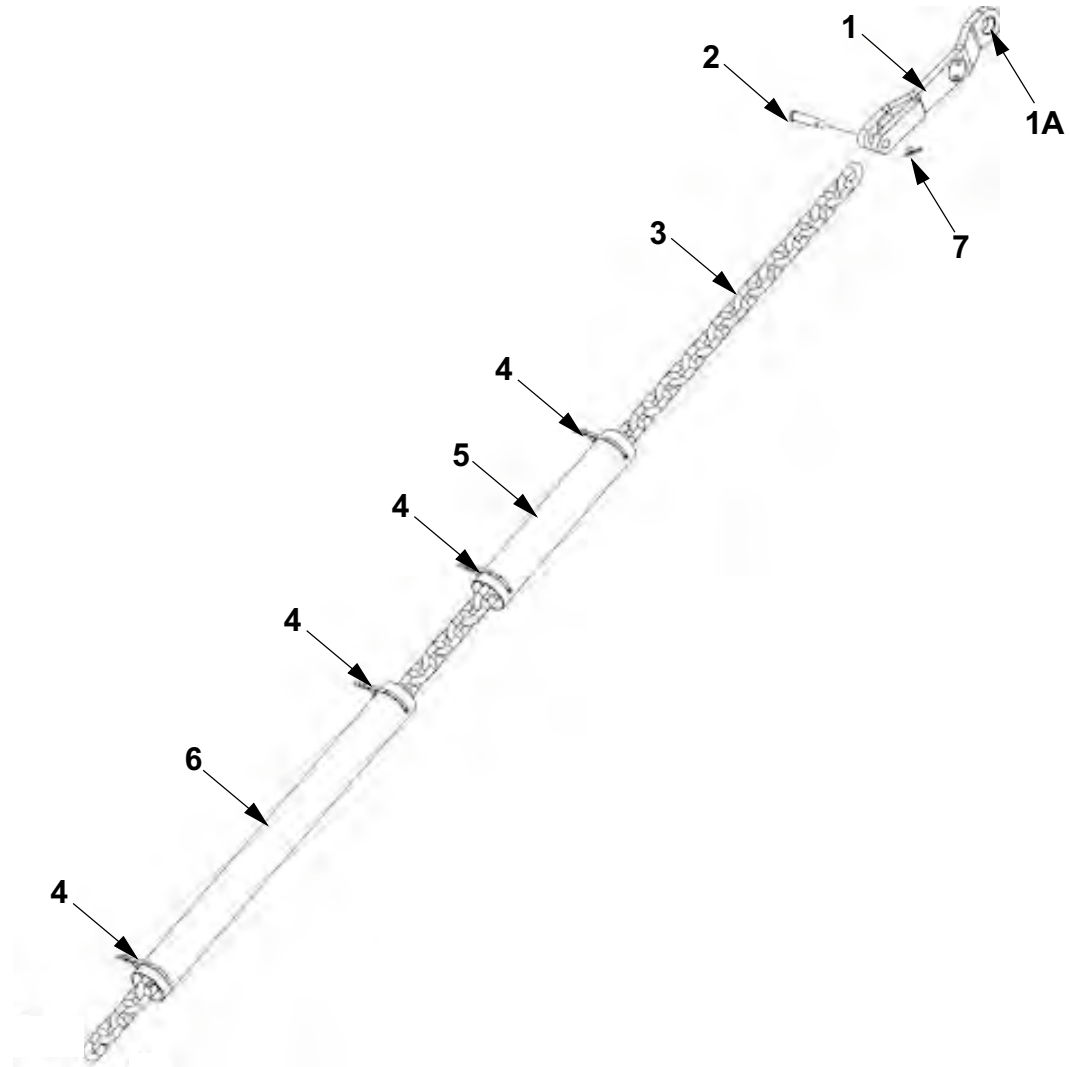
ITEM	QTY.	DESCRIPTION	24" DEEP	30" DEEP
REF	1	FLIPOVER, 96" WIDE VEHICLE	264419-01	264419-03
		FLIPOVER, 102" WIDE VEHICLE	264419-02	264419-04
1	4	BUTTON HEADSCREW, 5/16-18 x 1-1/2"	900001-5	
2	4	WASHER, 1/4"	902000-1	
3	2	BUMPER	225278-02	
4	4	NYLON LOCK NUT	901001	
5	2	ROLL PIN	221416	
6	2	PIN WELDMENT	280127	
7	2	SET SCREW, 5/16-18 x 1/2"	903006-3	
8	2	CHAIN HOLDER	280021	

ALUMINUM RETENTION RAMP ASSEMBLY (FOR ALUMINUM PLATFORM ASSEMBLIES)



ITEM	QTY.	PART NO.	DESCRIPTION
REF	1	264697-06	ALUMINUM RAMP (96" WIDE PLATFORM)
		264697-07	ALUMINUM RAMP (102" WIDE PLATFORM)
1	1	263463	HINGE ASSEMBLY LH
2	6	902001-2	WASHER, 3/8"
3	6	030955	NYLON LOCK NUT
4	2	253516	RUBBER BUMPER
5	3	900040-5	SOCKET SCREW, 3/8-16 X 1-1/4"
6	3	900040-6	SOCKET SCREW, 3/8-16 X 1-1/2"
7	1	264586	PIN WELDMENT
8	1	264639	LOCKING CAM
9	1	264572	HINGE ASSEMBLY RH

L.H. CHAIN ASSEMBLY (FOR ALUMINUM PLATFORM)

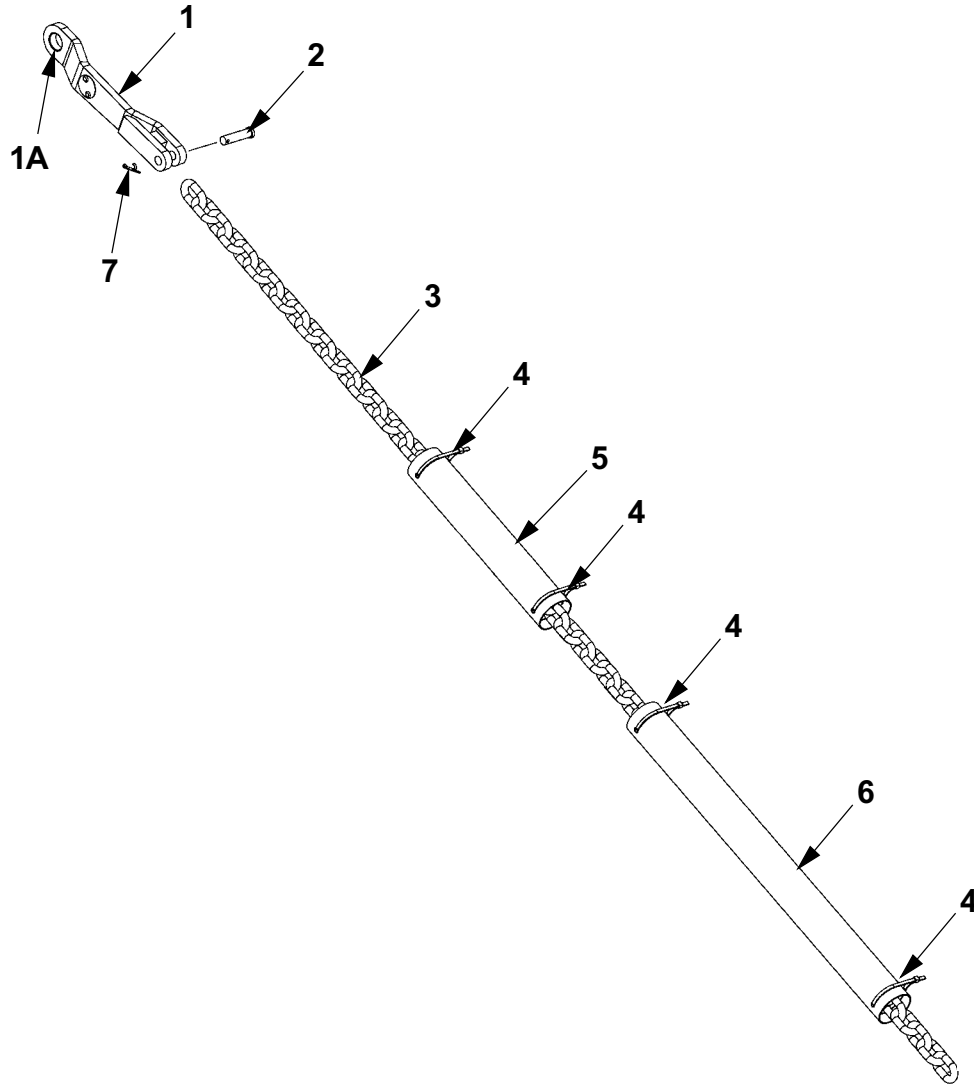


* PLATFORM + FLIPOVER DEPTH

ITEM	QTY.	DESCRIPTION	* 30" + 30"	* 36" + 36"	* 42" + 42"	* 36" + 24" FIX	* 42" + 30" FIX	
REF	1	CHAIN ASSEMBLY LH	280065-01	280065-03	280065-05	280065-09	280065-05	
1	1	TEAR DROP ASSY. LH	280505-02					
1A	1	BEARING SELF-LUBE	260078					
2	1	CLEVIS PIN	905136-01					
3	1	CHAIN	253606-02	253606-01	253606-11	253606-28	253606-11	
4	4	TIE WRAP	205780					
5	1	SLEEVE 14-1/4" LONG	261609-05	N/A				
		SLEEVE 16-1/2" LONG	N/A		261609-03	N/A	261609-03	
		SLEEVE 25-3/4" LONG	N/A	261609-01	N/A	261609-01	N/A	
6	1	SLEEVE 32-1/4" LONG	N/A		261609-06	N/A	261609-06	
		SLEEVE 23" LONG	261609-07	N/A				
7	1	SLEEVE 16-1/2" LONG	N/A	261609-03	N/A	261609-03	N/A	
		COTTER PIN	030177					

MAXON[®] 11921 Slauson Ave. Santa Fe Springs, CA. 90670 (800) 227-4116 FAX (888) 771-7713

R.H. CHAIN ASSEMBLY (FOR ALUMINUM PLATFORM)



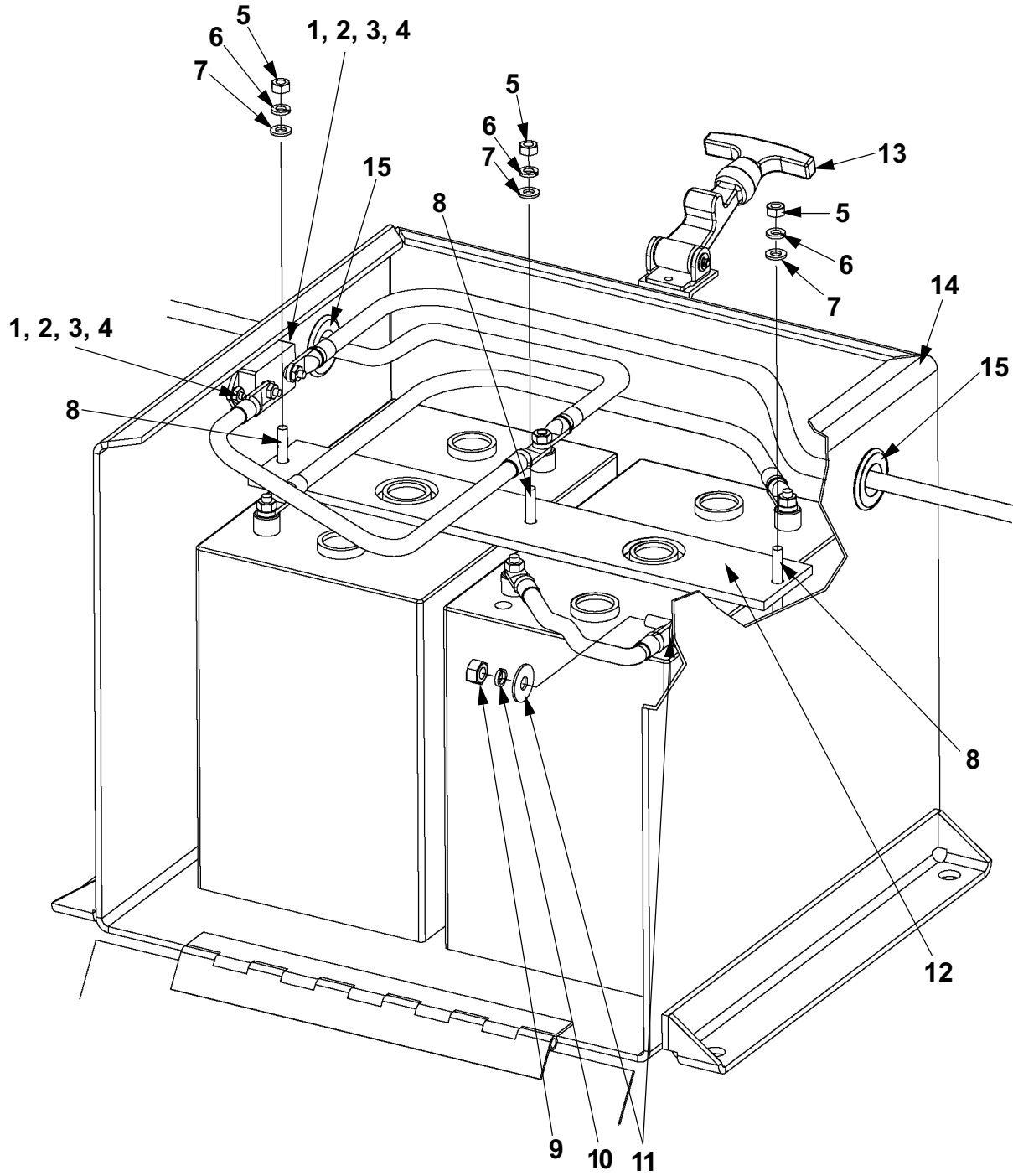
* PLATFORM + FLIPOVER DEPTH

ITEM	QTY.	DESCRIPTION	* 30" + 30"	* 36" + 36"	* 42" + 42"	* 36" + 24" FIX	* 42" + 30" FIX	
REF	REF	CHAIN ASSEMBLY RH	280065-02	280065-04	280065-06	280065-10	280065-06	
1	1	TEAR DROP ASSY. RH	280505-02					
1A	1	BEARING SELF-LUBE	260078					
2	1	CLEVIS PIN	905136-01					
3	1	CHAIN	253606-02	253606-01	253606-11	253606-28	253606-11	
4	4	TIE WRAP	205780					
5	1	SLEEVE 14-1/4" LONG	261609-05	N/A				
		SLEEVE 16-1/2" LONG	N/A		261609-03	N/A	261609-03	
		SLEEVE 25-3/4" LONG	N/A	261609-01	N/A	261609-01	N/A	
6	1	SLEEVE 32-1/4" LONG	N/A		261609-06	N/A	261609-06	
		SLEEVE 23" LONG	261609-07	N/A				
7	1	SLEEVE 16-1/2" LONG	N/A	261609-03	N/A	261609-03	N/A	
		COTTER PIN	030177					

BATTERY BOX & HARDWARE

MAXON

11921 Slauson Ave. Santa Fe Springs, CA. 90670 (800) 227-4116 FAX (888) 771-7713



BATTERY BOX & HARDWARE

ITEM	QTY.	PART NO.	DESCRIPTION
1	2	902011-1	LOCK WASHER, #10
2	2	902000-6	FLAT WASHER, #10
3	2	030344	HEX NUT, #10-32
4	2	030609	MACHINE SCREW, #10-32
5	3	901011-1	HEX NUT, 1/4"-20
6	3	902011-2	LOCK WASHER, 1/4"
7	3	902000-1	FLAT WASHER, 1/4"
8	3	227722	ROD, BATTERY HOLD DOWN
9	1	901005	HEX NUT, 5/16"-18
10	1	902011-3	LOCK WASHER, 5/16"
11	2	902000-7	FLAT WASHER, 5/16"
12	1	250479	BATTERY HOLD DOWN
13	1	215139	CATCH & FASTENER
14	1	264022	DUAL BATTERY BOX
15	2	251097	GROMMET, RUBBER 7/8 X 1-5/8

MAXON[®] 11921 Slauson Ave. Santa Fe Springs, CA. 90670 (800) 227-4116 FAX (888) 771-7713

MAXON[®]

11921 Slauson Ave. Santa Fe Springs, CA. 90670 (800) 227-4116 FAX (888) 771-7713

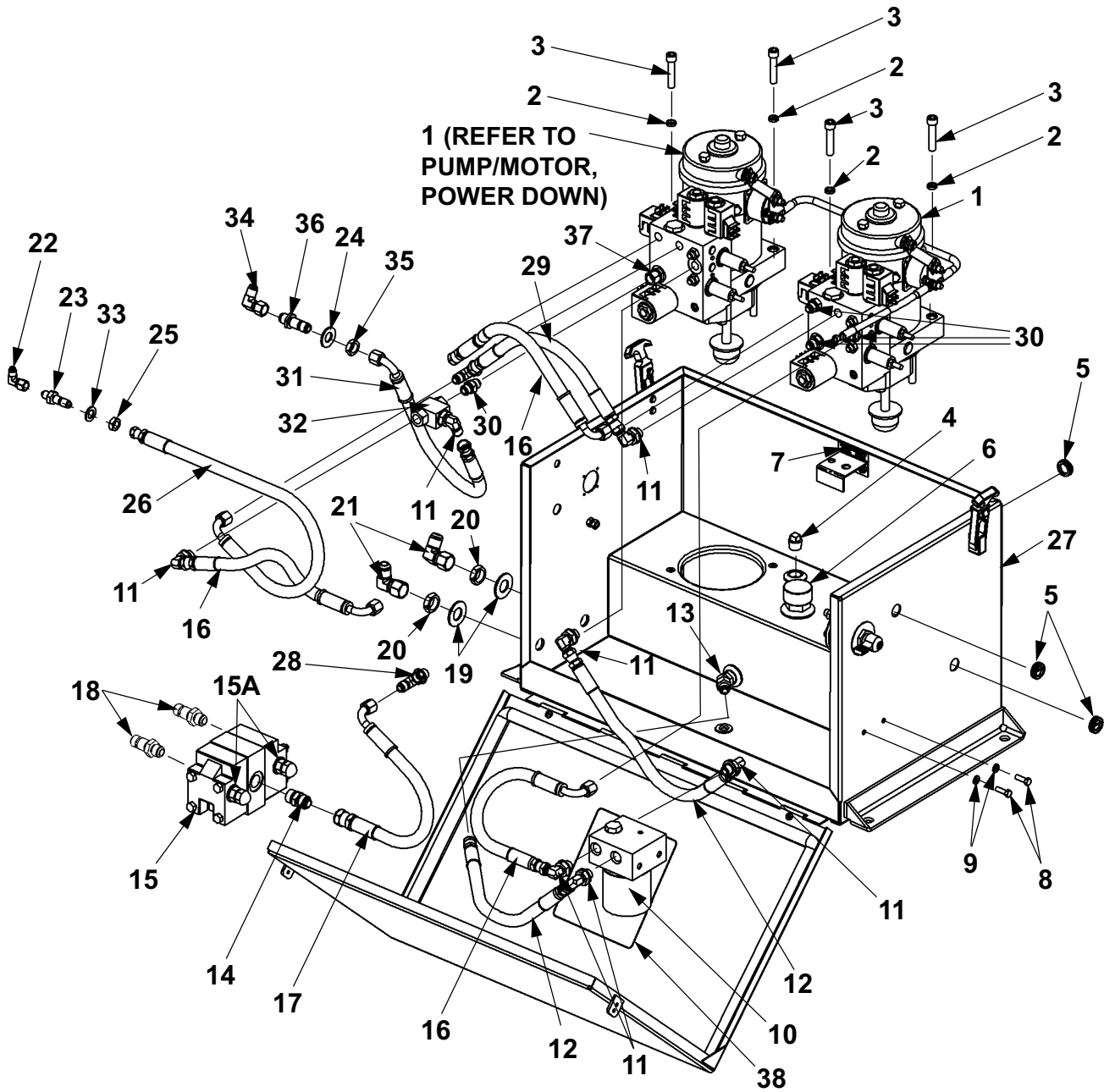
THIS PAGE INTENTIONALLY LEFT BLANK

HYDRAULIC COMPONENTS SECTION

DUAL PUMP ASSEMBLY, POWER DOWN

P/N 264200

MAXON[®] 11921 Slauson Ave. Santa Fe Springs, CA. 90670 (800) 227-4116 FAX (888) 771-7713



DUAL PUMP ASSEMBLY, POWER DOWN P/N 264200

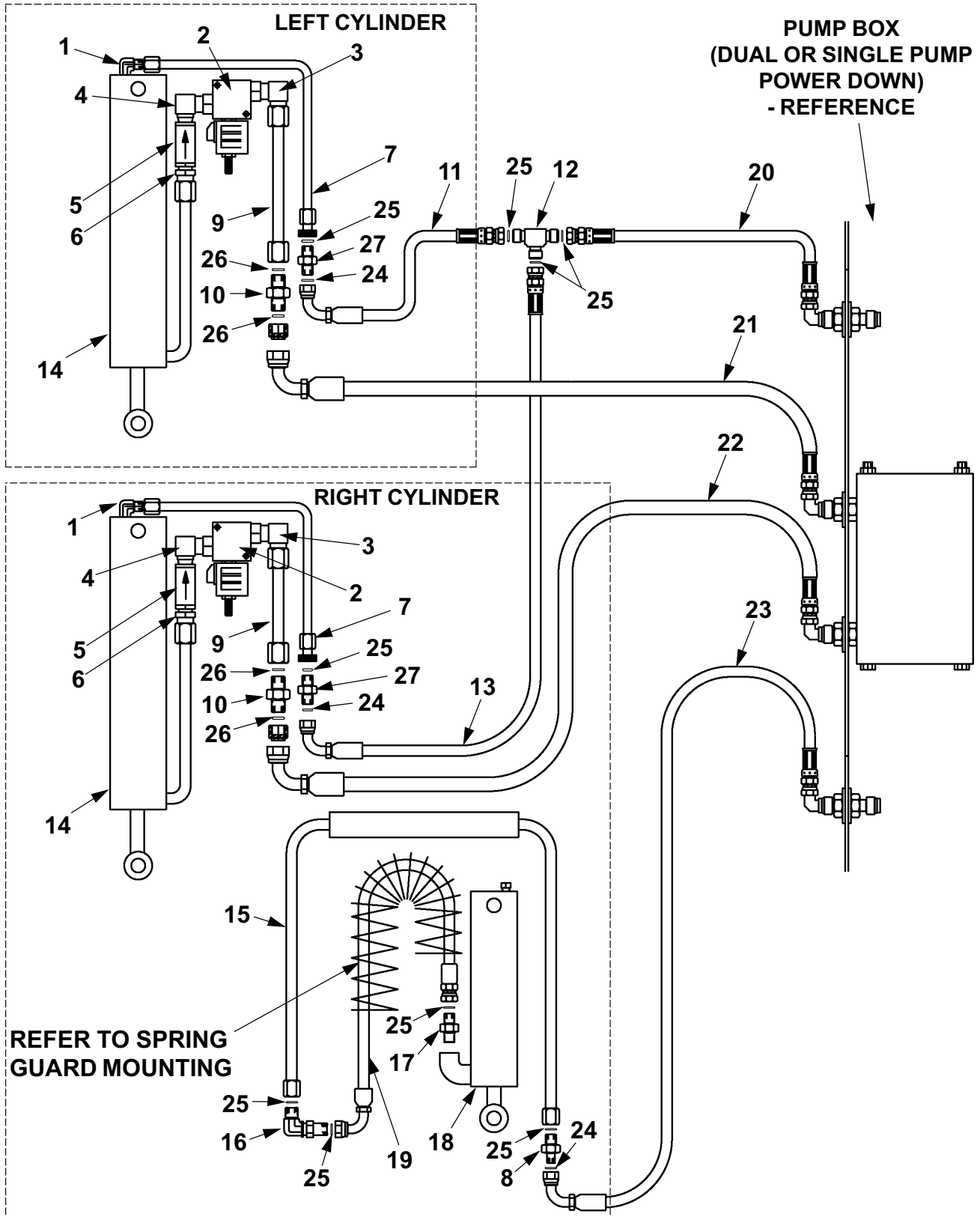
ITEM	QTY.	PART NO.	DESCRIPTION
1	2	264191	PUMP/MOTOR, POWER DOWN
2	4	263952	LOCK WASHER, 3/8" ZINC
3	4	263951	CAP SCREW, 3/8"-16 x 1-3/4" LG.
4	1	700729	PLUG, 3/8"
5	3	261416	GROMMET, 3/4" RUBBER
6	1	263369	FILLER CAP
7	1	264183	DECAL PUMP SELECTOR
8	2	900004-2	CAP SCREW, 1/4"-20 x 3/4"LG. ZINC
9	2	902011-2	LOCK WASHER, 1/4" x 1/16" THK.
10	1	260920	SPIN-ON OIL FILTER
11	7	905152	ELBOW, 90°, SAE#6 x JIC37#6
12	2	263967	HOSE, 3/8" HP JIC#6 F-F x 16.12" LG.
13	1	905177	ELBOW, 45°, 3/8" NPT x 3/8" JIC
14	1	253706	STRAIGHT UNION SAE#8 x JIC#8 M-M
15	1	253513	FLOW DIVIDER
15A	2	902024	WASHER, THREAD SEAL
16	3	263966	HOSE, 3/8" HP JIC#6 F-F x 14.4" LG.
17	1	263971	HOSE, 3/8" HP JIC#6 F-F x 17.57" LG.
18	2	261461	UNION, BLKHD, SAE 37° FLARE TWIN
19	2	902000-20	FLAT WASHER, 3/4"
20	2	261462	NUT, BULKHD, SAE 37° FLARE TWIN
21	2	260120	ELBOW, 90°, JIC#8-M x JIC#8-F
22	1	905027	ELBOW JIC#4 M-F SW
23	1	905096	STRAIGHT UNION JIC#4
24	1	902010	FLAT WASHER, 19/32" ZINC
25	1	905085	NUT, BULKHEAD, JIC#4
26	1	264196	HOSE, 90°, 3/8" HP JIC#6
27	1	264260	PUMP BOX ASSEMBLY
28	1	264180	TEE, STRAIGHT THREAD, O-RING
29	1	264091	HOSE, 3/8" HP JIC#6 F-F 13.8
30	4	905153	FITTING STR. THD. SAE#6 x JIC #6
31	1	264197	HOSE, 3/8" HP JIC#6
32	1	264198	IN-LINE SHUTTLE VALVE
33	1	902000-14	FLAT WASHER, 1/2" X 7/64"
34	1	905154	ELBOW, 90° JIC#6 M-F
35	1	905086	NUT, BLKHD, JIC#6
36	1	905100	STRAIGHT UNION JIC#6
37	1	905181	SWIVEL, SAE 37°, 3/8" M-JIC#6
38	1	265330-02	DECAL, P/D HYDRAULIC FLUID LEVEL

MAXON® 11921 Slauson Ave. Santa Fe Springs, CA. 90670 (800) 227-4116 FAX (888) 771-7713

HYDRAULIC COMPONENTS, POWER DOWN

MAXON

11921 Slauson Ave. Santa Fe Springs, CA. 90670 (800) 227-4116 FAX (888) 771-7713



HYDRAULIC COMPONENTS, POWER DOWN

ITEM	QTY.	PART NO.	DESCRIPTION
1	2	905157	ELBOW, 3/8" x 1/4" M-M
2	2	253942	HYD. LOCK VALVE
3	2	905158	ELBOW STRAIGHT, #8 x #6 M-M
4	2	260164	ELBOW 90° STRAIGHT, #6 x 1/4" M-M
5	2	253745	VALVE PRESSURE COMP.
6	2	905176	STRAIGHT CONNECTOR, #8 x #4 M-M
7	2	264027	"L" TUBE ASSEMBLY, 98" x 5"
8	1	905180	UNION, FACE SEAL, # 6-#4, 1/4"M - 3/8"M
9	2	264026	TUBE ASSEMBLY, 96"LG
10	2	905161	UNION, #8 M-M
11	1	264294-02	HOSE ASSEMBLY HP, 100"
12	1	905150	TEE, UNION 3/8" F.S. MALE, 6-JLO
12A	3	906712-02	O-RING #6, 3/8" ORFS TUBE END
13	1	264294-03	HOSE ASSEMBLY HP, 24"
14	2	263200-01	CYLINDER (BMR-A -35 & -44)
		253315-01	CYLINDER (BMR-A -55 & -66)
14A	1	280524	SEAL KIT, CYL. (BMR-A -35 & -44)
		280523	SEAL KIT, CYL. (BMR-A -55 & -66)
15	1	263997	"U" TUBE ASSEMBLY, 98" x 11"
16	1	905162	ELBOW BULKHEAD UNION, #6 M-M
17	1	905179	CONNECTOR, #4 x #6 M-M
18	1	264103	CLOSING CYLINDER
18A	1	280528	SEAL KIT, CYLINDER
19	1	264109	HOSE ASSEMBLY HP, 46"
20	1	280229-01	HOSE ASSEMBLY HP, 34"
		280229-02	HOSE ASSEMBLY HP, 166"
		280229-03	HOSE ASSEMBLY HP, 286"
21	1	280223-02	HOSE ASSEMBLY HP, 142"
		280223-04	HOSE ASSEMBLY HP, 274"
		280223-06	HOSE ASSEMBLY HP, 394"
22	1	280223-01	HOSE ASSEMBLY HP, 64"
		280223-03	HOSE ASSEMBLY HP, 196"
		280223-05	HOSE ASSEMBLY HP, 316"
23	1	280232-01	HOSE ASSEMBLY HP, 56"
		280232-02	HOSE ASSEMBLY HP, 188"
		280232-03	HOSE ASSEMBLY HP, 308"
24	3	906712-01	O-RING, #4 (1/4" FACE SEAL TUBE-END)
25	8	906712-02	O-RING, #6 (3/8" FACE SEAL TUBE-END)
26	4	906712-03	O-RING, #8 (1/2" FACE SEAL TUBE-END)
27	2	905175	UNION, FACE SEAL, #6 M-M

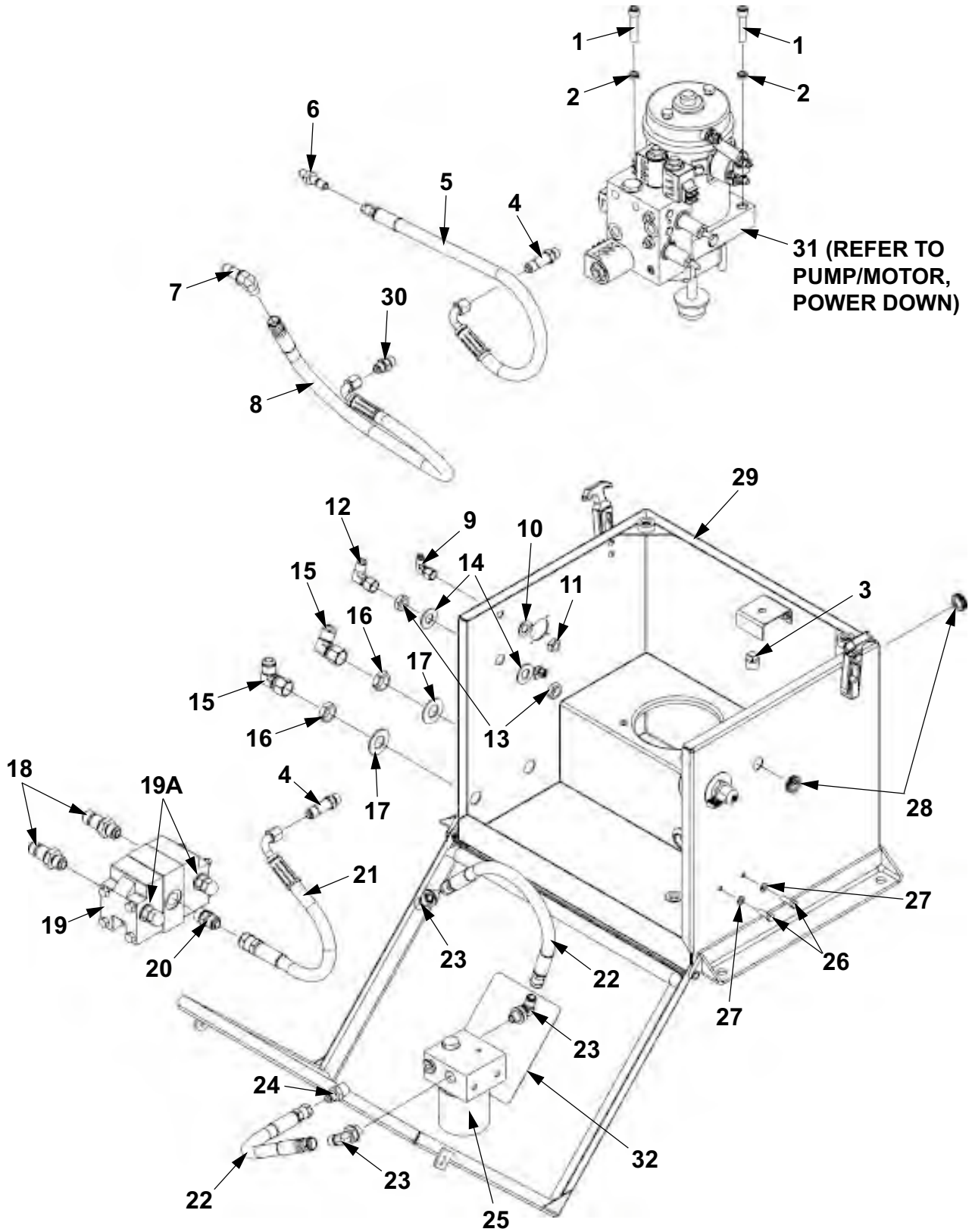
MAXON® 11921 Slauson Ave. Santa Fe Springs, CA. 90670 (800) 227-4116 FAX (888) 771-7713

SINGLE PUMP ASSEMBLY, POWER DOWN

P/N 280240

MAXON[®]

11921 Slauson Ave. Santa Fe Springs, CA. 90670 (800) 227-4116 FAX (888) 771-7713

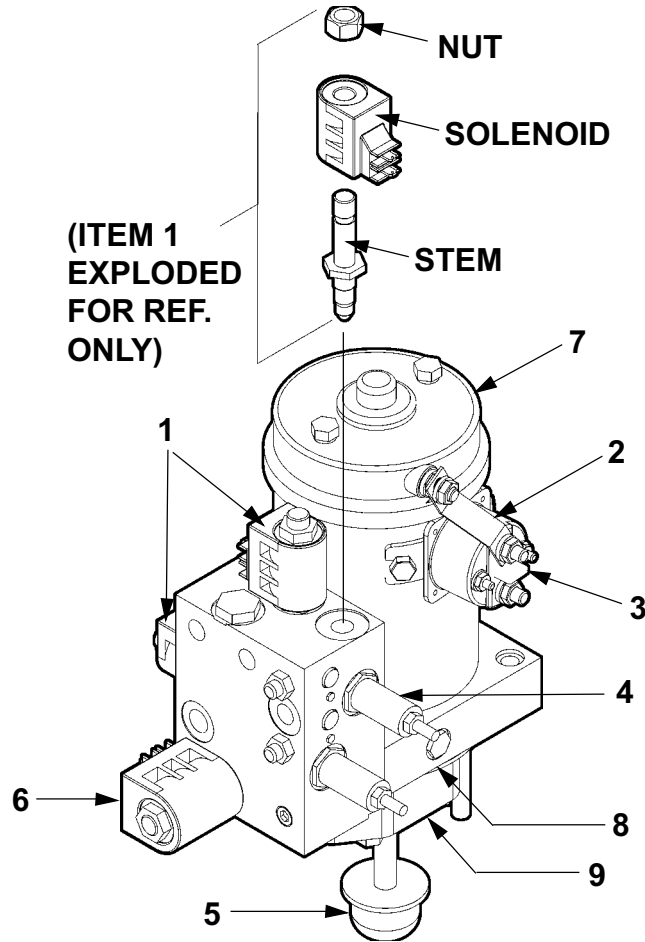


SINGLE PUMP ASSEMBLY, POWER DOWN P/N 280240

ITEM	QTY.	PART NO.	DESCRIPTION
1	2	263951	CAP SCREW, 3/8"-16 x 1-3/4"
2	2	263952	LOCK WASHER, 3/8"
3	1	700729	PLUG, 3/8"
4	2	905214	FITTING, STR. THD., O-RING SAE #6 & JIC
5	1	264196	HOSE, 90°, 3/8" HP JIC #6
6	1	905096	STRAIGHT UNION JIC #4
7	1	905148	BULKHEAD UNION ELBOW SAE #6, JIC
8	1	263970	HOSE, 3/8" HP JIC #6 F-F 22"
9	1	905027	ELBOW JIC #4 M-F SW
10	1	902000-14	FLAT WASHER, 1/2" x 7/64"
11	1	905085	NUT, BULKHEAD JIC #4
12	1	905154	ELBOW, 90°, JIC #8-M x JIC #6-F
13	2	905086	NUT, BULKHEAD JIC #6
14	2	902010	FLAT WASHER, 9/16"
15	2	260120	ELBOW, 90°, JIC #8-M x JIC #8-F
16	2	261462	NUT, BLKHD, SAE 37° FLARE TWIN
17	2	902000-20	FLAT WASHER, .750" x .090" THK
18	2	261461	UNION, BULKHEAD, SAE 37° FLARE TWIN
19	1	253513	FLOW DIVIDER
19A	2	902024	WASHER, THREAD SEAL
20	1	253706	STR. UNION, O-RING, SAE #8-M JIC #8-M
21	1	263971	HOSE, 3/8" HP JIC #6 F-F x 17.57" LG.
22	2	263967	HOSE, 3/8" HP JIC #6 F-F x 16.12" LG
23	3	905152	ELBOW, 90°, SAE #6 x JIC 37 #6
24	1	403071	CONNECTOR, 3/8" x 3/8" MALE
25	1	260920	SPIN-ON OIL FILTER
26	2	900004-2	CAP SCREW, 1/4-20 x 3/4"
27	2	902011-2	LOCK WASHER, 1/4" x 5/8"
28	2	261416	GROMMET, 3/4"
29	1	280241	SINGLE PUMP BOX ASSEMBLY
30	1	905153	FITTING, STR. THD. O-RING SAE #6 & JIC 6
31	1	264191	PUMP/MOTOR, POWER DOWN
32	1	265330-02	DECAL, P/D HYDRAULIC FLUID LEVEL

MAXON 11921 Slauson Ave. Santa Fe Springs, CA. 90670 (800) 227-4116 FAX (888) 771-7713

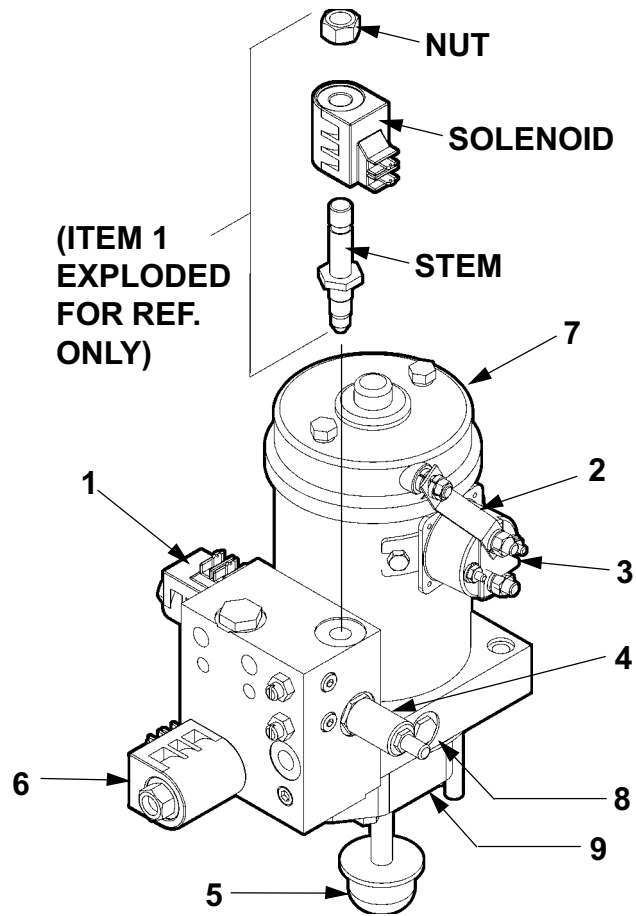
PUMP/MOTOR, POWER DOWN P/N 264191



ITEM	QTY.	PART NO.	DESCRIPTION
1	3	253353	VALVE, SOLENOID 2-WAY
1A	1	226594	O-RING KIT, 2-WAY VALVE
2	1	262966	BUS BAR
3	1	265662	STARTER SOLENOID, 12 VDC, 4-TERMINAL (MTE P/N 39002134)
		262939	STARTER SOLENOID, 12 VDC, 3-TERMINAL
4	2	905195	RELIEF VALVE
5	1	260250	FILTER
6	1	290019	VALVE, 2 POSITION, 3-WAY
6A	1	226595	O-RING KIT, 3-WAY VALVE
7	1	250093	MOTOR, 12 VDC
8	1	251884	O-RING
9	1	290003	GEAR PUMP

MAXON[®] 11921 Slauson Ave. Santa Fe Springs, CA. 90670 (800) 227-4116 FAX (888) 771-7713

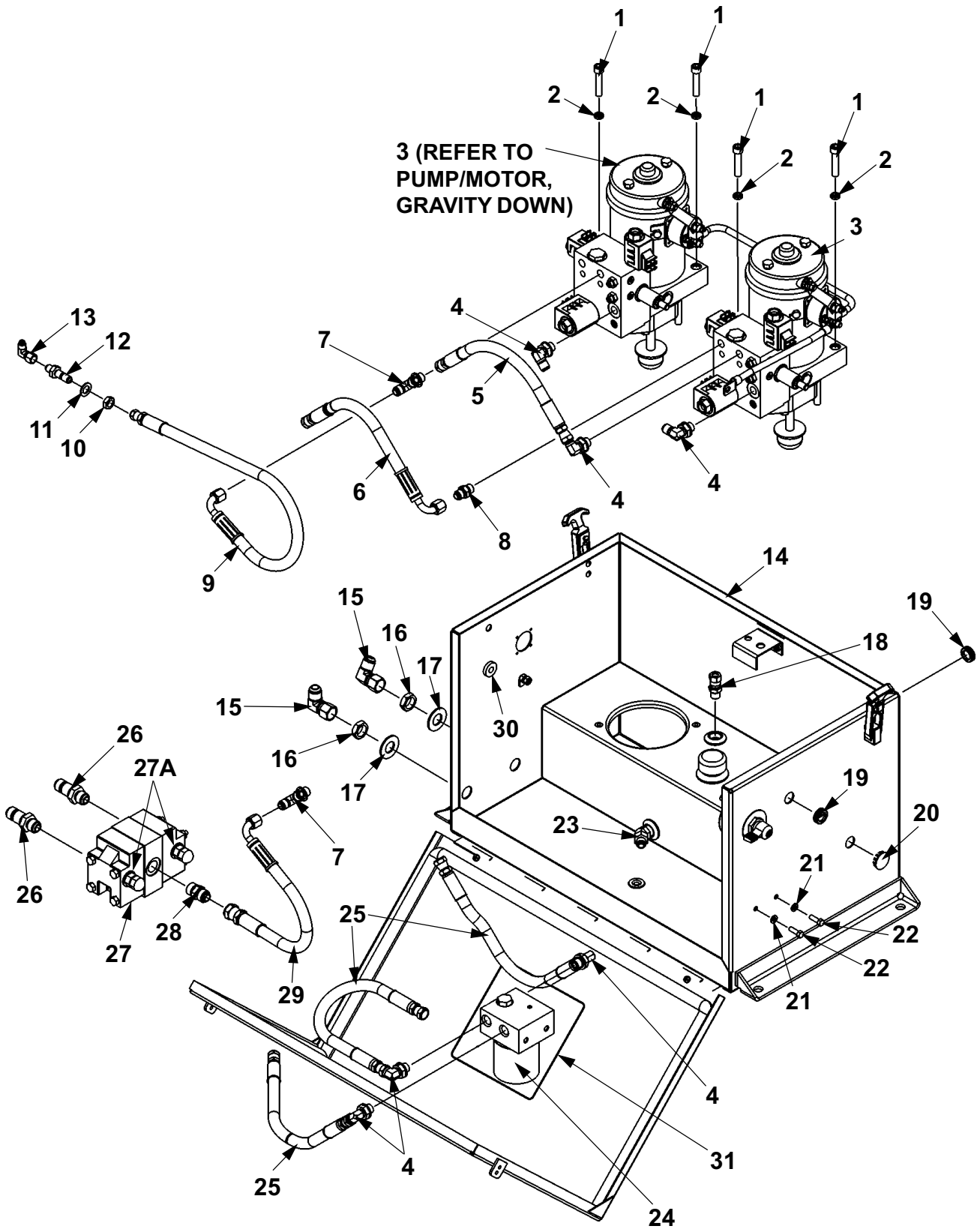
PUMP/MOTOR, GRAVITY DOWN P/N 263785



ITEM	QTY.	PART NO.	DESCRIPTION
1	2	253353	VALVE, SOLENOID 2-WAY
1A	1	226594	O-RING KIT, 2-WAY VALVE
2	1	262966	BUS BAR
3	1	265662	STARTER SOLENOID, 12 VDC, 4-POLE (MTE P/N 39002134)
		262939	STARTER SOLENOID, 12 VDC, 3-TERMINAL
4	1	905195	RELIEF VALVE
5	1	260250	FILTER
6	1	290019	VALVE, 2 POSITION, 3-WAY
6A	1	226595	O-RING KIT, 3-WAY VALVE
7	1	250093	MOTOR, 12 VDC
8	1	251884	O-RING
9	1	290003	GEAR PUMP

DUAL PUMP ASSEMBLY, GRAVITY DOWN

MAXON[®] 11921 Slauson Ave. Santa Fe Springs, CA. 90670 (800) 227-4116 FAX (888) 771-7713



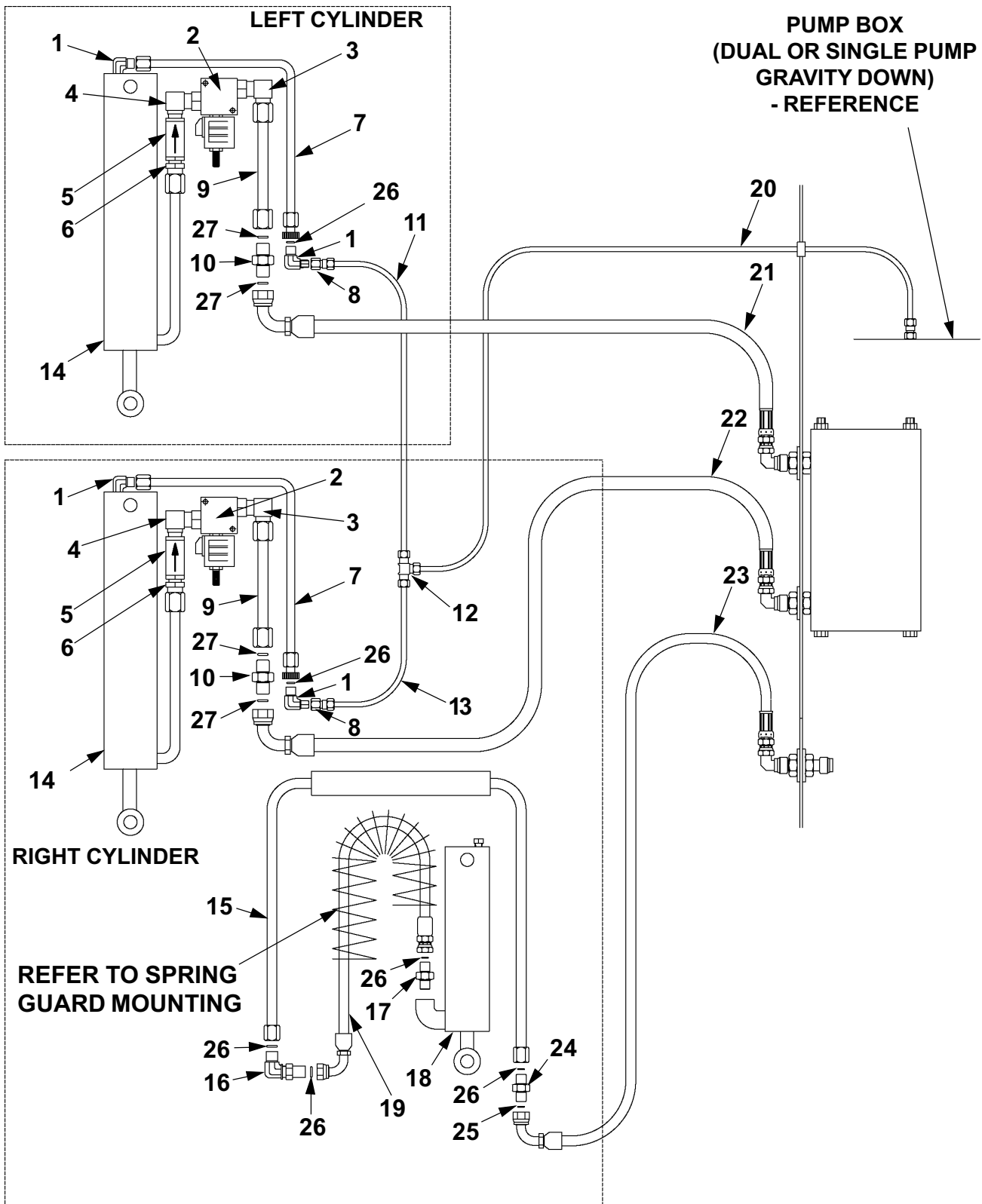
DUAL PUMP ASSEMBLY, GRAVITY DOWN

ITEM	QTY.	PART NO.	DESCRIPTION
1	4	263951	CAP SCREW, 3/8"-16 x 1-3/4"
2	4	263952	LOCK WASHER, 3/8"
3	2	263785	PUMP/MOTOR, GRAVITY DOWN
4	5	905152	ELBOW, 90°, SAE #6 x JIC 37 #6
5	1	264091	HOSE, 3/8" HP JIC #6 F-F 13.8"
6	1	263966	HOSE, 3/8" HP JIC #6 F-F x 14.4" LG.
7	2	264180	TEE, STRAIGHT THREAD, O-RING
8	1	905153	FITTING STR. THD. SAE #6 x JIC #6
9	1	264196	HOSE, 90°, 3/8" HP JIC #6
10	1	905085	NUT, BULKHEAD, JIC #4
11	1	902000-14	FLAT WASHER, 1/2" x 7/64"
12	1	905096	STRAIGHT UNION JIC #4
13	1	905027	ELBOW, JIC #4 M-F SW
14	1	264260	PUMP BOX ASSEMBLY
15	2	260120	ELBOW, 90°, JIC #8-M x JIC #8-F
16	2	261462	NUT, BULKHEAD, SAE 37° FLARE TWIN
17	2	030576	FLAT WASHER, 3/4" x 1-1/2"
18	1	202402	AIR FITTING
19	2	261416	GROMMET, 3/4"
20	1	263779	PLUG
21	2	902011-2	LOCK WASHER, 1/4" x 1/16" THK.
22	2	900004	HEX HEAD CAP SCREW, 1/4"-20 x 1/2"
23	1	905177	ELBOW, 45°, 3/8" NPT x 3/8" JIC
24	1	260920	SPIN-ON OIL FILTER
25	3	263967	HOSE, 3/8" HP JIC #6 F-F x 16.12" LG
26	2	261461	UNION, BULKHEAD, SAE 37° FLARE TWIN
27	1	253513	FLOW DIVIDER
27A	2	902024	WASHER, THREAD SEAL
28	1	253706	STRAIGHT UNION, SAE #8 x JIC #8 M-M
29	1	263971	HOSE, 3/8" HP JIC #6 F-F x 17.57" LG.
30	1	263981	GROMMET, 3/8"
31	1	265330-01	DECAL, G/D HYDRAULIC FLUID LEVEL

MAXON® 11921 Slauson Ave. Santa Fe Springs, CA. 90670 (800) 227-4116 FAX (888) 771-7713

HYDRAULIC COMPONENTS, GRAVITY DOWN

MAXON[®] 11921 Slauson Ave. Santa Fe Springs, CA. 90670 (800) 227-4116 FAX (888) 771-7713



HYDRAULIC COMPONENTS, GRAVITY DOWN

ITEM	QTY.	PART NO.	DESCRIPTION
1	4	905157	ELBOW, 3/8" x 1/4" M-M
2	2	253942	HYD. LOCK VALVE
3	2	905158	ELBOW STRAIGHT, #8 x #6 M-M
4	2	260164	ELBOW, 90° STRAIGHT, #6 x 1/4" M-M
5	2	253745	VALVE PRESSURE COMP.
6	2	905176	STRAIGHT CONNECTOR, #8 x #4 M-M
7	2	264027	"L" TUBE ASSEMBLY, 98" x 5"
8	2	905156	AIR BRAKE CONNECTOR
9	2	264026	TUBE ASSEMBLY, 96" LG
10	2	905161	UNION, #8 M-M
11	1	099996-02	TUBING, 84" LG
12	1	905155	TEE, 3/8"
13	1	099996-01	TUBING, 60" LG
14	2	263200-01	CYLINDER (FOR 35 & 44 BMR-A)
		253315-01	CYLINDER (FOR 55 & 66 BMR-A)
14A	1	280524	SEAL KIT, CYL. (FOR 35 & 44 BMR-A)
		280523	SEAL KIT, CYL. (FOR 55 & 66 BMR-A)
15	1	263997	"U" TUBE ASSEMBLY, 98" x 11"
16	1	905162	ELBOW, BULKHEAD UNION, #6 M-M
17	1	905179	CONNECTOR, #4 x #6 M-M
18	1	264103	CLOSING CYLINDER
18A	1	280528	SEAL KIT, CYLINDER
19	1	264109	HOSE ASSEMBLY HP, 46"
20	1	099996-02	TUBING, 84" LG
		099996-03	TUBING, 192" LG
		099996-08	TUBING, 324" LG
21	1	280223-02	HOSE ASSEMBLY HP, 166"
		280223-04	HOSE ASSEMBLY HP, 274"
		280223-06	HOSE ASSEMBLY HP, 394"
22	1	280223-01	HOSE ASSEMBLY HP, 64"
		280223-03	HOSE ASSEMBLY HP, 196"
		280223-05	HOSE ASSEMBLY HP, 316"
23	1	280232-01	HOSE ASSEMBLY HP, 56"
		280232-02	HOSE ASSEMBLY HP, 188"
		280232-03	HOSE ASSEMBLY HP, 308"
24	1	905180	UNION, FACE SEAL, #6-#4, 1/4"M-3/8"M
25	1	906712-01	O-RING, #4 (1/4" FACE SEAL TUBE-END)
26	1	906712-02	O-RING, #6 (3/8" FACE SEAL TUBE-END)
27	1	906712-03	O-RING, #8 (1/2" FACE SEAL TUBE-END)

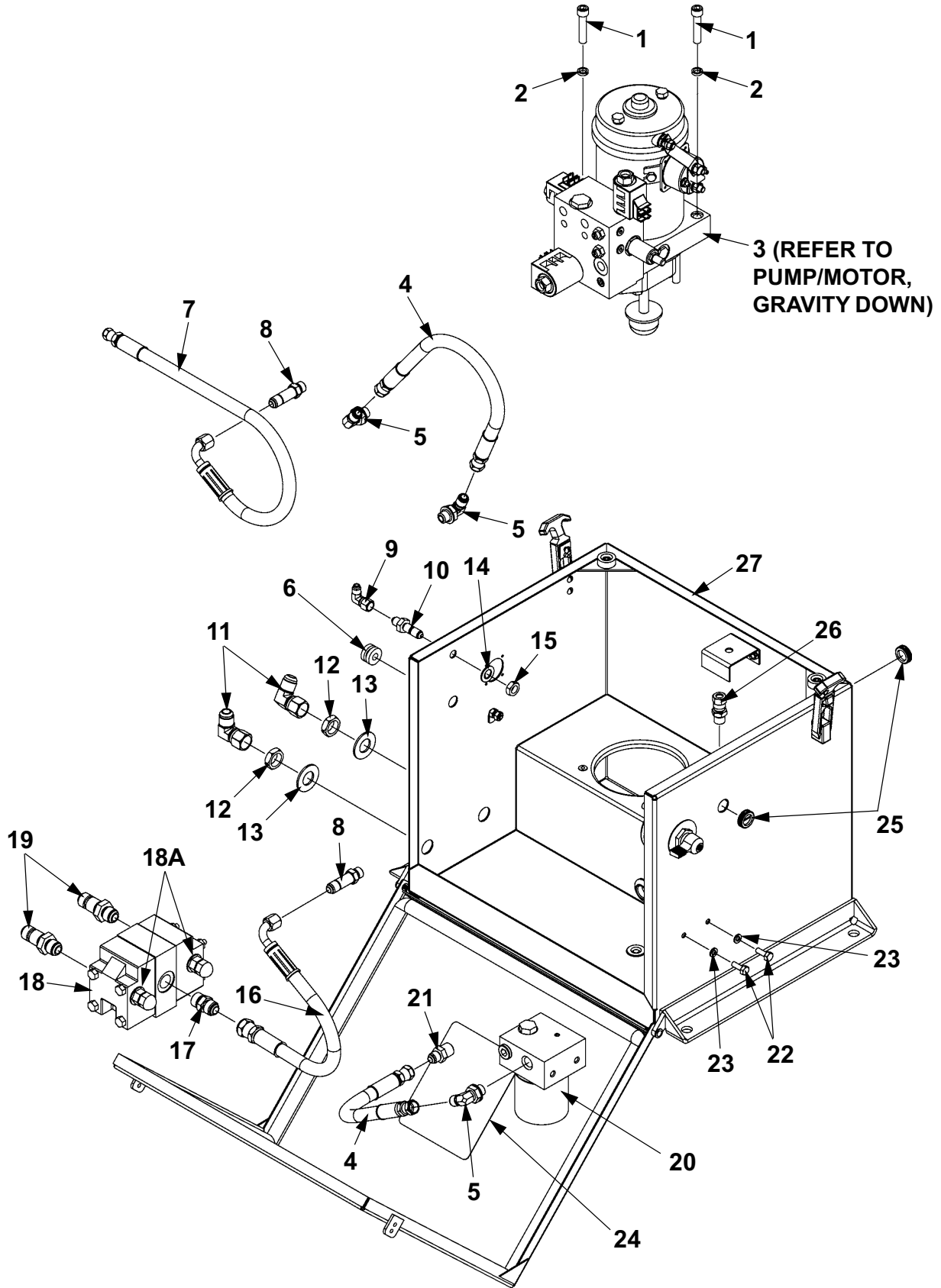
MAXON® 11921 Slauson Ave. Santa Fe Springs, CA. 90670 (800) 227-4116 FAX (888) 771-7713

SINGLE PUMP ASSEMBLY, GRAVITY DOWN

P/N 280230

MAXON[®]

11921 Slauson Ave. Santa Fe Springs, CA. 90670 (800) 227-4116 FAX (888) 771-7713



SINGLE PUMP ASSEMBLY, GRAVITY DOWN P/N 280230

ITEM	QTY.	PART NO.	DESCRIPTION
1	2	263951	CAP SCREW, 3/8"-16 x 1-3/4"
2	2	263952	LOCK WASHER, 3/8"
3	1	263785	PUMP/MOTOR, GRAVITY DOWN
4	2	263967	HOSE, 3/8" HP JIC #6 F-F x 16.12" LG
5	3	905152	ELBOW, 90°, SAE #6 x JIC 37 #6
6	1	263981	GROMMET, 3/8"
7	1	264196	HOSE, 90°, 3/8" HP JIC #6
8	2	905214	FITTING, STR. THD., O-RING SAE #6 & JIC
9	1	905027	ELBOW, JIC #4 M-F SW
10	1	905096	STRAIGHT UNION JIC #4
11	2	260120	ELBOW, 90°, JIC #8-M x JIC #8-F
12	2	261462	NUT, BULKHEAD, SAE 37° FLARE TWIN
13	2	902000-20	FLAT WASHER, .750" x .090" THK
14	1	902000-14	FLAT WASHER, 1/2" x 7/64"
15	1	905085	NUT, BULKHEAD, JIC #4
16	1	263971	HOSE, 3/8" HP JIC #6 F-F x 17.57" LG.
17	1	253706	STRAIGHT UNION, SAE #8-M JIC #8-M
18	1	253513	FLOW DIVIDER
18A	2	902024	WASHER, THREAD SEAL
19	2	261461	UNION, BULKHEAD, SAE 37° FLARE TWIN
20	1	260920	SPIN-ON OIL FILTER
21	1	403071	CONNECTOR, 3/8" x 3/8" MALE
22	2	900004-2	HEX HEAD CAP SCREW, 1/4"-20 x 3/4"
23	2	902011-2	LOCK WASHER, 1/4" x 5/8"
24	1	265330-01	DECAL, G/D HYDRAULIC FLUID LEVEL
25	2	261416	GROMMET, 3/4"
26	1	202402	AIR FITTING
27	1	280241	SINGLE PUMP BOX ASSEMBLY

MAXON® 11921 Slauson Ave. Santa Fe Springs, CA. 90670 (800) 227-4116 FAX (888) 771-7713

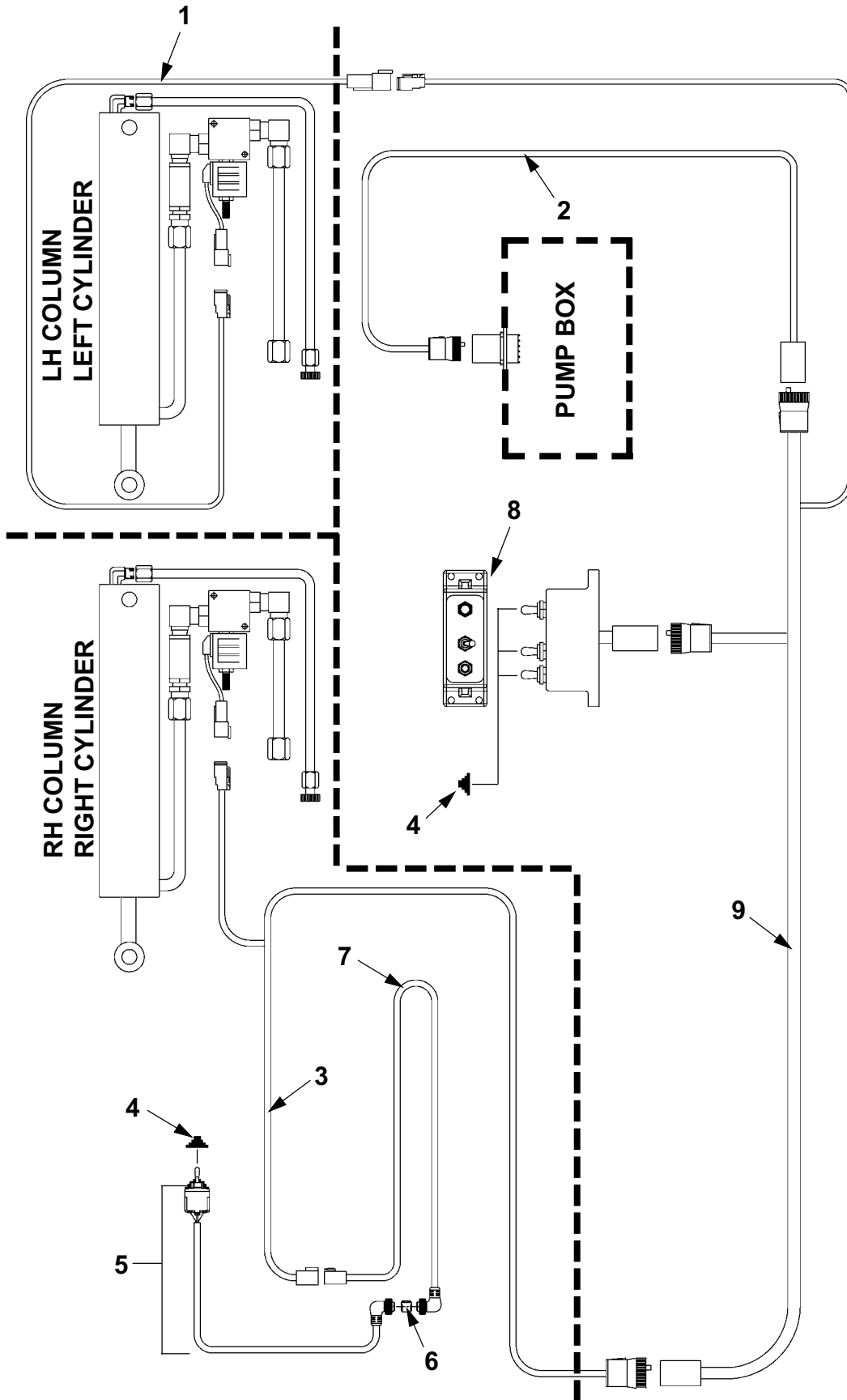
MAXON[®]

11921 Slauson Ave. Santa Fe Springs, CA. 90670 (800) 227-4116 FAX (888) 771-7713

THIS PAGE INTENTIONALLY LEFT BLANK

ELECTRICAL COMPONENTS SECTION

ELECTRICAL COMPONENTS



MAXON®

11921 Slauson Ave. Santa Fe Springs, CA. 90670 (800) 227-4116 FAX (888) 771-7713

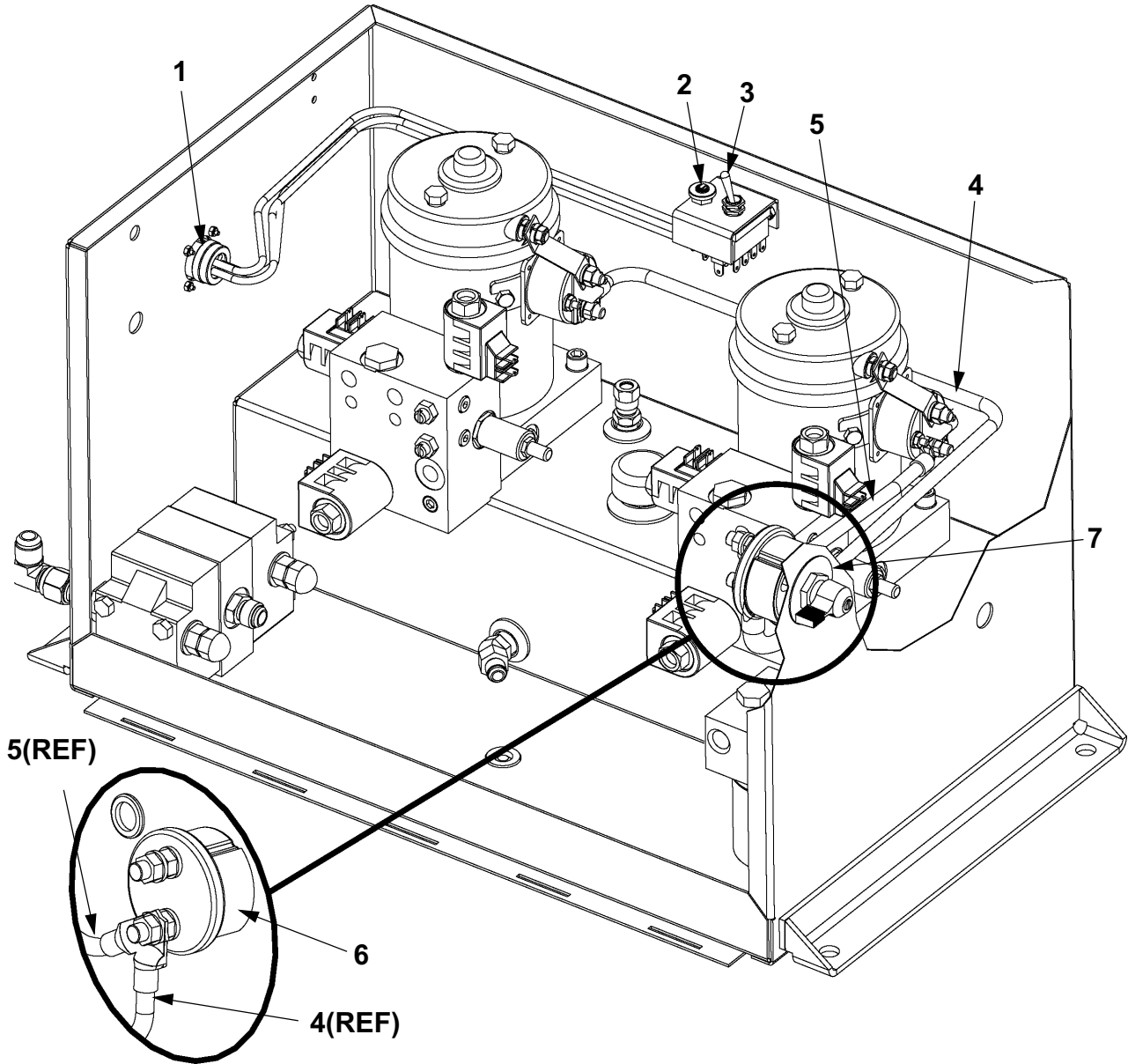
ELECTRICAL COMPONENTS

ITEM	QTY.	PART NO.	DESCRIPTION
1	1	263733	HARNESS ASSEMBLY, "D" VALVE (LH COLUMN)
2	1	263726-04	EXTENSION HARNESS, PUMP BOX, 264" LG
		263726-01	EXTENSION HARNESS, PUMP BOX, 144" LG
		263726-03	EXTENSION HARNESS, PUMP BOX, 60" LG
3	1	263725	HARNESS ASSEMBLY (RH COLUMN)
4	4	905206	SWITCH SEAL BOOT, HALF-TOGGLE
5	1	260529	SWITCH & CABLE ASSEMBLY, BMR
6	1	253793	ADAPTER, ALUMINUM JOIN
7	1	263751	CABLE ASSEMBLY FLEXIBLE
8	1	280253	CONTROL BOX BMR-A POWER DOWN
		280252	CONTROL BOX BMR-A GRAVITY DOWN
9	1	280285	INTERCONNECT HARNESS, BMR-A GRAVITY DOWN
		280286	INTERCONNECT HARNESS, BMR-A POWER DOWN

MAXON[®] 11921 Slauson Ave. Santa Fe Springs, CA. 90670 (800) 227-4116 FAX (888) 771-7713

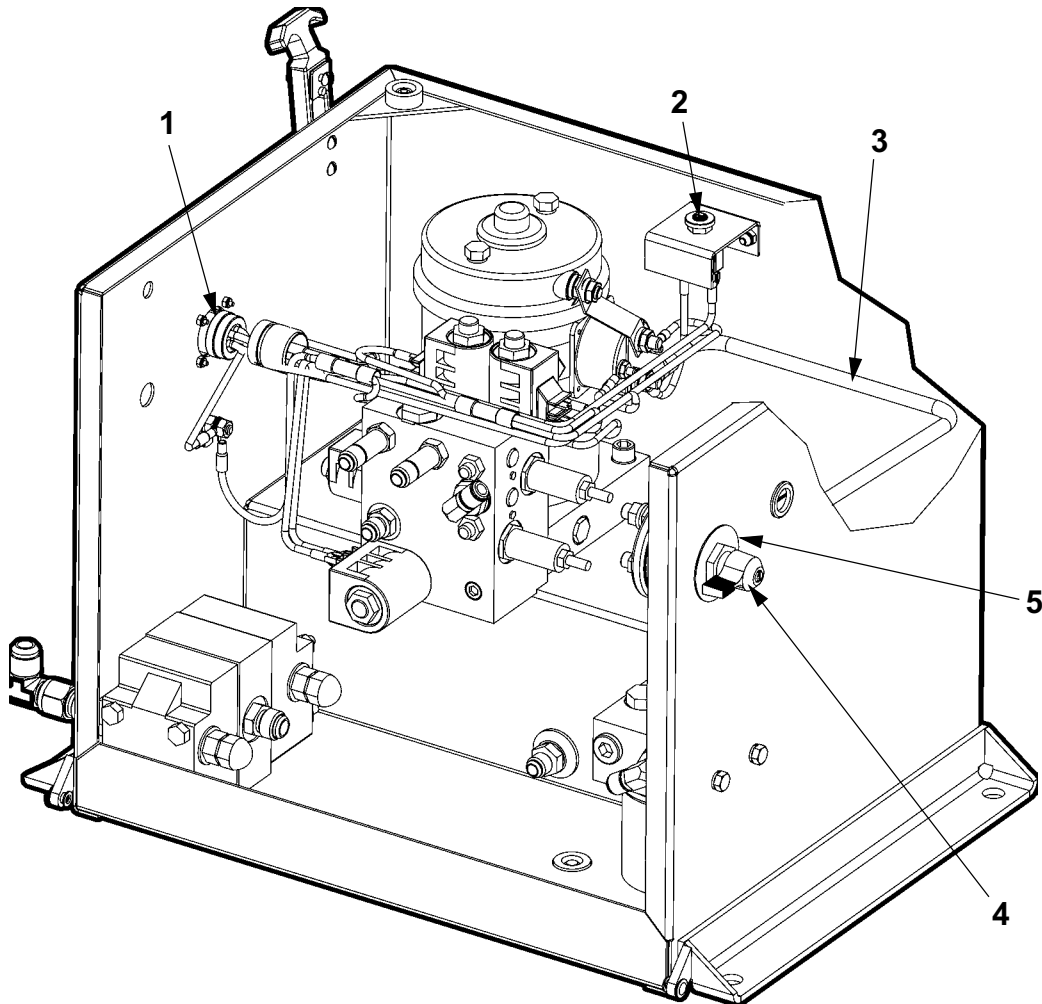
ELECTRICAL COMPONENTS - DUAL PUMP BOX

MAXON[®] 11921 Slauson Ave. Santa Fe Springs, CA. 90670 (800) 227-4116 FAX (888) 771-7713



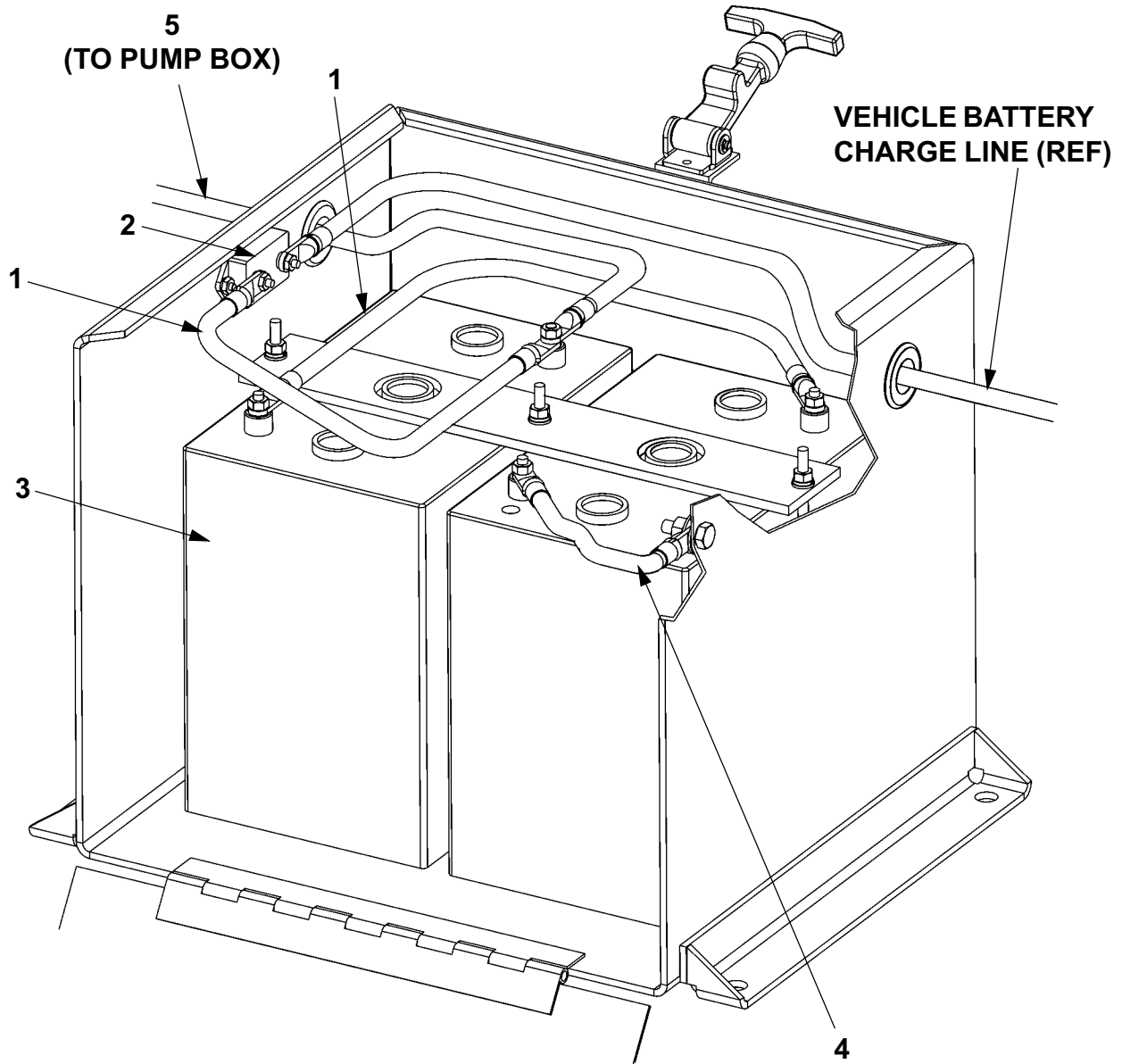
ITEM	QTY.	PART NO.	DESCRIPTION
1	1	280235	SOLENOID HARNESS, GRAVITY DOWN
		264255	SOLENOID HARNESS, POWER DOWN
2	1	264179	CIRCUIT BREAKER
3	1	264163	TOGGLE SWITCH, 2 POSITION
4	1	251871-20	CABLE ASSEMBLY
5	1	251871-14	CABLE ASSEMBLY
6	1	228754	SWITCH, MASTER DISCONNECT
7	1	228755	PLATE, SWITCH FACE

ELECTRICAL COMPONENTS - SINGLE PUMP BOX



ITEM	QTY.	PART NO.	DESCRIPTION
1	1	280225	SOLENOID HARNESS, GRAVITY DOWN
		280242	SOLENOID HARNESS, POWER DOWN
2	1	264179	CIRCUIT BREAKER
3	1	251871-12	CABLE ASSEMBLY
4	1	228754	SWITCH, MASTER DISCONNECT
5	1	228755	PLATE, SWITCH FACE

ELECTRICAL COMPONENTS - BATTERY BOX



ITEM	QTY.	PART NO.	DESCRIPTION
1	2	251871-05	CABLE ASSEMBLY
2	1	221736	CIRCUIT BREAKER 150 AMP
3	2	250934	BATTERY, 6V HEAVY DUTY
4	1	251871-14	CABLE ASSEMBLY
5	1	251871-11	CABLE ASSEMBLY

MAXON[®] 11921 Slauson Ave. Santa Fe Springs, CA. 90670 (800) 227-4116 FAX (888) 771-7713