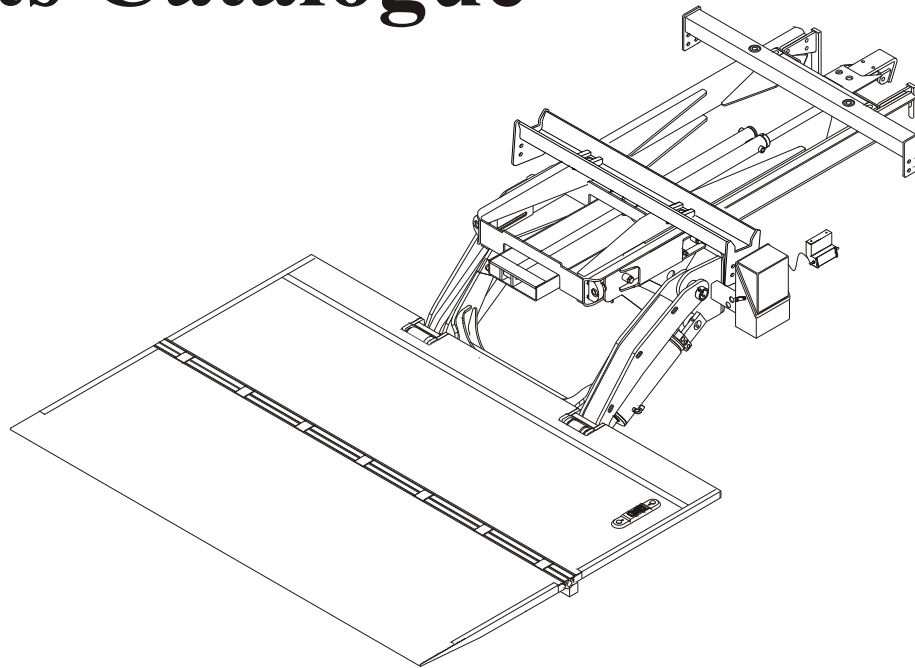


# MAXON®

## Spare Parts Catalogue



**MAXON®**  
Lift CORP.

11921 Slauson Avenue.  
Santa Fe Springs, CA 90670  
(800) 227 - 4116

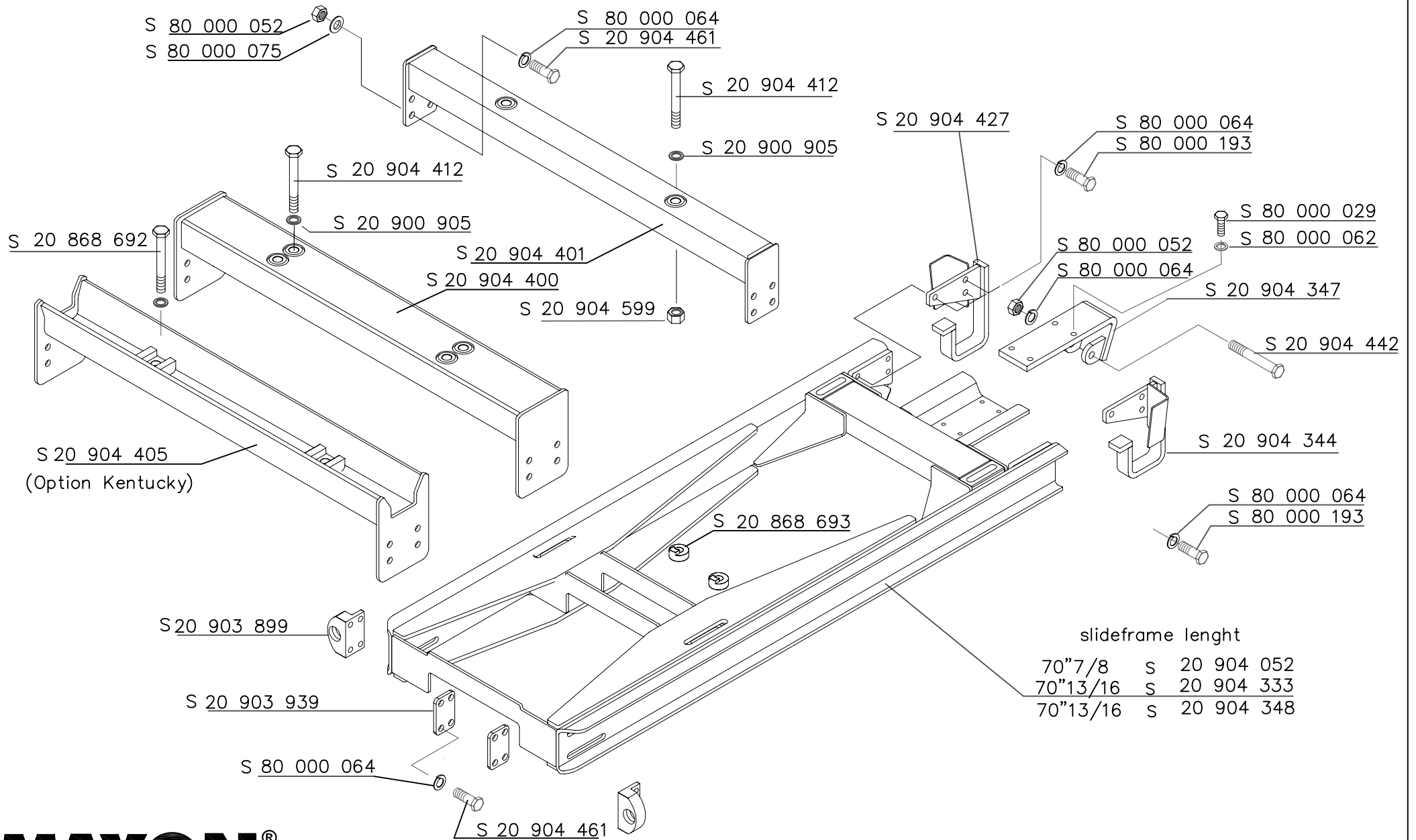
# Slidelift

## Series

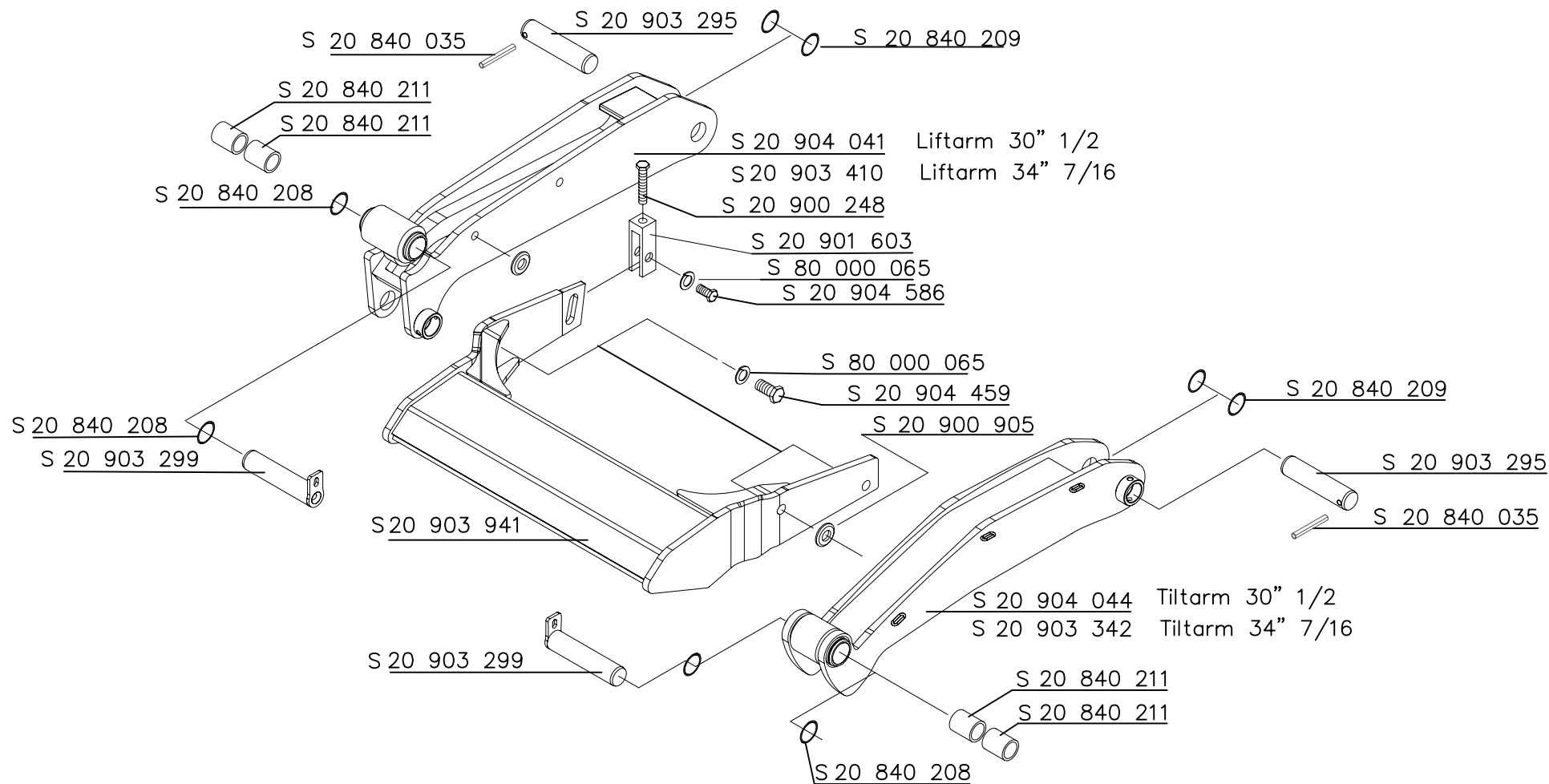
## GPS 55 X1

**X1** *THAT'S IT!*  
TECHNOLOGY

Document no. S 20 904 495  
© Sörensen Hydraulik GmbH  
Print date 25.11.2009

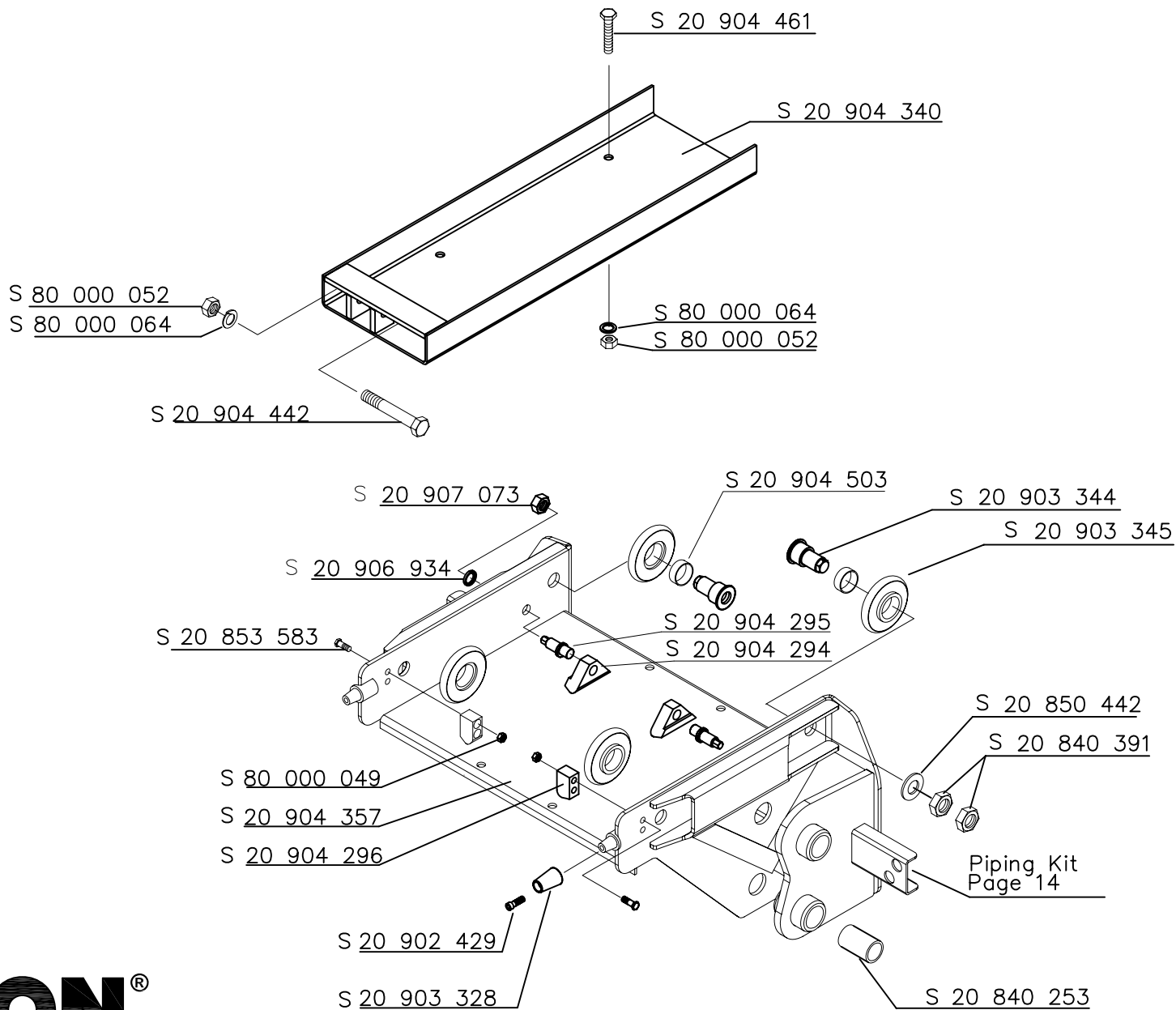


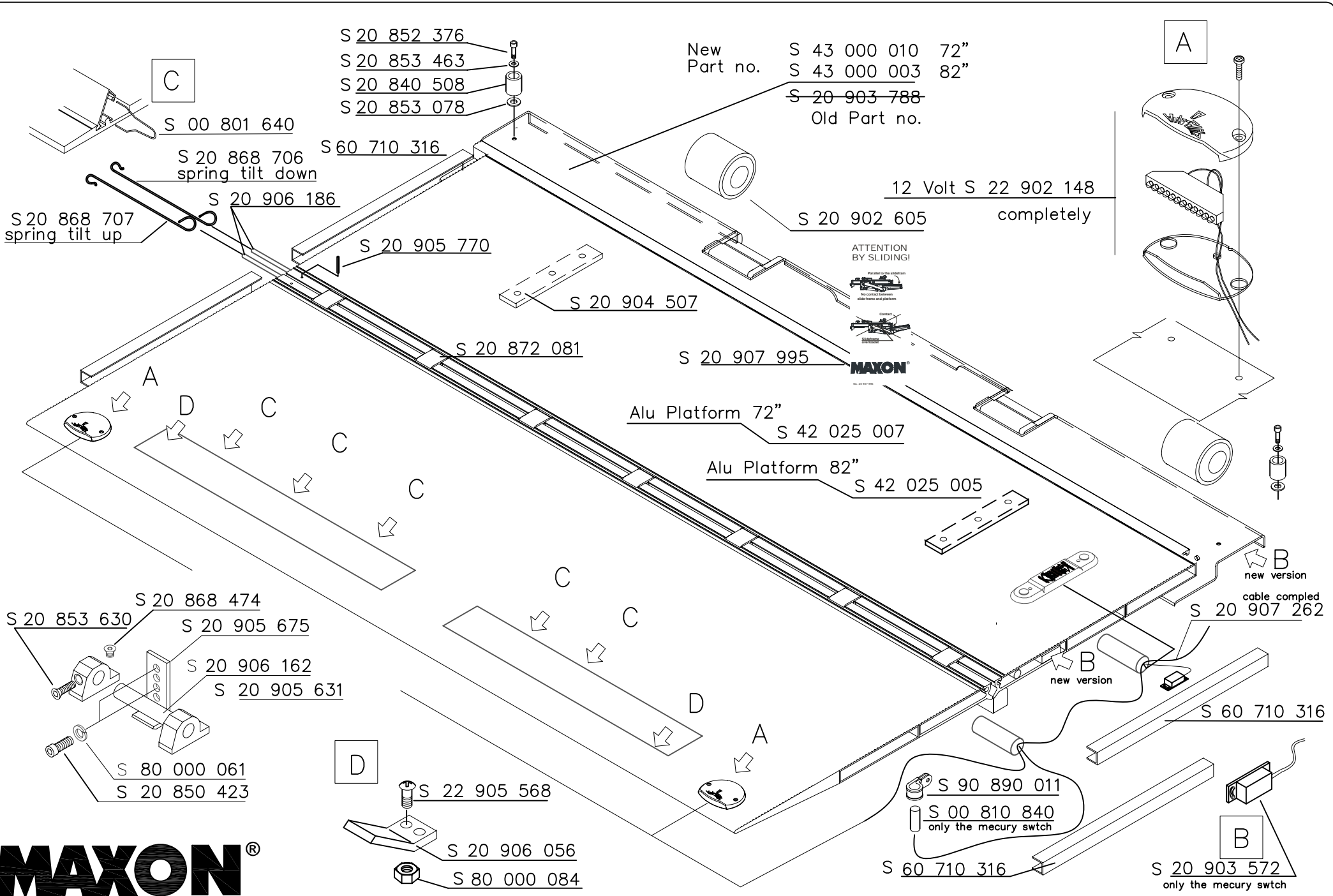
# Lifting mechanism



**MAXON**<sup>®</sup>

GPS 55 X1





- S 20 852 376
- S 20 853 463
- S 20 840 508
- S 20 853 078

New Part no. S 43 000 010 72"  
 S 43 000 003 82"  
~~S 20 903 788~~  
 Old Part no.

A

C

S 00 801 640

S 20 868 706  
 spring tilt down

S 60 710 316

S 20 906 186

S 20 868 707  
 spring tilt up

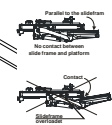
S 20 905 770

S 20 902 605

12 Volt S 22 902 148  
 completely

S 20 904 507

ATTENTION  
 BY SLIDING!



S 20 907 995

**MAXON**  
 THE GPS SYSTEM

Alu Platform 72"  
 S 42 025 007

Alu Platform 82"  
 S 42 025 005

S 20 872 081

A

D

C

C

C

C

C

D

A

D

S 22 905 568

S 20 906 056

S 80 000 084

S 20 853 630

S 20 868 474

S 20 905 675

S 20 906 162

S 20 905 631

S 80 000 061

S 20 850 423

B  
 new version

cable compled  
 S 20 907 262

B  
 new version

S 60 710 316

S 90 890 011

S 00 810 840  
 only the mecury switch

S 60 710 316

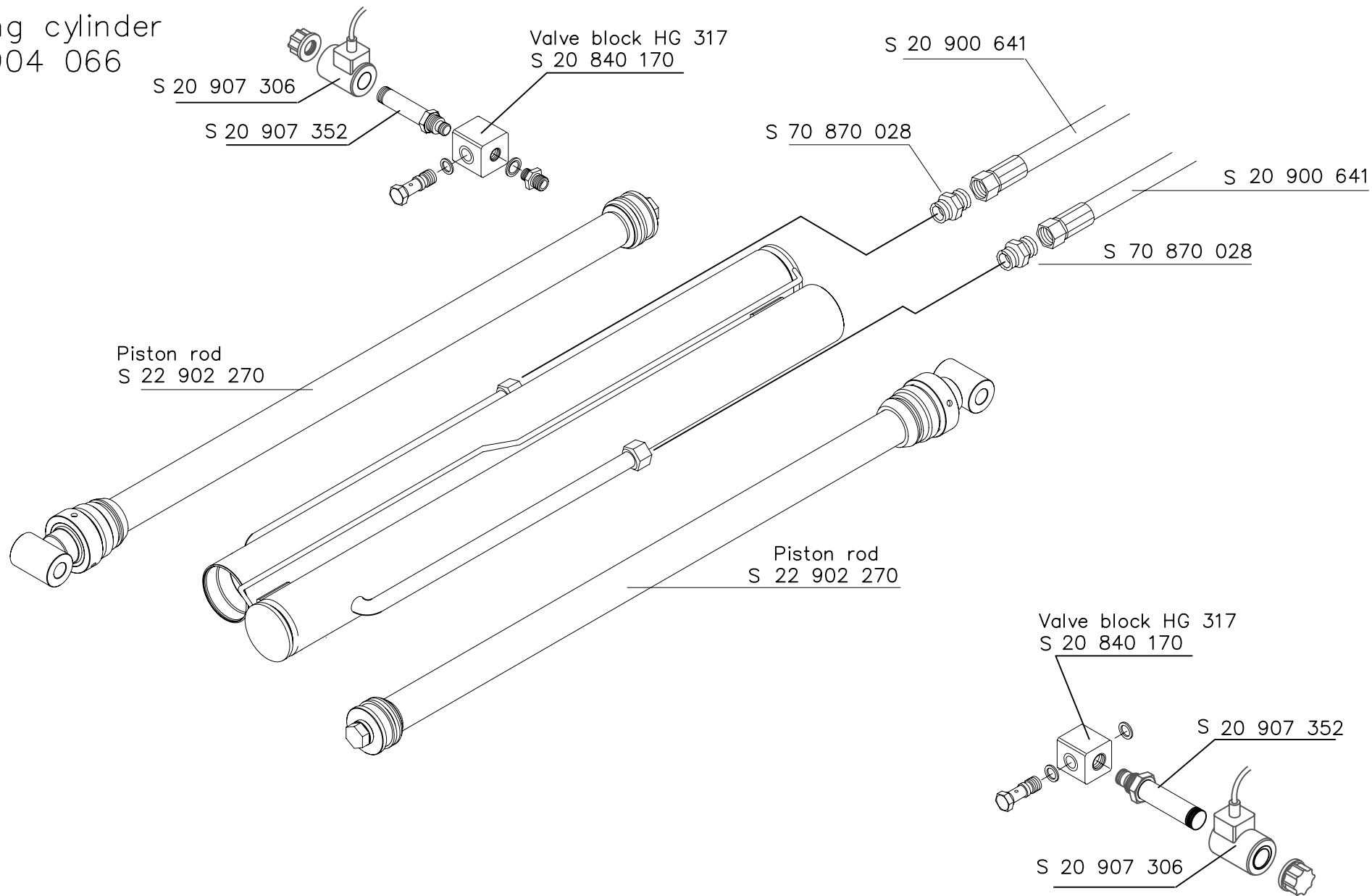
B

S 20 903 572  
 only the mecury switch

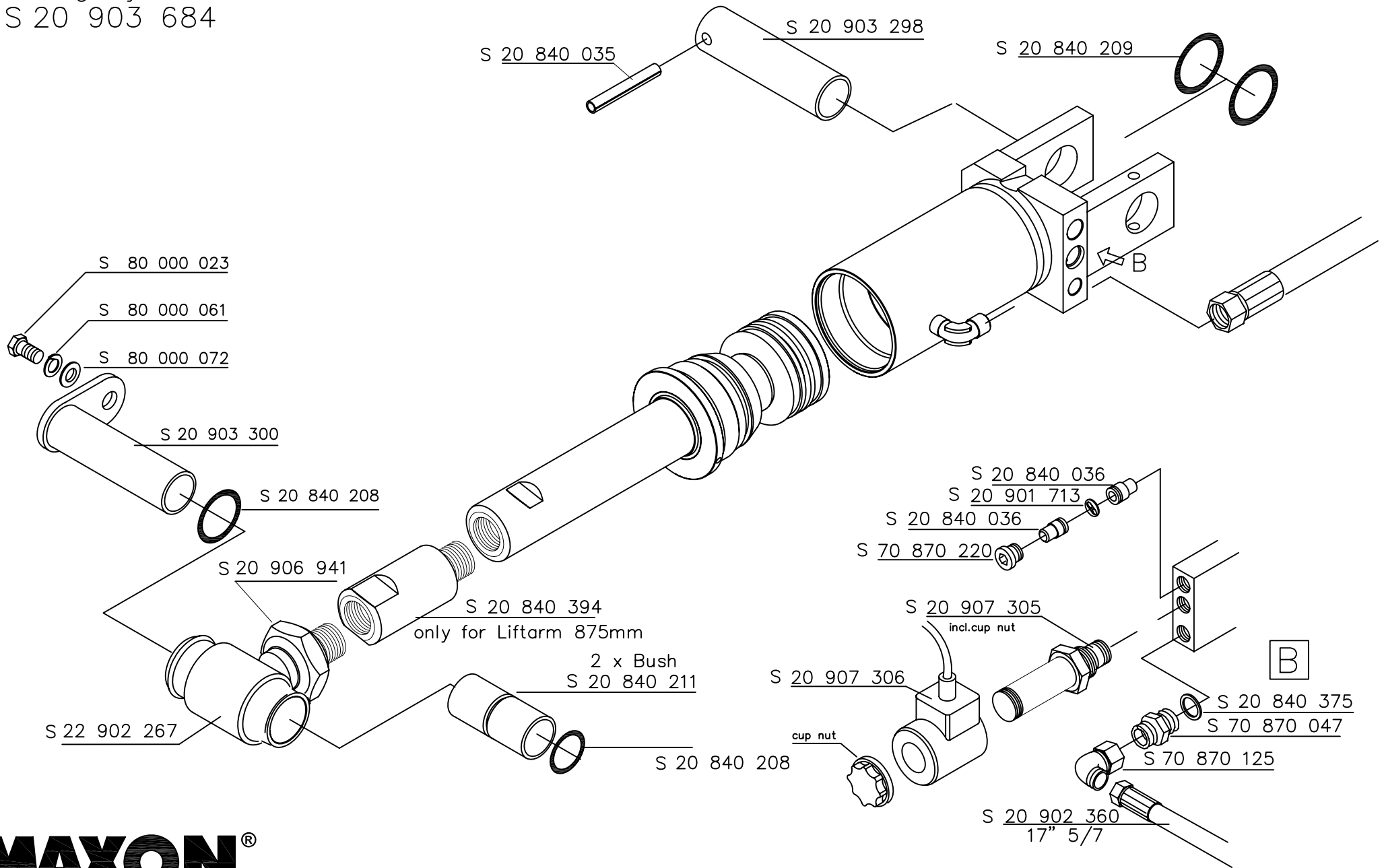
**MAXON**®

GPS 55 X1

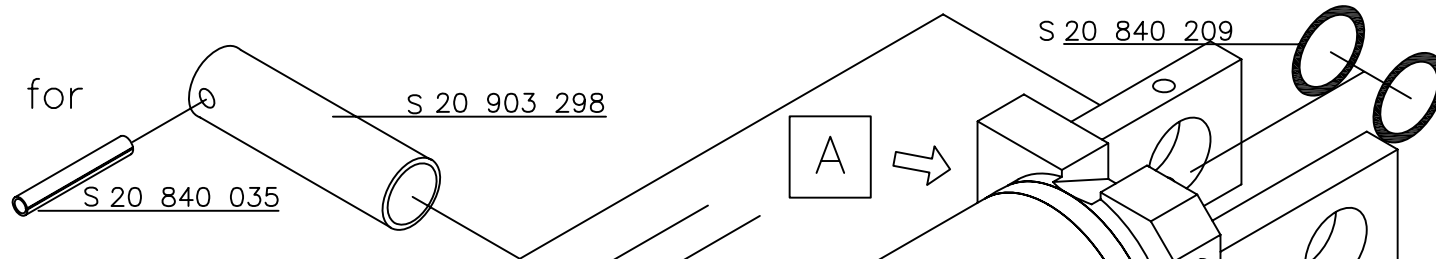
Sliding cylinder  
20 904 066



Tilting cylinder  
S 20 903 684



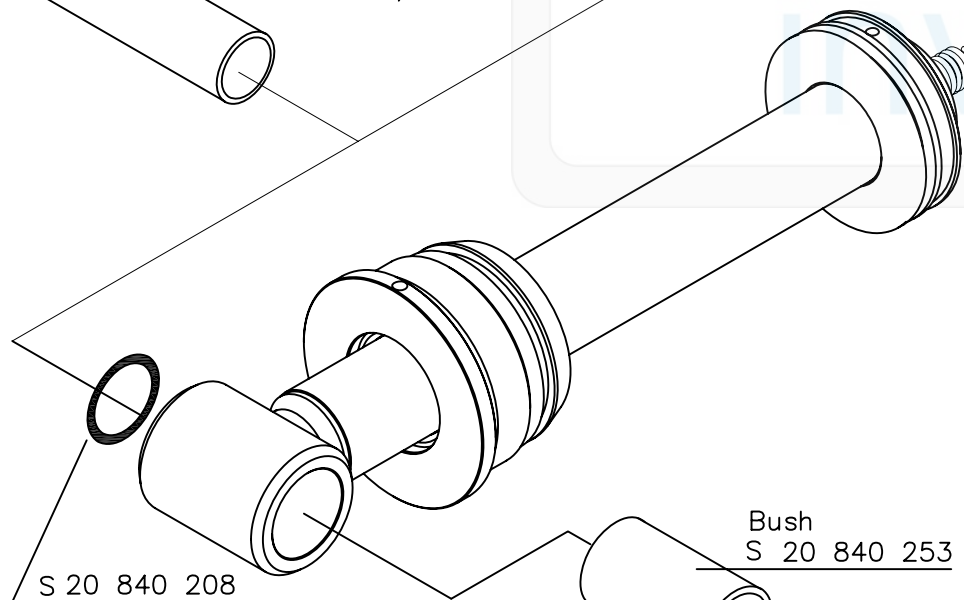
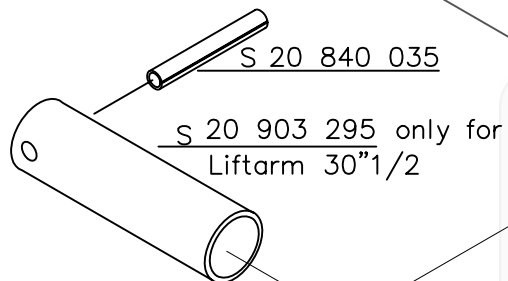
Lift cylinder  
 S 20 903 037 replaced for  
 20 905 489



- S 80 000 023
- S 80 000 061
- S 80 000 072

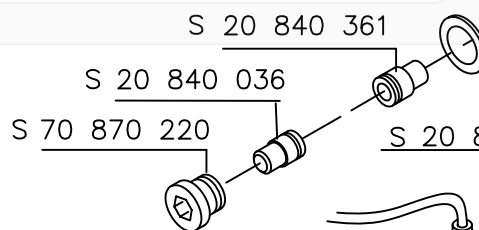
S 20 900 641

S 20 905 737 only for  
 Liftarm 34"7/16



S 20 840 208

S 20 841 001  
 Pressure Switch

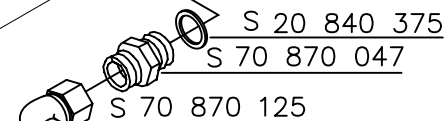


12 Volt- S 20 901 707

S 22 902 176

Seal kit

S 20 900 641  
 29" 1/2

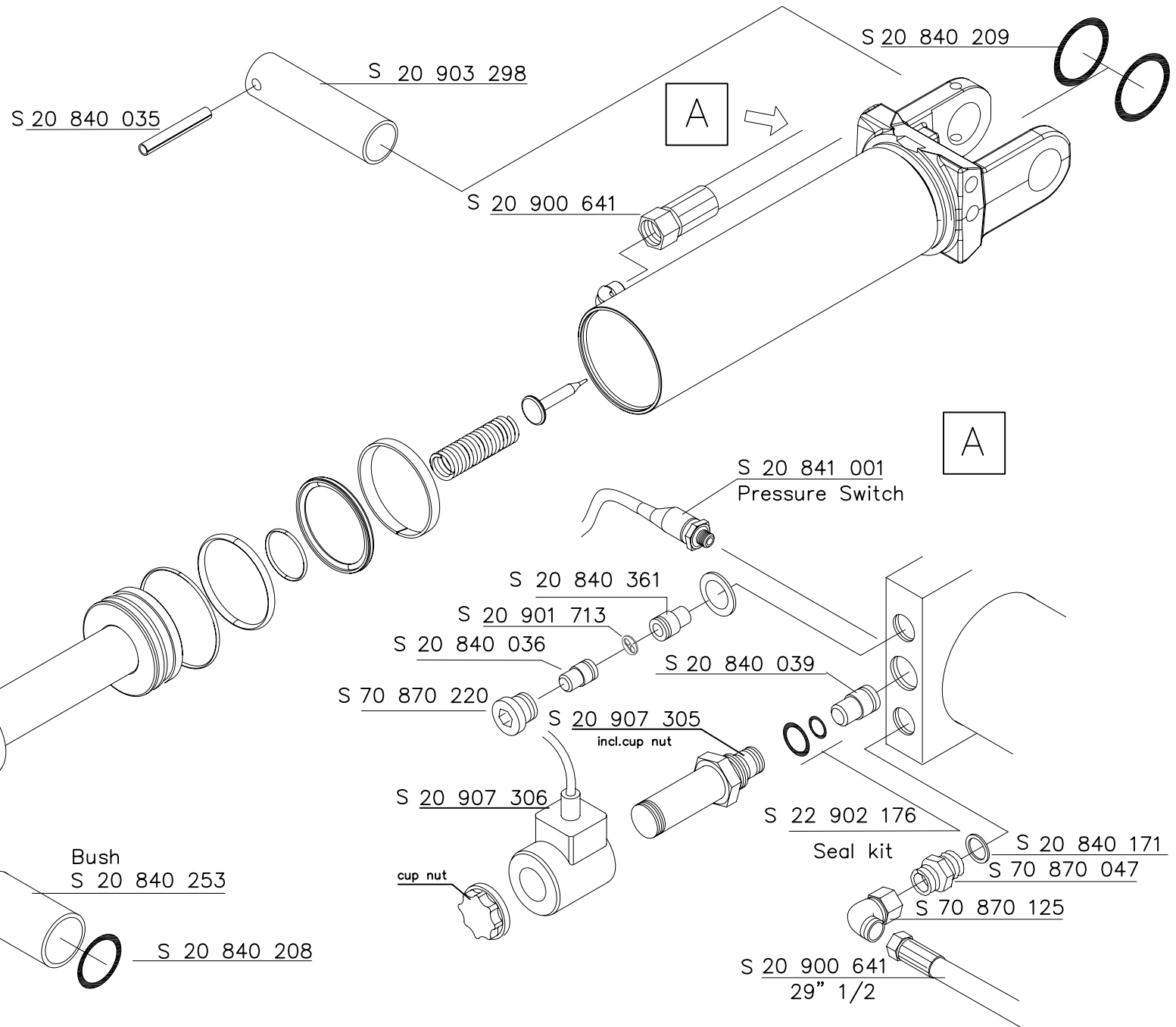


**MAXON**®

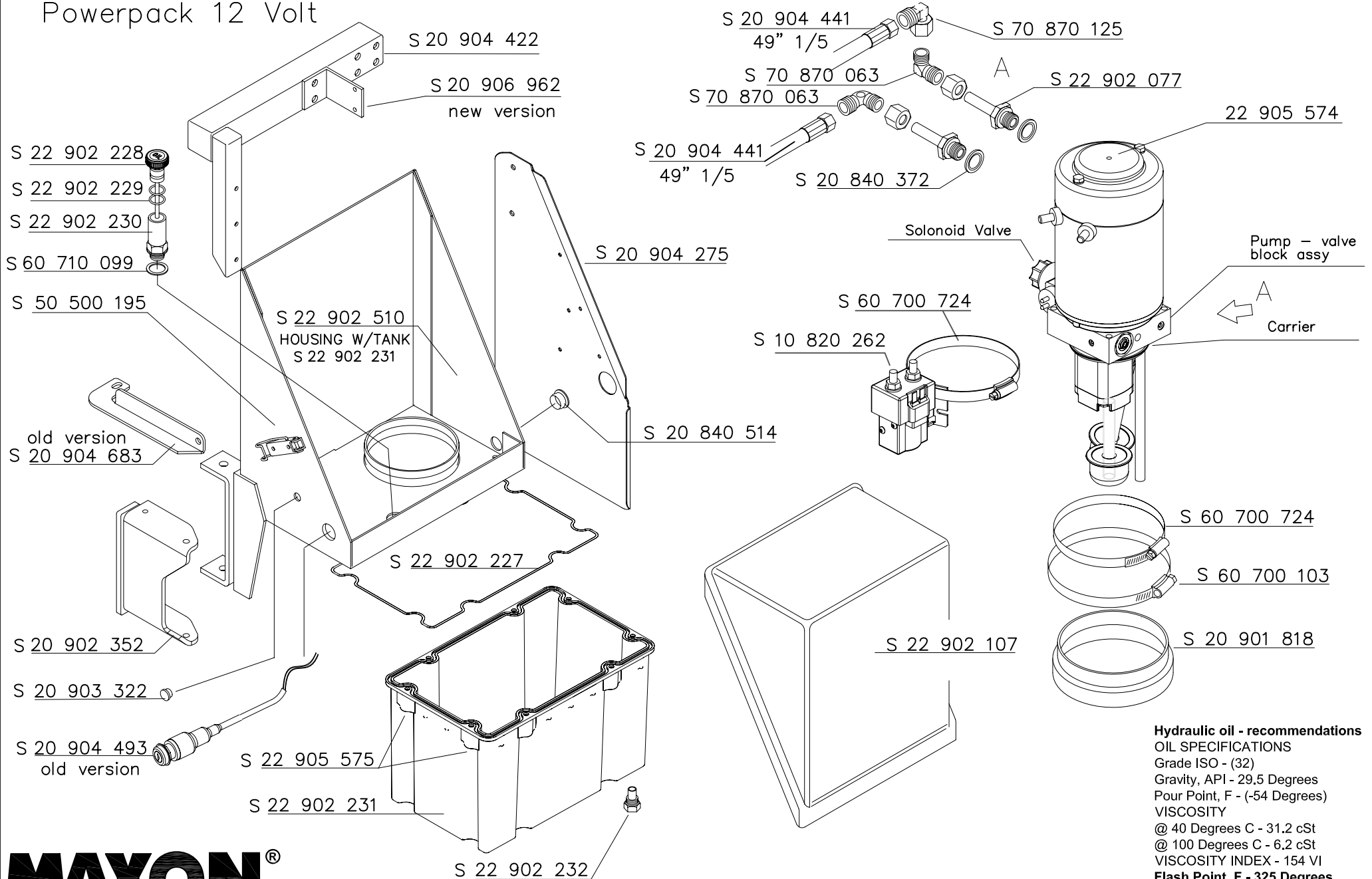
GPS 55 X1



Lift cylinder  
S 20 905 489



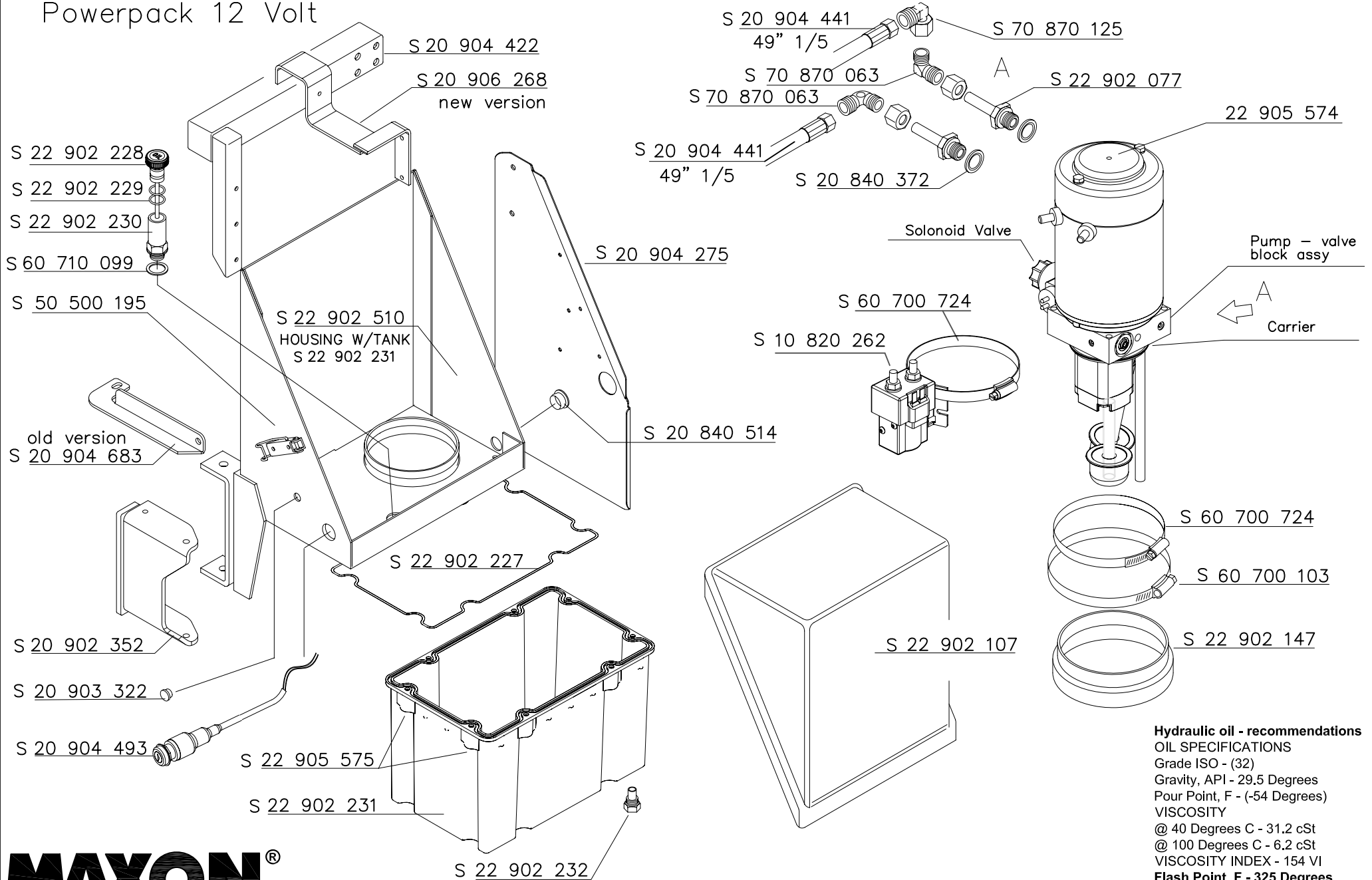
# Powerpack 12 Volt



**MAXON**<sup>®</sup>  
GPS 55 X1

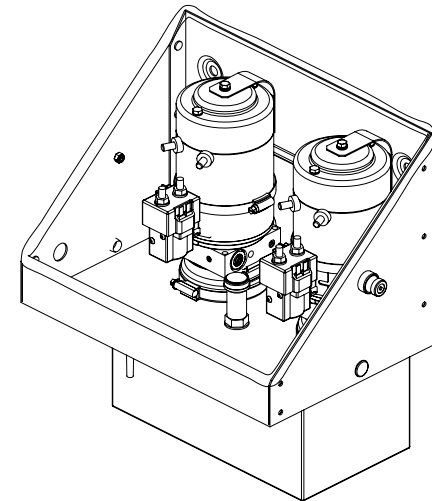
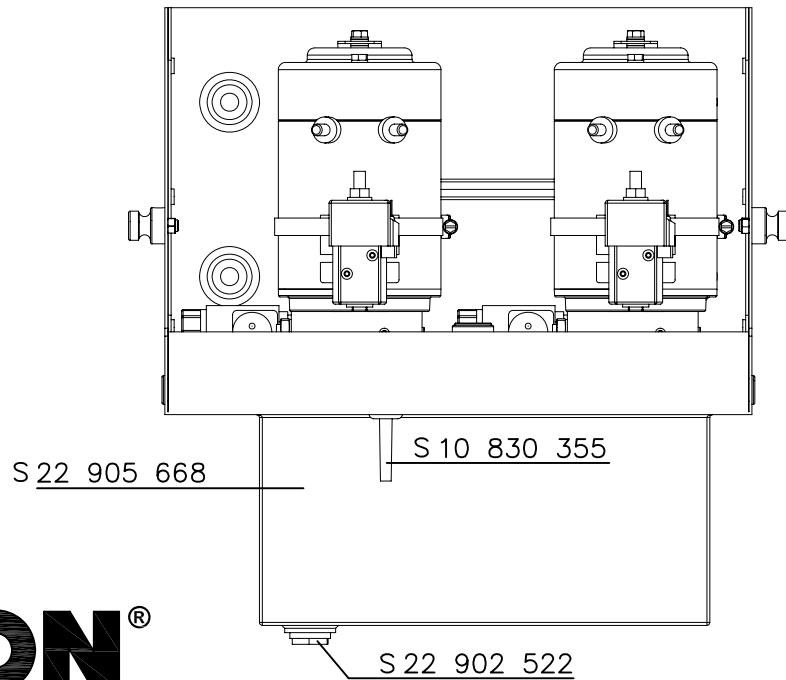
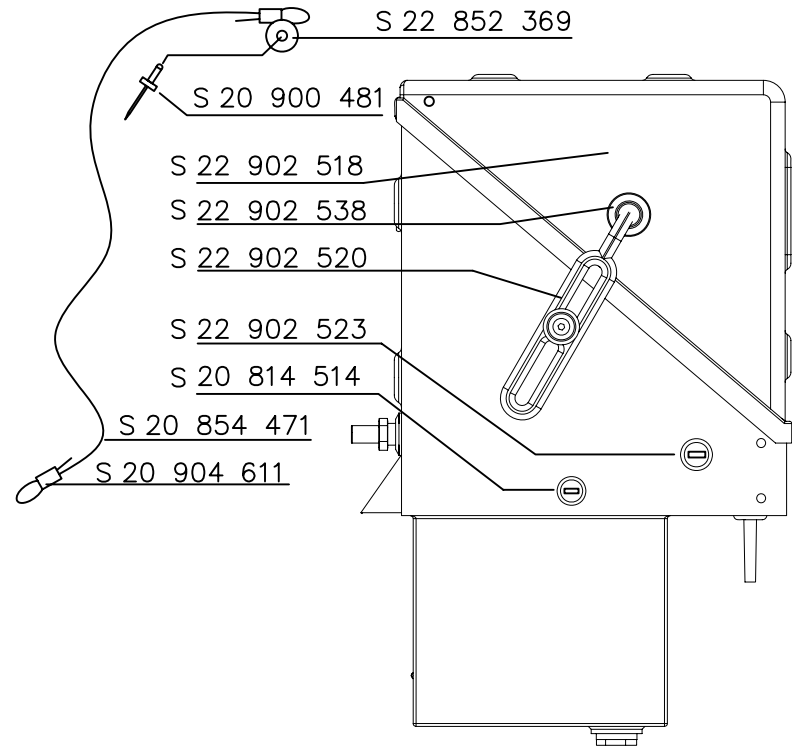
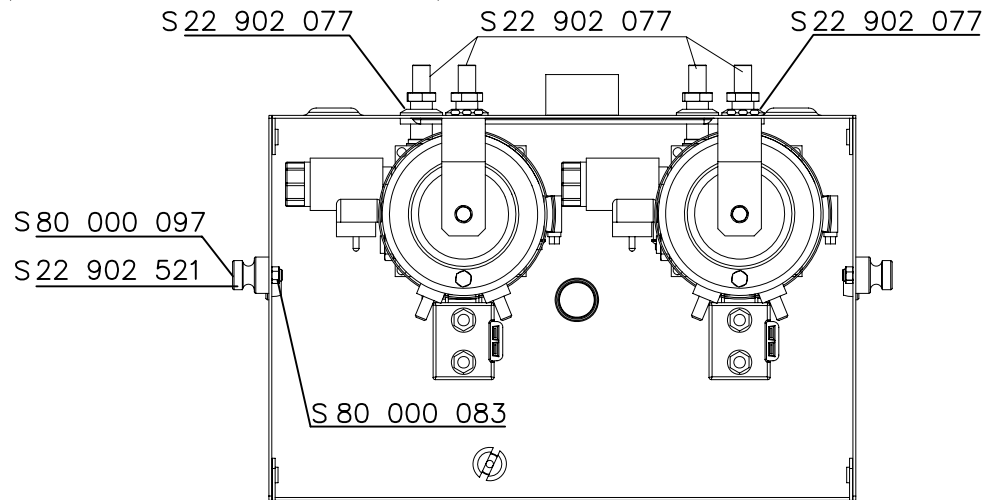
**Hydraulic oil - recommendations**  
 OIL SPECIFICATIONS  
 Grade ISO - (32)  
 Gravity, API - 29,5 Degrees  
 Pour Point, F - (-54 Degrees)  
 VISCOSITY  
 @ 40 Degrees C - 31.2 cSt  
 @ 100 Degrees C - 6.2 cSt  
 VISCOSITY INDEX - 154 VI  
 Flash Point, F - 325 Degrees

# Powerpack 12 Volt

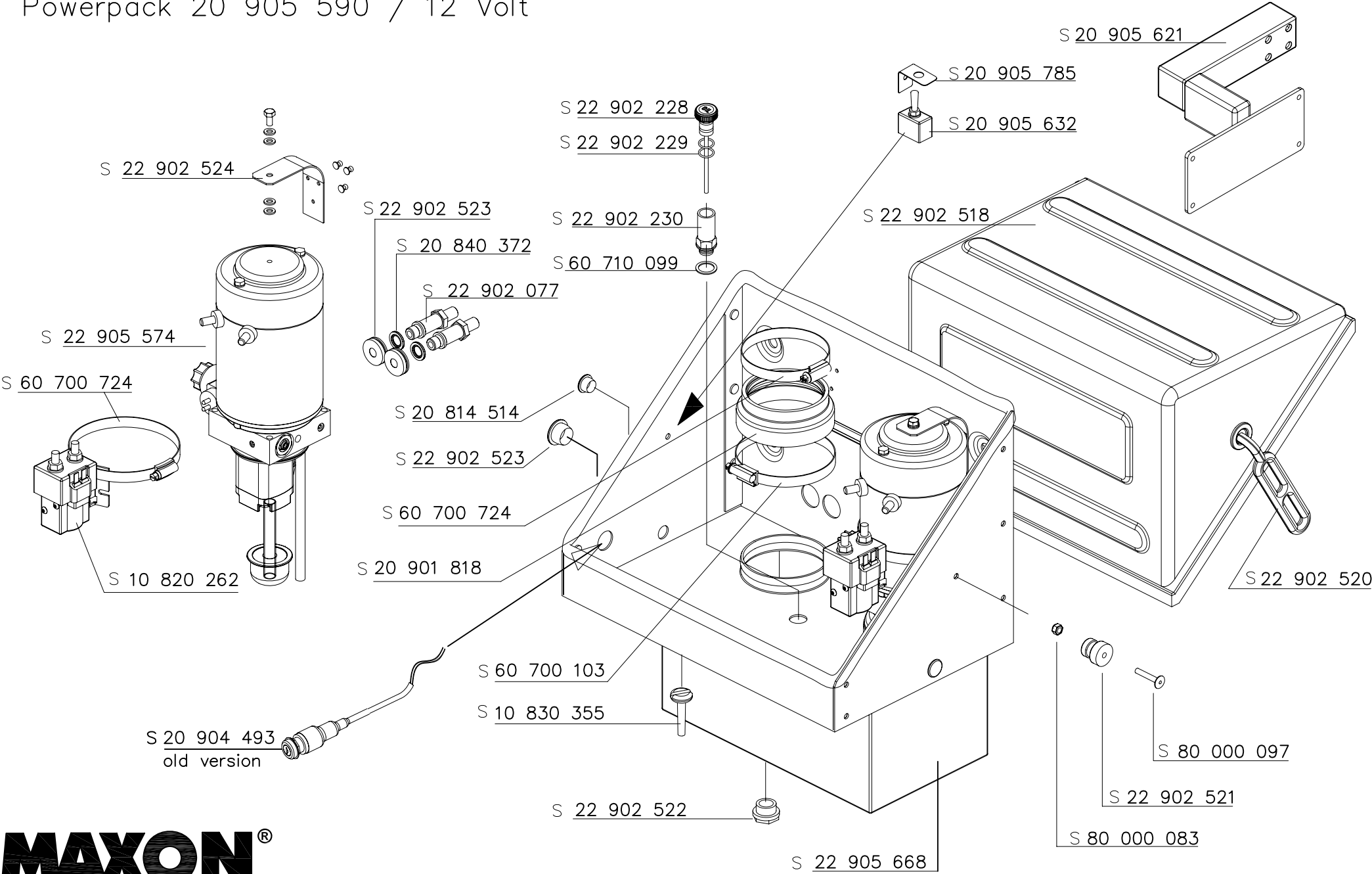


**Hydraulic oil - recommendations**  
 OIL SPECIFICATIONS  
 Grade ISO - (32)  
 Gravity, API - 29,5 Degrees  
 Pour Point, F - (-54 Degrees)  
 VISCOSITY  
 @ 40 Degrees C - 31.2 cSt  
 @ 100 Degrees C - 6.2 cSt  
 VISCOSITY INDEX - 154 VI  
 Flash Point, F - 325 Degrees

Powerpack 20 905 590 / 12 Volt

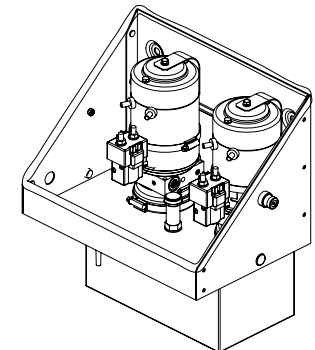
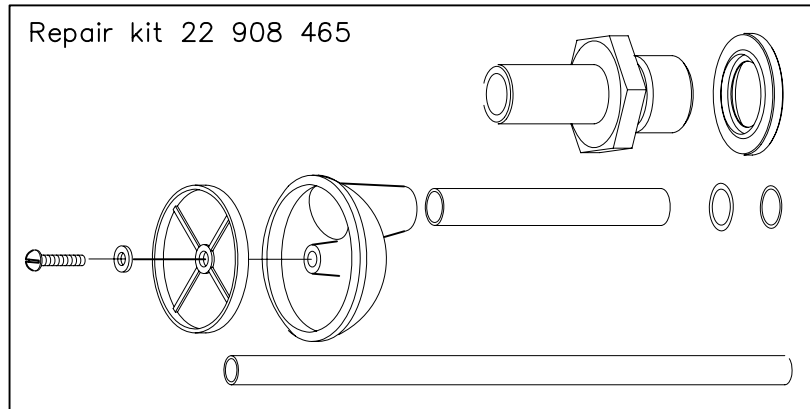
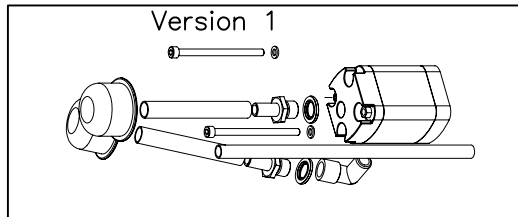
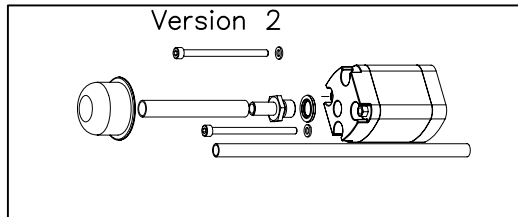
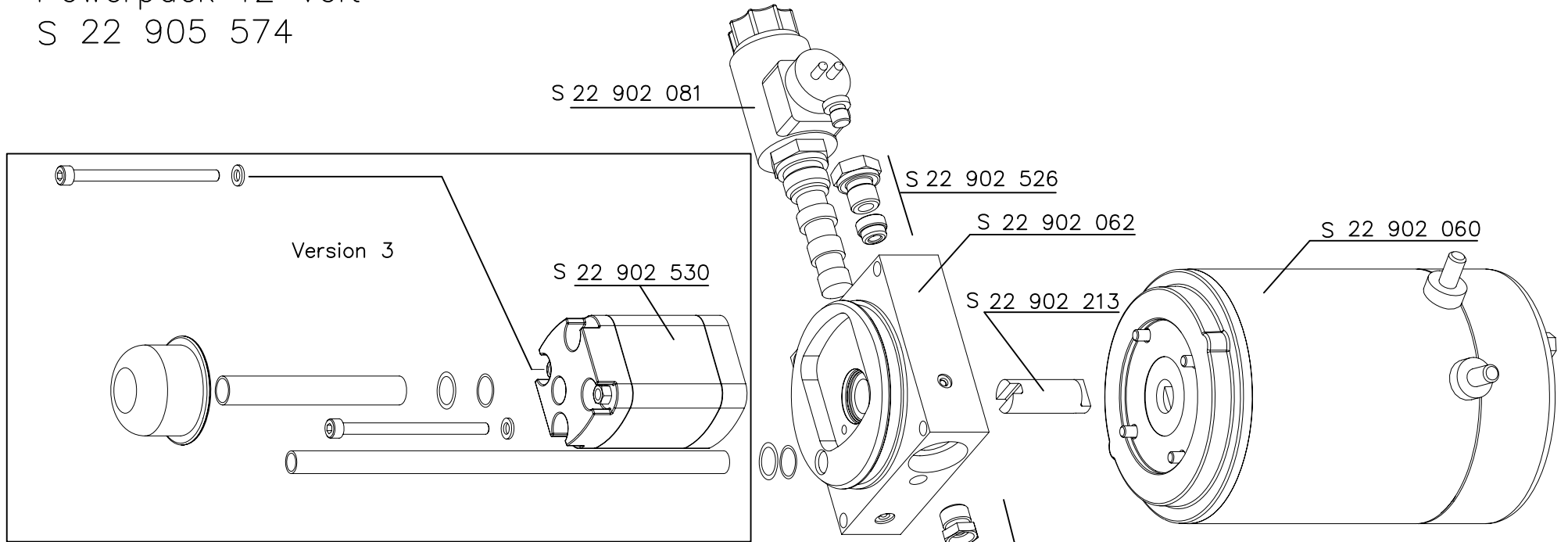


Powerpack 20 905 590 / 12 Volt

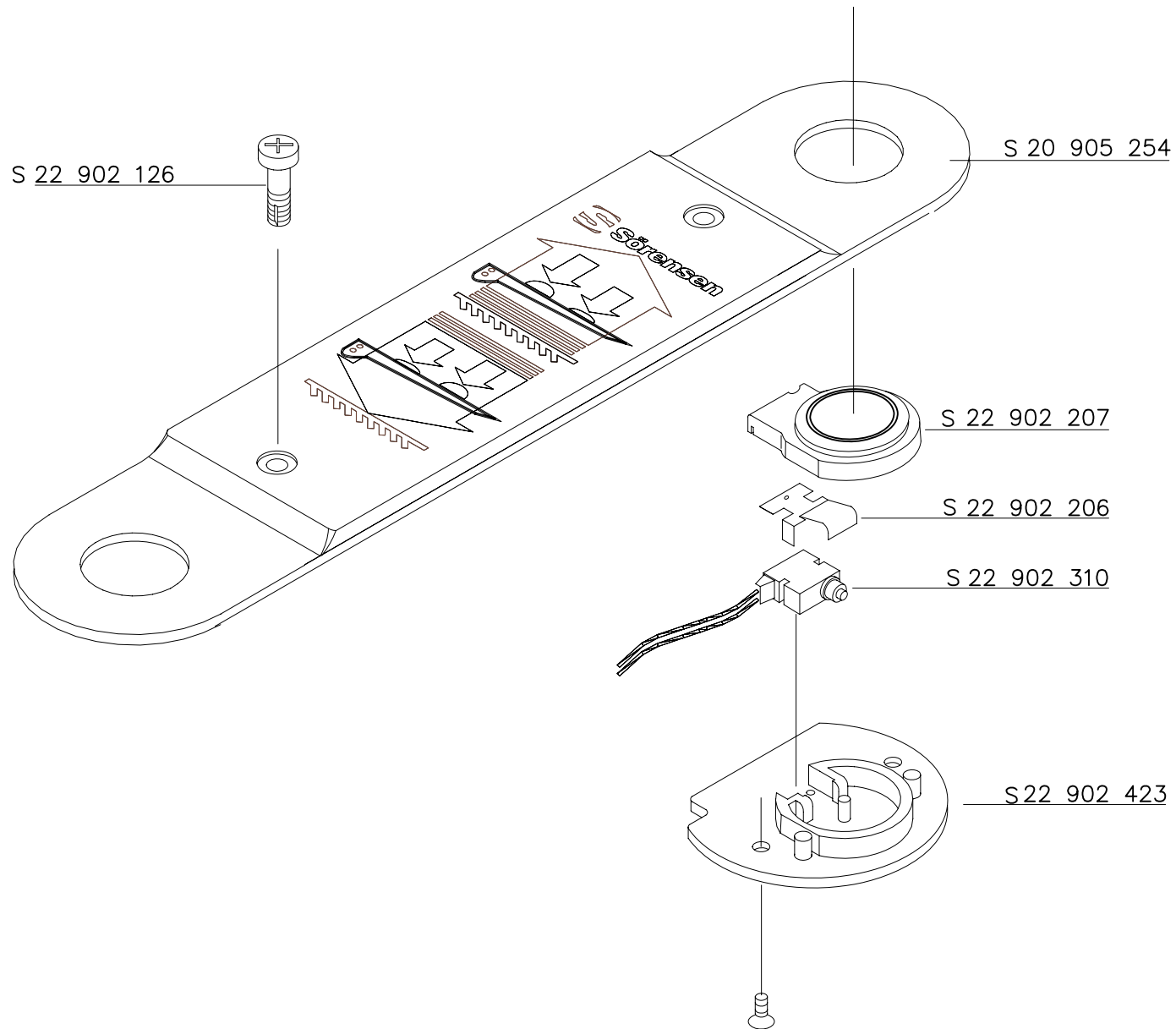


**MAXON®**  
GPS 55 X1

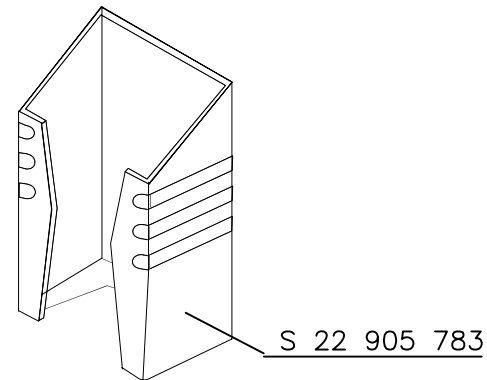
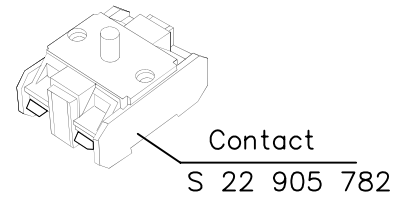
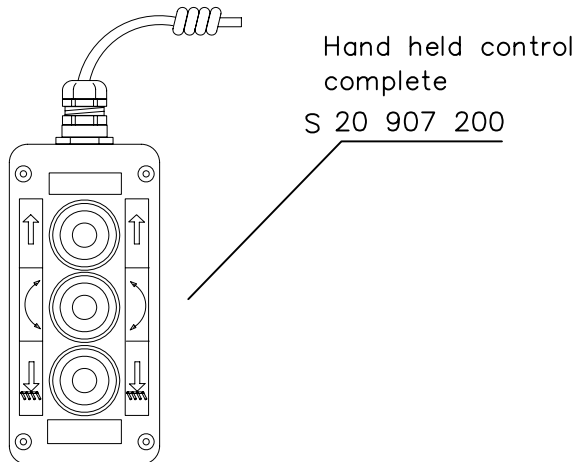
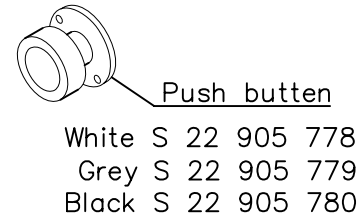
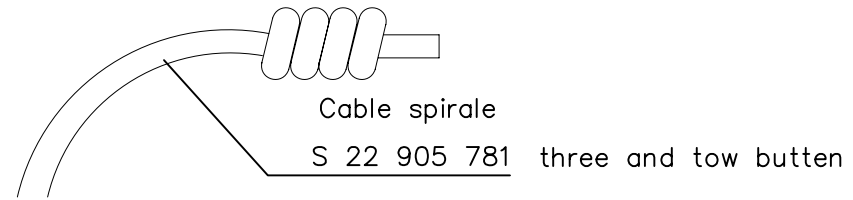
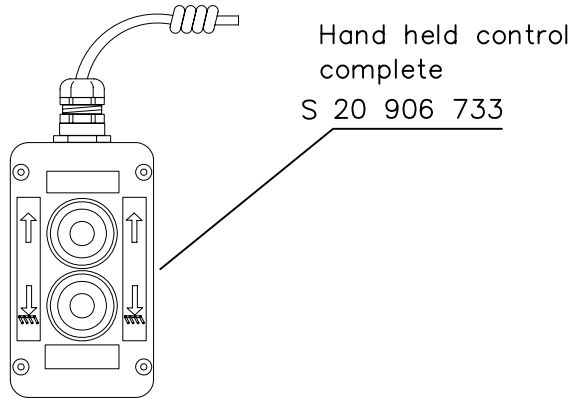
Powerpack 12 Volt  
S 22 905 574



# Footcontrol



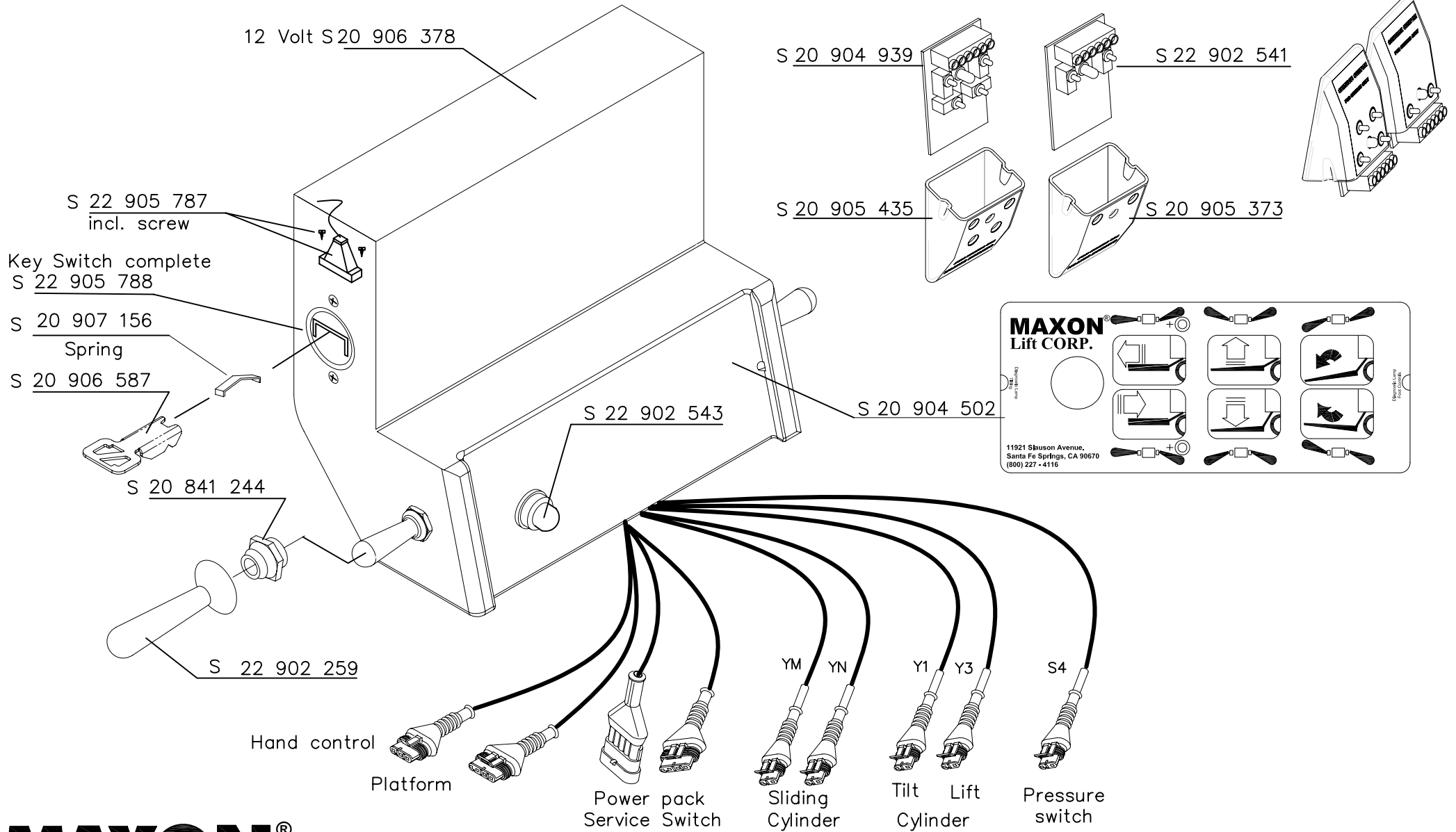
# Hand held control GPC – GPS – GPSS



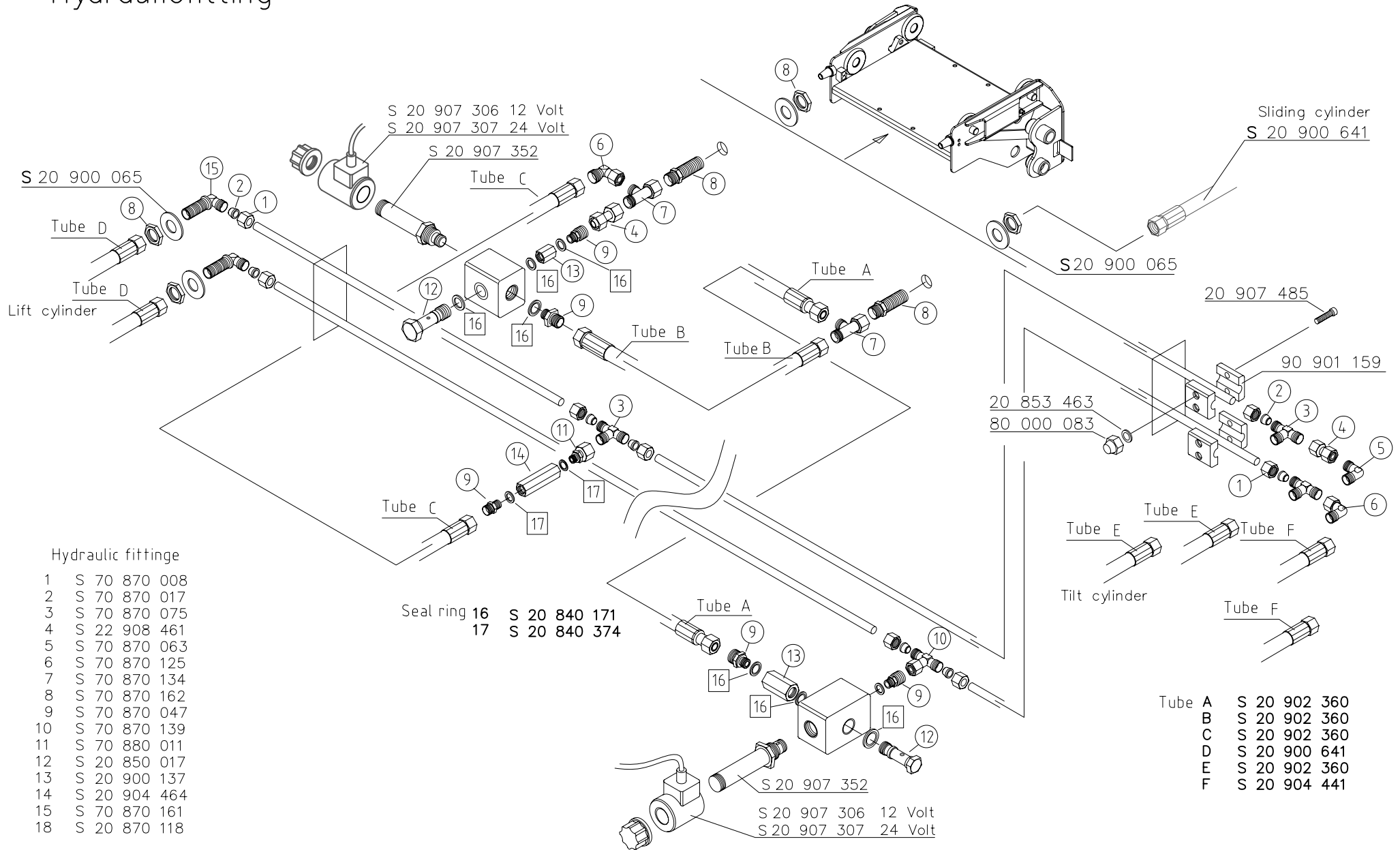


# Control unit

# Service Switch



# Hydraulicfitting



# Hydraulicfitting

Alu pipe undeliverable new version page no. 12.1

