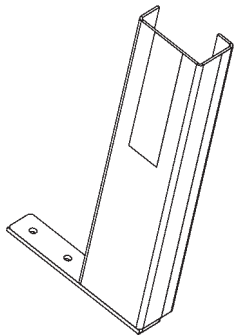


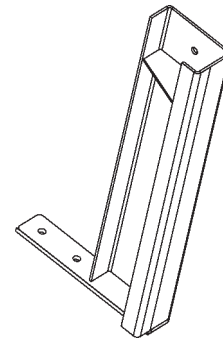
## INSTRUCTIONS, FORD F-150 INSTALLATION KIT (T-270)

FORD F-150 LIGHT DUTY PICKUP TRUCKS, 2015 - 2019

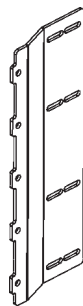
GALVANIZED KIT, P/N 295990-01G



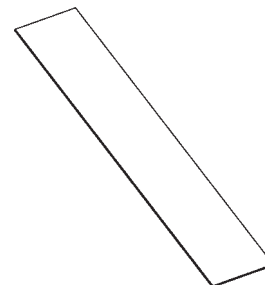
**LH INSULATED  
SUPPORT WELDMENT,  
GALVANIZED  
P/N 295996-01G  
QTY. 1**



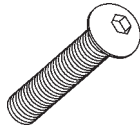
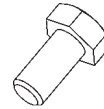
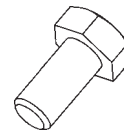
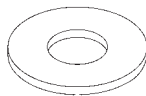
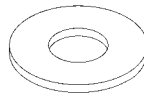
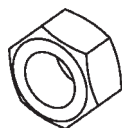
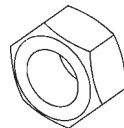
**RH INSULATED  
SUPPORT WELDMENT,  
GALVANIZED  
P/N 295996-02G  
QTY. 1**

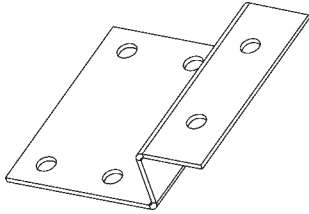
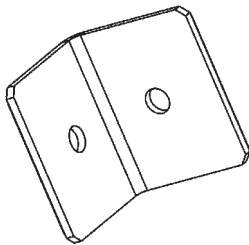
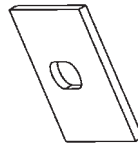
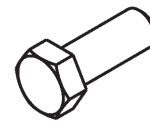
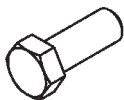


**MAIN FRAME  
MOUNTING BRACKET,  
GALVANIZED  
P/N 289637-01G  
QTY. 2**



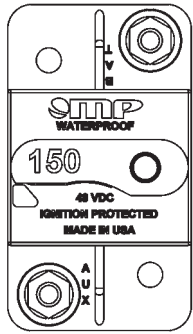
**FILLER STRIP,  
GALVANIZED  
P/N 289648-02  
QTY. 3**

**BOLT KIT (9094)  
P/N 289488-01****BUTTONHEAD SCREW  
3/8"- 16 X 1" LG.  
P/N 900064-05  
QTY. 8****PAN HEAD SCREW  
#10-24 X 3/4" LG.  
P/N 900753-07  
QTY. 8****HEX CAP SCREW  
3/16"-16 X 1" LG, GR5  
P/N 900778-02  
QTY. 12****LOCK WASHER, 3/8"  
P/N 902011-4  
QTY. 20****LOCK WASHER, 1/2"  
P/N 902011-6  
QTY. 6****HEX CAP SCREW  
1/2"- 13 X 1-1/4" LG, GR5  
P/N 900781-02  
QTY. 6****FLAT WASHER, 3/8"  
P/N 902001-2  
QTY. 6****FLAT WASHER,  
1-3/8" OD, 1/2"  
P/N 902014  
QTY. 4****HEX NUT, 3/8"-16  
P/N 903161-05  
QTY. 20****LOCK NUT, 1/2"-13  
P/N 040066  
QTY. 4**

**CIRCUIT BREAKER MOUNTING KIT (014196)  
GALVANIZED, P/N 295999-01G****CIRCUIT BREAKER BRACKET,  
GALVANIZED  
P/N 295998-02  
QTY. 1****HEX HEAD SELF-  
DRILLING SCREW, 3/4" LG.  
P/N 900045-1  
QTY. 2****PAN HEAD SCREW,  
1/4"-20 X 3/4" LG.  
P/N 900002-1  
QTY. 2****NUT, 1/4"-20  
P/N 903163-01  
QTY. 2****F-150 Y-2015 BOLT KIT (014096)  
GALVANIZED, P/N 295995-01G****ANGLE BRACKET,  
GALVANIZED  
P/N 296249-02  
QTY. 2****SPACER, 1/8" X 2" X 2"  
P/N 295991-01  
QTY. 12****HEX HEAD SCREW,  
M10 X 25, CL 10.9  
P/N 900804-03  
QTY. 2****HEX CAP SCREW,  
3/8"-16 X 1" LG, GR5  
P/N 900778-02  
QTY. 6****LOCK WASHER, 3/8"  
P/N 902011-4  
QTY. 6****HEX NUT, 3/8"-16  
P/N 903161-05  
QTY. 6**

**NOTE:** C2 Liftgates are shipped with the following parts kits for installing the Liftgate.  
The parts are stored in the main frame housing.

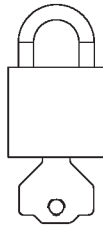
## C2 LIFTGATE SMALL PARTS & MANUAL KIT P/N 289484-01



**CIRCUIT BREAKER,  
150 AMP  
P/N 907207-02  
QTY. 1**



**LICENSE PLATE  
LIGHT  
P/N 907210-01  
QTY. 1**



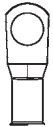
**PADLOCK (2 KEYS)  
P/N 908221-01  
QTY. 1**

**LICENSE  
PLATE LIGHT  
INSTALLATION  
M-14-35**

**C2  
OPERATION  
MANUAL  
M-14-36**



**NYLON PLUG, 1/2"  
P/N 908081-01  
QTY. 5**



**LUG, 4GA  
COPPER, 3/8"  
P/N 907278-01  
QTY. 4**



**BUTT CONNECTOR,  
14-16 AWG  
P/N 030491  
QTY. 2**



**SELF-TAPPING SCREW,  
1/4"-20 X 5/8" LG.  
P/N 900705-02  
QTY. 2**



**PAN HEAD SCREW,  
#10-24 X 3/4" LG.  
P/N 900007-6  
QTY. 2**



**DROP-AWAY PIN  
P/N 289483-01  
QTY. 1**



**LOCK NUT, #10-24  
P/N 901003  
QTY. 4**



**GROMMET NUT, 1/4"  
P/N 901015-03  
QTY. 2**



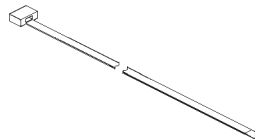
**NUT, #10-24  
P/N 903163-02  
QTY. 2**



**LOCK NUT, 3/8"-16  
P/N 901016-4  
QTY. 1**



**PAN HEAD SCREW, #10-24, 1/2" LG.  
P/N 900753-05  
QTY. 4**

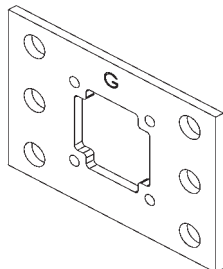


**PLASTIC TIE  
P/N 205780  
QTY. 8**

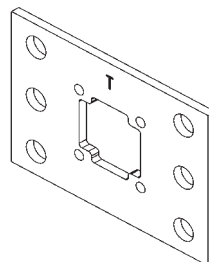


**BREATHER PLUG, 3/8" NPT  
P/N 295049  
QTY. 1**

**C2 LIFTGATE SMALL PARTS & MANUAL KIT (Continued)**  
**P/N 289484-01**



**CAMERA MOUNTING PLATE (GMC)**  
**P/N 299602-01**  
**QTY. 1**

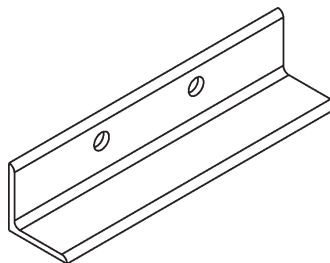


**CAMERA MOUNTING PLATE (TOYOTA)**  
**P/N 299604-01**  
**QTY. 1**



**MAXON 24/7 SUPPORT DECAL**  
**P/N 298634-01**  
**QTY. 1**

**LOWER MOUNTING ANGLE**



**MOUNTING ANGLE**  
**P/N 289543-02**  
**QTY. 2**

**NOTE:** Installer is responsible for ensuring vehicle meets Federal, State, and Local standards and regulations.

## BODY STRENGTH

### ⚠ WARNING

Consult vehicle body manufacturer for vehicle body strength data. Make sure the forces created by the Liftgate are within the limits prescribed by the vehicle body manufacturer.

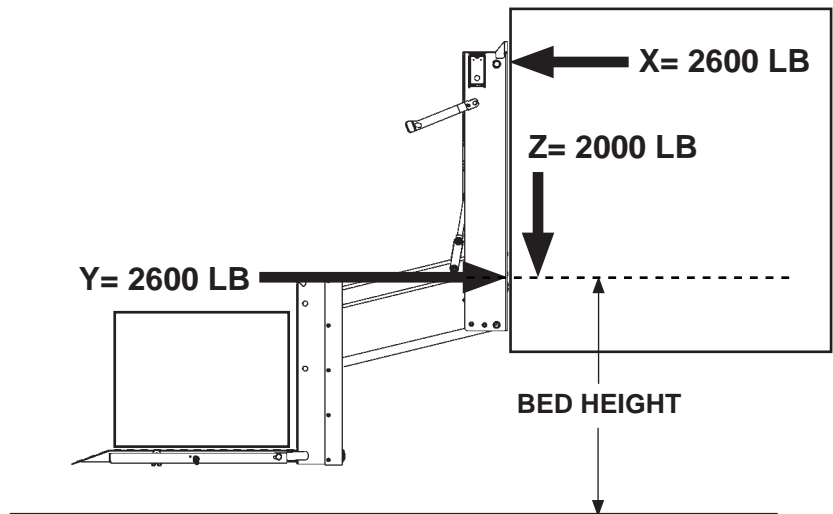
**NOTE:** Maximum operating bed height for C2 mounted on pickup body is 42" (Unloaded). Minimum bed height is 28" (Loaded).

The C2 is a body-mounted liftgate that put forces on the side walls of truck bodies (FIG. 6-1). For correct installation, truck bodies must be strong enough to withstand the tension, compression and shear forces shown in FIG. 6-1.

X= Tension on each sidewall

Y= Compression on each sidewall

Z= Shear on each sidewall



C2 LIFTGATE SHOWN ON TRUCK BODY  
FIG. 6-1

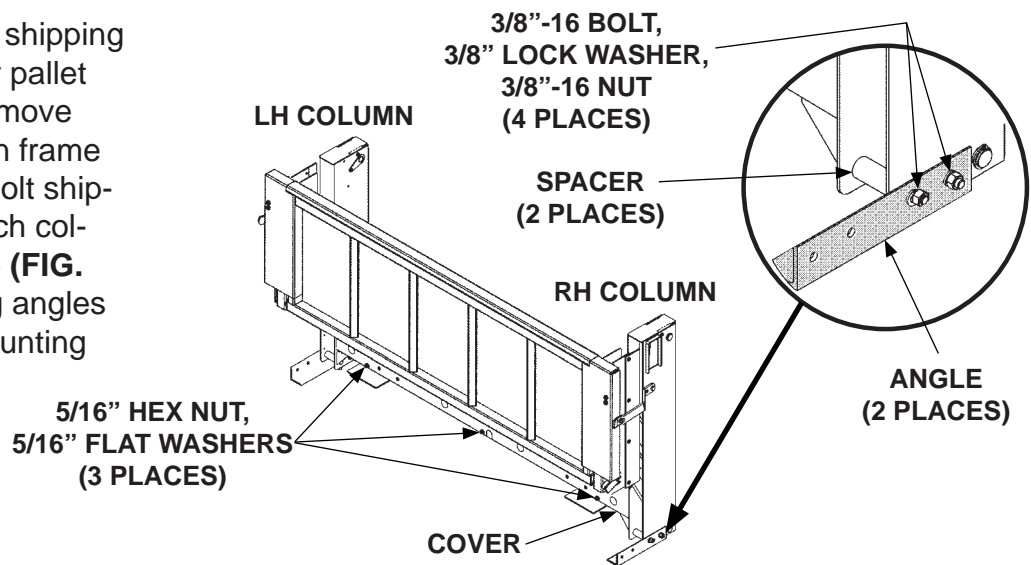
**PREPARE LIFTGATE**

1. Remove mounting kits shipped with liftgate. Refer to kits on **Sheets 1 through 5**. Verify mounting brackets are the correct brackets for this installation.

**⚠ CAUTION**

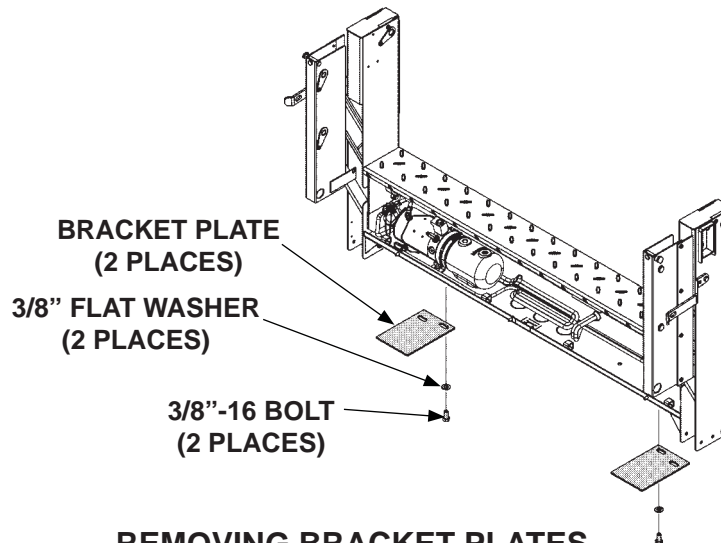
Liftgate will not stand upright without the shipping angles. Before removing the angles, make sure Liftgate is supported with forklift or pallet jack. Injury & property damage could result if Liftgate falls over.

2. Support Liftgate on shipping pallet with forklift or pallet jack. Unbolt and remove cover from the main frame housing. Then, unbolt shipping angle from each column on the Liftgate (**FIG. 7-1**). Save shipping angles to use for lower mounting brackets.



**REMOVING SHIPPING ANGLES  
FIG. 7-1**

3. Unbolt bracket plates from bottom of main frame housing (**FIG. 7-2**). Save the plates to use for lower mounting brackets.

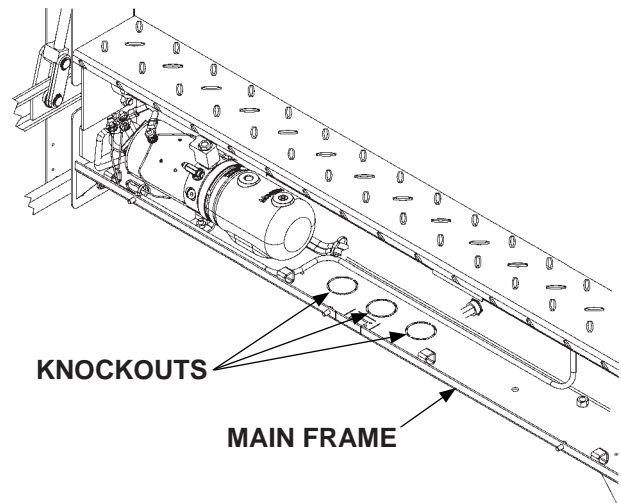


**REMOVING BRACKET PLATES  
(PLATFORM NOT SHOWN)  
FIG. 7-2**

## PREPARE LIFTGATE - Continued

### REMOVE KNOCKOUTS

4. Verify which knockouts to remove from the bottom of main frame housing (**FIG. 8-1**). Then, remove the knockouts as needed.



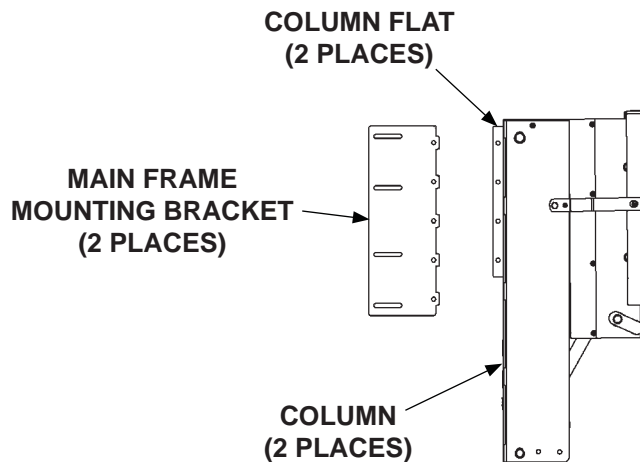
**REMOVING KNOCKOUTS FROM  
MAIN FRAME HOUSING  
FIG. 8-1**



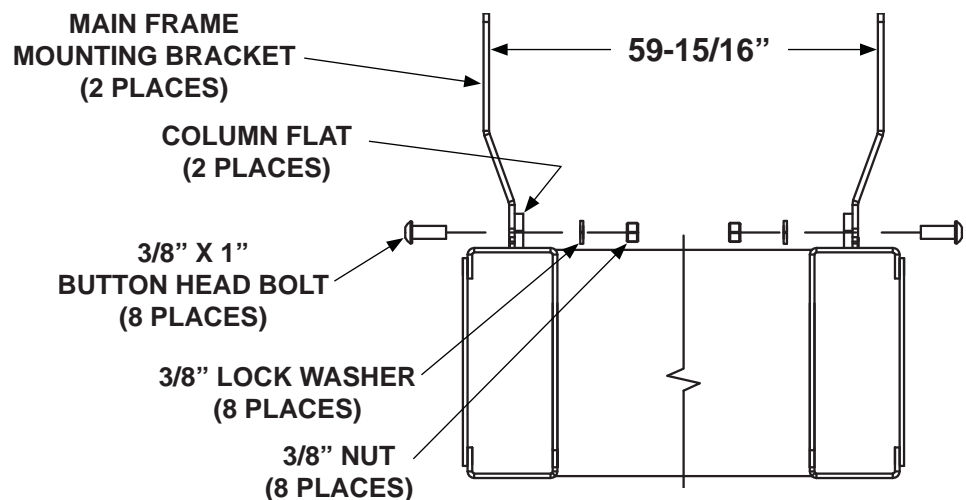
**BOLTING ON MAIN FRAME BRACKETS**

**NOTE:** The extra hole in the main frame mounting brackets is always below the 1/4" X 1" strip.

Bolt main frame mounting brackets (Kit items) to column flats (FIGS. 9-1 and 9-2).



**C2 LIFTGATE SHOWN WITH BOLT-ON  
MAIN FRAME BRACKETS  
FIG. 9-1**



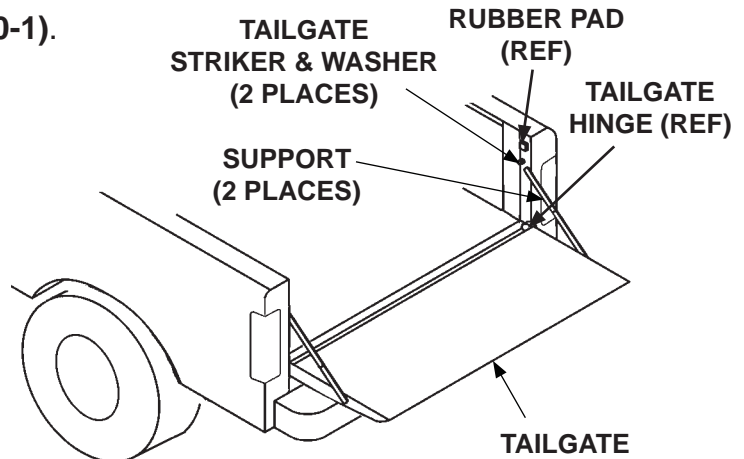
**BOLTING MAIN FRAME MOUNTING BRACKETS  
TO COLUMNS ON C2 LIFTGATE  
(TOP VIEW)  
FIG. 9-2**

**PREPARING PICKUP TRUCK**

1. Unbolt the tailgate and supports (**FIG. 10-1**).

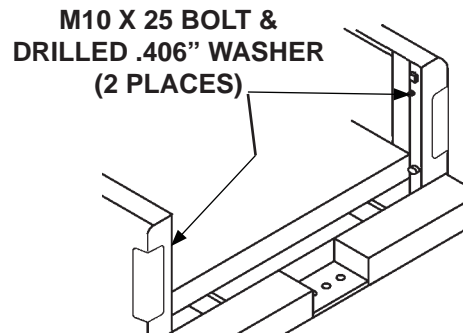
2. Remove and save 2 tailgate strikers and washers (**FIG. 10-1**).

3. Drill out the center hole of each washer, removed with striker, using .406" drill bit.



**REMOVING TAILGATE & SUPPORTS**  
**FIG. 10-1**

4. Insert an M10 x 25 hex head bolt (Kit item), with drilled-out washer, in each hole where tailgate strikers were removed (**FIG. 10-2**).

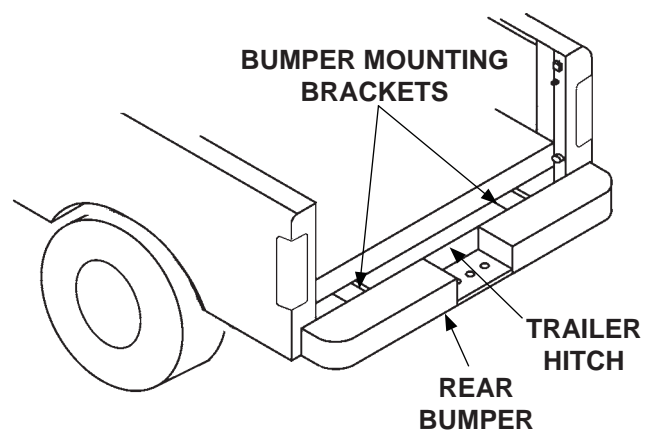


**REPLACING STRIKERS WITH BOLT & WASHER**  
**FIG. 10-2**

5. Support rear bumper and trailer hitch (**FIG. 10-3**) before unbolting the bumper brackets and trailer hitch.

**NOTE:** When liftgate is installed on the truck the tailgate, trailer hitch, and rear bumper cannot be reinstalled.

6. Unbolt and remove rear bumper, bumper brackets, and trailer hitch (**FIG. 10-3**).



**REMOVING REAR BUMPER**  
**FIG. 10-3**

## PREPARING PICKUP TRUCK - TAILLIGHT MOUNTING

**NOTE:** No changes are necessary for OEM taillight fasteners. The taillight mounting screws can be removed with an 8mm wrench after liftgate is installed.

## INSTALLING FILLER STRIP (IF NECESSARY)

### **⚠ WARNING**

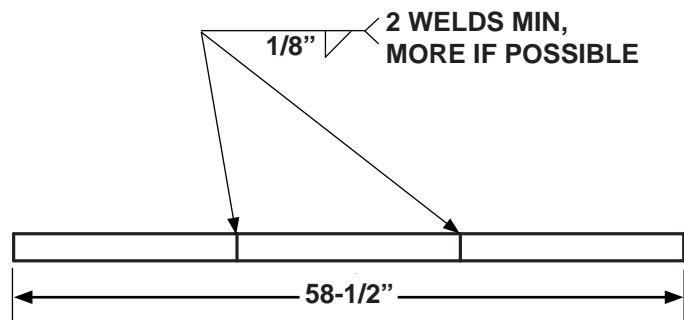
Recommended practices for welding on steel parts are contained in the current AWS (American Welding Society) D1.1 Structural Welding Code - Steel. Damage to Liftgate and/or vehicle, and personal injury can result from welds that are done incorrectly.

**NOTE:** If pickup truck is equipped with after-market hitch, weld filler strip to main frame housing. It will fill gap between liftgate and pickup bed.

1. Arrange the filler strips (Kit item) end-to-end as shown in **FIG. 11-1**.

### **CAUTION**

To prevent damage, liftgate bat-power cables are disconnected before using electrical welder. Put welder ground lead as close as possible to part being welded. Use protective cover on liftgate and truck body to protect from welding heat and spatter.

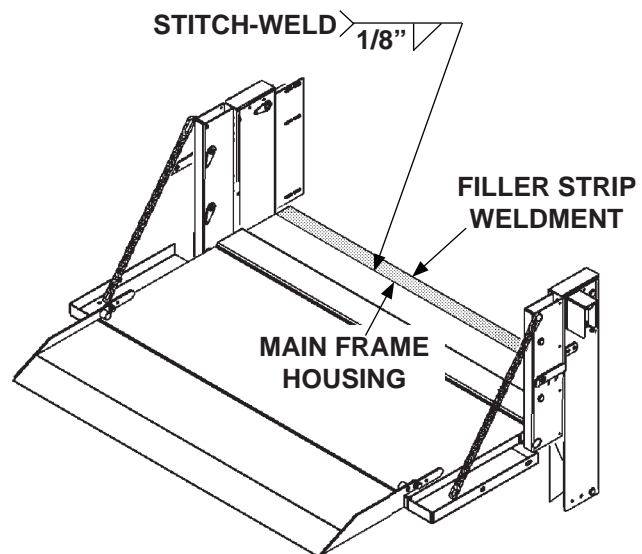


**FILLER STRIPS LAYOUT & WELDING**  
**FIG. 11-1**

2. Butt the ends of the 3 filler strips together to make one long strip (**FIG. 11-1**). Then, weld the 3 strips together as shown in **FIG. 11-1**.

**NOTE:** Position filler strips with the welds facing down.

3. Position and support liftgate between the corner posts of pickup bed (**FIG. 11-2**). Next, position filler strip flush with top-rear edge of main frame housing. Then, weld filler strip to main frame (**FIG. 11-2**). When the welds are cool, filler strip can be painted.

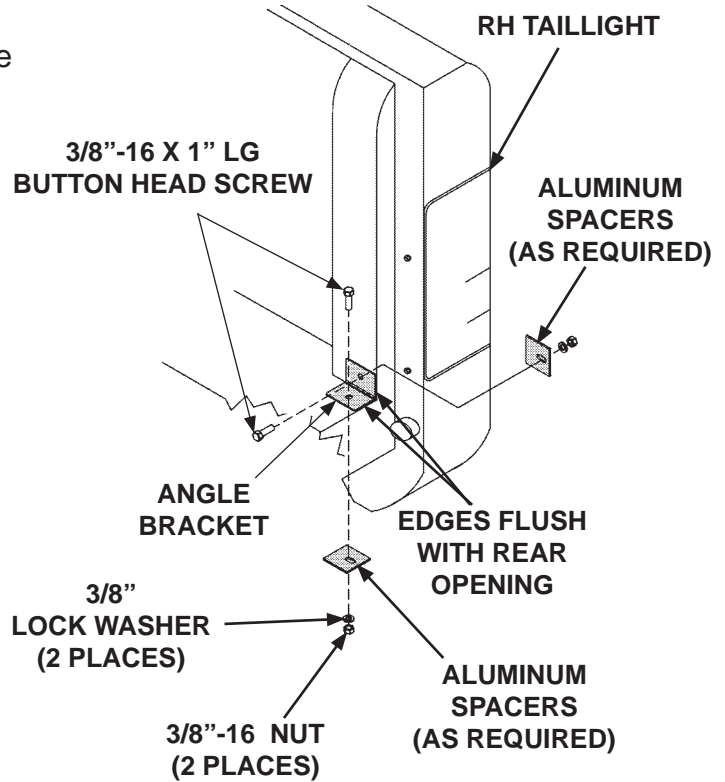


**POSITIONING & WELDING FILLER STRIP**  
**FIG. 11-2**

**INSTALLING ANGLE BRACKETS**

**NOTE:** Ensure vinyl tape is attached to the 2 angle brackets before doing this procedure.

1. Position angle brackets (Kit item) flush with RH and LH side of rear opening in the pickup bed, where corner posts meet the floor (**FIG. 12-1**).
2. Remove taillights (**FIG. 12-1**).



**BOLTING ANGLE BRACKETS & SPACERS TO PICKUP BED**  
**FIG. 12-1**

**CAUTION**  
Before drilling holes in the pickup bed, ensure there are no obstructions to drill bit or items that could be damaged.

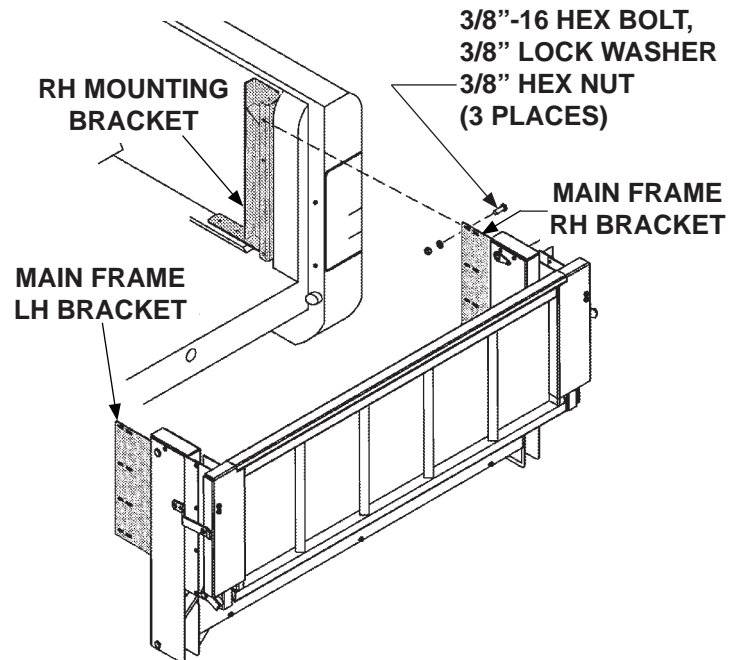
3. Use RH angle bracket as a template to drill holes, for 3/8"-16 screws, in the floor and corner post of pickup bed (**FIG. 12-1**). Repeat for angle bracket on LH side of pickup bed.
4. Bolt angle brackets and spacers to pickup bed with 3/8"-16 screws, 3/8" flat washers, and 3/8"-16 nuts (**FIG. 12-1**). Repeat for angle bracket on LH side of pickup bed.

## INSTALLING LIFTGATE

**NOTE:** Holes for mounting brackets are marked and drilled only after liftgate is in correct position on the pickup bed.

1. Position the LH and RH mounting brackets (Kit items) in the pickup bed just forward of corner posts (**FIG. 13-1**).

2. Position liftgate in the rear opening of the pickup bed (**FIG. 13-1**).
  - Liftgate centered on rear opening in pickup bed
  - Columns vertical
  - Spare tire access hole aligned with spare tire tube on truck
  - Top of main frame flush with floor of pickup bed



**BOLTING LIFTGATE TO RH MOUNTING BRACKET**

**FIG. 13-1**

**NOTE:** Ensure nuts and lock washers are on the inboard side of the mounting brackets.

3. Bolt the main frame brackets on liftgate, to the RH mounting brackets as shown in **FIG. 13-1**. Hand-tighten bolts and nuts. Repeat for LH mounting bracket.

**INSTALLING LIFTGATE - Continued**

- Let liftgate hang with support from corner posts of the pickup bed.

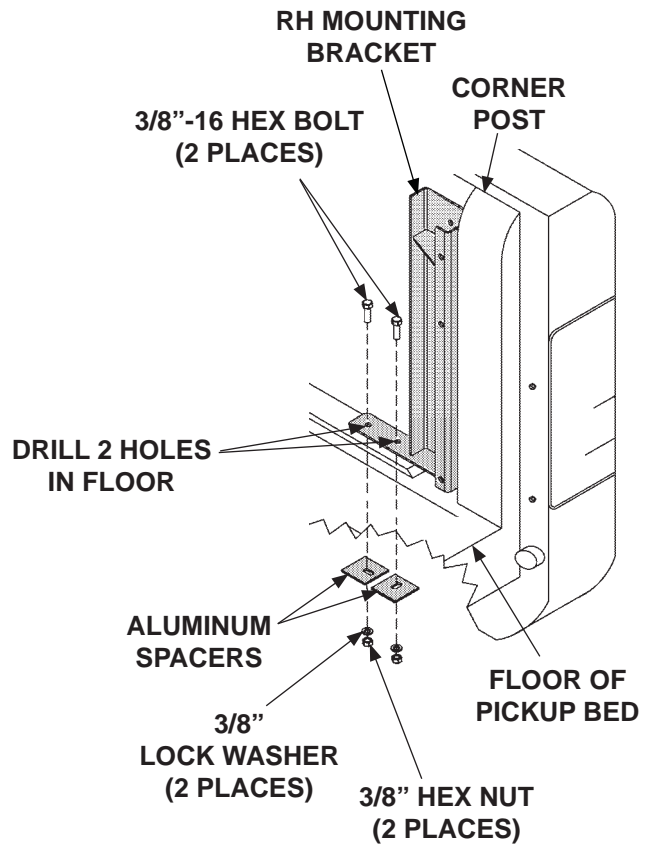
**CAUTION**

Before drilling holes in the pickup bed, ensure there are no obstructions to drill bit or items that could be damaged.

- Hold RH mounting bracket against corner post of the pickup bed (**FIG. 14-1**). Then, use 2 bracket holes to drill 2 holes for 3/8"-16 bolts in floor of the pickup bed (**FIG. 14-1**). Repeat for LH mounting bracket.

**NOTE:** For bolting steel brackets to aluminum truck body, only use the zinc-plated fasteners and aluminum spacers supplied with the bracket and bolt kits.

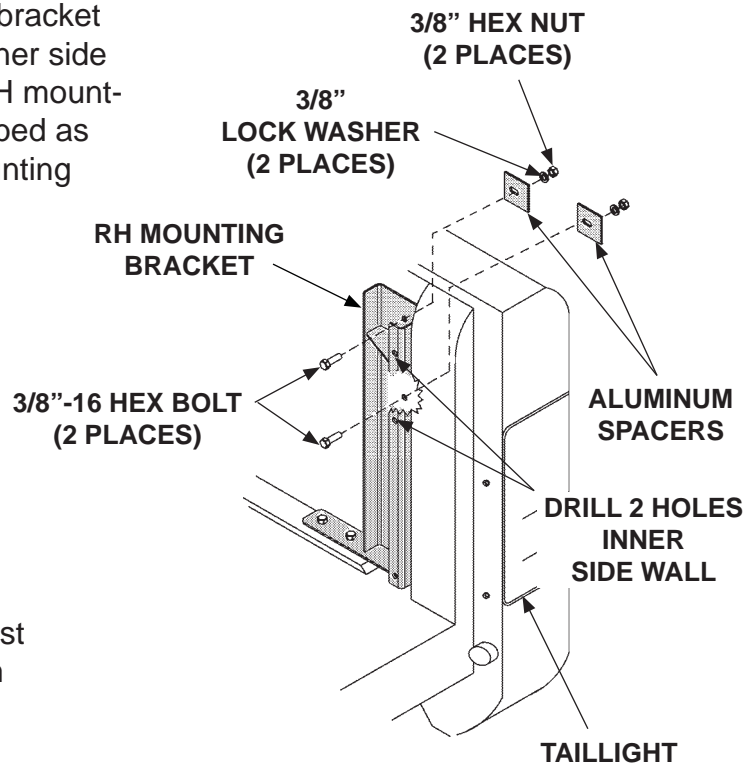
- Bolt RH mounting bracket to the floor of pickup bed as shown in **FIG. 14-1**. Repeat for LH mounting bracket.



**BOLTING RH MOUNTING BRACKET TO PICKUP BED (LIFTGATE NOT SHOWN)  
FIG. 14-1**

## INSTALLING LIFTGATE - Continued

7. Use upper 2 holes in the RH mounting bracket as a template to drill 2 holes through inner side of pickup bed (**FIG. 15-1**). Then, bolt RH mounting bracket to inner side wall of pickup bed as shown in **FIG. 15-1**. Repeat for LH mounting bracket.



**BOLTING RH MOUNTING BRACKET  
TO PICKUP BED (LIFTGATE NOT SHOWN)  
FIG. 15-1**

8. Unlatch and unfold platform. Refer to operation manual if needed. Then, adjust liftgate position so platform is level from front to back.
9. Securely tighten bolts fastening RH mounting bracket to main frame bracket (**FIG. 15-1**). Ensure the split lock washers are not in the slotted holes on main frame bracket. Repeat for LH mounting bracket.
10. Reinstall taillights (**FIG. 15-1**).

## CHECKING ACCESS TO SPARE TIRE

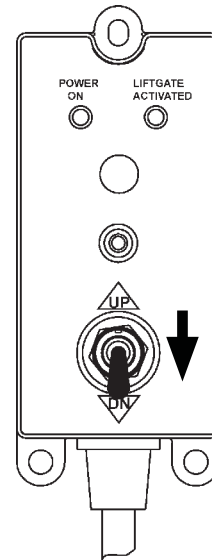
### CAUTION

Do not use a battery charger for connecting power to Liftgate power cables.

1. Connect power from a 12 volt truck battery to the Liftgate power cables extending from the back of main frame housing.
2. Refer to operating instructions, in **C2 Operation Manual**, to unfold platform and activate the Liftgate.

**NOTE:** With the **POWER ON** and **LIFTGATE ACTIVATED** lights on, the Liftgate can be raised or lowered. If the Liftgate is not used for 90 seconds, the control will automatically deactivate.

3. Use the control switch to lower (**DN**) the platform to the ground (**FIG. 16-1**).



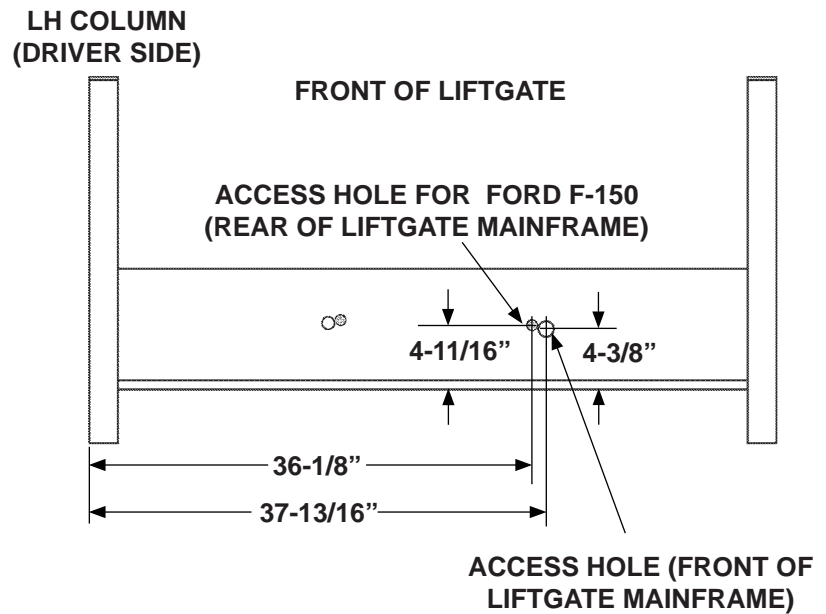
**USING CONTROL SWITCH  
TO LOWER LIFTGATE  
FIG. 16-1**



## CHECKING ACCESS TO SPARE TIRE - Continued

4. Remove the correct black plastic plugs from the cover and mainframe (**FIG. 17-1**).

5. Insert the spare tire crank handle through the holes in the liftgate main frame.



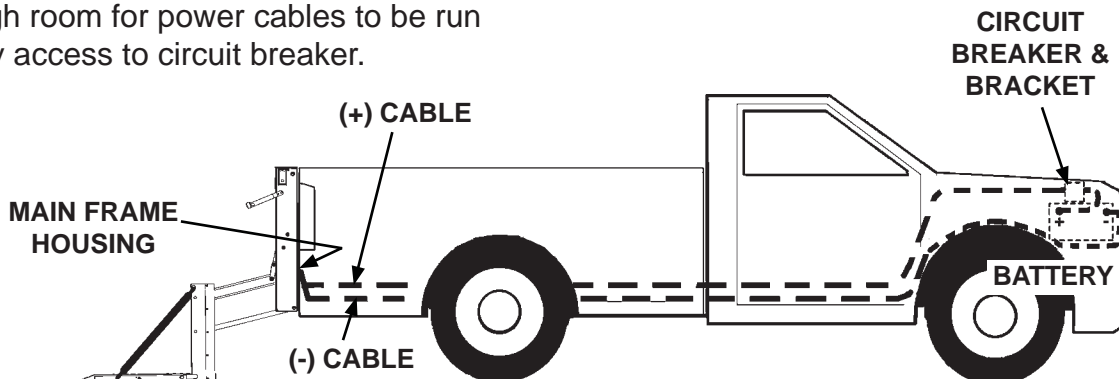
**REMOVING PLASTIC PLUGS FOR SPARE TIRE ACCESS, FORD F-150 (2015-2019)**

**FIG. 17-1**

6. Ensure spare tire can be accessed using the crank handle.

## ROUTING POWER CABLES

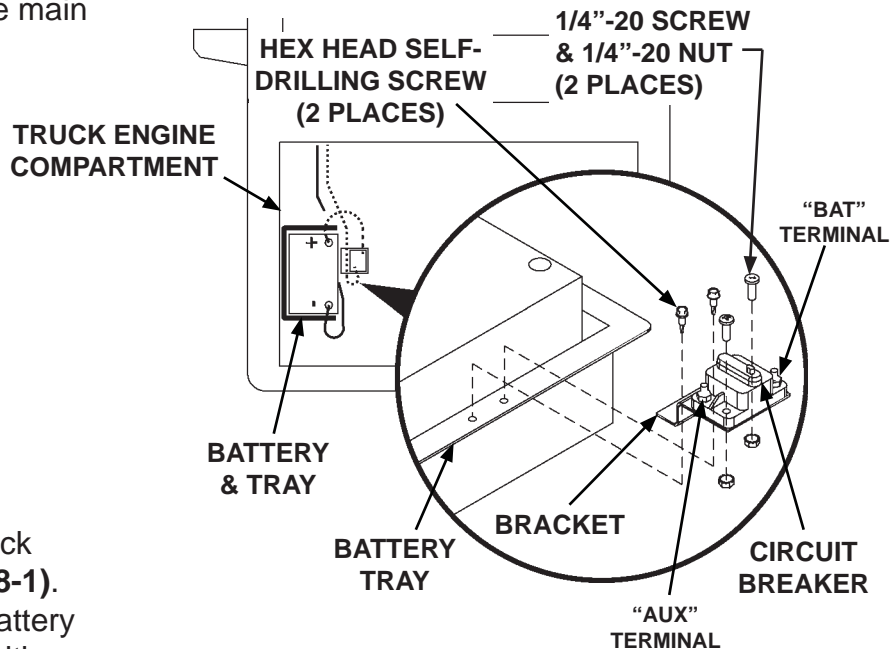
1. Remove the small parts and manual kit from the housing. Refer to **Sheets 4 & 5** for contents of the kits.
2. Install circuit breaker and bracket (Kit item) (**FIGS. 18-1 and 18-2**) on the truck battery tray inside the engine compartment (**FIG. 18-2**). Allow enough room for power cables to be run and for easy access to circuit breaker.



**RUNNING POWER CABLES FROM LIFTGATE TO BATTERY**

**FIG. 18-1**

3. Pull the (+) and (-) power cables through the cord grip on back of main frame housing. Leave about 2" of slack, for power cables, inside main frame housing.



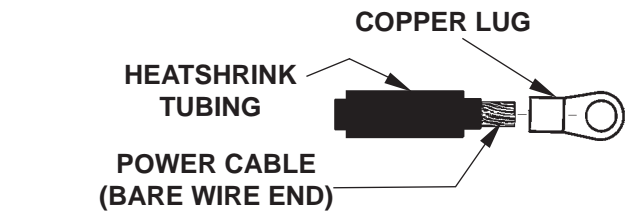
**BOLTING CIRCUIT BREAKER & BRACKET TO TRUCK BATTERY TRAY (TOP VIEW)**

**FIG. 18-2**

4. Route power cables along truck frame to truck battery (**FIG. 18-1**). Pull extra cable beyond the battery terminals. Then, separate positive (+) cable from negative (-) cable.

## ROUTING POWER CABLES - Continued

5. Cut positive (+) cable to the length required to reach the **AUX** terminal of the circuit breaker (**FIGS. 19-2 and 19-3**), without putting strain on the connection. Install copper lug (Kit item) (**FIGS. 19-1 and 19-2**). Then, connect to **AUX** terminal on 150A circuit breaker (**FIGS. 19-2 and 19-3**).



PLACING COPPER LUG & HEATSHRINK TUBING ON POWER CABLE

FIG. 19-1

6. Cut remaining positive (+) cable long enough to reach from the circuit breaker **BAT** terminal to the positive (+) battery terminal (**FIGS. 19-2 and 19-3**) without putting strain on the connection. Install copper lugs (Kit item) on both ends of cable (**FIGS. 19-1 and 19-2**). Then, connect cable to **BAT** terminal on 150A circuit breaker (**FIGS. 19-2 and 19-3**) and positive (+) terminal on battery (**FIG. 19-2**).

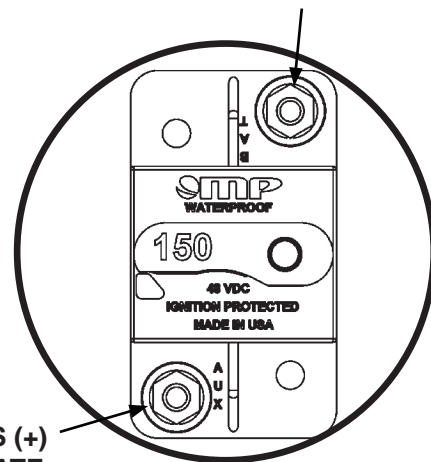


TYPICAL POWER CABLE WITH COPPER LUG INSTALLED

FIG. 19-2

7. Cut negative (-) cable to length required to reach negative (-) battery terminal (**FIG. 19-2**) without putting strain on the connection. Install copper lug (Kit item) (**FIGS. 19-1 and 19-2**). Then, connect cable to negative (-) terminal on battery (**FIG. 19-2**).

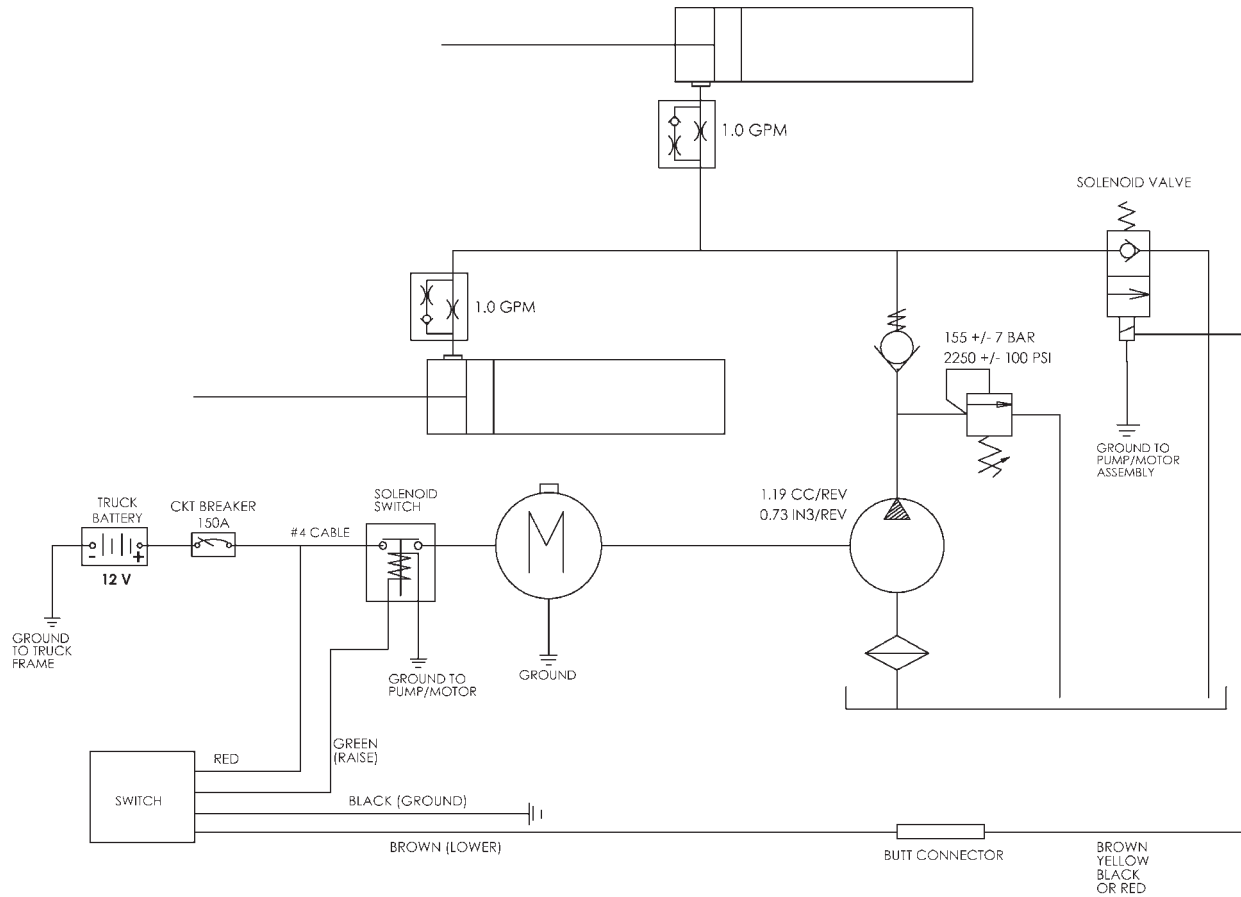
CONNECT SHORT POS (+) CABLE TO BATTERY



CONNECT LONG POS (+) CABLE FROM LIFTGATE

POWER CABLE CONNECTIONS TO 150A CIRCUIT BREAKER

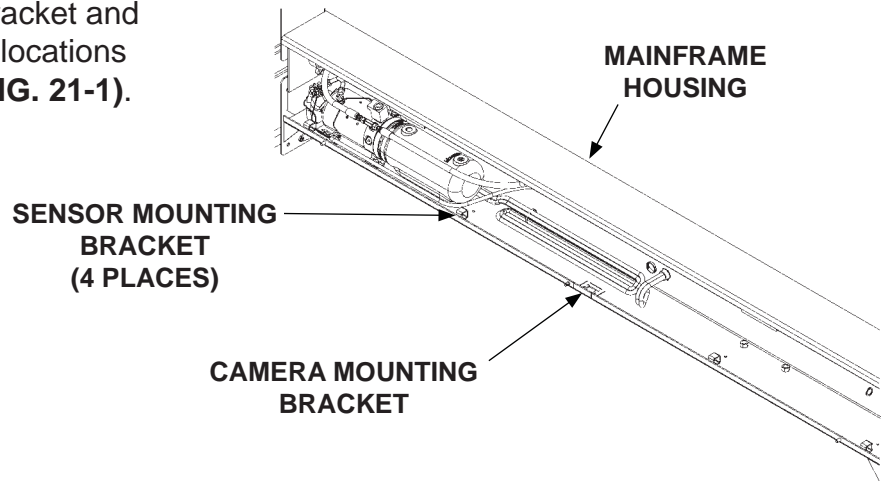
FIG. 19-3



**C2 PICKUP LIFTGATE HYDRAULIC & ELECTRICAL SYSTEMS DIAGRAM**  
**FIG. 20-1**

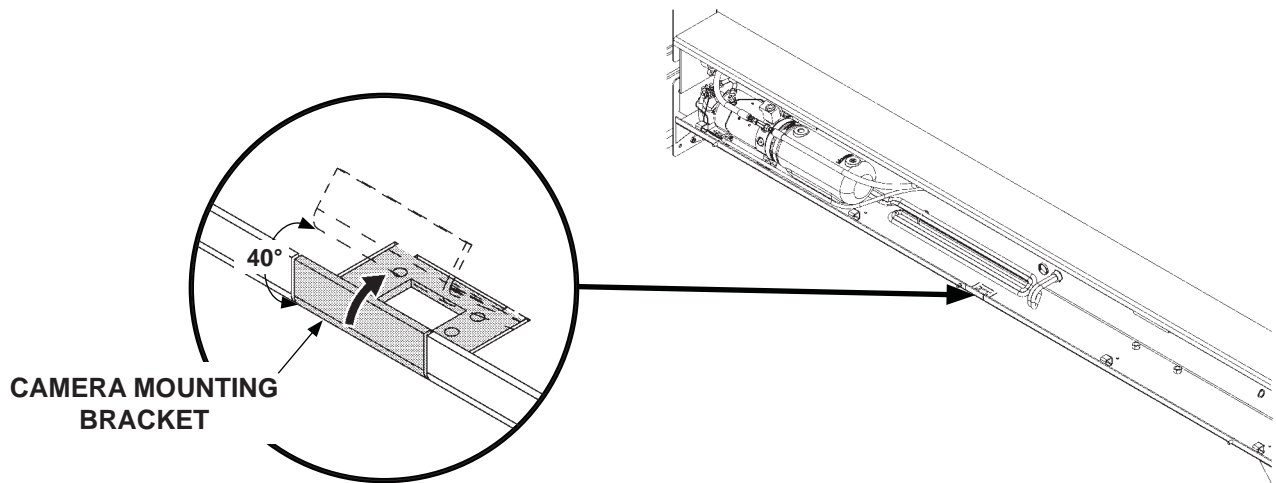
## INSTALLING CAMERA AND SENSORS (IF EQUIPPED)

1. Note camera mounting bracket and sensor mounting bracket locations on mainframe housing (**FIG. 21-1**).



**CAMERA AND SENSOR BRACKET LOCATION**  
**FIG. 21-1**

2. Bend camera mounting bracket approximately 40° for proper mounting of camera (**FIGS. 21-2 & 21-2A**).

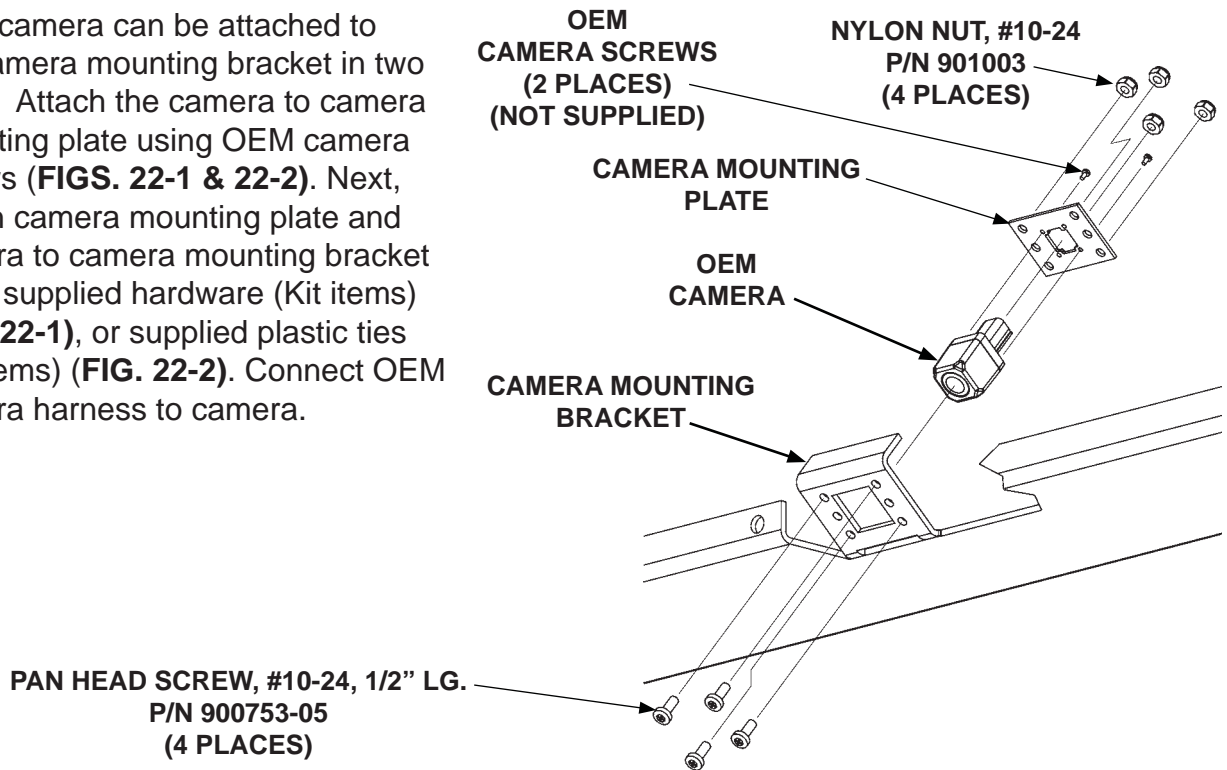


**FIG. 21-2A**

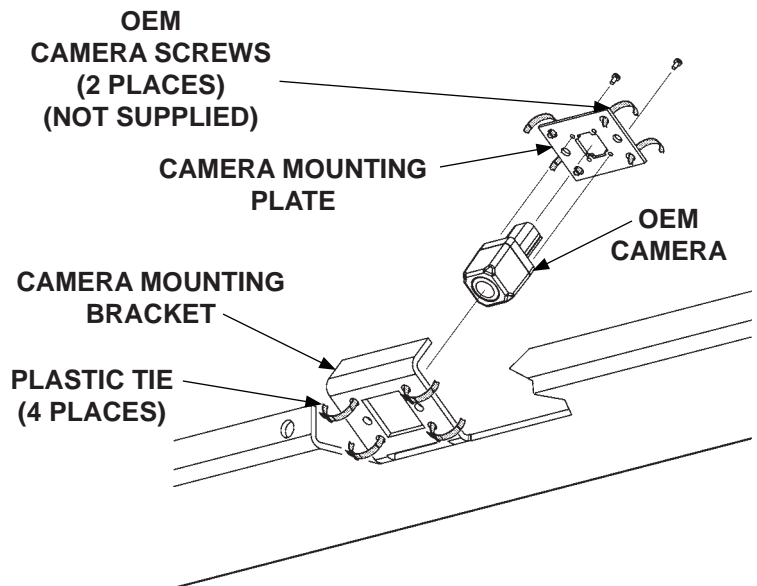
**ADJUST CAMERA BRACKET**  
**FIG. 21-2**

### INSTALLING CAMERA AND SENSORS (IF EQUIPPED) - Continued

3. OEM camera can be attached to the camera mounting bracket in two ways. Attach the camera to camera mounting plate using OEM camera screws (**FIGS. 22-1 & 22-2**). Next, attach camera mounting plate and camera to camera mounting bracket using supplied hardware (Kit items) (**FIG. 22-1**), or supplied plastic ties (Kit items) (**FIG. 22-2**). Connect OEM camera harness to camera.



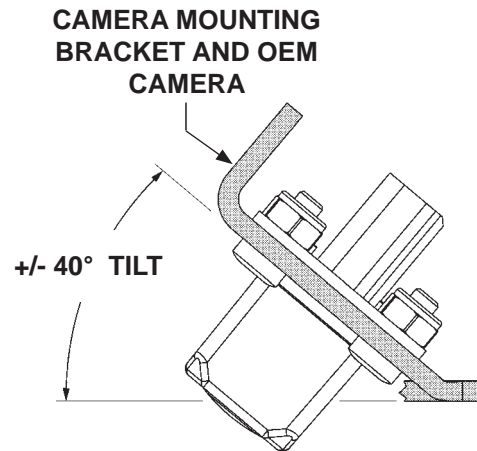
**ATTACHING CAMERA TO MOUNTING PLATE AND MOUNTING BRACKET**  
**FIG. 22-1**



**ATTACHING CAMERA TO MOUNTING PLATE AND MOUNTING BRACKET**  
**FIG. 22-2**

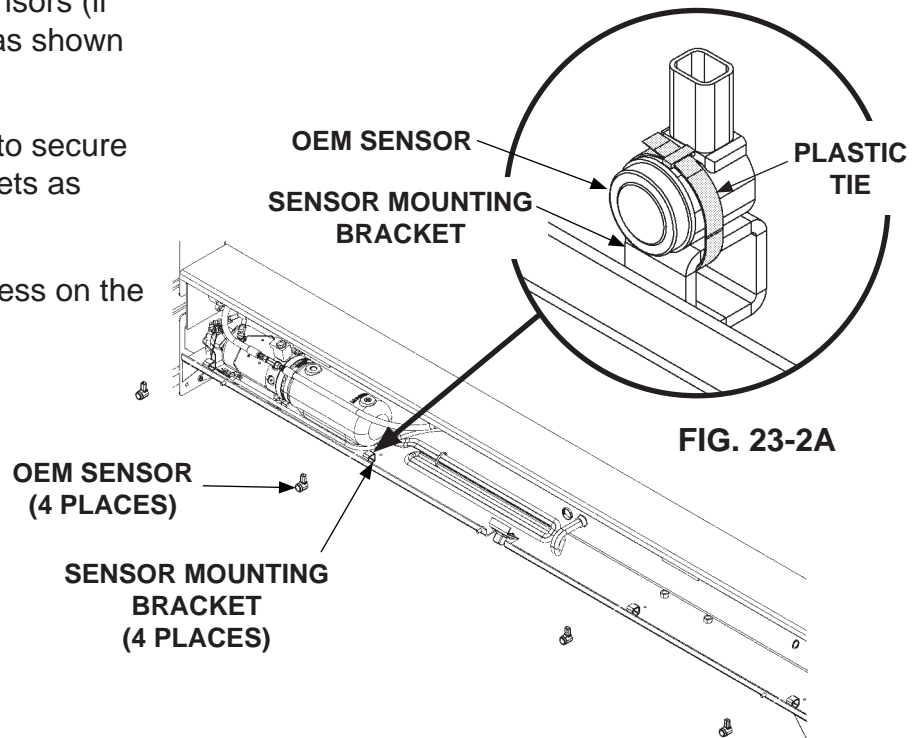
## INSTALLING CAMERA AND SENSORS (IF EQUIPPED) - Continued

- Adjust camera angle (**FIG. 23-1**) by bending camera mounting bracket until image on backup camera display screen adheres to standard in FMVSS 111.



**ADJUSTING CAMERA ANGLE**  
**FIG. 23-1**

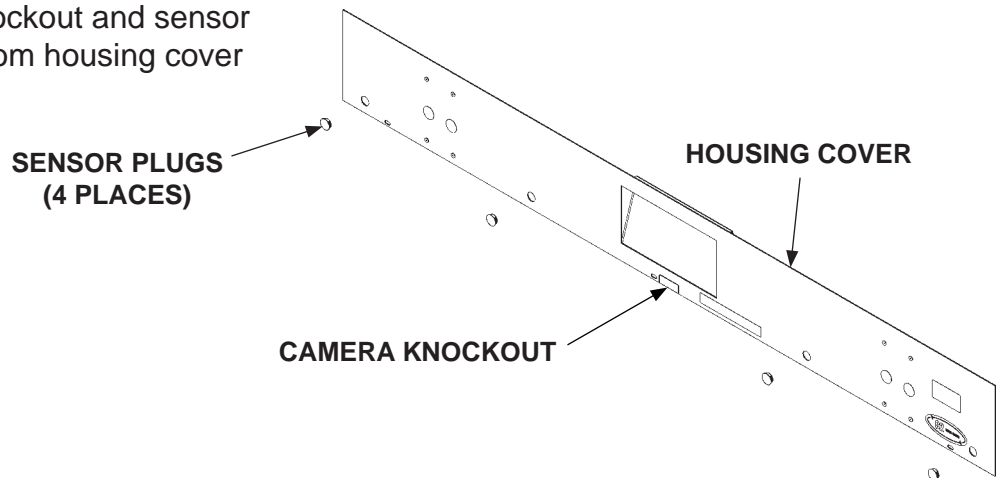
- Install each of the OEM sensors (if equipped) into 4 brackets as shown in **FIGS. 23-2 & 23-2A**.
- Use plastic ties (Kit items) to secure sensors to mounting brackets as shown in **FIG. 23-2A**.
- Connect OEM sensor harness on the vehicle to all sensors.



**INSTALLING SENSORS (IF EQUIPPED)**  
**FIG. 23-2**

## INSTALLING CAMERA AND SENSORS (IF EQUIPPED) - Continued

8. Remove camera knockout and sensor plugs (if required) from housing cover (FIG. 24-1).



**REMOVING HOUSING COVER SENSOR PLUGS  
AND CAMERA KNOCKOUT  
FIG. 24-1**

9. Reconnect ground (-) battery cable to vehicle battery.



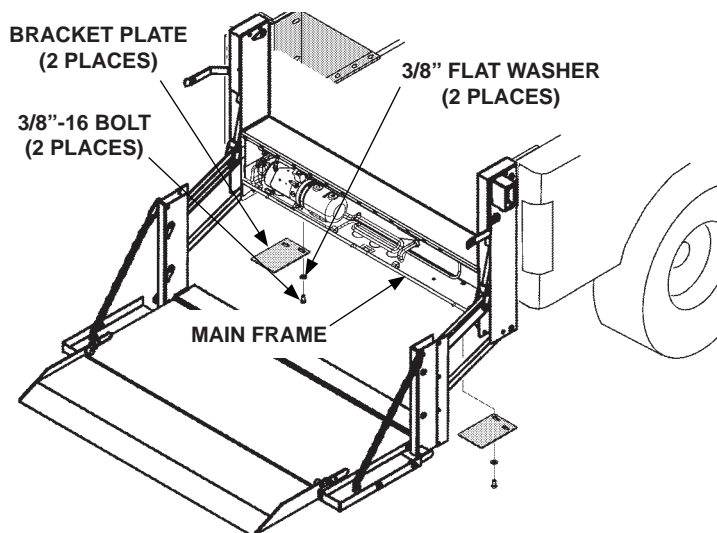
## INSTALL LOWER MOUNTS

### CAUTION

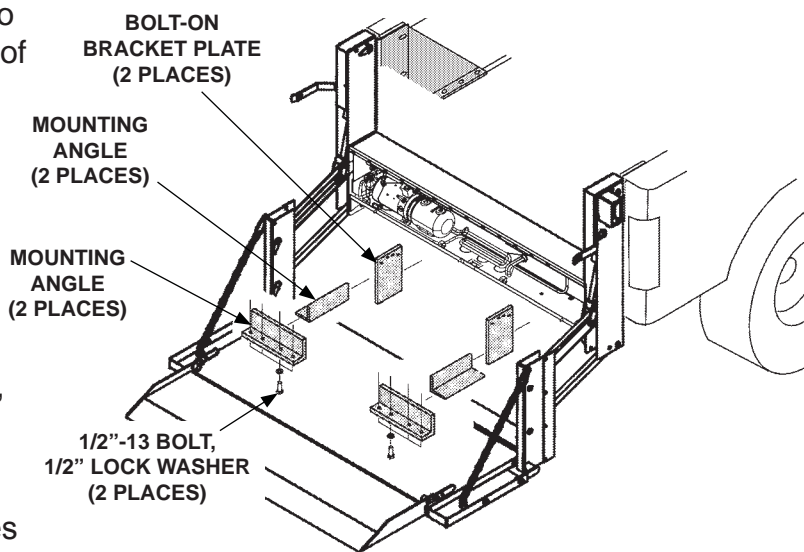
Liftgate can be severely damaged by connecting electric welder ground lead to the wrong place. To prevent damage, always connect ground lead directly to component being welded and as close as possible to the weld.

**NOTE:** Lower mounts are essential for Liftgate to be installed correctly. They attach to the truck frame and support the bottom of Liftgate.

1. Unbolt bracket plates from bottom of main frame housing (**FIG. 25-1**).
2. Position 2 bolt-on mounting angles, nearest to truck frame at bottom of Liftgate main frame housing (**FIG. 25-2**). Then bolt each angle to hole allowing closest fit to truck frame.
3. Position 2 bracket plates (Kit items) on truck frame at bottom of Liftgate main frame housing (**FIG. 25-2**). Bolt to truck frame. If necessary, modify bracket plates for best fit.
4. Clamp 2 short angles (no holes) (Kit items) to bracket plates on truck frame (**FIG. 25-2**). Position the 2 angles to reach the angles bolted on bottom of main frame housing.
5. With angles, and bracket plates positioned and clamped together, tack weld the angles and plates in position (**FIG. 25-2**).
6. Unbolt tack-welded lower brackets from truck frame (**FIG. 25-2**). Then, finish weld the bracket plates and angles.
7. Bolt the finish-welded bracket plates and angles back in position on the bottom of the main frame housing and truck frame (**FIG. 25-2**).



**REMOVING BRACKET PLATES FROM MAIN FRAME HOUSING (C2 SHOWN)**  
**FIG. 25-1**



**FABRICATING LOWER BRACKETS TO SUPPORT LIFTGATE (C2 SHOWN)**  
**FIG. 25-2**

**COMPLETE LIFTGATE INSTALLATION**

**CAUTION**

Hydraulic system is filled at the factory with correct amount of oil. It is unnecessary to add more oil except as required for periodic maintenance of the liftgate.

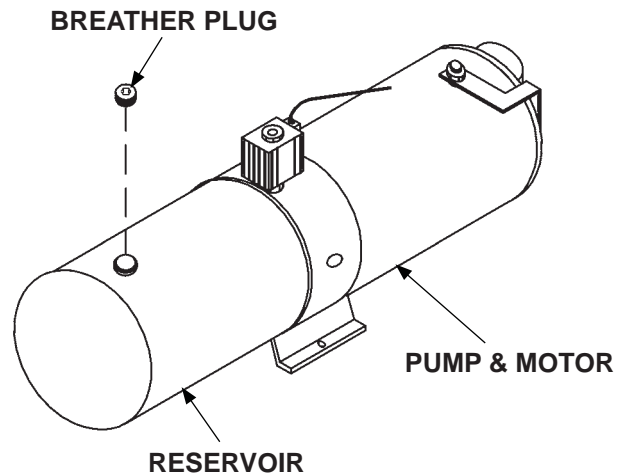
1. Remove the solid plug from the pump reservoir (**FIG. 26-1**). Install breather plug (Kit item) in pump reservoir.

2. Bolt on main frame cover (**FIG. 26-2**).

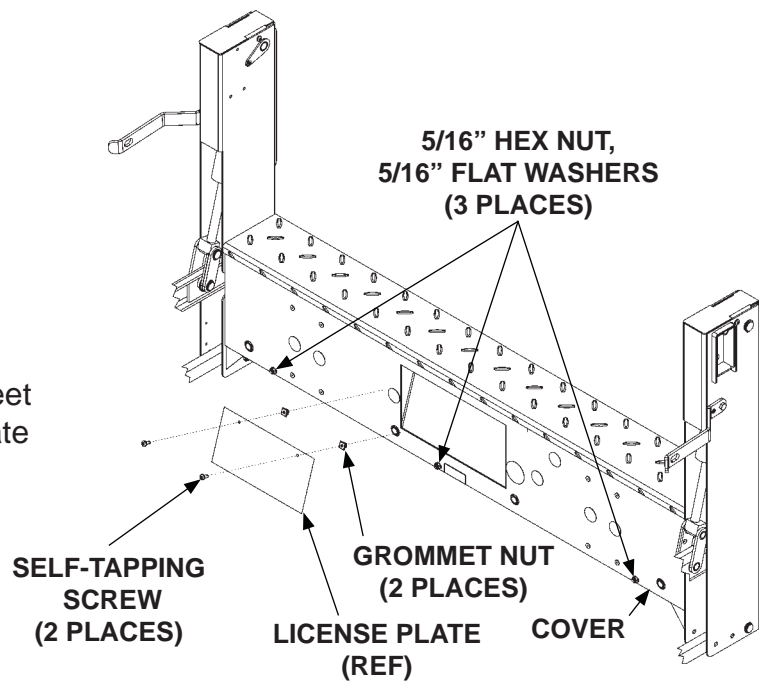
3. Install the two square plastic grommet nuts (Kit item), for the license plate, into the square holes on the Liftgate main frame cover (**FIG. 26-2**).

4. Install the license plate using two 1/4"-20 self-tapping screws (Kit item) (**FIG. 26-2**).

5. Install the license plate lights into the holes provided. Refer to instruction sheet **M-14-35**. Then, connect the license plate lights to the vehicle's wiring.



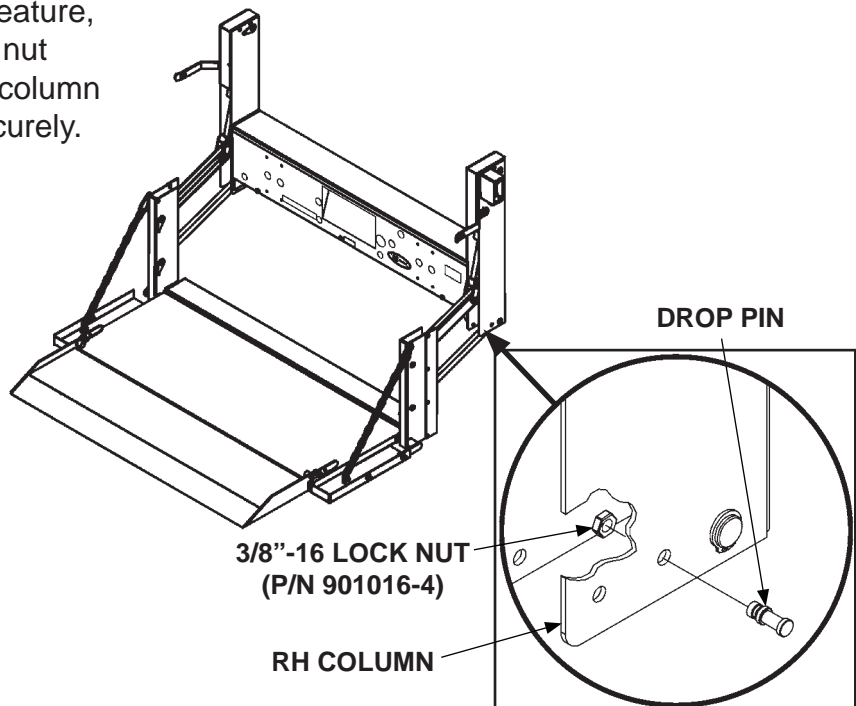
**INSTALLING VENT PLUG ON PUMP RESERVOIR**  
**FIG. 26-1**



**INSTALLING COVER & LICENSE PLATE (C2 LIFTGATE SHOWN)**  
**FIG. 26-2**

## COMPLETE LIFTGATE INSTALLATION - Continued

6. To use the drop-away platform feature, install drop pin and 3/8"-16 lock nut (Kit items) on the bottom of RH column (FIG. 27-1). Tighten lock nut securely.



**INSTALLING DROP PIN ON  
RH COLUMN (C2 LIFTGATE SHOWN)  
FIG. 27-1**

7. Install the 3/8" round plastic plugs into the empty holes in the bottom of the columns.
8. If previously removed, reinstall spare tire.

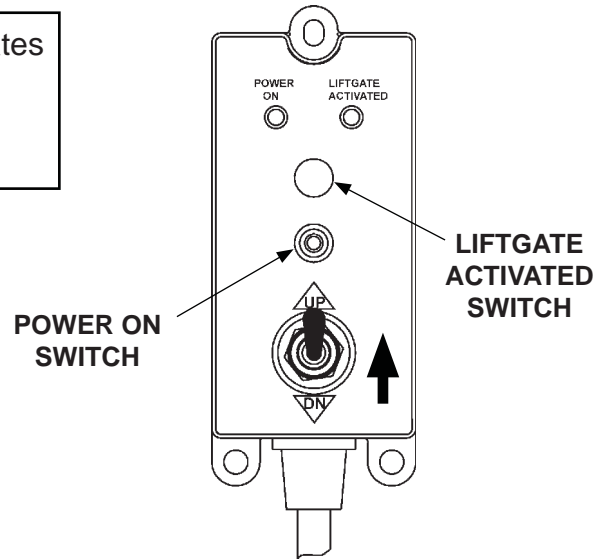
**TEST OPERATION OF LIFTGATE**

**! WARNING**

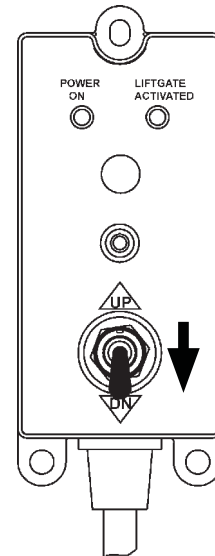
**Keep all foreign objects out of the Liftgate mainframe and away from pinch points at all times when operating Liftgate.**

**NOTE:** The **LIFTGATE ACTIVATED** LED illuminates when Liftgate power is on. Control switch should deactivate after 90 seconds of not being used.

1. Check operation of control switch for proper operation by pressing **POWER ON** button once to activate. Next, press **POWER ON** button again to deactivate Liftgate power. Then, press the **POWER ON** button twice to reset low voltage (**FIG. 28-1**).
2. Press the **LIFTGATE ACTIVATED** switch within 1 second to activate the timer (**FIG. 28-1**).
3. Raise (**UP**) and lower (**DN**) the unloaded platform (**FIGS. 28-1** and **28-2**) on a flat surface. Check for proper operating speed and alignment with the ground.
4. Load the platform with the rated capacity and measure the time to **RAISE** the platform (**FIG. 28-1**). The platform should raise approximately 2" to 3" per second.
5. Examine the platform for any downward creep.
6. Measure the time to **LOWER** the platform still loaded (**FIG. 28-2**). The load should descend approximately 7" to 9" per second.
7. Remove the load from the platform and examine the Liftgate and vehicle for hydraulic oil leaks, loose wiring, and any other problems.
8. Reinstall the main frame housing cover. Then, close and latch platform.



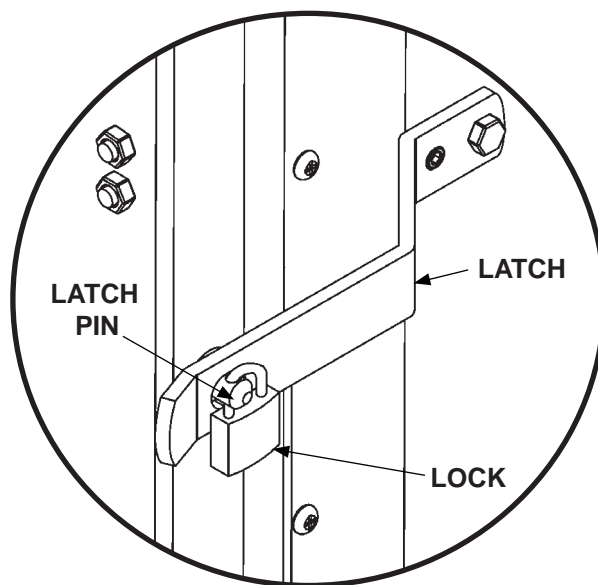
**CHECKING OPERATION OF CONTROL SWITCH AND RAISING PLATFORM  
FIG. 28-1**



**USING CONTROL SWITCH TO LOWER PLATFORM  
FIG. 28-2**

### TEST OPERATION OF LIFTGATE - Continued

9. Lock the latch on LH side or RH side through the hole in the latch pin (**FIG. 29-1**).

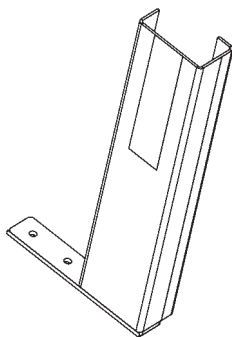


**LOCKING PLATFORM  
(C2 LIFTGATE)  
FIG. 29-1**

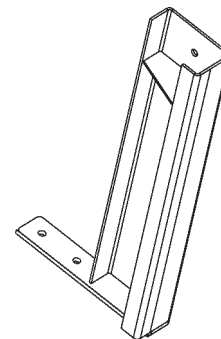
## INSTRUCCIONES PARA EL KIT DE INSTALACIÓN EN FORD F-150 (T-270)

FORD F-150 CAMIONETA DE CARGA LIGERA, 2015 - 2019

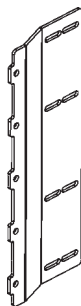
KIT GALVANIZADO, N/P 295990-01G



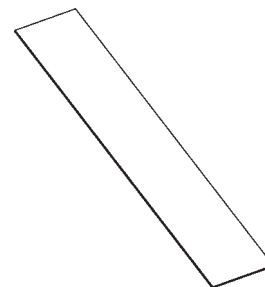
**SOPORTE SOLDADO AISLADO  
IZQUIERDO, GALVANIZADO  
N/P 295996-01G  
CANT. 1**



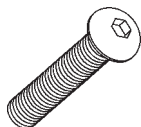
**SOPORTE SOLDADO AISLADO  
DERECHO, GALVANIZADO  
N/P 295996-02G  
CANT. 1**



**SOPORTE DE MONTAJE  
DEL BASTIDOR  
PRINCIPAL,  
GALVANIZADO  
N/P 289637-01G  
CANT. 2**



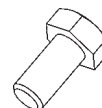
**TIRA DE RELLENO,  
GALVANIZADA  
N/P 289648-02  
CANT. 3**

**KIT DE TORNILLOS (9094)  
N/P 289488-01**

**TORNILLO  
CABEZA DE BOTÓN  
3/8"- 16 X 1" LG.  
N/P 900064-05  
CANT. 8**



**TORNILLO DE CABEZA  
TRONCOCÓNICA  
#10-24 X 3/4" LG.  
N/P 900753-07  
CANT. 8**



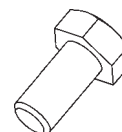
**TORNILLO CON CABEZA  
HEXAGONAL  
3/16"-16 X 1" LG, GRADO 5  
N/P 900778-02  
CANT. 12**



**ARANDELA DE PRESIÓN 3/8"  
N/P 902011-4  
CANT. 20**



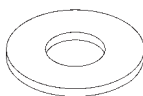
**ARANDELA  
DE PRESIÓN 1/2"  
N/P 902011-6  
CANT. 6**



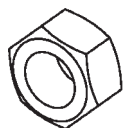
**TORNILLO CON CABEZA  
HEXAGONAL 1/2"- 13 X  
1-1/4" LG, GRADO 5  
N/P 900781-02  
CANT. 6**



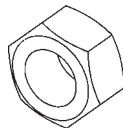
**ARANDELA PLANA 3/8"  
N/P 902001-2  
CANT. 6**



**ARANDELA PLANA  
D.E. 1-3/8", 1/2"  
N/P 902014  
CANT. 4**

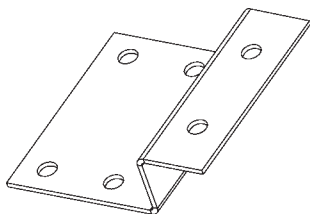


**TUERCA HEX 3/8"-16  
N/P 903161-05  
CANT. 20**



**TUERCA DE SEGURIDAD 1/2"-13  
N/P 040066  
CANT. 4**

**KIT DE MONTAJE PARA DISYUNTOR N/P 295999-01G (014196)**



**SOPORTE DE DISYUNTOR**  
N/P 295998-02  
CANT. 1



**TORNILLO CON CABEZA HEXAGONAL**  
**AUTOPERFORANTE 3/4" DE LARGO**  
N/P 900045-1  
CANT. 2

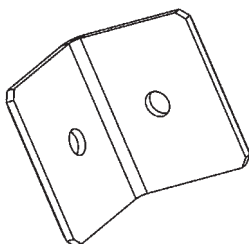


**TORNILLO DE CABEZA**  
**TRONCOCÓNICA**  
**1/4"-20 X 3/4" LG.**  
N/P 900002-1  
CANT. 2

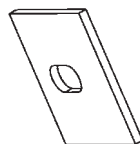


**TUERCA 1/4"-20**  
N/P 903163-01  
CANT. 2

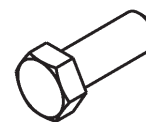
**KIT DE TORNILLERÍA PARA F-150 Y-2015 N/P 295995-01G**



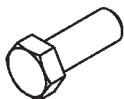
**SOPORTE ANGULAR**  
N/P 296249-02  
CANT. 2



**SEPARADOR 1/8" X 2" X 2"**  
N/P 295991-01  
CANT. 12



**TORNILLO CON CABEZA**  
**HEXAGONAL,**  
**M10 X 25, CL 10.9**  
N/P 900804-03  
CANT. 2



**TORNILLO CON CABEZA**  
**HEXAGONAL**  
**3/8"-16 X 1" LG, GRADO 5**  
N/P 900778-02  
CANT. 6



**ARANDELA DE PRESIÓN 3/8"**  
N/P 902011-4  
CANT. 6

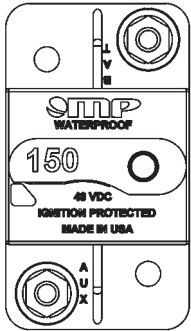


**TUERCA HEX, 3/8"-16**  
N/P 903161-05  
CANT. 6



**NOTA:** Los Elevadores C2 se envían con los siguientes kits de partes para instalar el Elevador. Las partes se guardan en la carcasa del bastidor principal.

### KIT DE MANUALES Y PARTES PEQUEÑAS PARA C2 N/P 289484-01



**DISYUNTOR  
150 A  
N/P 907207-02  
CANT. 1**



**LUZ  
DE MATRÍCULA  
N/P 907210-01  
CANT. 1**



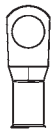
**CANDADO  
(2 LLAVES)  
N/P 908221-01  
CANT. 1**

**INSTALACIÓN  
DE LUCES  
PARA MATRÍCULA  
M-14-35**

**MANUAL  
DE OPERACIÓN  
PARA C2  
M-14-36**



**TAPÓN  
DE NAILON 1/2"  
N/P 908081-01  
CANT. 5**



**TERMINAL  
DE COBRE 3/8"  
CALIBRE 4  
N/P 907278-01  
CANT. 4**



**CONECTOR  
DE PUNTAS  
14-16 CALIBRE  
N/P 030491  
CANT. 2**



**TORNILLO  
AUTORROSCANTE  
1/4"-20 X 5/8"  
DE LARGO  
N/P 900705-02  
CANT. 2**



**TORNILLO  
CON CABEZA  
TRONCOCÓNICA  
#10-24 X 3/4" DE LARGO  
N/P 900007-6  
CANT. 2**



**PASADOR  
PARA CADENA  
N/P 289483-01  
CANT. 1**



**TUERCA DE  
SEGURIDAD,  
#10-24  
N/P 901003  
CANT. 4**



**TUERCA DE OJAL  
DE CAUCHO 1/4"  
N/P 901015-03  
CANT. 2**



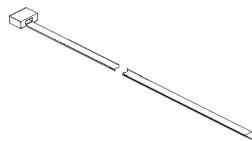
**TUERCA #10-24  
N/P 903163-02  
CANT. 2**



**TUERCA  
DE SEGURIDAD  
3/8"-16  
N/P 901016-4  
CANT. 1**



**TORNILLO CON CABEZA  
TRONCOCÓNICA  
#10-24, 1/2" LG.  
N/P 900753-05  
CANT. 4**

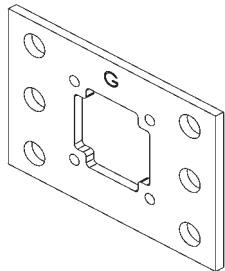


**CINTILLO DE PLÁSTICO  
N/P 205780  
CANT. 8**

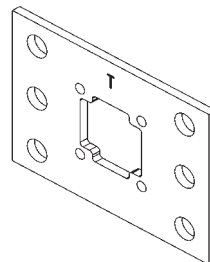


**TAPÓN RESPIRADERO 3/8"  
ROSCA AMERICANA CÓNICA  
PARA TUBERÍA  
N/P 295049  
CANT. 1**

**KIT DE MANUAL Y PARTES PEQUEÑAS PARA ELEVADOR C2 (Cont.)  
N/P 289484-01**



**PLACA DE MONTAJE PARA LA CÁMARA (GMC)  
N/P 299602-01  
CANT. 1**

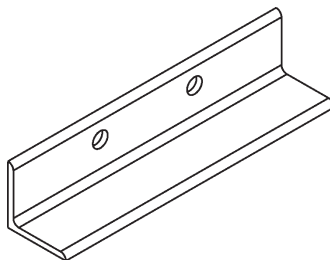


**PLACA DE MONTAJE PARA LA CÁMARA  
(TOYOTA)  
N/P 299604-01  
CANT. 1**



**ETIQUETA DEL SOPORTE MAXON 24/7 (NO  
DISPONIBLE AFUERA DE LOS ESTADOS UNIDOS)  
N/P 298634-01  
CANT. 1**

**PERFIL DE MONTAJE INFERIOR**



**PERFIL DE ENVÍO  
N/P 289543-02  
CANT. 2**

**NOTA:** El instalador es el responsable de asegurarse que el vehículo cumpla con las leyes y estándares Federales, Estatales y Locales.

## FIRMEZA DE LA CARROCERÍA

### ⚠ ADVERTENCIA

Consulte la firmeza de la carrocería de su vehículo con el fabricante de la carrocería. Asegúrese de que las fuerzas creadas por el Elevador están dentro de los límites prescritos por el fabricante de la carrocería.

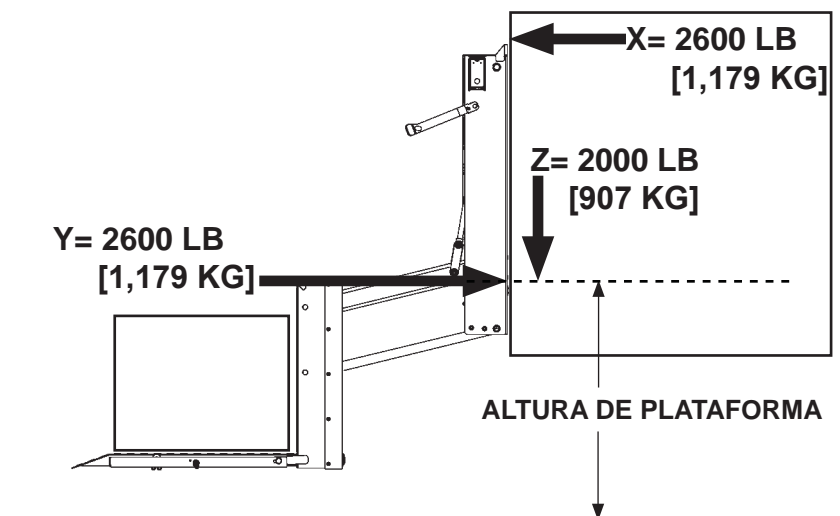
**NOTA:** La altura máxima de plataforma para una correcta operación del **C2** montado en la carrocería de una camioneta es de **42" [106.6 cm] (Sin carga)**. La altura mínima de plataforma es de **28" [71.1 cm] (Con carga)**.

El **C2** es un elevador montado en la carrocería que aplica fuerzas en las paredes laterales de la carrocería (**FIG. 35-1**). Para una correcta instalación, la carrocería de los camiones debe ser lo suficientemente fuerte para soportar la fuerzas de tensión, compresión y contrafuerza que se muestran en la **FIG. 35-1**.

**X= Tensión en cada pared lateral**

**Y= Compresión en cada pared lateral**

**Z= Contrafuerza en cada pared lateral**



SE MUESTRA ELEVADOR C2  
EN CARROCERÍA DE CAMIONETA  
FIG. 35-1

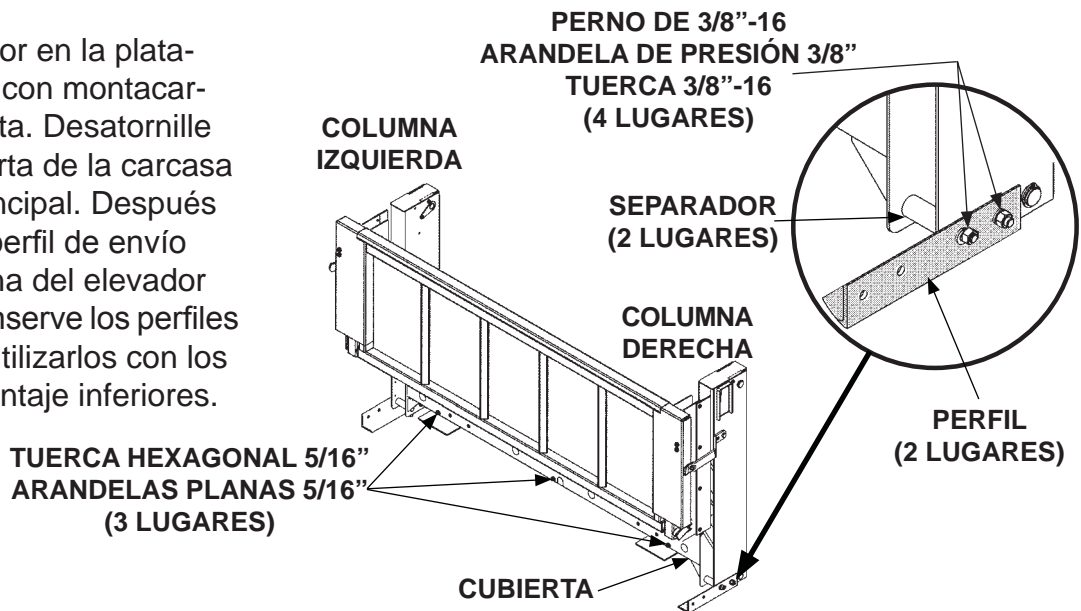
## PREPARAR EL ELEVADOR

1. Retire los kits de montaje enviados con el elevador. Consulte de las **Hojas 30 a la 34**. Verifique que los soportes de montaje sean los soportes correctos para esta instalación.

### ⚠ PRECAUCIÓN

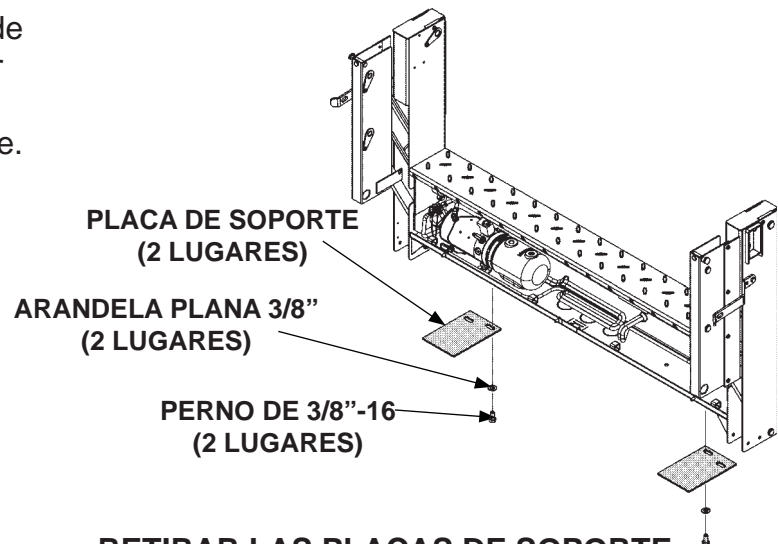
Sin los ángulos de envío, el elevador no se mantendrá en pie. Antes de retirar los perfiles, asegure que el elevador esté apoyado con un montacargas o una transpaleta manual. Si el elevador se cae, puede ocasionar lesiones y daños a la propiedad.

2. Apoye el elevador en la plataforma de envío con montacargas o transpaleta. Desatornille y retire la cubierta de la carcasa del bastidor principal. Después desatornille el perfil de envío en cada columna del elevador (**FIG. 36-1**). Conserve los perfiles de envío para utilizarlos con los soportes de montaje inferiores.



RETIRAR LOS PERFILES DE ENVÍO  
FIG. 36-1

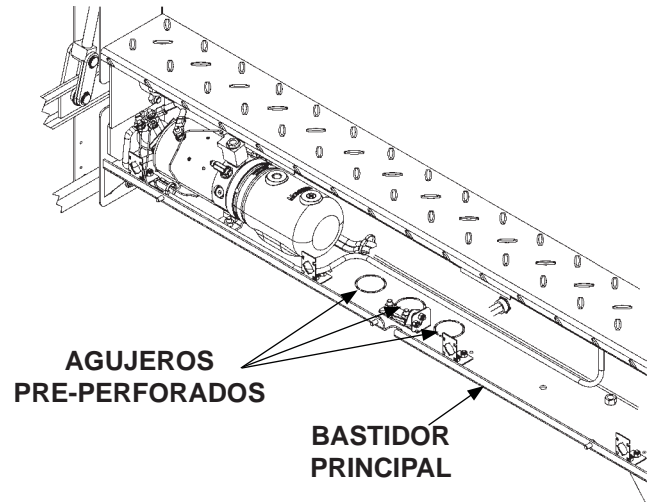
3. Desatornille las placas de soporte de la base de la carcasa en el bastidor principal (**FIG. 36-2**). Conserve las placas para los soportes de montaje.



RETIRAR LAS PLACAS DE SOPORTE  
(LA PLATAFORMA NO SE MUESTRA)  
FIG. 36-2

**PREPARAR EL ELEVADOR - Cont.****RETIRAR AGUJEROS PRE-PERFORADOS**

4. Verifique cuáles agujeros pre-perforados se deben retirar de la base en la carcasa del bastidor principal (**FIG. 37-1**). Después, retire los agujeros como sea necesario.

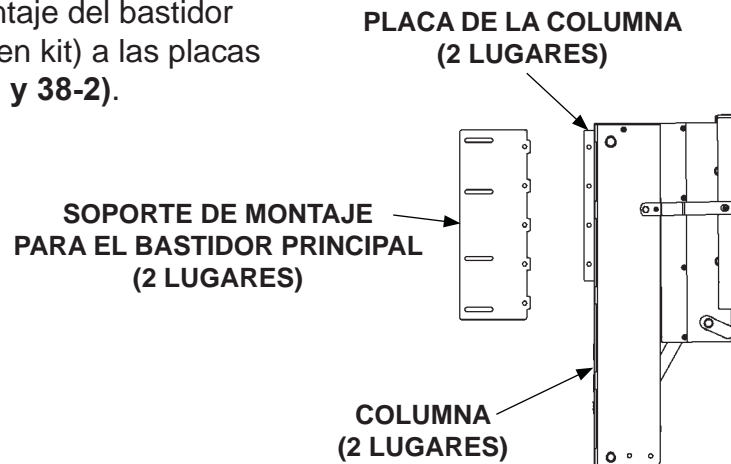


**RETIRAR LOS AGUJEROS PRE-PERFORADOS  
EN LA CARCASA DEL BASTIDOR PRINCIPAL  
FIG. 37-1**

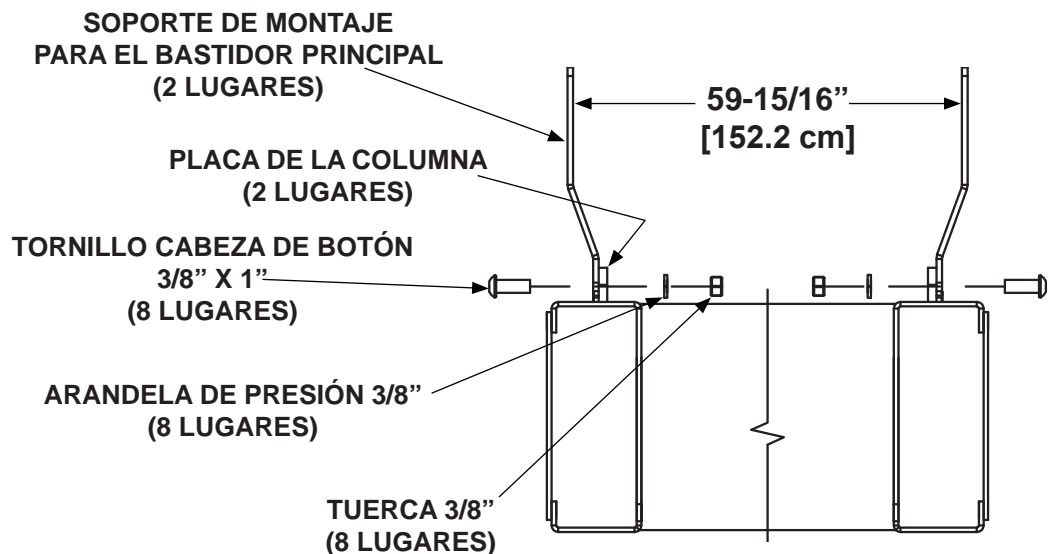
## ATORNILLAR LOS SOPORTES EN EL BASTIDOR PRINCIPAL

**NOTA:** El agujero extra en los soportes de montaje del bastidor principal siempre está por debajo de la tira de 1/4" X 1" [6 mm x 25 mm].

Atornille los soportes de montaje del bastidor principal (artículos incluidos en kit) a las placas de las columnas (**FIGS. 38-1 y 38-2**).



SE MUESTRA ELEVADOR C2  
CON SOPORTES ATORNILLABLES  
PARA BASTIDOR PRINCIPAL  
FIG. 38-1



ATORNILLAR LOS SOPORTES DE MONTAJE PARA BASTIDOR  
PRINCIPAL A LAS COLUMNAS DEL ELEVADOR C2  
(VISTA SUPERIOR)  
FIG. 38-2

## PREPARAR LA CAMIONETA PICKUP

1. Desatornille la puerta posterior y soportes (FIG. 39-1).

2. Retire y conserve 2 cerraduras de la puerta posterior y arandelas (FIG. 39-1).

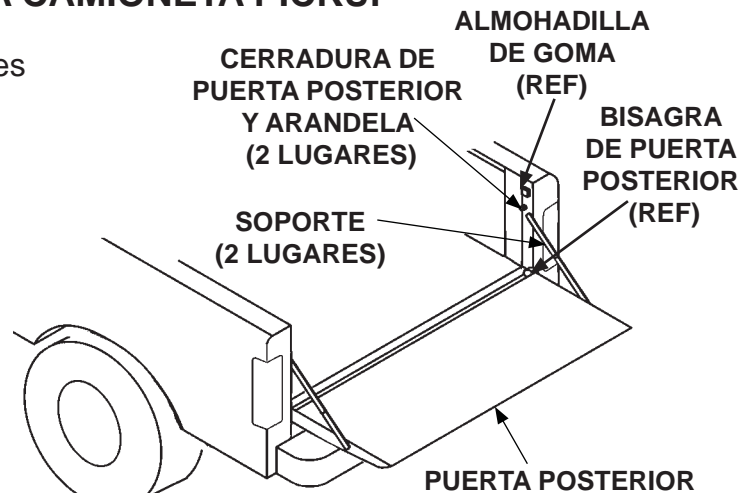
3. Taladre con una broca de .406" [10 mm] el agujero central de cada arandela que retiró junto con las cerraduras.

4. Inserte un perno con cabeza hexagonal M10 x 25 (artículo incluido en el kit), junto con la arandela taladrada, en cada agujero donde se retiraron las cerraduras de la puerta posterior (FIG. 39-2).

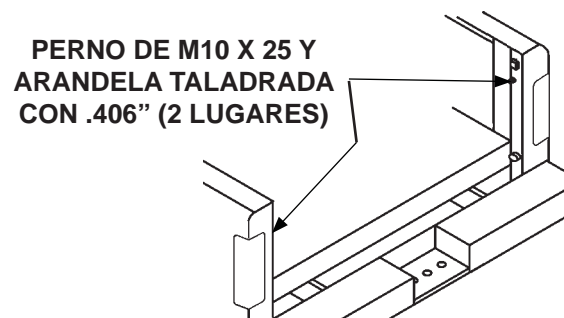
5. Apoye el parachoques posterior y el enganche del remolque (FIG. 39-3) antes de desatornillar los soportes del parachoques y el enganche del remolque.

**NOTA:** Cuando el elevador esté instalado, la puerta posterior de la camioneta, el enganche del remolque y el parachoques posterior no podrán reinstalarse.

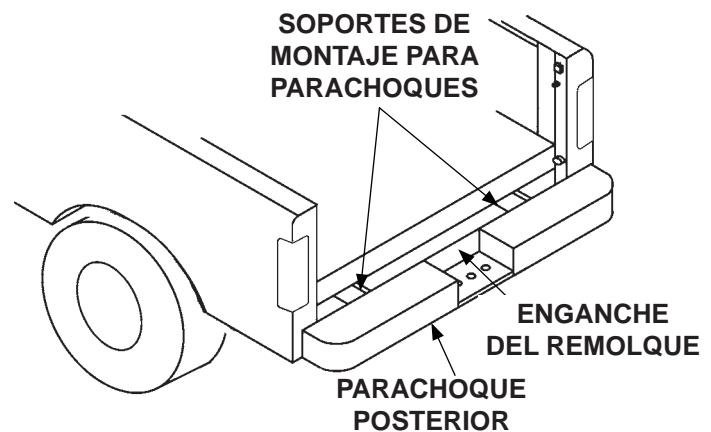
6. Desatornille y retire el parachoques posterior, los soportes del parachoques y el enganche del remolque (FIG. 39-3).



RETIRAR PUERTA POSTERIOR Y SOPORTES  
FIG. 39-1



REEMPLAZAR CERRADURAS  
CON PERNO Y ARANDELA  
FIG. 39-2



RETIRAR PARACHOQUES POSTERIOR  
FIG. 39-3

## PREPARAR LA CAMIONETA PICKUP - MONTAJE DE LUZ POSTERIOR

**NOTA:** No es necesario cambiar la tornillería OEM de las luces posteriores. Los tornillos de montaje de las luces posteriores se pueden retirar con una llave de 8 mm después de instalar el elevador.

## INSTALAR LA TIRA DE RELLENO (DE SER NECESARIO)

### ⚠ ADVERTENCIA

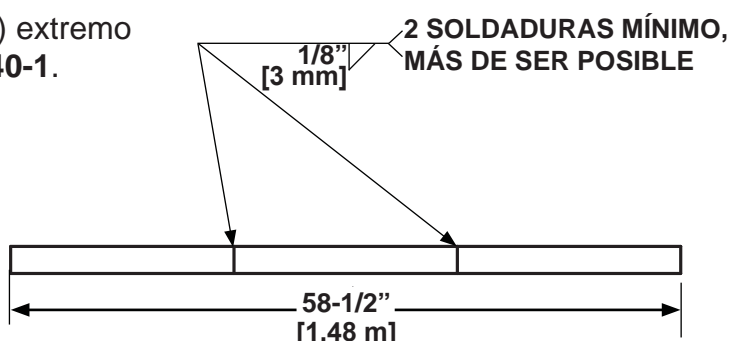
Las prácticas recomendadas para soldadura de partes en acero están contenidas en AWS (Sociedad Americana de Soldadura por sus siglas en inglés) D1.1 Código de Soldadura Estructural - Acero. Soldar incorrectamente puede provocar daño al elevador, vehículo y lesiones a las personas.

**NOTA:** Si la camioneta está equipada con enganche de repuesto, suelde la tira de relleno a la carcasa del bastidor principal. Llenará el espacio entre el elevador hidráulico y la plataforma de la camioneta.

1. Acomode las tiras de relleno (incl. en kit) extremo a extremo como se muestra en la **FIG. 40-1**.

### PRECAUCIÓN

Para prevenir daños, se desconectan los cables de alimentación a la batería del elevador antes de utilizar la soldadora eléctrica. Coloque el cable a tierra tan cerca como sea posible de la parte a soldar. Utilice una cubierta protectora sobre el elevador y la carrocería para proteger del calor de la soldadura y de salpicaduras.

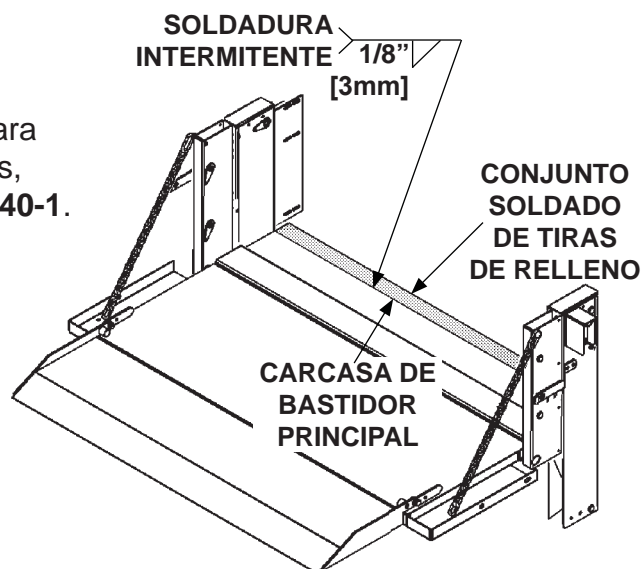


POSICIÓN Y SOLDADURAS PARA TIRA DE RELLENO  
FIG. 40-1

2. Junte los extremos de las 3 tiras de relleno para hacer una sola tira larga (**FIG. 40-1**). Después, suelde las 3 tiras como se muestra en la **FIG. 40-1**.

**NOTA:** Coloque las tiras de relleno con las soldaduras hacia abajo.

3. Coloque y apoye el elevador entre los postes esquineros de la plataforma de la camioneta (**FIG. 40-2**). Ahora, coloque la tira de relleno al ras del borde superior posterior de la carcasa del bastidor principal. Después, suelde la tira al bastidor (**FIG. 40-2**). La tira de relleno puede ser pintada cuando las soldaduras se enfríen.



COLOCAR Y SOLDAR TIRA DE RELLENO  
FIG. 40-2



## INSTALAR LOS SOPORTES ANGULARES

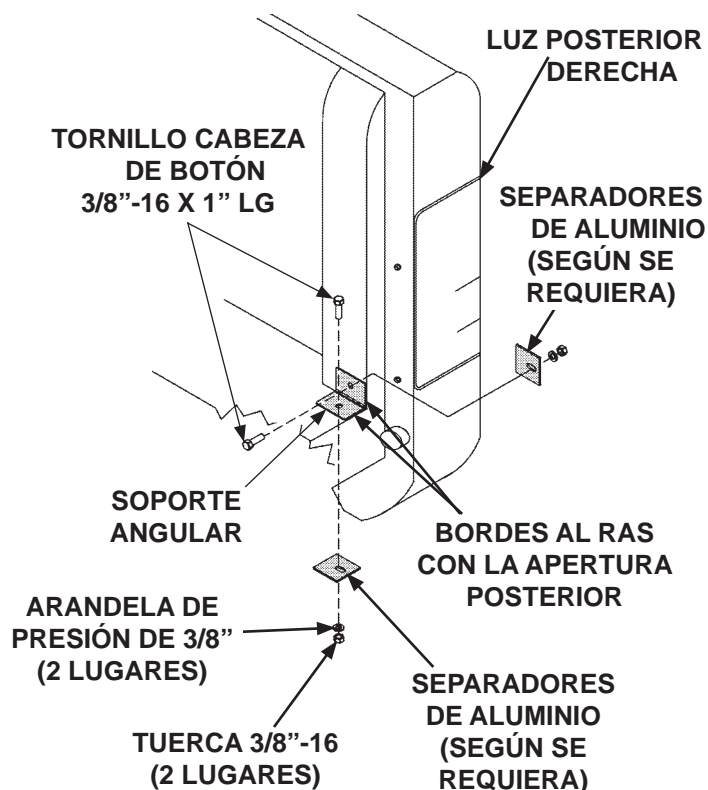
**NOTA:** Asegúrese que la cinta de vinilo esté adherida a los 2 soportes angulares antes de realizar este procedimiento.

1. Coloque los soportes angulares (incluidos en el kit) al ras de ambos bordes de la apertura posterior en la plataforma de la camioneta, donde los postes esquineros se encuentran con el suelo (**FIG. 41-1**).
2. Retire las luces posteriores (**FIG. 41-1**).

### PRECAUCIÓN

Antes de taladrar la plataforma de la camioneta, asegúrese que no haya obstrucciones o artículos que pudieran resultar dañados.

3. Utilice el soporte angular derecho como plantilla para realizar los agujeros en donde irán los tornillos de 3/8"-16 en el suelo y el poste esquinero (**FIG. 41-1**). Haga lo mismo en el lado izquierdo de la plataforma.
4. Atornille los soportes angulares y los separadores a la plataforma de la camioneta con tornillos de 3/8"-16, arandelas de 3/8" y tuercas de 3/8"-16 (**FIG. 41-1**). Haga lo mismo en el lado izquierdo de la plataforma de la camioneta.



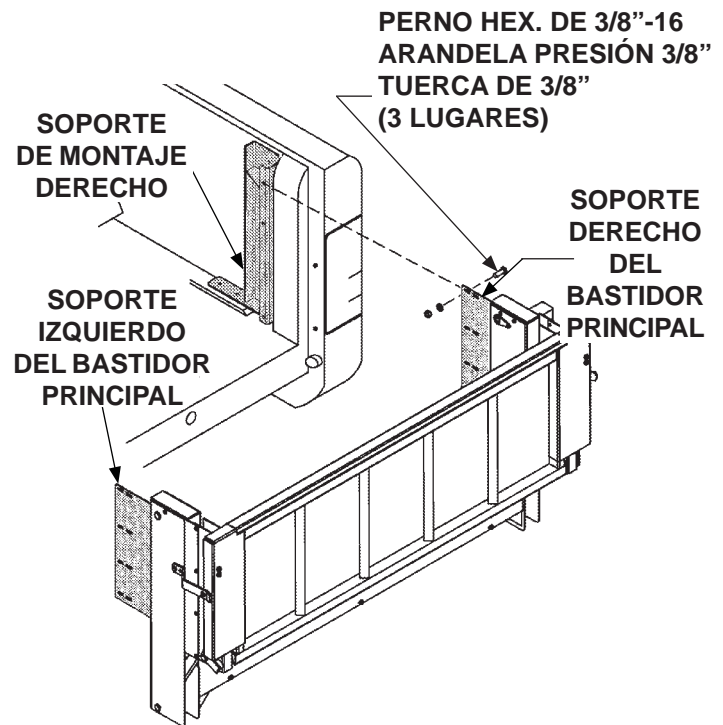
**ATORNILLAR SOPORTES ANGULARES Y SEPARADORES A LA PLATAFORMA DE LA CAMIONETA**  
**FIG. 41-1**

## INSTALAR EL ELEVADOR

**NOTA:** Los agujeros para los soportes de montaje se marcan y taladran solo hasta que el elevador esté en la posición correcta de la plataforma de la camioneta y no antes.

1. Posicione los soportes de montaje de ambos lados (arts. incl. en kit) en la plataforma de la camioneta adelante de los postes esquineros (**FIG. 42-1**).
2. Coloque el elevador en la apertura posterior de la plataforma del vehículo (**FIG. 42-1**).
  - Elevador centrado en la apertura posterior de la plataforma de la camioneta
  - Columnas verticales
  - Agujero para neumático de repuesto alineado con el tubo del neumático de repuesto en el vehículo
  - Parte superior del bastidor principal alineado con el suelo de la plataforma del vehículo

**NOTA:** Asegúrese que las tuercas y arandelas de presión estén en el lado interno de los soportes de montaje.



**ATORNILLAR EL ELEVADOR AL SOPORTE DE MONTAJE DERECHO FIG. 42-1**

3. Atornille los soportes del bastidor principal localizados en el elevador a los soportes de montaje derechos mostrados en la **FIG. 42-1**. Apriete manualmente los pernos y las tuercas. Haga lo mismo con el soporte de montaje izquierdo.

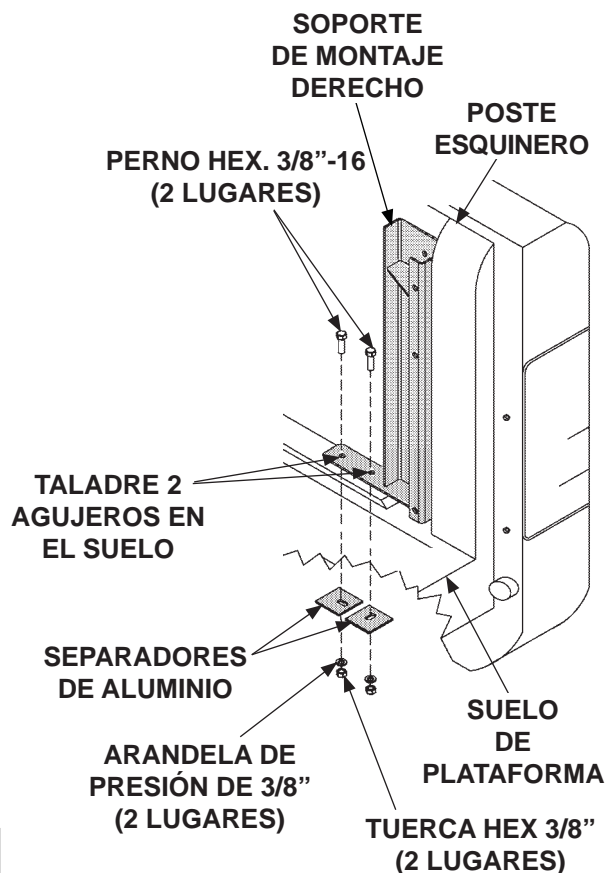
## INSTALAR EL ELEVADOR - Cont.

4. Deje que el elevador cuelgue con apoyo de los postes esquineros de la plataforma del vehículo.

### PRECAUCIÓN

Antes de perforar la plataforma de la camioneta, verifique que no haya obstrucciones o artículos que pudieran resultar dañados.

5. Sostenga el soporte de montaje derecho contra el esquinero de la plataforma de la camioneta (**FIG. 43-1**). Después, utilice 2 agujeros en el soporte para taladrar 2 agujeros para los pernos de 3/8"-16 en el suelo de la plataforma (**FIG. 43-1**). Repita este paso para el soporte de montaje izquierdo.



**ATORNILLAR EL SOPORTE DE MONTAJE DERECHO A LA PLATAFORMA DE LA CAMIONETA (NO SE MUESTRA EL ELEVADOR)**

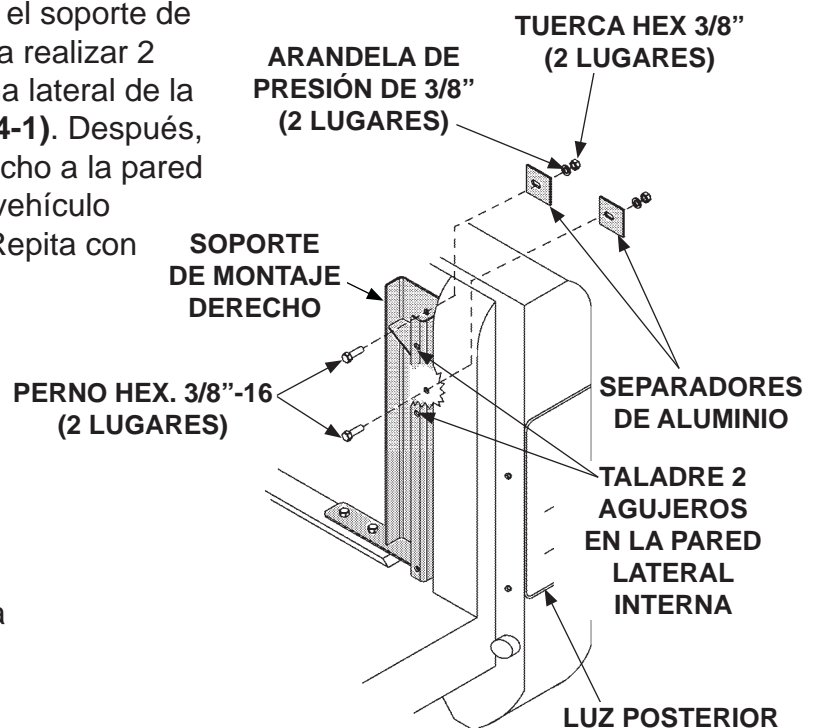
**FIG. 43-1**

**NOTA:** Utilice solamente los sujetadores galvanizados para atornillar los soportes de metal en la carrocería de aluminio de la camioneta, y los sujetadores de aluminio que se brindan con los kits de soportes y tornillos.

6. Atornille el soporte derecho de montaje en el suelo de la plataforma como se muestra en la **FIG. 43-1**. Repita con el soporte de montaje izquierdo.

**INSTALAR EL ELEVADOR - Cont.**

7. Utilice los 2 agujeros superiores en el soporte de montaje derecho como plantilla para realizar 2 agujeros a través de la pared interna lateral de la plataforma de la camioneta (**FIG. 44-1**). Después, atornille el soporte de montaje derecho a la pared interna lateral de la plataforma del vehículo como se muestra en la **FIG. 44-1**. Repita con el soporte de montaje izquierdo.



**ATORNILLAR EL SOPORTE DE MONTAJE DERECHO A LA PLATAFORMA DE LA CAMIONETA (NO SE MUESTRA ELEVADOR)**

**FIG. 44-1**

9. Asegure firmemente los pernos uniendo el soporte de montaje derecho al soporte del bastidor principal (**FIG. 44-1**). Asegure que las arandelas de presión abiertas no estén en los agujeros ranurados en el soporte del bastidor. Repita con el soporte de montaje izquierdo.

10. Reinstale las luces posteriores (**FIG. 44-1**).

## REVISAR EL ACCESO AL NEUMÁTICO DE REPUESTO

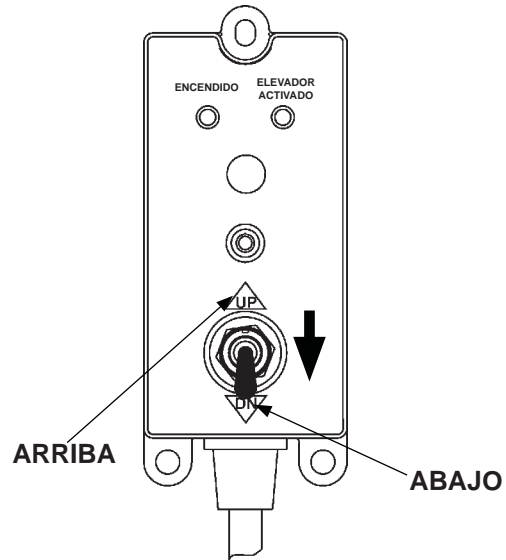
### PRECAUCIÓN

No utilice el cargador de batería para conectar la energía a los cables de alimentación del Elevador.

1. Conecte la energía de una batería para camioneta de 12 voltios a los cables de alimentación del Elevador que salen de la parte posterior de la carcasa del bastidor principal.
2. Consulte las instrucciones de operación para desplegar la plataforma y activar el Elevador en el **Manual de Operación para C2**.

**NOTA:** Con las luces de **ENCENDIDO** y de **ELEVADOR ACTIVADO** encendidas, el Elevador puede ser elevado y descendido. Si no se utiliza el Elevador durante 90 segundos, el control se desactivará automáticamente.

3. Utilice el interruptor para bajar (**DN**) la plataforma al suelo (**FIG. 45-1**).



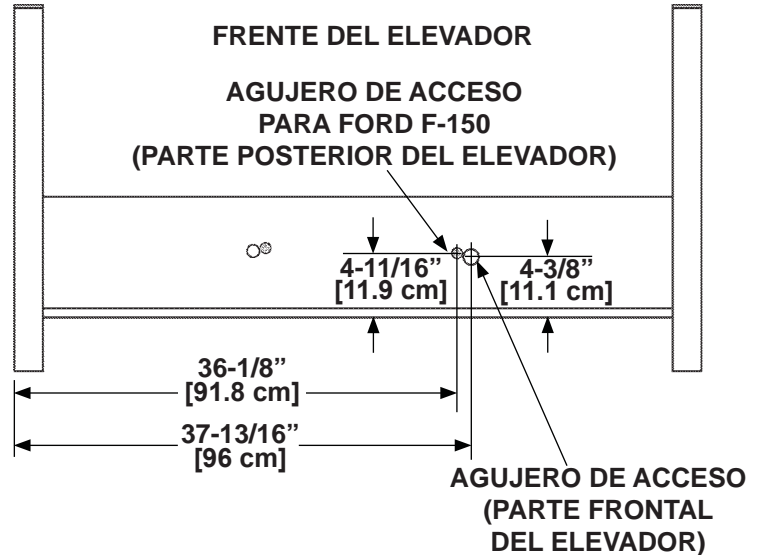
**UTILIZAR EL INTERRUPTOR  
PARA DESCENDER EL ELEVADOR  
FIG. 45-1**

## REVISAR EL ACCESO AL NEUMÁTICO DE REPUESTO - Cont.

COLUMNA IZQ.  
(LADO DEL CONDUCTOR)

4. Retire de la cubierta y del bastidor principal los tapones negros de plástico correctos (**FIG. 46-1**).

5. Inserte la manivela del neumático de repuesto a través de los agujeros en el bastidor principal del elevador.

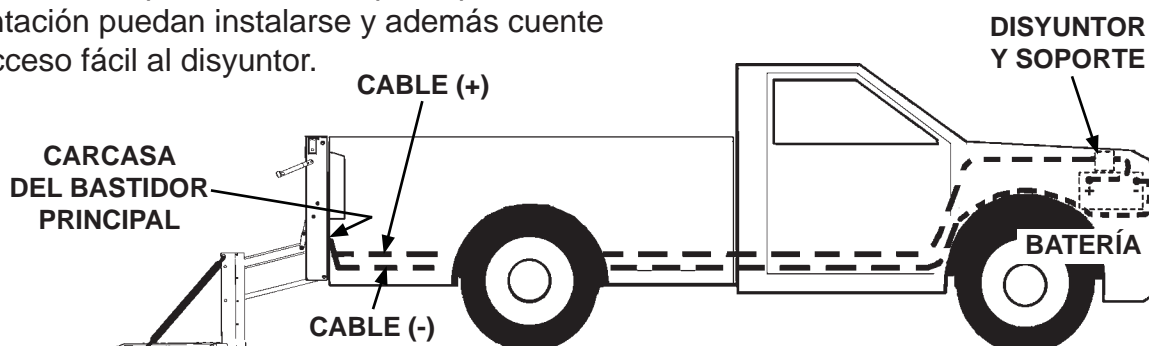


**RETIRAR LOS TAPONES DE PLÁSTICOS PARA ACCEDER AL NEUMÁTICO DE REPUESTO, FORD F-150 (2015-2019)**  
**FIG. 46-1**

6. Verifique que se tenga acceso al neumático de repuesto utilizando la manija.

## CANALIZAR LOS CABLES DE ALIMENTACIÓN

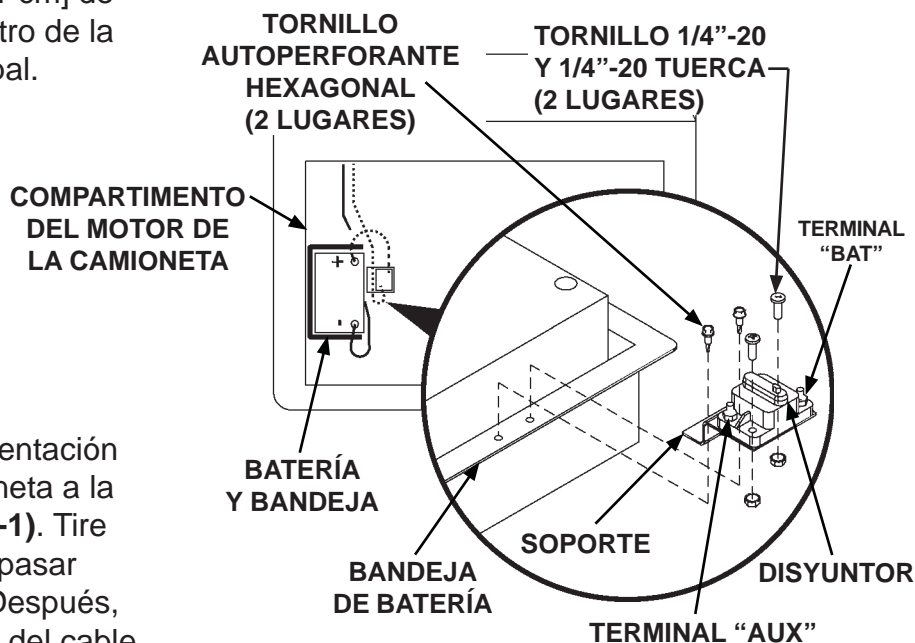
1. Retire el kit de partes pequeñas y manuales de la carcasa del bastidor. Consulte los contenidos de los kits en la **Hoja 33 y 34**.
2. Instale el disyuntor y el soporte (artículos incluidos en el kit) (**FIG. 47-1 y 47-2**) en la bandeja de la batería de la camioneta dentro del compartimento del motor (**FIG. 47-2**). Permita el espacio suficiente para que los cables de alimentación puedan instalarse y además cuente con un acceso fácil al disyuntor.



### INSTALAR LOS CABLES DE ALIMENTACIÓN DEL ELEVADOR A LA BATERÍA

FIG. 47-1

3. Tire de los cables de alimentación (+) y (-) a través del prensacables localizado en la parte posterior de la carcasa del bastidor. Deje aprox. 2" [5.1 cm] de soltura para los cables dentro de la carcasa del bastidor principal.



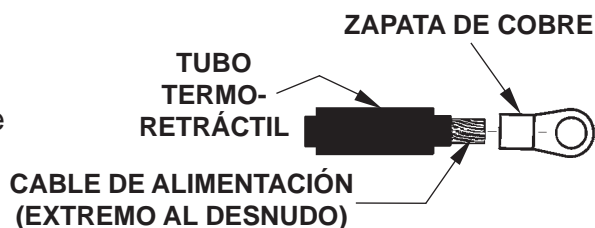
4. Canalice los cables de alimentación por el bastidor de la camioneta a la batería del mismo (**FIG. 47-1**). Tire del cable excedente hasta pasar las terminales de batería. Después, separe el cable positivo (+) del cable negativo (-).

### ATORNILLAR EL DISYUNTOR Y EL SOPORTE A LA BANDEJA DE LA BATERÍA (VISTA SUPERIOR)

FIG. 47-2

## CANALIZAR LOS CABLES DE ALIMENTACIÓN - Cont.

5. Corte el cable positivo (+) a la longitud necesaria para alcanzar la terminal **AUX** del disyuntor (**FIGS. 48-2 y 48-3**) sin tensar la conexión. Instale la zapata de cobre (incl. en kit) (**FIGS. 48-1 y 48-2**). Después conecte la terminal **AUX** al disyuntor de 150 A (**FIGS. 48-2 y 48-3**).

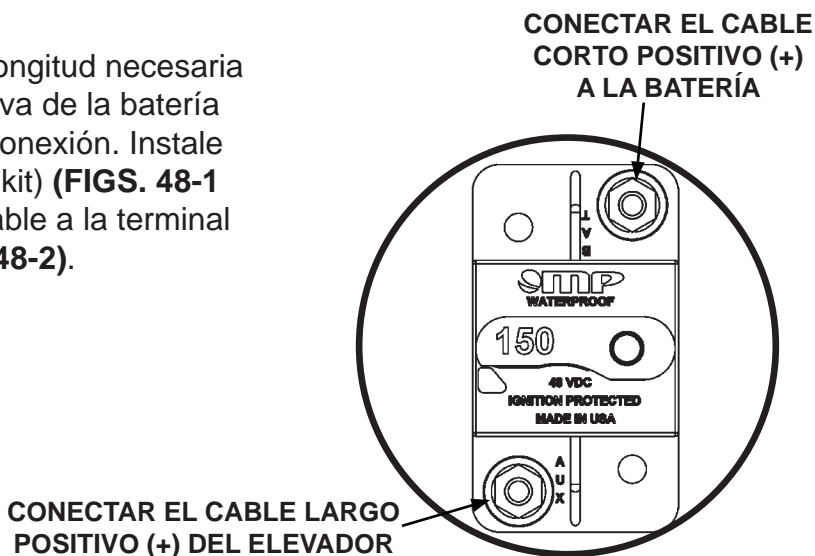


**COLOCAR LA ZAPATA DE COBRE Y EL TUBO TERMORETRÁCTIL EN EL CABLE DE ALIMENTACIÓN**  
**FIG. 48-1**

6. Corte el cable positivo (+) restante lo suficientemente largo para alcanzar de la terminal **BAT** del disyuntor a la terminal positiva (+) de la batería (**FIGS. 48-2 y 48-3**) sin tensar la conexión. Instale las zapatas de cobre (incluidas en kit) en ambos lados del cable (**FIGS. 48-1 y 48-2**). Después, conecte el cable a la terminal **BAT** en el disyuntor de 150 A (**FIGS. 48-2 y 48-3**) y la terminal positiva (+) en la batería (**FIG. 48-2**).

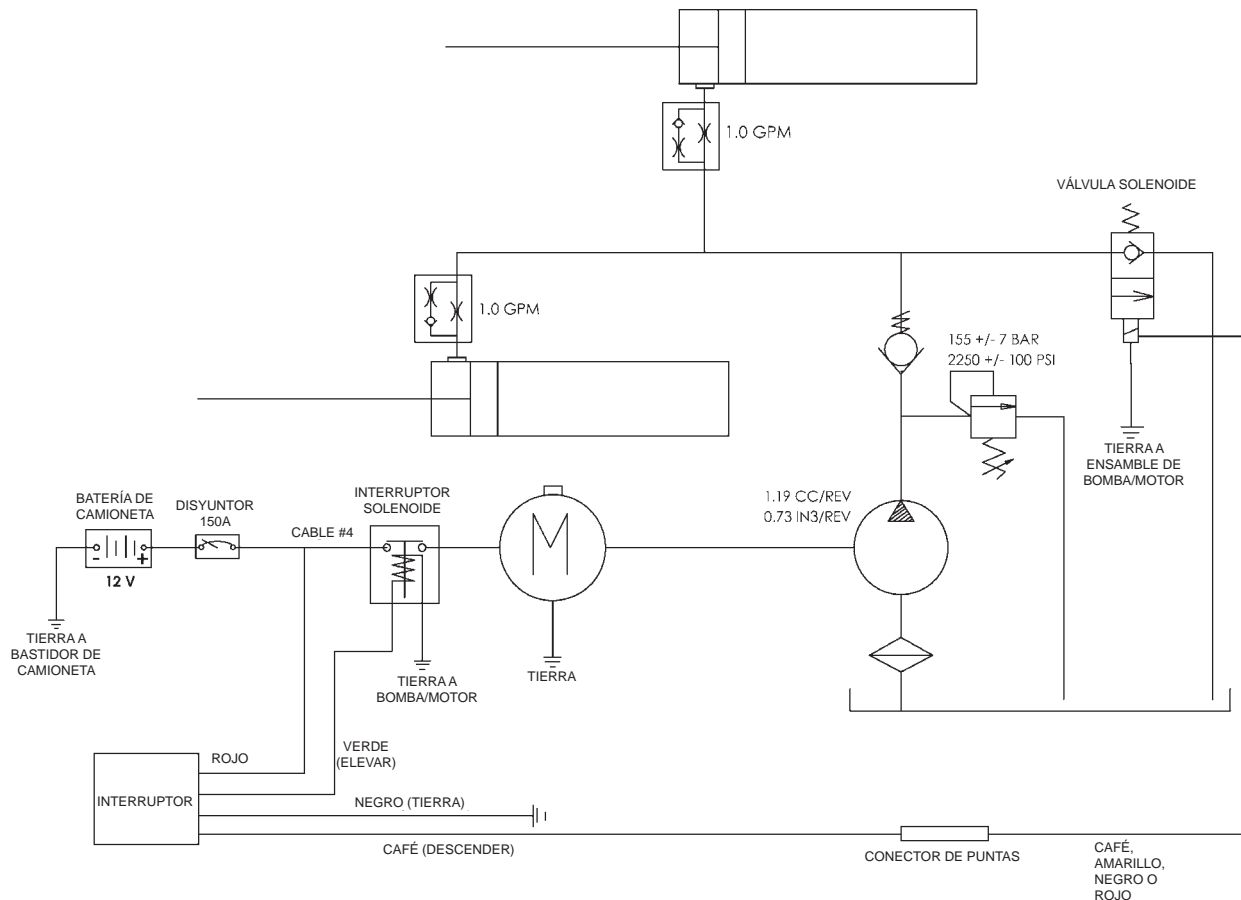


7. Corte el cable negativo (-) a la longitud necesaria para alcanzar la terminal negativa de la batería (-) (**FIG. 48-2**) sin tensionar la conexión. Instale la zapata de cobre (art. incl. en kit) (**FIGS. 48-1 y 48-2**). Después, conecte el cable a la terminal negativa (-) en la batería (**FIG. 48-2**).



**CONEXIONES DEL CABLE DE ALIMENTACIÓN AL DISYUNTOR DE 150 A**  
**FIG. 48-3**





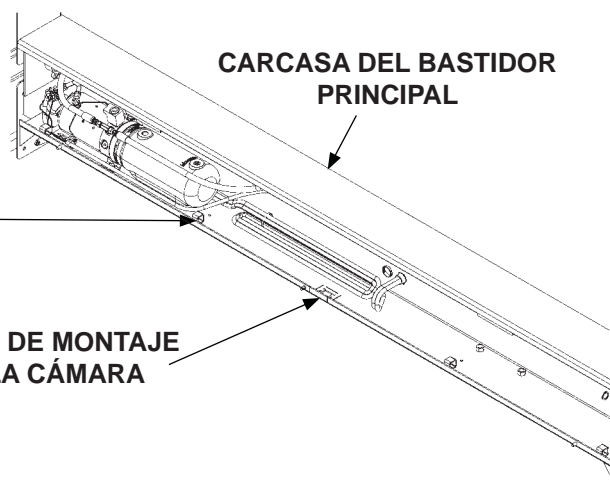
**DIAGRAMA DE SISTEMAS ELÉCTRICOS  
E HIDRÁULICOS PARA ELEVADOR C2  
FIG. 49-1**

## INSTALAR LA CÁMARA Y LOS SENSORES (SI SE EQUIPA)

1. Observe las ubicaciones del montaje de la cámara y el soporte de montaje del sensor en la carcasa del bastidor principal (**FIG. 50-1**).

SOPORTE DE MONTAJE  
PARA EL SENSOR  
(4 LUGARES)

SOPORTE DE MONTAJE  
PARA LA CÁMARA



UBICACIÓN DEL SOPORTE  
DE LA CÁMARA Y DEL SENSOR  
FIG. 50-1

2. Doble el soporte de montaje de la cámara aproximadamente 40° para un montaje correcto de la cámara (**FIGS. 50-2 y 50-2A**).

SOPORTE POSTERIOR  
PARA LA CÁMARA

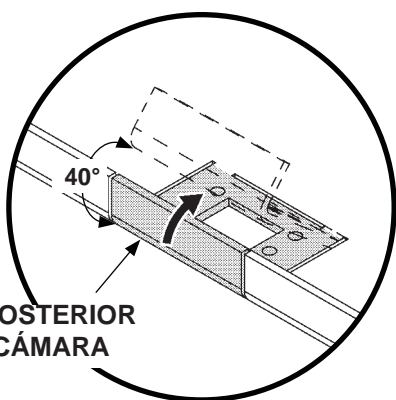
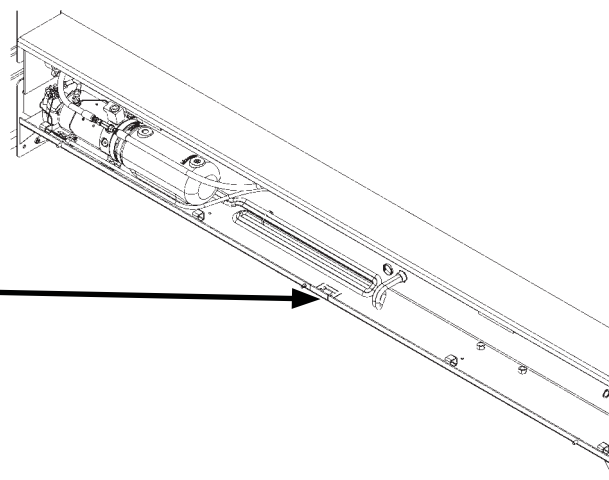


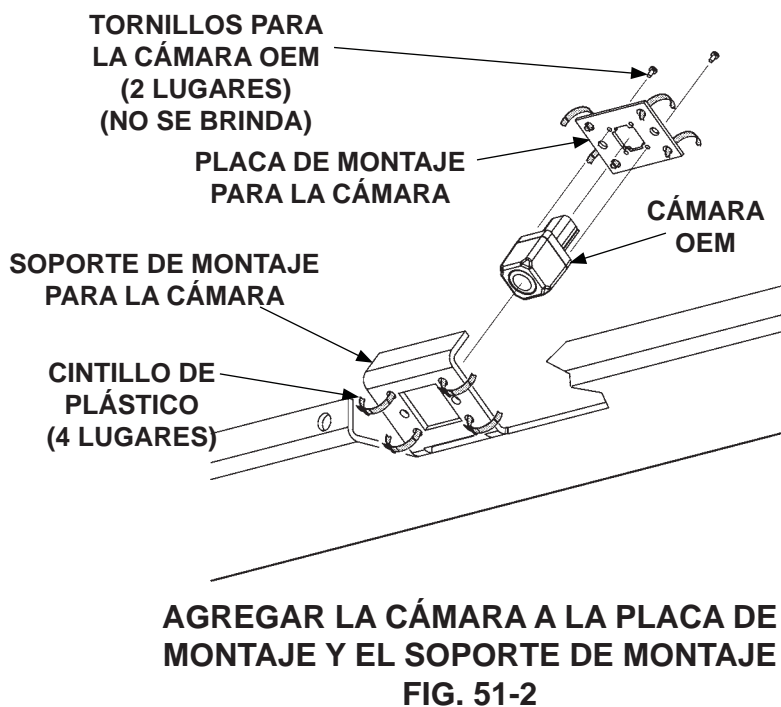
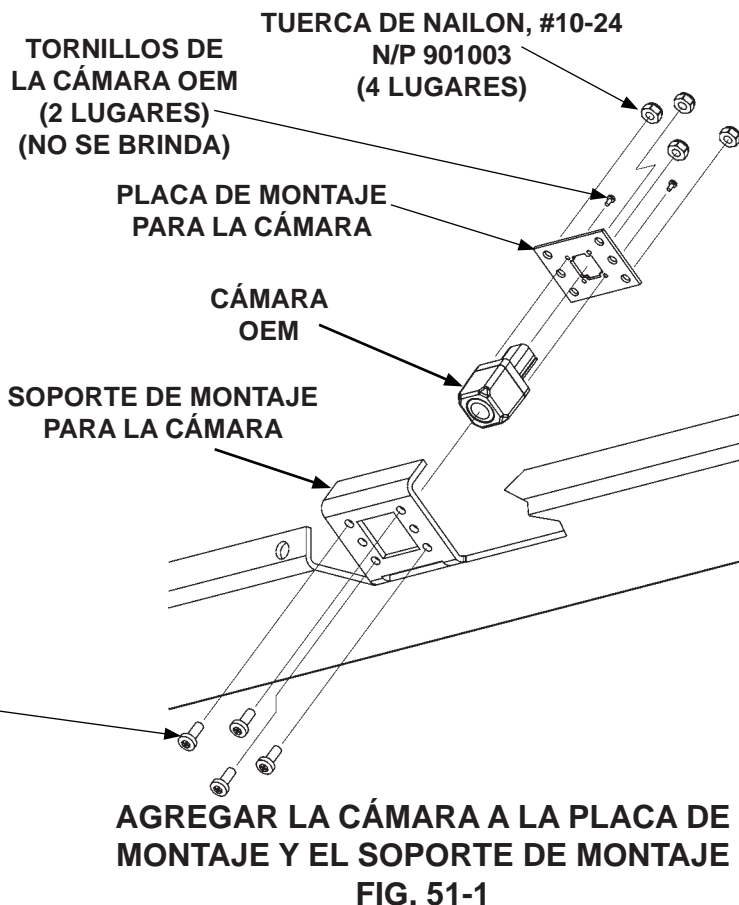
FIG. 50-2A



AJUSTAR EL SOPORTE  
DE LA CÁMARA  
FIG. 50-2

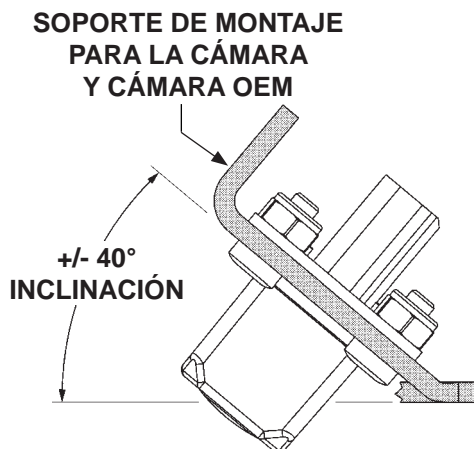
### INSTALAR LA CÁMARA Y LOS SENSORES (SI SE EQUIPA) - Cont.

3. La cámara OEM se puede fijar al soporte de montaje de la cámara de dos maneras. Añada la cámara a la placa de montaje de la cámara utilizando los tornillos de la cámara OEM (FIGS. 51-1 y 51-2). Después, añada la placa de montaje de la cámara y la cámara al soporte de montaje para la cámara utilizando las herramientas (art. de kit) (FIG. 51-1), ó los cintillos de plástico que se brindan (art. de kit) (FIG. 51-2). Conecte el arnés para la cámara OEM a la cámara.



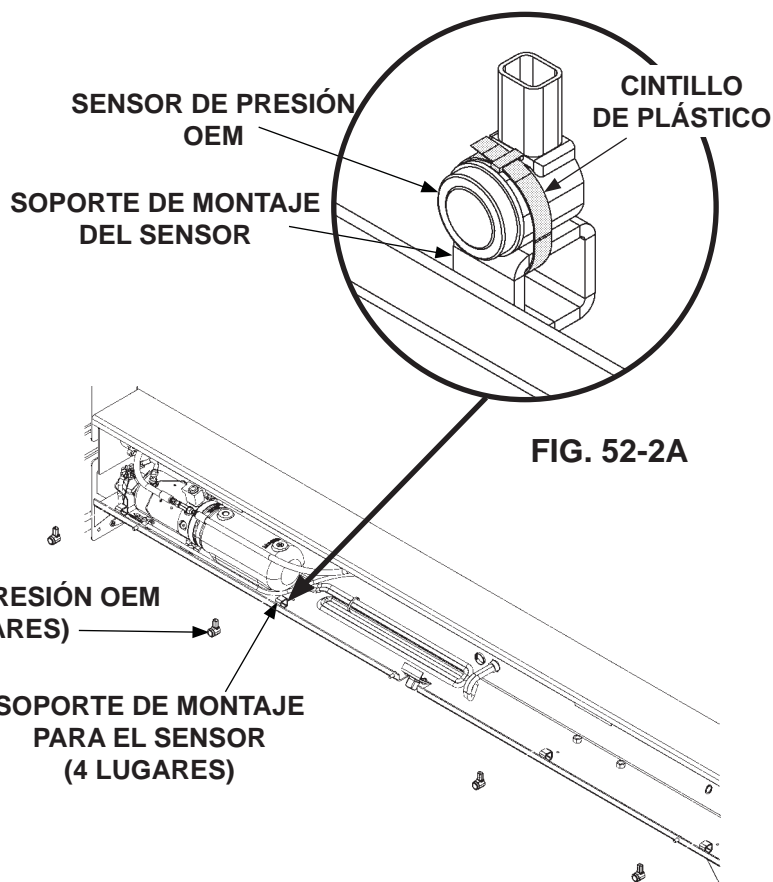
## INSTALAR LA CÁMARA Y LOS SENSORES (SI SE EQUIPA) - Cont.

4. Ajuste el ángulo de la cámara (**FIG. 52-1**) doblando el soporte de montaje para la cámara hasta que la imagen en la pantalla de la cámara de retroceso se adhiera al estándar FMVSS 111.



**AJUSTAR EL ÁNGULO DE LA CÁMARA**  
**FIG. 52-1**

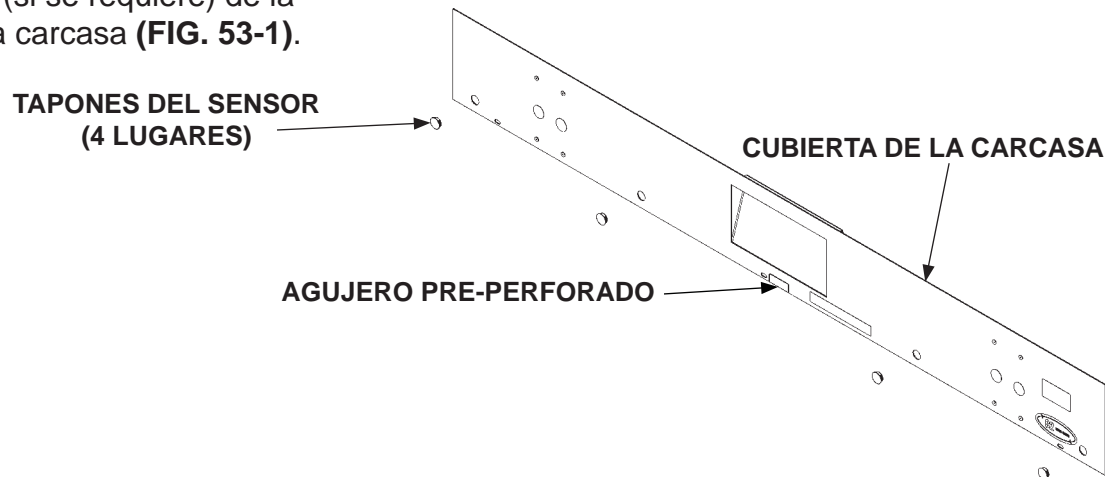
5. Instale cada uno de los sensores de presión OEM (si se equipa) en los 4 soportes, como se muestra en **FIGS. 52-2 y 52-2A**.
6. Utilice cintillos de plástico (art. de kit) para asegurar los sensores en los soportes de montaje, tal como se muestra en **FIG. 52-2A**.
7. Conecte el arnés del sensor de presión OEM en el vehículo a todos los sensores.



**INSTALAR SENSORES (SI SE EQUIPA)**  
**FIG. 52-2**

## INSTALAR LA CÁMARA Y LOS SENSORES (SI SE EQUIPA) - Cont.

8. Retire el agujero de la cámara pre-perforado y los tapones de los sensores (si se requiere) de la cubierta de la carcasa (**FIG. 53-1**).



**RETIRAR LOS TAPONES DE LOS SENSORES EN LA CUBIERTA DE LA CARCASA Y EL AGUJERO PRE-PERFORADO PARA LA CÁMARA FIG. 53-1**

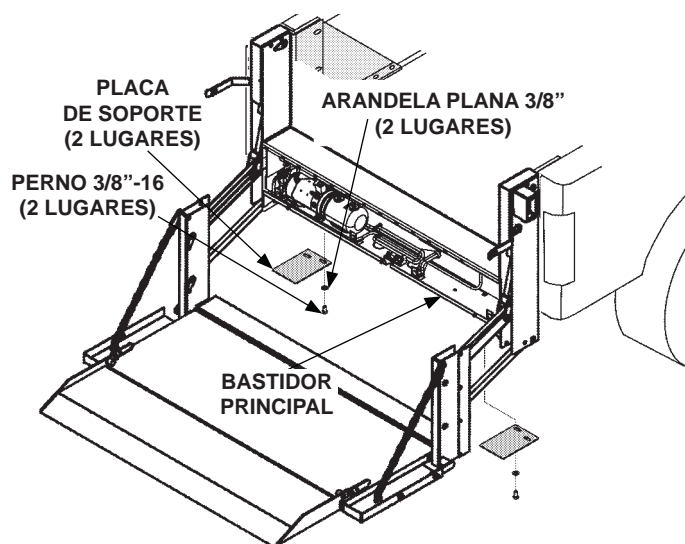
9. Volver a conectar el cable a tierra (-) en la batería del vehículo.

**INSTALAR LOS SOPORTES INFERIORES****PRECAUCIÓN**

**El elevador puede resultar severamente dañado al conectar la soldadora eléctrica al elevador en el lugar equivocado. Para prevenir daños, siempre conecte el cable a tierra directo al componente a soldar y tan cerca como sea posible a la soldadora.**

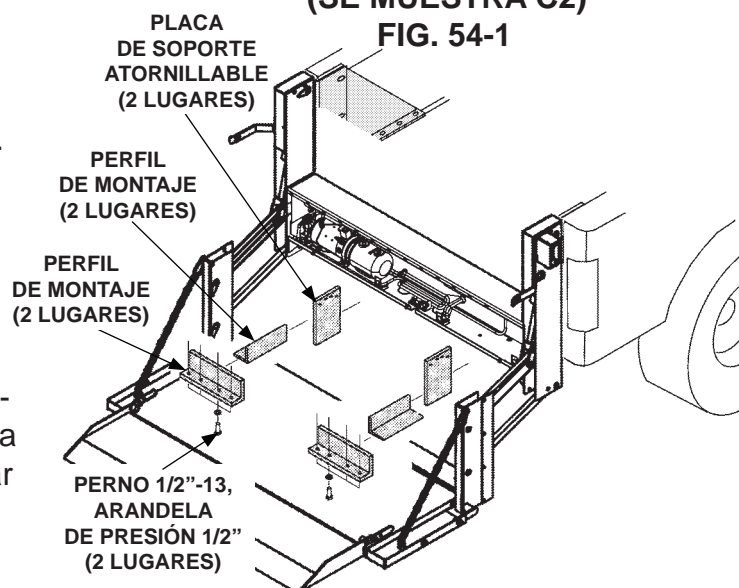
**NOTA:** Los soportes inferiores son esenciales para que el Elevador se instale correctamente. Se fijan al bastidor de la camioneta y soportan la parte inferior del Elevador.

1. Desatornille las placas de soporte de la parte inferior de la carcasa del bastidor principal (**FIG. 54-1**).
2. Posicione 2 perfiles para atornillar, lo más cerca del bastidor de la camioneta en la parte inferior de la carcasa del bastidor principal (**FIG. 54-2**). Después, atornille cada perfil al agujero asegurando un ajuste ceñido al bastidor.
3. Coloque 2 placas de soporte (art. en kit) en el bastidor inferior de la camioneta en la carcasa del bastidor principal del Elevador (**FIG. 54-2**). Atornille al bastidor de la camioneta. Si es necesario, modifique las placas de soporte para un mejor ajuste.
4. Sujete, con abrazaderas, 2 perfiles cortos (sin agujeros) (art. en kit) a las placas de soporte en el bastidor de la camioneta (**FIG. 54-2**). Posicione los 2 perfiles para que alcancen los perfiles atornillados en el inferior de la carcasa.
5. Con los perfiles y placas de soporte posicionados y sujetos con abrazaderas, una con puntos de soldadura los perfiles y las placas en su lugar (**FIG. 54-2**).
6. Desatornille del bastidor los soportes inferiores unidos con puntos de soldadura (**FIG. 54-2**). Después, termine de soldar las placas de soporte y los perfiles.
7. Atornille las placas de soporte y los perfiles ya soldados de vuelta en su posición al fondo del bastidor y la carcasa en el bastidor principal (**FIG. 54-2**).



**RETIRAR LAS PLACAS DE SOPORTE DE LA CARCASA EN EL BASTIDOR (SE MUESTRA C2)**

**FIG. 54-1**



**FABRICAR LOS SOPORTES INFERIORES PARA APOYAR AL ELEVADOR (SE MUESTRA C2)**

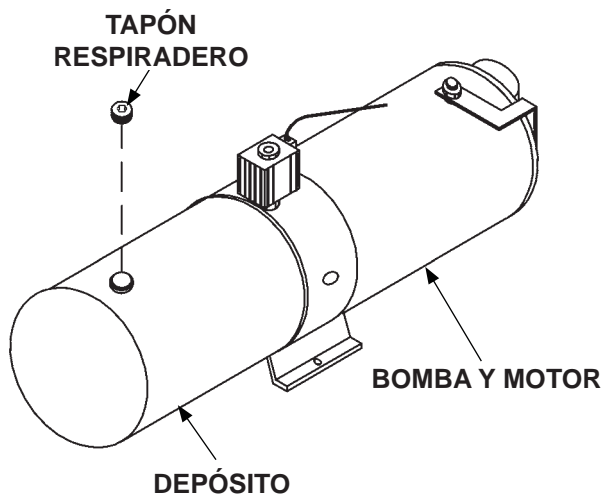
**FIG. 54-2**

## FINALIZAR LA INSTALACIÓN DEL ELEVADOR

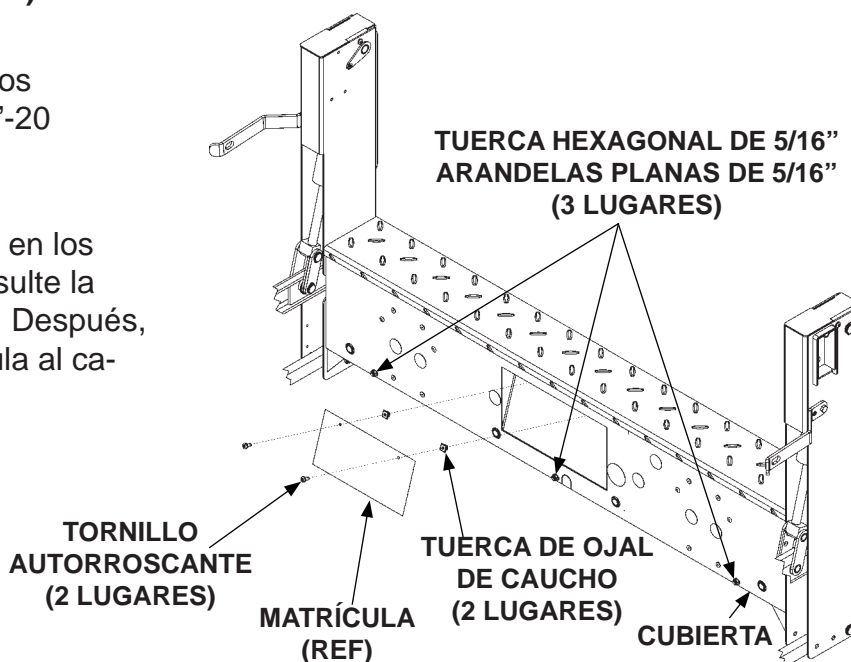
### PRECAUCIÓN

El sistema hidráulico se llena en la fábrica con la cantidad correcta de aceite. No es necesario añadir más aceite a menos que se requiera como parte del mantenimiento periódico del Elevador.

1. Retire el tapón sólido del depósito de la bomba (**FIG. 55-1**). Instale el tapón respiradero (incluido en kit) en el depósito de la bomba.
2. Atornille la cubierta del bastidor principal (**FIG. 55-2**).
3. Instale las dos tuercas cuadradas plásticas de ojal (incl. en kit) para la matrícula, en los agujeros cuadrados de la cubierta del bastidor principal del Elevador (**FIG. 55-2**).
4. Instale la matrícula utilizando dos tornillos autorroscantes de 1/4"-20 (incluidos en kit) (**FIG. 55-2**).
5. Instale las luces para matrícula en los agujeros proporcionados. Consulte la hoja de instrucciones **M-14-35**. Después, conecte las luces de la matrícula al cableado del vehículo.



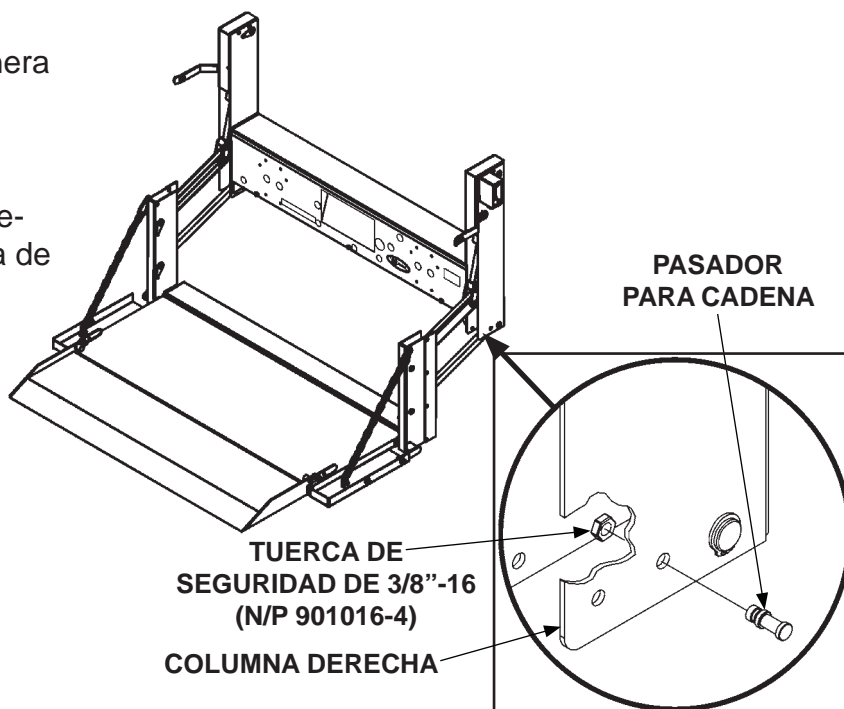
**INSTALAR TAPÓN RESPIRADERO EN EL DEPÓSITO DE LA BOMBA**  
**FIG. 55-1**



**INSTALAR CUBIERTA Y MATRÍCULA (SE MUESTRA ELEVADOR C2)**  
**FIG. 55-2**

## FINALIZAR LA INSTALACIÓN DEL ELEVADOR - Cont.

6. Para bajar la plataforma de manera vertical, instale el pasador para cadena y una tuerca de 3/8"-16 (artículos incluidos en kit) en la parte inferior de la columna derecha (**FIG. 56-1**). Ajuste la tuerca de seguridad firmemente.



**INSTALAR PASADOR PARA CADENA  
EN LA COLUMNA DERECHA  
(SE MUESTRA ELEVADOR C2)  
FIG. 56-1**

7. Instale los tapones plásticos redondos de 3/8" [9 mm] en los agujeros vacíos localizados en la parte inferior de las columnas.
8. Reinstale el neumático de repuesto si lo retiró antes.



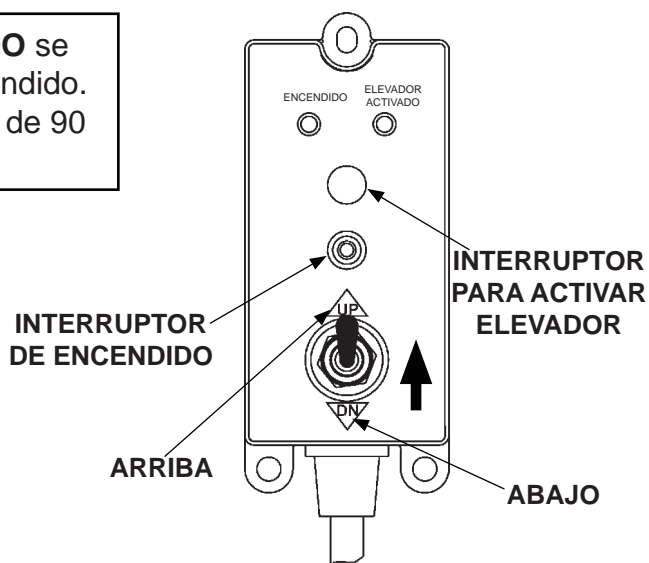
## REALIZAR LA PRUEBA DE OPERACIÓN DEL ELEVADOR

### ⚠ ADVERTENCIA

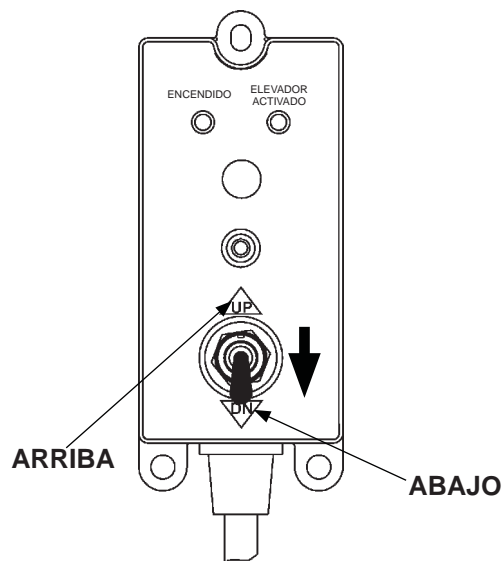
Mantenga todo objeto ajeno fuera del bastidor principal del Elevador y lejos de las zonas de pliegue cuando el Elevador esté en operación.

**NOTA:** La luz LED de **ELEVADOR ACTIVADO** se ilumina cuando el Elevador está encendido. El interruptor se desactivará después de 90 segundos de no utilizarlo.

1. Revise la correcta operación del interruptor presionando el botón de **ENCENDIDO** una vez para activarlo. Ahora presione el botón de **ENCENDIDO** nuevamente para desactivar el Elevador. Después, presione el botón de **ENCENDIDO** dos veces para restablecer el voltaje bajo (**FIG. 57-1**).
2. Presione el botón de **ELEVADOR ACTIVADO** antes de que pase 1 segundo para activar el temporizador (**FIG. 57-1**).
3. Eleve (**UP**) y descienda (**DN**) la plataforma sin carga (**FIGS. 57-1** y **57-2**) sobre terreno plano. Verifique la correcta velocidad de operación y alineación en relación al suelo.
4. Cargue la plataforma con la capacidad nominal y mida el tiempo que toma **ELEVAR** la plataforma (**FIG. 57-1**). La plataforma debe elevarse aproximadamente de 2" a 3" [5.1 a 7.6 cm] por segundo.
5. Examine la plataforma buscando cualquier clase de inclinación descendiente.
6. Mida el tiempo que toma **DESCENDER** la plataforma aún cargada (**FIG. 57-2**). La carga debe descender de 7" a 9" [17.8 a 22.9 cm] por segundo.
7. Retire la carga de la plataforma y examine tanto el Elevador como el vehículo buscando fugas hidráulicas, cableado suelto y cualquier otro problema.
8. Reinstale la cubierta de la carcasa del bastidor principal. Después, cierre y enganche la plataforma.



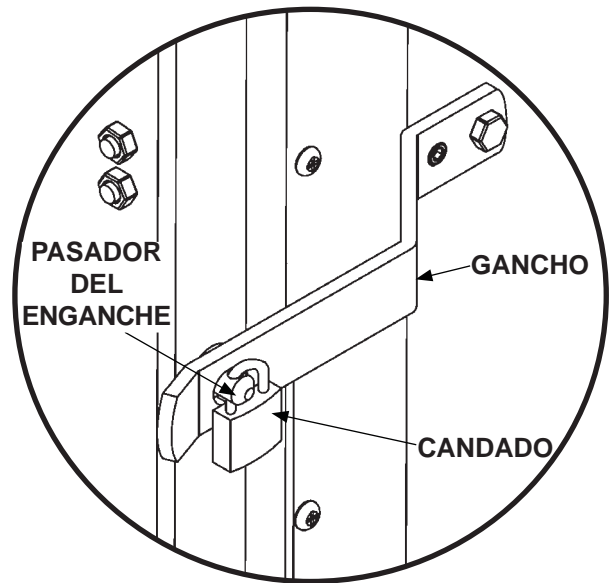
**VERIFICAR OPERACIÓN DEL INTERRUPTOR Y ELEVAR LA PLATAFORMA FIG. 57-1**



**UTILIZAR INTERRUPTOR PARA DESCENDER LA PLATAFORMA FIG. 57-2**

## REALIZAR LA PRUEBA DE OPERACIÓN DEL ELEVADOR - Cont.

9. Asegure el gancho en el lado derecho o izquierdo a través del agujero en el pasador del enganche (**FIG. 58-1**).



**ASEGURAR LA PLATAFORMA  
(ELEVADOR C2)  
FIG. 58-1**