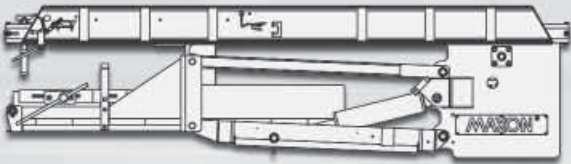


M-13-01
REV. D
SEPTEMBER 2017



MAXON®

RA Series

INSTALLATION MANUAL

RA-35 & RA-45

To find maintenance and parts information for your RA Liftgate, go to www.maxonlift.com. Click the **PRODUCTS**, **SLIDELIFT** & **RA** buttons. Open the **Maintenance Manual** in the **PRODUCT DOCUMENTATION** window. For parts, click on the **PARTS PORTAL**, **SLIDELIFT** & **RA** buttons.

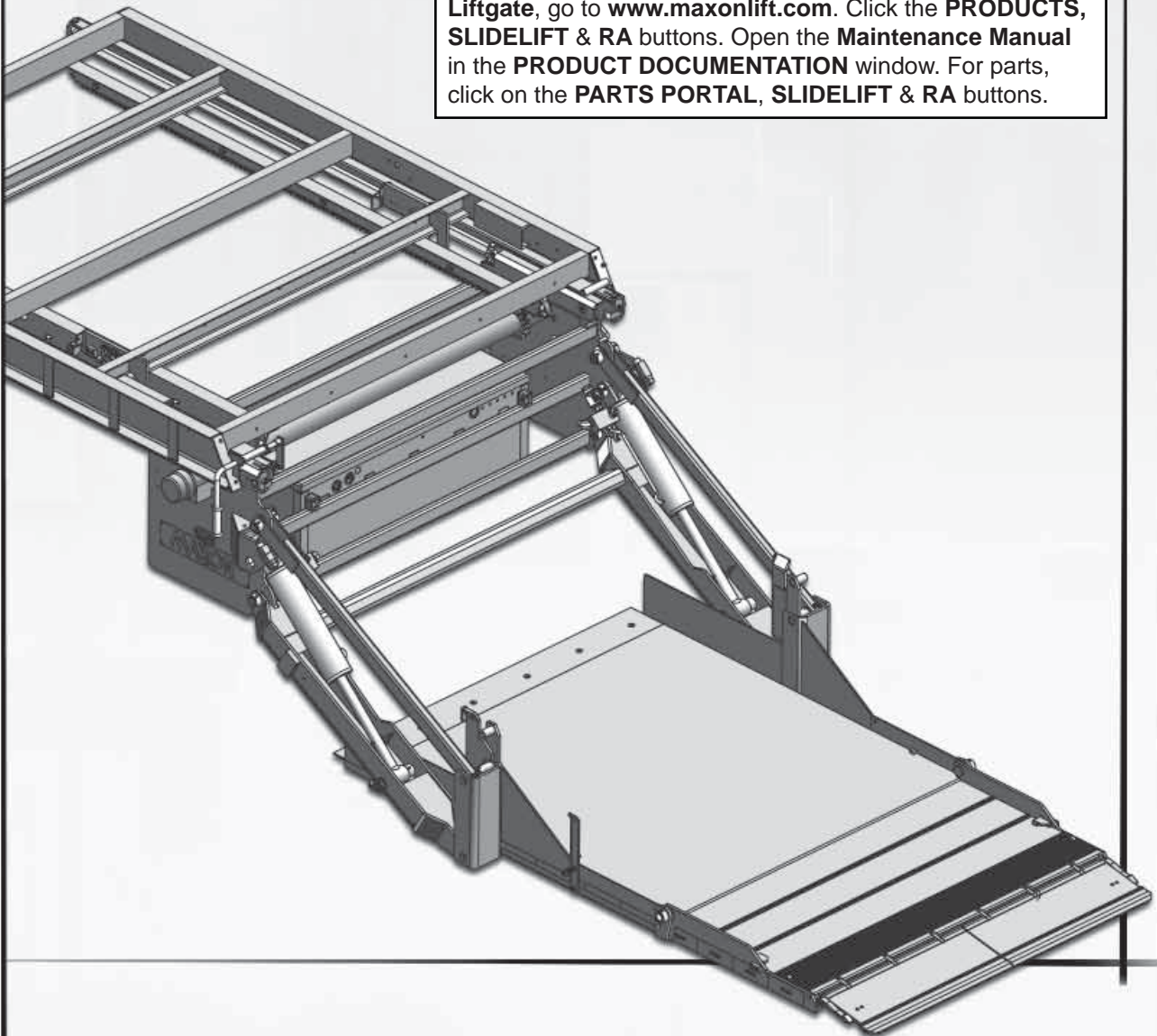


TABLE OF CONTENTS

SUMMARY OF CHANGES: M-13-01, REVISION D.....	3
WARNINGS.....	4
SAFETY INSTRUCTIONS	5
NOTICE.....	5
VEHICLE REQUIREMENTS.....	6
STEP 1 - PREPARE LIFTGATE FOR INSTALLATION	9
STEP 2 - WELD LIFTGATE ON TRAILER	13
STEP 3 - LEVELING PLATFORM.....	17
STEP 4 - FINISH WELDING LIFTGATE	23
STEP 5 - ATTACH CONTROL SWITCHES TO TRAILER.....	24
STEP 6 - ATTACH STOW LIGHT TO TRAILER	35
STEP 7 - RECOMMENDED LIFTGATE POWER CONFIGURATION.....	37
ATTACH DECALS	38
DECAL POSITIONS	40
SYSTEM DIAGRAMS.....	42
PUMP & MOTOR SOLENOID OPERATION.....	42
HYDRAULIC SCHEMATIC	43
ELECTRICAL SCHEMATIC.....	44
STOW SIGNAL ELECTRICAL SCHEMATIC.....	45
OPTIONS	46

SUMMARY OF CHANGES: M-13-01, REVISION D

PAGE	DESCRIPTION OF CHANGE
COVER	Updated REV, date of release, and cover statement.
4	Removed WARNING & decal about welding on galvanized steel. Added reference to American Welding Society (AWS) practices D19.0, Welding Zinc-Coated Steel.
43	Hydraulic schematic is updated to show current Bucher pump.

MAXON® 11921 Slauson Ave. Santa Fe Springs, CA. 90670 (800) 227-4116 FAX (888) 771-7713

Comply with the following **WARNINGS** and **SAFETY INSTRUCTIONS** while installing Liftgates. See Operation Manual for operating safety requirements.

WARNING

- Do not stand, or allow obstructions, under the platform when lowering the Liftgate. **Be sure your feet are clear of the Liftgate.**
- **Keep fingers, hands, arms, legs, and feet clear of moving Liftgate parts (and platform edges) when operating the Liftgate.**
- **Correctly stow platform when not in use. Extended platforms could create a hazard for people and vehicles passing by.**
- **Make sure vehicle battery power is disconnected** while installing Liftgate. Connect vehicle battery power to the Liftgate only when installation is complete or as required in the installation instructions.
- If it is necessary to stand on the platform while operating the Liftgate, keep your feet and any objects clear of the inboard edge of the platform. Your feet or objects on the platform can become trapped between the platform and the Liftgate extension plate.
- Never perform unauthorized modifications on the Liftgate. Modifications may result in early failure of the Liftgate and may create hazards for Liftgate operators and maintainers.
- Recommended practices for welding on steel parts are contained in the current **AWS (American Welding Society) D1.1 Structural Welding Code - Steel**. Damage to Liftgate and/or vehicle, and personal injury can result from welds that are done incorrectly.
- Recommended practices for welding galvanized steel are contained in the current **AWS (American Welding Society) D19.0 Welding Zinc-Coated Steel**. Damage to Liftgate and/or vehicle, and personal injury can result from welds that are done incorrectly.

SAFETY INSTRUCTIONS

- Read and understand the instructions in this **Installation Manual** before installing Liftgate.
- Before operating the Liftgate, read and understand the operating instructions in **Operation Manual**.
- Comply with all **WARNING** and instruction decals attached to the Liftgate.
- Keep decals clean and legible. If decals are illegible or missing, replace them. Free replacement decals are available from **Maxon Customer Service**.
- Consider the safety and location of bystanders and location of nearby objects when operating the Liftgate. Stand to one side of the platform while operating the Liftgate.
- Do not allow untrained persons to operate the Liftgate.
- Wear appropriate safety equipment such as protective eyeglasses, faceshield and clothing while performing maintenance on the Liftgate and handling the battery. Debris from drilling and contact with battery acid may injure unprotected eyes and skin.
- Be careful working by an automotive type battery. Make sure the work area is well ventilated and there are no flames or sparks near the battery. Never lay objects on the battery that can short the terminals together. If battery acid gets in your eyes, immediately seek first aid. If acid gets on your skin, immediately wash it off with soap and water.
- If an emergency situation arises (vehicle or Liftgate) while operating the Liftgate, release the control switch to stop the Liftgate.
- A correctly installed Liftgate operates smoothly and reasonably quiet. The only noticeable noise during operation comes from the power unit while the platform is raised and lowered. Listen for scraping, grating and binding noises and correct the problem before continuing to operate Liftgate.

NOTICE

- Maxon Lift is responsible for the instructions to correctly install **MAXON** Liftgates on trucks or trailers only.
- Liftgate installers, not Maxon Lift, are responsible for reviewing and complying with all applicable Federal, State, and Local regulations pertaining to the trailer or truck.

VEHICLE REQUIREMENTS

CAUTION

To prevent damage to Liftgate and trailer, install stops on the slide rails to keep the sliding AA from hitting Liftgate. Refer to Liftgate clearance dimensions in this section of the manual.

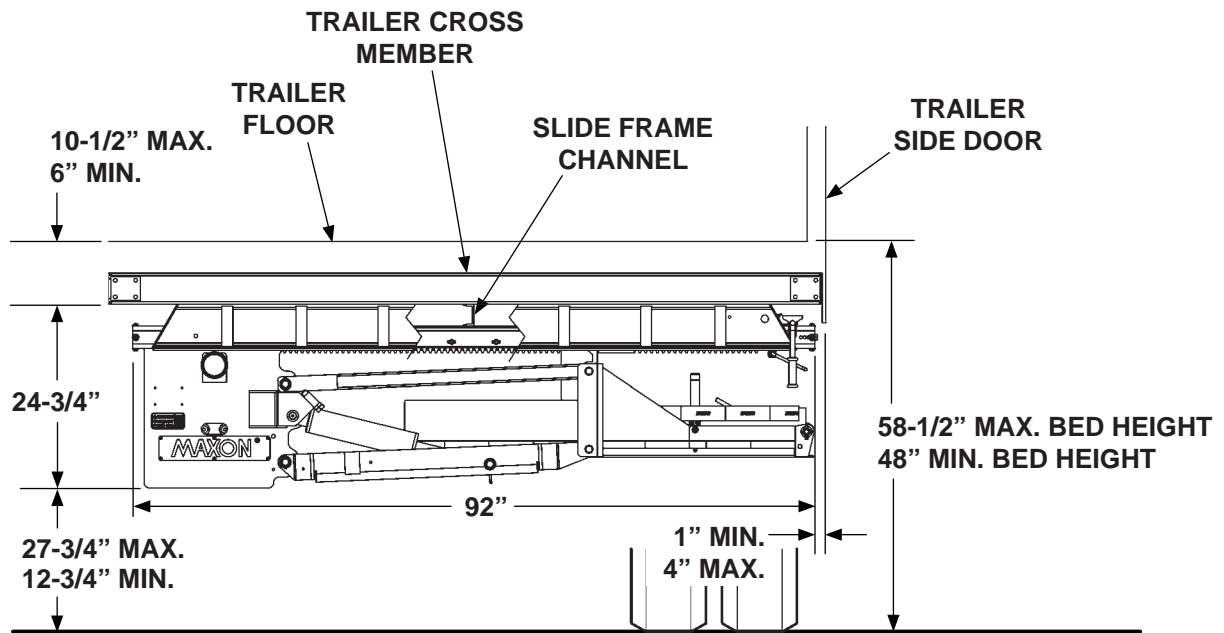
NOTE: BODY maximum and minimum operating bed height:

Maximum height is **58-1/2"** (Unloaded). Minimum height is **48"** (Loaded). On vehicle bodies equipped with swing-open doors, the heel of platform may have to be notched to prevent interference from trailer.

NOTE: Make sure vehicle is parked on level ground while preparing vehicle and installing Liftgate.

NOTE: Dimensions are provided as reference for fitting Liftgate to vehicle body.

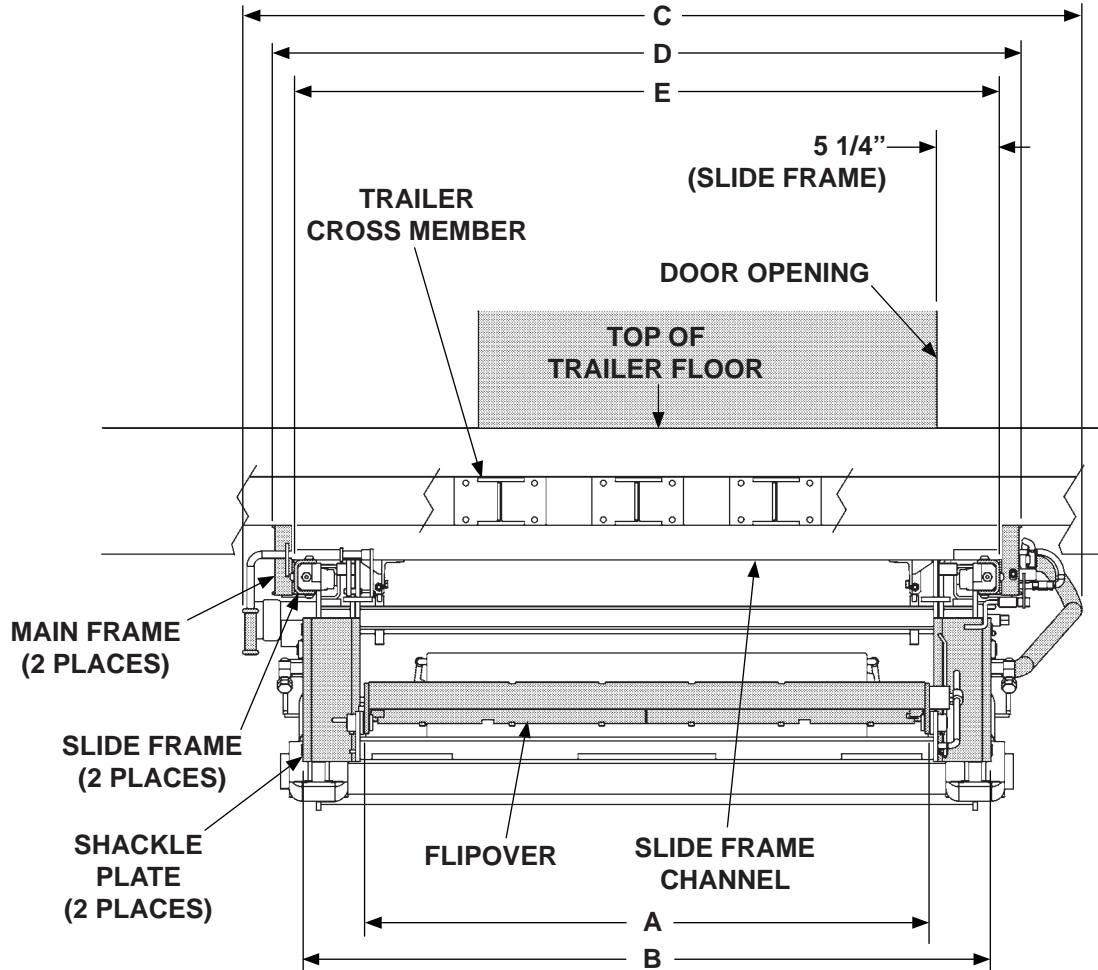
Check for correct clearances (**FIG. 6-1, FIG. 7-1 and TABLE 7-1**) on vehicle to prevent interference between vehicle and Liftgate.



**SIDE VIEW OF LIFTGATE AS SEEN
FROM REAR OF TRAILER
FIG. 6-1**

VEHICLE REQUIREMENTS - Continued

NOTE: Offset Liftgate 4-1/8" from the door opening to the outer edge of the slide frame (FIG. 7-1) so the platform will not hit the door when the door is open.



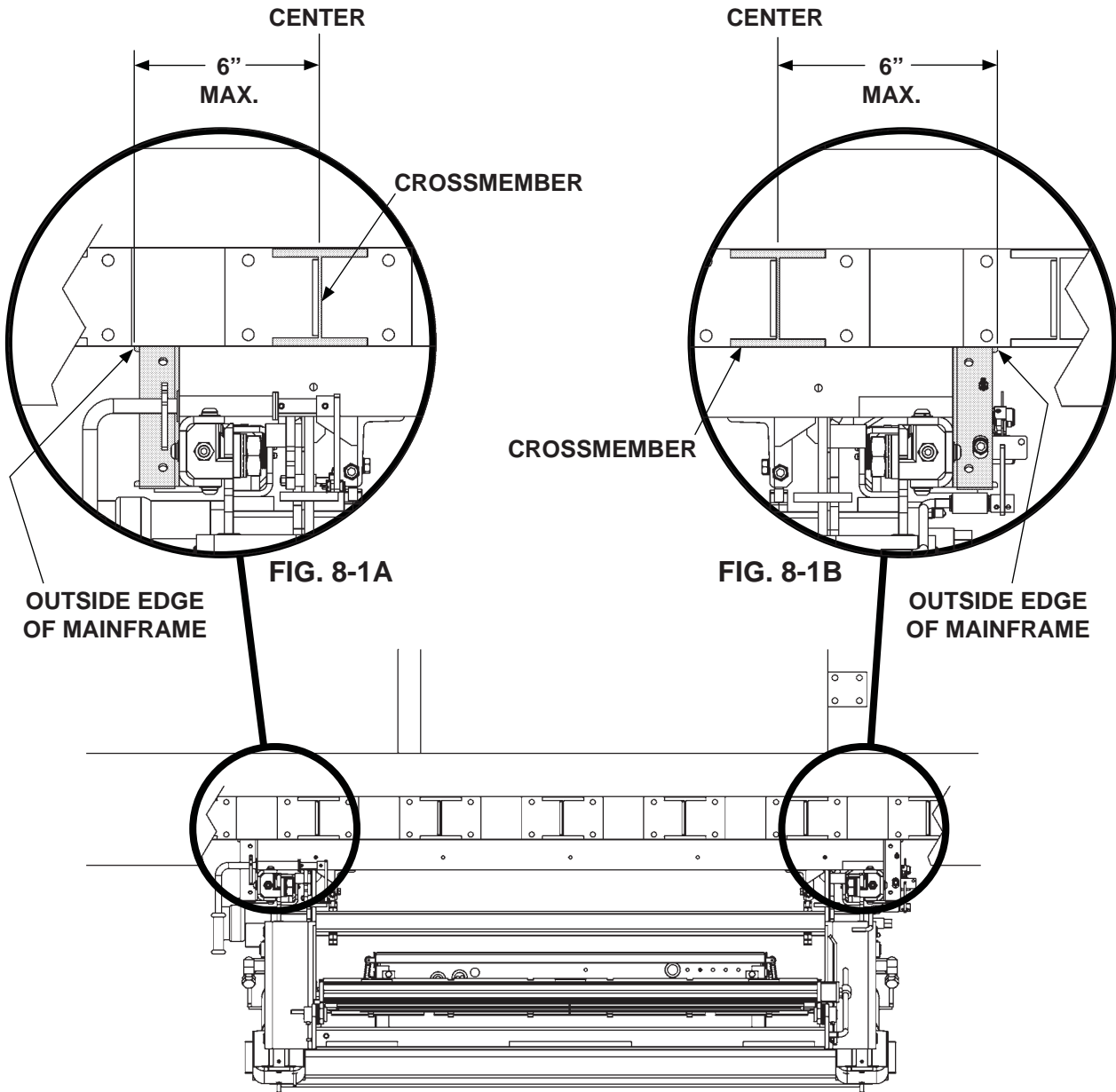
**TRAILER SIDE DOOR AND
LIFTGATE IN STOWED POSITION
FIG. 7-1**

A (FLIPOVER WIDTH)	B (ACROSS SHACKLE PLATES)	C (OVERALL WIDTH)	D (OUTER EDGE OF MAIN FRAME)	E (OUTER EDGE OF SLIDE FRAME)
49-1/4"	60"	77-7/8"	65"	61-1/2"
61-1/4"	72"	89-7/8"	77"	73-1/2"
83-1/4"	94"	112-1/8"	99"	95-1/2"

**MOUNTING SPACE REQUIREMENTS
TABLE 7-1**

VEHICLE REQUIREMENTS - Continued

NOTE: Center of crossmembers must be no more than 6" from outer edges of mainframe. If more than 6", consult the trailer manufacturer (**FIGS. 8-1, 8-1A and 8-1B**).

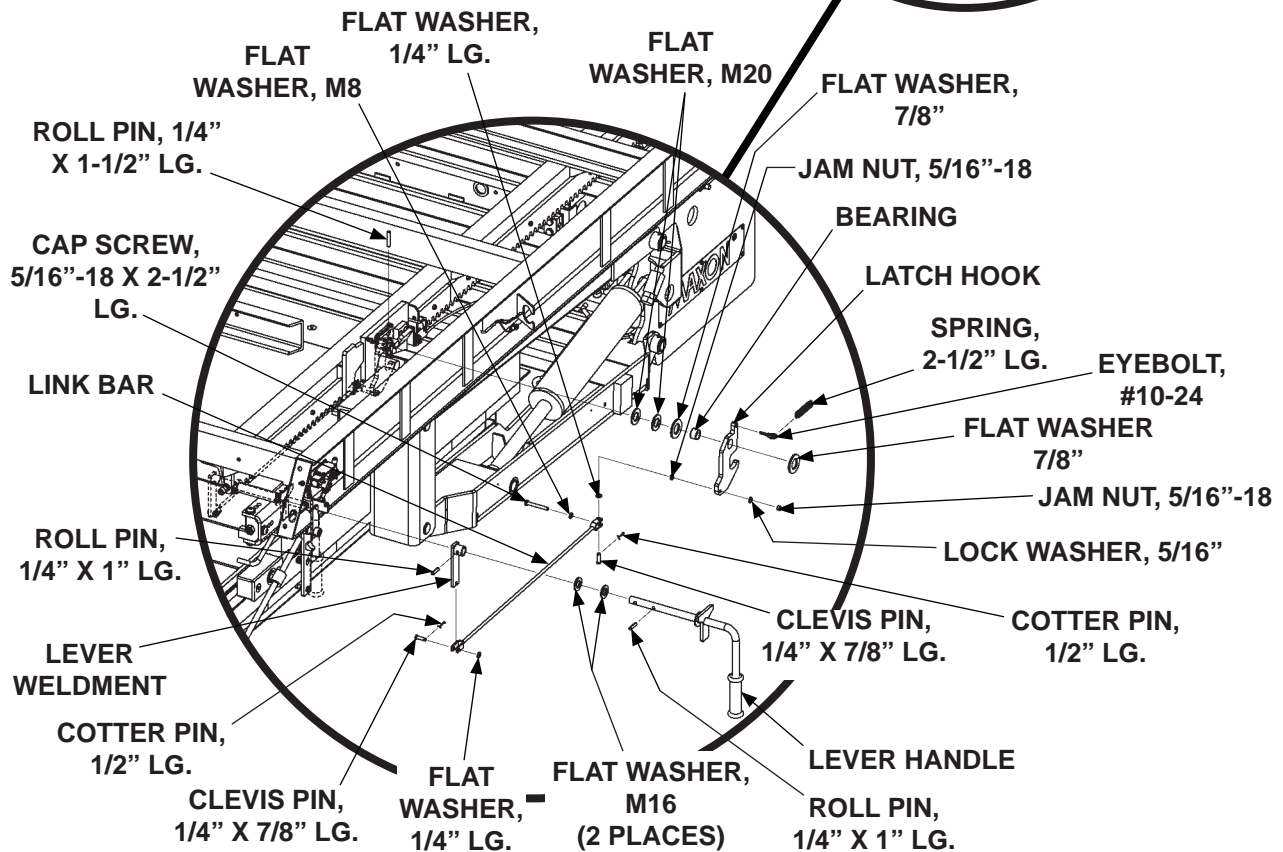
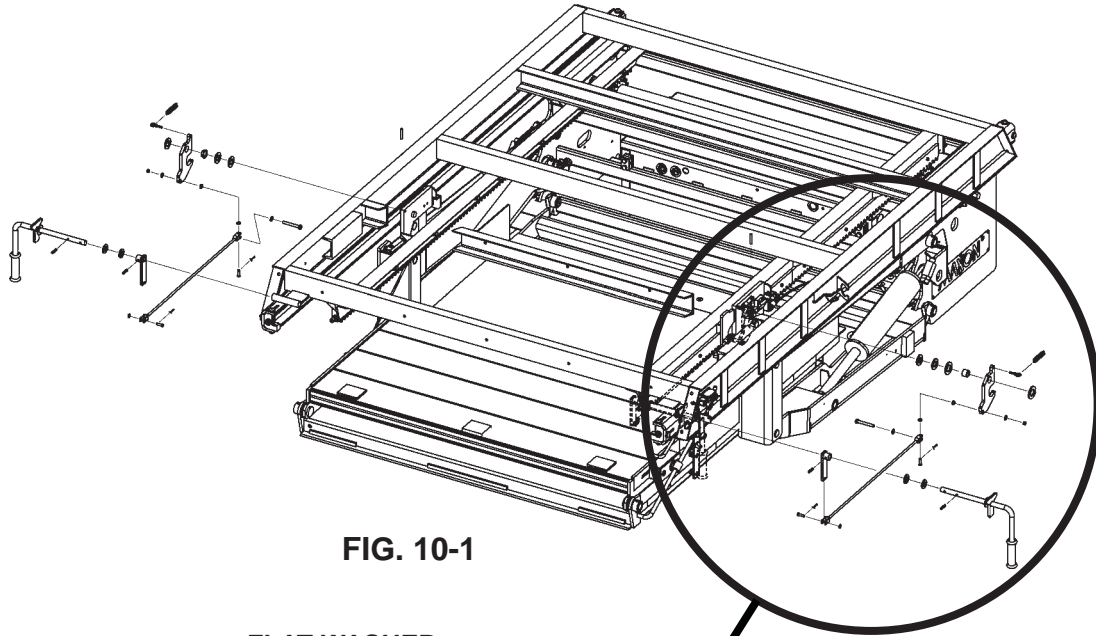


STEP 1 - PREPARE LIFTGATE FOR INSTALLATION

NOTE: RA Liftgates are equipped with mechanical and electrical controls that can be located on the LH side or RH side of the Liftgate. The Liftgate is shipped with stow latch, latch handle, and flipover latch on the LH side of the Liftgate. It is ready to mount on a trailer with the side door hinges on the RH side of the door. Liftgate will be offset to the LH side of the trailer door, opposite of the hinges. The external control switch and wall switches will also be mounted on the LH side of the door. If the trailer side door hinges are on the LH side, the mechanical controls (stow latch, latch handle and flipover latch) should be moved to the RH side of the Liftgate before the Liftgate is positioned and welded on the trailer cross members. In this case, the external control switches and wall switches will be mounted on the RH side of the trailer side door. The following instructions illustrate how to move the mechanical controls to the RH side of the Liftgate, if necessary.

STEP 1 - PREPARE LIFTGATE FOR INSTALLATION - Continued

1. If door hinges are mounted on the LH side of side door opening, disassemble stow latch and stow latch handle from LH side of liftgate, and reassemble on the RH side of the Liftgate (FIGS 10-1 and 10-1A).



STEP 1 - PREPARE LIFTGATE FOR INSTALLATION - Continued

2. Move proximity sensor to the RH side of Liftgate (FIGS. 11-1 and 11-1A). Then, route cable as shown in FIG. 11-1B.

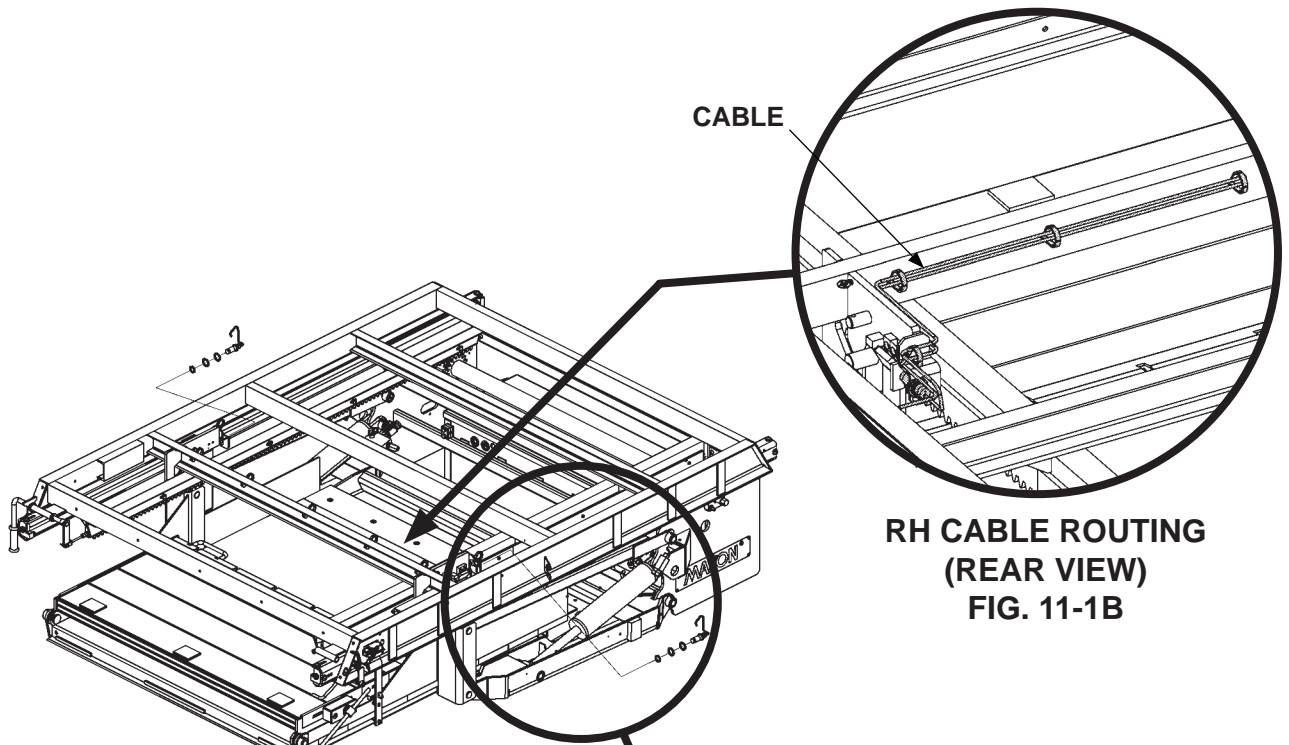
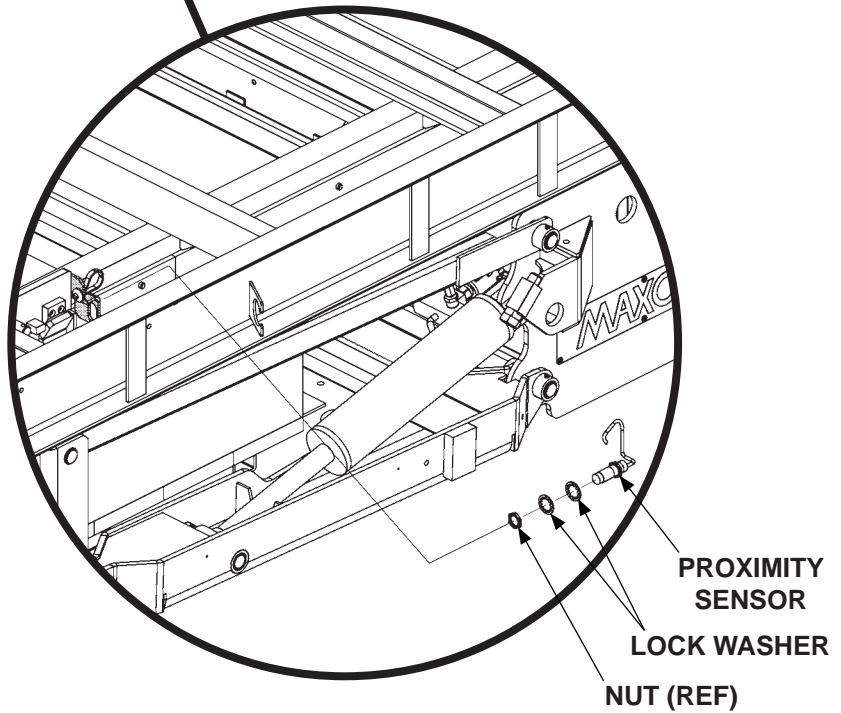


FIG. 11-1

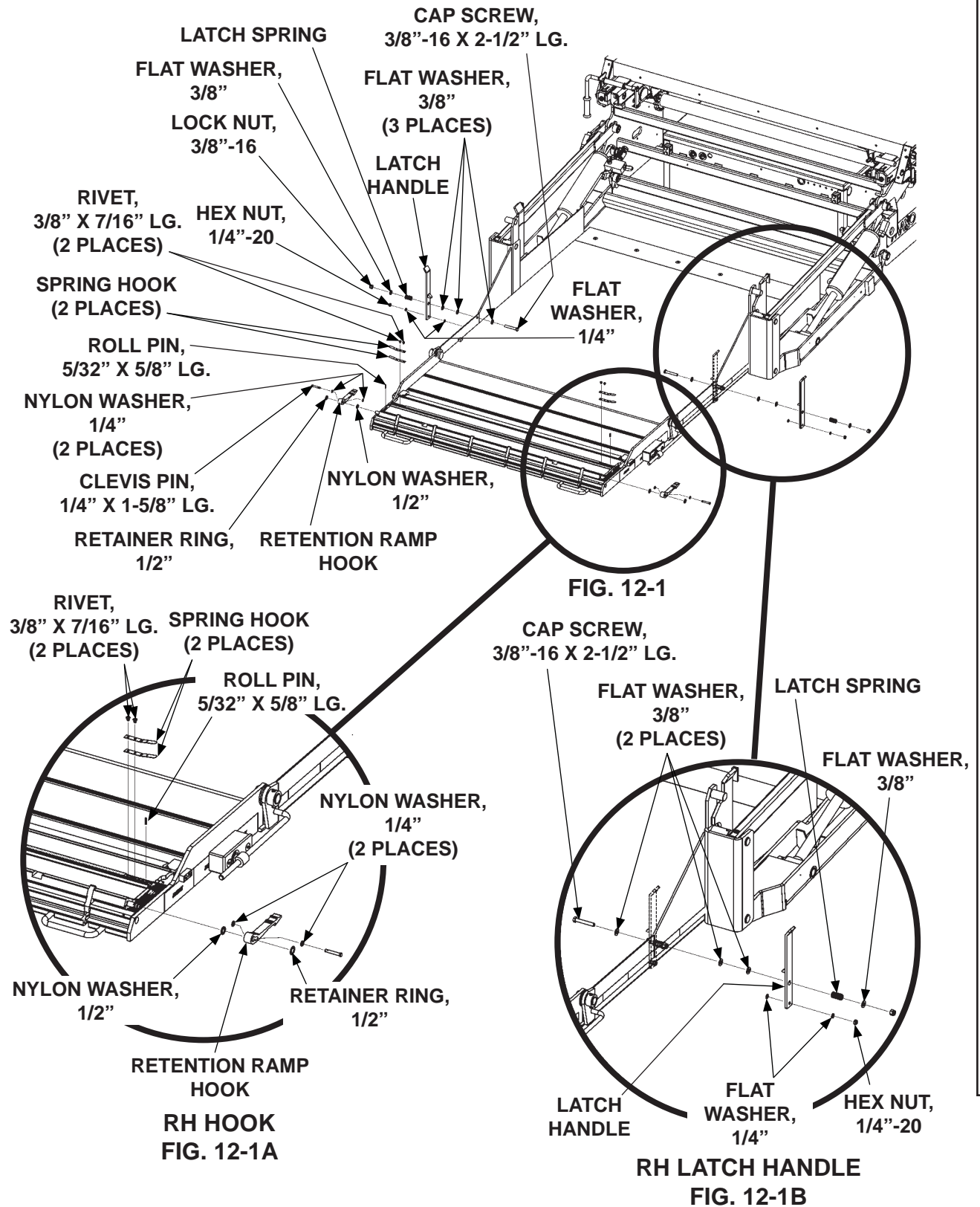
RH CABLE ROUTING
(REAR VIEW)
FIG. 11-1B



RH PROXIMITY SENSOR
FIG. 11-1A

STEP 1 - PREPARE LIFTGATE FOR INSTALLATION - Continued

3. Move latch handle and retention ramp hook to the RH side of Liftgate (FIGS. 12-1, 12-1A and 12-1B).



STEP 2 - WELD LIFTGATE ON TRAILER

⚠ WARNING

Use weld blankets to protect lines and tubes from weld splatter.

⚠ WARNING

Welding on galvanized parts gives off especially hazardous fumes. To minimize hazard remove galvanizing from weld area, provide adequate ventilation, and wear suitable respirator.

⚠ CAUTION

To avoid personal injury, use at least 2 people to position Liftgate.

NOTE: For installation of this Liftgate, the maximum distance from bottom of trailer cross members to top of trailer floor is 10-1/2" max.

NOTE: Liftgate must be welded to at least 6 fixed trailer crossmembers that are typically spaced 12" between centers.

NOTE: Ideal installation is for edge of platform to be aligned with door opening **(FIG. 20-2)**.

NOTE: Switches, stow mechanism, latch release handle and platform latch may be located on either side of the Liftgate during installation, depending on location of trailer door hinges.

STEP 2 - WELD LIFTGATE ON TRAILER - Continued

1. With forklift, position the Liftgate perpendicular to the side of trailer (**FIG 14-1**), with latch release handle opposite of door hinges (**FIGS. 14-2 and 14-2A**).

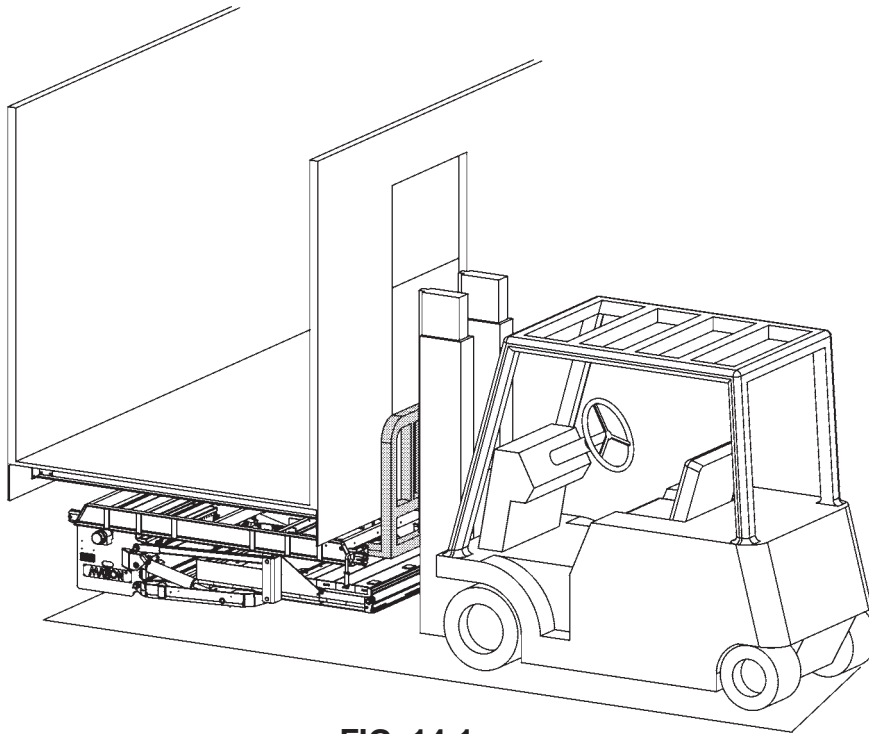


FIG. 14-1

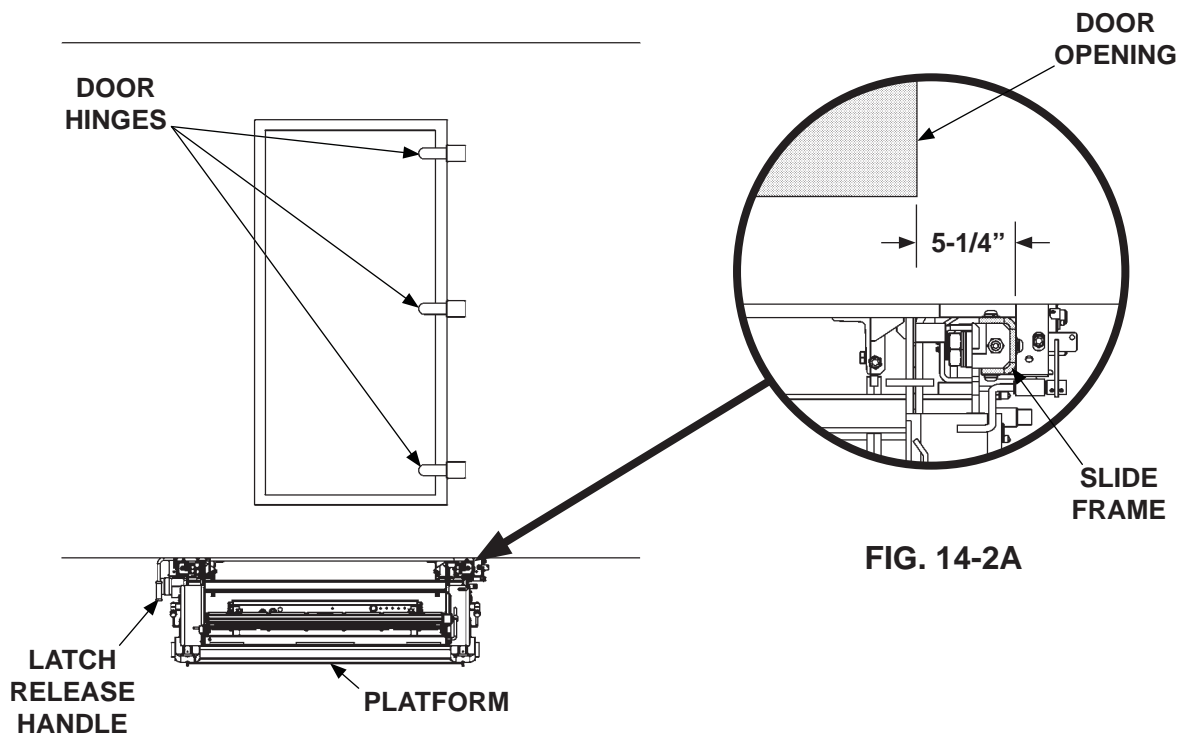
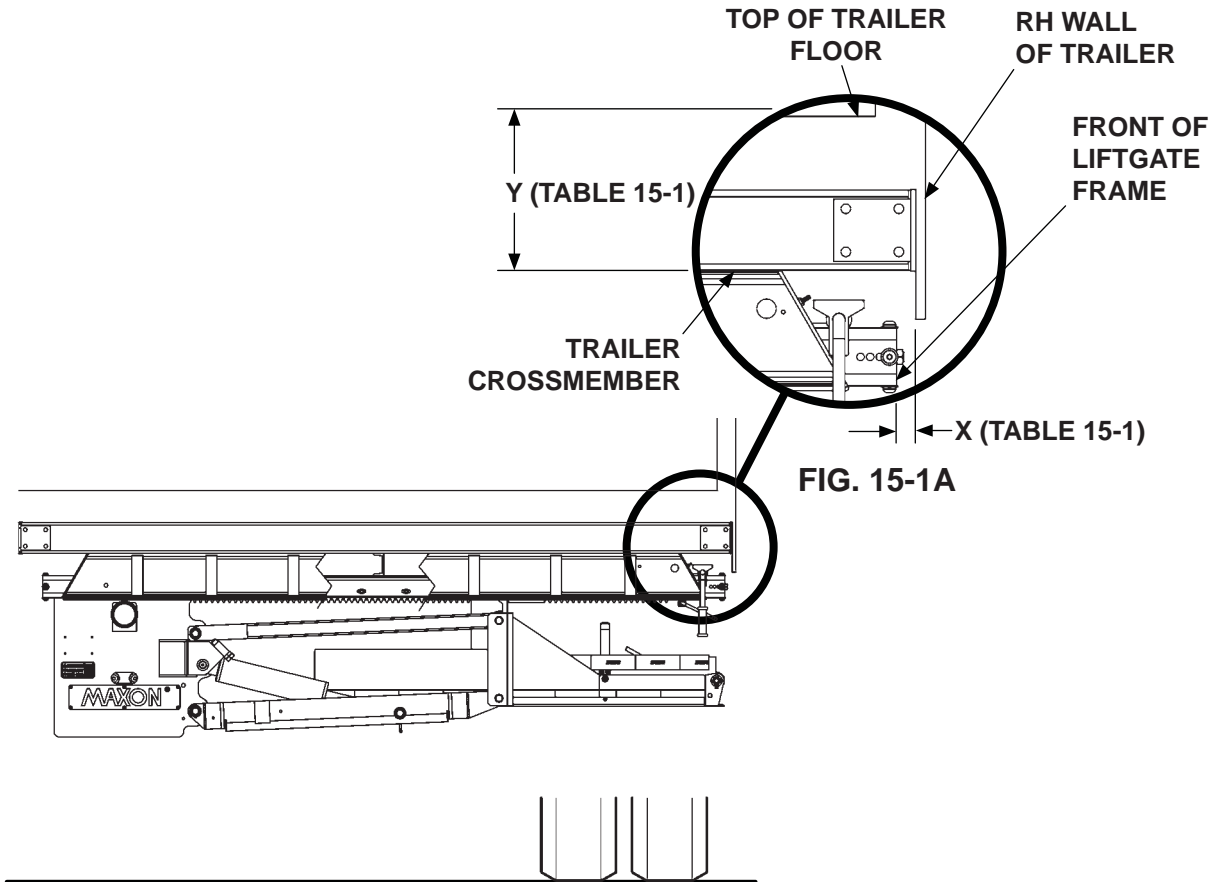


FIG. 14-2A

FIG. 14-2

STEP 2 - WELD LIFTGATE ON TRAILER - Continued

2. Position Liftgate to trailer by butting the slide frame against the bottom of trailer cross members according to the "X" and "Y" dimensions as shown in **FIGS. 15-1, 15-1A** and **TABLE 15-1**.



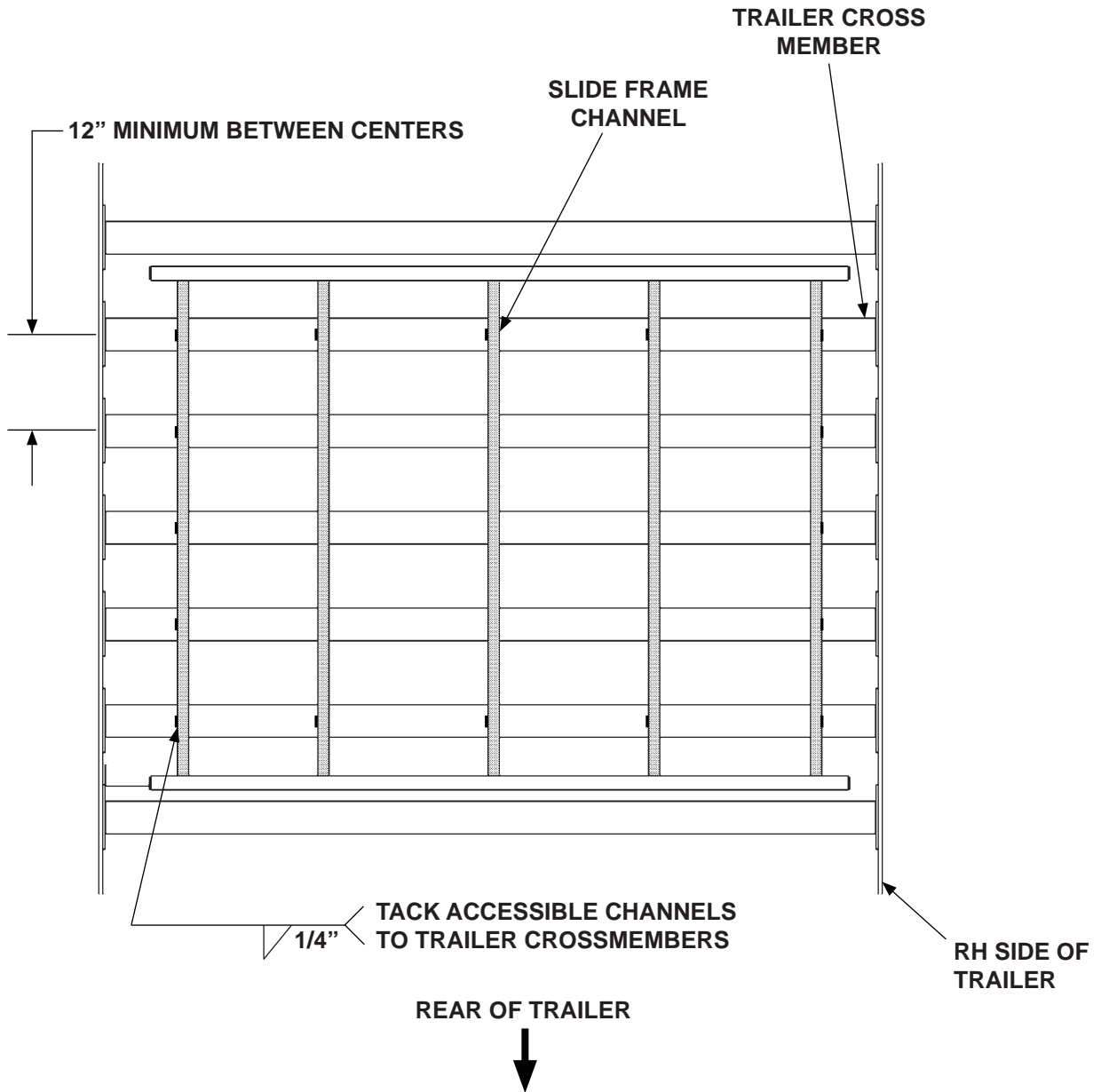
**SIDE VIEW OF LIFTGATE AS SEEN
FROM REAR OF TRAILER
FIG. 15-1**

Y (TOP OF TRAILER FLOOR TO BOTTOM OF CROSSMEMBER)	X (FRONT OF LIFTGATE FRAME TO OUTER TRAILER WALL)
10-5/8"	1"
9-1/2"	
9-1/2"	2"
8-1/2"	
8-1/2"	3"
7-1/2"	
7-1/2"	4"
6"	

TABLE 15-1

STEP 2 - WELD LIFTGATE ON TRAILER - Continued

3. Tack weld Liftgate slide frame to trailer cross members (FIG. 16-1).



BOTTOM VIEW OF TRAILER WITH LIFTGATE SLIDE FRAME CHANNELS POSITIONED ON CROSSMEMBERS (SLIDE ASSEMBLY AND PARTS OF SLIDE FRAME NOT SHOWN)
FIG. 16-1

STEP 3 - LEVELING PLATFORM

NOTE: Make sure Liftgate is tack-welded to trailer before connecting power.

NOTE: If necessary, external 12 VDC power may be used in place of batteries for initial platform leveling adjustments.

1. Connect IN-OUT and UP-DOWN switches to main wiring harness so slide assembly and platform can be repositioned (FIG. 17-1). Then, ensure Liftgate batteries are connected as shown in (FIG 17-2).

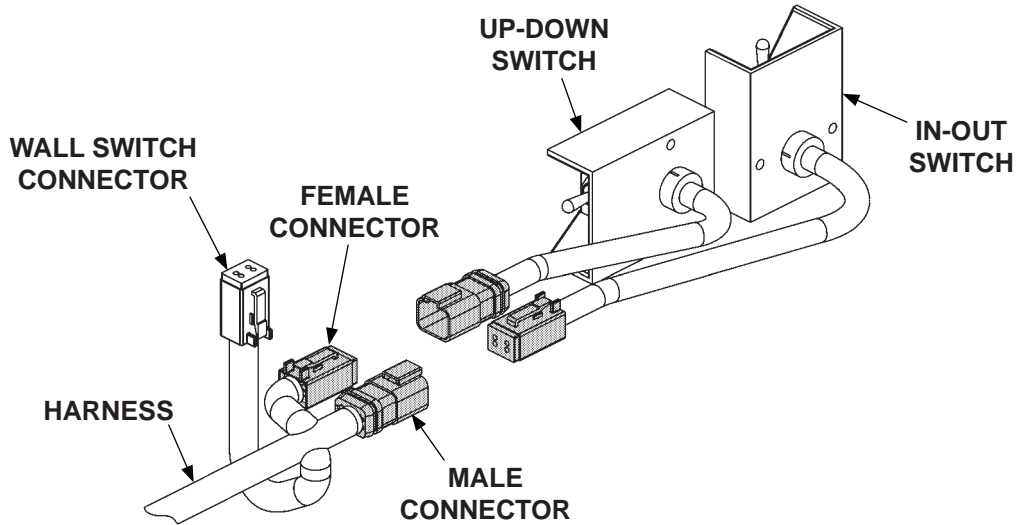


FIG. 17-1

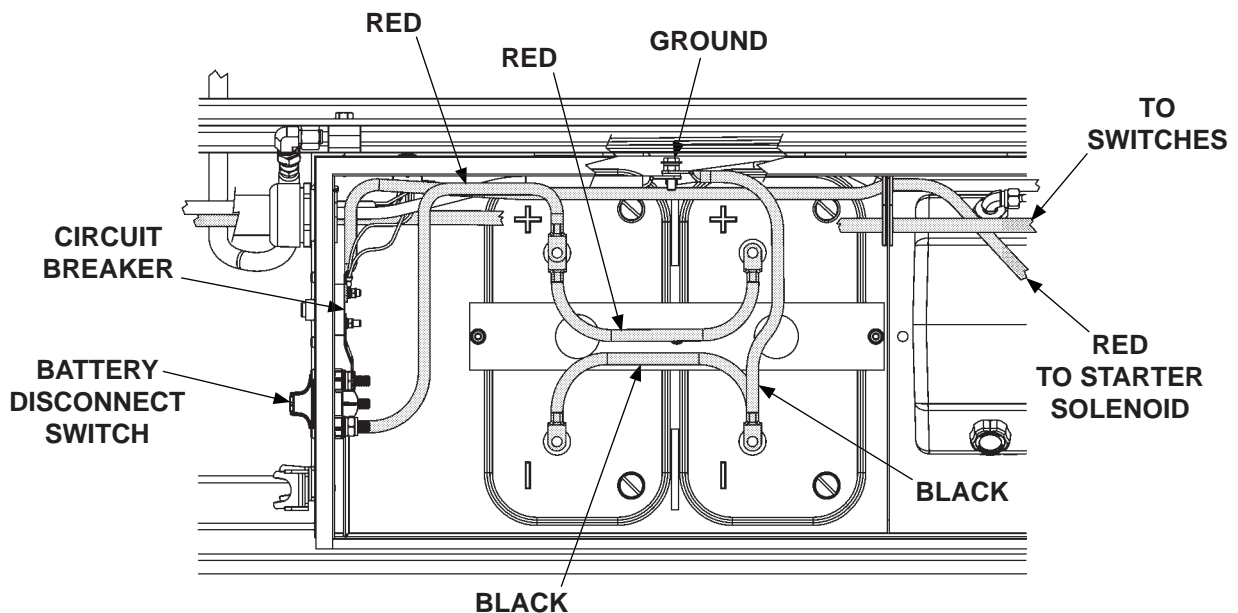


FIG. 17-2

STEP 3 - LEVELING PLATFORM - Continued

CAUTION

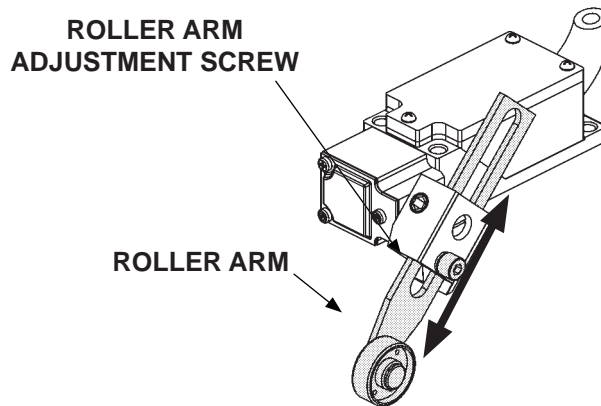
Operate Liftgate with caution and no load until installation is complete.

CAUTION

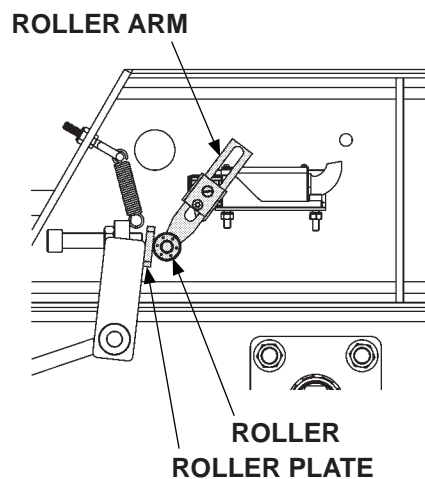
Limit switch is activated when the platform is raised and not fully in the OUT position (**FIG. 18-2**). If the limit switch does not activate, the parallel arms, stow latch mechanism, and trailer can be damaged. To prevent Liftgate and trailer damage, make sure limit switch roller arm is adjusted correctly.

NOTE: Refer to **Operating Instructions** decal and applicable **WARNING & CAUTION** decals.

- To adjust roller arm, loosen roller arm adjustment screw (**FIG. 18-1**). If the roller doesn't connect with the center of the roller plate (**FIG. 18-2**), slide the roller arm out a little to make it longer (**FIG. 18-1**). If the roller extends past the roller plate (**FIG. 18-2**), slide the roller arm in a little to make it shorter (**FIG. 18-1**). Tighten roller arm adjustment screw (**FIG. 18-1**).



ADJUSTING ROLLER ARM
FIG. 18-1

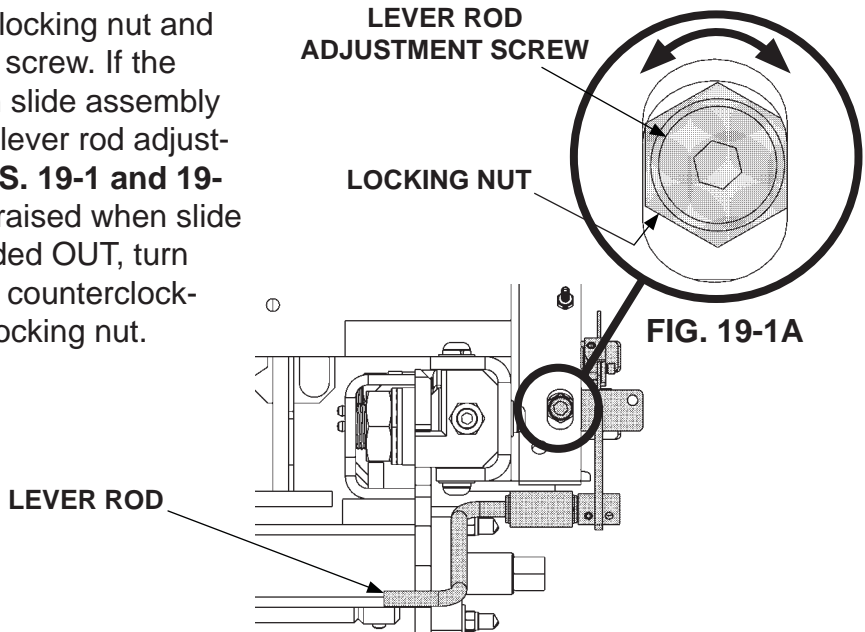


CORRECT POSITION OF ROLLER
FIG. 18-2

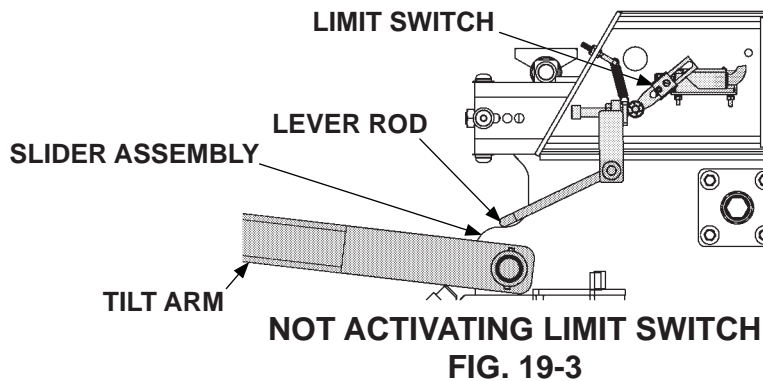
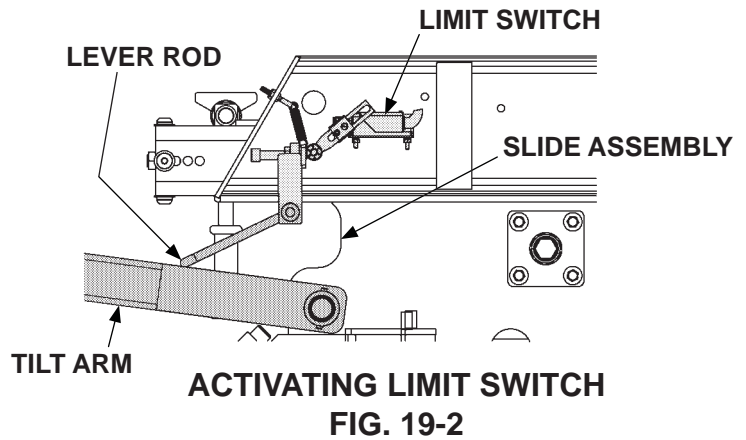
STEP 3 - LEVELING PLATFORM - Continued

NOTE: Lever rod is adjusted correctly when the limit switch is activated if the slider is not fully in the OUT position and the platform is raised (**FIG. 19-2**). The limit switch will not activate when the slider is in the OUT position and the platform is raised (**FIG. 19-3**).

- To adjust lever rod, loosen locking nut and rotate lever rod adjustment screw. If the platform will not raise when slide assembly is fully extended OUT, turn lever rod adjustment screw clockwise (**FIGS. 19-1 and 19-1A**). If the platform can be raised when slide assembly is not fully extended OUT, turn lever rod adjustment screw counterclockwise (**FIG. 19-1**). Tighten locking nut.



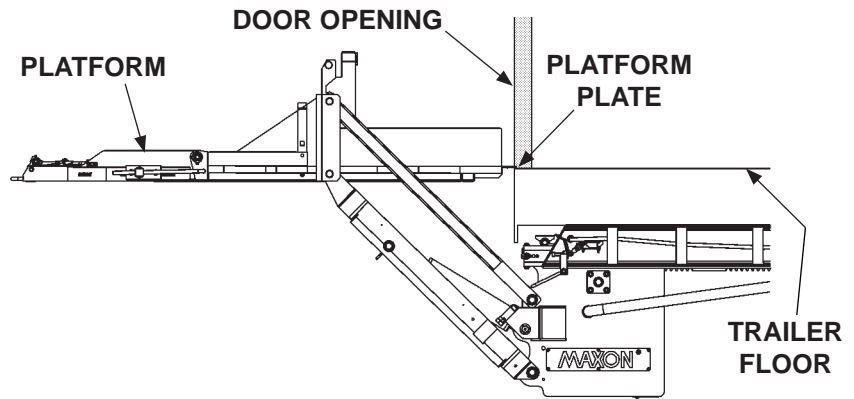
ROTATING LEVER ROD ADJUSTMENT SCREW
FIG. 19-1



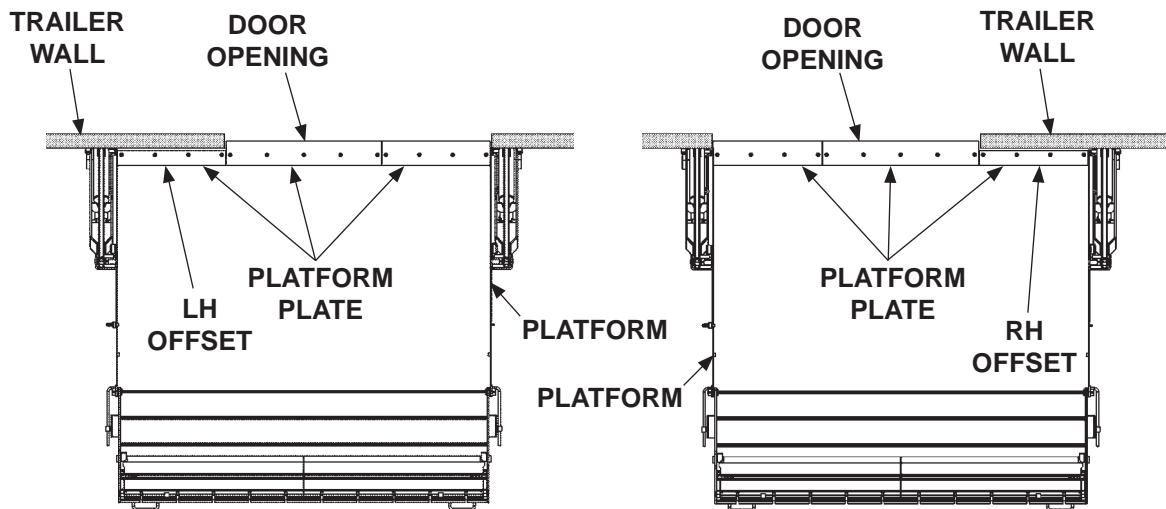
STEP 3 - LEVELING PLATFORM - Continued

NOTE: Platform plates can be unbolted to move and trim as needed to clear the door opening for right or left offset installations. After trimming platform plates, all raw edges should be touched up with galvanize zinc paint.

4. Run slide assembly out and unfold the flipover. Then, raise platform to floor level making sure not to hit trailer wall (**FIG. 20-1**). If necessary, relocate and/or trim platform plate so it clears door opening (**FIG. 20-2**).



PLATFORM RAISED TO FLOOR
FIG. 20-1

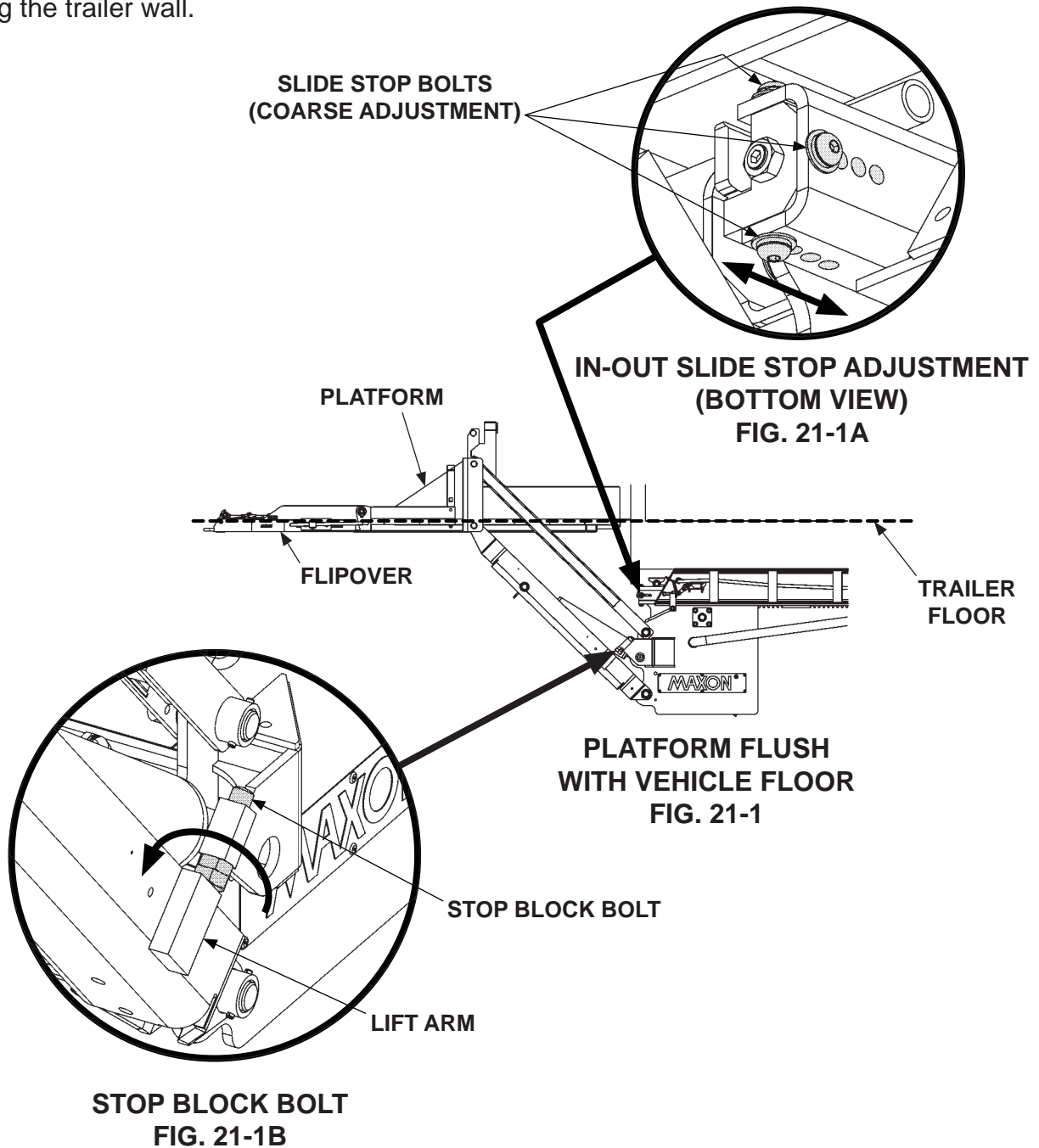


LH & RH PLATFORM OFFSET INSTALLATIONS
(SINGLE PLATFORM PLATE NOT SHOWN)
FIG. 20-2

STEP 3 - LEVELING PLATFORM - Continued

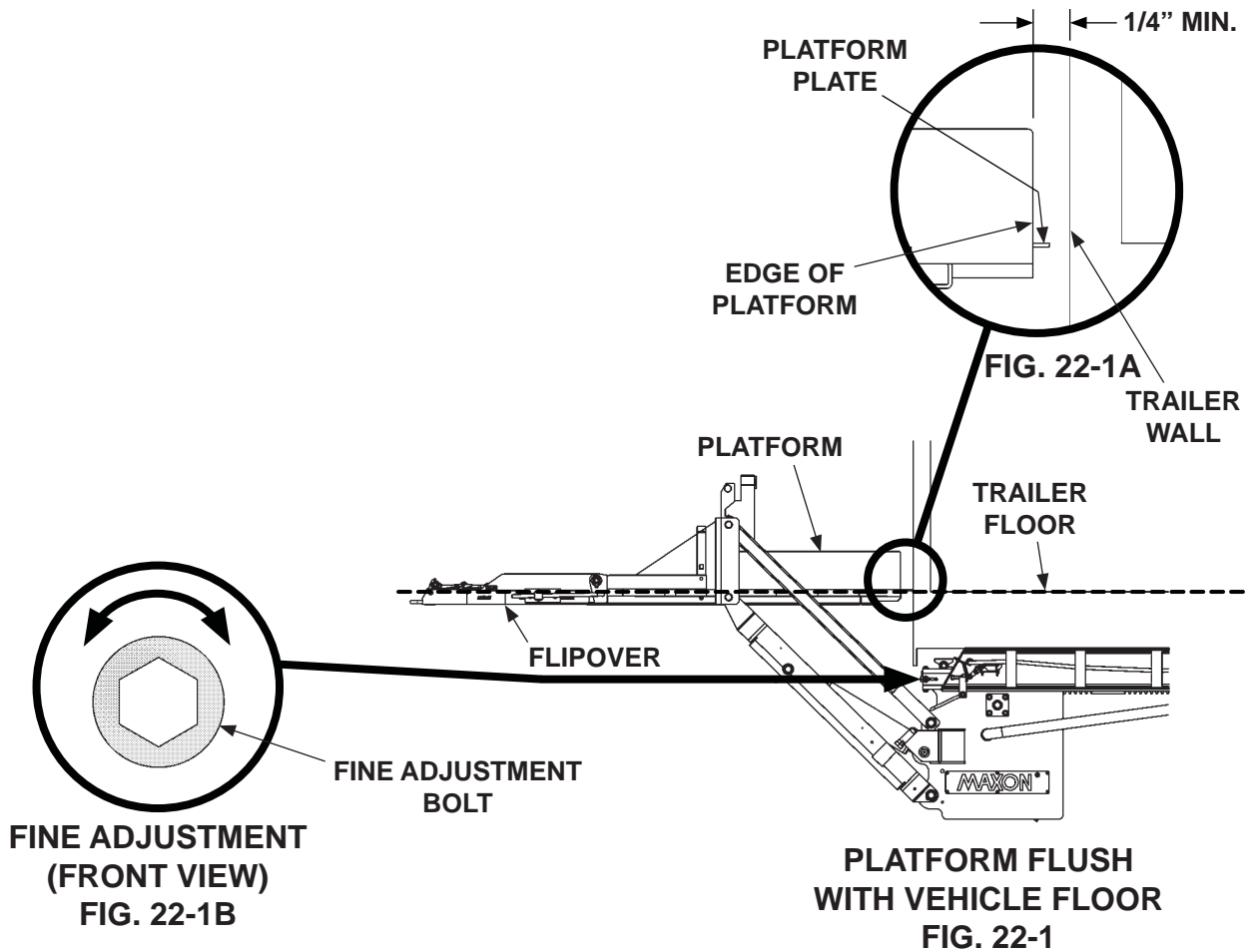
NOTE: The slide stop bolts move the platform 1/2" per each hole. The fine adjustment moves the platform 3/8".

5. If needed, move slide stop bolts to level platform with trailer floor as shown in **FIGS. 21-1** and **21-1A**. Bolting the stop closer to the trailer wall will stop slider closer to trailer wall and allow the platform to be raised higher. Bolting the stops farther away from trailer wall will stop slider farther from the trailer wall and decrease the height platform can be raised.
6. With platform at floor level, turn stop block bolts **COUNTERCLOCKWISE** until butted against each lift arm as shown in **FIG. 21-1B**. This will prevent the platform from hitting the trailer wall.



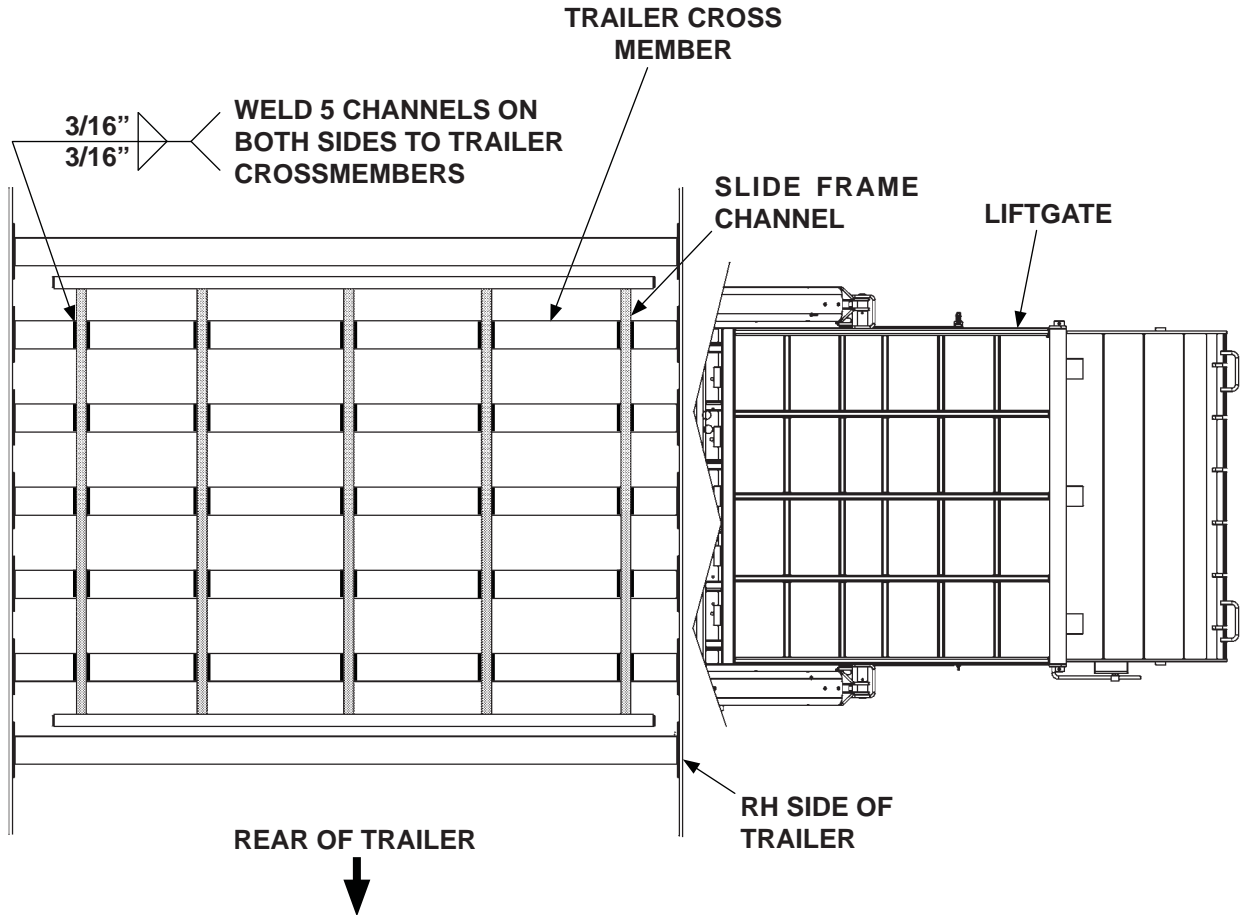
STEP 3 - LEVELING PLATFORM - Continued

7. Check for 1/4" minimum clearance between heel of platform and wall of trailer (**FIG. 22-1A**), and ensure the platform plate overlaps the trailer door opening (**FIGS. 22-1 and 22-1A**). If necessary, turn fine adjustment bolt to get the minimum 1/4" distance (**FIGS. 22-1A and 22-1B**). Turning the bolt **COUNTERCLOCKWISE** will increase the distance, turning the bolt **CLOCKWISE** will decrease the distance.



STEP 4 - FINISH WELDING LIFTGATE

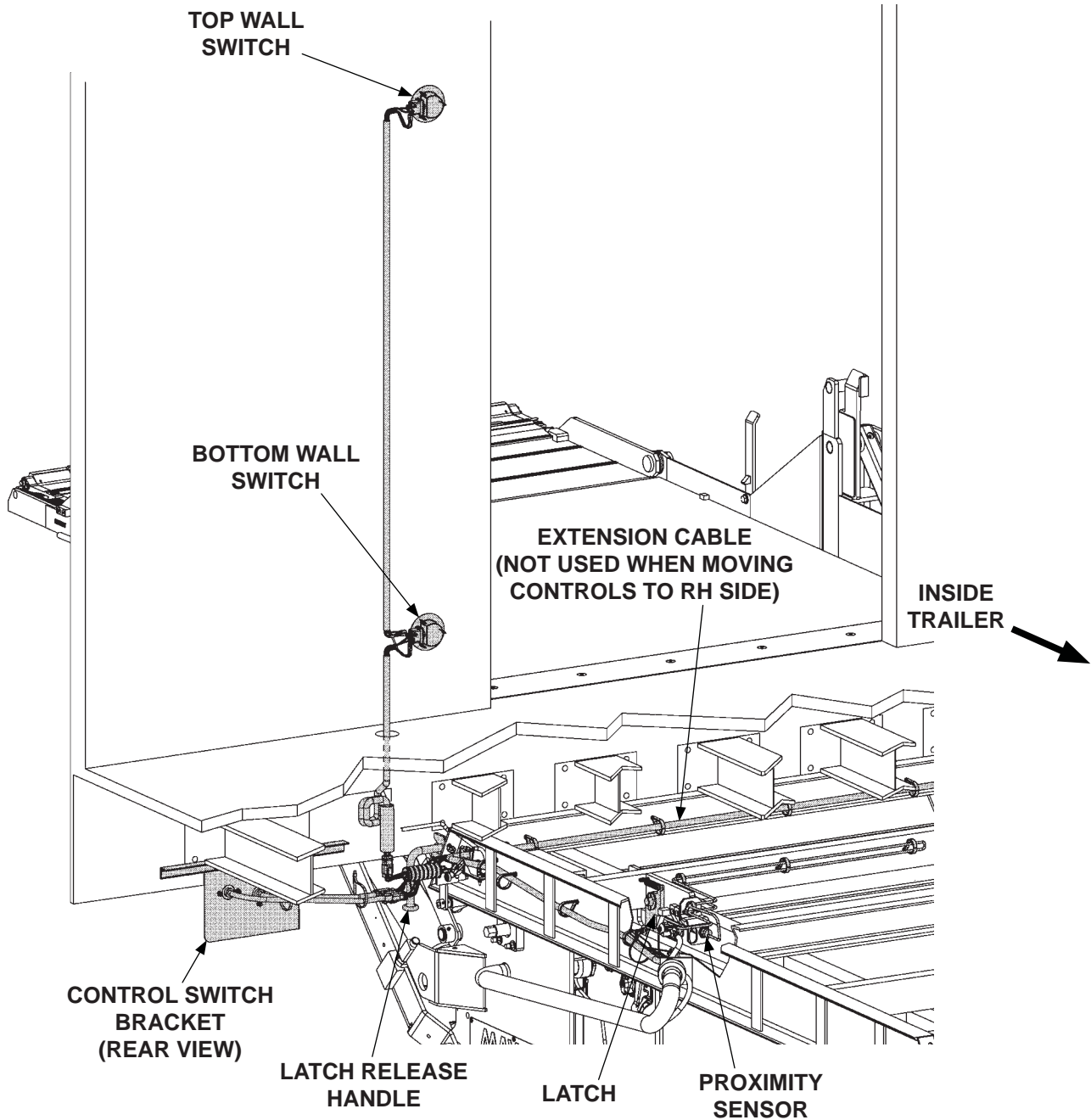
Weld slide frame to trailer crossmembers as shown in **FIGS. 23-1**.



BOTTOM VIEW OF TRAILER WITH LIFTGATE SLIDE FRAME CHANNELS POSITIONED ON CROSSMEMBERS (SLIDE ASSY AND PARTS OF SLIDE FRAME NOT SHOWN) FIG. 23-1

STEP 5 - ATTACH CONTROL SWITCHES TO TRAILER

NOTE: Wall switches, control switches, latch release handle, latch and proximity sensor may be located on either side of the Liftgate during installation, depending on location of trailer door hinges. Components are located on LH side of Liftgate when shipped, to reposition to the RH side of side door, see FIG. 24-1.



**COMPONENTS REPOSITIONED TO RH SIDE OF DOOR
FIG. 24-1**

STEP 5 - ATTACH CONTROL SWITCHES TO TRAILER - Continued

1. Disconnect battery power from Liftgate.
2. Unbolt **IN-OUT** switch and **UP-DOWN** switch from bracket as shown in **FIG. 25-1**.

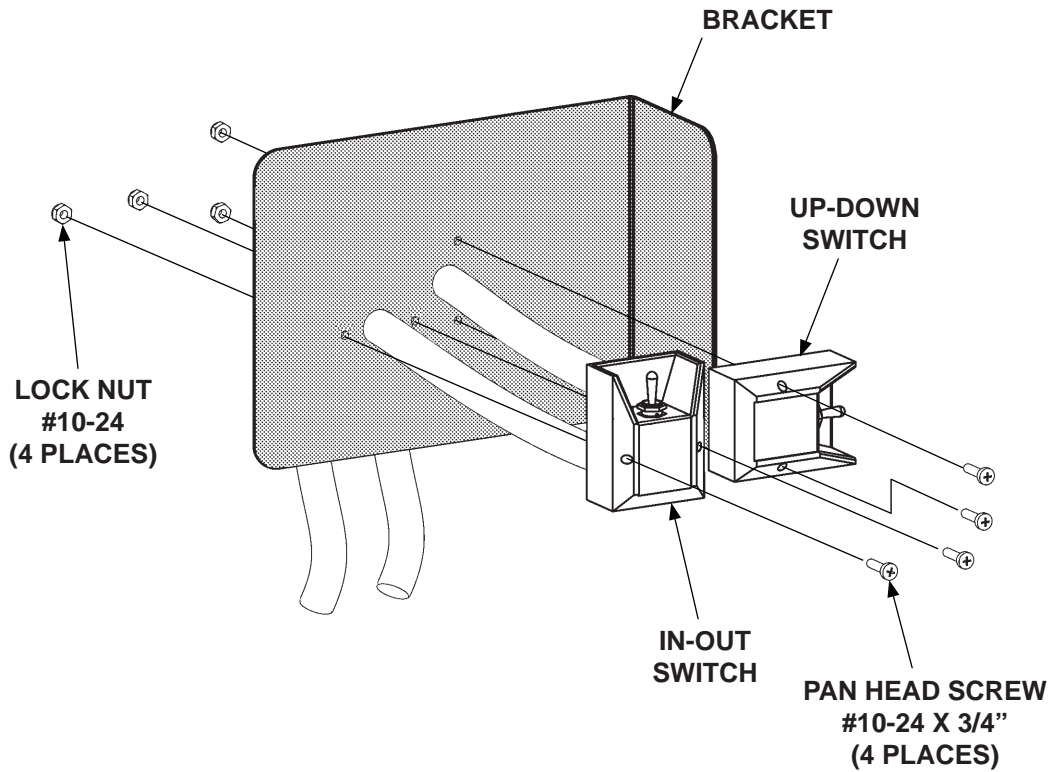


FIG. 25-1

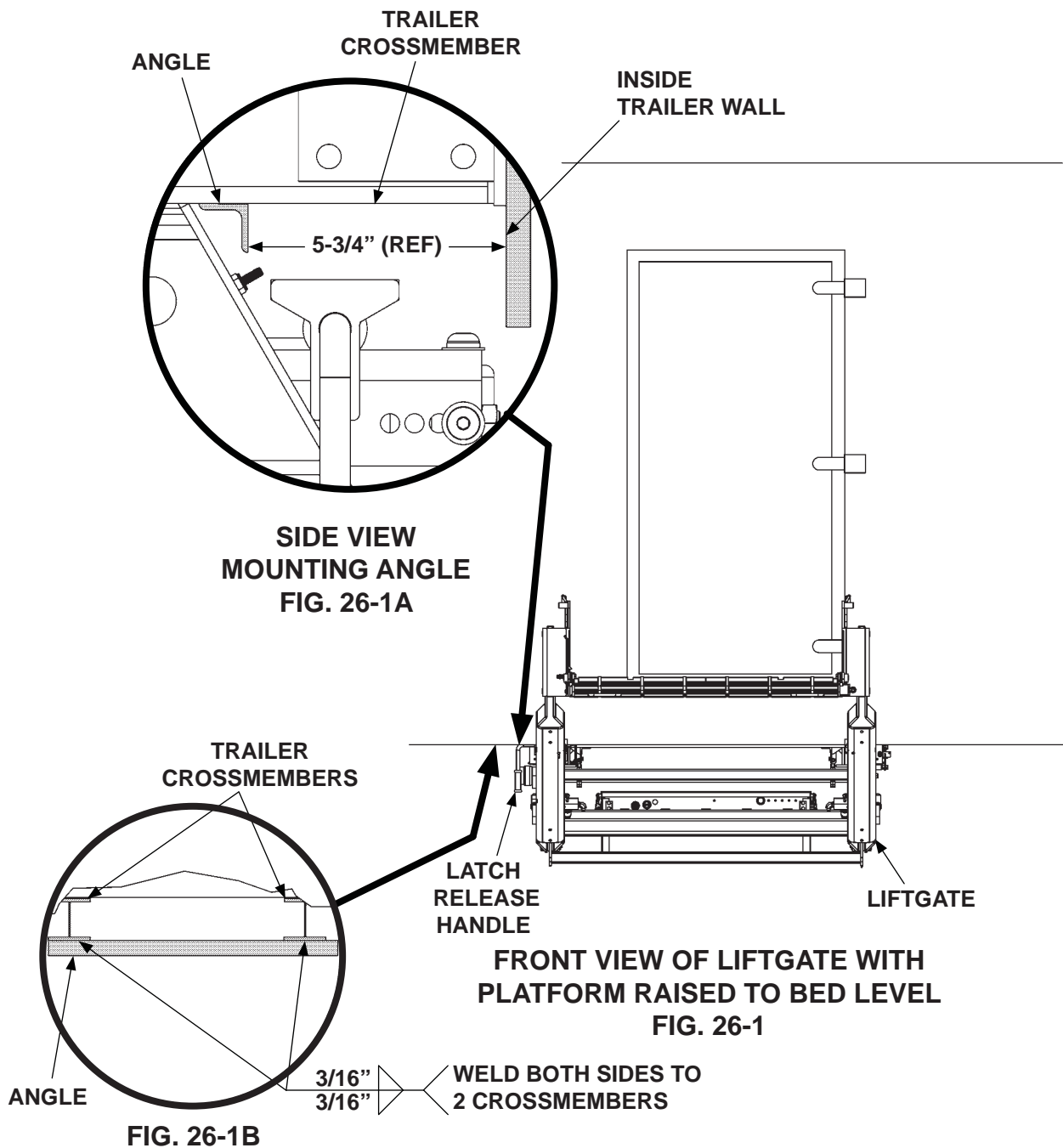
STEP 5 - ATTACH CONTROL SWITCHES TO TRAILER - Continued

CAUTION

Prevent damage to switches and harness by using a protective cover such as a welding blanket to cover switches and harness.

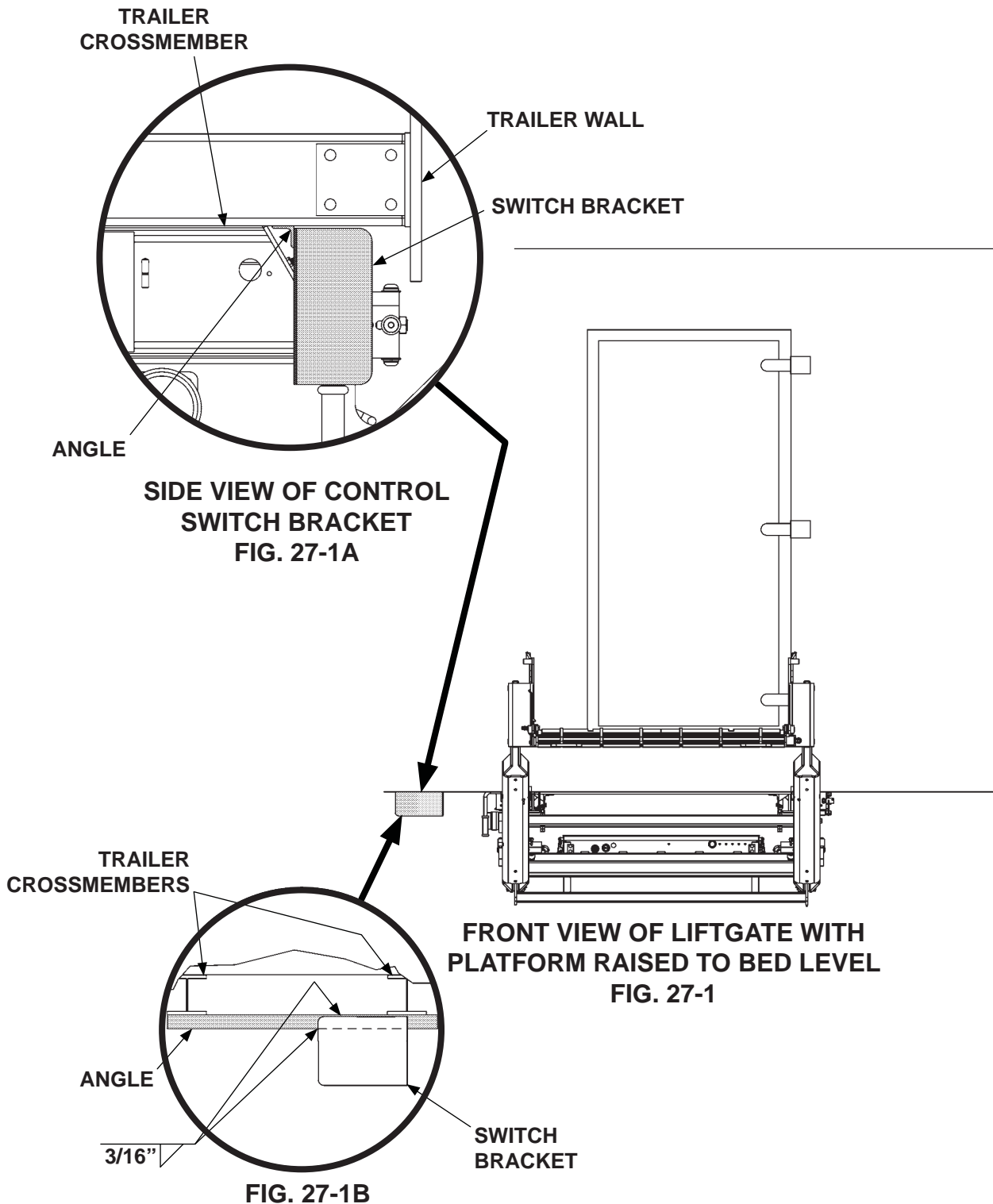
NOTE: Angle must be welded on 2 cross members.

3. Position angle on nearest crossmembers by latch release handle (FIGS. 26-1, 26-1A and 26-1B). Then, weld angle to the 2 crossmembers (FIG. 26-1B).



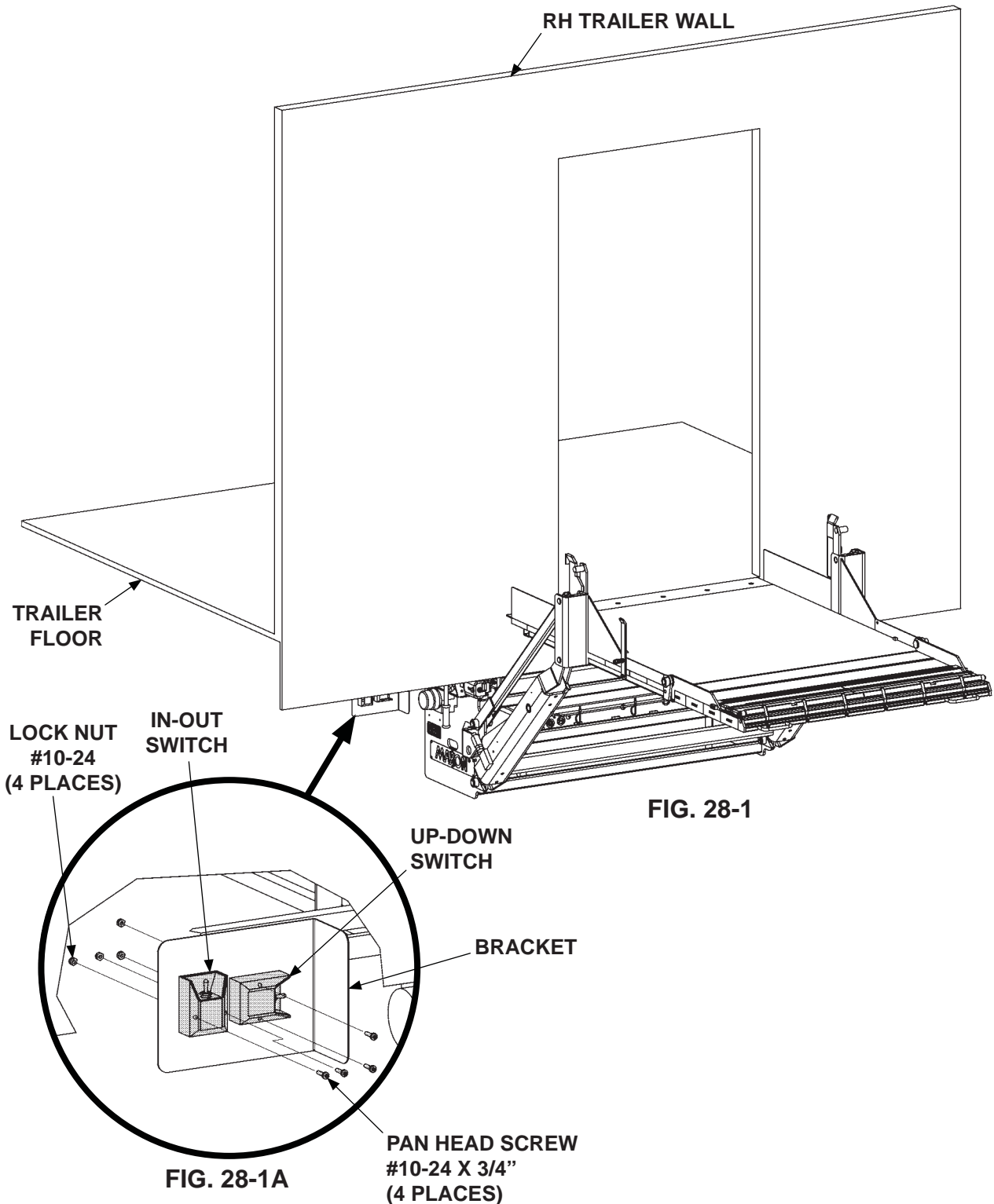
STEP 5 - ATTACH CONTROL SWITCHES TO TRAILER - Continued

4. Position control switch bracket on angle as shown in **FIGS. 27-1** and **27-1A**. Ensure angle and bracket position will not put strain on the control switch cables. Then, weld switch bracket to angle as shown in **FIG. 27-1B**.



STEP 5 - ATTACH CONTROL SWITCHES TO TRAILER - Continued

5. Bolt IN-OUT and UP-DOWN control switches to bracket as shown in FIGS. 28-1 and 28-1A.



STEP 5 - ATTACH CONTROL SWITCHES TO TRAILER - Continued

6. Route and connect electrical harness to bracket-mounted switches and wall-mounted switches as shown in **FIGS. 29-1, 29-2, and 29-2A.**

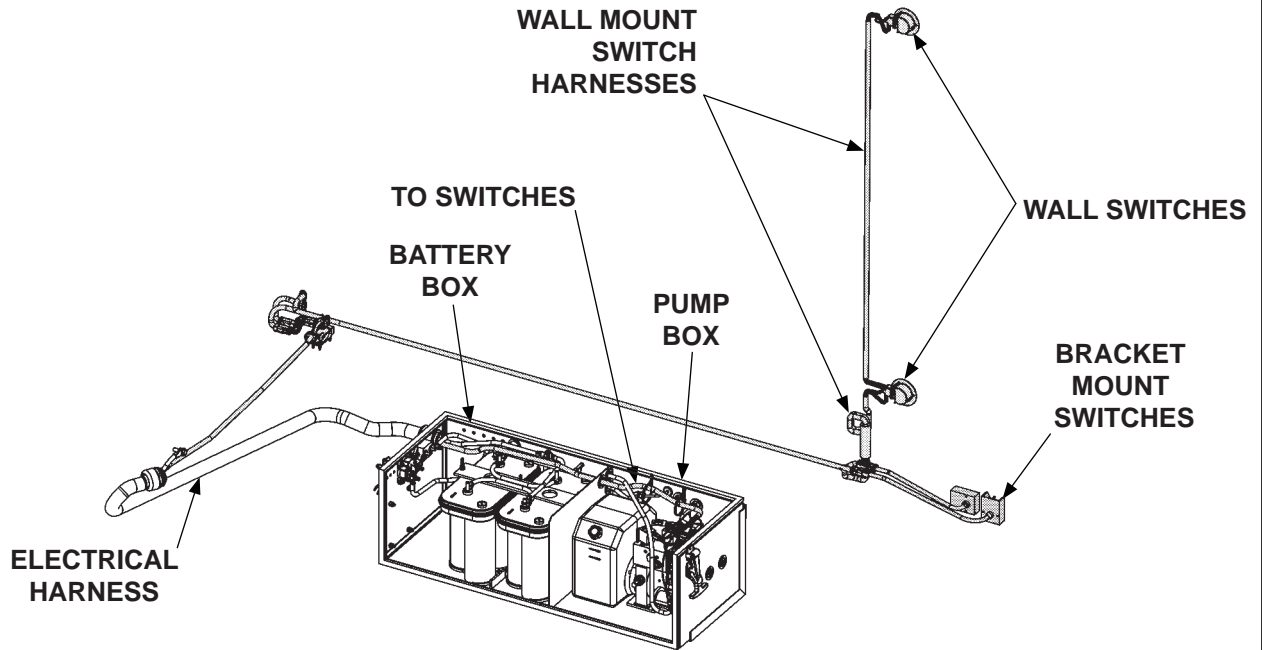
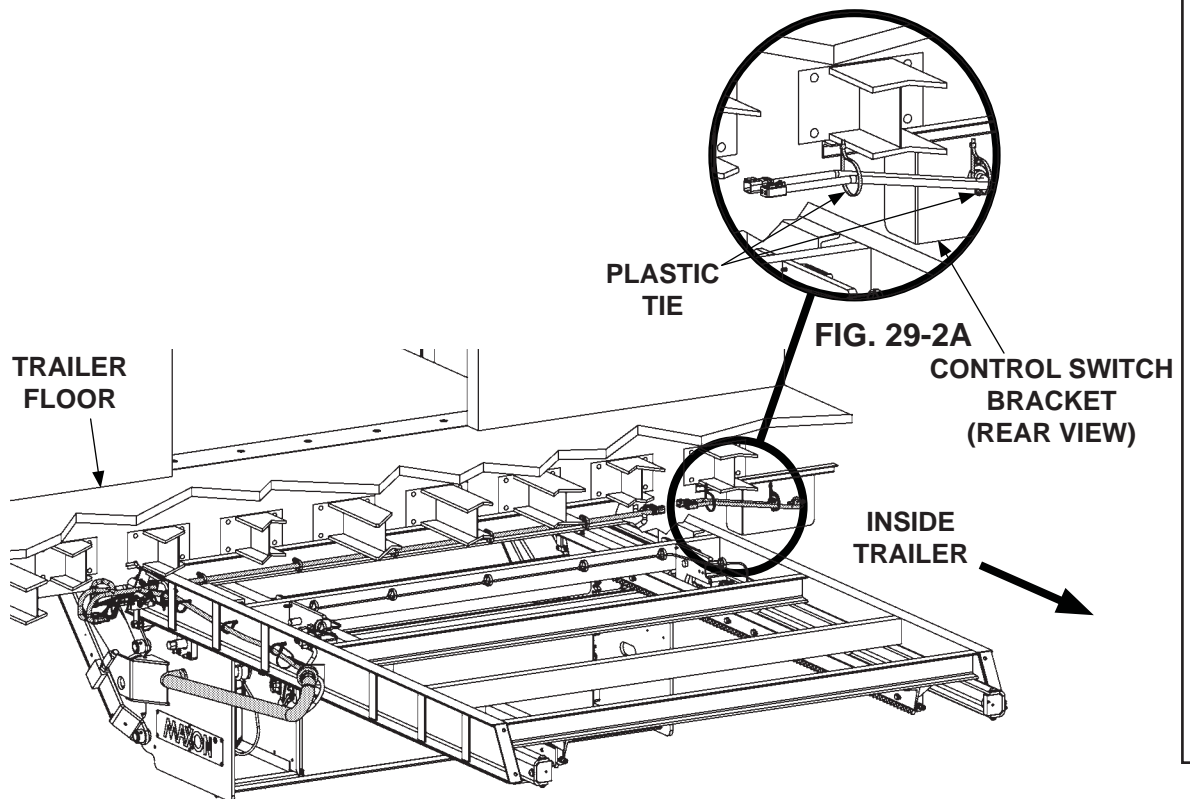


FIG. 29-1



**ELECTRICAL HARNESS ROUTED UNDER TRAILER FLOOR
FIG. 29-2**

STEP 5 - ATTACH CONTROL SWITCHES TO TRAILER - Continued

7. Reconnect **IN-OUT** and **UP-DOWN** switches to electrical harness as shown in **FIG. 30-1** and **30-1A**.

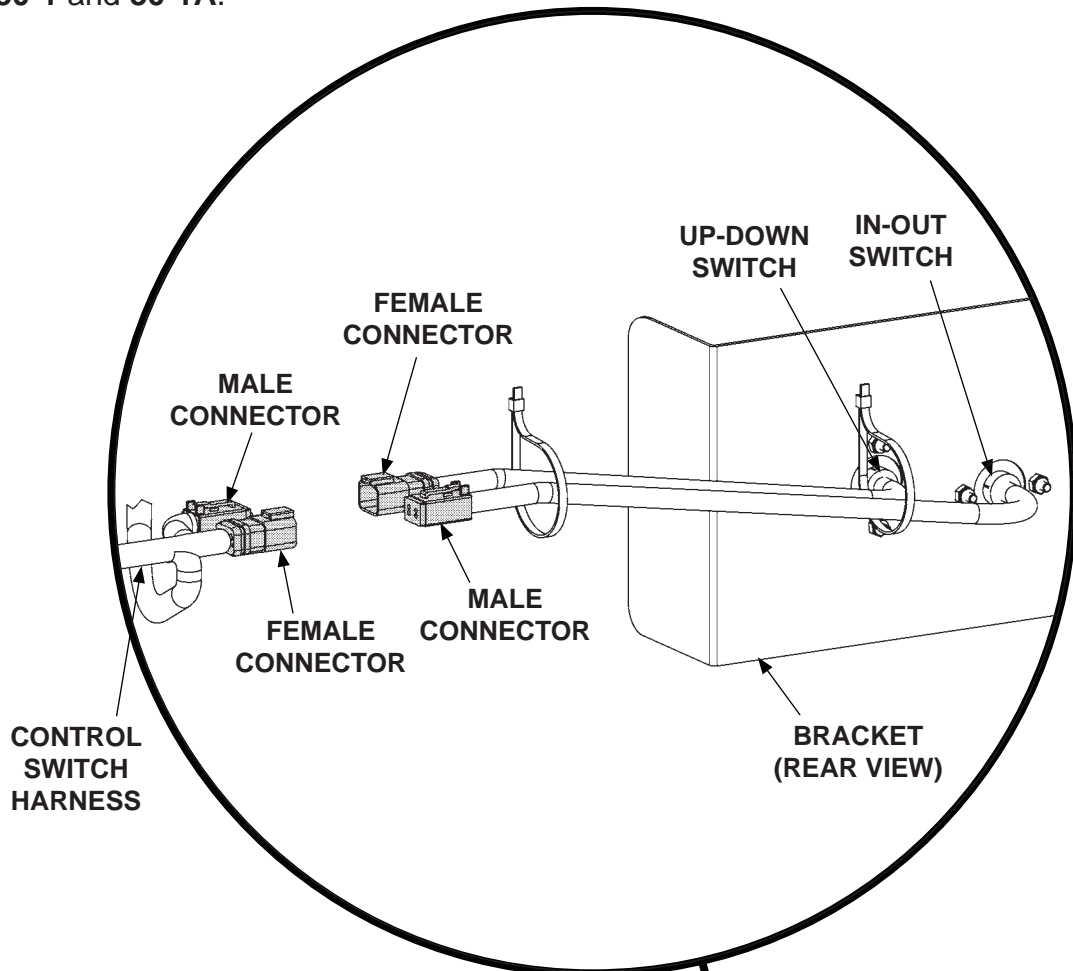
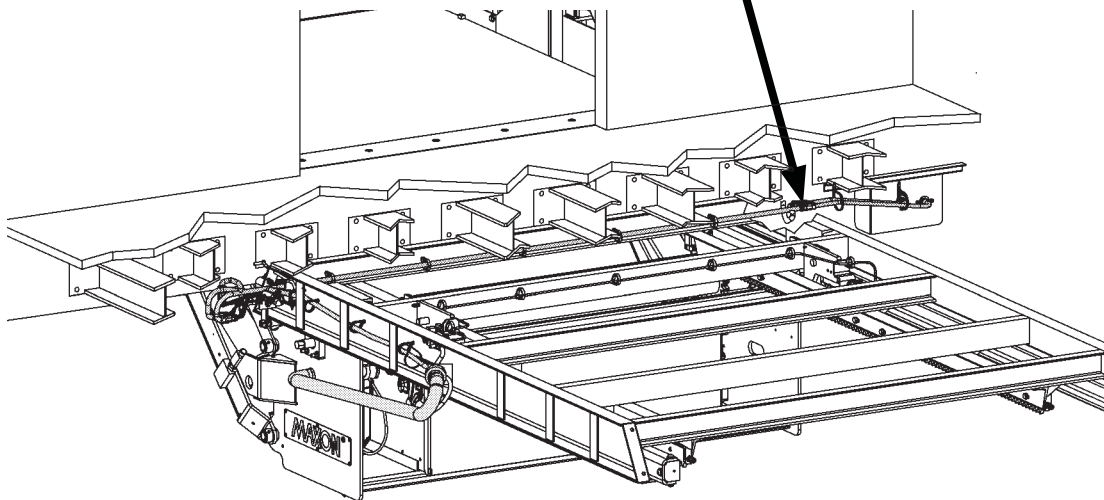


FIG. 30-1A

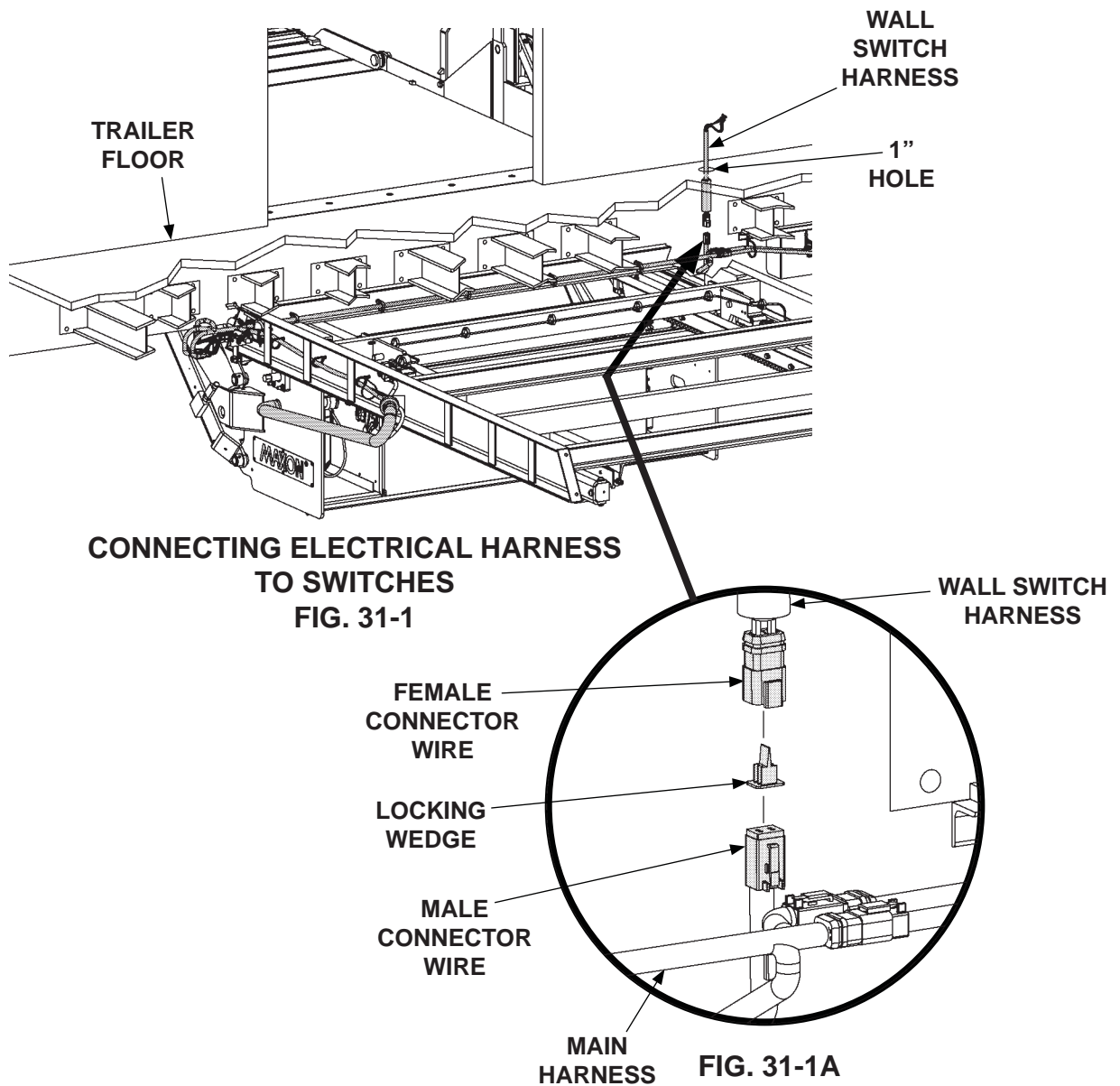


**CONNECTING ELECTRICAL HARNESS TO SWITCHES
FIG. 30-1**

STEP 5 - ATTACH CONTROL SWITCHES TO TRAILER - Continued

NOTE: Unused terminals must be wrapped and sealed with shrink wrap, and exposed wires must be covered with loom included with the Liftgate.

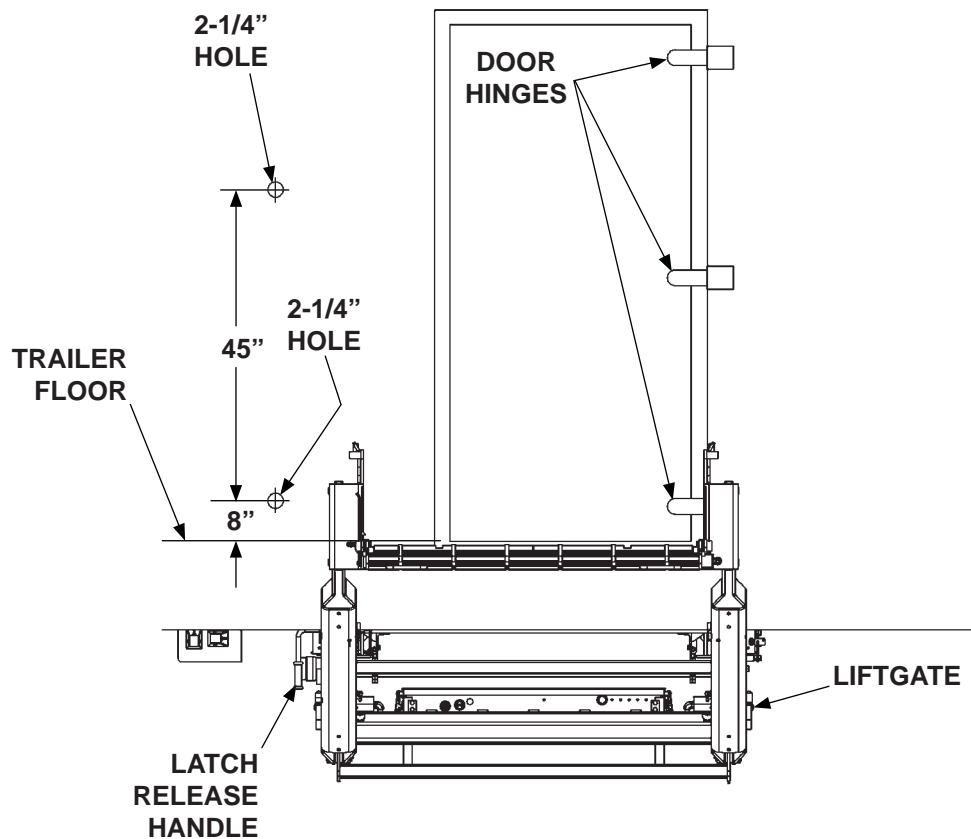
8. Mark and drill 1" hole through vehicle floor as shown in **FIG. 31-1**.
9. Route wall switch harness through hole as shown in **FIG. 31-1**.
10. Connect switch harness to the main harness as shown in **FIG. 31-1A**.



STEP 5 - ATTACH CONTROL SWITCHES TO TRAILER - Continued

NOTE: Mount control switches on outside wall opposite hinges and on same side as latch release handle.

11. Measure, mark, and drill 2-1/4" hole, in 2 places, on the trailer side wall as shown in FIG. 32-1.



**MEASURING AND MARKING HOLES
FOR WALL-MOUNTED SWITCHES
FIG. 32-1**

STEP 5 - ATTACH CONTROL SWITCHES TO TRAILER - Continued

12. Fasten wall switches to trailer wall with self drilling screws as shown in **FIG. 33-1** and **33-1A**.

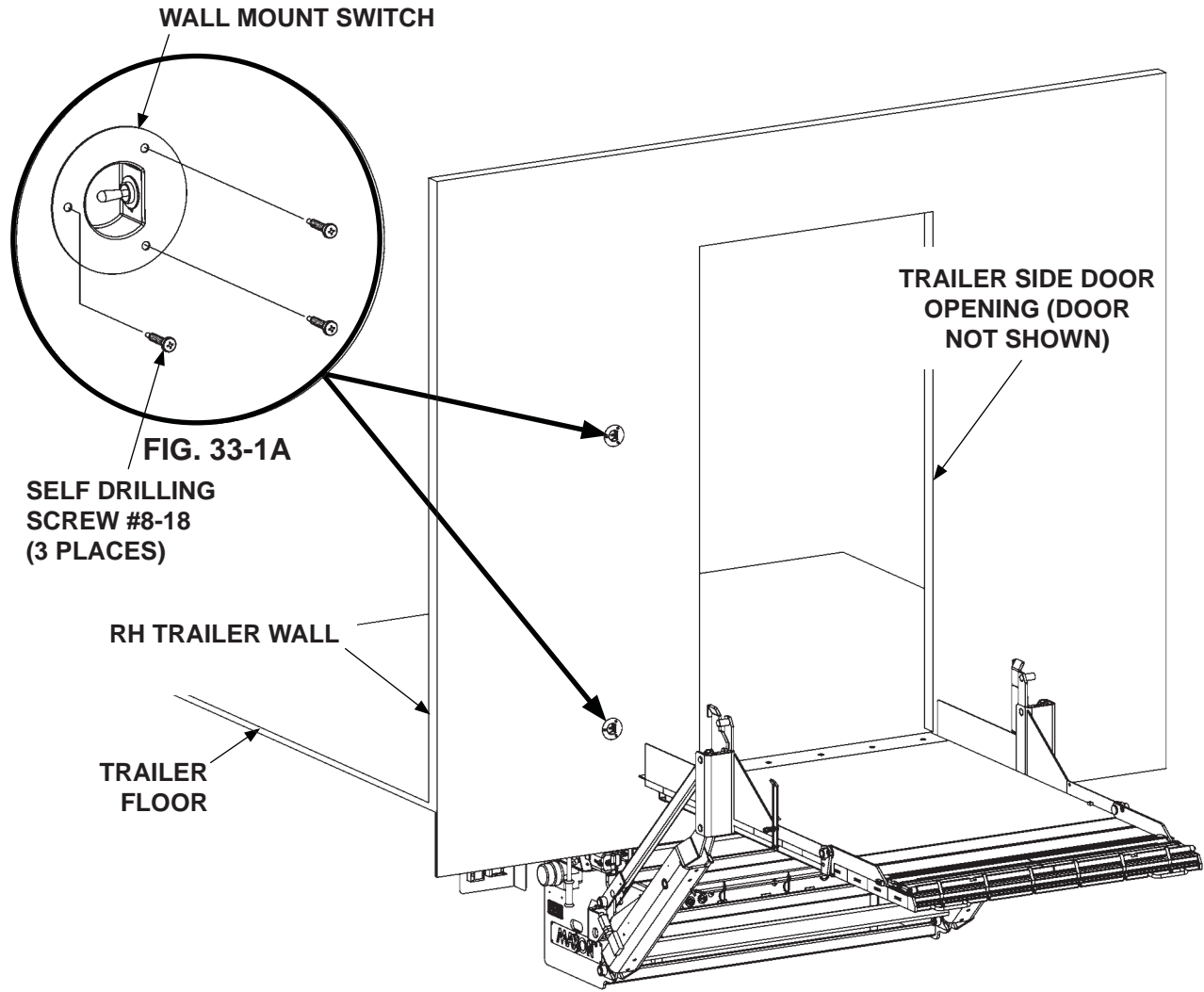


FIG. 33-1

STEP 5 - ATTACH CONTROL SWITCHES TO TRAILER - Continued

NOTE: After assembly, MAXON recommends to seal all connections with NCP-2 corrosion preventive sealer from NOCO or equivalent.

13. Splice top wall switch harness to bottom wall switch harness as shown in **FIGS. 34-1** and **34-1A**.

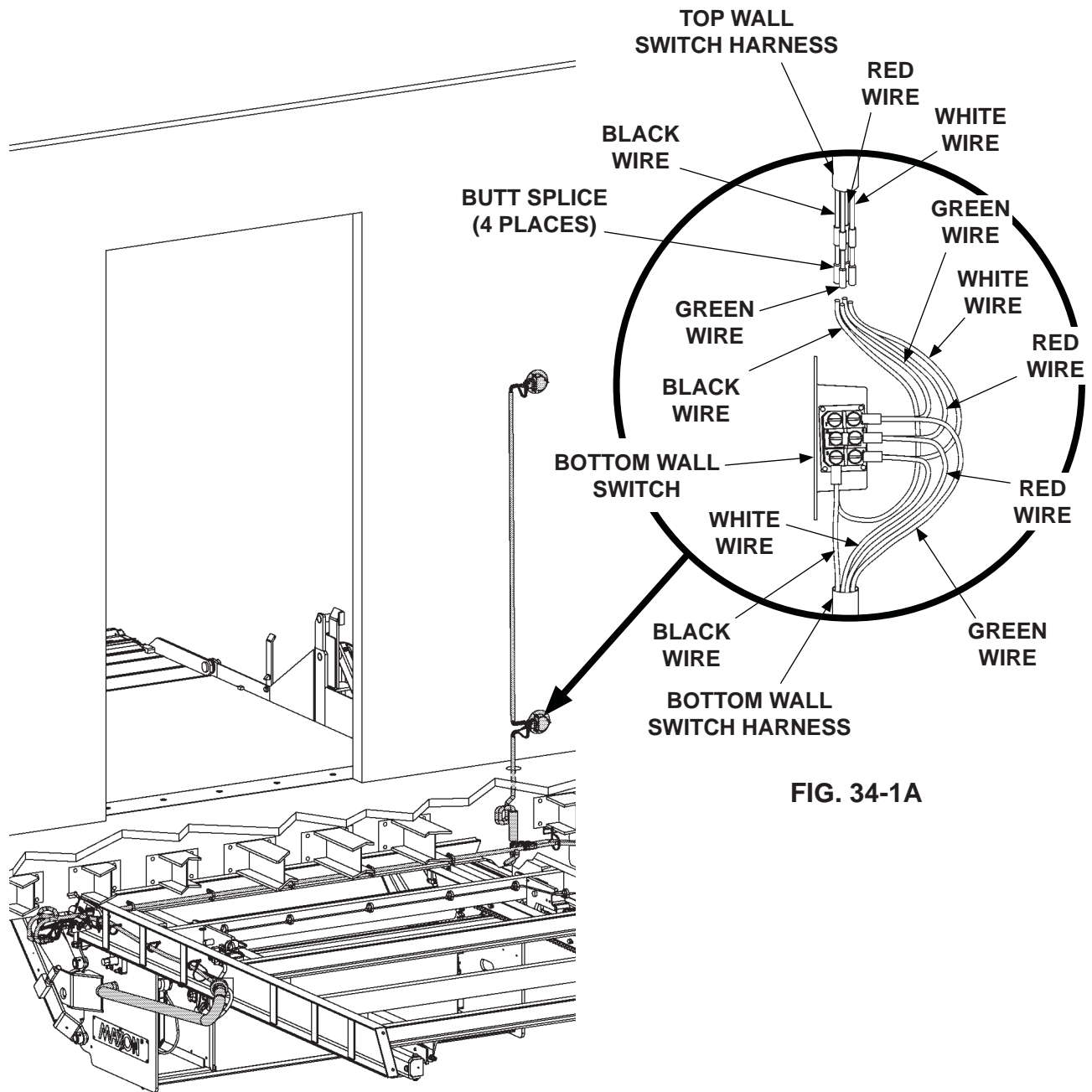


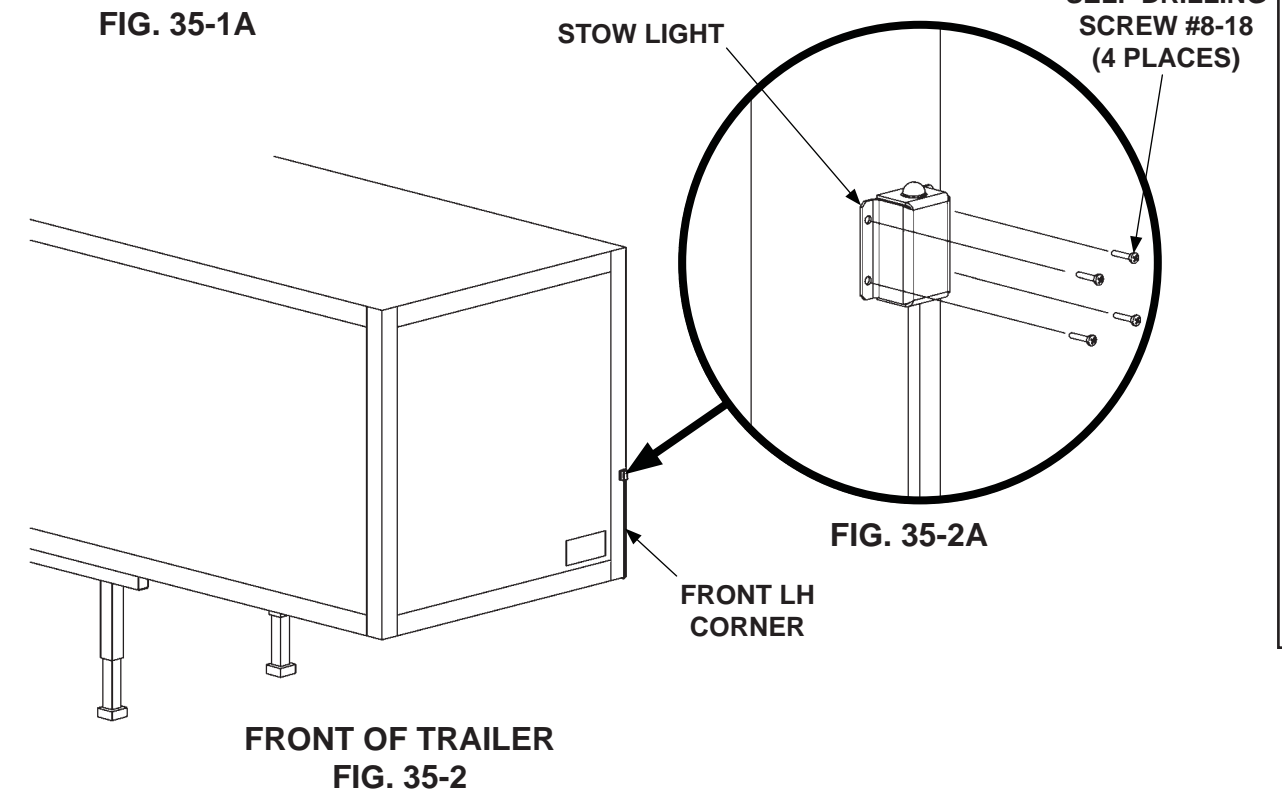
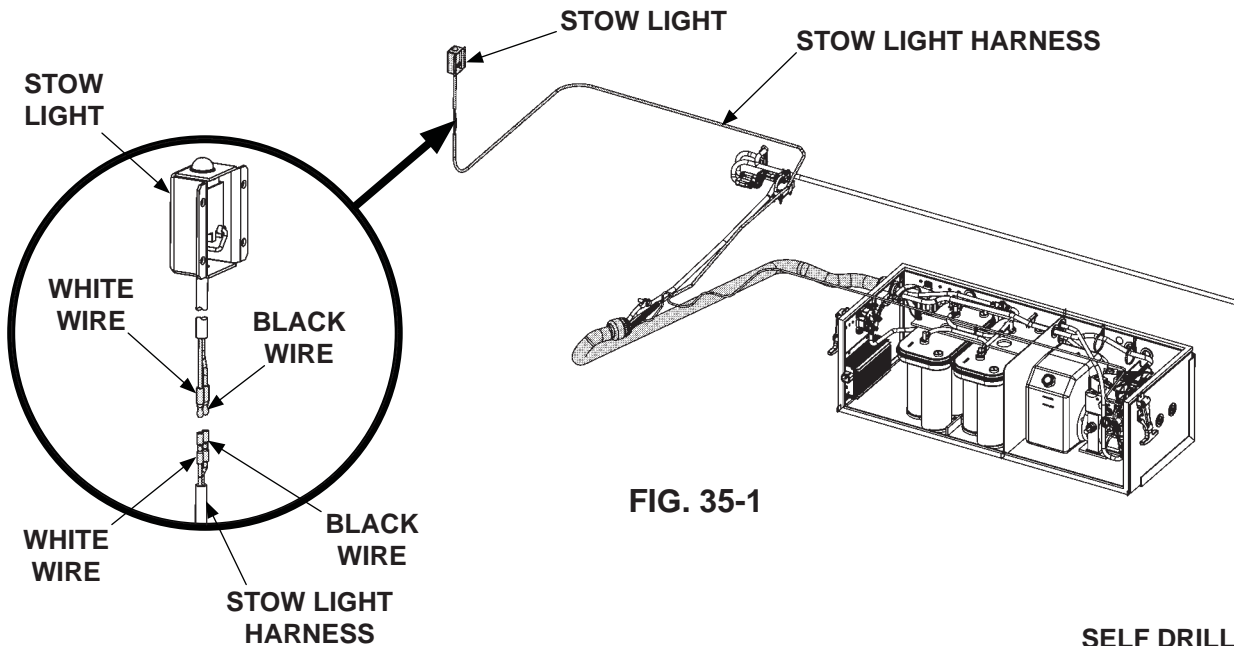
FIG. 34-1A

VIEW OF WALL SWITCHES FROM INSIDE TRAILER
FIG. 34-1

STEP 6 - ATTACH STOW LIGHT TO TRAILER

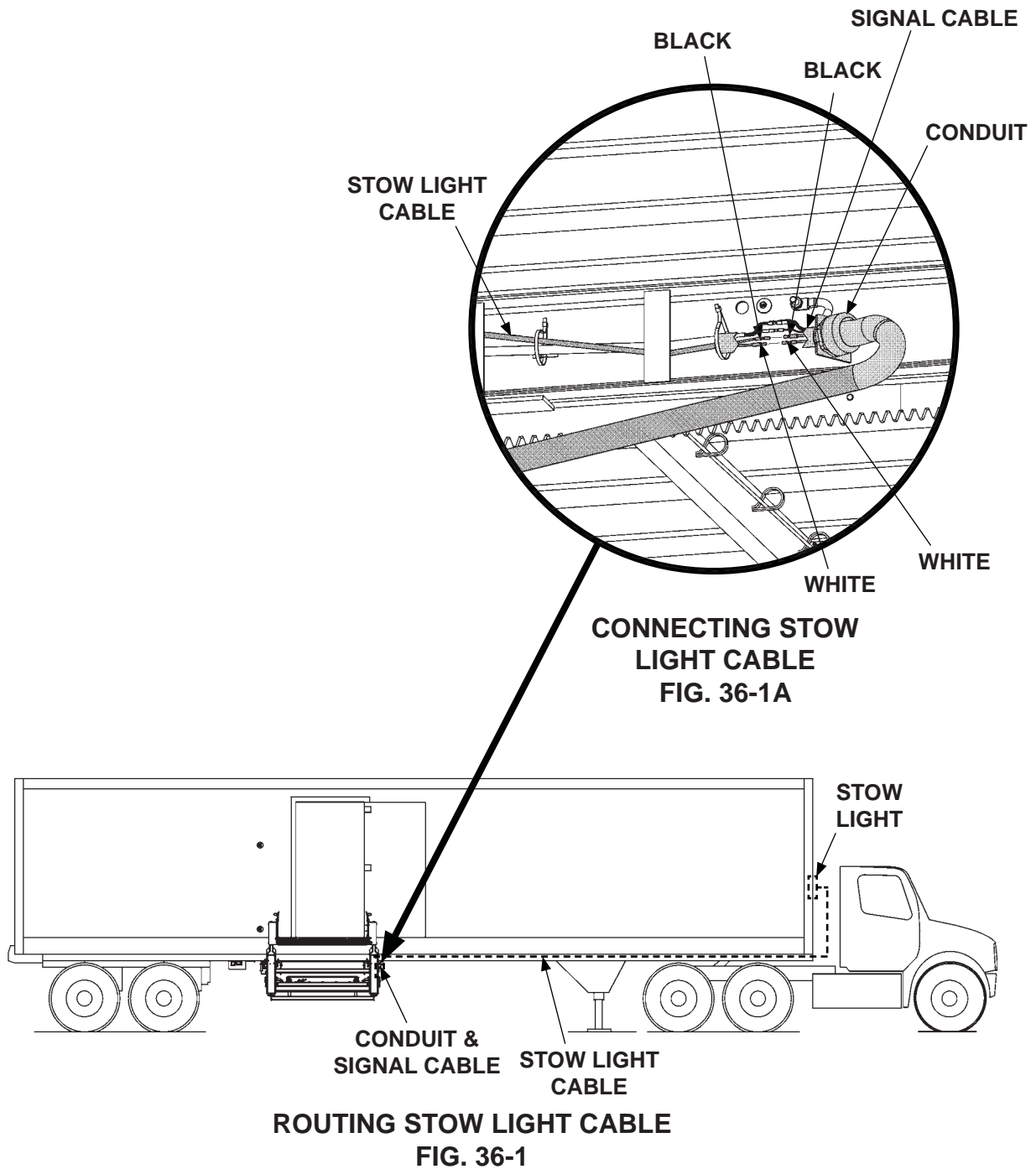
NOTE: Stow light will warn vehicle driver if the Liftgate is not stowed. Light must be positioned so the driver can see the light from the LH sideview mirror.

1. Connect stow light to stow light harness (**FIGS. 35-1 and 35-1A**).
2. Position stow light on trailer as shown in **FIGS. 35-2 and 35-2A**. Fasten stow light on front LH corner of trailer with self drilling screws (**FIG. 35-2A**).



STEP 6 - ATTACH STOW LIGHT TO TRAILER - Continued

3. Route and connect stow light cable to signal cable connectors extending from the conduit as shown in **FIGS. 36-1** and **36-1A**.



STEP 7 - RECOMMENDED LIFTGATE POWER CONFIGURATION

NOTE: Make sure the Liftgate power unit, and all batteries on the vehicle for the power unit, are connected correctly to a common chassis ground.

Charge lines for the Liftgate are typically installed on trailers as show in **FIG. 37-1**.

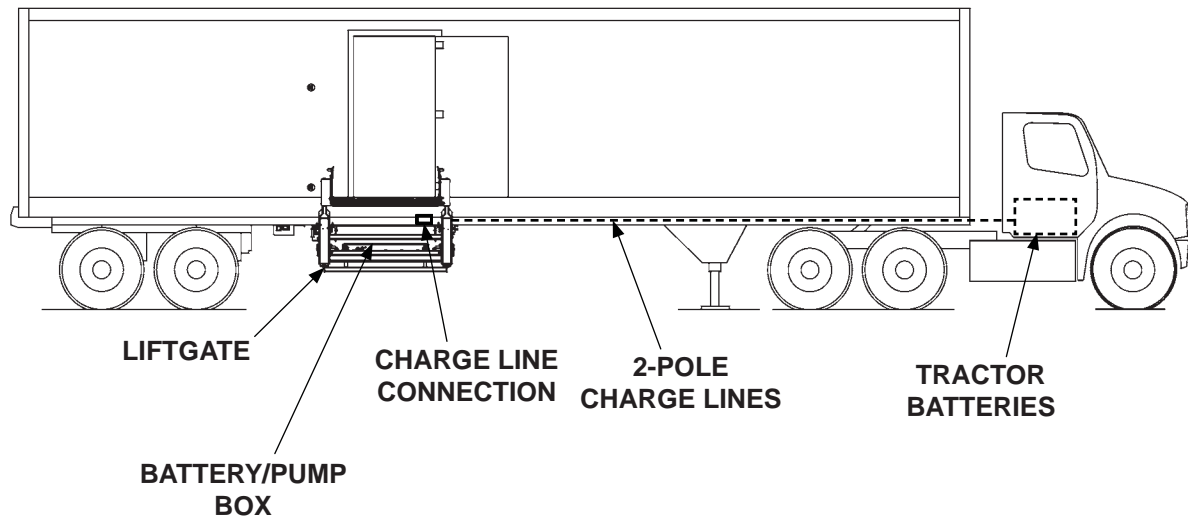
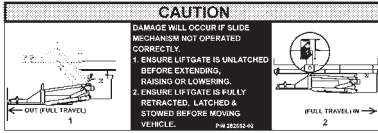
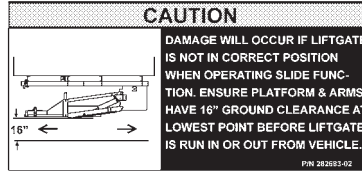


FIG. 37-1

ATTACH DECALS



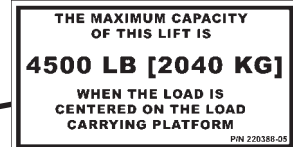
**CAUTION DECAL
P/N 282682-02**



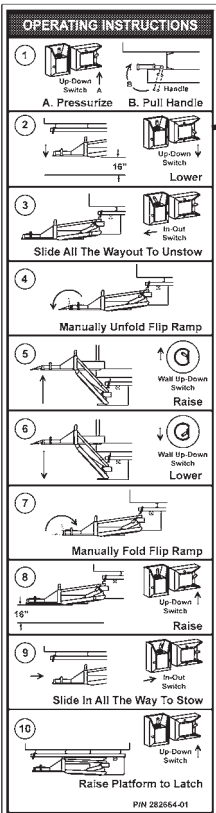
**CAUTION DECAL
P/N 282683-02**



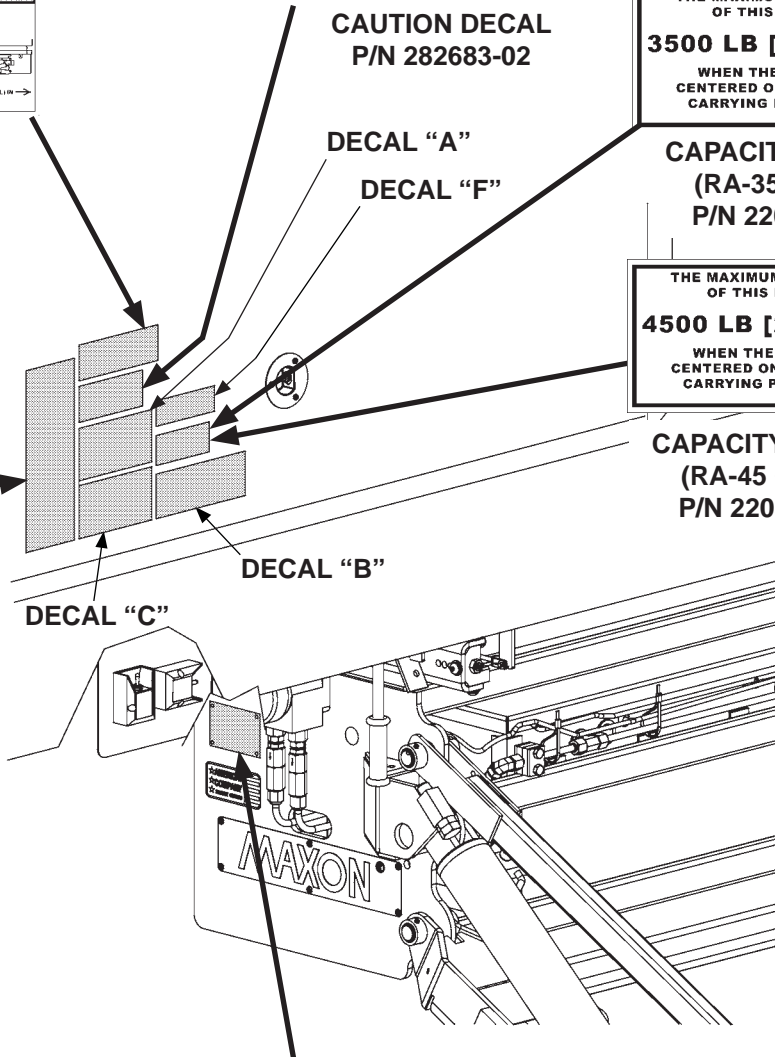
**CAPACITY DECAL (RA-35 ONLY)
P/N 220388-04**



**CAPACITY DECAL (RA-45 ONLY)
P/N 220388-05**



**OPERATION DECAL
P/N 282664-01**



SERIAL PLATE (REF)

FIG. 38-1

MAXON 11921 Slauson Ave. Santa Fe Springs, CA. 90670 (800) 227-4116 FAX (888) 771-7713

ATTACH DECALS - Continued

CAUTION
Always stand clear of platform area.
P/N 282522-01 (P)

WARNING
Read this information carefully.

- Improper operation of this Liftgate can result in serious personal injury. If you do not have a copy of the operating instructions, please obtain them from your employer, distributor, or lessor before you attempt to operate Liftgate.
- If there are signs of improper maintenance, damage to vital parts, or slippery platform surface, do not use the Liftgate until these problems have been corrected.
- If you are using a pallet jack, be sure it can be maneuvered safely.
- Do not operate a forklift on the platform.
- Do not allow any part of yours or your helper's body to be placed under, within, or around any portion of the moving Liftgate, or its mechanisms, or in a position that would trap them between the platform and the ground or truck when the Liftgate is operated.
- If a helper is riding the platform with you, make sure you are both doing so safely and that you are not in danger of coming in contact with any moving or potentially moving obstacles.
- **USE GOOD COMMON SENSE**
- If load appears to be unsafe, do not lift or lower it.

For a free copy of other manuals that pertain to this model Liftgate, please visit our website at www.maxonlift.com or call Customer Service at (800) 227-4116. P/N 282522-01 (C)

SAFETY INSTRUCTIONS
Read all decals and operation manual before operating liftgate.

1. Do not use liftgate unless you have been properly instructed and have read, and are familiar with, the operating instructions.
2. Be certain vehicle is properly and securely braked before using the liftgate.
3. Always inspect this liftgate for maintenance or damage before using it. Do not use liftgate if it shows any sign of damage or improper maintenance.
4. Do not overload
5. Make certain the area in which the platform will open and close is clear before opening or closing the platform.
6. Make certain platform area, including the area in which loads may fall from platform, is clear before and at all times during operation of liftgate.
7. This liftgate is intended for loading and unloading of cargo only. Do not use this liftgate for anything but its intended use.

P/N 282522-01 (A)

WARNING
Liftgate hazards can result in crushing or falling.
Keep hands and feet clear of pinch points.
If riding liftgate, make sure load is stable and footing is solid.
P/N 282522-01 (B)

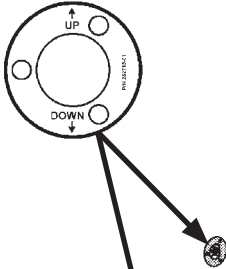


Read and understand all instructions and WARNINGS before use.

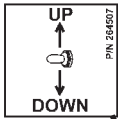
DECAL SHEET
P/N 282522-01
FIG. 39-1

DECAL POSITIONS

DECAL
P/N 282713-01



DECAL
P/N 264507



DECAL
P/N 282721-01

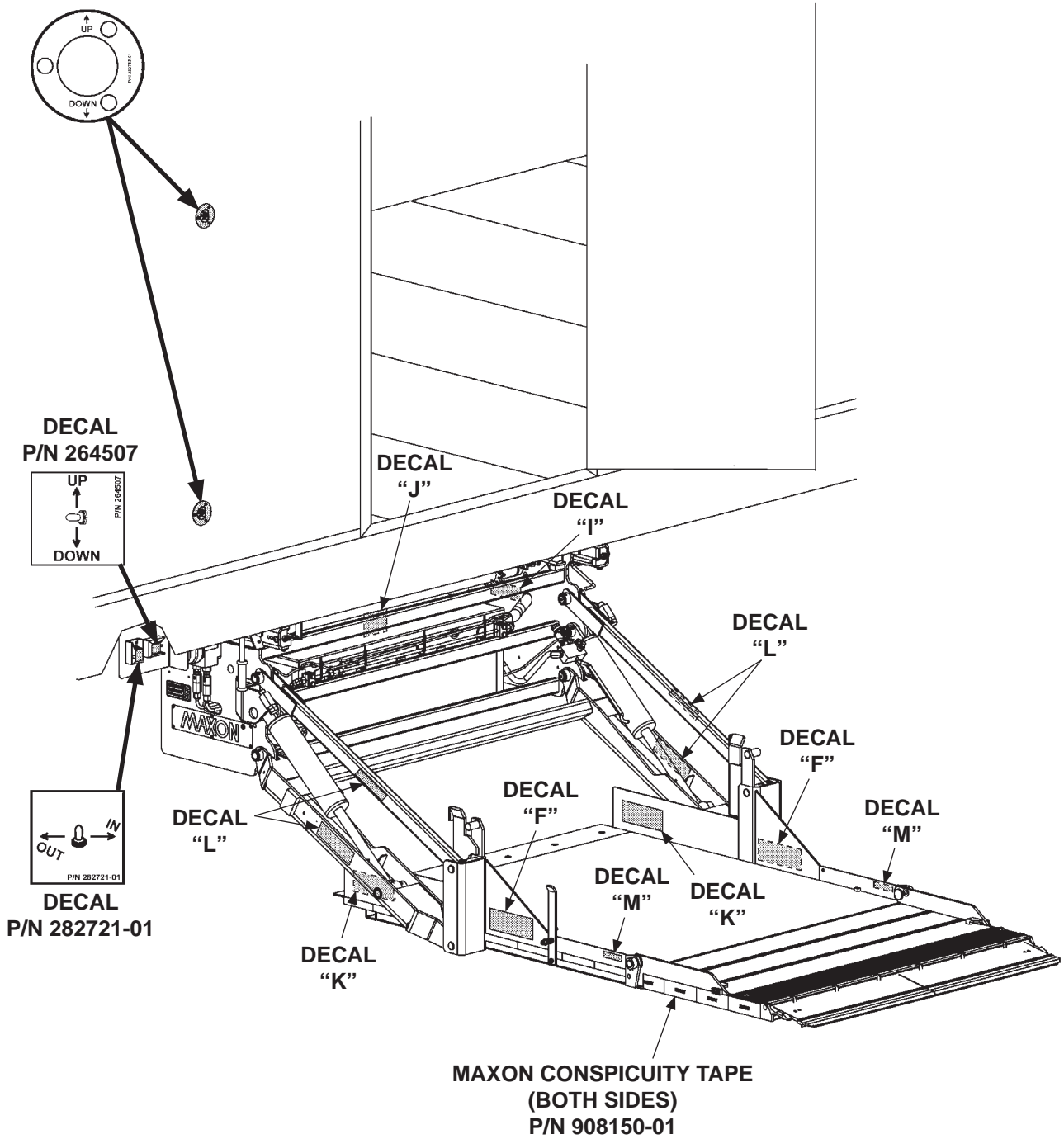
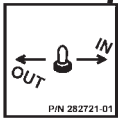


FIG. 40-1

DECAL POSITIONS - Continued

⚠ WARNING

To prevent personal injury & equipment damage, avoid working on liftgate and power unit while platform is raised off the ground. Refer to Maintenance Manual for additional safety instructions.

P/N 267432-01 **F**

MANUAL SLIDER OPERATION & ACCESS INSTRUCTIONS



P/N 267432-01 **I**

⚠ WARNING

Avoid possible injury & damage to equipment if slider moves under power. Ensure battery is disconnected from liftgate before operating the slider manually.

P/N 267432-01 **J**



⚠ WARNING

To avoid possible injury and damage to equipment, never stand on lift arms, parallel arms, or bottom side of platform.

P/N 267432-01 **K**



⚠ WARNING

Keep hands & feet clear of lifting arms.

P/N 267432-01 **L**



⚠ WARNING

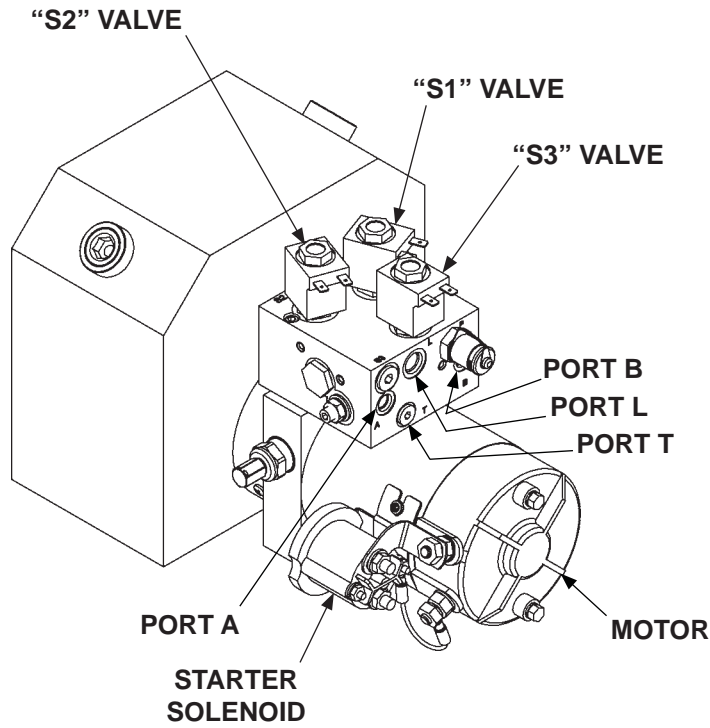
Keep hands clear of pinch points when folding flipover.

M

DECAL SHEET
P/N 282724-01
FIG. 41-1

SYSTEM DIAGRAMS

PUMP & MOTOR SOLENOID OPERATION



PUMP AND MOTOR
FIG. 42-1

POWER UNIT MOTOR & SOLENOID OPERATION						
LIFTGATE FUNCTION	PORT	SOLENOID OPERATION (✓ MEANS ENERGIZED)				
		MOTOR	VALVE "S1"	VALVE "S2"	VALVE "S3"	LOCK VALVE
RAISE	L	✓	-	-	-	✓
LOWER	T	-	-	-	✓	✓
SLIDE OUT	A	✓	-	✓	-	-
SLIDE IN	B	✓	✓	-	-	-

REFER TO VALVES SHOWN ON
HYDRAULIC SCHEMATIC

TABLE 42-1

SYSTEM DIAGRAMS - Continued

HYDRAULIC SCHEMATIC

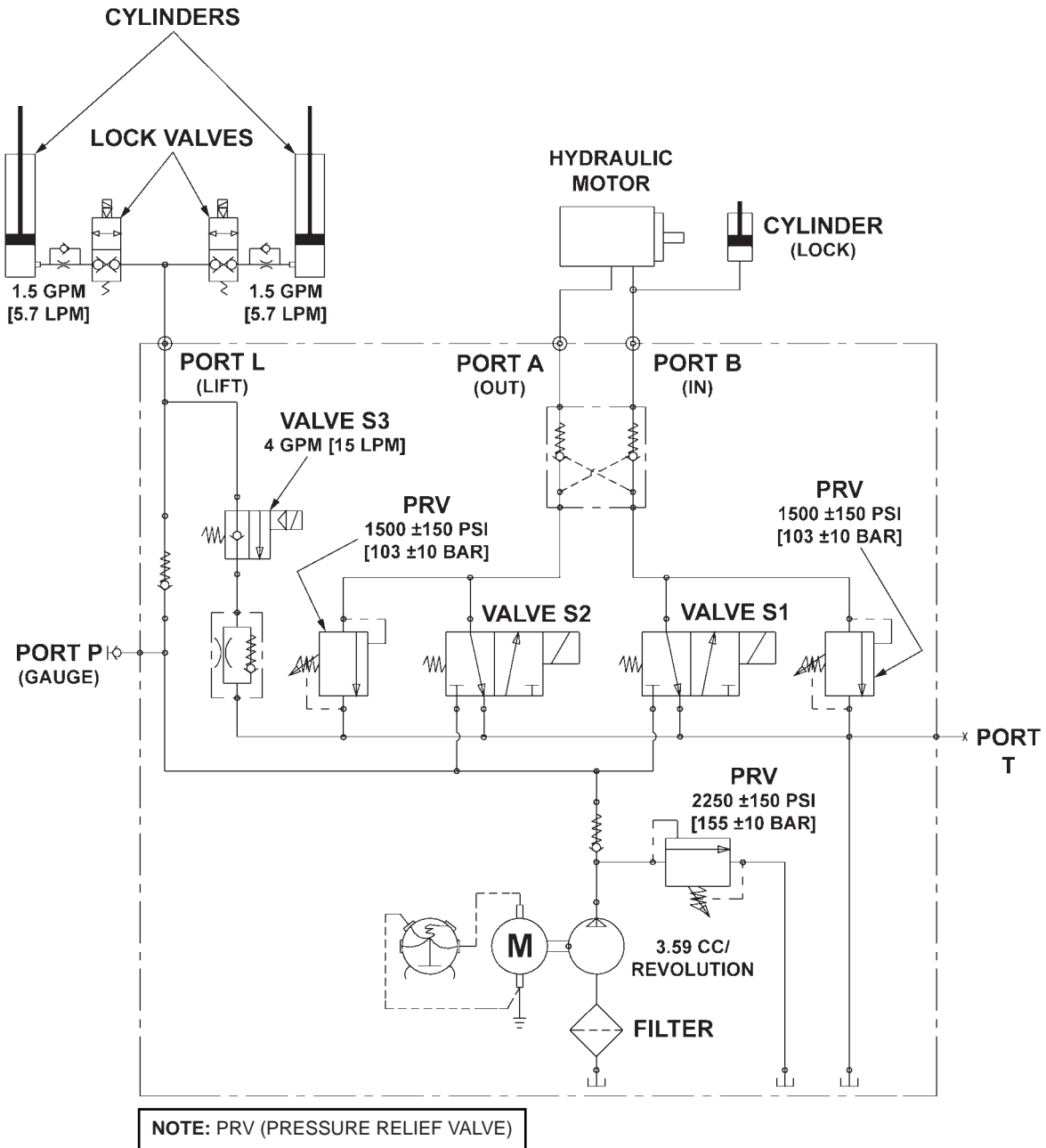


FIG. 43-1

SYSTEM DIAGRAMS - Continued

ELECTRICAL SCHEMATIC

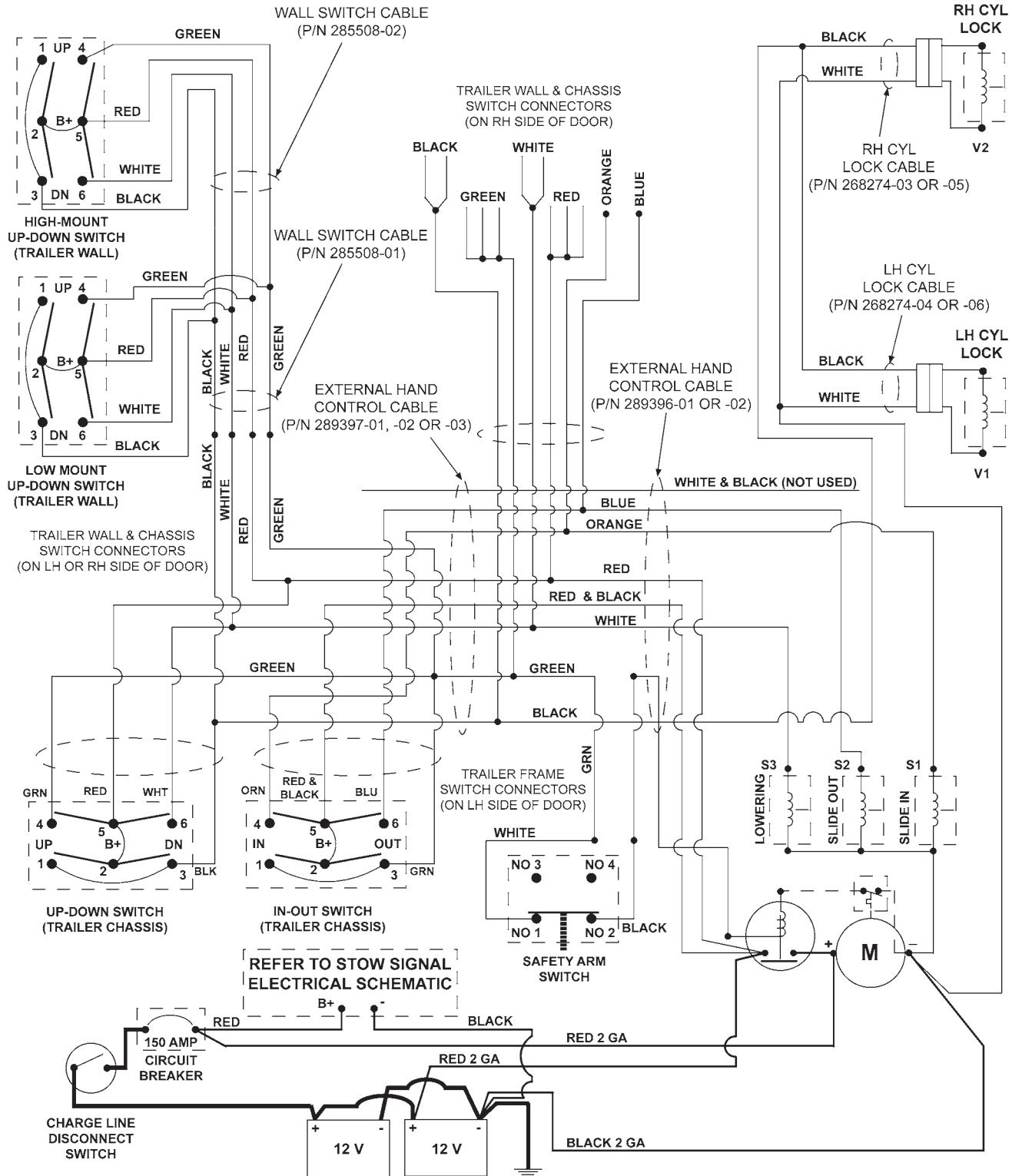


FIG. 44-1

MAXON 11921 Slauson Ave. Santa Fe Springs, CA. 90670 (800) 227-4116 FAX (888) 771-7713

SYSTEM DIAGRAMS - Continued

STOW SIGNAL ELECTRICAL SCHEMATIC

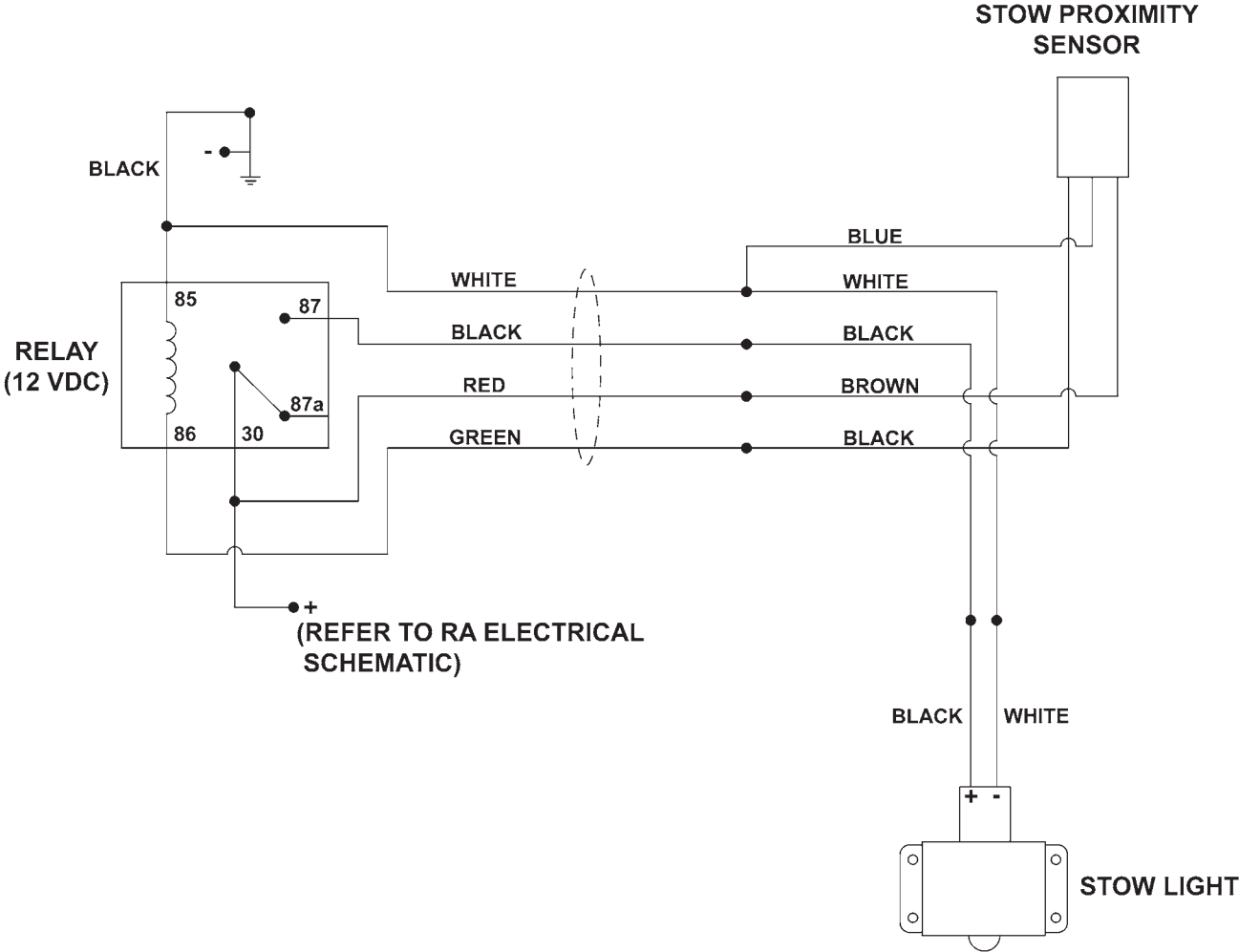


FIG. 45-1

OPTIONS

OPTIONAL LIFTGATE COMPONENTS

MISCELLANEOUS KITS	PART NO.
CYCLE COUNTER	280590-01
MUD GUARD	225216
EXTRA CONTROLS AND CONTROL KITS	
HAND HELD CONTROL	285609-01
WALL SWITCH KITS	
RECESSED WALL SWITCHES	288670-01
OUTSIDE WALL SWITCHES	288947-01
BATTERY CABLE KITS	
16' BATTERY CABLE INSTALLATION	289230-01
26' BATTERY CABLE INSTALLATION	289230-02
36' BATTERY CABLE INSTALLATION	289230-03
48' BATTERY CABLE INSTALLATION	289230-04
LIGHT KITS	
FLASHING LIGHTS, FOR 82" WIDTH	295196-01
FLASHING LIGHTS, FOR 60" WIDTH	295196-02
FLASHING LIGHTS, FOR 48" WIDTH	295196-03
WORK LIGHTS	295198-01
TRAILER FRONT LIGHTS	295199-01

TABLE 46-1

MAXON[®] 11921 Slauson Ave. Santa Fe Springs, CA. 90670 (800) 227-4116 FAX (888) 771-7713