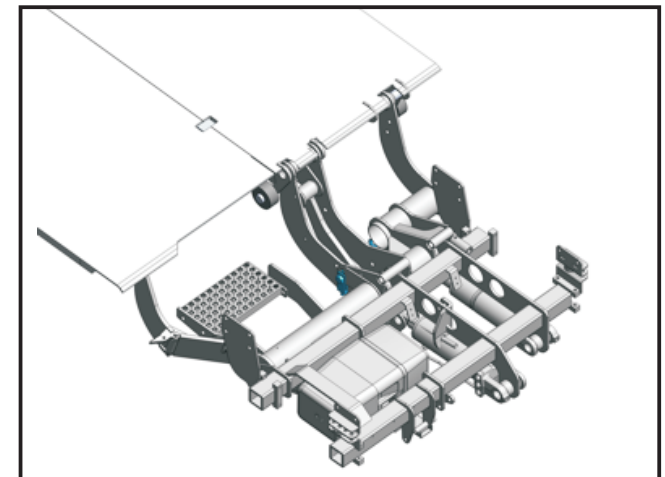
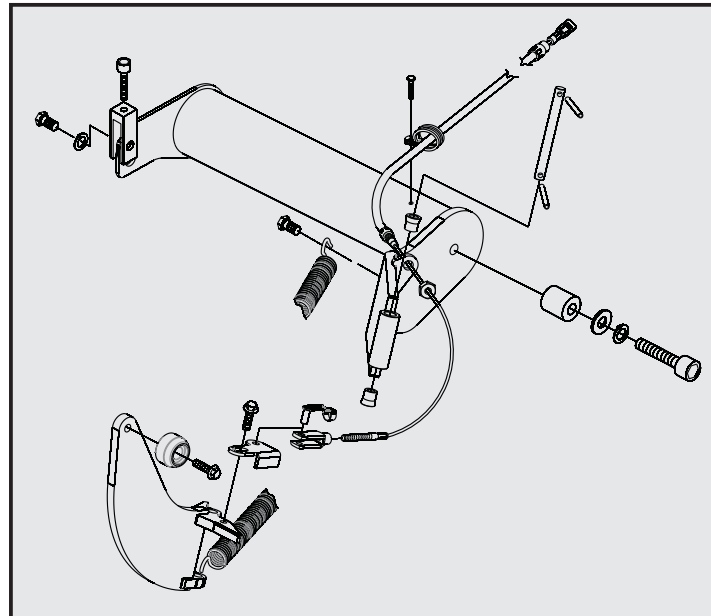
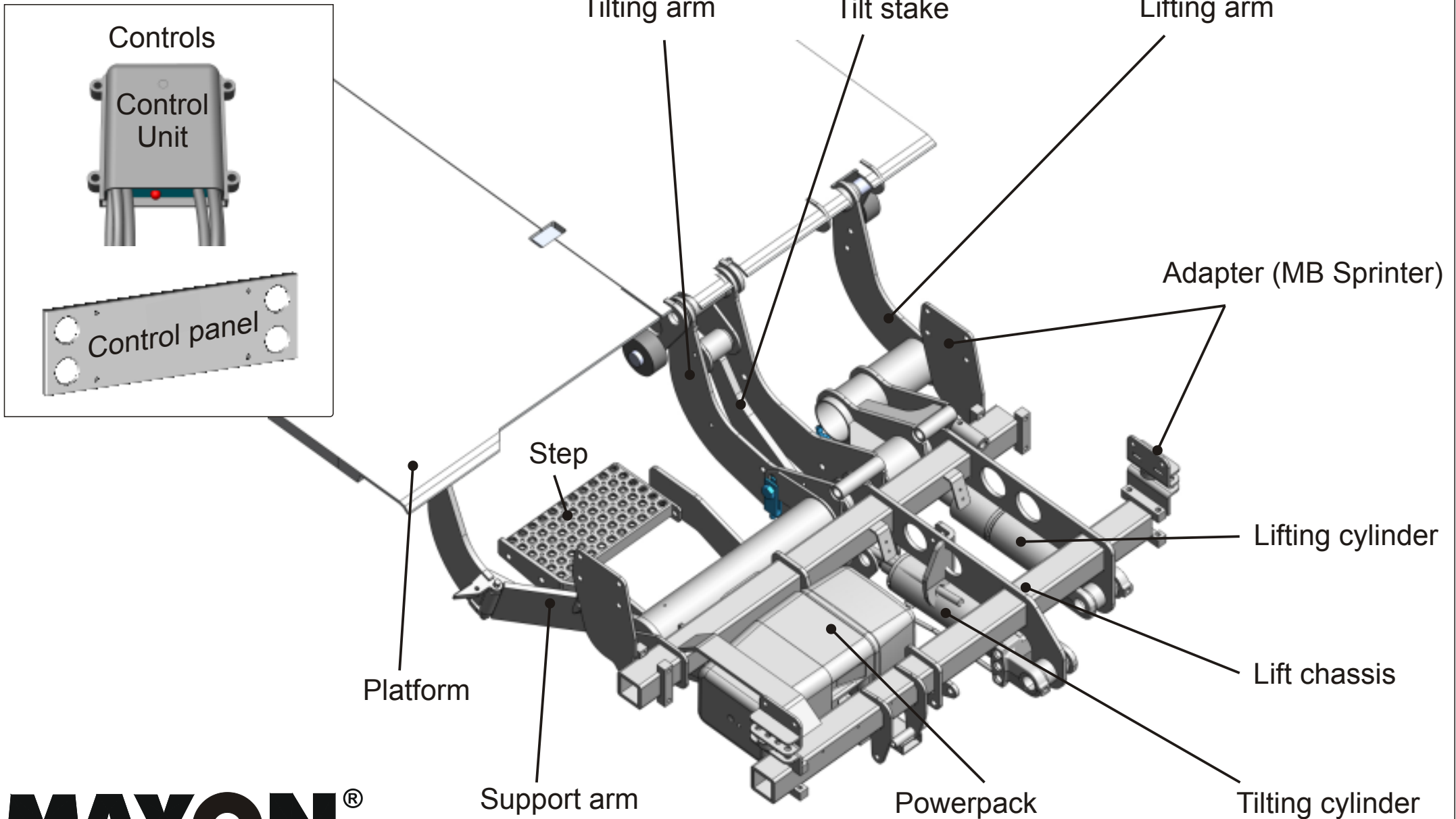


MAXON®

Spare Parts Catalogue GPC X1 LDF



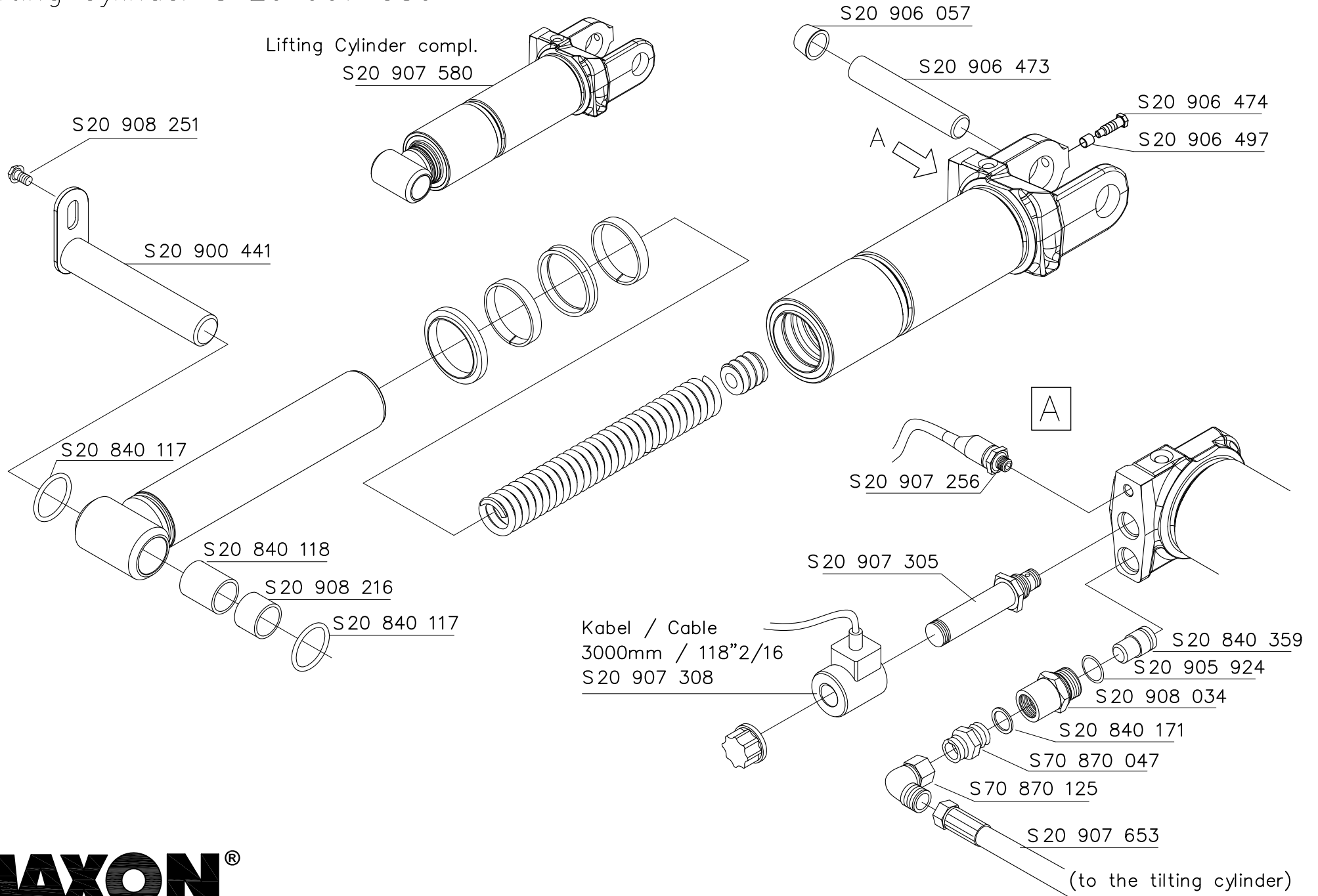
GPC X1 LDF



MAXON®

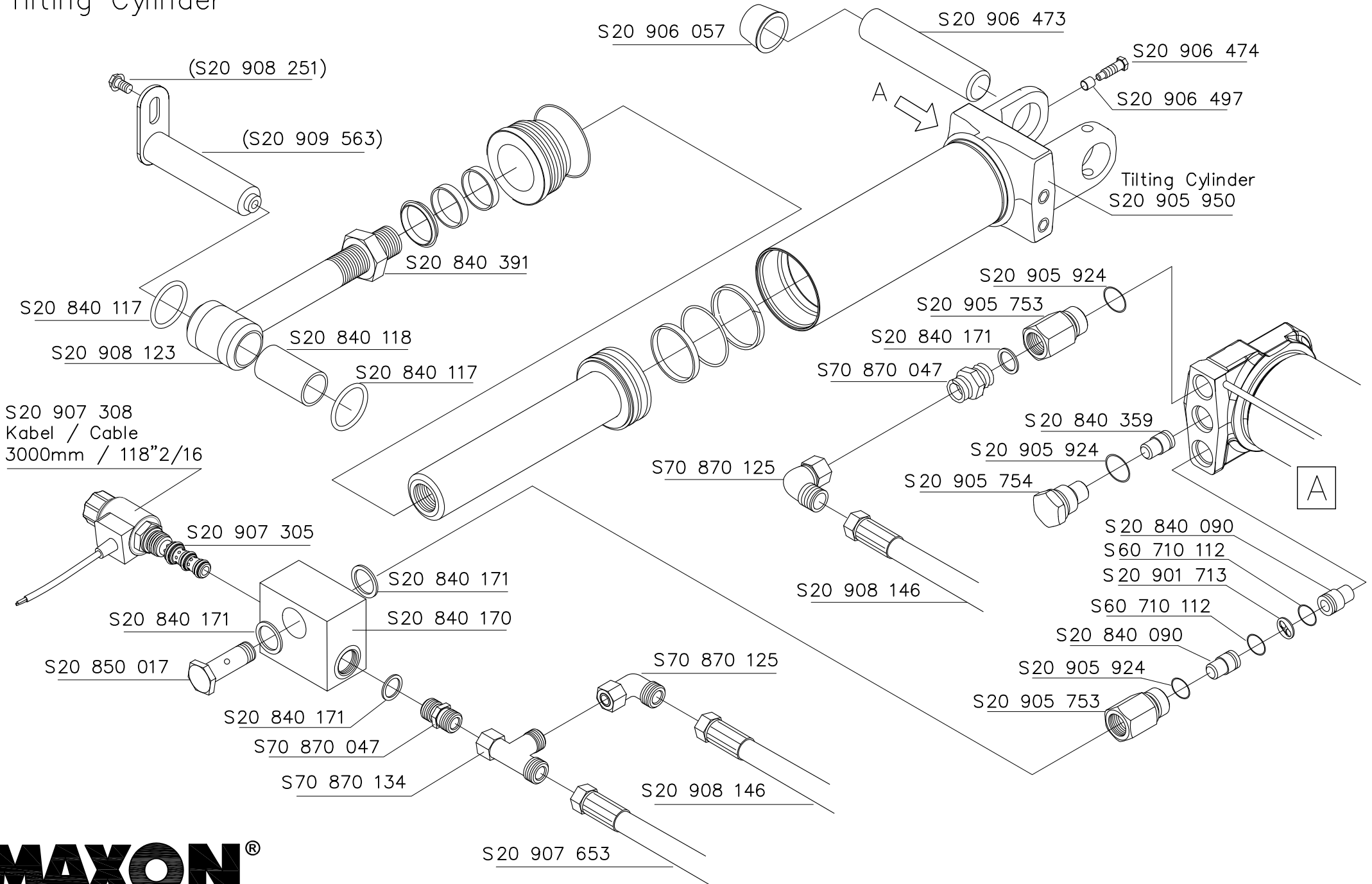
lifting cylinder S 20 907 580

Lifting Cylinder compl.
S20 907 580



GPC X1 LDF

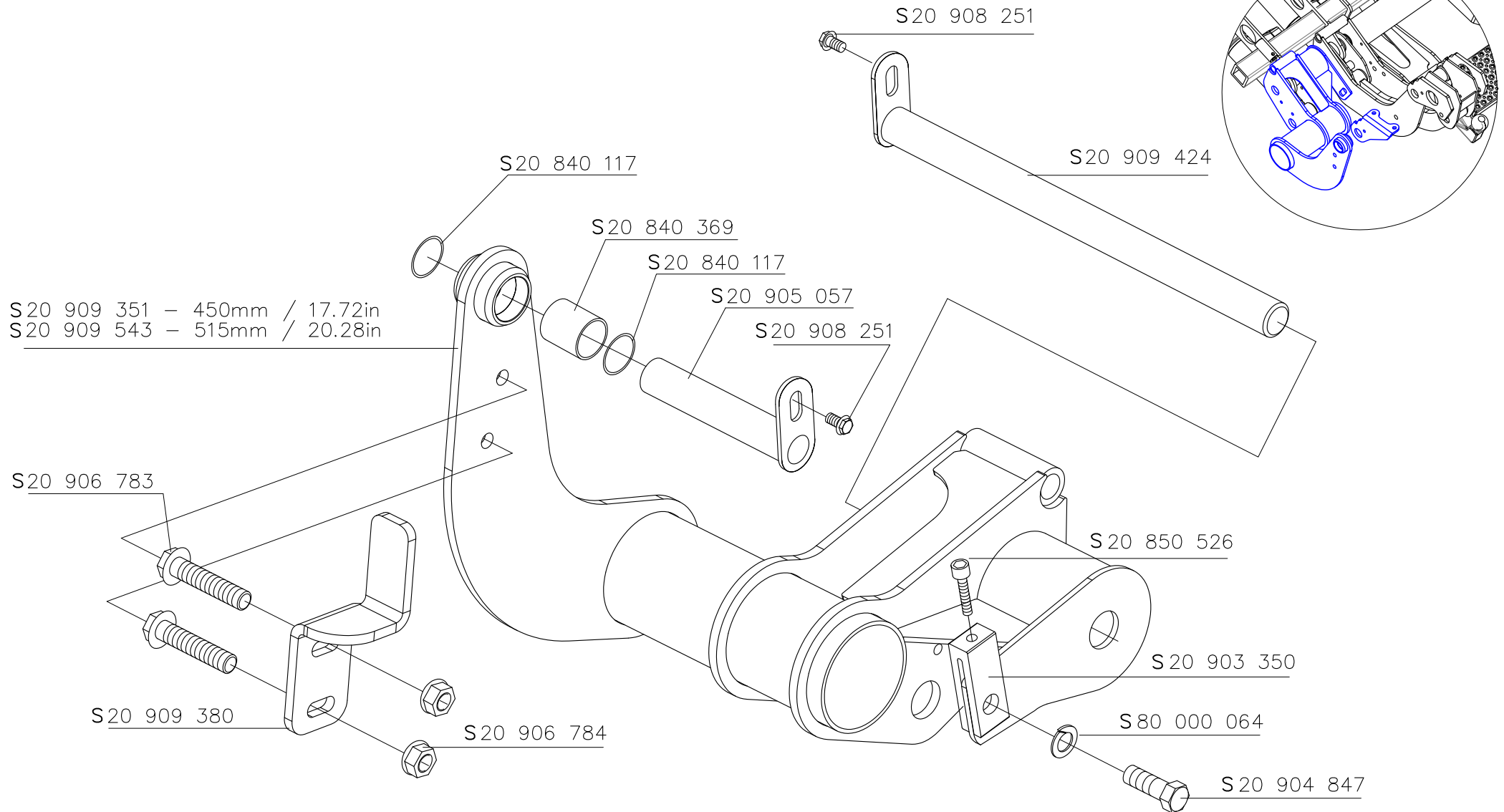
Tilting Cylinder



MAXON[®]

GPC X1 LDF

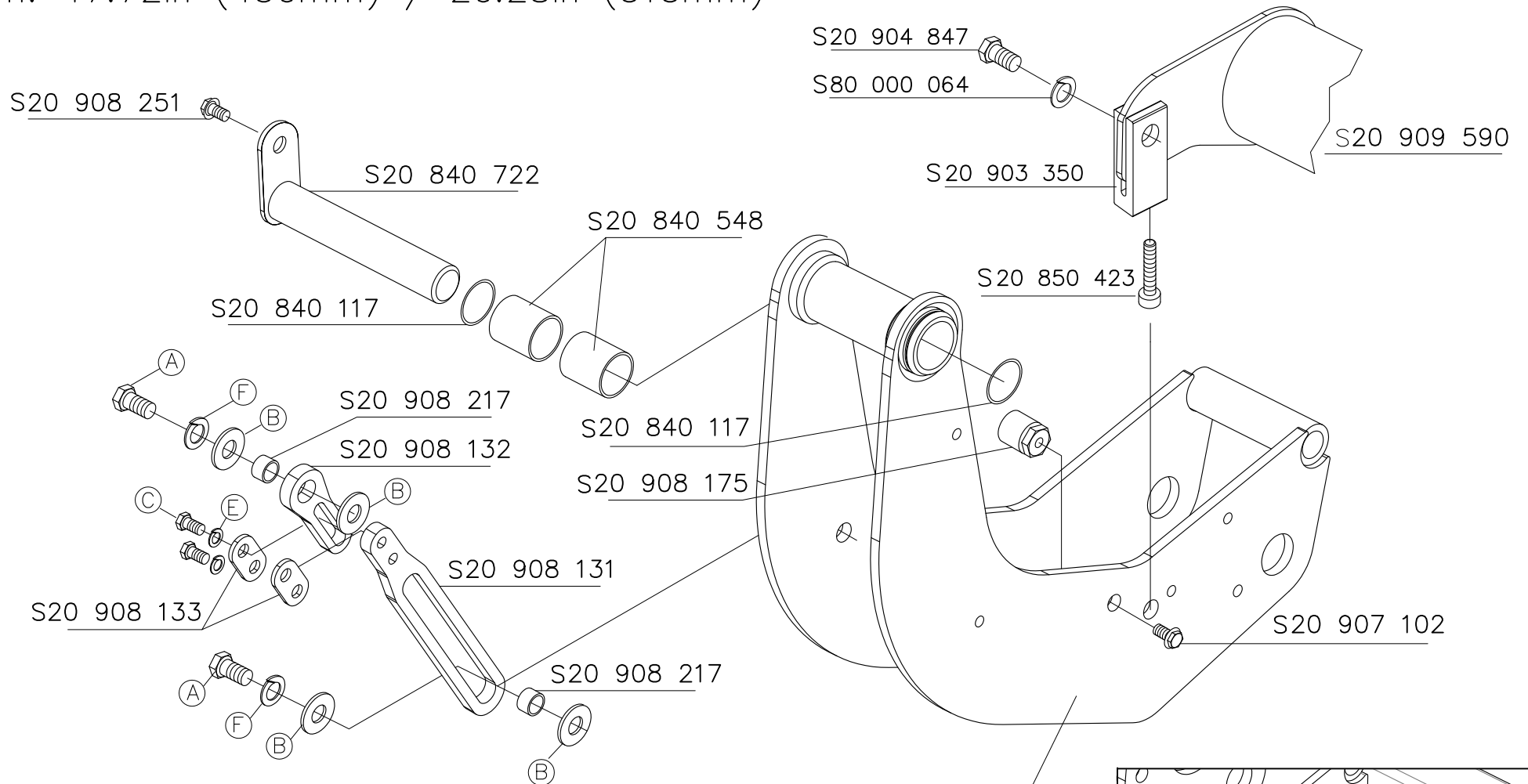
Liftarm: 17.72in (450mm) / 20.28in (515mm)



MAXON®

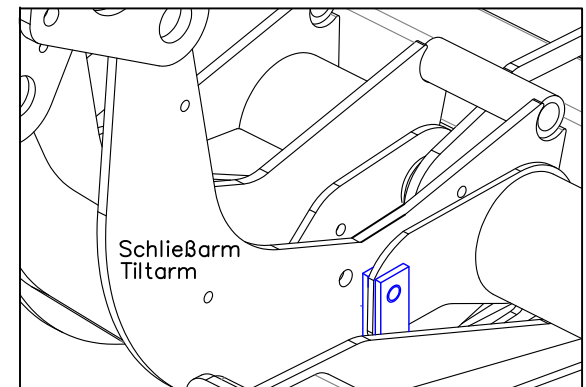
GPC X1 LDF

Tiltarm: 17.72in (450mm) / 20.28in (515mm)



- A = S 20 904 598
- B = S 80 000 075
- C = S 80 000 031
- E = S 80 000 062
- F = S 80 000 064

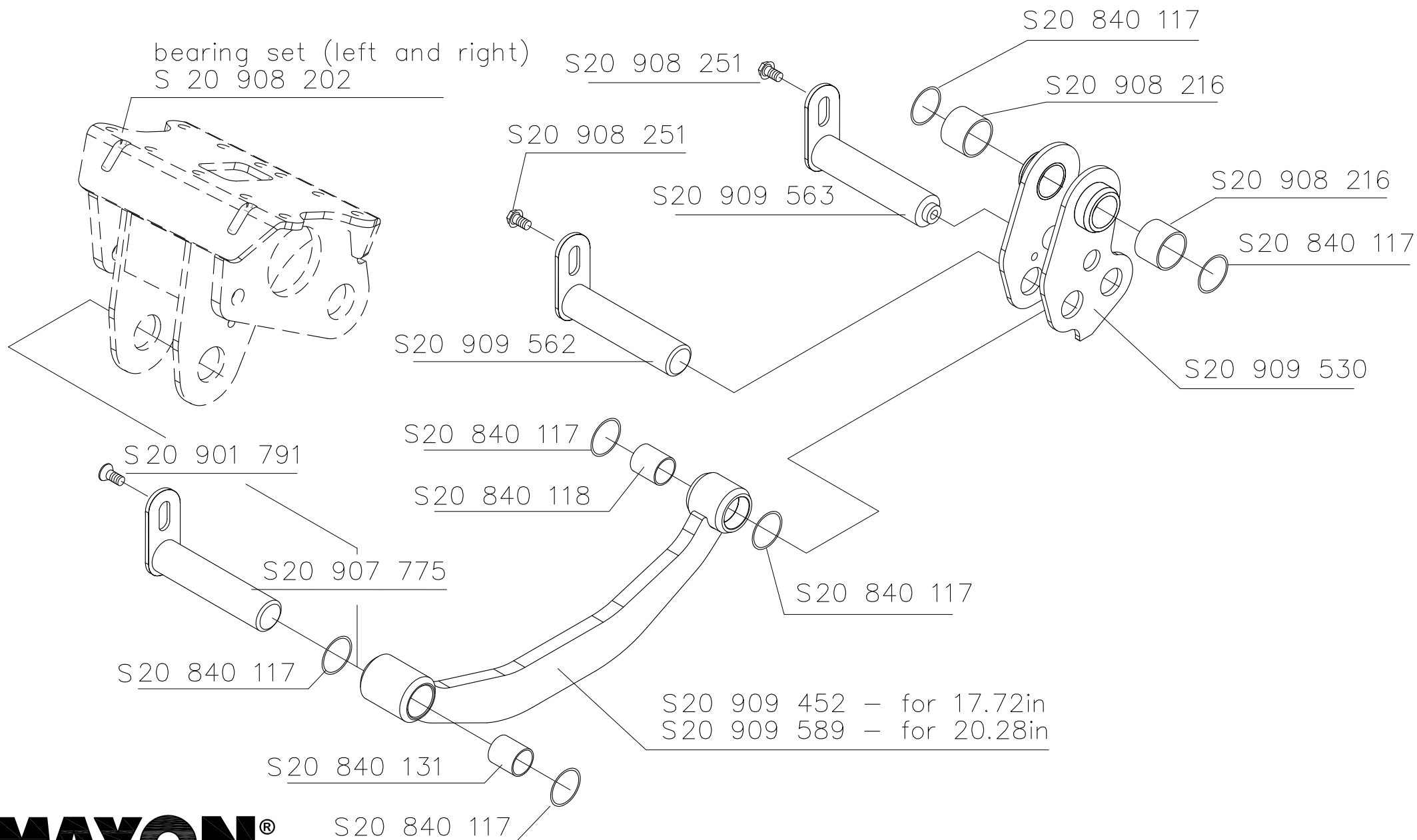
- S20 909 350 – for 17.72in
- S20 909 485 – for 20.28in



MAXON®

GPC X1 LDF

Tilt stake: 17.72in (450mm) / 20.28in (515mm)



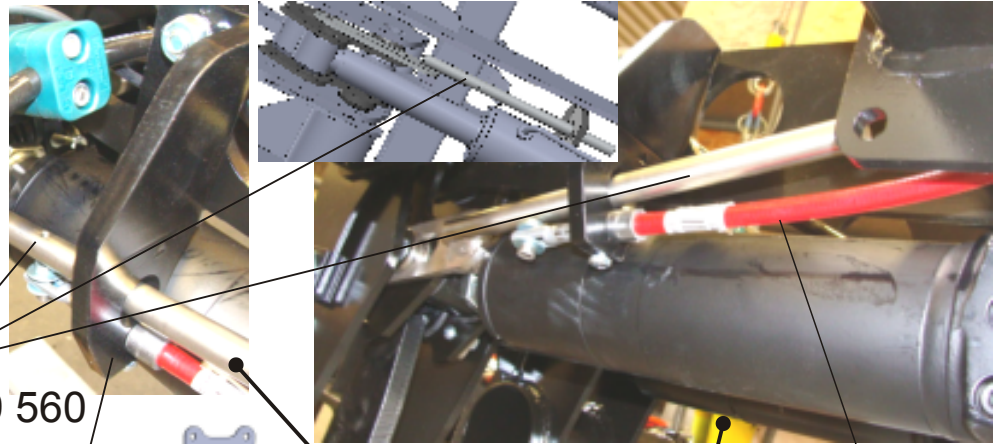
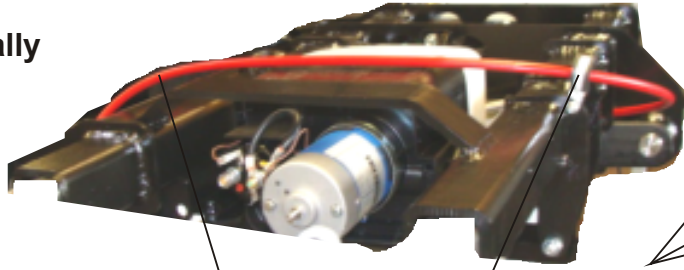
MAXON®

GPC X1 LDF

Document no.: S 20 911 227
Version: 01 2016

GPC X1 LDF

support arm automatically
pop up and fold,
brake cable



S 20 904 859 Cable Clamp
S 20 909 560 Handrail

S 20 905 770 Roll Pin

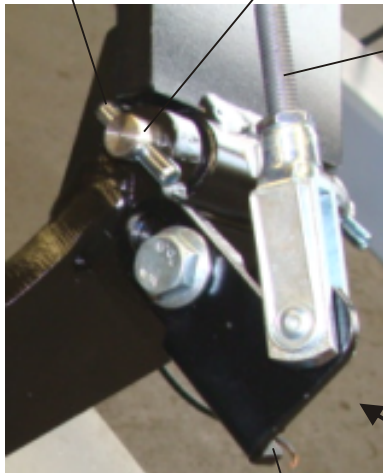
S 20 909 561 Shaft

S 20 909 524 Brake cable

S 20 909 539 Fitting

S 20 909 590 Torsion Tube

S 20 909 524 Brake Cable

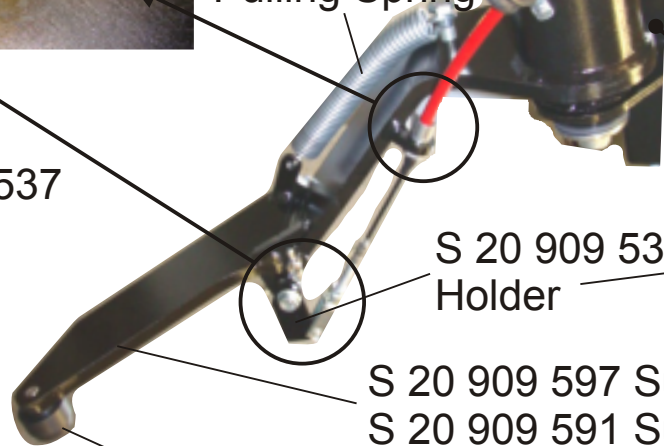


S 20 904 859 Cable Clamp
20 906 877 Pulling Spring

S 20 909 537 Holder

S 20 909 537 Holder

S 20 904 859 Cable Clamp

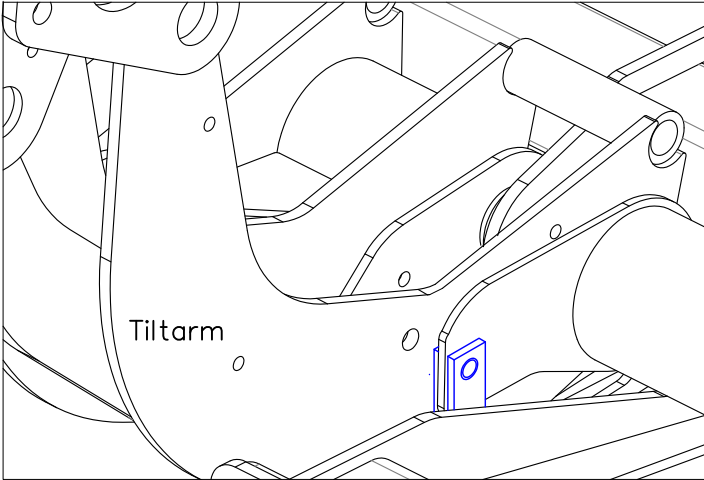
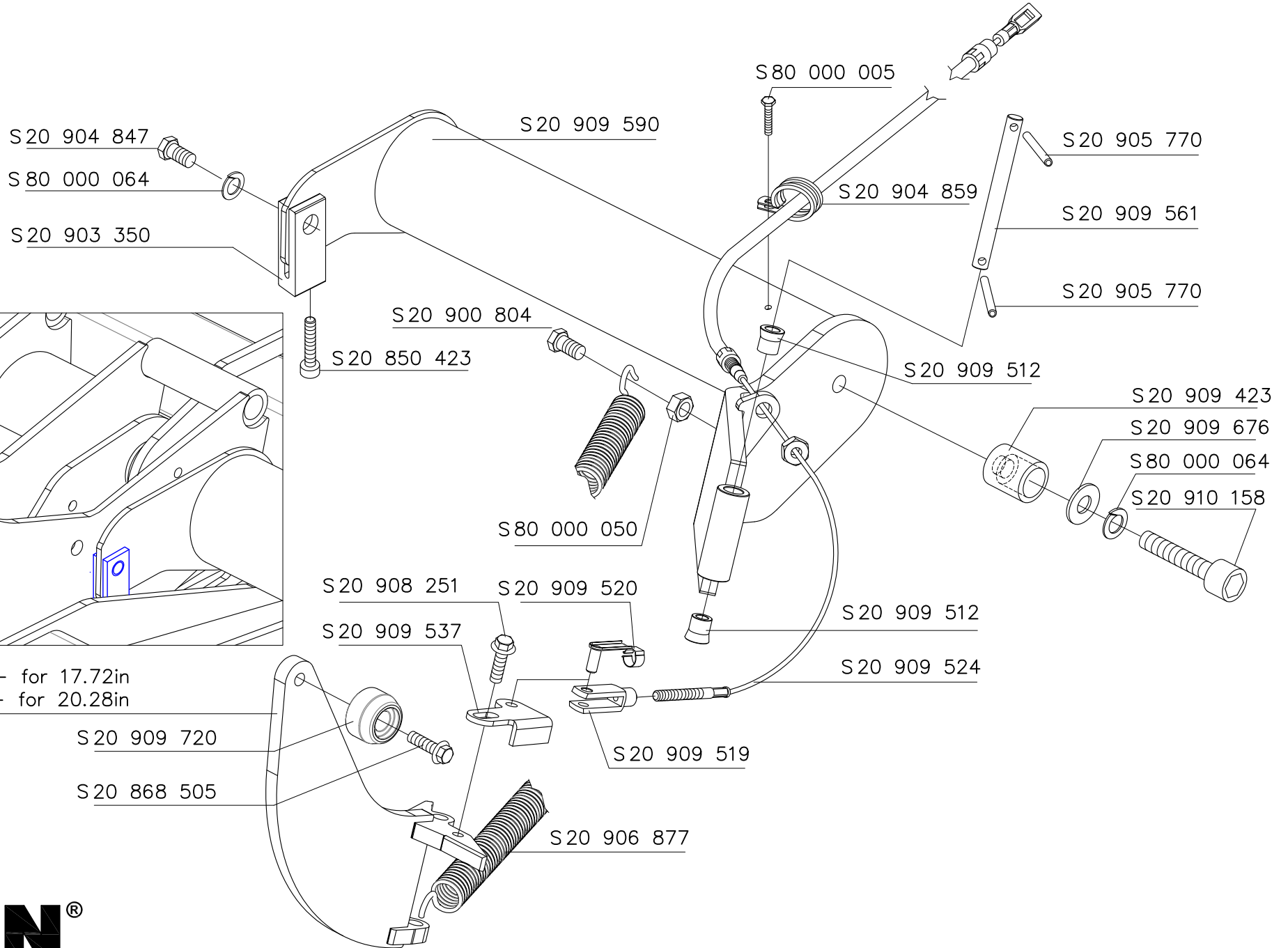


S 20 909 597 Support Arm for 17.72in
S 20 909 591 Support Arm for 20.28in

S 20 909 720 Roll

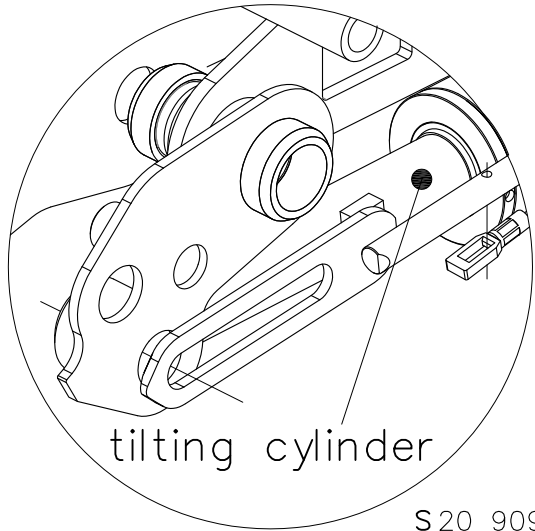
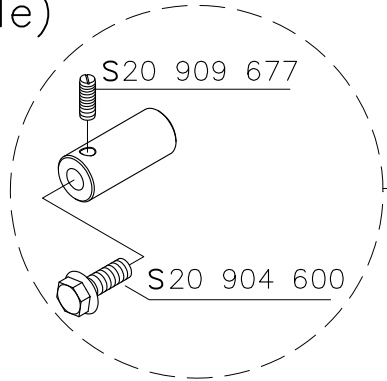
MAXON®

support arm and brake cable

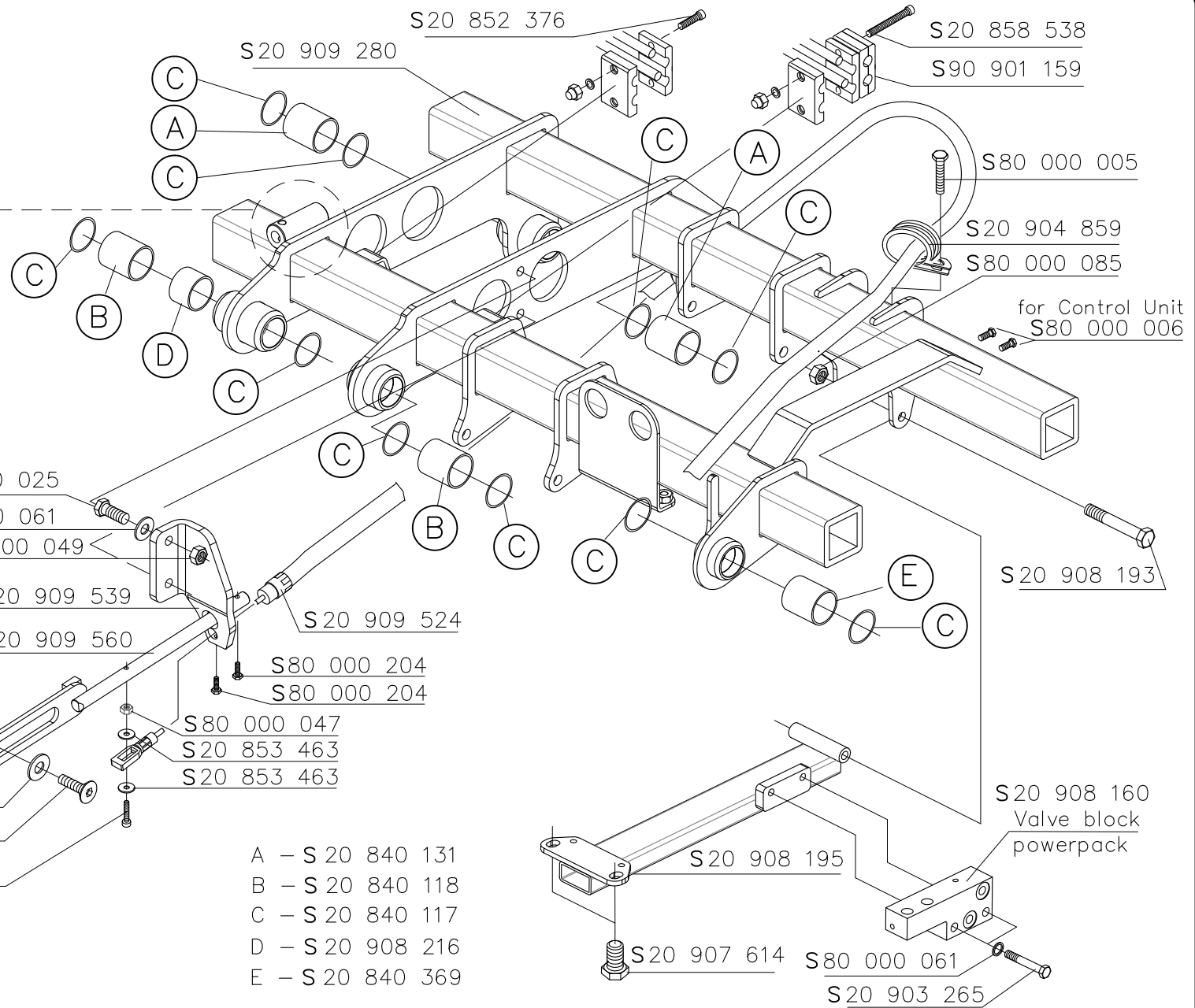


S 20 909 597 – for 17.72in
 S 20 909 591 – for 20.28in

Liftchassis (brake cable)

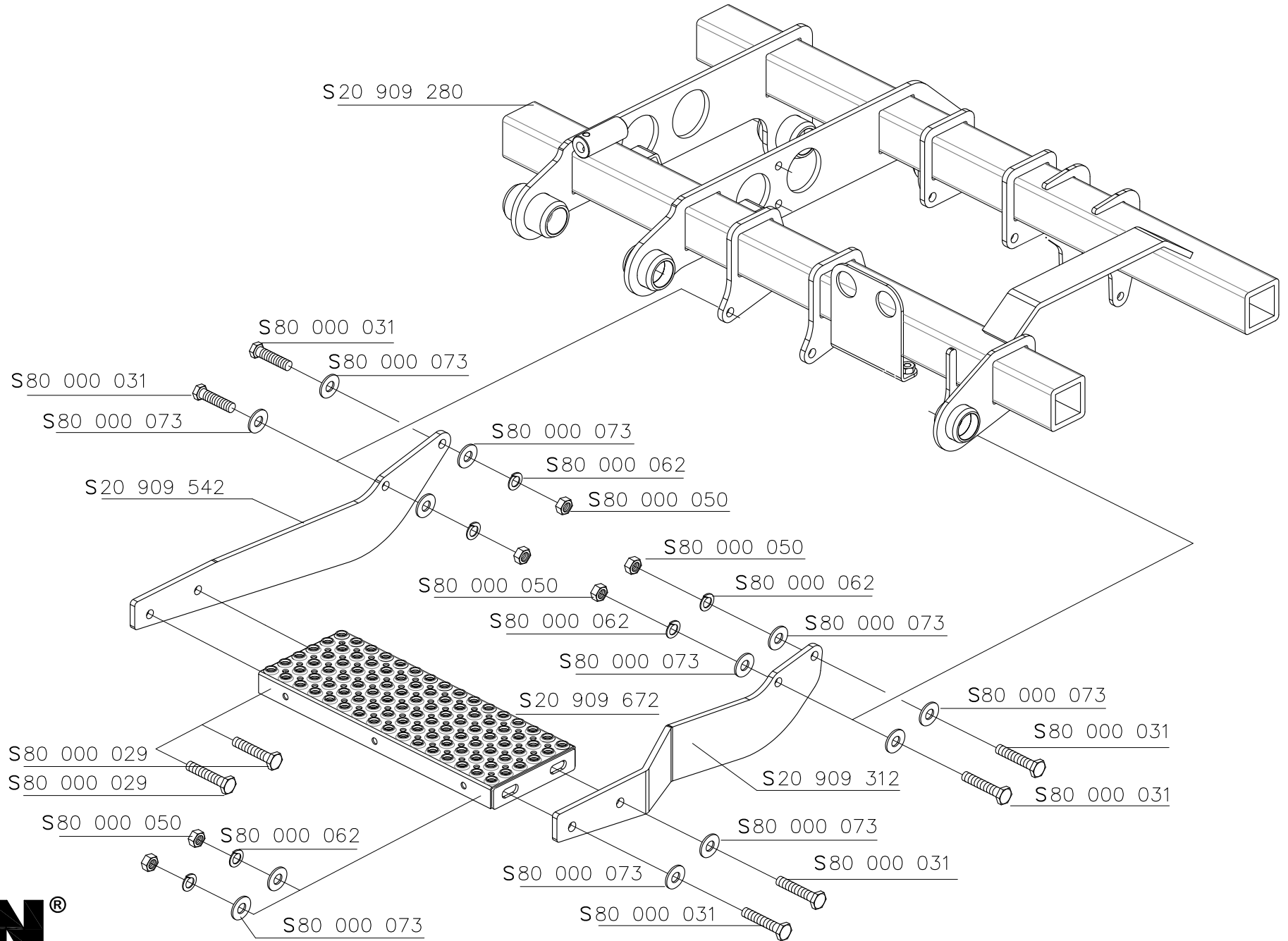


tilting cylinder

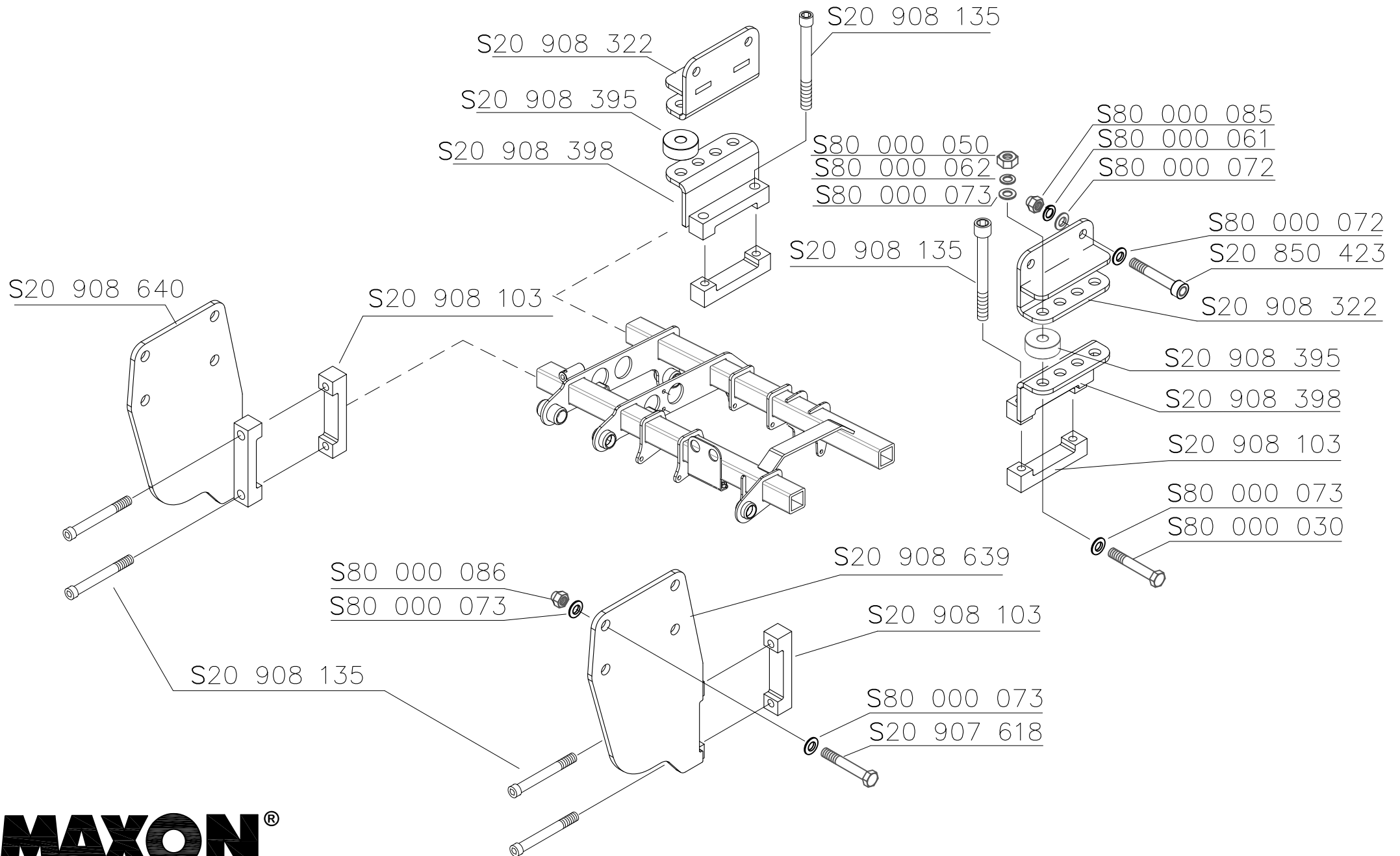


- A - S 20 840 131
- B - S 20 840 118
- C - S 20 840 117
- D - S 20 908 216
- E - S 20 840 369

lift chassis



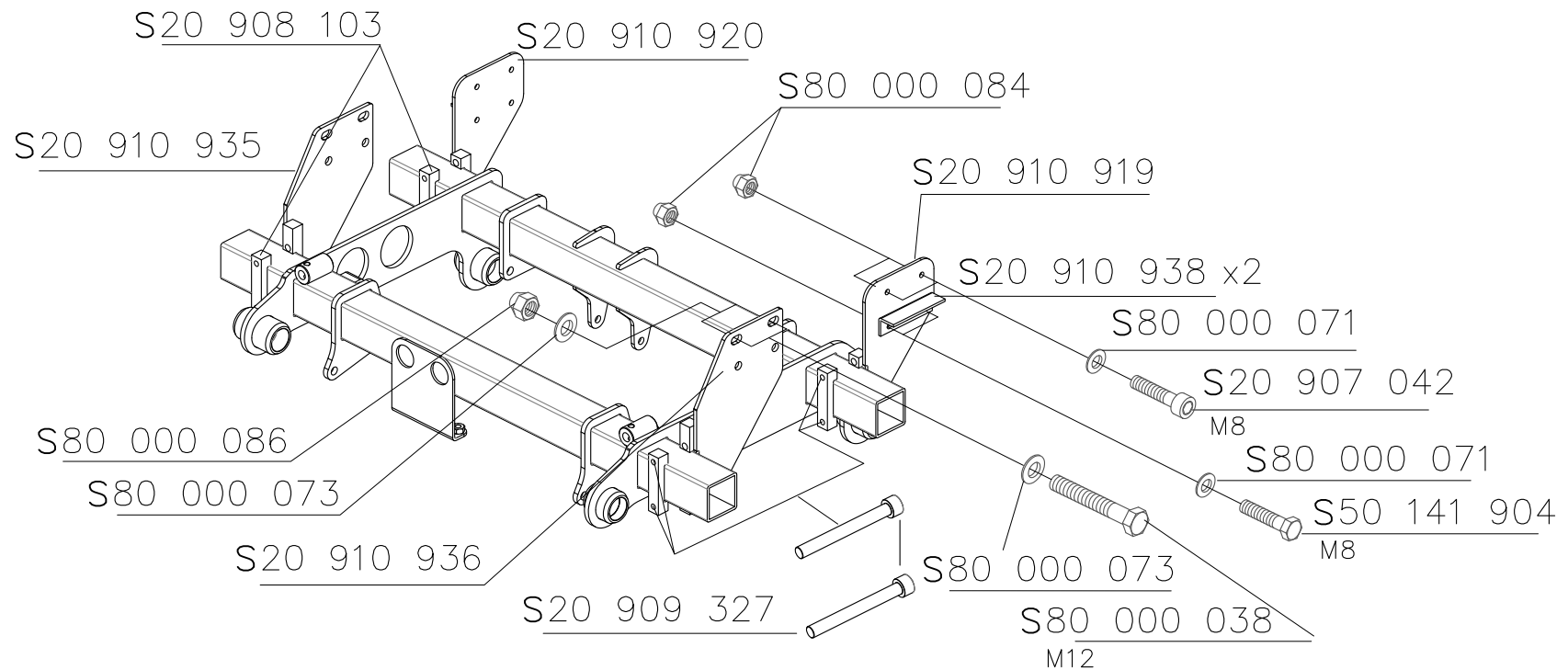
Installation adapter for DB Sprinter and VW Crafter



MAXON®

GPC X1 LDF

Installation adapter for Ford Transit year of manufacture since 2014
for lifting 17" 11/16 or 450mm

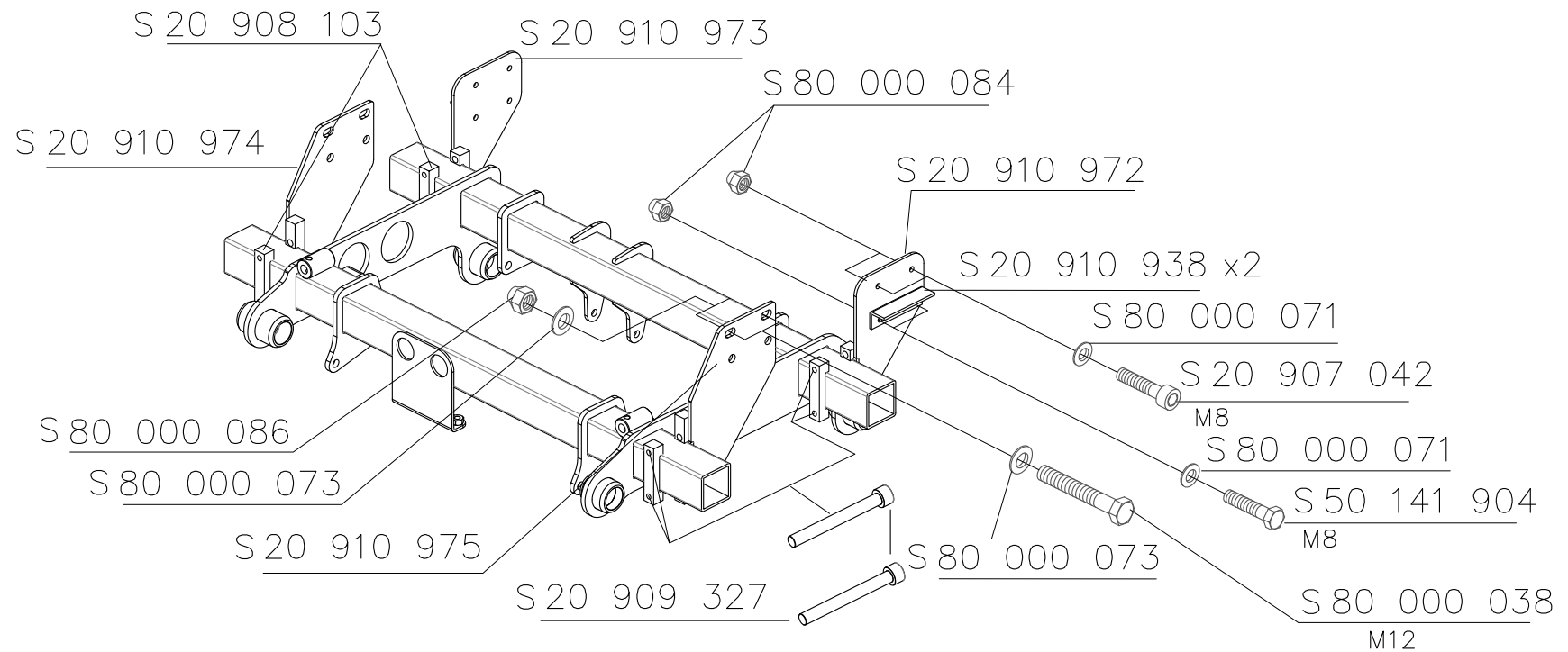


MAXON[®]

GPC X1 LDF

Document no.: S 20 911 227
version 02.2016

Installation adapter for Ford Transit year of manufacture since 2014
for lifting 20" 9/32 or 515mm



MAXON®

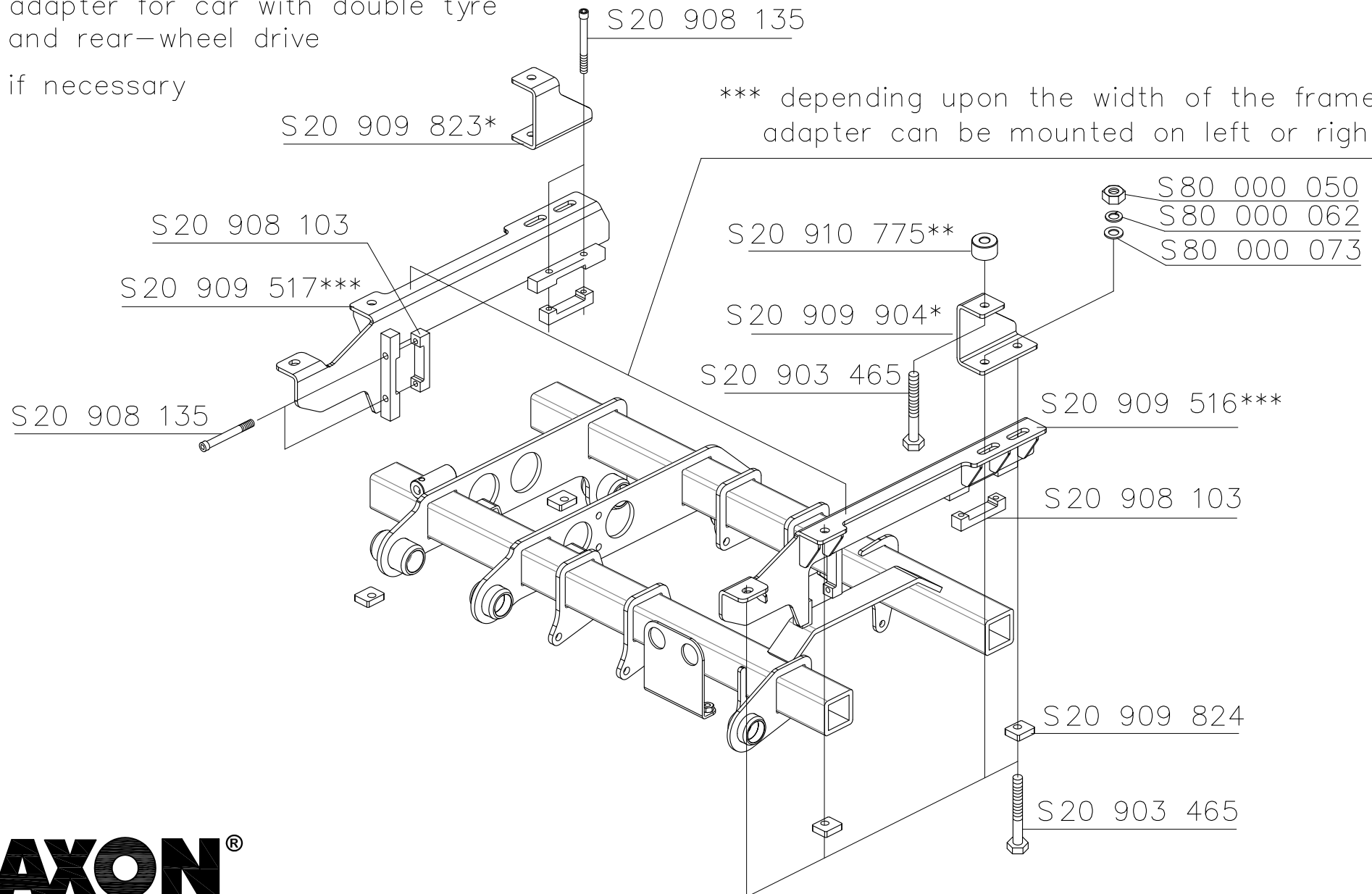
GPC X1 LDF

Installation adapter Renault Master / Opel Movano / Nissan Interstar (since year 2010)

* adapter for car with double tyre and rear-wheel drive

** if necessary

*** depending upon the width of the frame adapter can be mounted on left or right side

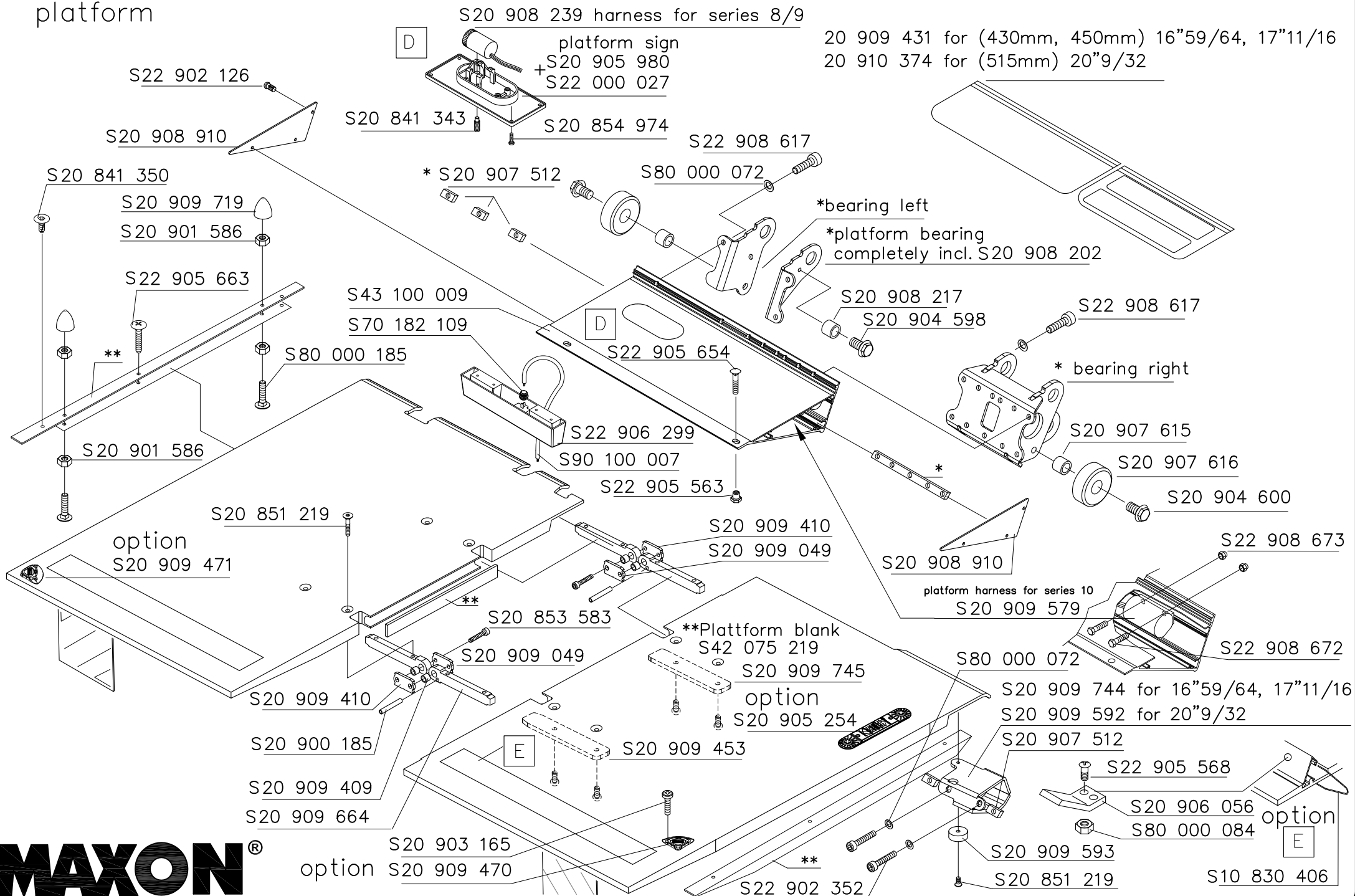


MAXON®

GPC X1 LDF

Document no.: S 20 911 227
Version 03.2016

platform



MAXON®

GPC X1 LDF

GPC X1 LD / LDF platform cable-set Series 10

LED-warning-flashing-light
S 20 909 471

cable-set with flash-light
and with food-control
S 20 909 578

cable-set without flash-light
and without food-control
S 20 909 579

to Control-Unit

sensor S2 switch

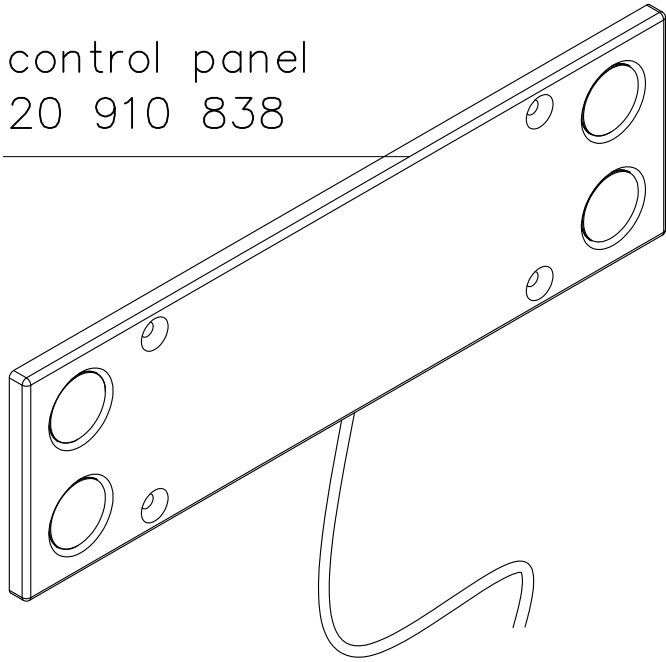
Foot-control
S 20 905 254

Foot-control and LED-warning-flashing-light
is not included in the cable-set/platform harness
S 20 909 579

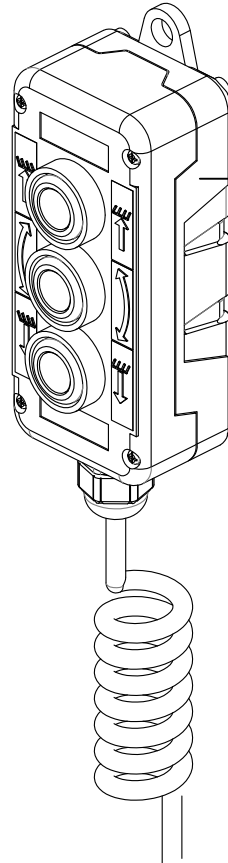
LED-warning-flashing-light
S 20 909 470

Control Unit

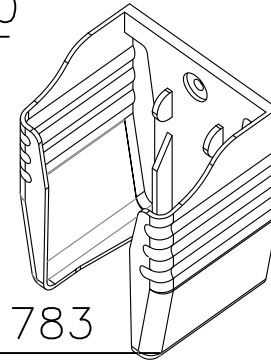
control panel
S 20 910 838



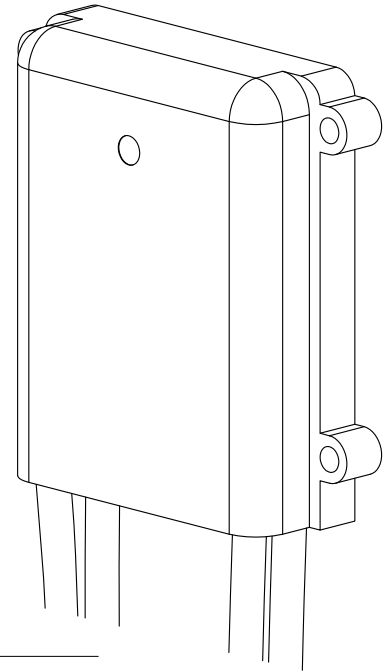
3-button-
hand control box
S 20 907 200



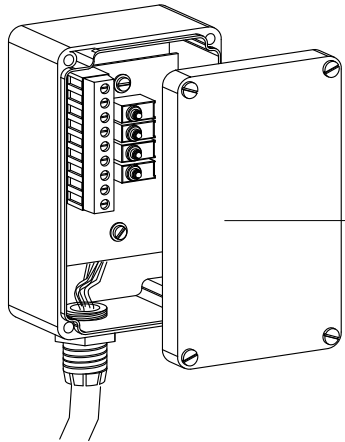
holder
S 22 905 783



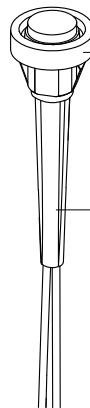
control unit series 10
12V / 24V
S 20 909 783



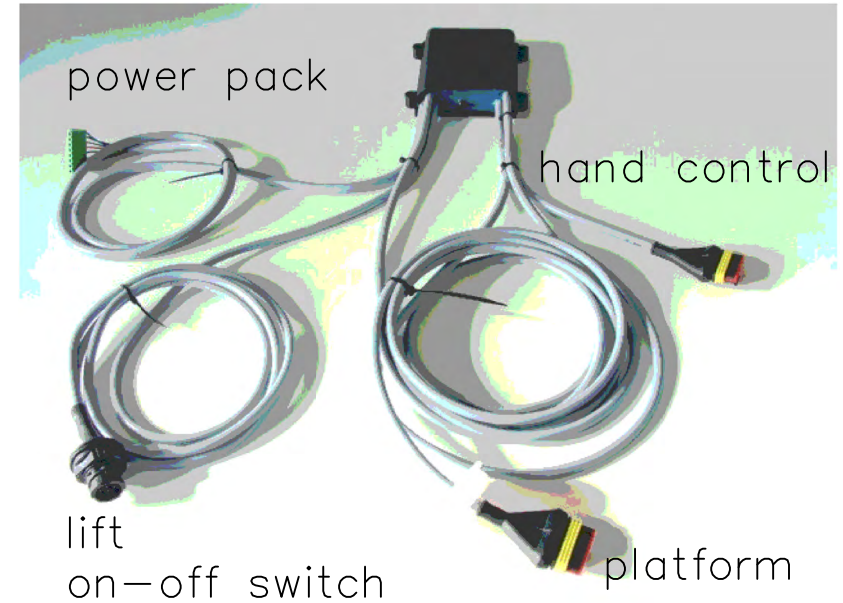
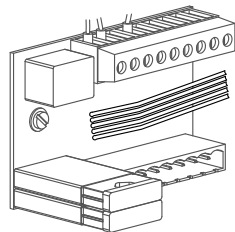
service switch
with housing
S 20 909 511



on-off switch
S 20 906 974



wire
S 20 906 975



power pack

hand control

lift
on-off switch

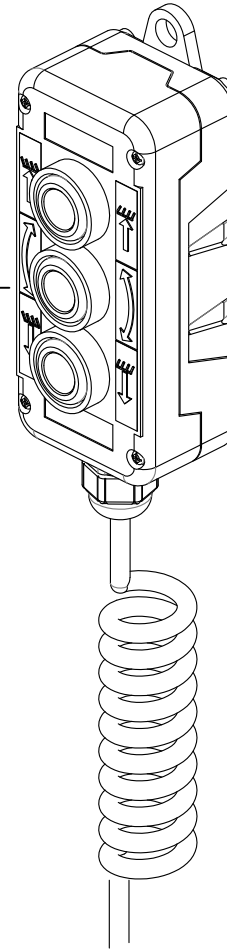
platform

MAXON®

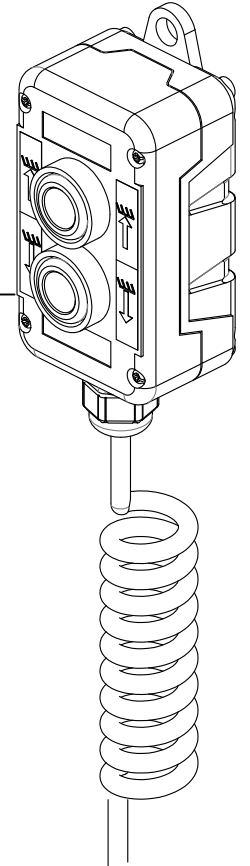
GPC X1 LDF

Hand held control

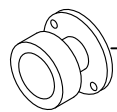
3-button-
hand control box
S 20 907 200



2-button-
hand control box
S 20 906 733

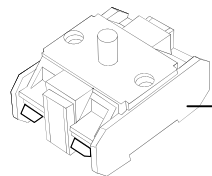


spare parts:



push button

White S 22 905 778
Grey S 22 905 779
Black S 22 905 780



contact

S 22 905 782

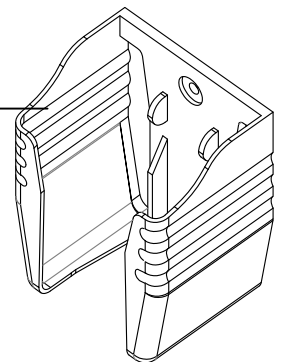
cable spirale

S 22 905 781



holder

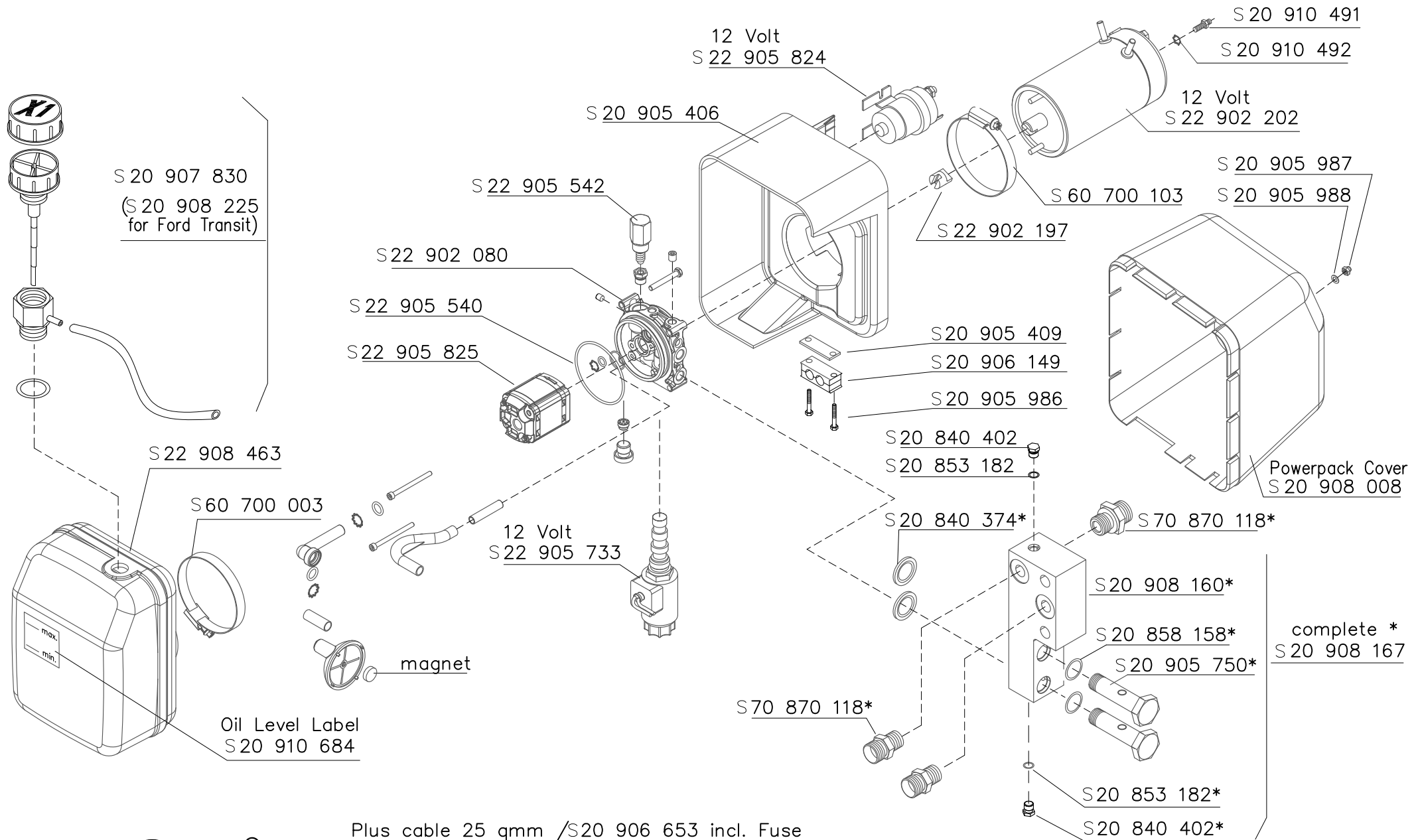
S 22 905 783



MAXON®

GPC X1 LD / LDF

S 20 908 165 Powerpack 12 Volt

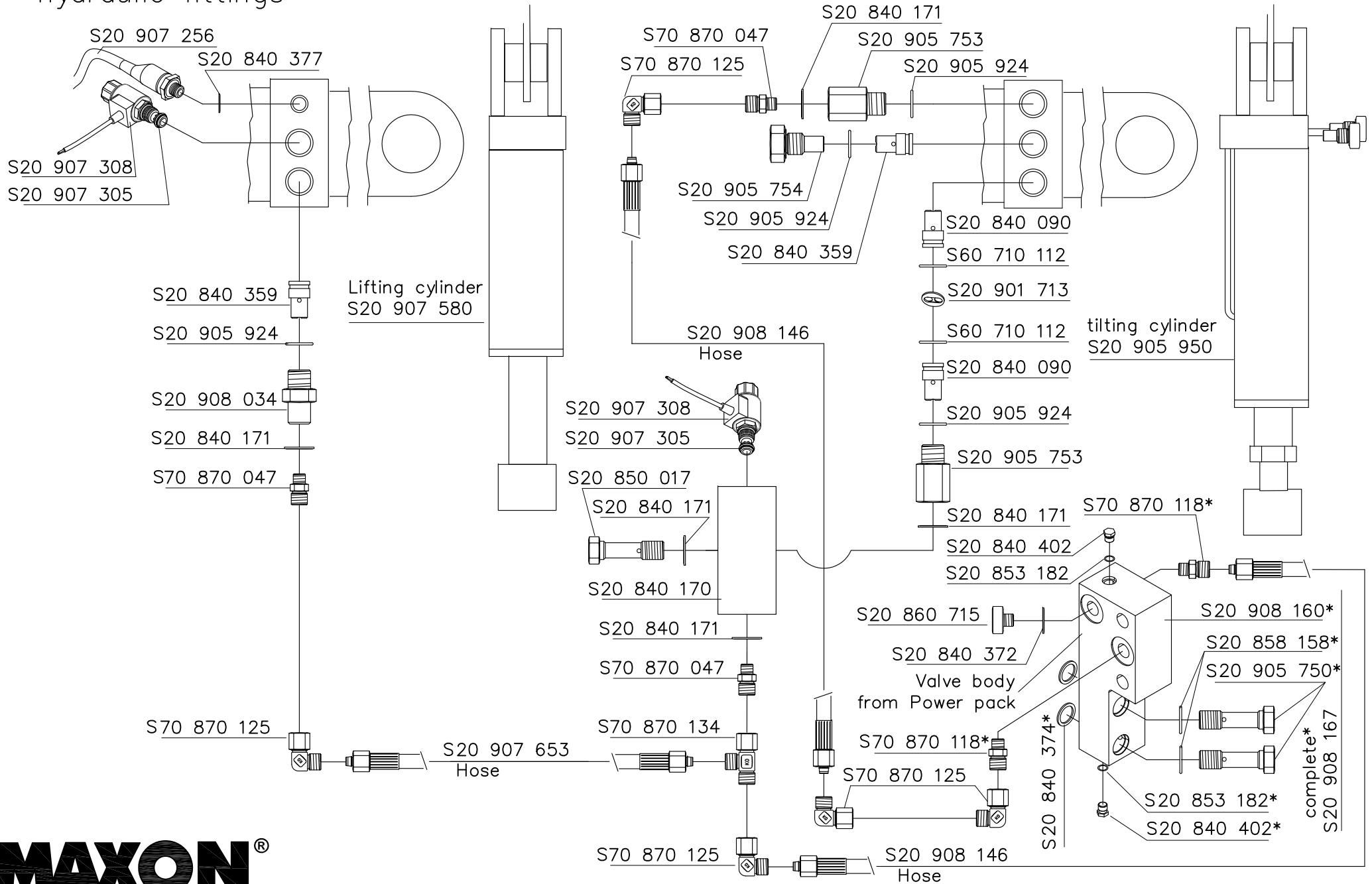


Plus cable 25 qmm /S20 906 653 incl. Fuse
Ground cable 25 qmm /S20 906 654

MAXON®

GPC X1 LDF

hydraulic fittings



GPC X1 LDF