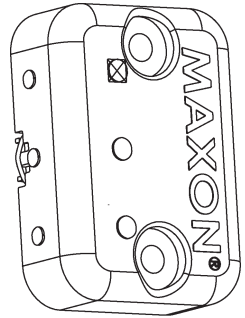


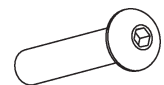
**INSTRUCTIONS, FLASHING LIGHT INSTALLATION KIT**  
**KIT P/N 286755-01**  
**(BMRSD WITH ALUMINUM FLIPOVER & FIXED RAMP)**



**FLASHING SAFETY LIGHT**  
**P/N 907150-01**  
**QTY. 2**

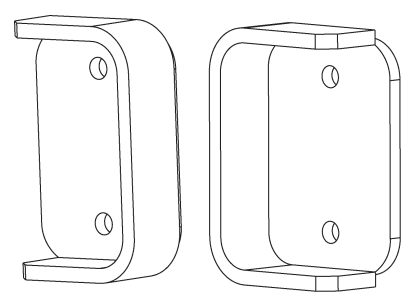


**LOCK WASHER, 1/4"**  
**P/N 902011-2**  
**QTY. 4**

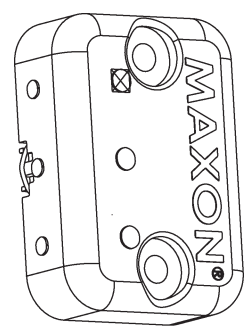


**BUTTON SCREW, 1/4"-20 X**  
**1-1/4" LG, STAINLESS STEEL**  
**P/N 900719-08**  
**QTY. 4**

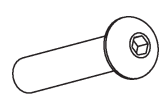
**KIT P/N 286751-01**  
**(BMR-A WITH STEEL FLIPOVER & ALUMINUM RETENTION RAMP)**



**LIGHT SUPPORT BRACKET,**  
**STAINLESS STEEL**  
**P/N 288939-02**  
**QTY. 2**



**FLASHING SAFETY LIGHT**  
**P/N 907150-01**  
**QTY. 2**

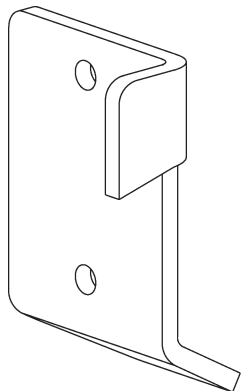


**BUTTON SCREW, 1/4"-20 X 1-1/4"**  
**LG, STAINLESS STEEL**  
**P/N 900719-08**  
**QTY. 4**

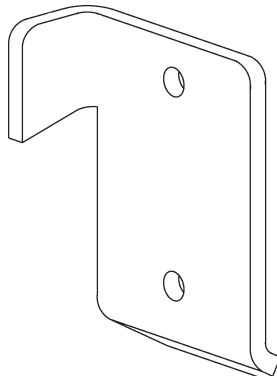


**LOCK NUT, 1/4"-20, NYLON**  
**P/N 901000**  
**QTY. 4**

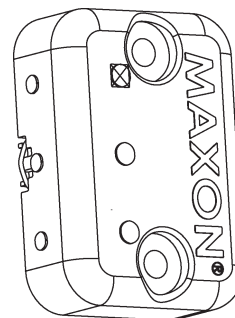
**KIT P/N 287114-01  
(BMR-A WITH STEEL FLIPOVER & FIXED RAMP )**



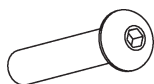
**LH LIGHT BRACKET,  
STAINLESS STEEL  
P/N 287462-12  
QTY. 1**



**RH LIGHT BRACKET,  
STAINLESS STEEL  
P/N 287462-11  
QTY. 1**



**FLASHING SAFETY LIGHT  
P/N 907150-01  
QTY. 2**

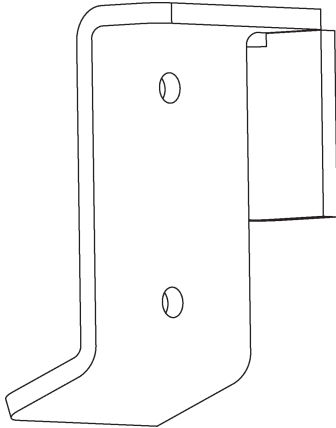


**BUTTON SCREW, 1/4"-20 X 1-1/4" LG,  
STAINLESS STEEL  
P/N 900719-08  
QTY. 4**

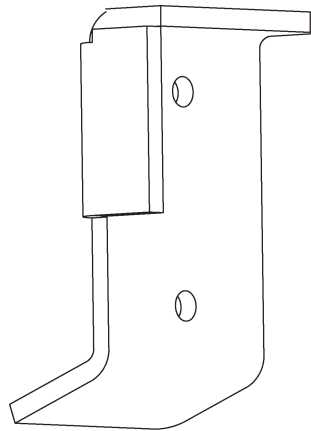


**LOCK NUT, 1/4"-20, NYLON  
P/N 901000  
QTY. 4**

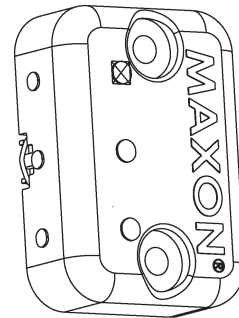
**KIT P/N 287126-01  
(BMR-A WITH STEEL FLIPOVER & FIXED RAMP,  
SINGLE & DUAL CART STOPS)**



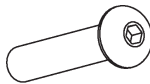
**LH LIGHT BRACKET,  
STAINLESS STEEL  
P/N 287115-02  
QTY. 1**



**RH LIGHT BRACKET,  
STAINLESS STEEL  
P/N 287115-01  
QTY. 1**



**FLASHING SAFETY LIGHT  
P/N 907150-01  
QTY. 2**



**BUTTON SCREW, 1/4"-20 X 1-1/4" LG,  
STAINLESS STEEL  
P/N 900719-08  
QTY. 4**



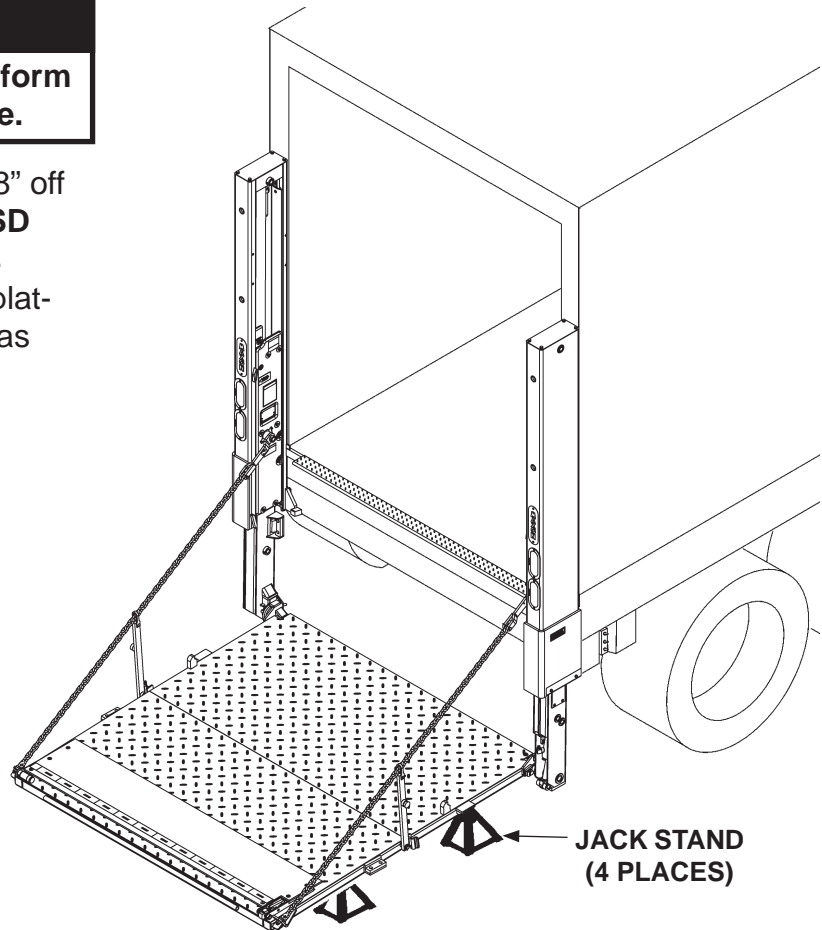
**LOCK NUT, 1/4"-20, NYLON  
P/N 901000  
QTY. 4**

## PREPARE LIFTGATE

### **⚠ WARNING**

Use jack stands to support platform while performing this procedure.

1. Unfold and lower platform about 18" off the ground. Refer to **BMRA/BMRSD Operation Manual** for instructions about operating Liftgate. Support platform and flipover with jack stands as shown in **FIG. 4-1**.



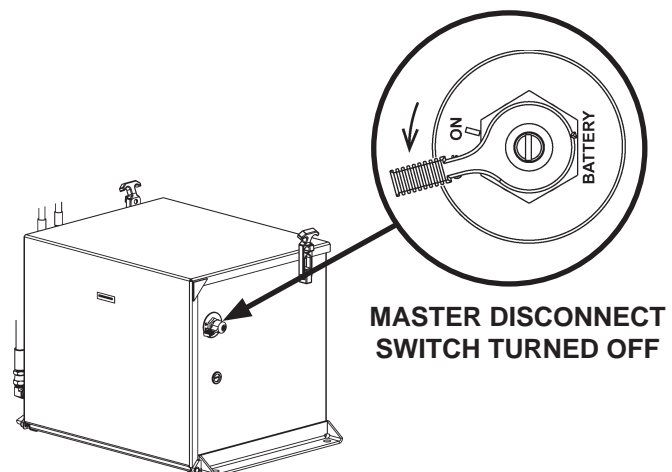
**PLATFORM WITH RETENTION RAMP UNFOLDED & LOWERED ON JACK STANDS**

**FIG. 4-1**

### **⚠ WARNING**

To prevent possible injury, ensure Liftgate cannot be operated while kit is being installed. Turn **OFF** master disconnect switch before installing the parts from kit.

2. Disconnect battery power from pump by turning **OFF** master disconnect switch (**FIG. 4-2**).



**MASTER DISCONNECT SWITCH TURNED OFF**

**DISCONNECTING BATTERY POWER AT PUMP BOX**

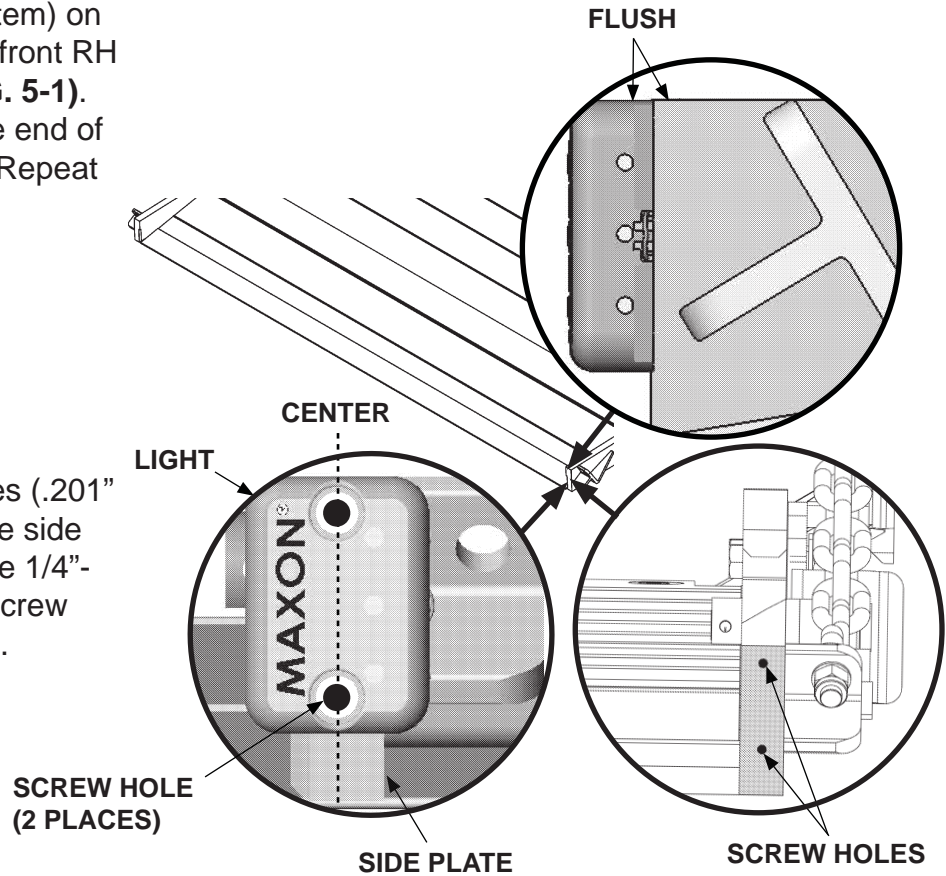
**FIG. 4-2**

**NOTE:** The following are instructions for installing 4 different kits. Follow the instructions that apply to your kit and type of flipover.

**KIT P/N 286755-01 (BMRSD WITH ALUMINUM FLIPOVER & FIXED RAMP)**

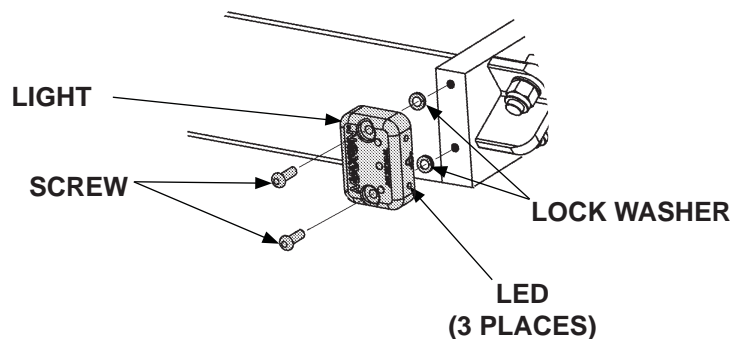
1. Center flashing light (Kit item) on the end of the side plate, front RH corner of the flipover (**FIG. 5-1**). Mark the two holes on the end of the side plate (**FIG. 5-1**). Repeat for LH side.

2. Using a # 7 bit, drill 2 holes (.201" hole size) in the end of the side plate (**FIG. 5-1**). Then, use 1/4"-20 tap to thread the two screw holes. Repeat for LH side.



**POSITIONING LIGHT ON ALUMINUM FIXED RAMP**  
**FIG. 5-1**

3. Position flashing light with the 3 LED's facing outboard (**FIG. 5-2**). Then, bolt flashing light to end of side plate with two 1/4"-20 button head screws and lock washers (Kit items) as shown in **FIG. 5-2**. Repeat for LH side.



**BOLTING LIGHT TO ALUMINUM FIXED RAMP**  
**FIG. 5-2**

**KIT P/N 286751-01 (BMR-A WITH STEEL FLIPOVER & ALUMINUM RETENTION RAMP)**

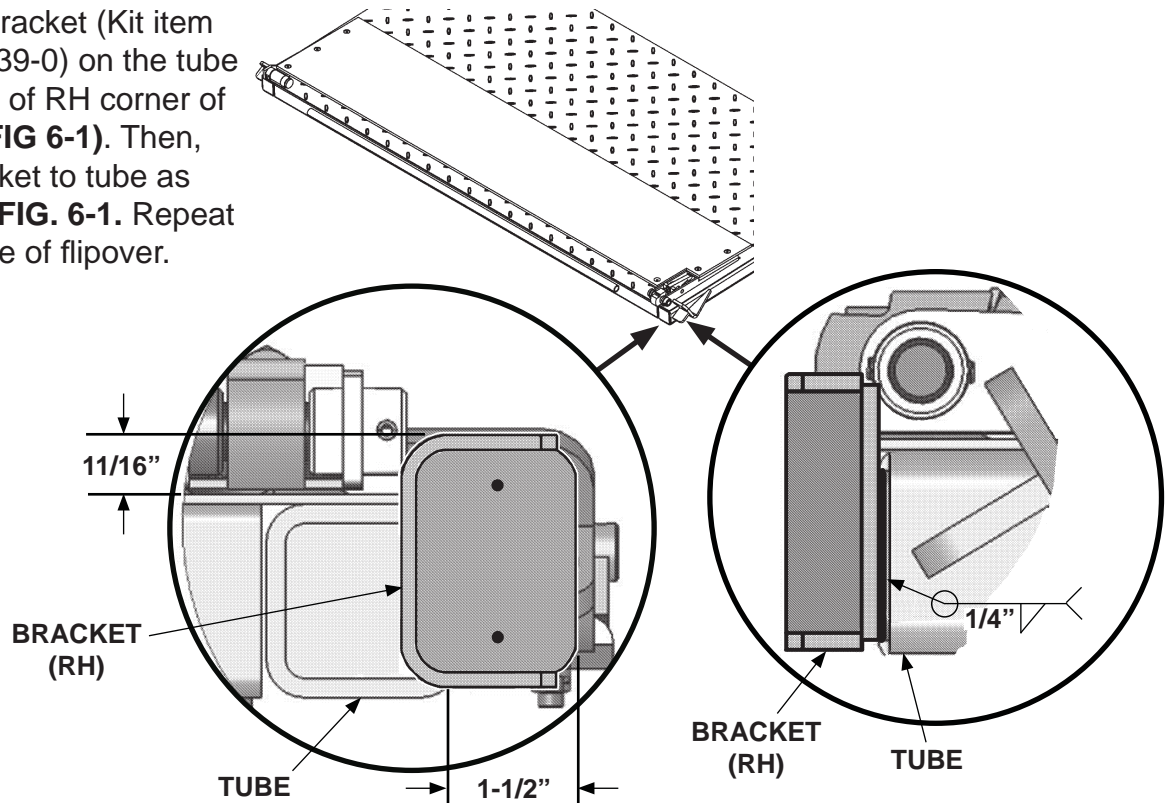
**CAUTION**

To protect the original paint system, a 3" wide area of paint must be removed from all sides of the weld area before welding.

**⚠ WARNING**

Welding on galvanized parts gives off especially hazardous fumes. To minimize hazard remove galvanizing from weld area, provide adequate ventilation, and wear suitable respirator.

1. Position bracket (Kit item P/N 288939-0) on the tube at outside of RH corner of flipover (**FIG 6-1**). Then, weld bracket to tube as shown in **FIG. 6-1**. Repeat for LH side of flipover.



**WELDING BRACKET TO STEEL FLIPOVER  
(RH SIDE SHOWN)  
FIG. 6-1**

2. Allow welds to cool. Then touch up the paint using aluminum primer touchup paint kit, P/N 908134-01 for painted platform. Use cold galvanized spray P/N 908000-01 for galvanized platforms.

**KIT P/N 287114-01 (BMR-A WITH STEEL FLIPOVER & FIXED RAMP)**

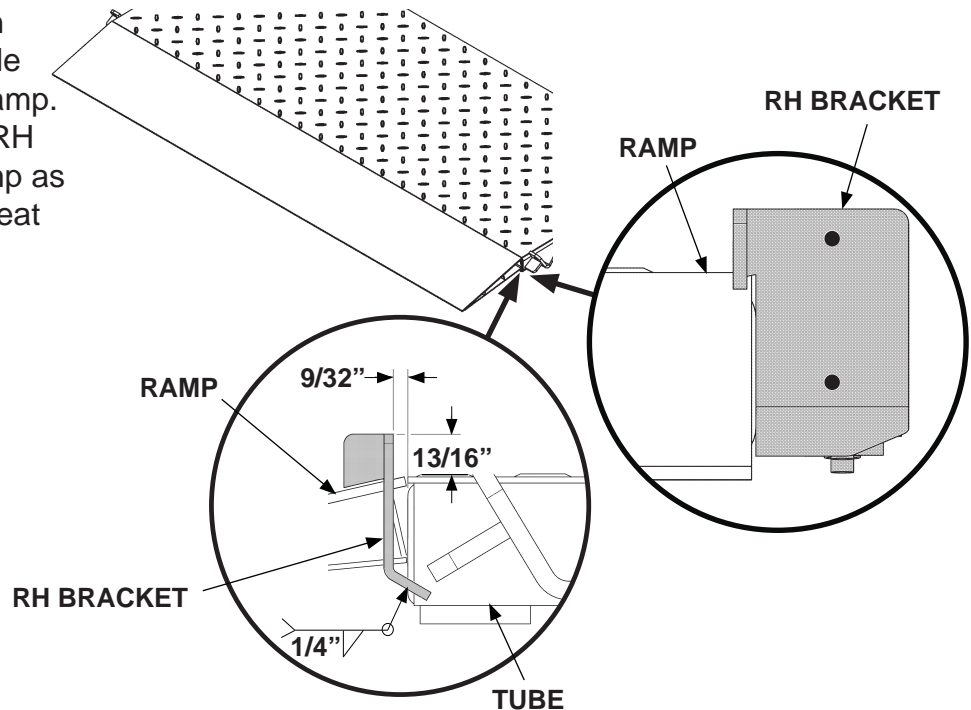
**CAUTION**

To protect the original paint system, a 3" wide area of paint must be removed from all sides of the weld area before welding.

**⚠ WARNING**

Welding on galvanized parts gives off especially hazardous fumes. To minimize hazard remove galvanizing from weld area, provide adequate ventilation, and wear suitable respirator.

1. Position RH bracket (Kit item P/N 287462-11) on tube and ramp at outside corner of flipover and ramp. **(FIG. 7-1)**. Then, weld RH bracket to tube and ramp as shown in **FIG. 7-1**. Repeat for LH side.



**WELDING BRACKETS TO STEEL FLIPOVER WITH FIXED RAMP**  
**FIG. 7-1**

2. Allow welds to cool. Then touch up the paint using aluminum primer touchup paint kit, P/N 908134-01 for painted platform. Use cold galvanized spray P/N 908000-01 for galvanized platforms.

**KIT P/N 287126-01**

**(BMR-A WITH STEEL FLIPOVER, FIXED RAMP, SINGLE & DUAL CART STOPS)**

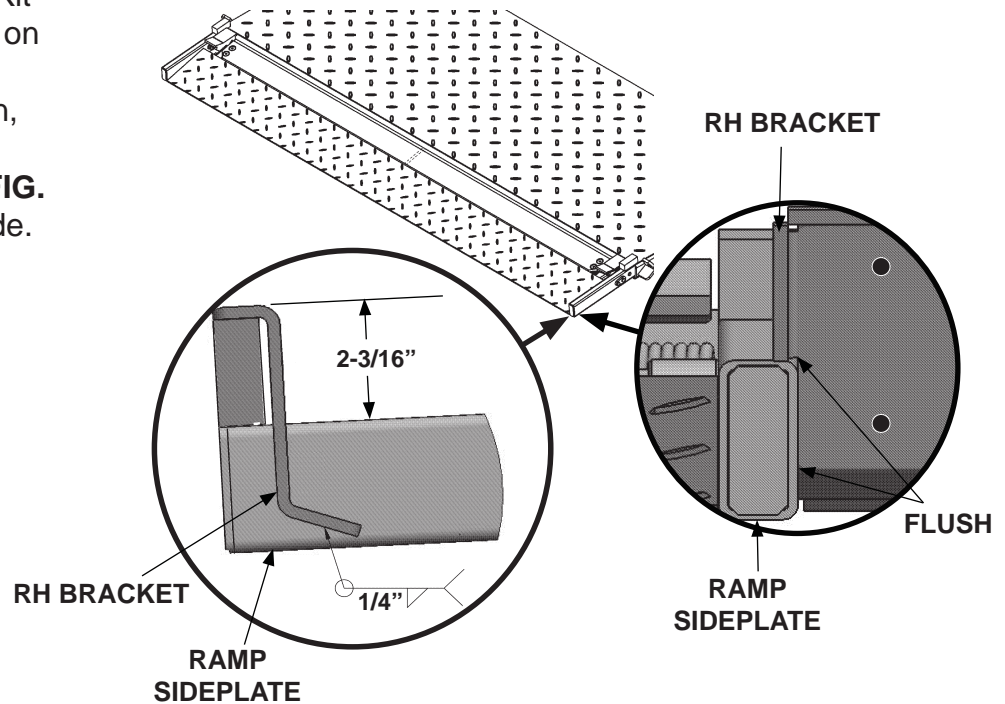
**CAUTION**

To protect the original paint system, a 3" wide area of paint must be removed from all sides of the weld area before welding.

**⚠ WARNING**

Welding on galvanized parts gives off especially hazardous fumes. To minimize hazard remove galvanizing from weld area, provide adequate ventilation, and wear suitable respirator.

1. Position RH bracket (Kit item, P/N 287115-01) on outside corner of side plate. (**FIG. 8-1**). Then, weld RH bracket to flipover as shown in **FIG. 8-1**. Repeat for LH side.



**WELDING RH BRACKET TO STEEL FLIPOVER WITH  
FIXED RAMP AND CART STOPS**

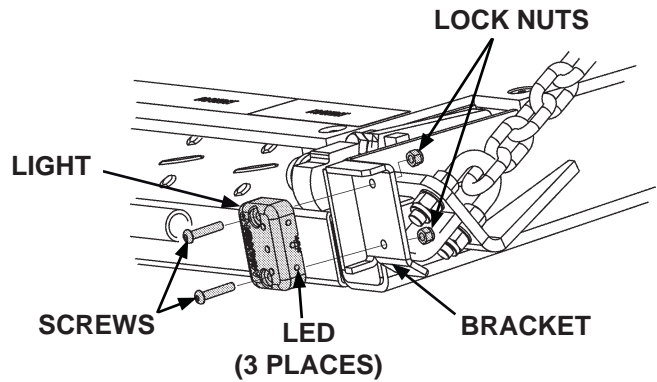
**FIG. 8-1**

2. Allow welds to cool. Then touch up the paint using aluminum primer touchup paint kit, P/N 908134-01 for painted platform. Use cold galvanized spray P/N 908000-01 for galvanized platforms.



### BOLT LIGHTS TO BRACKETS

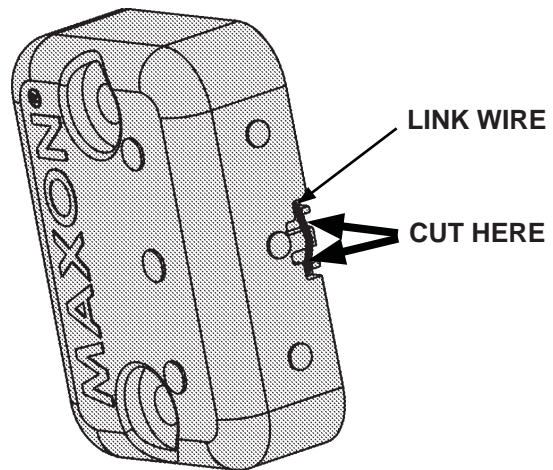
Position flashing light on RH bracket so that LED's and link wire face outward as shown in **FIG. 9-1**. Bolt flashing light to bracket, using button head screws and lock nuts (Kit items). Repeat for LH side.



**BOLTING LIGHT TO RH BRACKET**  
**FIG. 9-1**

### ACTIVATE LIGHTS

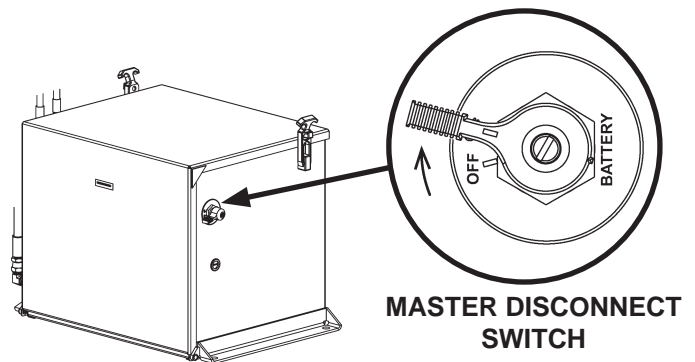
To activate flashing light, cut wire from the center of the link wire as shown in **FIG. 9-2**.



**ACTIVATING FLASHING LIGHT**  
**FIG. 9-2**

### RESTORE POWER

Reconnect battery power to pump by turning **ON** master disconnect switch (**FIG. 9-3**).



**RECONNECTING BATTERY POWER AT PUMP BOX**  
**FIG. 9-3**