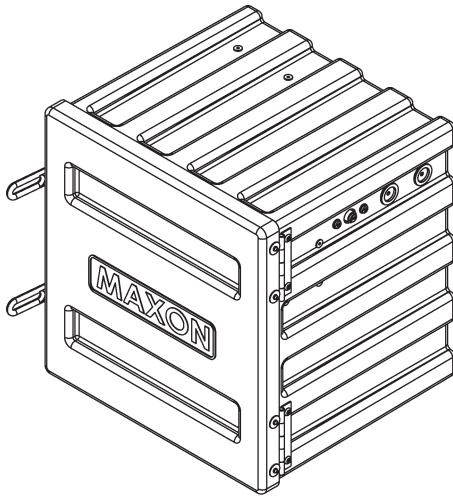
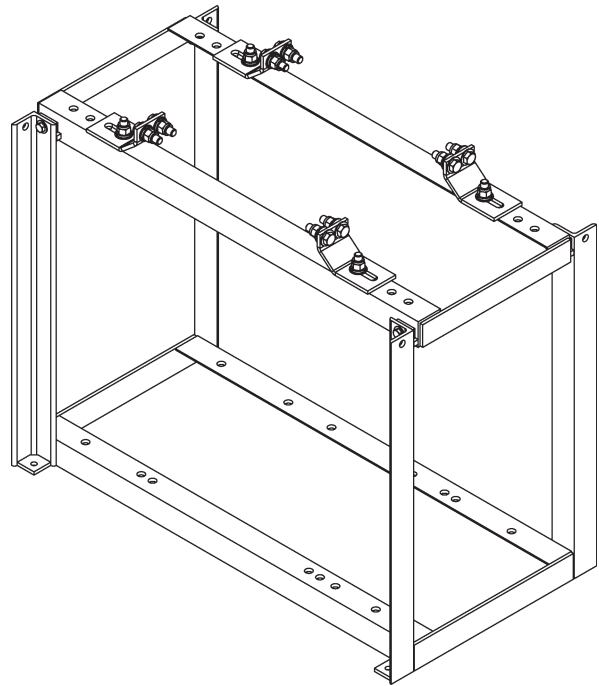


INSTRUCTION, BATTERY BOX AND FRAME INSTALLATION KIT

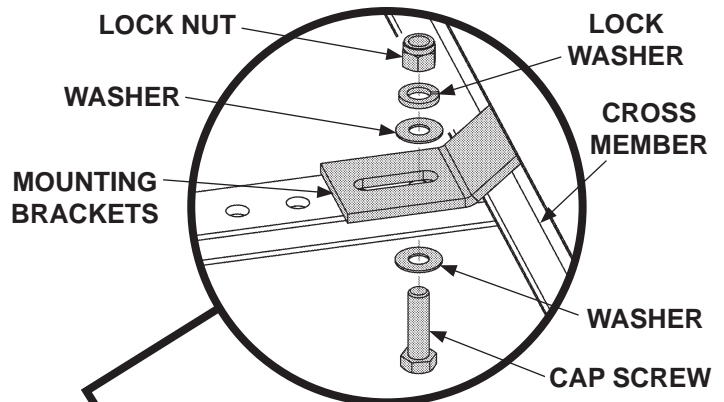


BATTERY BOX ASSEMBLY
P/N 269560-01
QTY. 1

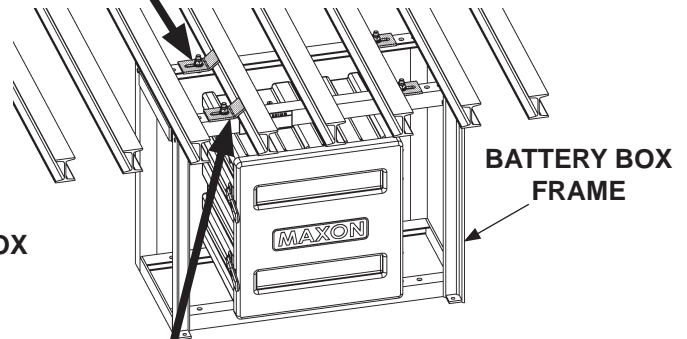


SINGLE FRAME ASSEMBLY
P/N 285720-11
P/N 285720-11G (GALVANIZED)
QTY. 1

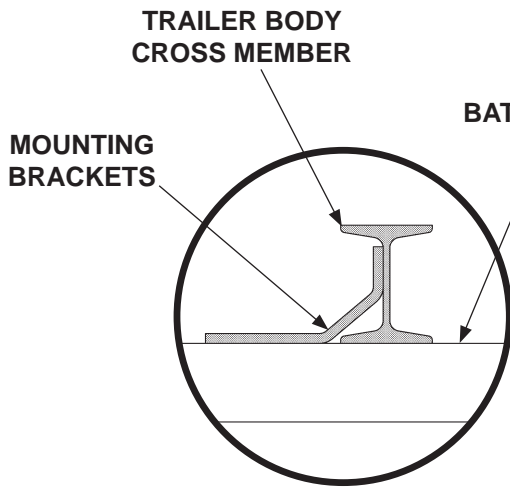
1. Select holes on top of battery box frame to align mounting brackets flush to cross members. Refer to **FIGS. 2-1A & 2-1B** for trailers and **FIG. 2-2** for trucks. Bolt mounting brackets to battery box frame as shown in **FIG. 2-1C**. Torque each bolt and lock nut to **85-128 lb-ft.**



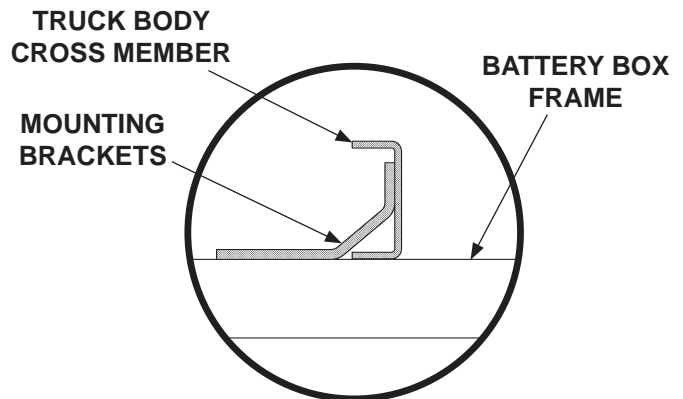
**BOLTING BRACKETS
(8 PLACES)
FIG. 2-1C**



**ALIGNING BATTERY
BOX FRAME
(TRAILER SHOWN)
FIG. 2-1A**



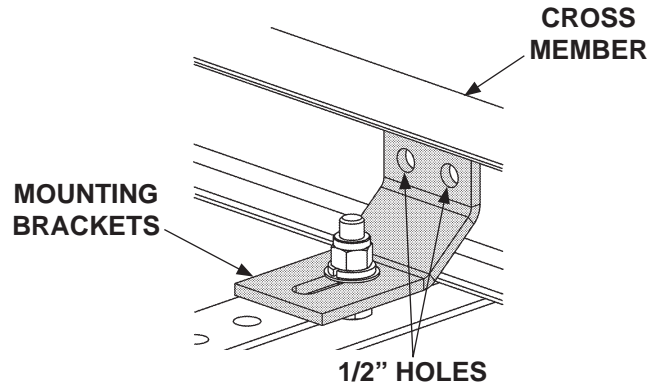
**FLUSH BRACKETS
FOR TRAILERS
(8 PLACES)
FIG. 2-1B**



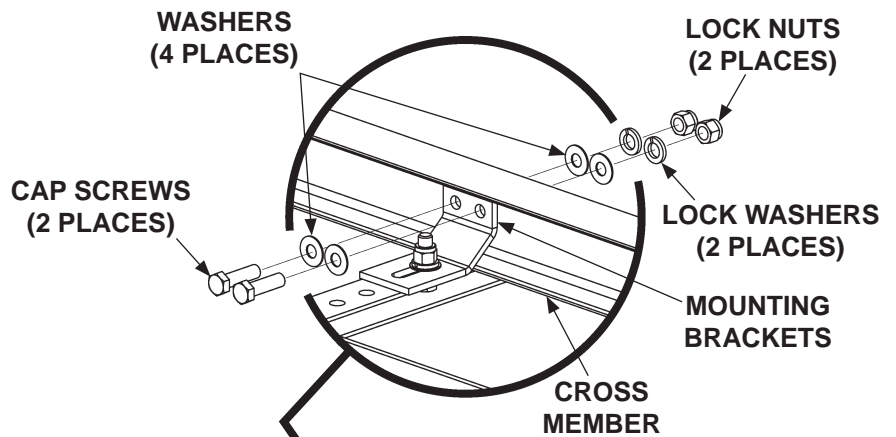
**FLUSH BRACKETS FOR TRUCKS
(8 PLACES)
FIG. 2-2**

NOTE: If welding mounting brackets to cross members, skip instruction 2.

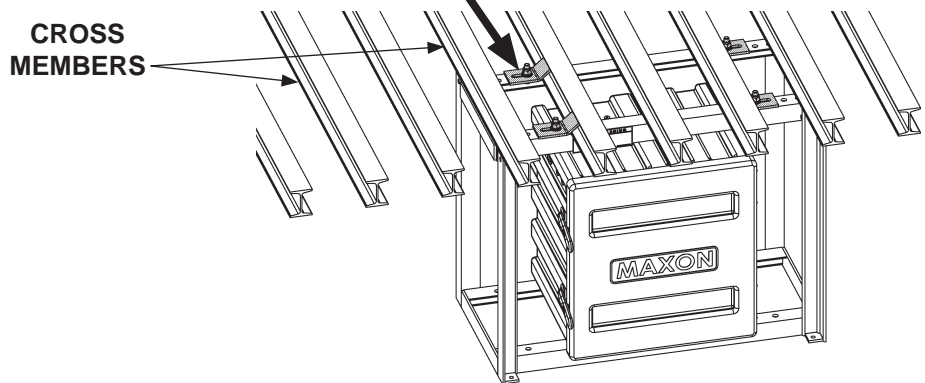
- Using mounting brackets as a template mark and drill holes through cross members (**FIG. 3-1**). Bolt mounting brackets to cross members as shown in **FIGS. 3-2A and 3-2B**. Torque bolts and lock nuts to 85-128 lb-ft.



**MARK AND DRILL
FIG. 3-1**



**BOLTING BRACKETS
(8 PLACES)
FIG. 3-2B**



**BOLTING BATTERY BOX FRAME
FIG. 3-2A**

! WARNING

Recommended practices for welding on steel parts are contained in the current AWS (American Welding Society) D1.1 Structural Welding Code - Steel. Damage to Liftgate and/or vehicle, and personal injury can result from welds that are done incorrectly.

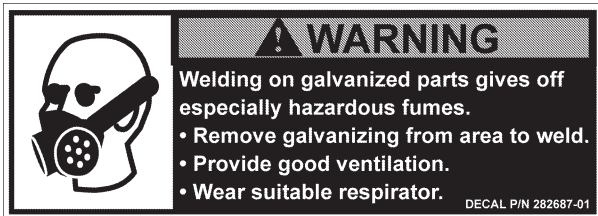
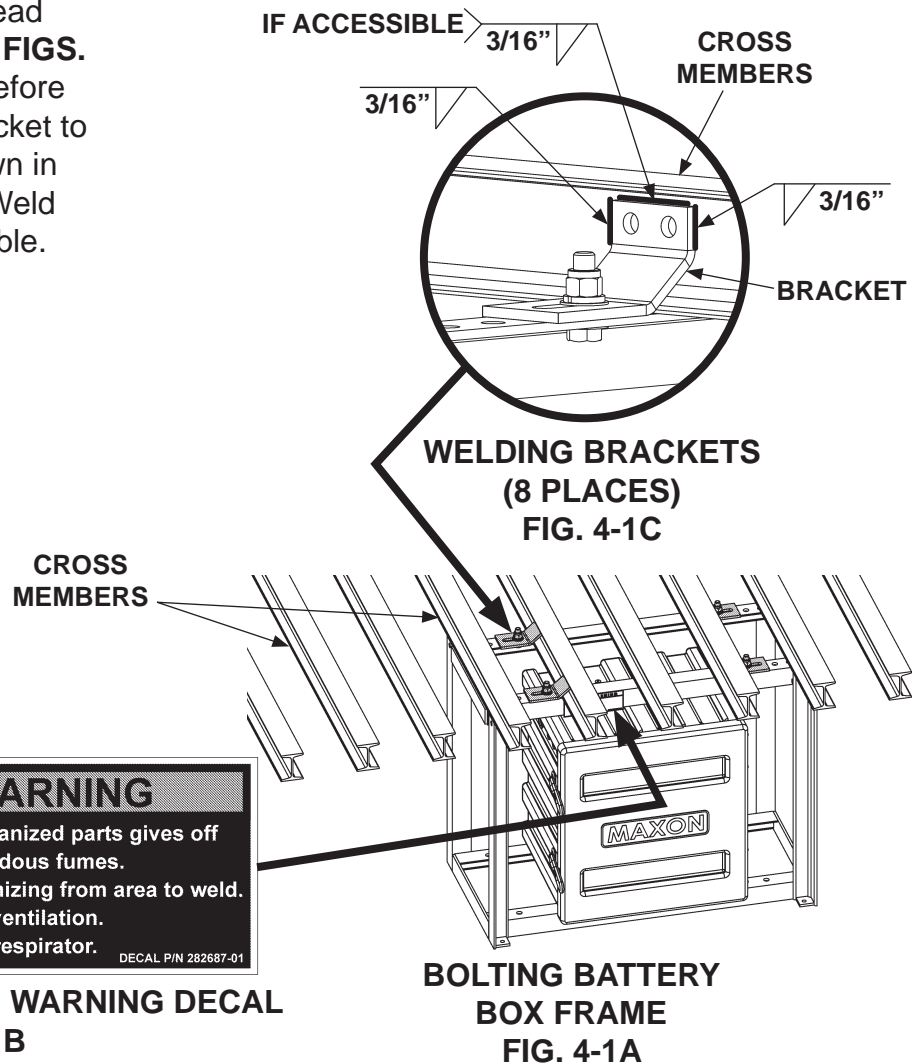
CAUTION

To prevent pump box components from being damaged by electric current from welding, connect welder grounding cable to the part being welded.

CAUTION

Cover battery box with flame-resistant covering before welding pump box frame to vehicle.

- For galvanized frame, read warning decal shown in **FIGS. 4-1A and FIGS. 4-1B** before welding. Weld each bracket to cross members as shown in **FIGS. 4-1A and 4-1C**. Weld top of bracket if accessible.



WELDING GALVANIZED, WARNING DECAL FIG. 4-1B

⚠ WARNING

Remove all rings, watches and jewelry before doing any electrical work.

NOTE: Always connect fused end of power cable to battery positive (+) terminal.

NOTE: To connect charge lines, refer to instructions provided with each charge line kit.

NOTE: MAXON recommends using dielectric grease on all electrical connections.

- Connect battery cables, fused cables, and ground cables as shown in **FIG. 5-1**.

ELECTRICAL COMPONENTS - BATTERY BOX

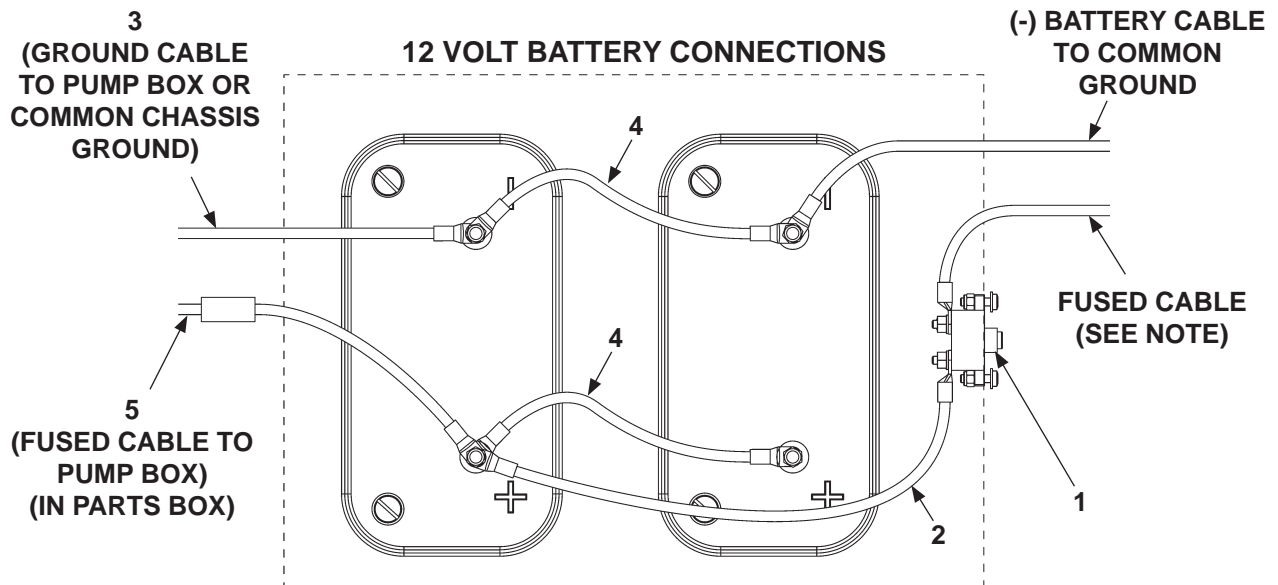
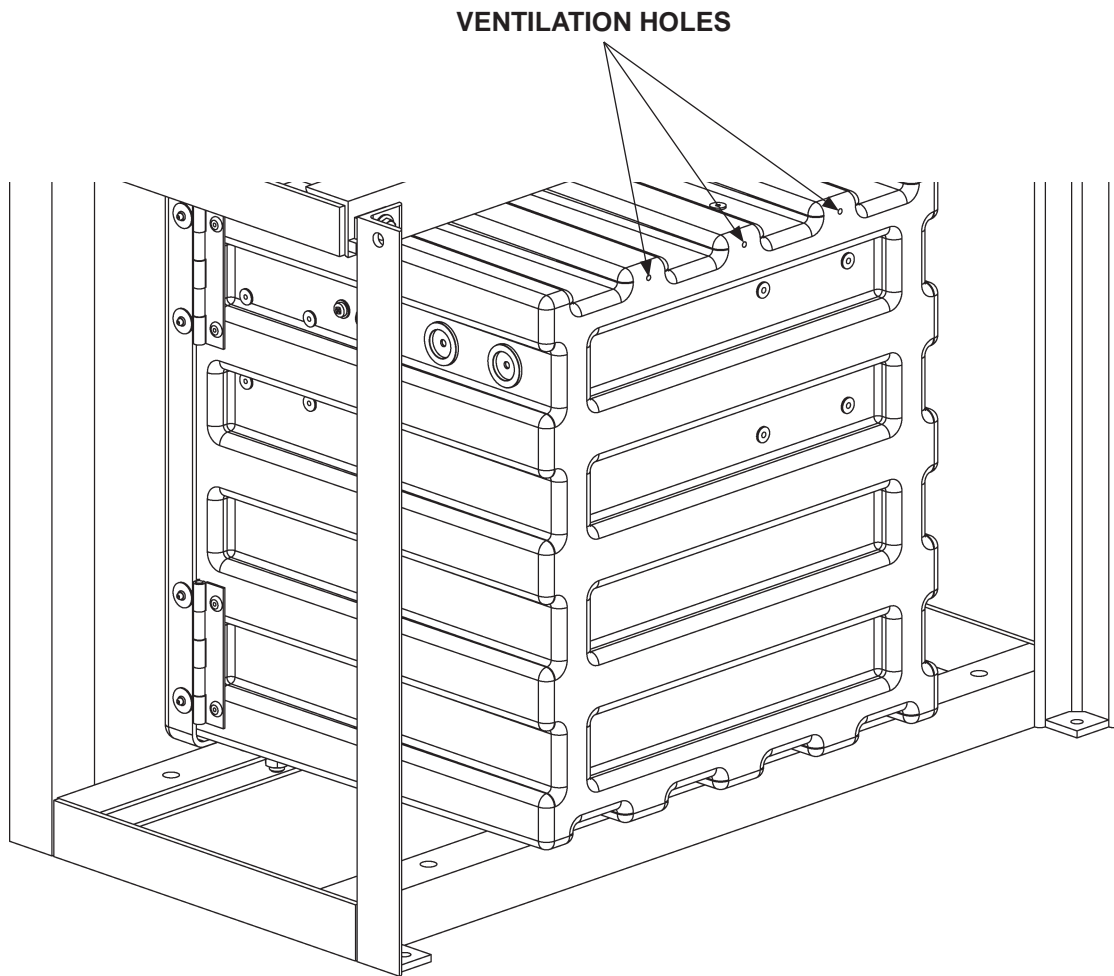


FIG. 5-1

ITEM	QTY	PART NO.	DESCRIPTION
1	1	221736	CIRCUIT BREAKER 150 AMP
2	1	268226-07	CABLE ASSEMBLY, 2 GA, 18" LG.
3	1	268226-06	CABLE ASSEMBLY, 2 GA, 74" LG.
4	2	251871-14	CABLE ASSEMBLY, 2 GA, 10" LG
5	1	285487-02	CABLE ASSEMBLY, 2 GA, 200 AMP, 42" LG.

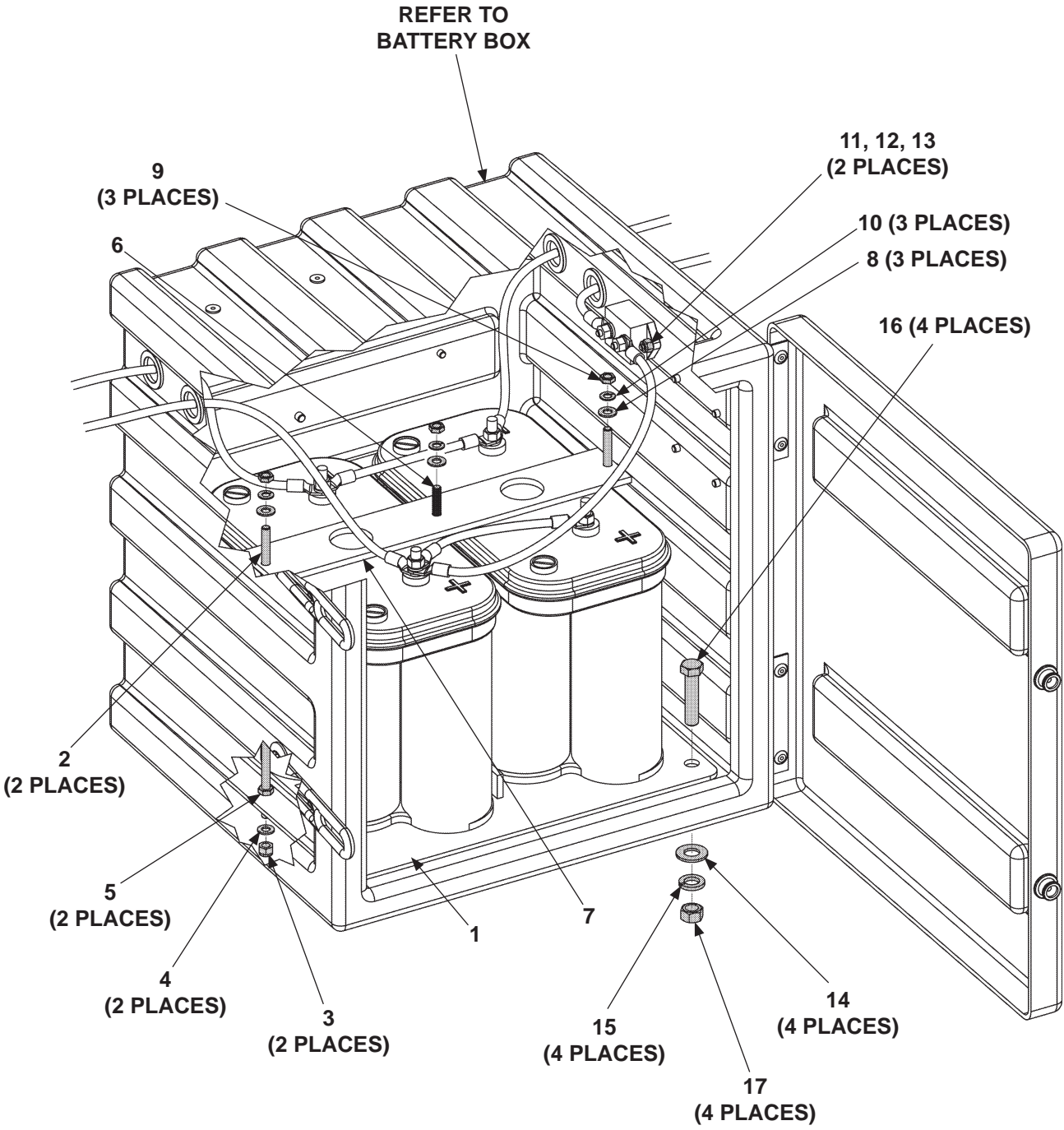
⚠ WARNING

Explosive hydrogen gas from charging batteries can accumulate in battery box if not vented from the box. To prevent hydrogen gas from accumulating, ensure the 3 ventilation holes in battery box are not plugged or covered.



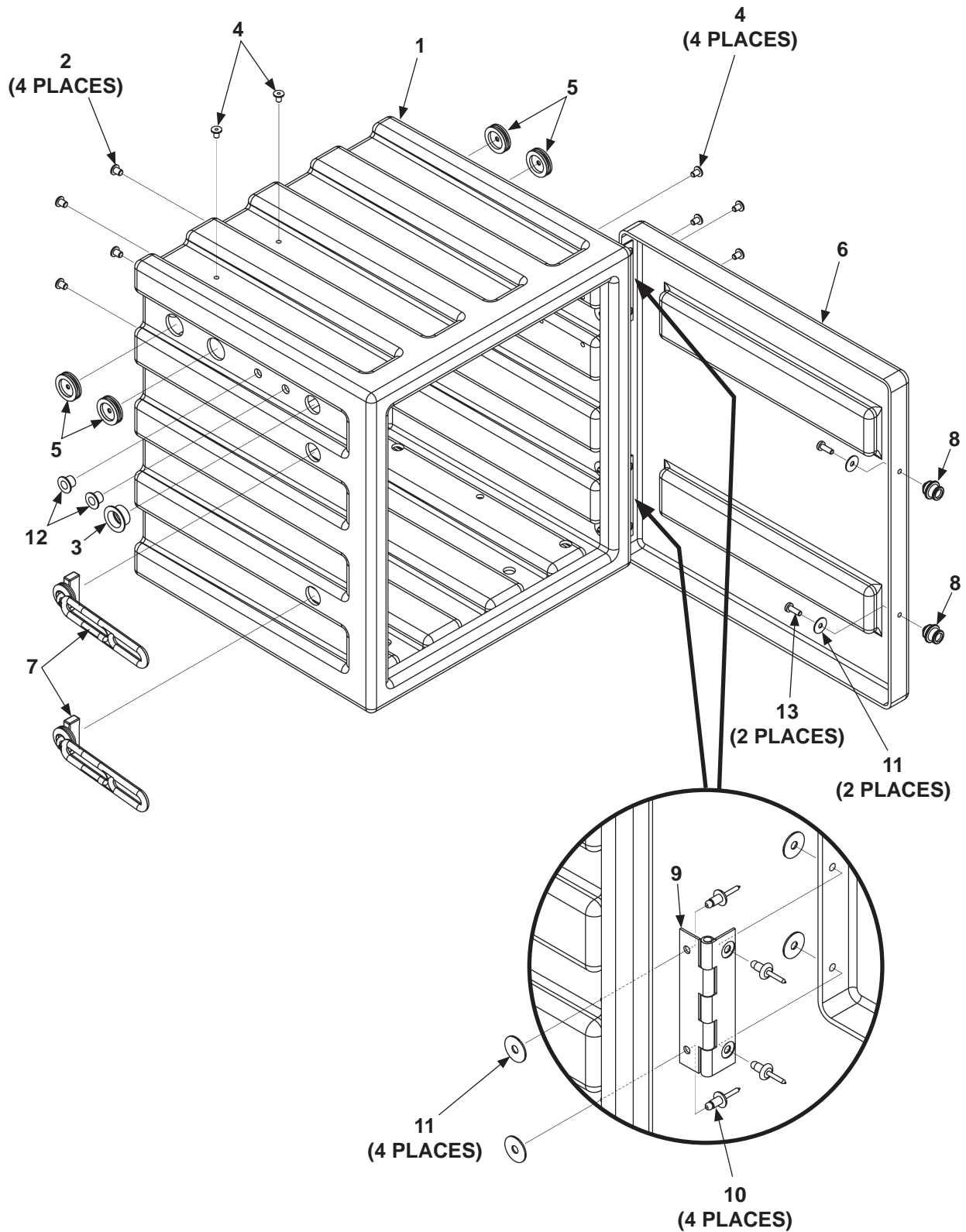
**BATTERY BOX ASSEMBLY
(REAR VIEW SHOWN)
FIG. 6-1**

BATTERY BOX ASSEMBLY



BATTERY BOX ASSEMBLY

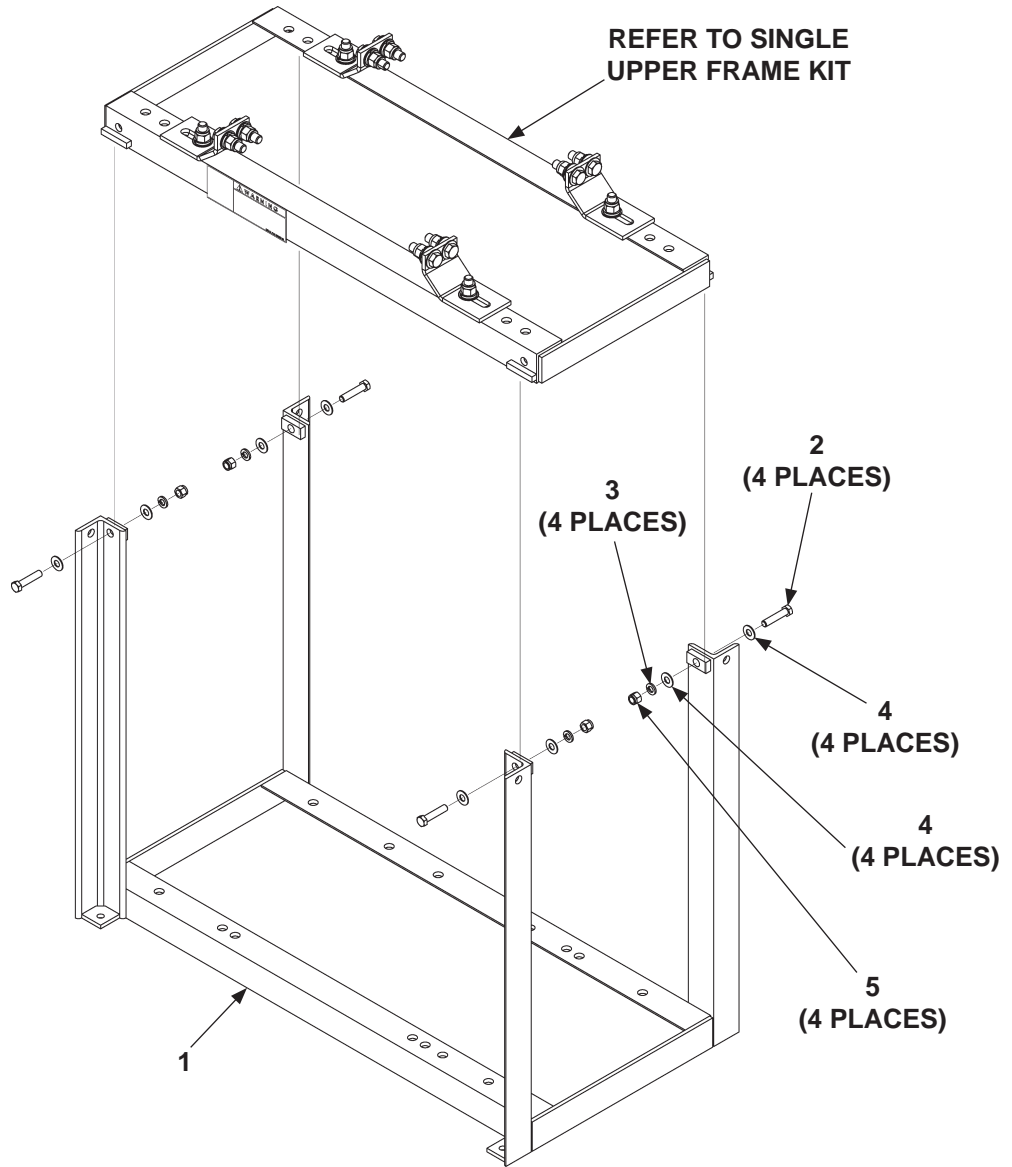
ITEM	QTY	PART NO.	DESCRIPTION
1	1	269535-01G	BATTERY MOUNT PLATE WELDMENT, GALVANIZED
2	2	269533-01	ROD, BATTERY HOLD DOWN
3	2	903106-10	LOCK NUT, 5/16"-18, STAINLESS STEEL
4	2	903434-09	FLAT WASHER, M8, STAINLESS STEEL
5	2	030347	HEX NUT, 5/16-18
6	1	227722-01	ROD, L-SHAPE BATTERY HOLD DOWN
7	1	250479	BRACKET (BATTERY HOLD DOWN)
8	3	902013-10	FLAT WASHER, 5/16"
9	3	901005	HEX NUT, 5/16"-18, GR8
10	3	902011-3	LOCK WASHER, #10
11	2	902013-09	FLAT WASHER, 1/4"
12	2	900002-4	PAN HEAD SCREW, 1/4"-20 X 1 LG.
13	2	901000	LOCK NUT, 1/4"-20
14	4	902013-14	FLAT WASHER, 9/16"
15	4	902011-7	LOCK WASHER, 9/16"
16	4	900033-6	CAP SCREW, 1/2"-20 X 2-1/4" LG., GR8
17	4	901011-10	HEX NUT, 1/2"-20

BATTERY BOX

BATTERY BOX

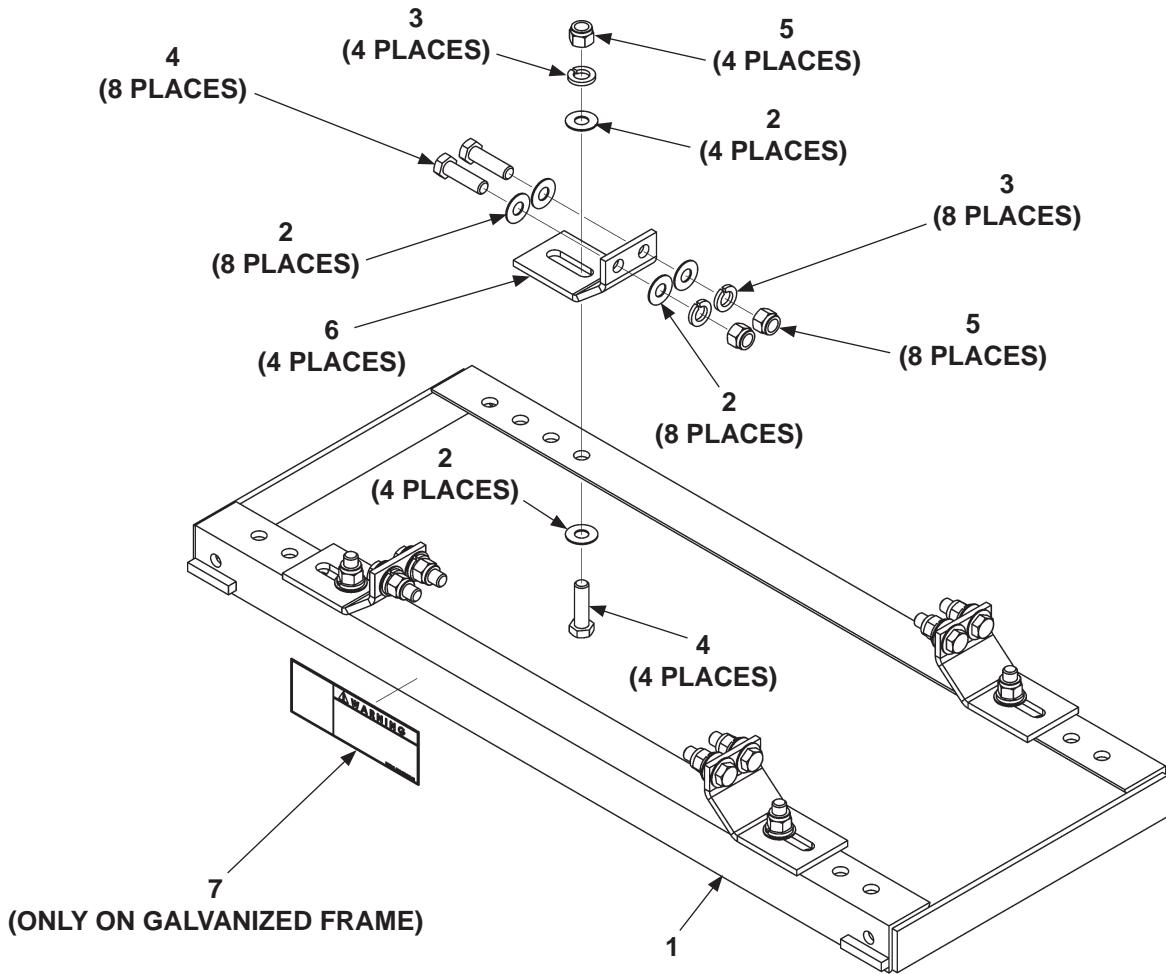
ITEM	QTY	PART NO.	DESCRIPTION
REF	1	269561-01	BATTERY BOX
1	1	269526-01	BOX
2	4	908022-03	PLUG, 3/8"
3	1	908022-08	PLUG, 1-1/16"
4	6	908022-07	PLUG, 1/4"
5	4	266428-02	GROMMET, 1"
6	1	269558-01	COVER
7	2	908193-01	RUBBER LATCH
8	2	908194-01	FASTENING KNOB
9	2	285884-01	BATTERY BOX HINGE STAINLESS STEEL
10	8	903715-03	BLIND RIVET, 1/4" X 1/4"-3/8"
11	10	903438-01	WASHER, 1/4"
12	2	908022-05	PLUG, 9/16"
13	2	900002-1	PAN HEAD SCREW, 1/4"-20 X 3/4" LG.

SINGLE FRAME ASSEMBLY



ITEM	QTY	PART NO.	DESCRIPTION
REF	1	285720-11	SINGLE FRAME ASSEMBLY
		285720-11G	SINGLE FRAME ASSEMBLY (GALVANIZED)
1	1	285724-11	SINGLE FRAME WELDMENT
		285724-11G	SINGLE FRAME WELDMENT (GALVANIZED)
2	4	900014-7	HEX HEAD CAP SCREW, 3/8"-16 X 1-3/4" LG, GR8
3	4	902011-4	LOCK WASHER, 3/8"
4	8	903409-03	FENDER WASHER, 13/32"
5	4	901002	LOCK NUT, 3/8"-16

SINGLE UPPER FRAME KIT



ITEM	QTY	PART NO.	DESCRIPTION
REF	1	285725-01	SINGLE UPPER FRAME KIT
		285725-01G	SINGLE UPPER FRAME KIT (GALVANIZED)
1	1	285726-01	SINGLE UPPER FRAME WELDMENT
		285726-01G	SINGLE UPPER FRAME WELDMENT (GALVANIZED)
2	24	903409-04	FENDER WASHER, 1/2"
3	12	902011-7	LOCK WASHER, 9/16"
4	12	900033-4	CAP SCREW, 1/2"-20 X 1-3/4" LG, GR8
5	12	901008	LOCK NUT, 1/2"-20
6	4	285837-01	MOUNTING BRACKET
7	1	282687-01	WARNING DECAL, WELD ON GALVANIZED