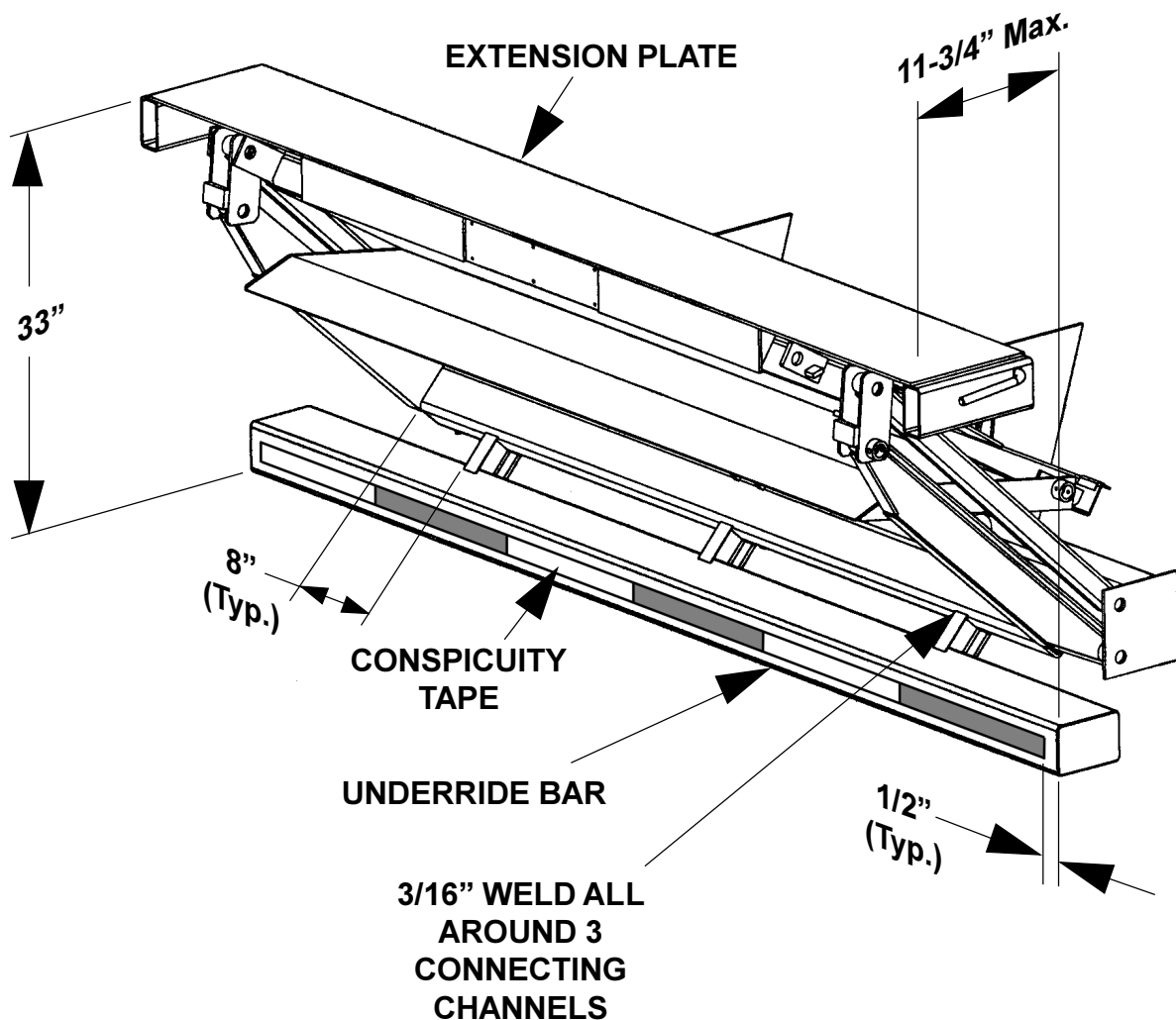


M-99-07 KIT, UNDERRIDE INSTALLATION, 72-25/30LMR P/N 264391

1. Position the Underride Bar against the horizontal tube of the Lift Frame on the Liftgate at the dimensions shown. Weld all around on all three arms.



2. Add Conspicuity Tape to the rear face of the Underride Bar. Bring the tape to within 1/2" of each end of the Underride Bar.

3. Weld Gussets (one on outside of each Mounting Plate), to the Mainframe as shown.

