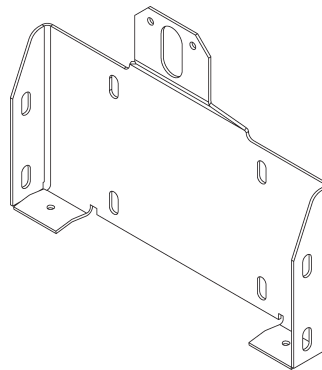


INSTRUCTION, GPT LICENSE PLATE BRACKET KIT KIT P/N 287015-01

NOTE: There are 2 methods for installing license plate bracket

1. Bolted to main frame brackets for ICC bumper, if equipped
2. Riveted to top of underride tube, if equipped

Do the procedure that applies to your GPT Liftgate.



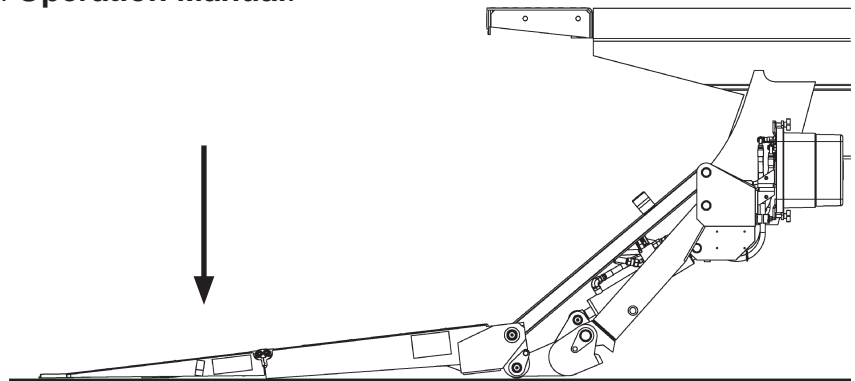
**LICENSE PLATE BRACKET
P/N 287014-01
QTY. 1**



**RIVET, STAINLESS STEEL
1/4" X 1/4" - 3/8" GRIP
P/N 903719-03
QTY. 2**

GPT EQUIPPED WITH ICC BUMPER

1. Unfold and lower platform to the ground (**FIG. 2-1**).
Refer to operating instructions in **Operation Manual**.

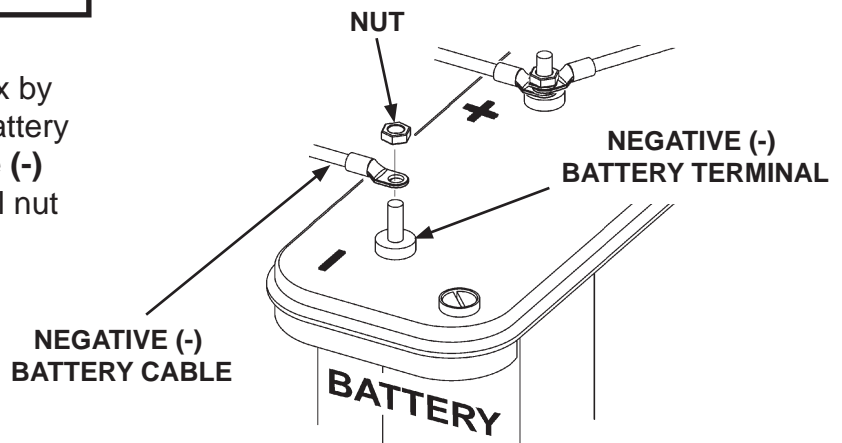


PLATFORM LOWERED TO GROUND
FIG. 2-1

⚠ WARNING

To prevent personal injury and equipment damage, disconnect the power before beginning this procedure.

2. Disconnect power from pump box by removing nut from negative (-) battery terminal and disconnect negative (-) battery cable (**FIG. 2-2**). Reinstall nut on negative (-) battery terminal.

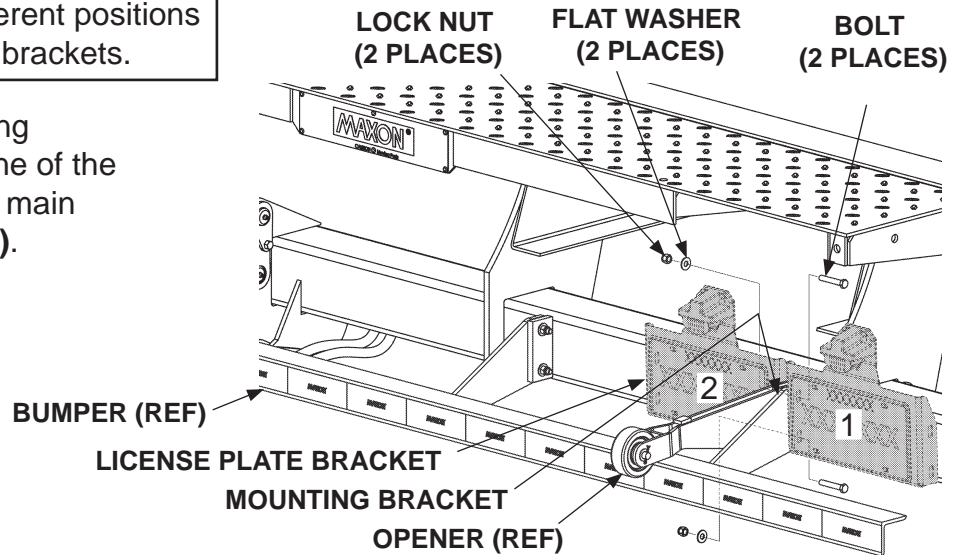


DISCONNECTING POWER
FIG. 2-2

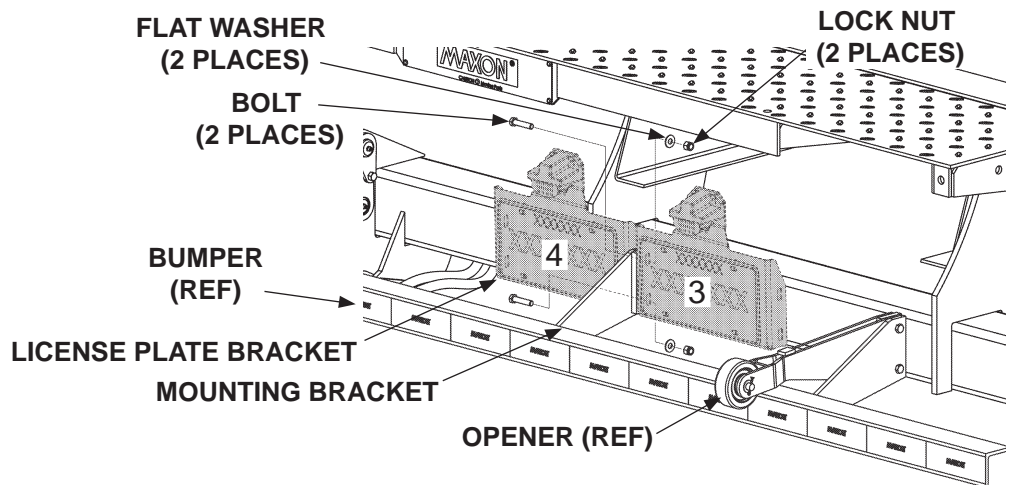
GPT EQUIPPED WITH ICC BUMPER - Continued

NOTE: License plate bracket can be installed in 4 different positions on the mounting brackets.

3. Select position for attaching license plate bracket to one of the mounting brackets on the main frame (FIGS. 3-1 and 3-2).



**BOLTING LICENSE PLATE BRACKET IN POSITIONS 1 OR 2
FIG. 3-1**

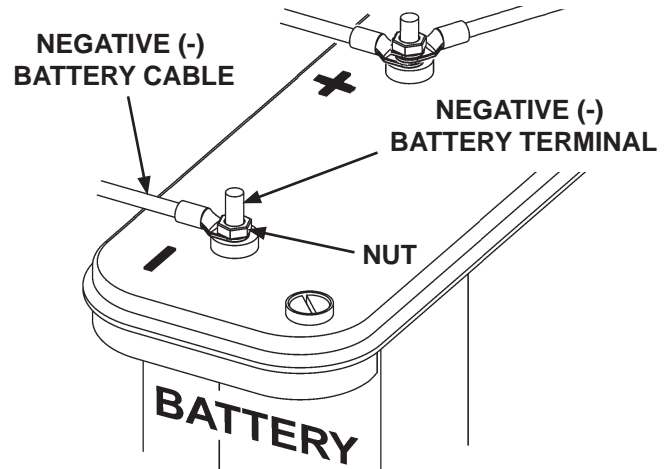


**BOLTING LICENSE PLATE BRACKET IN POSITIONS 3 OR 4
FIG. 3-2**

4. Bolt license plate bracket in position as follows.
 For positions 1 or 2 (FIG. 3-1), unbolt the opener and ICC bumper (if equipped) on the RH side. Then, bolt license plate bracket in desired position. Torque bolts and lock nuts to **105 lb.-ft.**
 For positions 3 or 4 (FIG. 3-2), unbolt the ICC bumper (if equipped) on the LH side. Then, bolt license plate bracket in desired position. Torque bolts and lock nuts to **105 lb.-ft.**

GPT EQUIPPED WITH ICC BUMPER - Continued

5. Reconnect power as follows. Remove nut from negative (-) battery terminal. Reconnect the negative (-) battery cable to negative (-) battery terminal (**FIG. 4-1**). Reinstall and tighten nut.



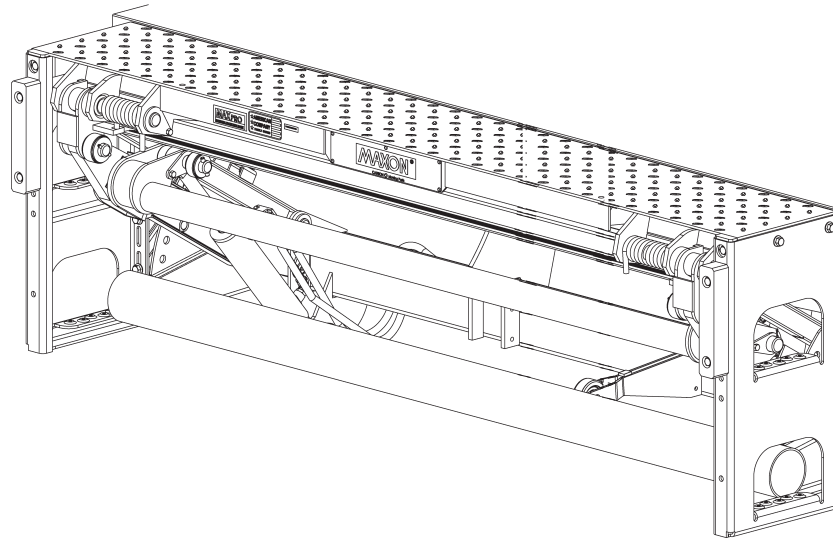
RECONNECTING POWER
FIG. 4-1

GPT EQUIPPED WITH UNDERRIDE

⚠ WARNING

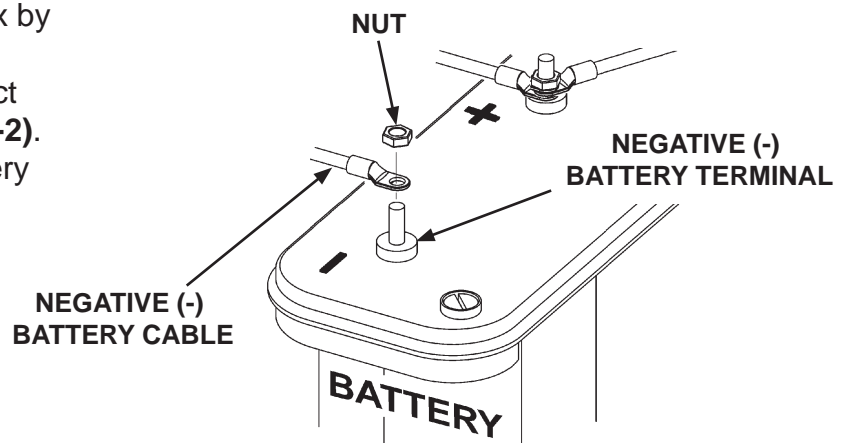
To prevent personal injury and equipment damage, disconnect the power before beginning this procedure.

1. Ensure platform is stowed (**FIG. 5-1**).
Refer to operating instructions in **Operation Manual**.



PLATFORM STOWED
FIG. 5-1

2. Disconnect power from pump box by removing nut from negative (-) battery terminal and disconnect negative (-) battery cable (**FIG. 5-2**). Reinstall nut on negative (-) battery terminal.

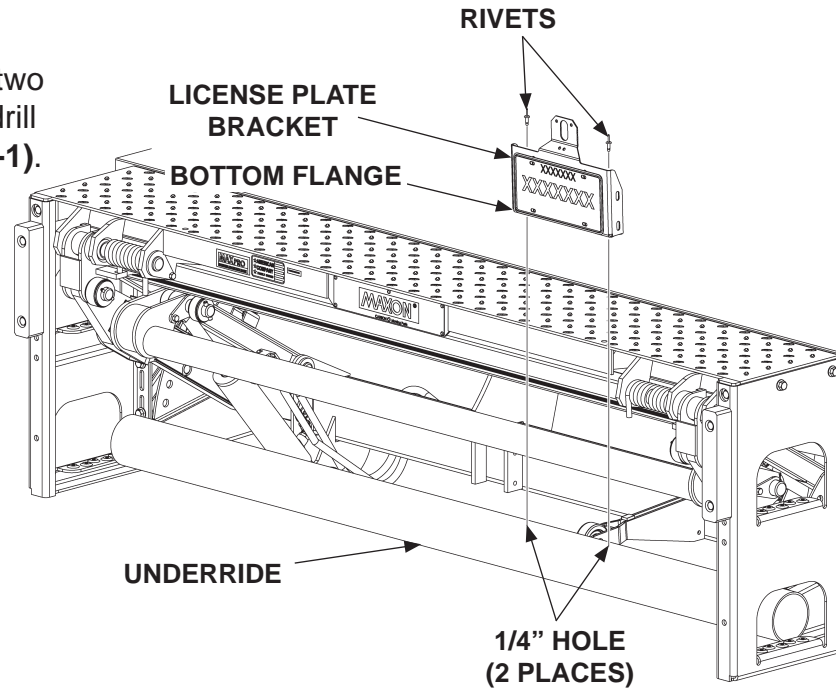


DISCONNECTING POWER
FIG. 5-2

GPT EQUIPPED WITH UNDERRIDE - Continued

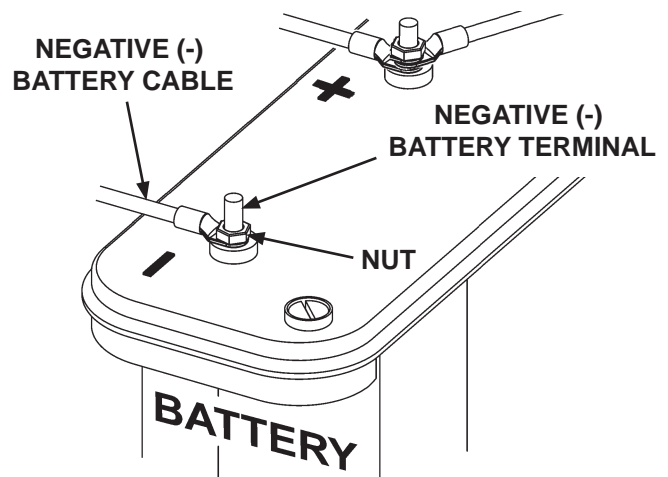
3. Put license plate bracket in desired position on top of underride (**FIG. 6-1**). Next, use bottom flange of license plate bracket to mark the two holes on top of underride. Then, drill the two holes with 1/4" bit (**FIG. 6-1**).

4. Rivet license plate bracket to underride (**FIG. 6-1**).



**POSITIONING AND RIVETING BRACKET TO UNDERRIDE
FIG. 6-1**

5. Reconnect power as follows. Remove nut from negative (-) battery terminal. Reconnect the negative (-) battery cable to negative (-) battery terminal (**FIG. 6-2**). Reinstall and tighten nut.



**RECONNECTING POWER
FIG. 6-2**