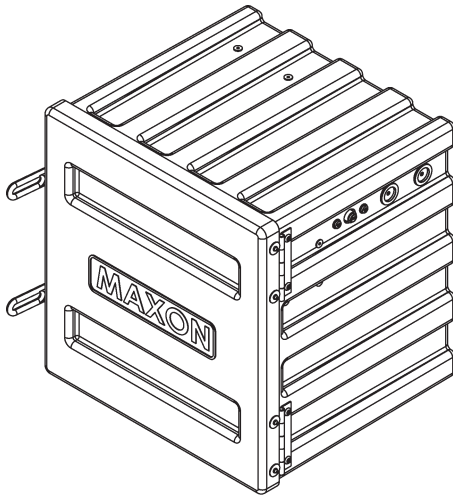
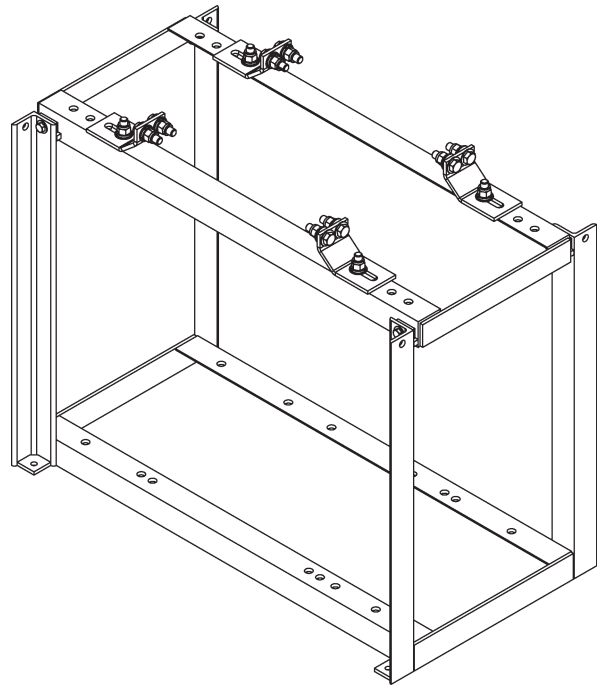


## INSTRUCTION, BATTERY BOX AND FRAME INSTALLATION KIT

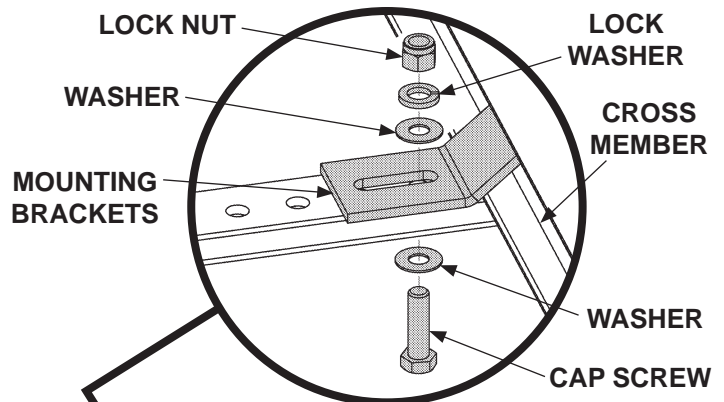


**BATTERY BOX ASSEMBLY**  
P/N 269560-01  
QTY. 1

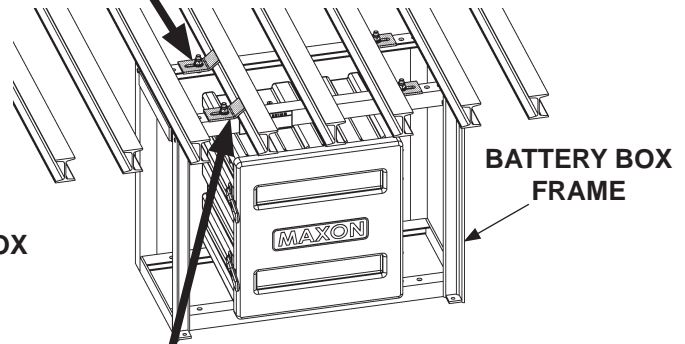


**SINGLE FRAME ASSEMBLY**  
P/N 285720-11  
P/N 285720-11G (GALVANIZED)  
QTY. 1

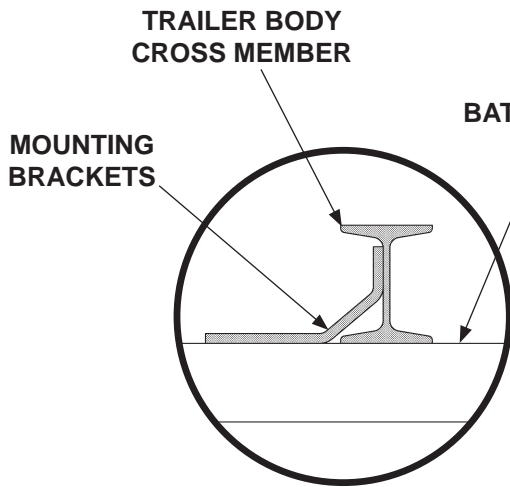
1. Select holes on top of battery box frame to align mounting brackets flush to cross members. Refer to **FIGS. 2-1A & 2-1B** for trailers and **FIG. 2-2** for trucks. Bolt mounting brackets to battery box frame as shown in **FIG. 2-1C**. Torque each bolt and lock nut to **85-128 lb-ft.**



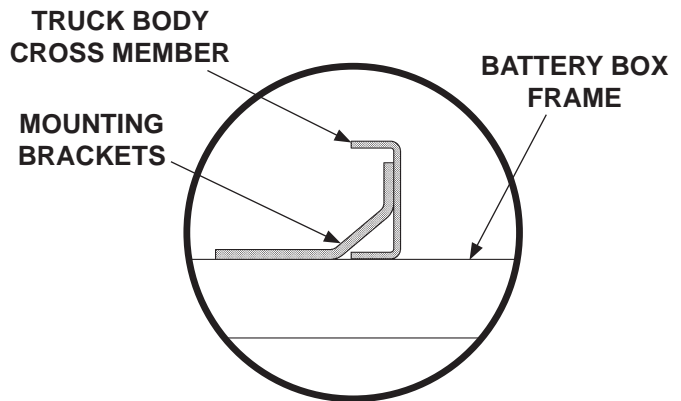
**BOLTING BRACKETS  
(8 PLACES)  
FIG. 2-1C**



**ALIGNING BATTERY  
BOX FRAME  
(TRAILER SHOWN)  
FIG. 2-1A**



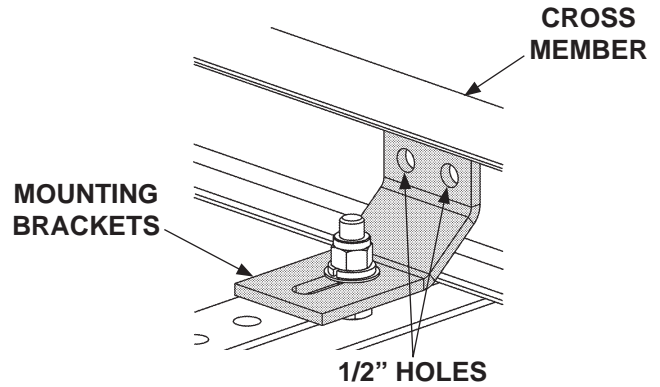
**FLUSH BRACKETS  
FOR TRAILERS  
(8 PLACES)  
FIG. 2-1B**



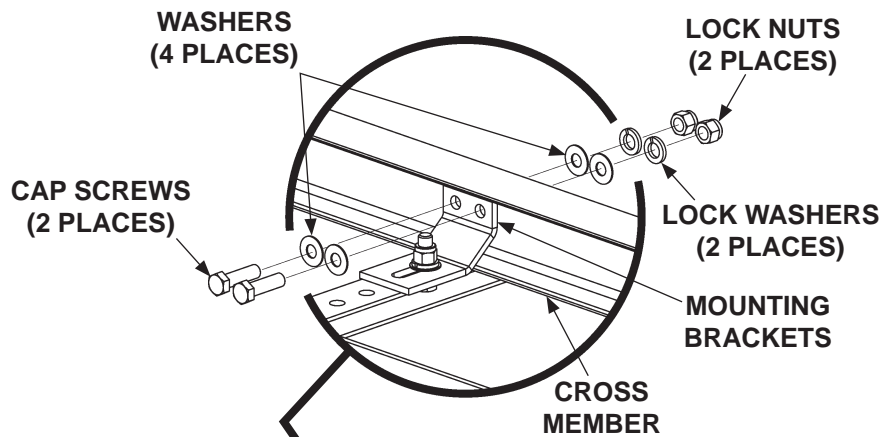
**FLUSH BRACKETS FOR TRUCKS  
(8 PLACES)  
FIG. 2-2**

**NOTE:** If welding mounting brackets to cross members, skip instruction 2.

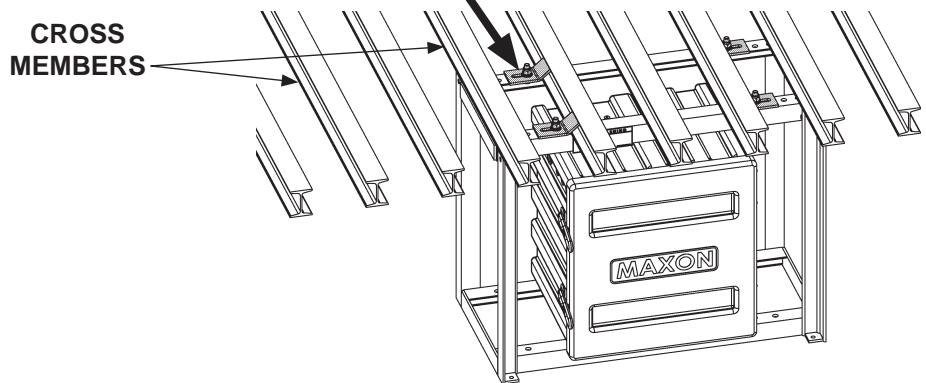
- Using mounting brackets as a template mark and drill holes through cross members (**FIG. 3-1**). Bolt mounting brackets to cross members as shown in **FIGS. 3-2A and 3-2B**. Torque bolts and lock nuts to 85-128 lb-ft.



**MARK AND DRILL  
FIG. 3-1**



**BOLTING BRACKETS  
(8 PLACES)  
FIG. 3-2B**



**BOLTING BATTERY BOX FRAME  
FIG. 3-2A**

**! WARNING**

Recommended practices for welding on steel parts are contained in the current AWS (American Welding Society) D1.1 Structural Welding Code - Steel. Damage to Liftgate and/or vehicle, and personal injury can result from welds that are done incorrectly.

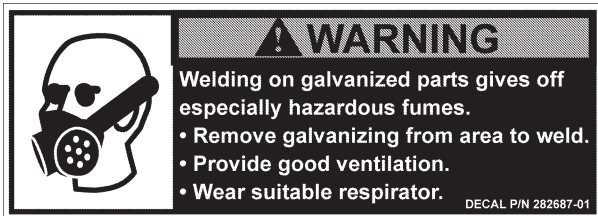
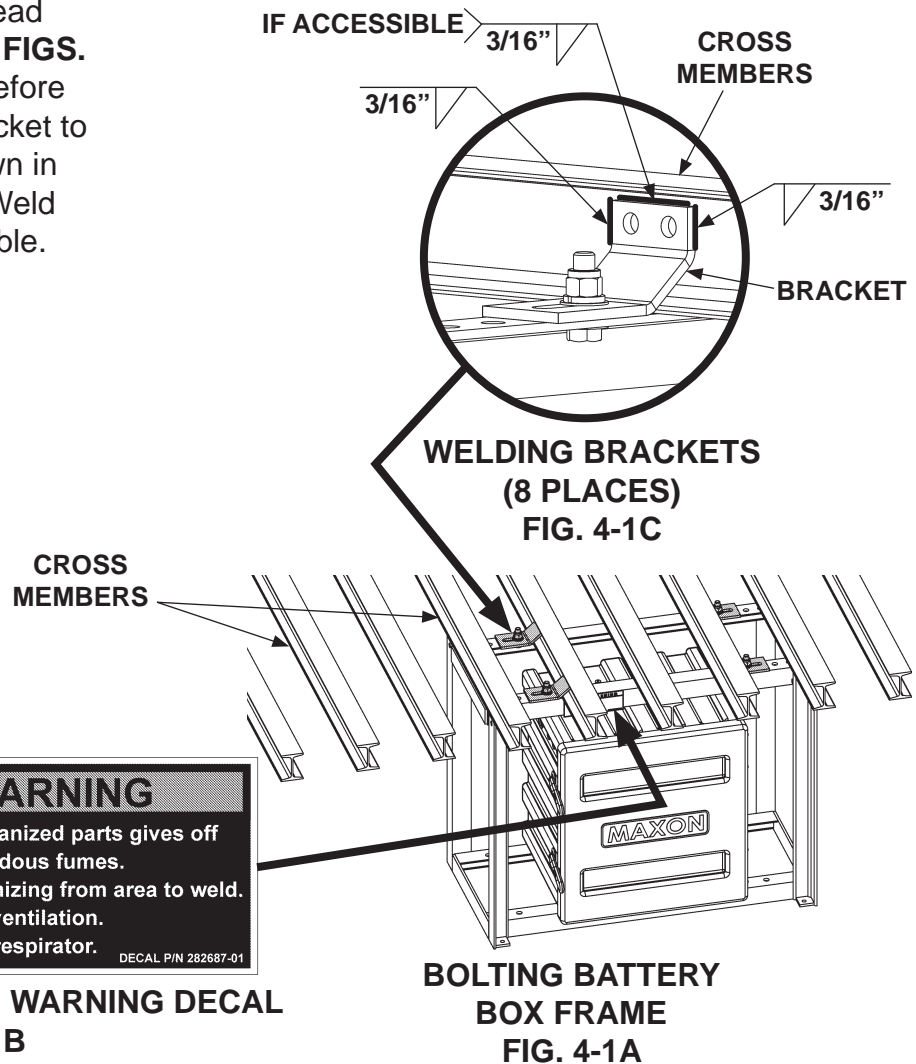
**CAUTION**

To prevent pump box components from being damaged by electric current from welding, connect welder grounding cable to the part being welded.

**CAUTION**

Cover battery box with flame-resistant covering before welding pump box frame to vehicle.

- For galvanized frame, read warning decal shown in **FIGS. 4-1A and FIGS. 4-1B** before welding. Weld each bracket to cross members as shown in **FIGS. 4-1A and 4-1C**. Weld top of bracket if accessible.



**WELDING GALVANIZED, WARNING DECAL FIG. 4-1B**

**⚠ WARNING**

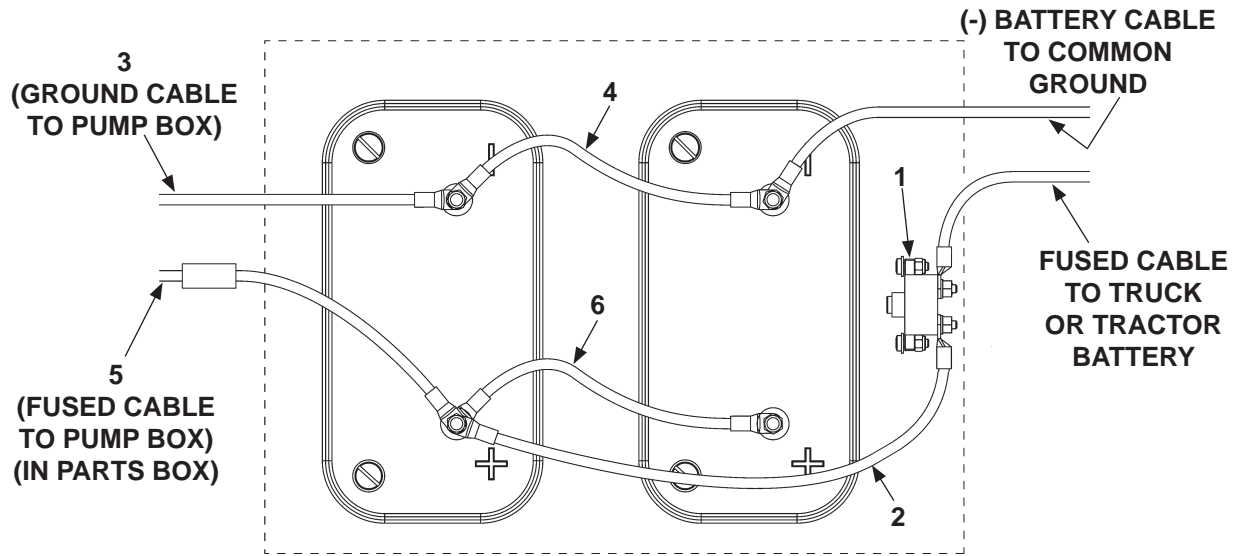
Remove all rings, watches and jewelry before doing any electrical work.

**NOTE:** Always connect fused end of power cable to battery positive (+) terminal.

**NOTE:** To connect charge lines, refer to instructions provided with each charge line kit.

**NOTE:** MAXON recommends using dielectric grease on all electrical connections.

4. Connect battery cables, fused cables, and ground cables as shown in **FIGS. 5-1 and 6-1** and **TABLES 5-1 and 6-1**.

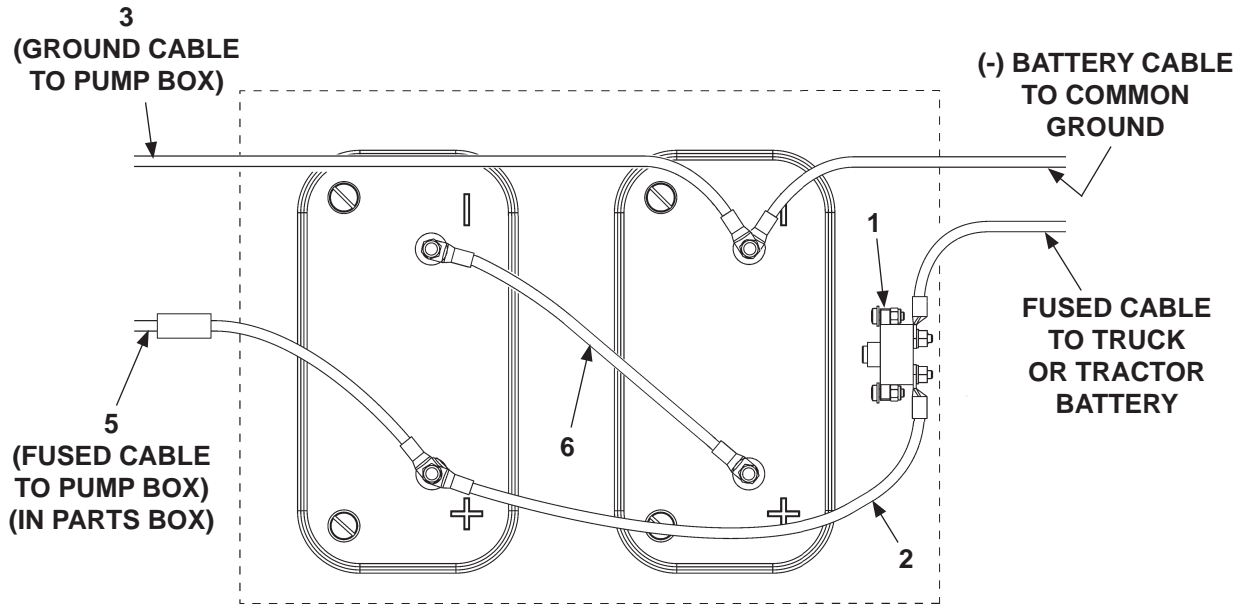


**12 VOLT BATTERY CONNECTIONS FOR 12 VOLT POWER**

**FIG. 5-1**

ITEM	QTY	PART NO.	DESCRIPTION
1	1	221736	CIRCUIT BREAKER 150 AMP
2	1	269308-18	CABLE ASSEMBLY, 2 GA (RED), 18" LG.
3	1	268226-06	CABLE ASSEMBLY, 2 GA, 74" LG.
4	1	251871-14	CABLE ASSEMBLY, 2 GA, 10" LG.
5	1	285487-02	CABLE ASSEMBLY, 2 GA, 200 AMP, 42" LG.
6	1	269308-10	CABLE ASSEMBLY, 2 GA (RED), 10" LG.

**TABLE 5-1**



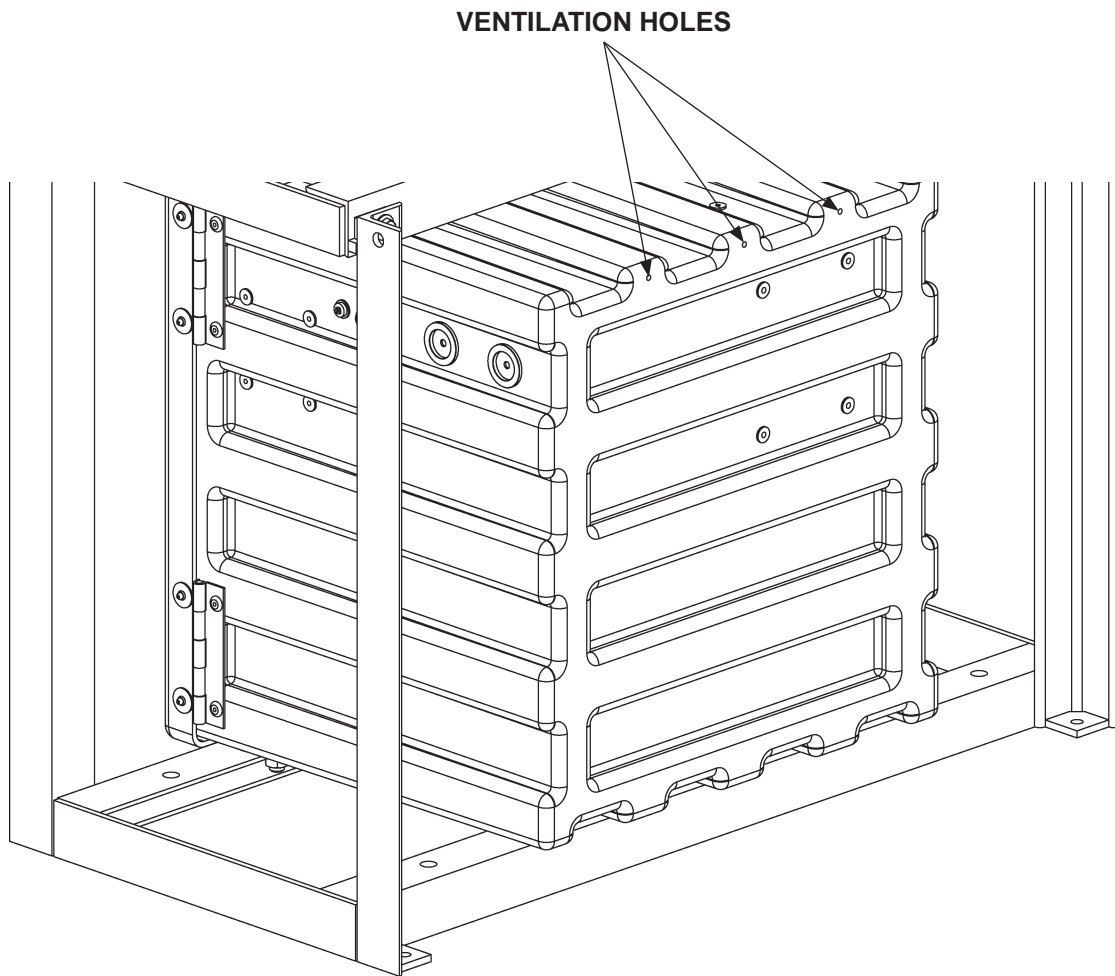
**12 VOLT BATTERY CONNECTIONS FOR  
24 VOLT POWER  
FIG. 6-1**

ITEM	QTY	PART NO.	DESCRIPTION
1	1	221736	CIRCUIT BREAKER 150 AMP
2	1	269308-18	CABLE ASSEMBLY, 2 GA (RED),18" LG.
3	1	268226-06	CABLE ASSEMBLY, 2 GA, 74" LG.
4	1	251871-14	CABLE ASSEMBLY, 2 GA, 10" LG.
5	1	285487-02	CABLE ASSEMBLY, 2 GA, 200 AMP, 42" LG.
6	1	269308-10	CABLE ASSEMBLY, 2 GA (RED),10" LG.

**TABLE 6-1**

**⚠ WARNING**

Explosive hydrogen gas from charging batteries can accumulate in battery box if not vented from the box. To prevent hydrogen gas from accumulating, ensure the 3 ventilation holes in battery box are not plugged or covered.

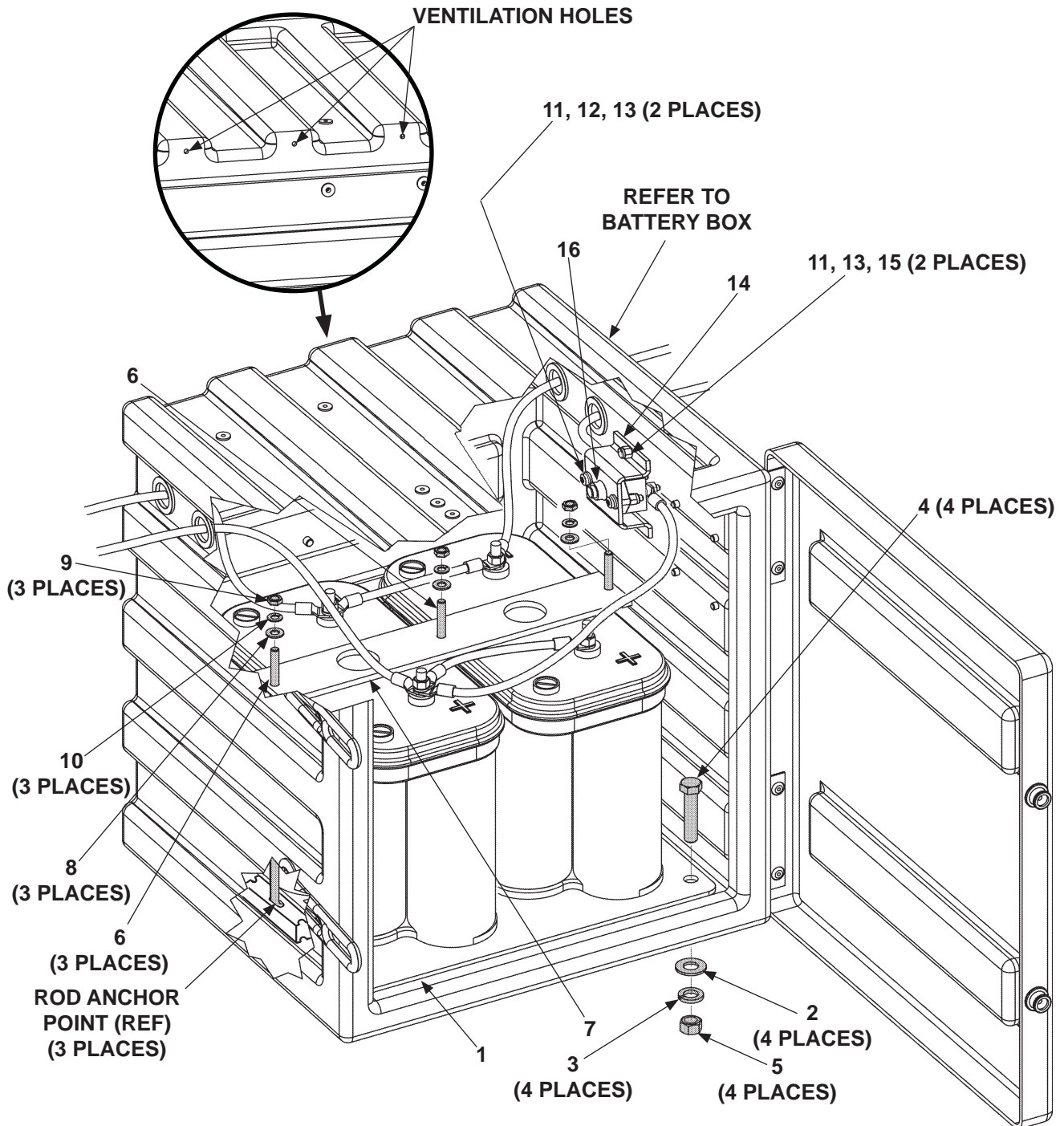


**BATTERY BOX ASSEMBLY  
(REAR VIEW SHOWN)  
FIG. 7-1**



**OPTIONAL BATTERY BOX ASSEMBLY****⚠ WARNING**

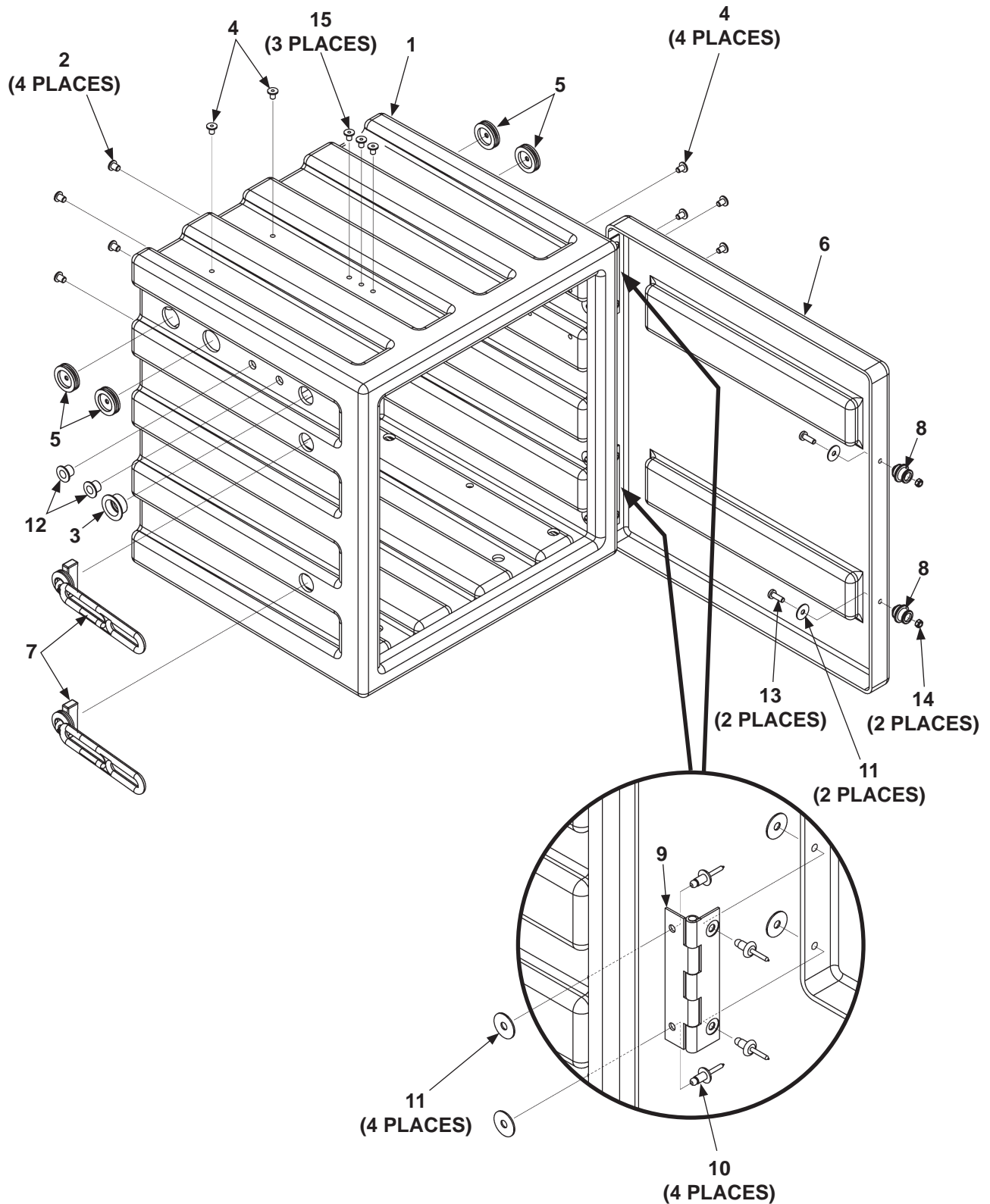
Explosive hydrogen gas from charging batteries can accumulate in battery box if not vented from the box. To prevent hydrogen gas from accumulating, ensure the 3 ventilation holes in battery box are not plugged or covered.





**BATTERY BOX ASSEMBLY**

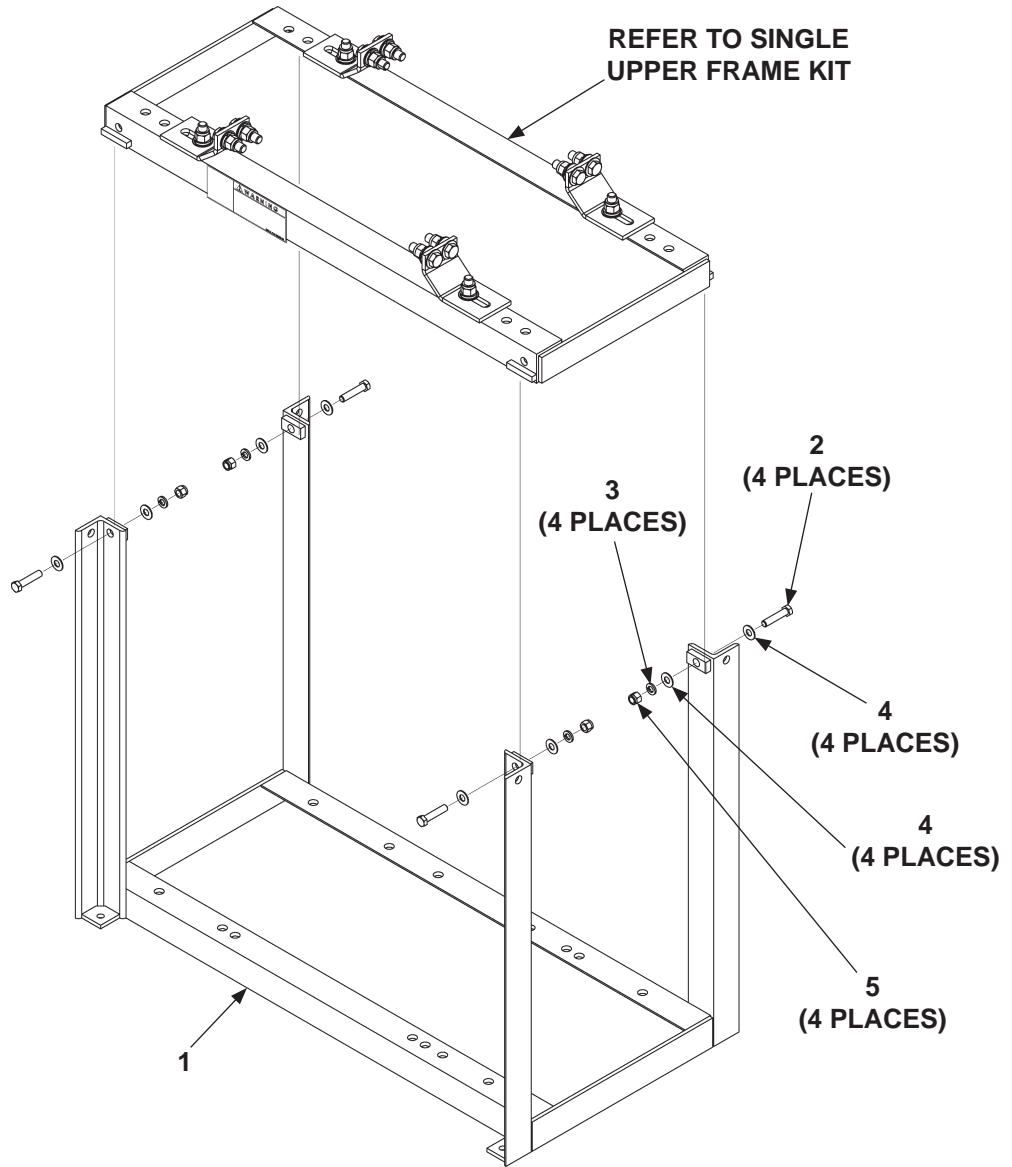
<b>ITEM</b>	<b>QTY</b>	<b>PART NO.</b>	<b>DESCRIPTION</b>
1	1	269535-01G	BATTERY MOUNT PLATE WELDMENT, GALVANIZED
2	4	902013-14	FLAT WASHER, 9/16"
3	4	902011-7	LOCK WASHER, 9/16"
4	4	900033-6	CAP SCREW, 1/2"-20 X 2-1/4" LG., GR8
5	4	901011-10	HEX NUT, 1/2"-20
6	3	227722-01	ROD, L-SHAPE BATTERY HOLD DOWN
7	1	250479	BRACKET (BATTERY HOLD DOWN)
8	3	902013-10	FLAT WASHER, 5/16"
9	3	901005	HEX NUT, 5/16"-18, GR8
10	3	902011-3	LOCK WASHER, #10
11	4	902013-09	FLAT WASHER, 1/4"
12	2	900002-4	PAN HEAD SCREW, 1/4"-20 X 1" LG.
13	4	901000	LOCK NUT, 1/4"-20
14	1	287341-01	MANUAL RESET BRACKET
15	2	900002-1	PAN HEAD SCREW, 1/4"-20 X 3/4" LG.
16	1	221736	CIRCUIT BREAKER, 150 AMP (MANUAL RESET)

**OPTIONAL BATTERY BOX**

**BATTERY BOX**

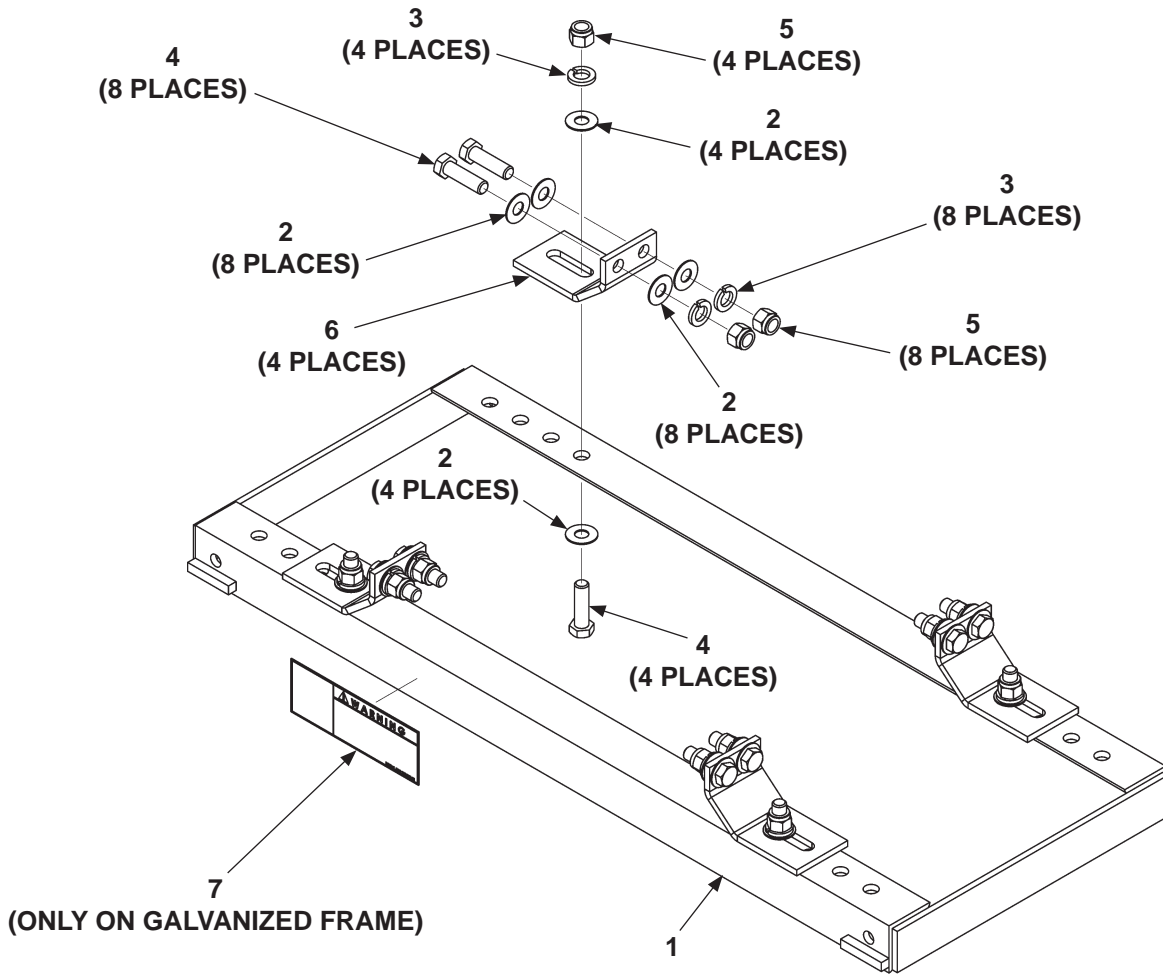
<b>ITEM</b>	<b>QTY</b>	<b>PART NO.</b>	<b>DESCRIPTION</b>
<b>REF</b>	<b>1</b>	269561-01	BATTERY BOX
<b>1</b>	<b>1</b>	269526-01	BOX
<b>2</b>	<b>4</b>	908022-03	PLUG, 5/16"
<b>3</b>	<b>1</b>	908022-08	PLUG, 1-1/16"
<b>4</b>	<b>6</b>	908022-07	PLUG, 9/32"
<b>5</b>	<b>4</b>	266428-02	GROMMET, 1"
<b>6</b>	<b>1</b>	269558-01	COVER
<b>7</b>	<b>2</b>	908193-01	RUBBER LATCH
<b>8</b>	<b>2</b>	908194-01	FASTENING KNOB
<b>9</b>	<b>2</b>	285884-01	BATTERY BOX HINGE STAINLESS STEEL
<b>10</b>	<b>8</b>	903715-03	BLIND RIVET, 1/4" X 1/4"-3/8"
<b>11</b>	<b>10</b>	903438-01	WASHER, 1/4"
<b>12</b>	<b>2</b>	908022-05	PLUG, 9/16"
<b>13</b>	<b>2</b>	900719-07	BUTTON HEAD SCREW, 1/4"-20 X 1" LG
<b>14</b>	<b>2</b>	903137-01	LOCK NUT, 1/4"-20, NYLON
<b>15</b>	<b>3</b>	908022-01	PLUG, 1/4"

**SINGLE FRAME ASSEMBLY**



ITEM	QTY	PART NO.	DESCRIPTION
REF	1	285720-11	SINGLE FRAME ASSEMBLY
		285720-11G	SINGLE FRAME ASSEMBLY (GALVANIZED)
1	1	285724-11	SINGLE FRAME WELDMENT
		285724-11G	SINGLE FRAME WELDMENT (GALVANIZED)
2	4	900014-7	HEX HEAD CAP SCREW, 3/8"-16 X 1-3/4" LG, GR8
3	4	902011-4	LOCK WASHER, 3/8"
4	8	903409-03	FENDER WASHER, 13/32"
5	4	901002	LOCK NUT, 3/8"-16

**SINGLE UPPER FRAME KIT**



ITEM	QTY	PART NO.	DESCRIPTION
REF	1	285725-01	SINGLE UPPER FRAME KIT
		285725-01G	SINGLE UPPER FRAME KIT (GALVANIZED)
1	1	285726-01	SINGLE UPPER FRAME WELDMENT
		285726-01G	SINGLE UPPER FRAME WELDMENT (GALVANIZED)
2	24	903409-04	FENDER WASHER, 1/2"
3	12	902011-7	LOCK WASHER, 9/16"
4	12	900033-4	CAP SCREW, 1/2"-20 X 1-3/4" LG, GR8
5	12	901008	LOCK NUT, 1/2"-20
6	4	285837-01	MOUNTING BRACKET
7	1	282687-01	WARNING DECAL, WELD ON GALVANIZED