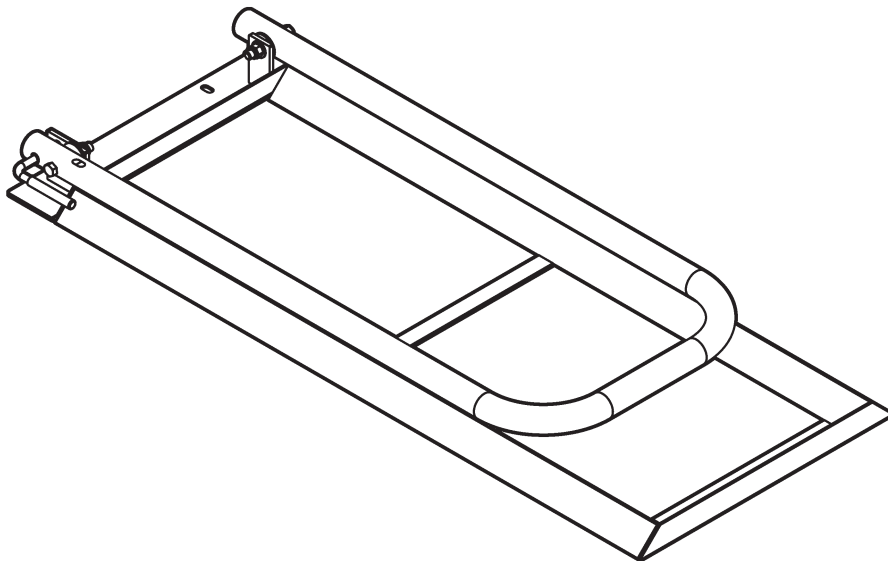
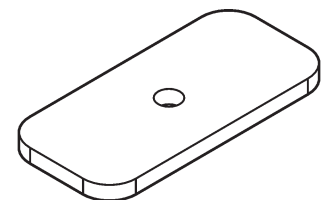


INSTRUCTION, MM-SERIES TIRE RACK KIT

KIT PART NO.	APPLICATION
267408-01	MM1300, 54" REAR OPENING WIDTH, GRIP STRUT PLATFORM
267408-02	MM1300, 59" REAR OPENING WIDTH, GRIP STRUT PLATFORM
267408-03	MM1300, 60" REAR OPENING WIDTH, GRIP STRUT PLATFORM
267408-04	MM1300, 64" REAR OPENING WIDTH, GRIP STRUT PLATFORM
267408-05	MM1650, 86" REAR OPENING WIDTH, GRIP STRUT PLATFORM
267408-06	MM1650, 91" REAR OPENING WIDTH, GRIP STRUT PLATFORM



TIRE RACK ASSEMBLY
(REF ONLY, ORDER THE KIT)
QTY. 1



TIRE RACK SUPPORT FLAT
P/N 267409-01
QTY. 4



CAP SCREW, 3/8"-16 X 1-3/4" LG, GRADE 8
P/N 900014-7
QTY. 4



FLAT WASHER, 3/8"
P/N 902001-2
QTY. 8



LOCK NUT, 3/8"-16
P/N 901002
QTY. 4

⚠ WARNING

To prevent personal injury and equipment damage, make sure power is disconnected from Liftgate while installing parts.

1. Disconnect power from Liftgate by removing positive (+) battery terminal connector and disconnect Power Cable (**FIG. 2-1**). Reinstall nut on positive (+) battery terminal connector.

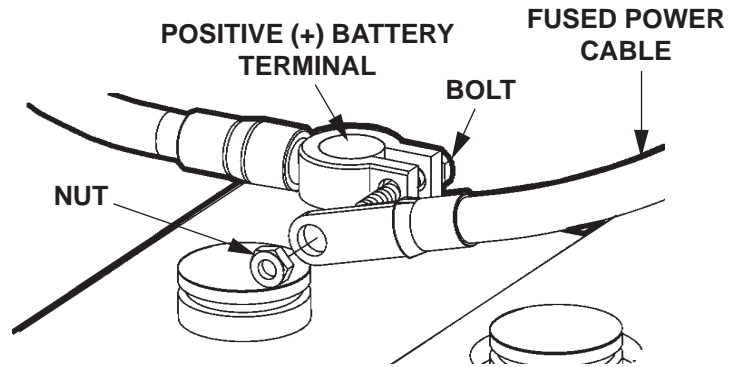
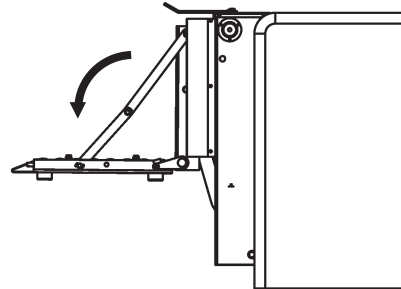


FIG. 2-1

2. Unfold the Platform as shown in **FIG. 2-2**.



PLATFORM OPEN
FIG. 2-2

3. Center the Tire Rack on the Platform (FIG. 3-1).

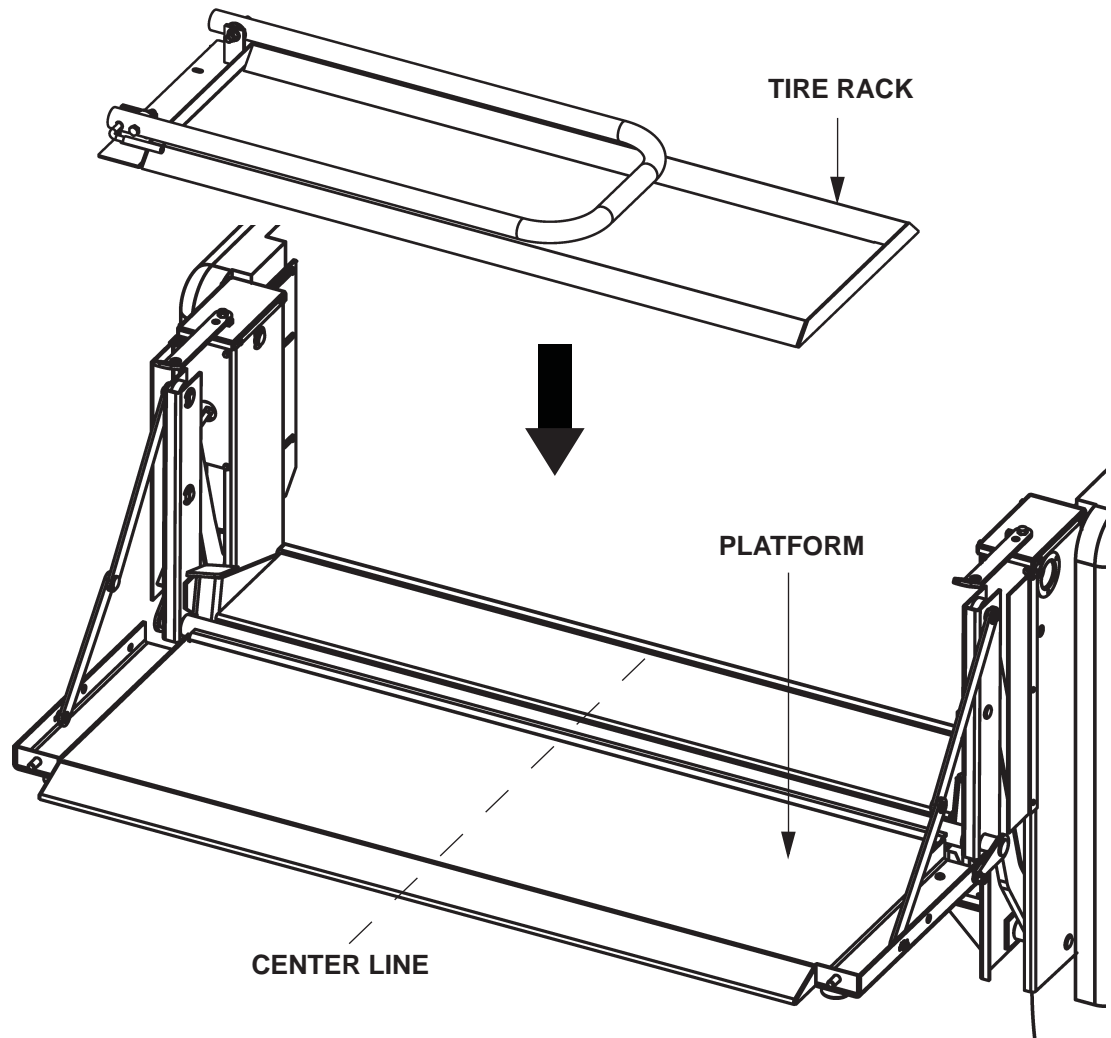
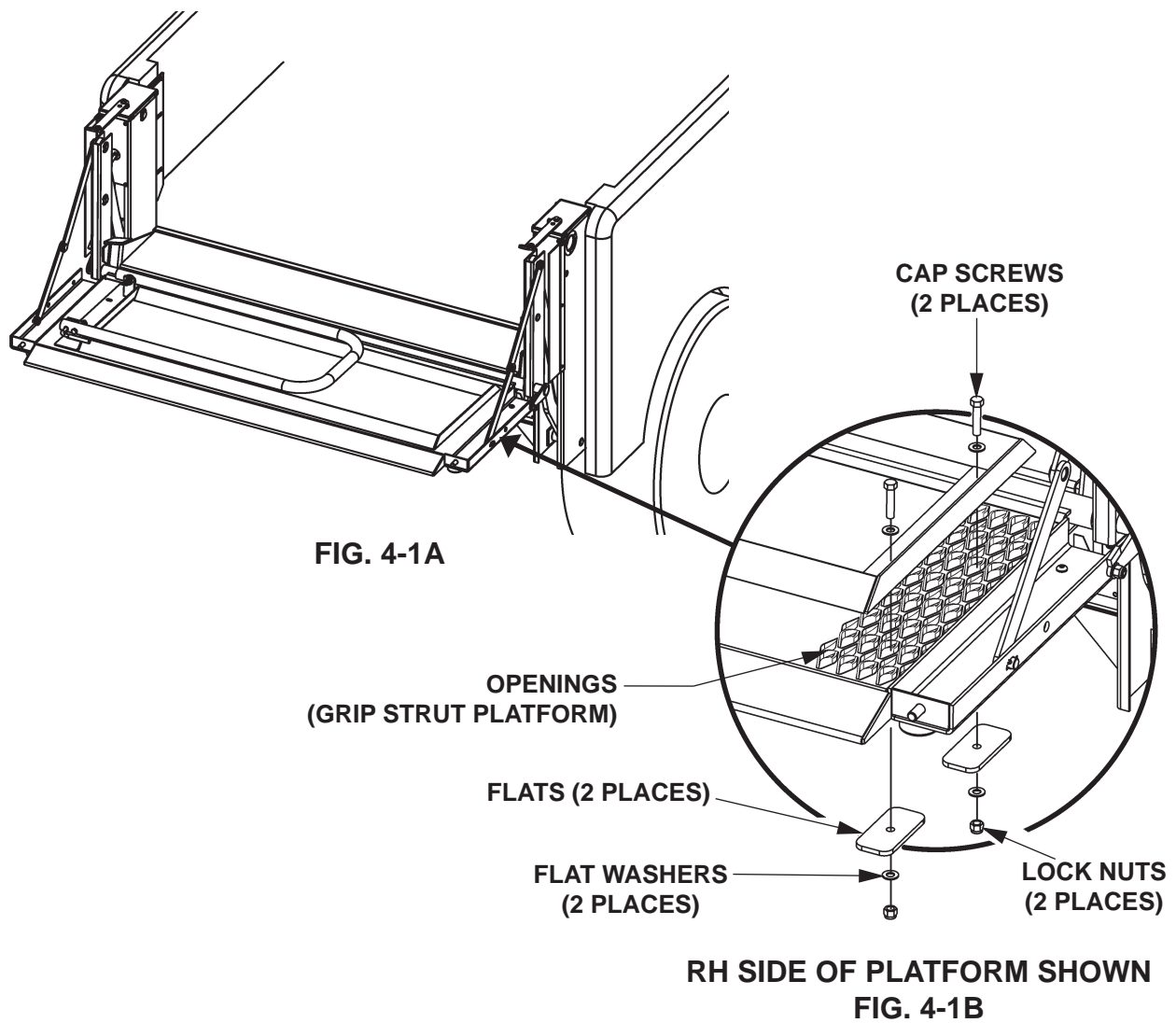


FIG. 3-1

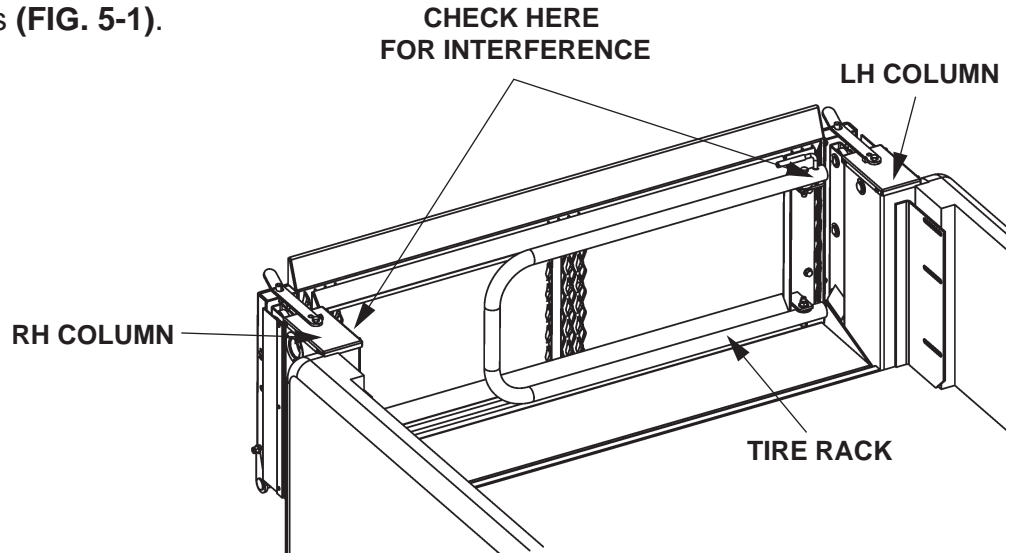
NOTE: Do not tighten the Nuts and Cap Screws until instructed.

NOTE: If needed, reposition the Tire Rack a little so the Cap Screws line up with the openings in the Grip Strut Platform.

4. Bolt the Tire Rack to RH side of Platform as shown in **FIGS. 4-1A and 4-1B**. Repeat this step for the LH side.



5. Fold the Platform (**FIG. 5-1**). Check both ends of Tire Rack to make sure it does not interfere with the Liftgate Columns (**FIG. 5-1**).



**CHECKING FOR INTERFERENCE
BETWEEN TIRE RACK & COLUMNS
FIG. 5-1**

NOTE: If there is no interference between the Tire Rack and Columns, skip steps 6 through 9.

6. If there is interference between the Tire Rack and Column, unbolt Tire Rack from Platform (**FIGS. 5-2A and 5-2B**).

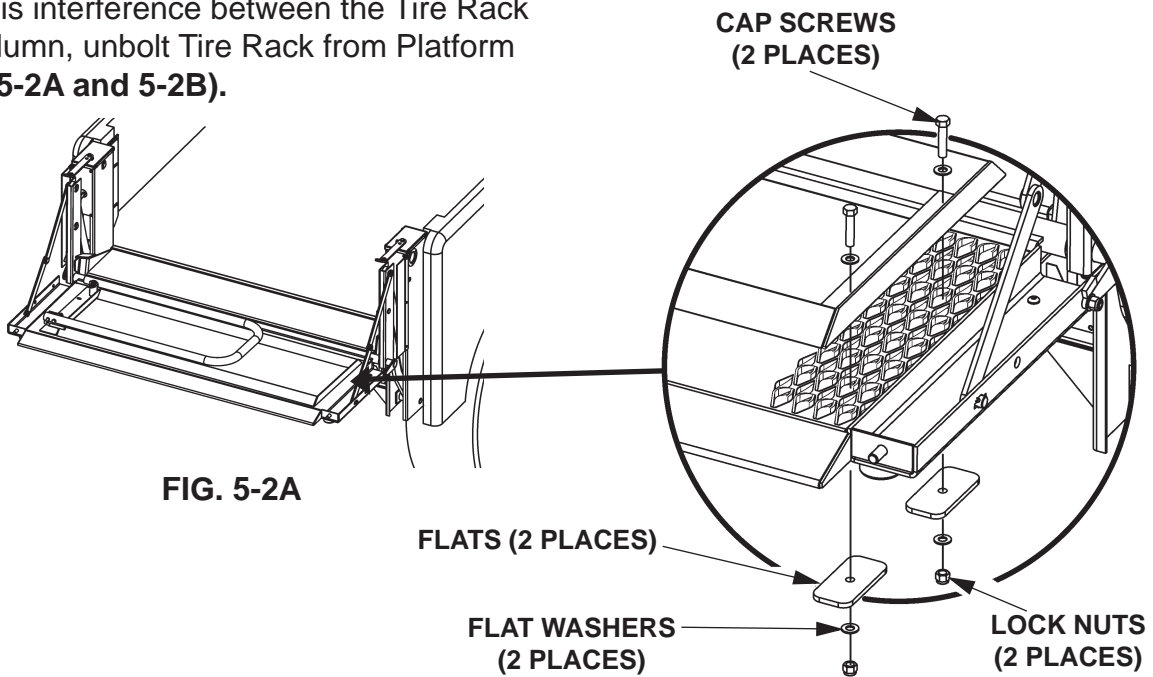


FIG. 5-2A

**RH SIDE OF PLATFORM SHOWN
FIG. 5-2B**

7. Move the Tire Rack away from the interfering Column as shown in **FIG. 6-1**.

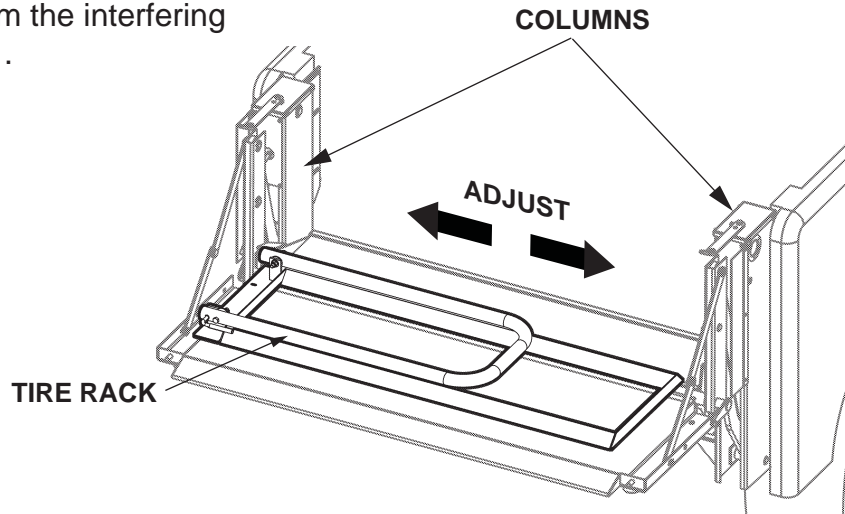
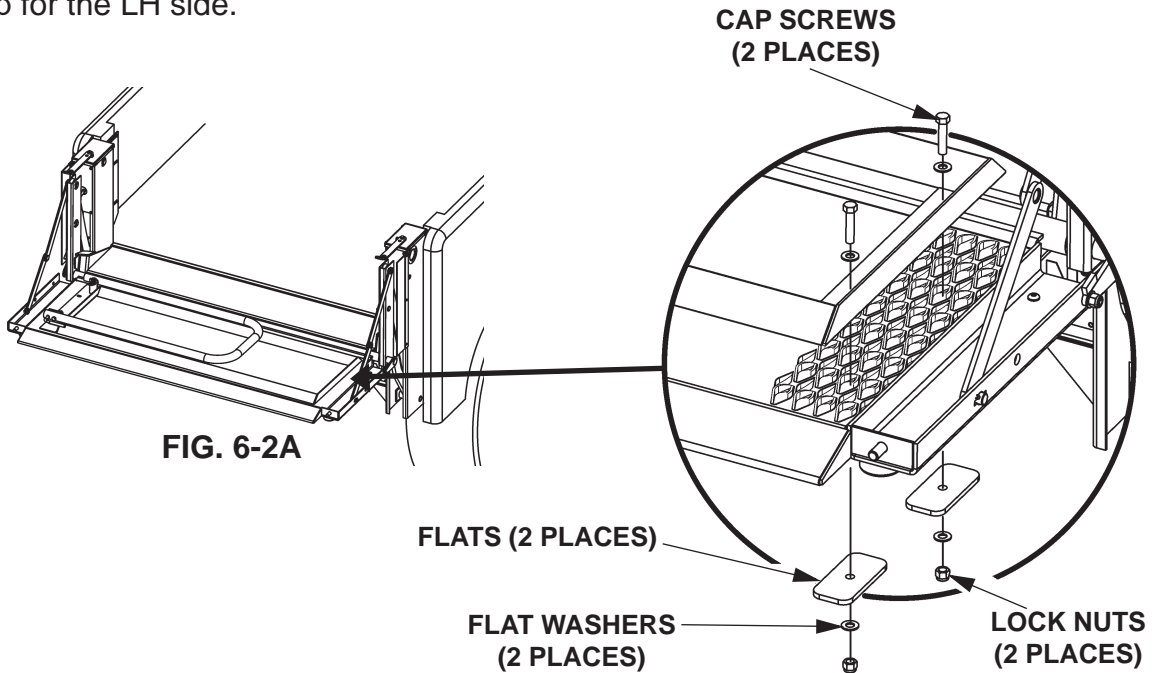


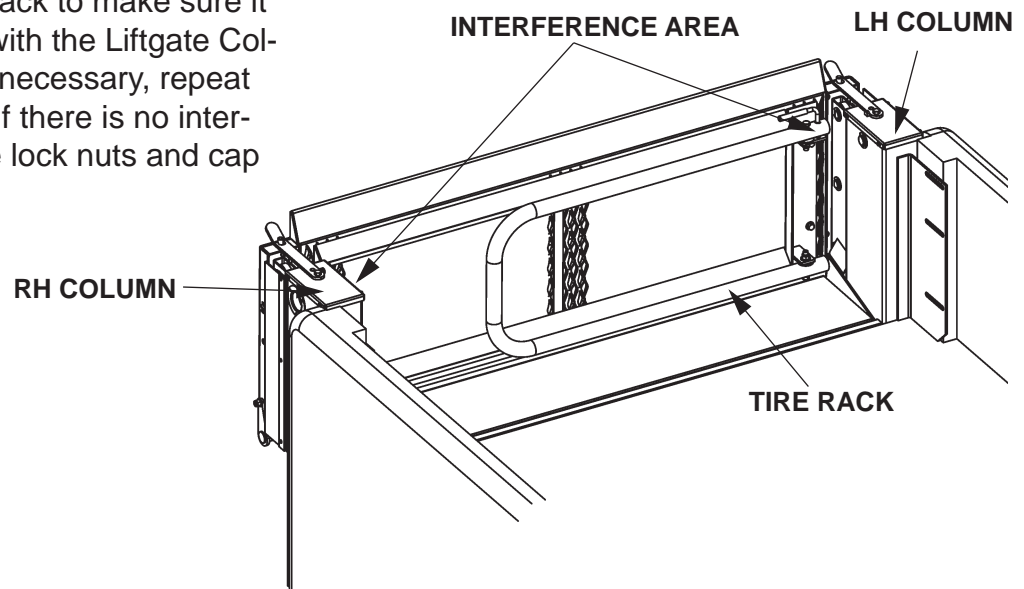
FIG. 6-1

8. Bolt the Tire Rack to RH side of Platform as shown in **FIGS. 6-2A and 6-2B**. Repeat this step for the LH side.



**RH SIDE OF PLATFORM SHOWN
FIG. 6-2B**

9. Fold the Platform (**FIG. 7-1**). Check both ends of Tire Rack to make sure it does not interfere with the Liftgate Columns (**FIG. 7-1**). If necessary, repeat steps 6 through 9. If there is no interference, tighten the lock nuts and cap screws.



**CHECKING FOR INTERFERENCE
BETWEEN TIRE RACK & COLUMNS**
FIG. 7-1

10. Reconnect power to Liftgate. Remove nut from positive (+) battery terminal connector. Reconnect the Power Cable to positive (+) battery terminal connector (**FIG. 7-2**). Reinstall and tighten nut.

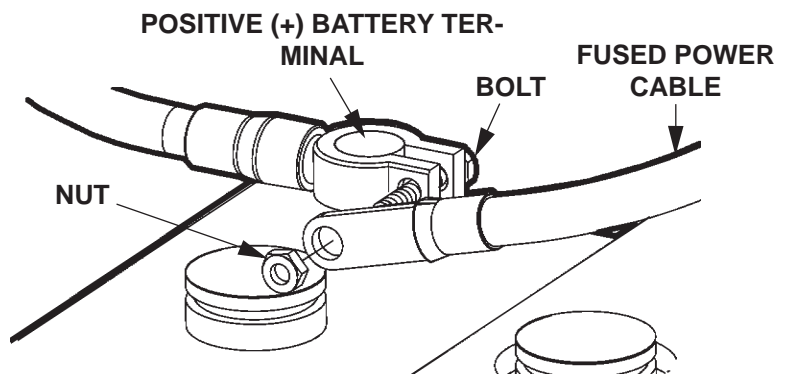


FIG. 7-2

11. To use the Tire Rack, lower the Platform to the ground (**FIG. 8-1**).

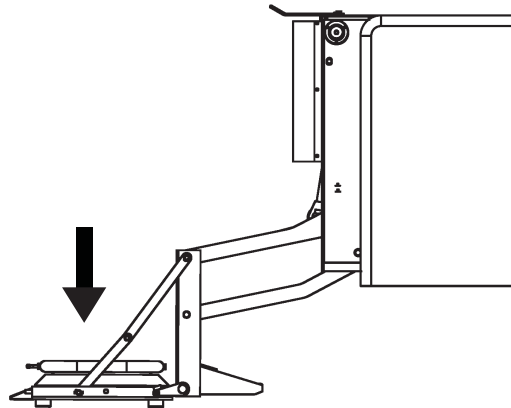


FIG. 8-1

NOTE: Rail must be locked in the up position before loading Platform

12. Put the Rail in the up position as follows. Pull the Handle to release Rail (**FIG. 8-2B**). Keep pulling the Handle while lifting Rail to up position (**FIG. 8-2A**). When the Rail is all the way up, release Handle to lock the Rail in position (**FIG. 8-2B**). Platform is ready to load.

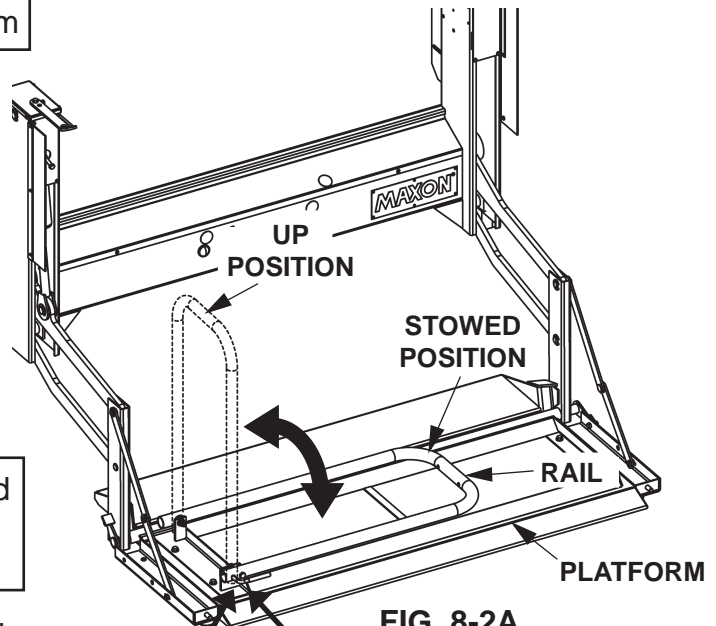


FIG. 8-2A

NOTE: Platform must be unloaded and Rail must be stowed before stowing Platform.

13. To stow the Rail after use, do the following. Pull the Handle to release the Rail (**FIG. 8-2C**). Keep pulling the Handle while lowering Rail all the way down on the Platform (**FIG. 8-2A**). When the Rail is all the way down, release Handle to lock the Rail in stowed position (**FIG. 8-2A**). Platform is ready to stow.

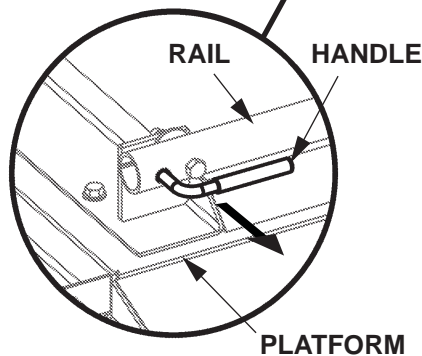


FIG. 8-2B

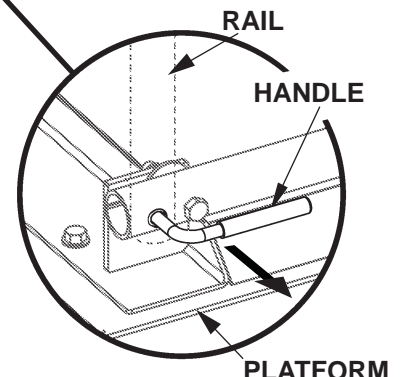


FIG. 8-2C