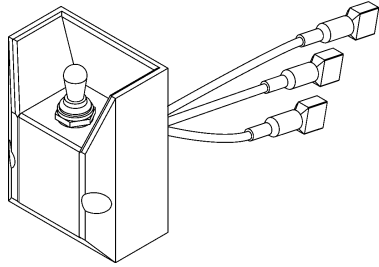
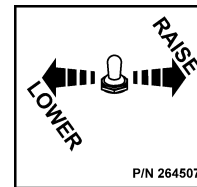


# INSTRUCTION, GPT'S & 80'S STREET SIDE CONTROL INSTALLATION KIT P/N 280265-02



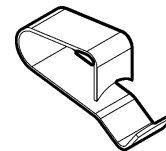
**SWITCH CONTROL P/N**  
**264346**  
**QTY. 1**



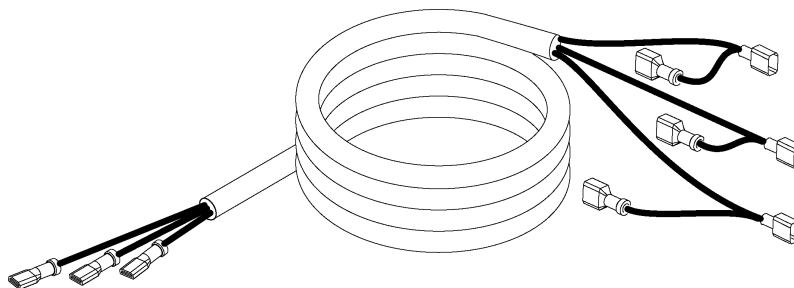
**DECAL, UP & DOWN P/N**  
**264507**  
**QTY. 1**



**SELF TAPPING SCREWS**  
**P/N 900057-5**  
**QTY. 2**

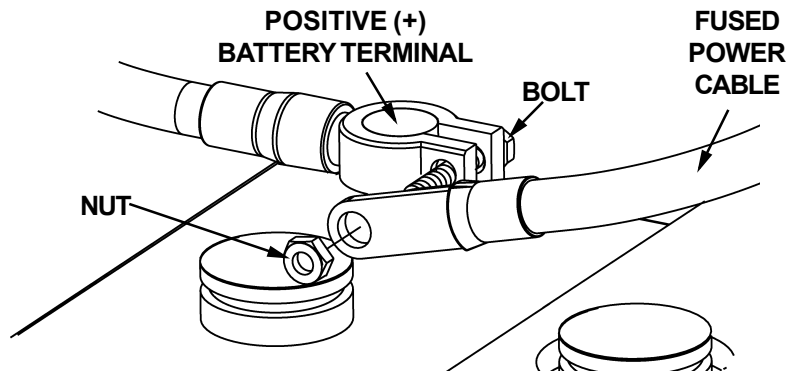


**FRAME CLIP**  
**P/N 050079**  
**QTY. 7**



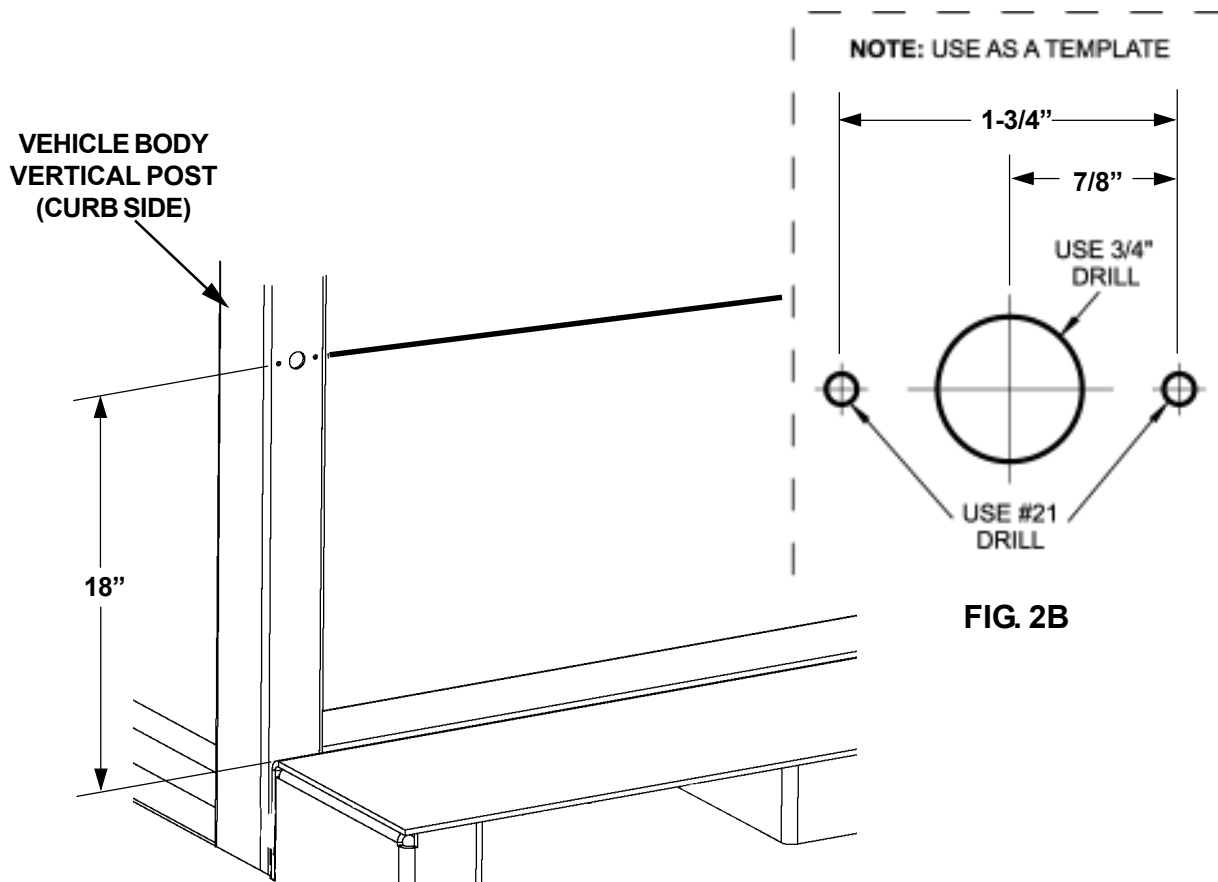
**CONTROL HARNESS,**  
**P/N 280267**  
**QTY. 1**

1. Unhook Safety Chain, lower liftgate, and unfold Platform and Flipover (**Operation Manual**).
2. Remove nut from positive (+) battery terminal connector to disconnect Power Cable (**FIG. 1**). Re-install nut on positive (+) battery terminal connector.



**FIG. 1**

3. Drill one 3/4" hole and two #21-size holes in the Vertical Post on street side of vehicle body as shown in **FIG. 2A**. Use template shown in **FIG. 2B**.



**FIG. 2A**

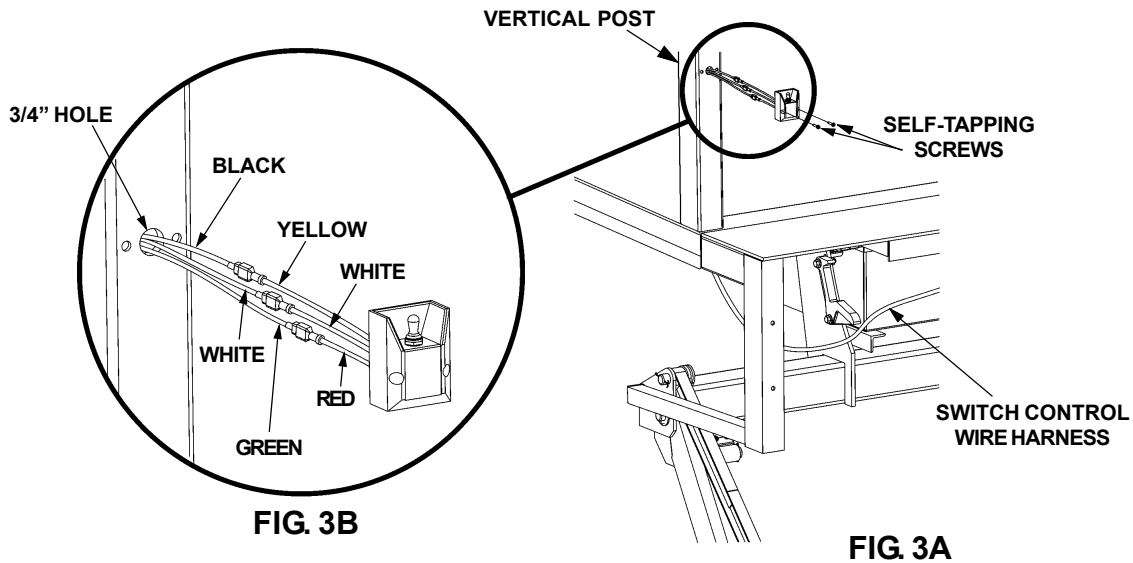
**FIG. 2B**

**NOTE:** Liftgate must be lowered to the ground to gain access to underside of truck.

**⚠ CAUTION**

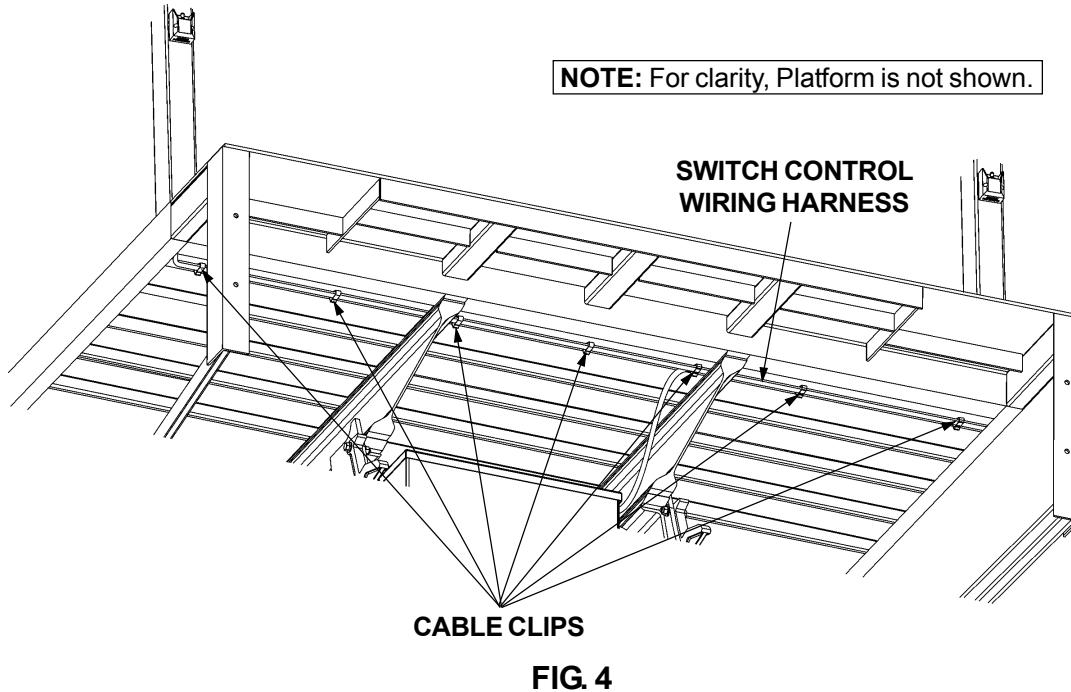
Always route electrical wires clear of moving parts, brake lines, sharp edges and exhaust systems. Avoid making sharp bends in wiring. Attach securely. If drilling is necessary, first check behind the drilling surface so you do not damage any fuel lines, vent lines, brake lines or wires.

4. Route Switch Control Wiring Harness up through the inside of the vertical post (**FIG. 3A**) and out the 3/4" hole (**FIG. 3B**). Connect Switch Control Wiring to wiring harness as shown in **FIG. 3B**. Push extended wiring back into the 3/4" hole in vertical post until Switch Control touches the post. Attach Switch Control to vertical post with 2 self-tapping screws (**FIG. 3A**).

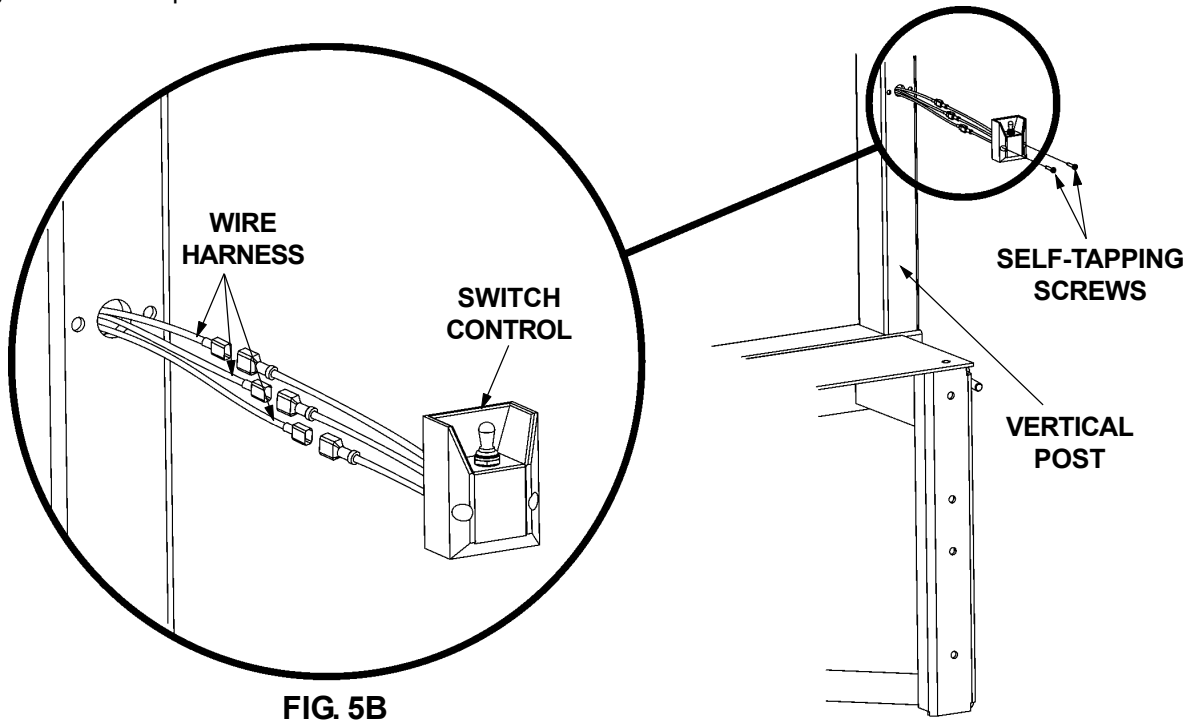


5. Mount Switch Control Wiring Harness along bottom side of truck body with Cable Clips (**FIG. 4**).

**NOTE:** For clarity, Platform is not shown.



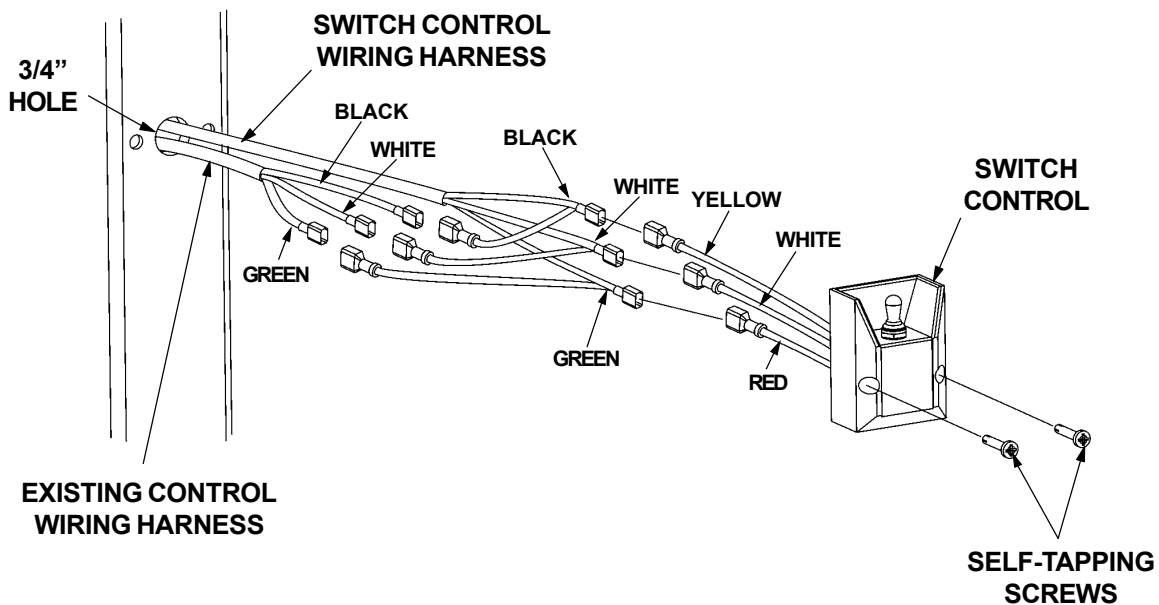
5. Remove 2 self-tapping screws and Switch Control from vertical post on curbside of vehicle body as shown in **FIG. 5A**. Disconnect Switch Control from wiring harness (**FIG. 5B**). Tape wiring pigtail to truck body to prevent it from falling inside vertical post.



**FIG. 5B**

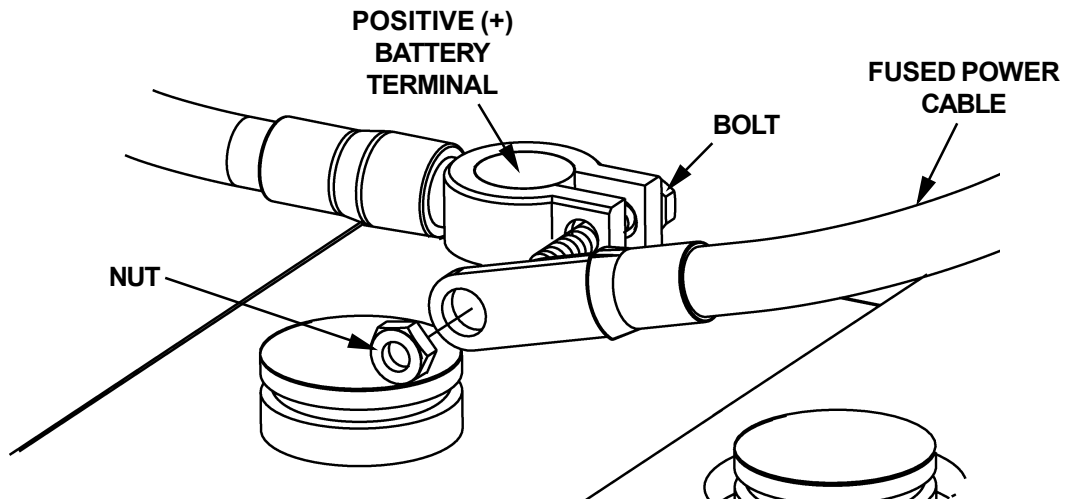
**FIG. 5A**

6. Route Switch Control Wiring Harness (from Kit), up through the inside of the vertical post and out 3/4" hole as shown in **FIG. 6**. Connect Switch Control Wiring Harness to existing wiring harness and Switch Control (**FIG. 6**). Push extended wiring back into the 3/4" hole in vertical post until Switch Control touches the post. Attach Switch Control to Vertical Post with 2 self-tapping screws (**FIG. 6**).



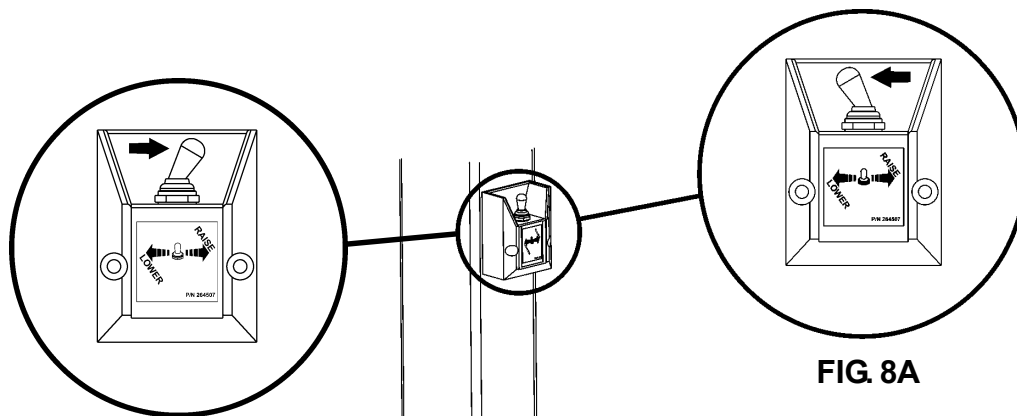
**FIG. 6**

7. Remove nut from positive (+) battery terminal connector to reconnect Power Cable (FIG. 7). Connect Power Cable to the positive (+) battery terminal connector (FIG. 7). Install and tighten nut.



**FIG. 7**

8. To verify new Street Side Control Switch operates correctly, push Control Switch (FIG. 8A) to LOWER Liftgate to the ground. Push Control Switch (FIG. 8B) to RAISE Liftgate.



**FIG. 8B**

**FIG. 8A**