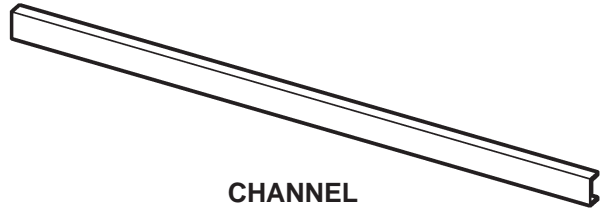


INSTRUCTION, GPT-SERIES LIFTGATE BUMPER KIT INSTALLATION

KIT P/N 265860-01



ANGLE
2" X 2" X 1/4" X 14" LG.
P/N 264209
QTY. 2



CHANNEL
3" X 4" X 67" LG.
P/N 265743
QTY. 1

NOTE: The following procedure shows how to install Channel Bumper on GPT Liftgate.

1. Lower the platform to the ground. Place the 2 Angles (Kit items) on top of Main Frame according to dimensions shown in **FIG. 1-1**.

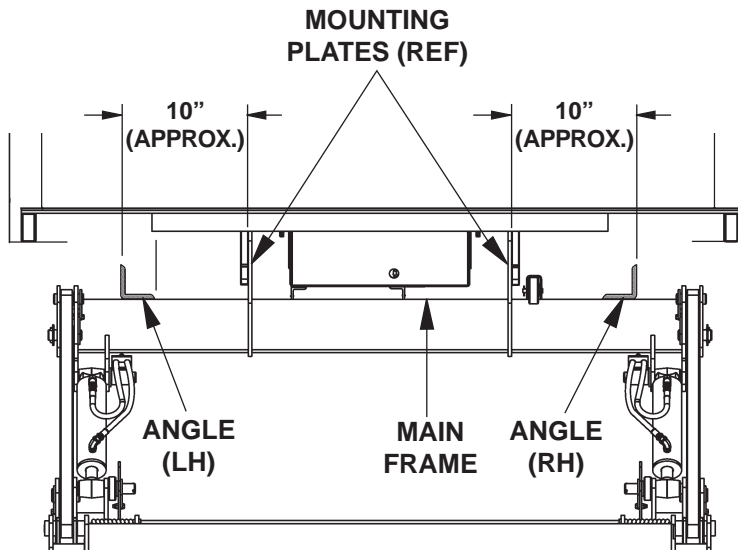


FIG. 1-1

2. Position the Right Hand (RH) Angle and Left Hand (LH) Angle on Main Frame as shown in (FIG. 2-1). Clamp the Angles in position. Weld both Angles to Main Frame (FIG. 2-1).

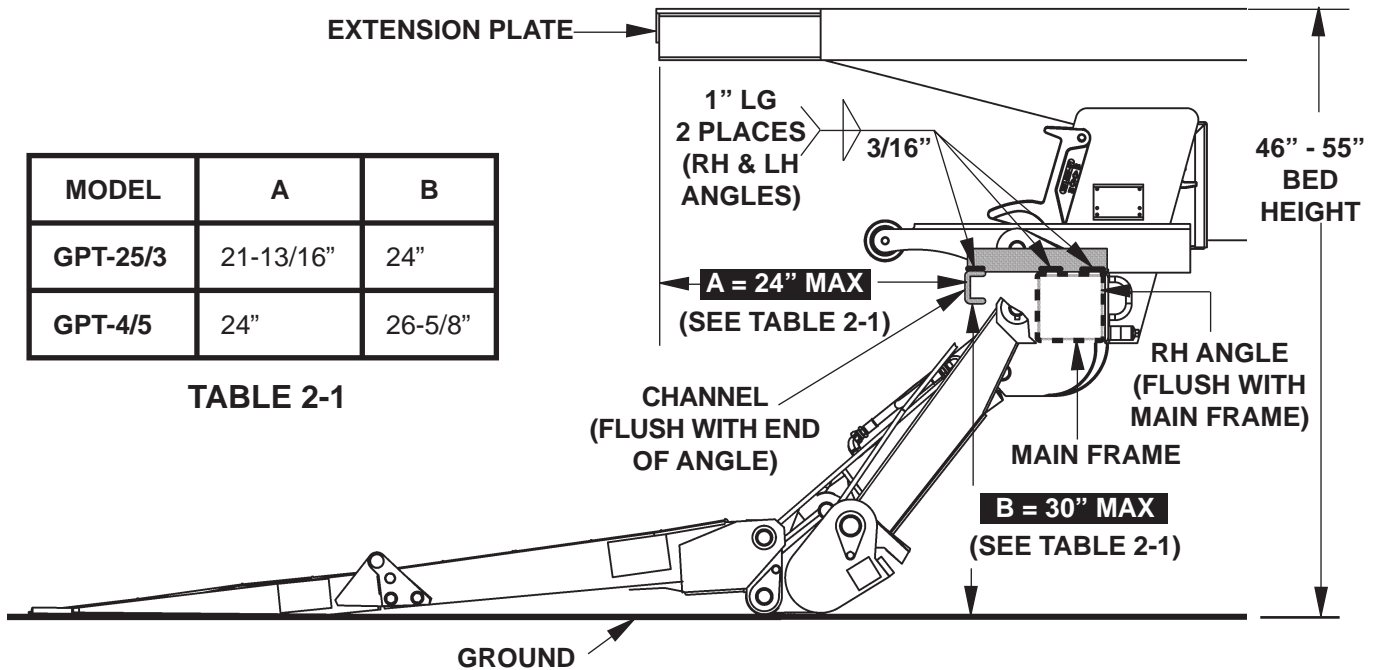


FIG. 2-1

3. Center the Channel (Kit item) on RH and LH Angles (FIG. 2-2). Make sure Channel is flush with end of RH Angle and LH Angle (FIG. 2-1). Also, make sure Channel fits the "A" and "B" dimensions in TABLE 2-1 and does not exceed the maximum dimensions shown in FIG. 2-1. Clamp the Channel in position. Weld the Channel to RH and LH Angles (FIG. 2-1).

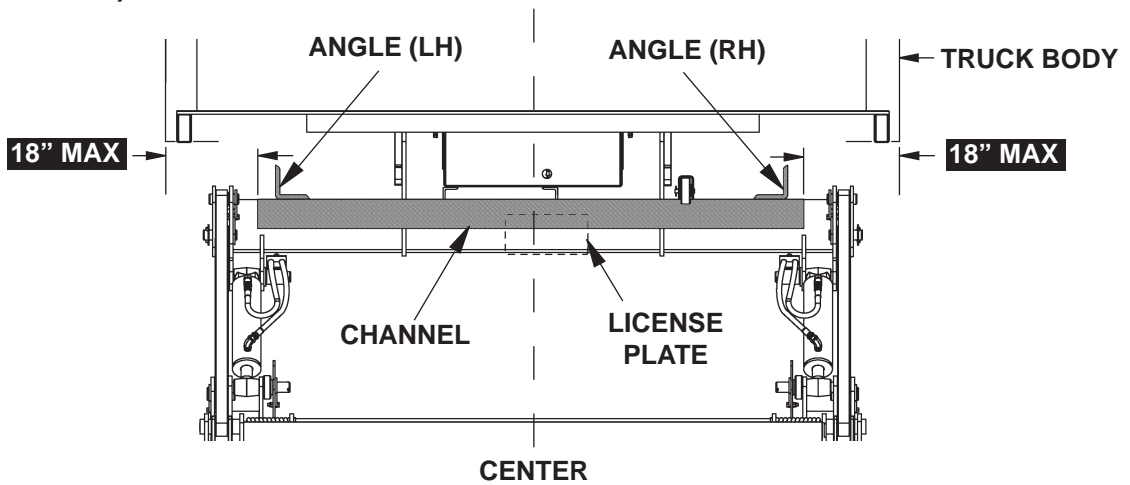


FIG. 2-2

NOTE: Make sure Channel does not interfere with vehicle license plate.

4. If necessary, reposition vehicle license plate at center of Channel (FIG. 2-2).