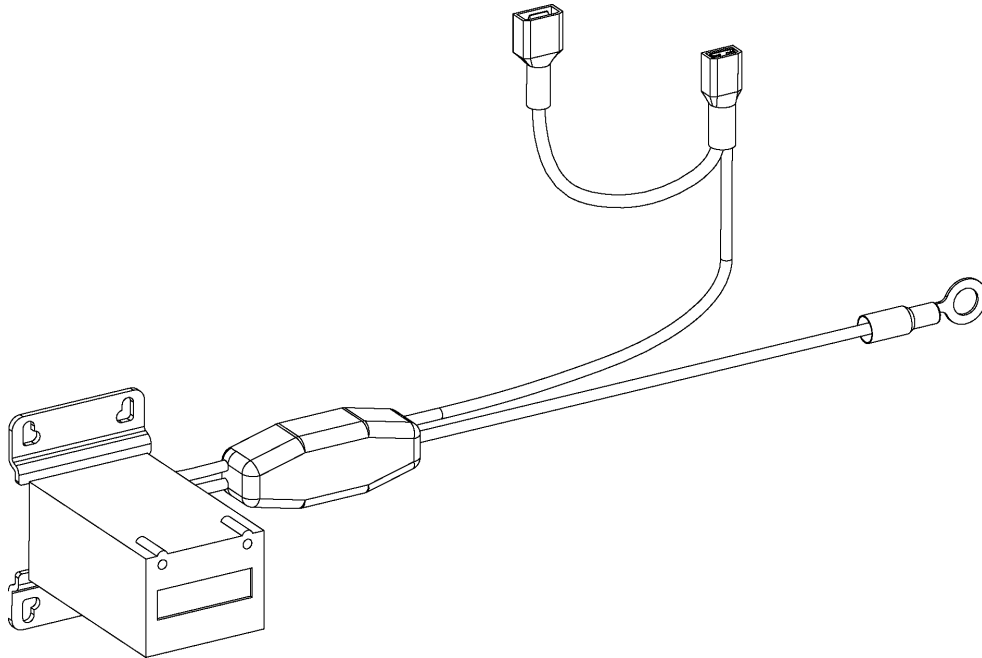
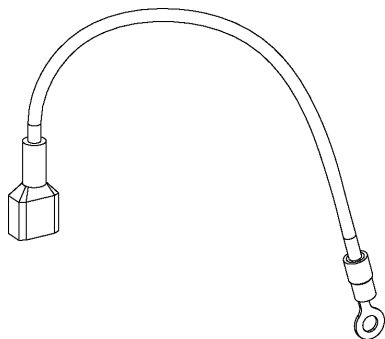


INSTRUCTION, CYCLE COUNTER KIT
P/N 280590-01
(BMR-A, TUK-AWAY, MTB)



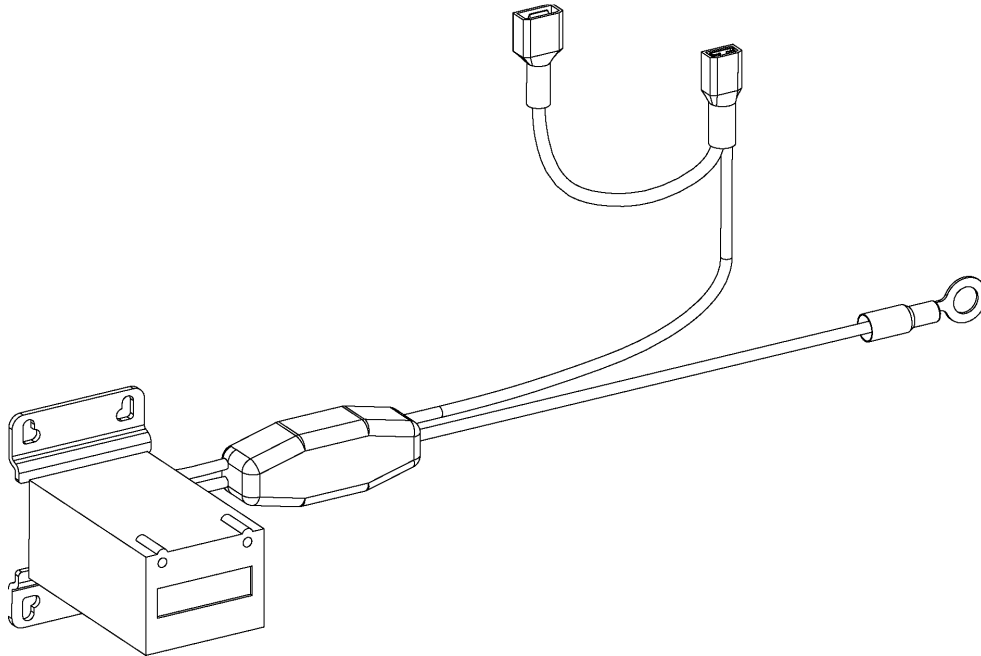
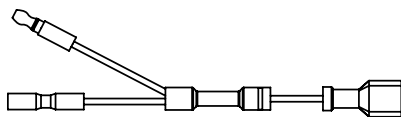
CYCLE COUNTER
P/N 280591-01
QTY. 1



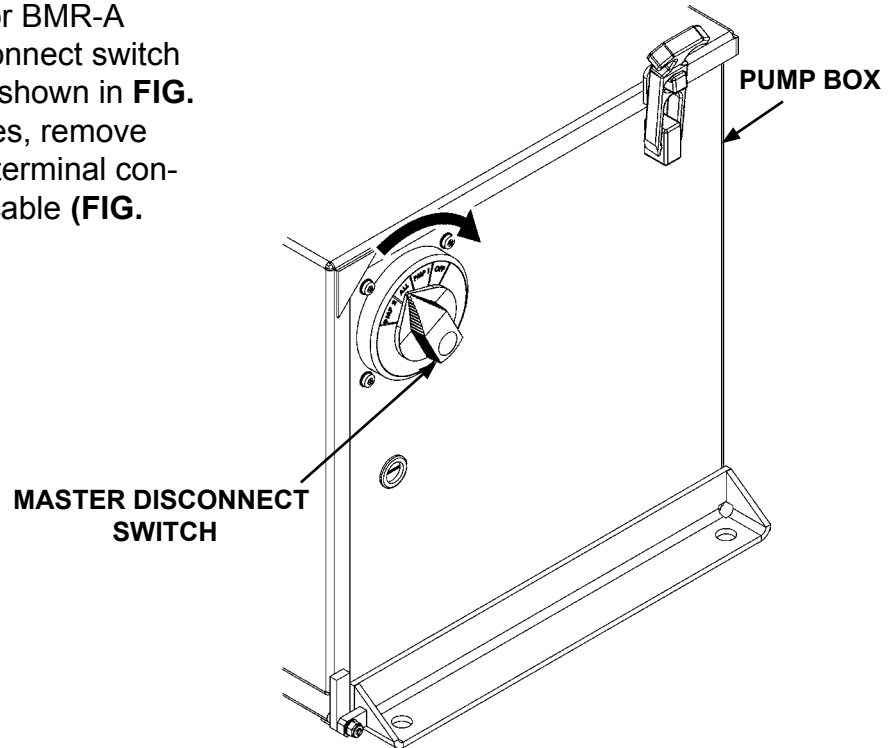
RED ADAPTER WIRE
P/N 280592-01
QTY. 1



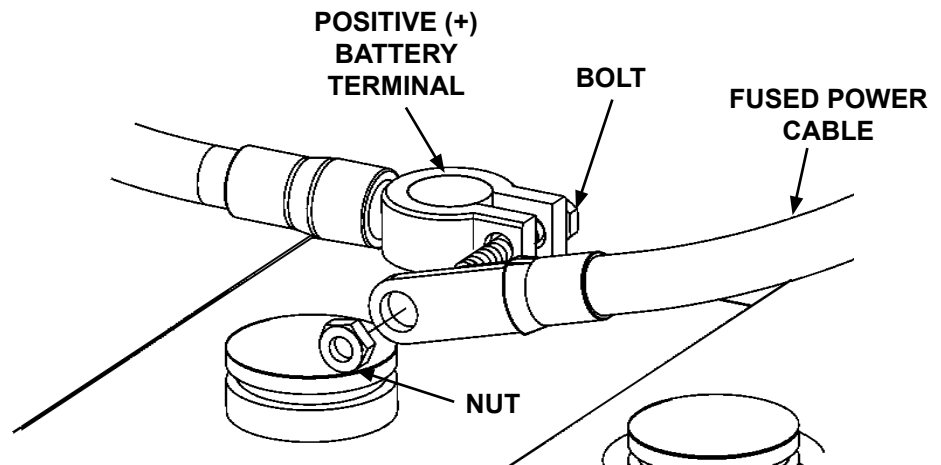
RIVET
P/N 904000-01
QTY. 4

**KIT P/N 280590-02
(GPT)****CYCLE COUNTER
P/N 280591-01
QTY. 1****TEE (WIRING)
P/N 282316-01
QTY. 1****RIVET
P/N 904000-01
QTY. 4**

1. Turn off power to Liftgate. For BMR-A Liftgates, rotate master disconnect switch (on pump box) clockwise as shown in **FIG. 3-1**. **3-1**. On TUK-A-WAY Liftgates, remove nut from positive (+) battery terminal connector to disconnect power cable (**FIG. 3-2**). Reinstall nut.



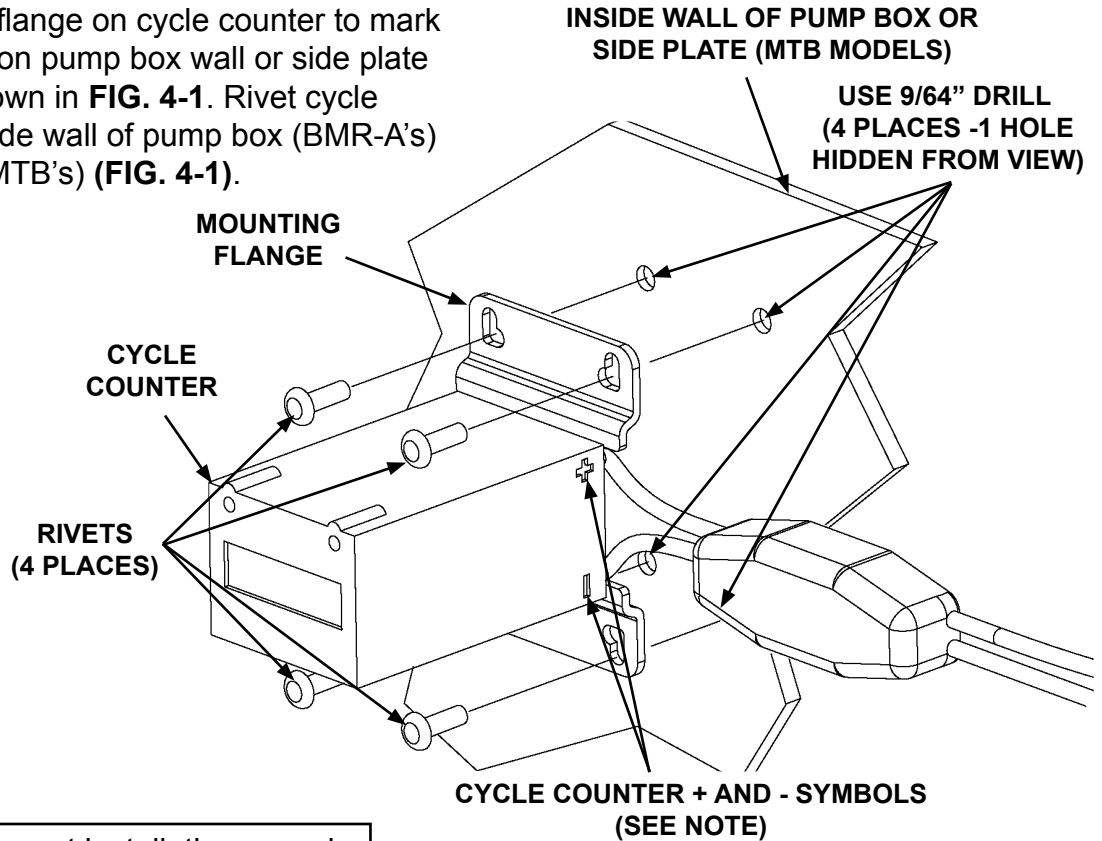
TURN OFF MASTER DISCONNECT SWITCH
FIG. 3-1



DISCONNECT POWER FROM LIFTGATE
FIG. 3-2

NOTE: Attach cycle counter where it will be easy to see, not interfere with other components, and be within length of wiring provided with Kit.

2. Use mounting flange on cycle counter to mark 4-hole pattern on pump box wall or side plate (MTB's) as shown in **FIG. 4-1**. Rivet cycle counter on inside wall of pump box (BMR-A's) or side plate (MTB's) (**FIG. 4-1**).



NOTE: For correct installation, + and - symbols printed on cycle counter must be positioned as shown in **FIG. 4-1**.

**MTB'S
FIG. 4-1**

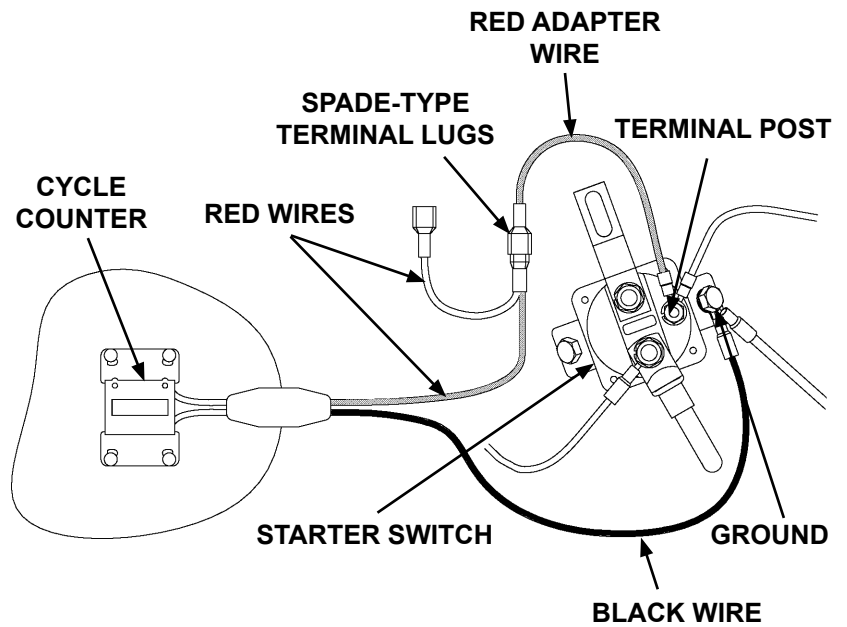
3. Wire the cycle counter (Kit item) to pump assembly. (Refer to **TABLE 4-1**.)

WIRING TO PUMPS	
MODEL	INSTRUCTIONS
Slimline vertical pump	Refer to slimline vertical pump on sheet 5.
GPT pump	Refer to GPT pump on sheet 6.
BMR-A dual pump	Refer to dual pump on sheet 7.
BMR-A single pump	Refer to single pump on sheet 8.
MTB pump	Refer to MTB pump on sheet 9.

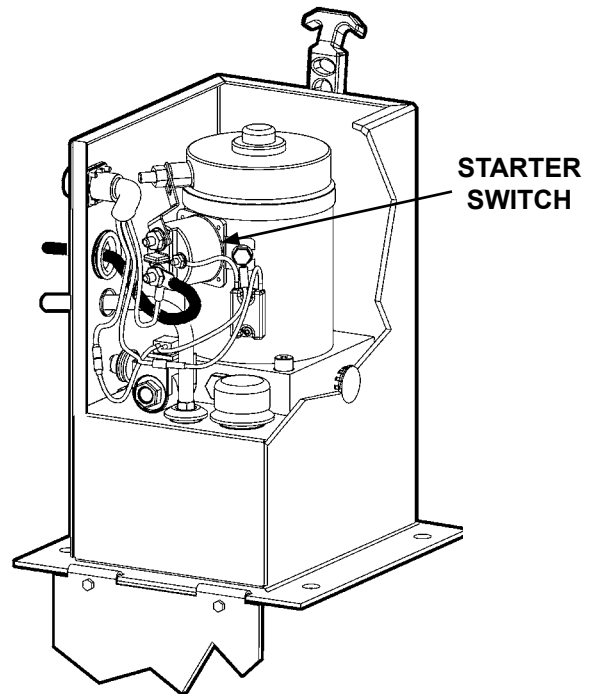
TABLE 4-1

SLIMLINE VERTICAL PUMP (USE KIT P/N 280590-01)

Connect ring-type terminal lug, on red adapter wire, to starter switch terminal post (**FIG. 5-1**). Pump assembly is shown in **FIG. 5-2**. Connect spade-type terminal lug on red adapter wire to terminal lug on cycle counter red wire. Bolt terminal lug, on cycle counter black wire, to ground on starter switch (**FIG. 5-1**).



**WIRING CYCLE COUNTER TO
SLIMLINE VERTICAL PUMP
FIG. 5-1**

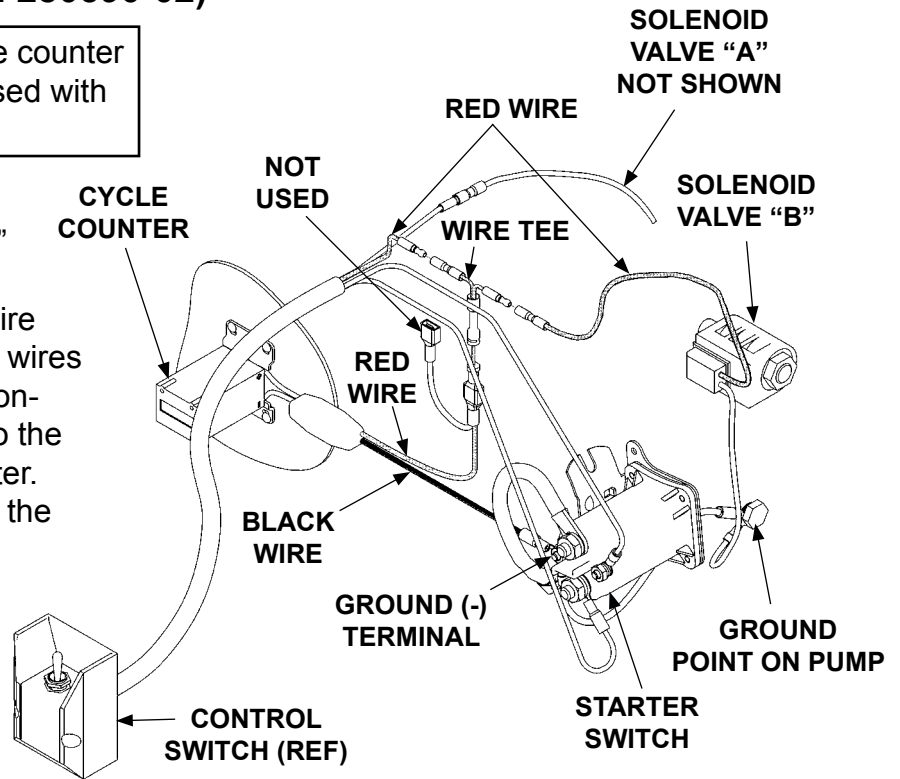


**SLIMLINE VERTICAL PUMP
FIG. 5-2**

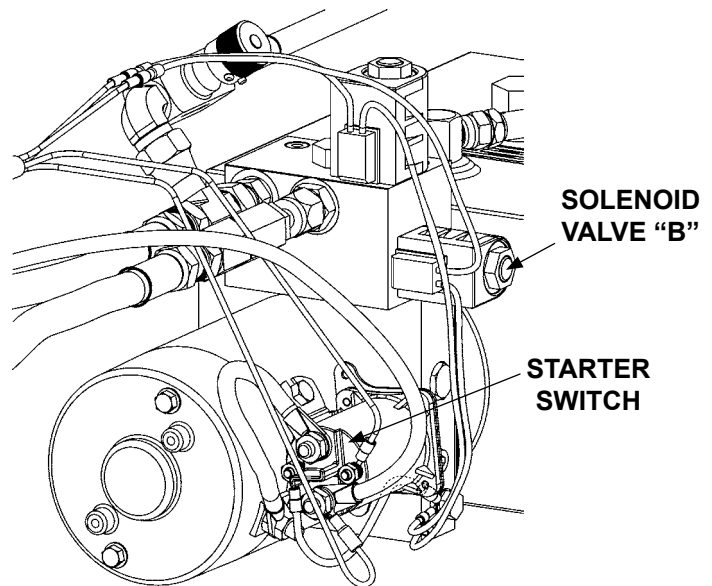
GPT PUMP (USE KIT P/N 280590-02)

NOTE: Male terminal on cycle counter red wire assy is not used with the GPT pump assy.

Disconnect red wire bullet terminals to solenoid valve "B" (FIG. 6-1). Pump assembly is shown in FIG. 6-2. Connect wire tee (Kit item) between the red wires for the solenoid valve. Next, connect wire tee spade terminal to the red (+) wire on the cycle counter. Then, bolt the ring terminal on the cycle counter black (-) wire to the ground point on the pump body.



**WIRING CYCLE COUNTER TO GPT PUMP
FIG. 6-1**



**GPT PUMP
FIG. 6-2**

BMR-A WITH OLD DUAL PUMP (USE KIT P/N 280590-01)

NOTE: Red adapter wire is not needed with BMR-A equipped with dual pumps. Disconnect from cycle counter red wire.

Disconnect light blue wire from #5 terminal on pump select switch (FIG. 7-1). Connect male spade-type terminal lug on cycle counter red wire to female spade-type terminal lug on light blue wire (FIG. 7-1). Next, connect cycle counter red wire to #5 terminal on pump select switch FIG. 7-1). Then, connect ring-type terminal lug on cycle counter black wire to starter switch (-) terminal shown in FIG. 7-1. Pump assemblies are shown in FIGS. 7-2 and 7-3.

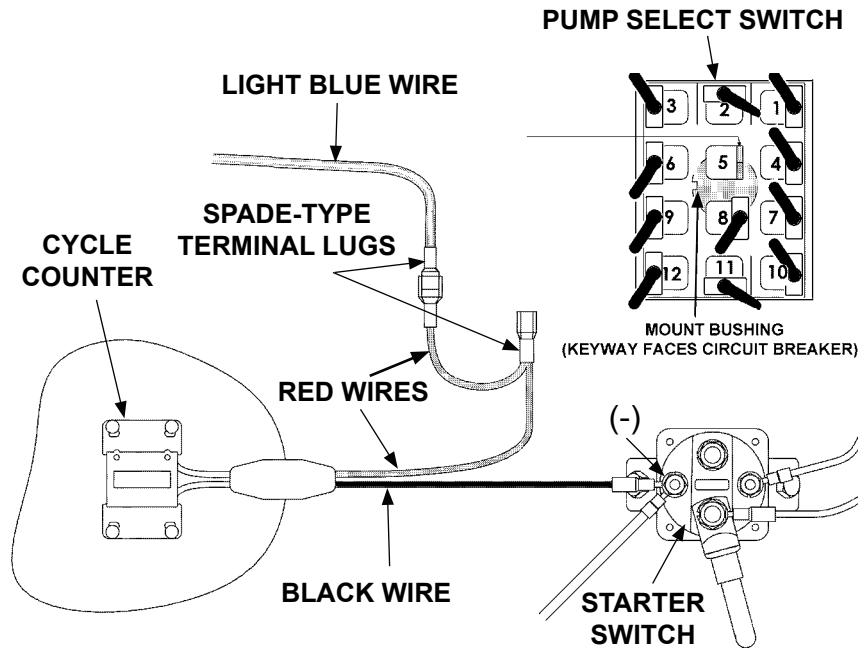
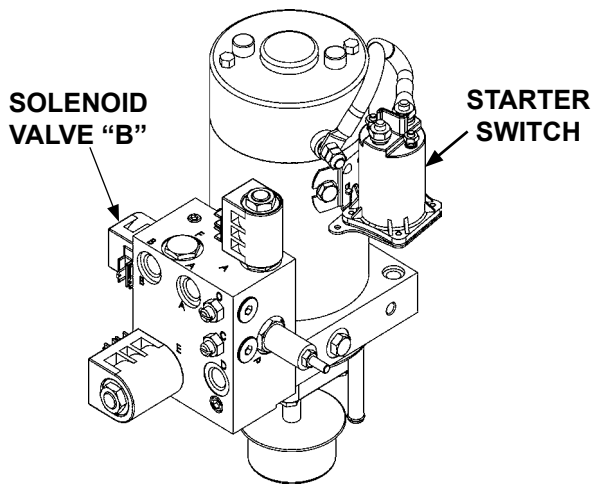
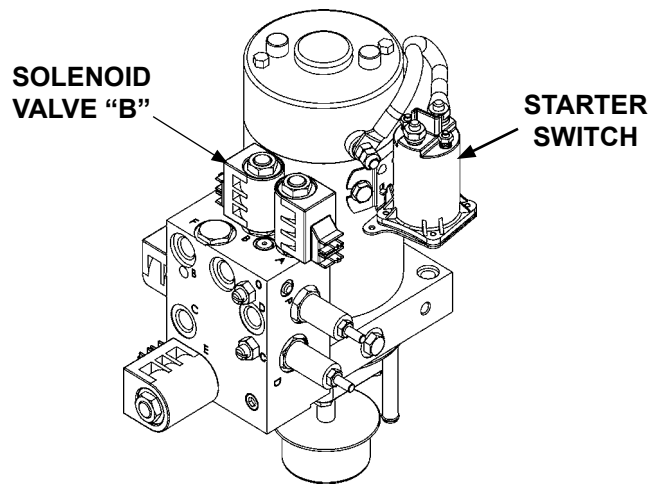


FIG. 7-1



BMR-A GRAVITY DOWN PUMP
FIG. 7-2

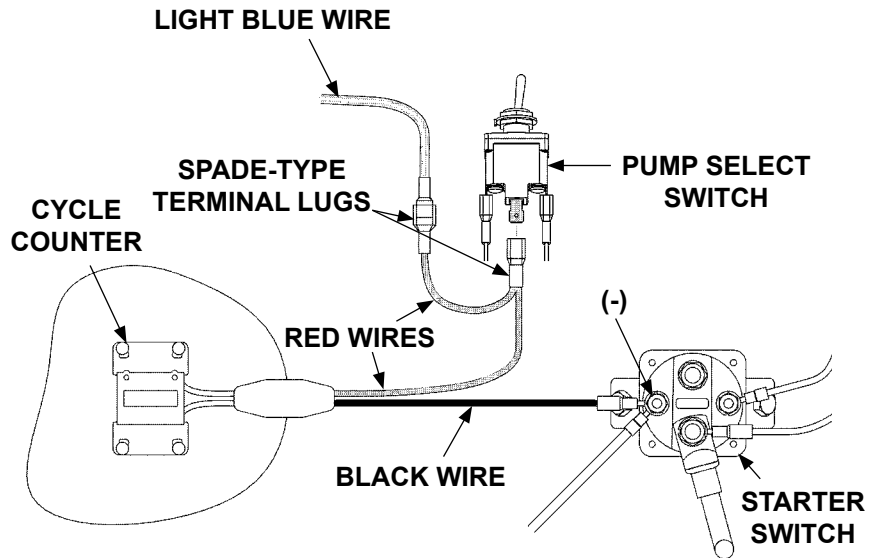


BMR-A POWER DOWN PUMP
FIG. 7-3

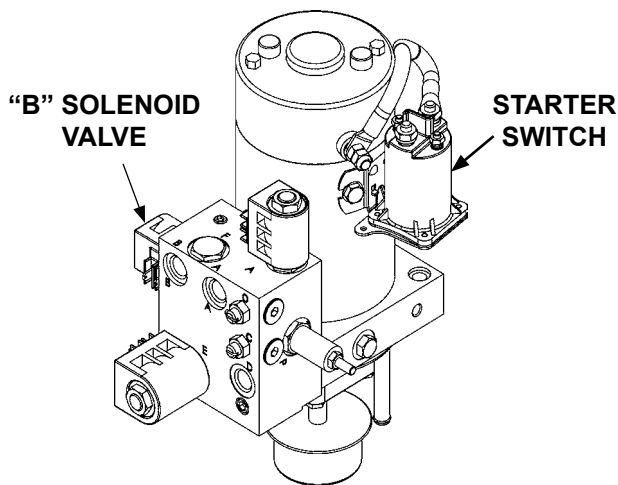
BMR-A WITH DUAL PUMP (USE KIT P/N 280590-01)

NOTE: Red Adapter Wire is not needed with BMR-A equipped with dual pumps. Disconnect from cycle counter red wire.

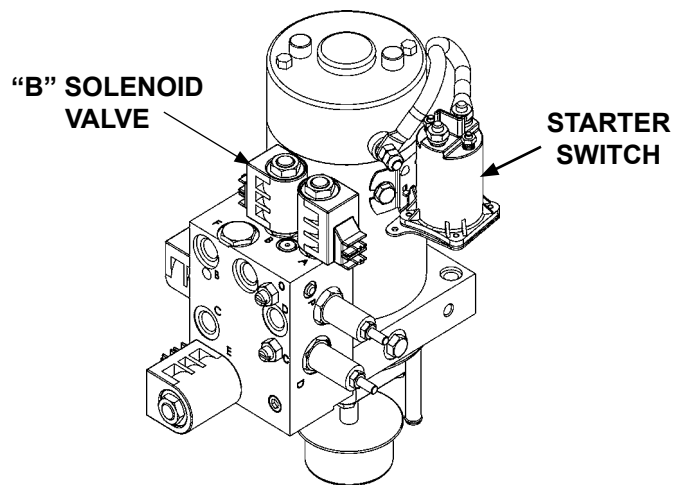
Disconnect light blue wire from middle terminal post on pump select switch (FIG. 8-1). Connect female spade-type terminal lug on cycle counter red wire to middle terminal post on switch (FIG. 8-1). Connect light blue wire to male spade-type terminal lug on cycle counter red wire (FIG. 8-1). Connect ring-type terminal lug on cycle counter black wire to starter switch terminal post shown in FIG. 8-1. Pump assemblies are shown in FIGS. 8-2 and 8-3.



**BMR-A WITH DUAL PUMP
FIG. 8-1**



**BMR-A GRAVITY DOWN PUMP
FIG. 8-2**

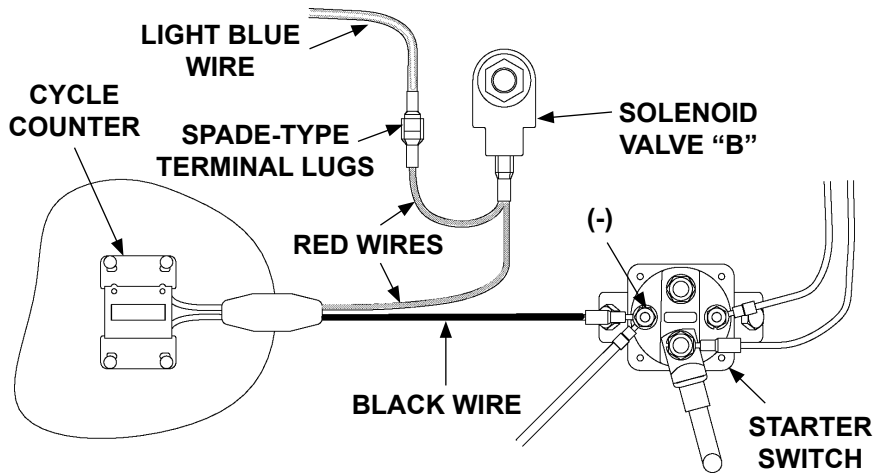


**BMR-A POWER DOWN PUMP
FIG. 8-3**

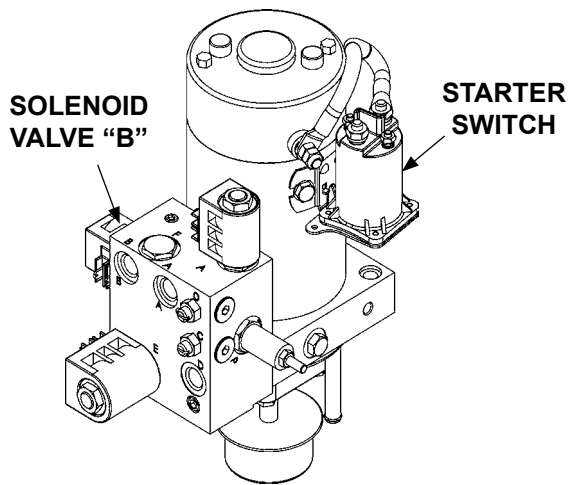
BMR-A WITH SINGLE PUMP (USE KIT P/N 280590-01)

NOTE: Red adapter wire is not needed with a BMR-A single pump. Disconnect red adapter wire from cycle counter wiring.

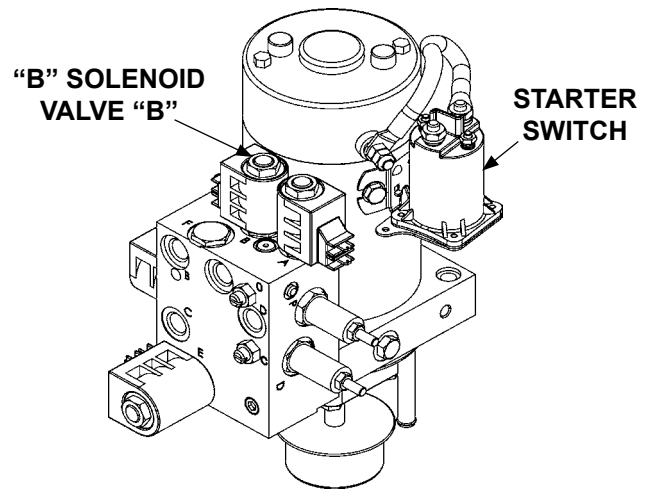
Disconnect light blue wire from "B" solenoid valve (FIG. 9-1). Pumps are shown in FIGS. 9-2 and 9-3. Connect light blue wire to male spade-type terminal lug on cycle counter red wire (FIG. 9-1). Connect female spade-type terminal lug on red wire to "B" solenoid valve (FIG. 9-1). Connect cycle counter black wire to starter switch (-) terminal (FIG. 9-1).



**BMR-A WITH SINGLE PUMP
FIG. 9-1**



**BMR-A GRAVITY DOWN PUMP
FIG. 8-2**

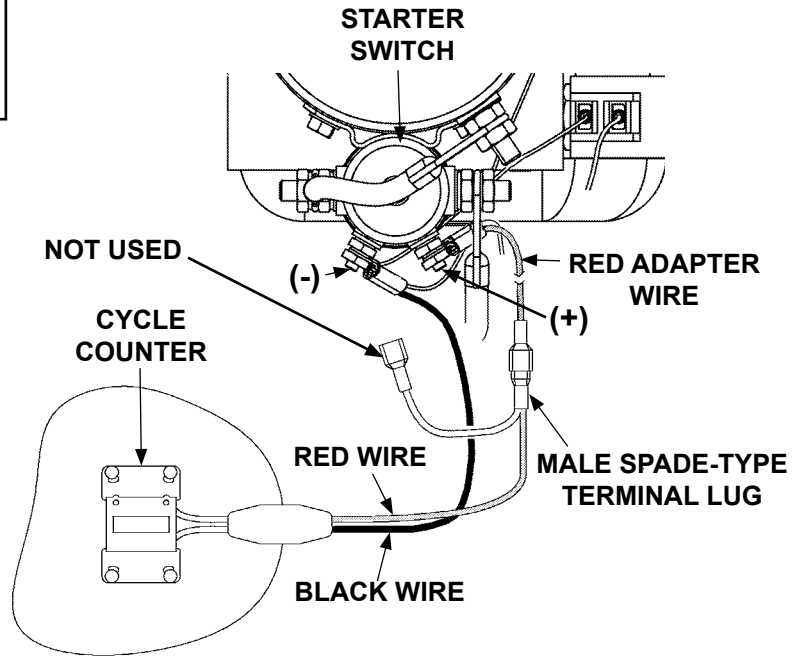


**BMR-A POWER DOWN PUMP
FIG. 8-3**

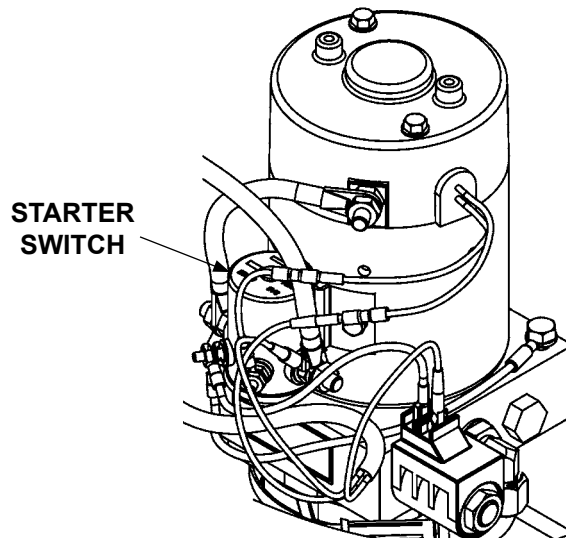
MTB PUMP (USE KIT P/N 280590-01)

NOTE: Male spade-type terminal lug on cycle counter red wire is not used.

Connect ring-type terminal lug, on red adapter wire, to starter switch (+) terminal post as shown in **FIG. 10-1**. Connect spade-type terminal lug on red adapter wire to terminal lug on cycle counter red wire. Bolt terminal lug, on cycle counter black wire, to starter switch (-) terminal (**FIG. 10-1**).

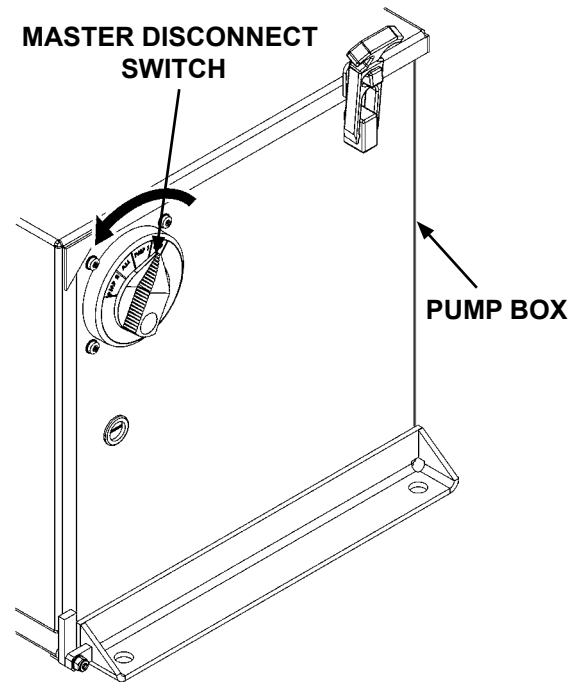


**WIRING CYCLE COUNTER TO
MTB PUMP
FIG. 10-1**

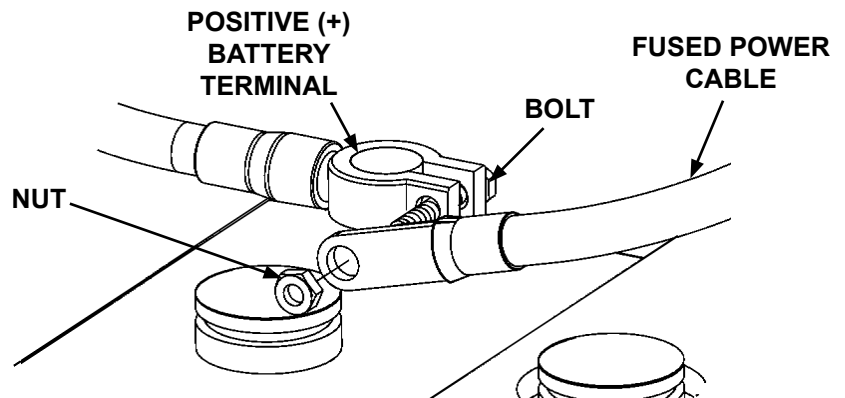


**MTB PUMP MOTOR
FIG. 10-2**

4. Turn on power to Liftgate. For BMR-A Liftgates, rotate master disconnect switch (on Pump Box) counter-clockwise as shown in **FIG. 11-1**. On TUK- A-WAY Liftgates, remove nut from positive (+) battery terminal connector (**FIG. 11-2**). Connect power cable to the positive (+) battery terminal connector (**FIG. 11-2**). Reinstall and tighten nut.



SWITCH LOCATION ON PUMP BOX
FIG. 11-1



CONNECT POWER TO LIFTGATE
FIG. 11-2

Note: Count is delayed for 5 seconds.

5. Raise and lower Liftgate Platform 1 or more times (see **Liftgate Operation Manual**). Check number on cycle counter indicator (**FIG. 11-3**). The number of raise and lower cycles must equal the number indicated on cycle counter.

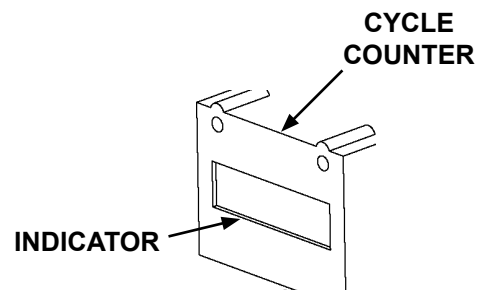


FIG. 11-3