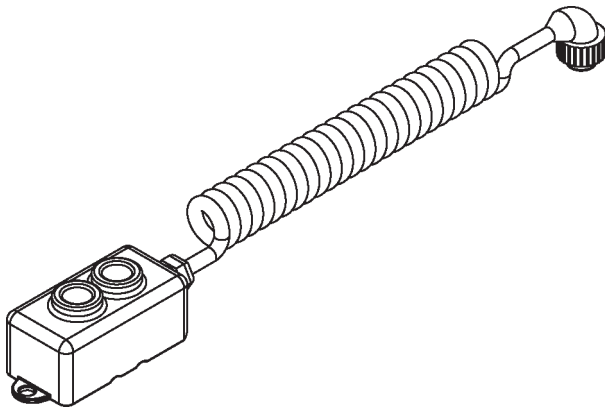
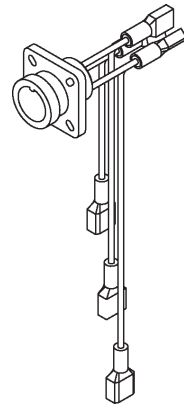


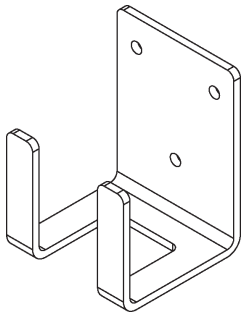
**INSTRUCTION, HAND HELD CONTROL KIT
(TUK LIFTGATES)
P/N 280570-01**



**CONTROL BOX AND COILED CORD
P/N 263231
QTY. 1**



**CONTROL HARNESS
P/N 280587-01
QTY. 1**



**BRACKET HOLDER
P/N 280588-01
QTY. 1**



**RIVET, 1/2" LG
P/N 903700-03
QTY. 4**



**RIVET, 9/16" LG
P/N 904005-2
QTY. 3**

1. Shut off power to pump by removing nut from positive (+) battery terminal connector and disconnect Power Cable (**FIG. 1**). Re-install nut on positive (+) battery terminal connector.

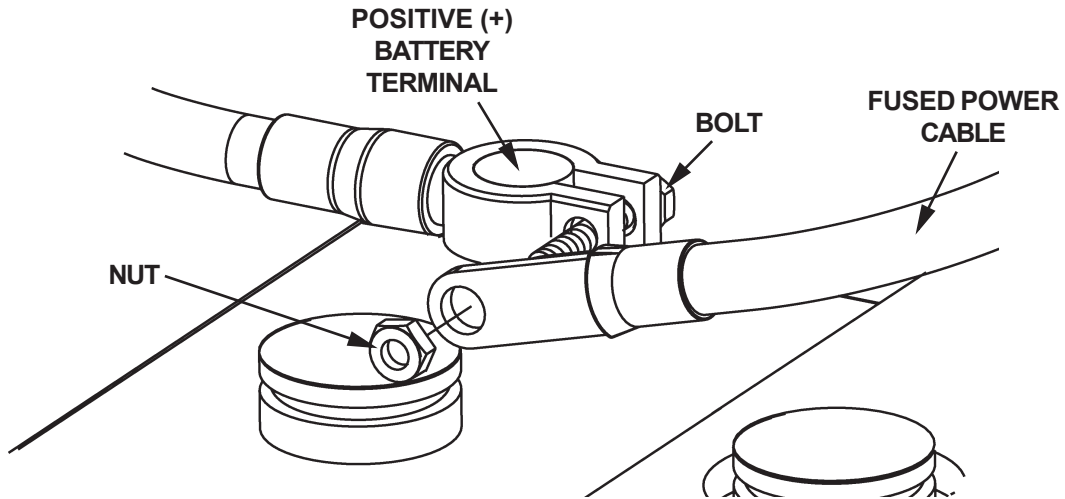


FIG. 1

NOTE: Tape disconnected wiring to Vertical Post to prevent it from falling inside post.

2. Remove 2 self-tapping screws and Existing Switch Control from Vertical Post (**FIG.2A**) on truck body. Disconnect Switch Control from Wire Harness (**FIG. 2B**).

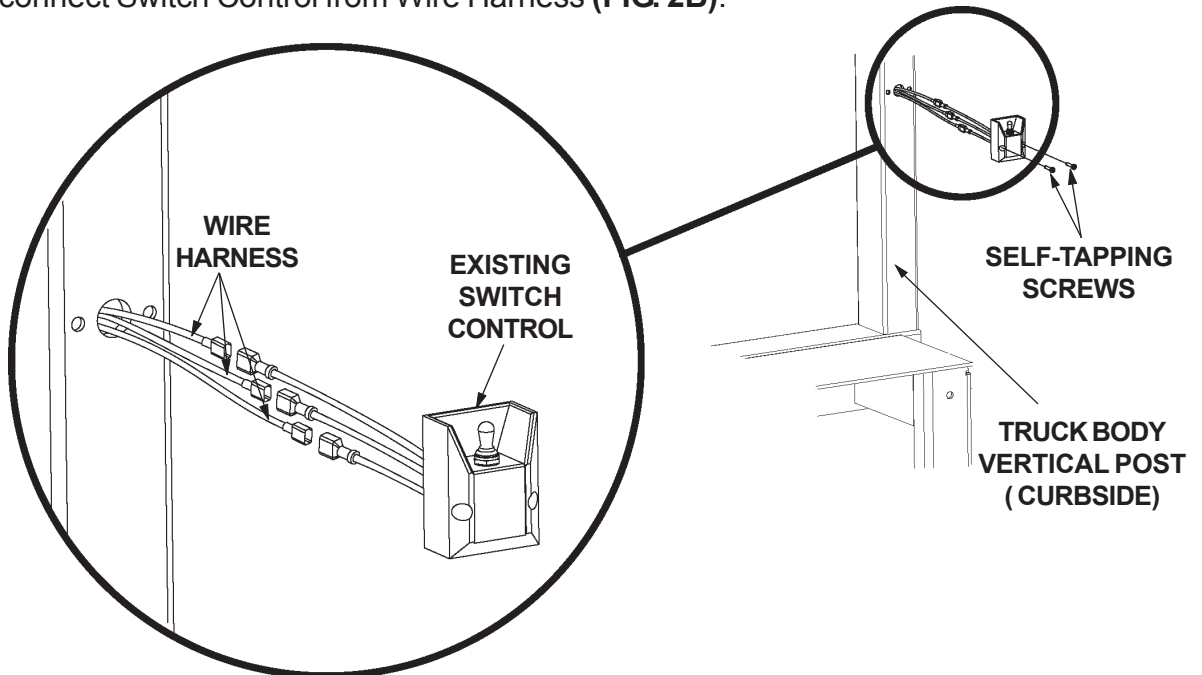
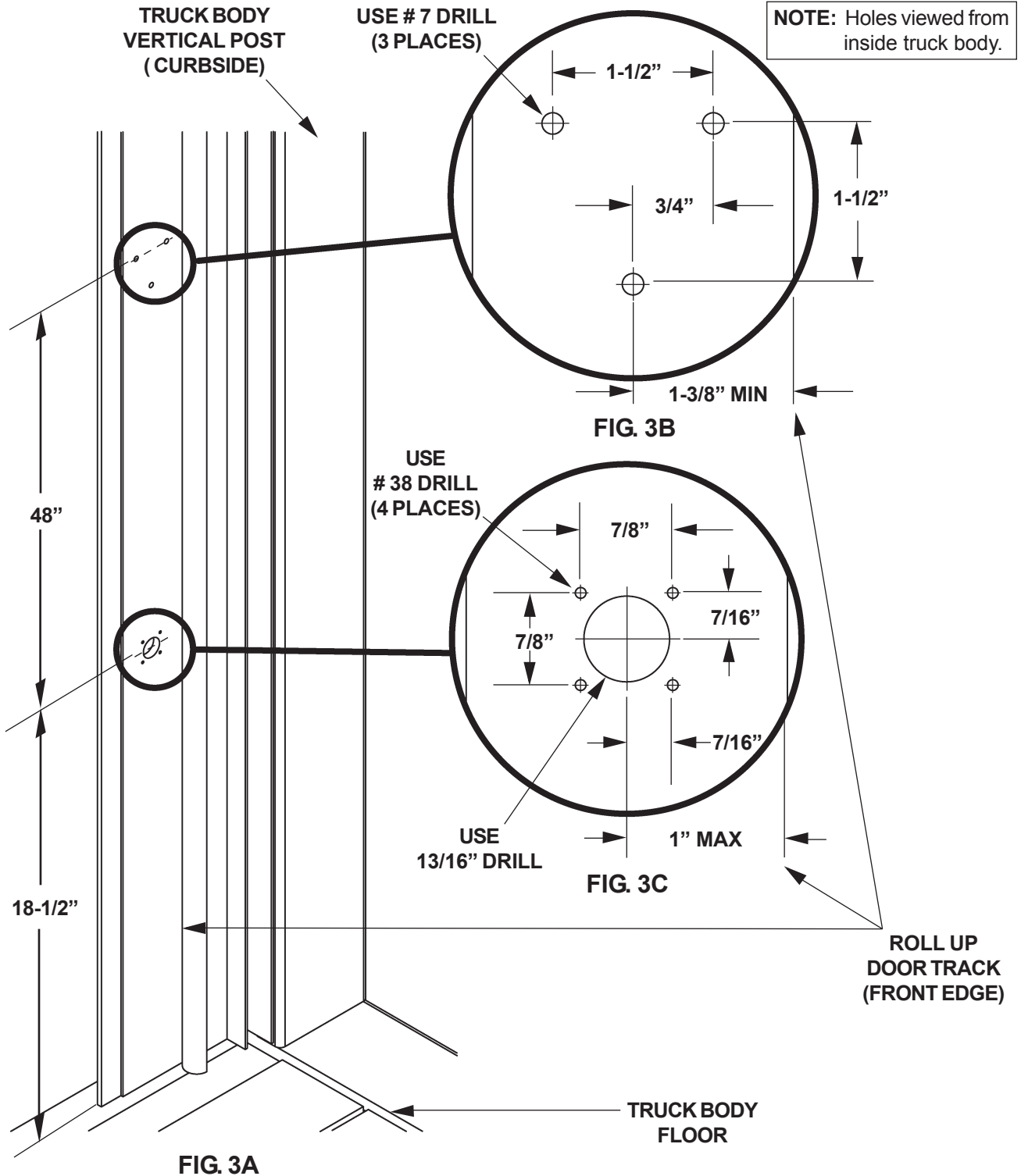


FIG. 2B

FIG. 2A

3. Drill holes for Bracket Holder and Control Harness on inside of truck body (**FIG. 3A**) as shown in **FIG. 3B** and **FIG. 3C**.



4. Run Control Harness through 13/16" hole (inside truck body) and out 3/4" hole (outside truck body) as shown in **FIG. 4**.

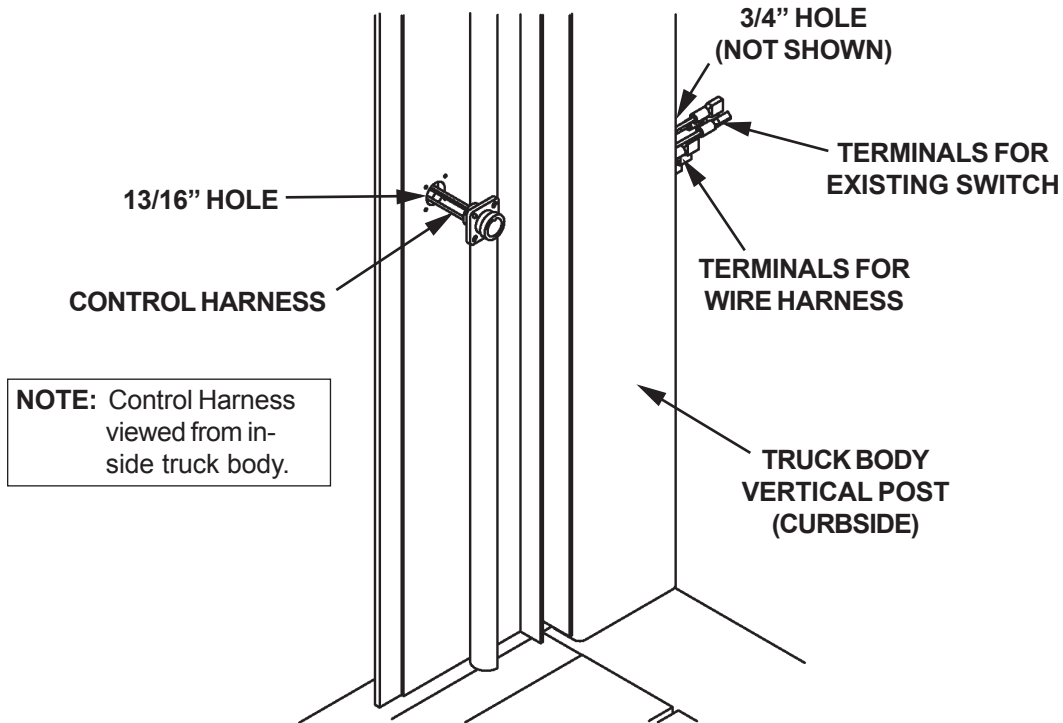
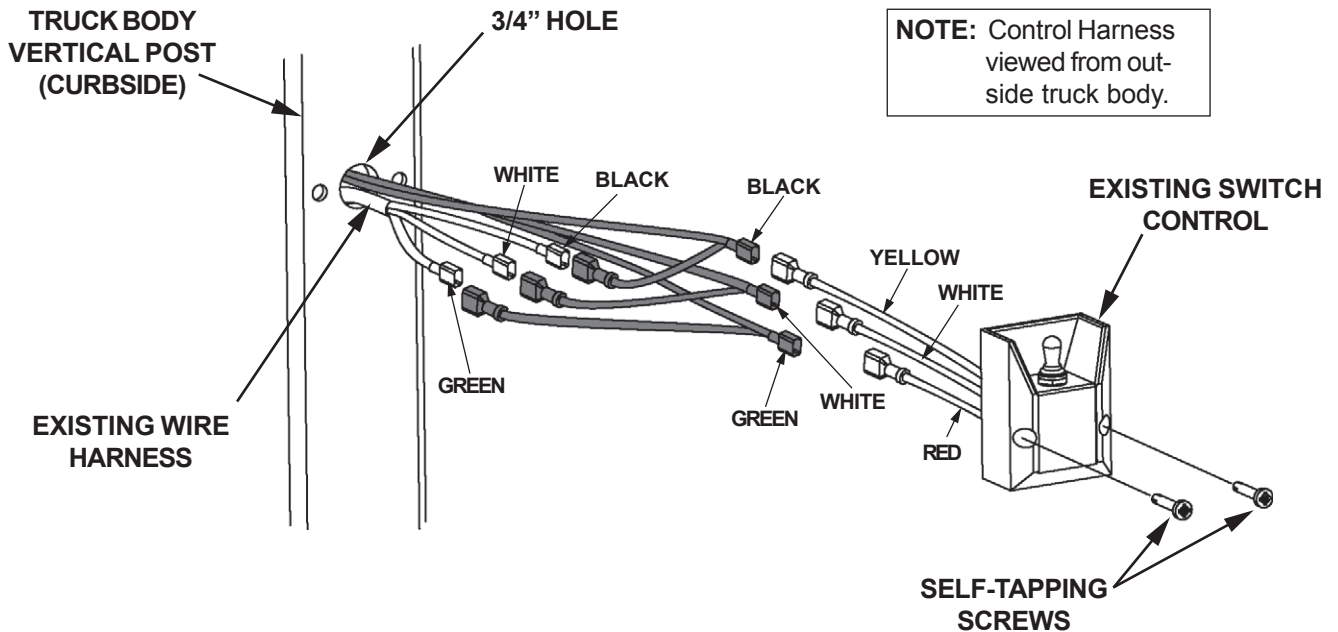


FIG. 4

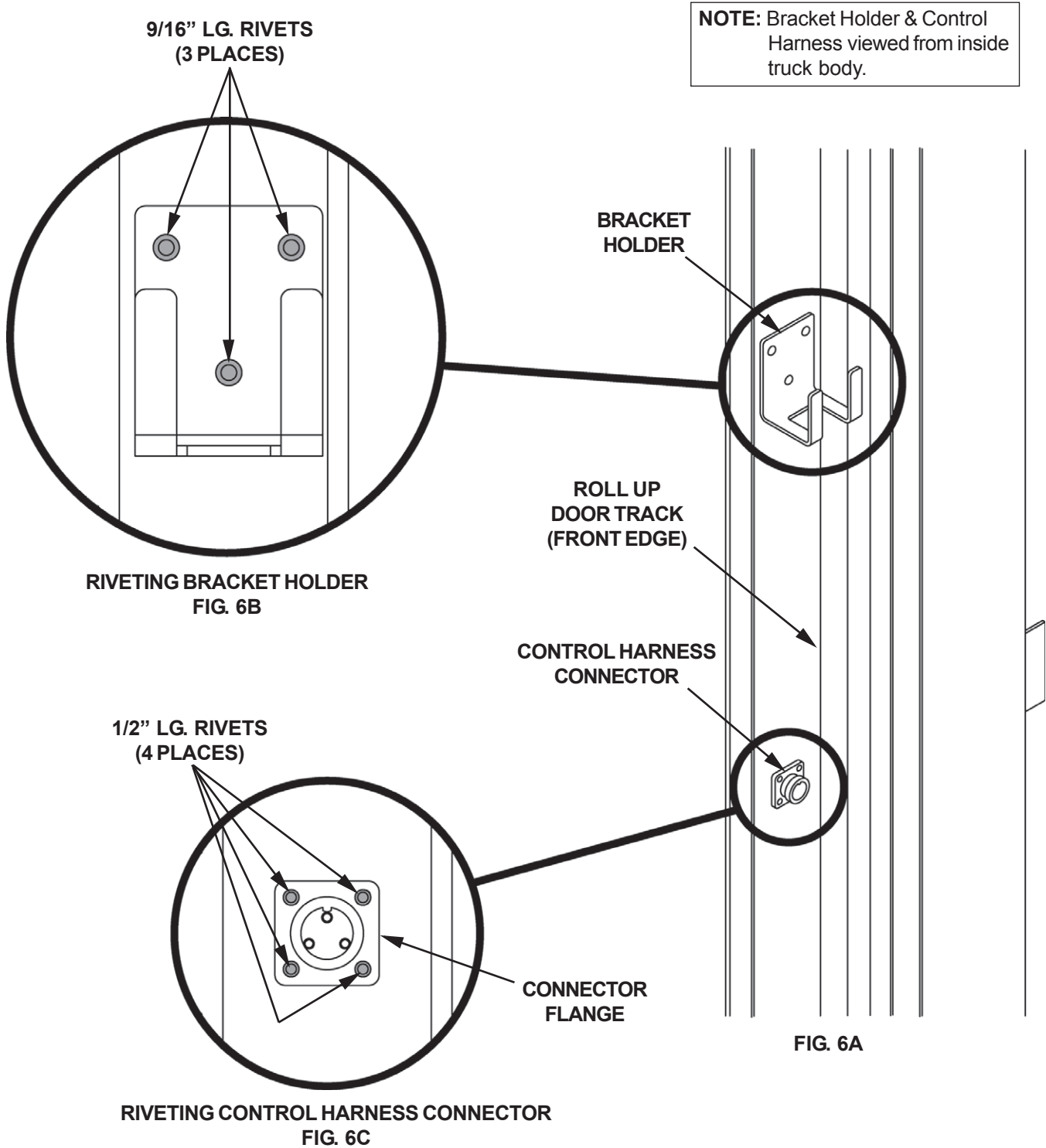
5. Connect Control Harness to Existing Wire Harness and Switch Control as shown in **FIG. 5**. Push all exposed wiring back into the 3/4" hole in Vertical Post until Switch Control touches the post. Attach Switch Control to Vertical Post with 2 self-tapping screws.



**CONTROL HARNESS CONNECTIONS
(HARNESS SUPPLIED WITH KIT IS SHADED)**

FIG. 5

6. Rivet Bracket Holder and Control Harness Connector to Truck Body (**FIG. 6A**) as shown in **FIG. 6B** and **FIG. 6C**.



7. Place Control Box in Bracket Holder (**FIG. 7**). Connect Coiled Cord to Control Harness Connector.

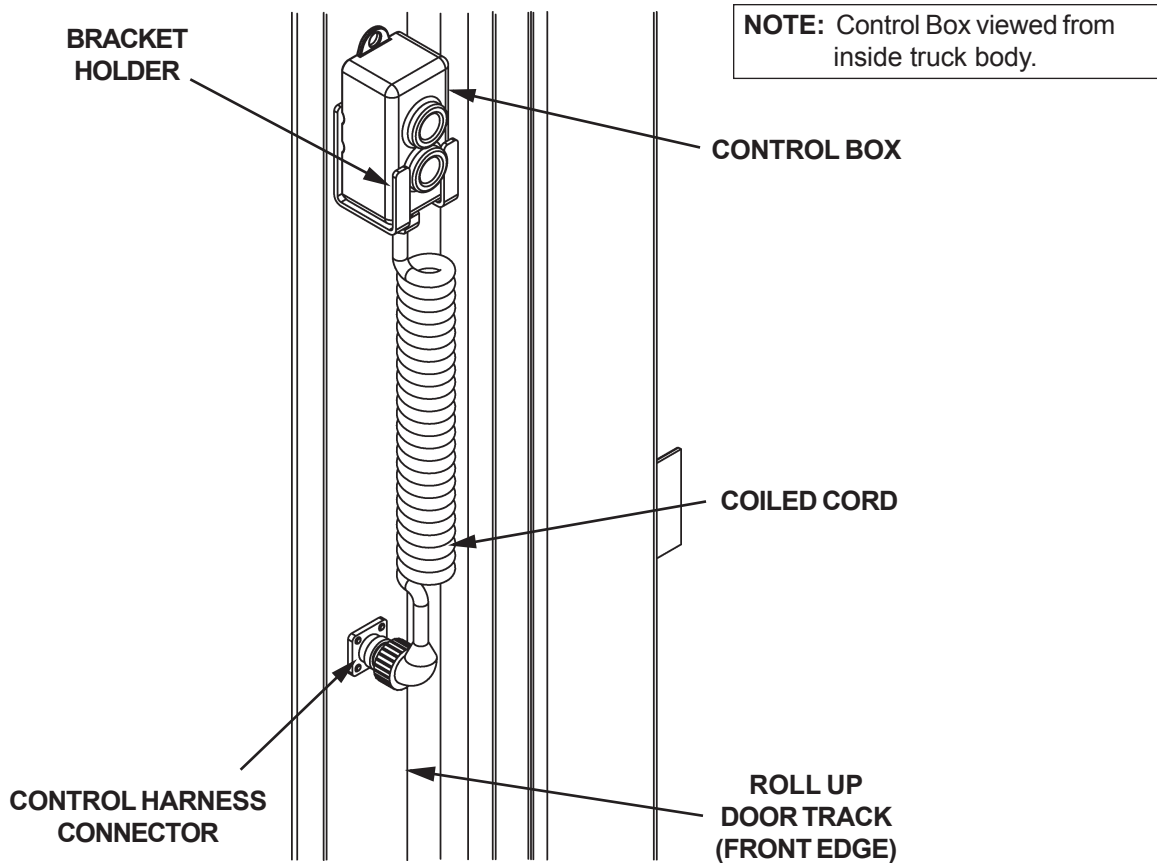


FIG. 7

8. Remove nut from positive (+) battery terminal connector to reconnect Power Cable (**FIG. 8**). Connect Power Cable to positive (+) battery terminal connector (**Fig. 8**). Re-install and tighten nut.

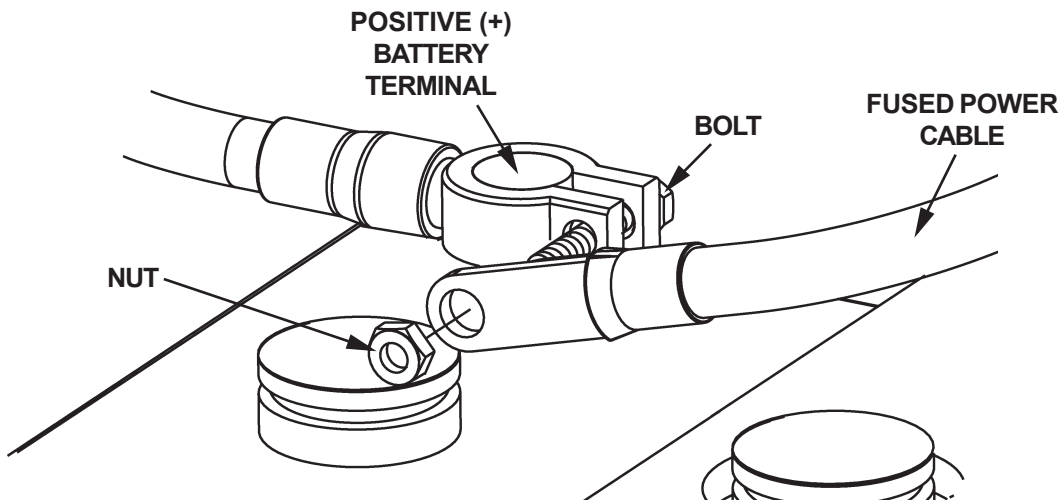


FIG. 8

9. To verify Hand Held Control Box (**FIG. 9**) operates correctly, push **LOWER** button on Control Box (**FIG. 9**) to **LOWER** Platform to ground level. Push **RAISE** button on Control Box (**FIG. 9**) to **RAISE** Platform all the way to Extension Plate.

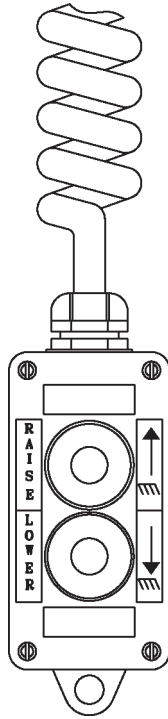


FIG. 9