

TKL-25

OPERATION MANUAL



M-98-09
REV. C
FEBRUARY 2004

© MAXON Lift Corp. 2004

KEEP THIS MANUAL IN CAB OF VEHICLE

For a free copy of other manuals that pertain to this Liftgate, please visit our website at www.maxonlift.com or call Customer Service at (800) 227-4116.

Table of Contents

WARNINGS	Page 4
LIFTGATE TERMINOLOGY	Page 5
DECALS	Page 6
FORKLIFT ADVISORY	Page 8
OPERATION	Page 9

⚠ WARNING

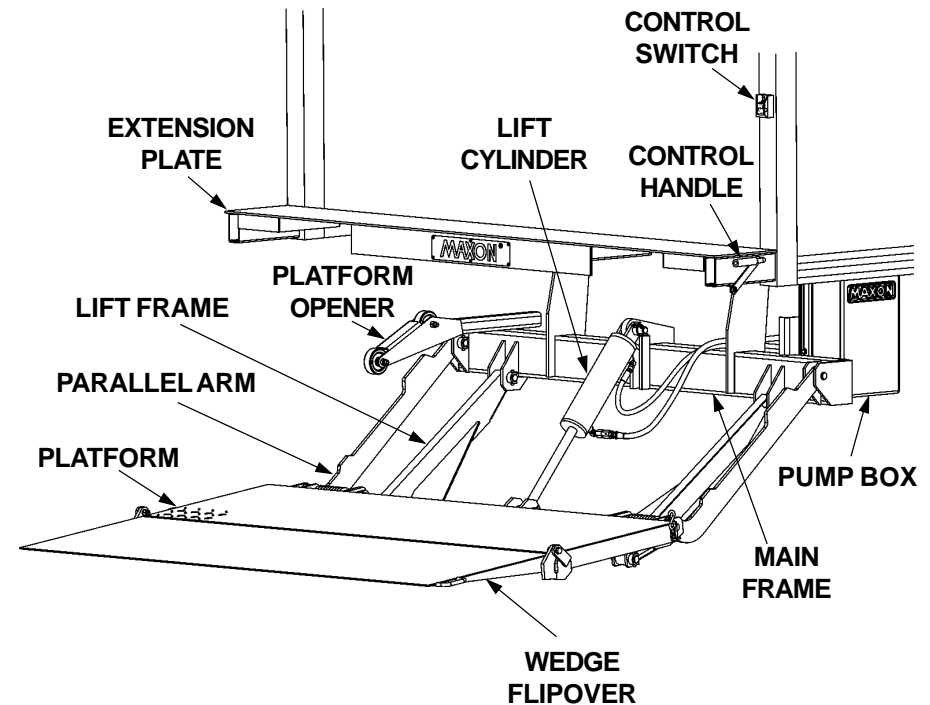
1. Incorrect operation of this Liftgate can result in serious personal injury. Comply with WARNINGS and Liftgate operating instructions in this manual. Do not allow untrained persons to operate the Liftgate. If you need to replace an **Operation Manual**, additional copies are available from:

MAXON Lift Corp.
11921 Slauson Ave
Santa Fe Springs, CA 90670
(800) 227-4116

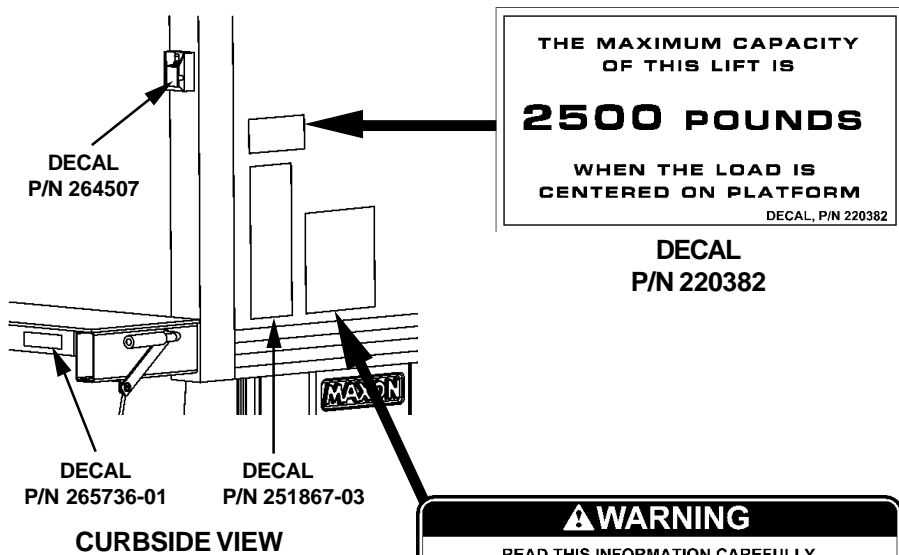
NOTE: For latest version Manuals (and replacements), download Manuals from Maxon's website at www.maxonlift.com.

2. Do not exceed rated load capacity of the Liftgates which is **2500 lbs.**
3. Do not allow any part of your body to be placed under, within, or around any portion of the moving Liftgate or its mechanisms, or in a position that would trap them between the platform and the floor of truck body (or between platform and the ground) when Liftgate is operated.
4. Consider the safety and location of bystanders and location of nearby objects when operating the Liftgate. Stand to one side of platform while operating the Liftgate. Be certain that the area the Liftgate will move through during operation is clear of all obstacles.
5. Comply with all attached instruction decals and warning decals.
6. Keep decals clean and legible. If decals are defaced or missing have them replaced. **Get free replacement decals from Maxon.**
7. **Never drive a forklift on the Liftgate Platform.**
8. Do not move vehicle unless Liftgate is correctly stowed.
9. **Correctly stow platform when not in use. Extended platforms could create a hazard for people and vehicles passing by.**
10. A correctly installed Liftgate will operate smoothly and reasonably quiet. The only noticeable noise, during Liftgate operation, is from the Pump Unit while the Platform is raised. Listen for scraping, grating and binding noises and have the problem corrected before continuing to operate the Liftgate.
11. Above all, **USE GOOD COMMON SENSE** when operating this Liftgate.

LIFTGATE TERMINOLOGY TKL-25



DECALS



WARNING

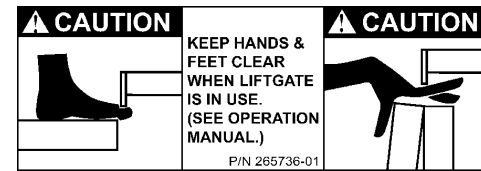
READ THIS INFORMATION CAREFULLY

- Improper operation of this Liftgate can result in serious personal injury. Do not operate unless you have been properly instructed and have read, and are familiar with the operating instructions. If you do not have a copy of the instructions, please obtain them from your employer, distributor, or lessor before you attempt to operate Liftgate.
- Be certain that the vehicle is properly and securely braked before using the Liftgate.
- Always inspect this Liftgate for maintenance or damage before using it. If there are signs of improper maintenance, damage to vital parts, or slippery Platform surface, do not use the Liftgate until these problems have been corrected.
- Do not overload the Liftgate. The load limit is based on evenly distributed cargo over the entire Platform surface. If you are using a pallet jack, be sure it can be maneuvered safely. Do not operate a forklift on the Platform or travel with the platform in an open position at any time.
- Load should be placed in a stable position close to the edge of the Platform nearest the truck. The heaviest portion of the load should never be placed beyond the center of the Platform away from the truck.
- Never allow yourself, a helper, or bystander to stand in a position where a falling load could land on either of you. Also do not allow any part of yours or your helper's body to be placed under, within, or around any portion of the moving Liftgate, or its mechanisms, or in a position that would trap them between the platform and the ground or truck when the Liftgate is operated.
- If a helper is riding the Platform with you, make sure you are both doing so safely and that you are not in danger of coming in contact with any moving or potentially moving obstacles. USE GOOD COMMON SENSE. If load appears to be unsafe, do not lift or lower it.

For a free copy of other manuals that pertain to this model Liftgate, please visit our website at www.maxonlift.com or call Customer Service at (800) 227-4116.

MAXON LIFT CORP. PART NO. 264081

DECAL P/N 264081



CAUTION DECAL P/N 265736-01

OPERATING INSTRUCTIONS

A. DEPRESS CONTROL HANDLE

B. PUSH CONTROL SWITCH

1 MUST TOUCH GROUND

2 USE HANDLE UNDER PLATFORM TO OPEN THE PLATFORM.

3 UNHOOK CHAIN FROM HANDLE ON FLIPOVER

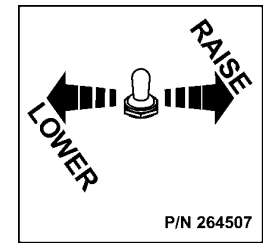
4 UNFOLD FLIPOVER.

5

6 TO TUCK UNIT AWAY REVERSE STEPS 1, 2, 3, & 4. STOW LIFTGATE UNDER HYDRAULIC PRESSURE.

DECAL, P/N 251867-03

INSTRUCTION DECAL P/N 251867-03



DECAL P/N 264507

FORKLIFT ADVISORY

⚠ WARNING

Keep Forklift OFF of Platform.

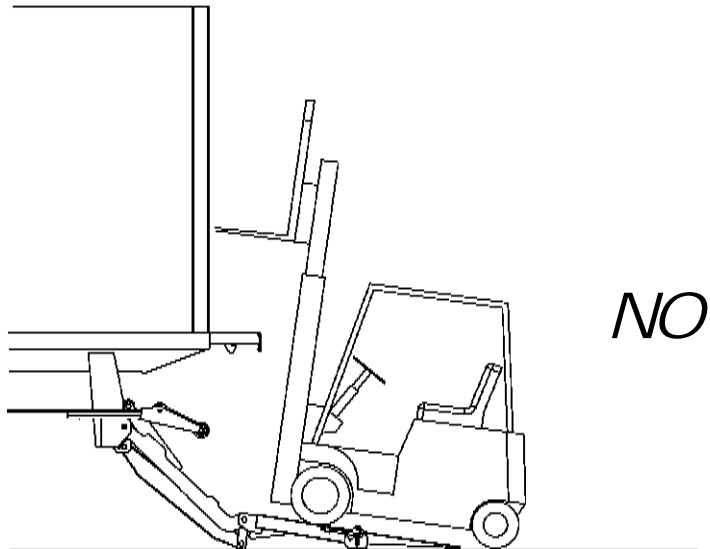
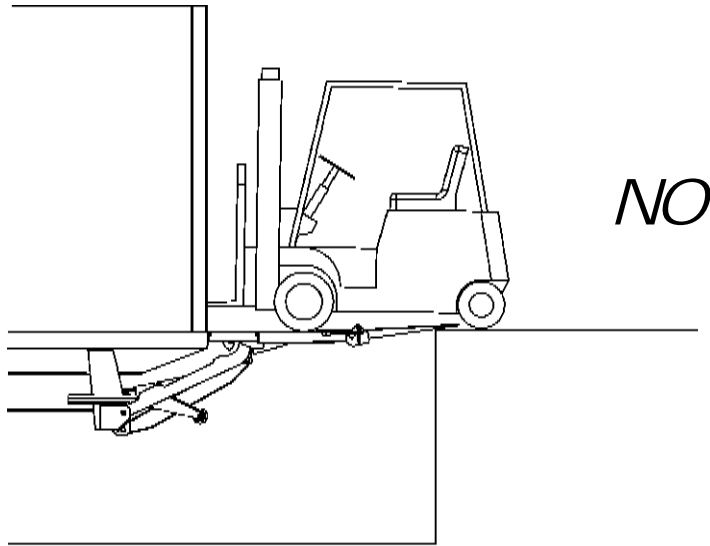


FIG. 8-1

OPERATION

CAUTION

Before lowering Liftgate, make sure chain (FIG. 9-1A) is secured to Platform and hooked to Handle on the Flipover .

1. Standing to the side of platform, push down control handle (FIG.9-1B) and push the toggle switch to **LOWER** position as shown in FIG. 9-1C. Release control handle after platform is lowered about 2 inches.

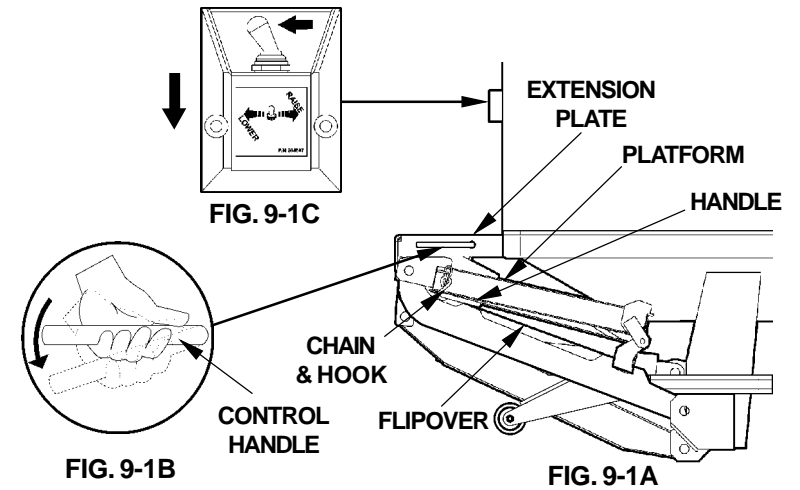


FIG. 9-1B

FIG. 9-1A

⚠ WARNING

Never operate Control Switch while unfolding (and folding) Platform and Flipover. Always use Handle on side of Flipover to unfold (and fold) Flipover. Holding the Flipover any other way can create a hazard and injure Operator.

2. Lower Liftgate until it touches the ground (FIG. 9-2A). Use handle (FIG. 9-2B) to unfold the platform (FIG. 9-2A) as shown in FIG. 9-3.

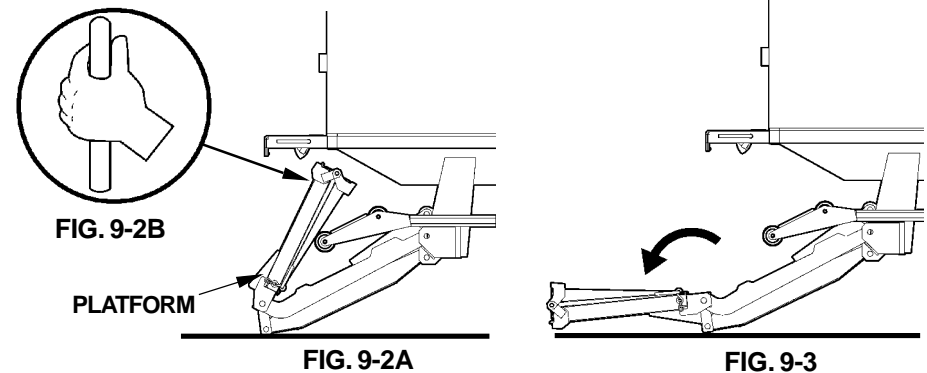


FIG. 9-2B

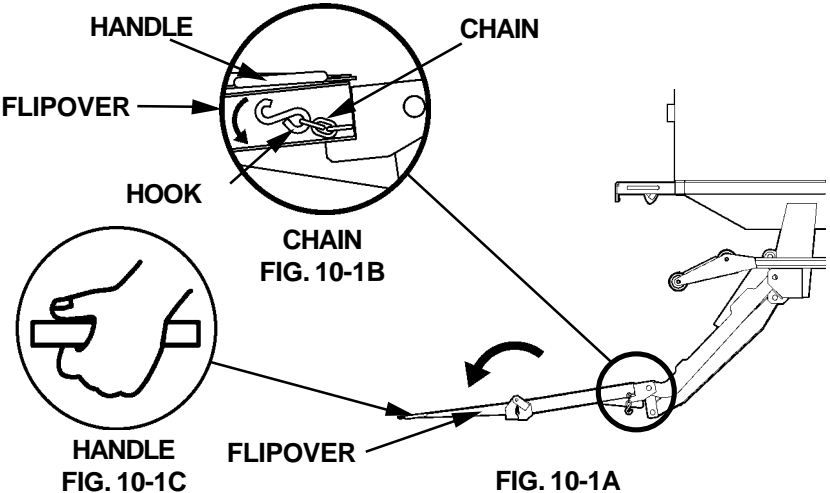
FIG. 9-2A

FIG. 9-3

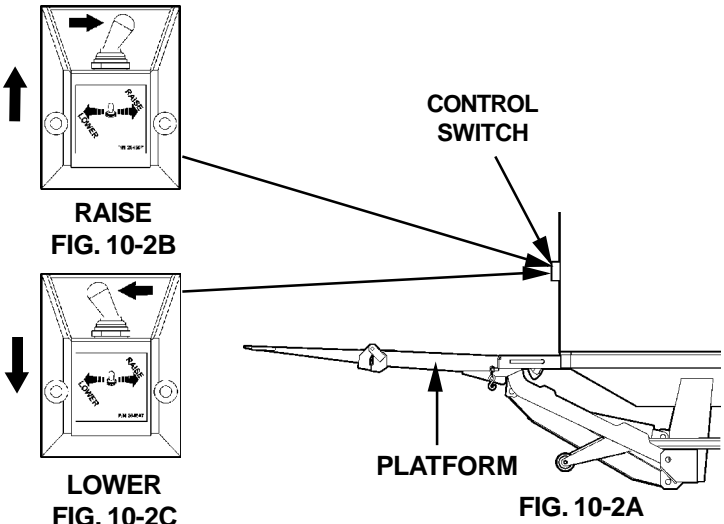
OPERATION - Continued

NOTE: While operating the Liftgate, you can stop Platform by releasing the Control Switch.

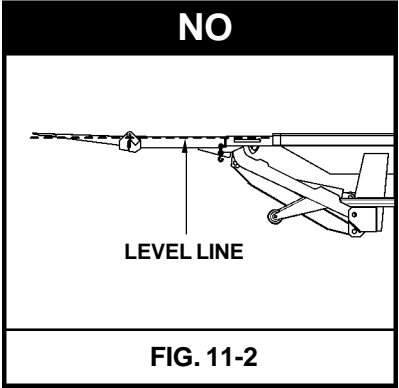
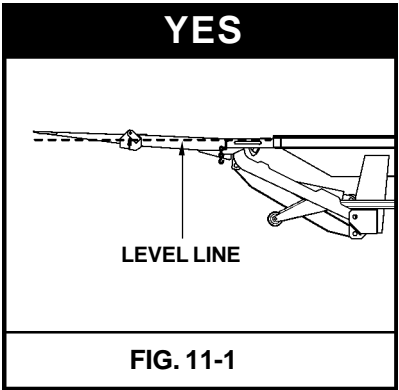
3. Unhook chain from handle on the Flipover(FIG. 10-1B). Then use handle (FIG. 10-1C) to unfold the flipover (FIG. 10-1A).



4. RAISE the Platform by pushing the Control Switch (FIG. 10-2A) to the RAISE position (FIG. 10-2B). If loading or unloading the platform, wait 1 second before releasing the Control Switch, after platform reaches bed height. If you need to LOWER the platform, push the Control Switch to LOWER position (FIG. 10-2C).



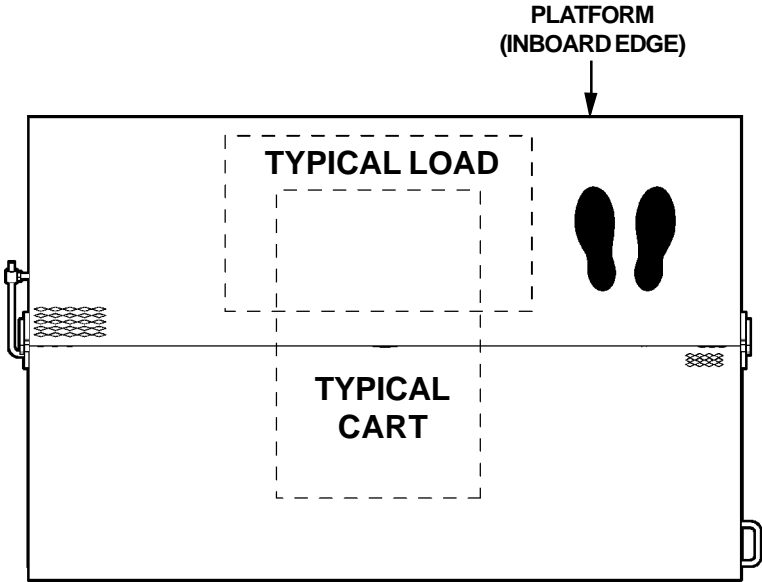
5. Make sure Platform is positioned like the YES illustrations in FIG. 11-1. At bed height with no load, outboard edge of Platform must be higher than extension plate. If Platform is positioned like the NO illustration (FIG. 11-2), get a qualified mechanic to correct the problem before operating the Liftgate.



OPERATION - Continued

⚠ WARNING
A load should never extend past the edges of the platform. Do not place unstable loads on platform and do not allow load to exceed the capacity of the Liftgate. If standing on platform, do not allow your feet to extend beyond the inboard edge of the platform.

6. Load the Platform as follows. Place all loads as close as possible to the inboard edge of the platform with heaviest part toward the truck body as shown in **FIG. 12-1**. If you need to stand on Platform with the load, stand in the footprint area shown and comply with the preceding **WARNING**.



CORRECTLY LOADED PLATFORM
FIG. 12-1

7. Stow the Liftgate by doing the following steps. **RAISE** the Platform 2" above the ground (**FIG. 13-1A**) by pushing the Control Switch to the **RAISE** position (**FIG. 13-1B**). Use handle to fold Flipover (**FIG. 13-1C**).

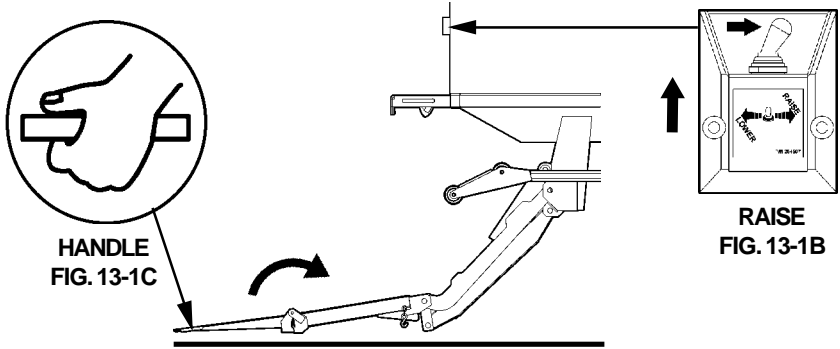


FIG. 13-1A

8. Fold the Flipover (**FIG. 13-2A**). Hook the chain on the handle (**FIG. 13-2B**) to lock the Flipover in position.

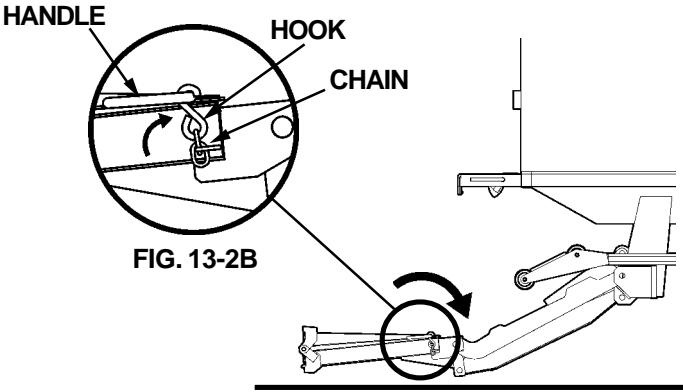


FIG. 13-2B

FIG. 13-2A

CAUTION

Before raising Liftgate, make sure chain (FIG. 10B) is secured to Platform and hooked to Handle on the Flipover .

9. Fold the Platform against Opener (FIG. 14-1).

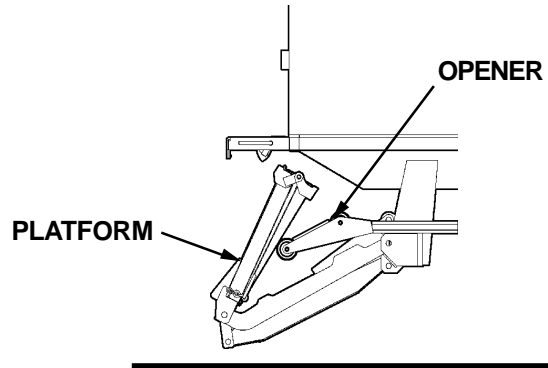
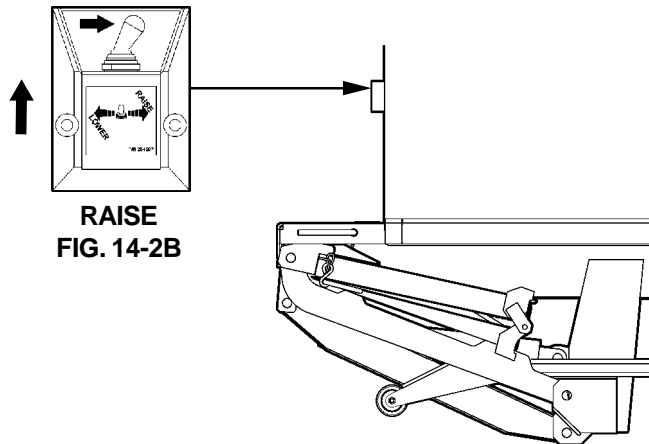


FIG. 14-1

10. RAISE the Liftgate to stowed position (FIG. 14-2A) by pushing Control Switch (FIG. 14-2B) to the RAISE position. Wait 1 second after Liftgate is all the way up to release Control Switch (FIG. 14-2B).



STOWED LIFTGATE
FIG. 14-2A