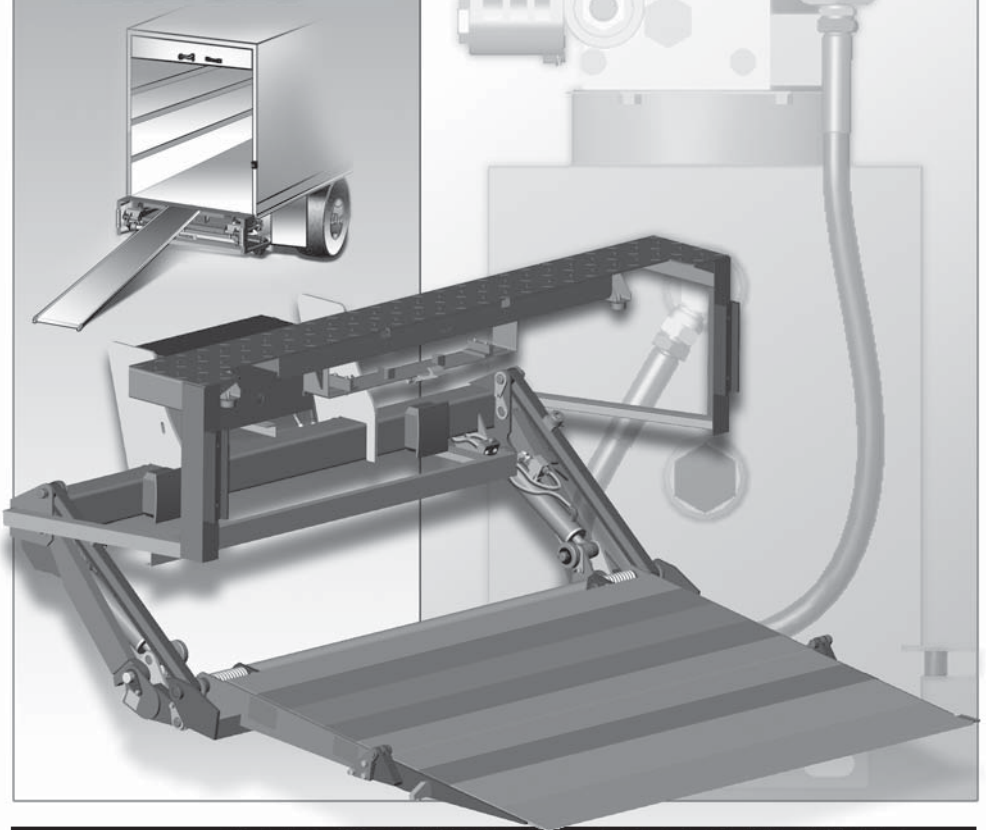


MAXON®

GPTWR-3

**OPERATION
MANUAL**



KEEP THIS MANUAL IN CAB OF VEHICLE

For a free copy of the manuals that pertain to this model Liftgate, please visit our website at www.maxonlift.com or call Customer Service at (800) 227-4116

TABLE OF CONTENTS

LIFTGATE TERMINOLOGY	5
RECOMMENDED DAILY OPERATION CHECKS.....	6
DECALS	8
FORKLIFT ADVISORY	11
OPERATION	12

WARNING

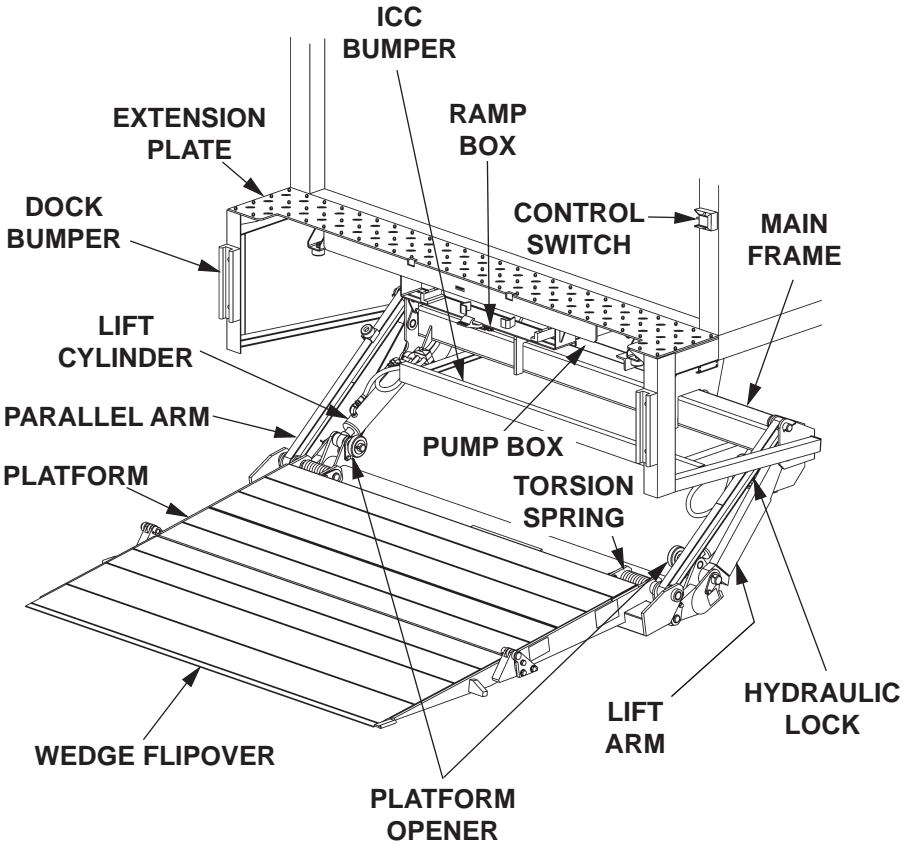
1. Incorrect operation of this Liftgate can result in serious personal injury. Comply with WARNINGS and Liftgate operating instructions in this manual. Do not allow untrained persons to operate the Liftgate. If you need to replace an **Operation Manual**, additional copies are available from:

MAXON Lift Corp.
11921 Slauson Ave
Santa Fe Springs, CA 90670
(800) 227-4116

NOTE: For latest version Manuals (and replacements), download Manuals from Maxon's website at **www.maxonlift.com**.

2. Do not exceed rated load capacity of the Liftgate which is **3000 lbs. for the GPTWR-3**.
3. Do not allow any part of your body to be placed under, within, or around any portion of the moving Liftgate or its mechanisms, or in a position that would trap them between the platform and the floor of truck body (or between platform and the ground) when Liftgate is operated.
4. Consider the safety and location of bystanders and location of nearby objects when operating the Liftgate. Stand to one side of platform while operating the Liftgate. Be certain that the area the Liftgate will move through during operation is clear of all obstacles.
5. Comply with all attached instruction decals and warning decals.
6. Keep decals clean and legible. If decals are defaced or missing have them replaced. **Get free replacement decals from Maxon.**
7. **Never drive a forklift on the Liftgate Platform.**
8. Do not move vehicle unless Liftgate is correctly stowed.
9. **Correctly stow platform when not in use. Extended platforms could create a hazard for people and vehicles passing by.**
10. A correctly installed Liftgate will operate smoothly and reasonably quiet. The only noticeable noise, during Liftgate operation, is from the Pump Unit while the Platform is raised. Listen for scraping, grating and binding noises and have the problem corrected before continuing to operate the Liftgate.
11. Above all, **USE GOOD COMMON SENSE** when operating this Liftgate.

LIFTGATE TERMINOLOGY



RECOMMENDED DAILY OPERATION CHECKS

NOTE: Before you check the Liftgate, park Vehicle on flat ground and set the parking brake.

NOTE: If any of the following operation checks reveal a need to service or repair Liftgate, do not operate the Liftgate until a qualified mechanic services or repairs the Liftgate.

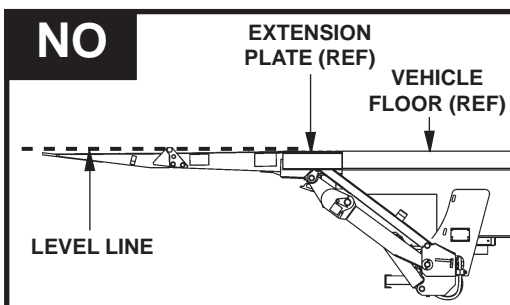
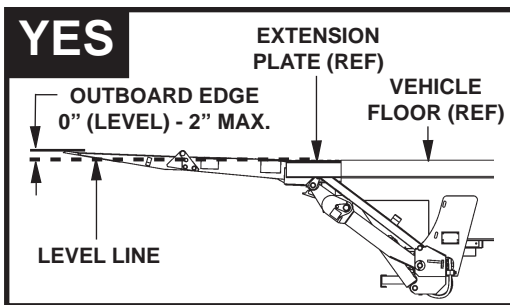
Before operating the Liftgate, the operator should do the following:

- Make sure vehicle battery is fully charged and battery terminal connections are clean and tight.
- Visually check that Pump Cover is latched closed securely and undamaged. Look for Hydraulic Fluid leaking from the Pump Box.
- Visually check that Control Switch is in place and undamaged.
- Visually check that Hydraulic Lock is in place and undamaged.
- Visually check for cracks and bends on the Extension Plate. Also, make sure fasteners are in place and undamaged and Extension Plate is clean (no oil, debris, or corrosion).
- Visually check that all decals are in place (see **DECAL** pages). Also make sure decals are clean, readable, and undamaged.
- Make sure Walk Ramp is stowed. See the Walk Ramp **WARNING** decal.

Use the operation instructions in this manual to lower the Liftgate to the ground and open the Platform and Flipover.

- Check Main Frame, Lift Arms, Parallel Arms and Platform Openers for cracks and bends. Make sure rollers, on the Platform Openers, roll freely. Also, make sure all bolts, nuts, and pins are in place and undamaged.
- Make sure Main Frame, Lift Arms, Parallel Arms and Platform Openers are clean (no oil, debris, or corrosion).
- Check the Hydraulic Cylinders for leaking seals and hose connections. Follow the Hydraulic Hoses (or Return Lines for Gravity Down Liftgates) from the Cylinders to Pump Box. Make sure all hoses are connected at both ends and there are no cracks, chafing, and fluid leaks.

- With the Platform unfolded and raised to bed level, check if the outboard edge of Platform is level or rises up to 2" above bed level (**YES illustration**). If the outboard edge of Platform looks like the **YES illustration**, you can operate Liftgate. If the outboard edge of Platform is below level line and Platform looks like the **NO illustration**, do not operate the Liftgate. (See **NOTE** at beginning of the **DAILY OPERATION CHECKS**.)



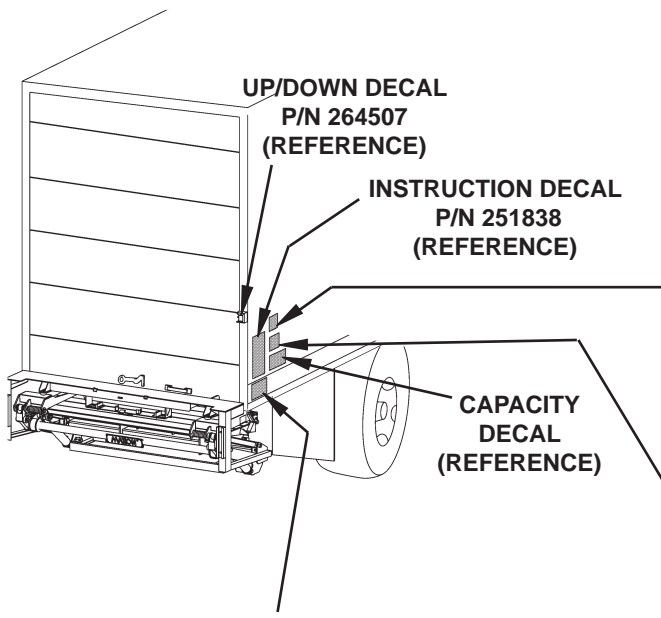
- Check the Platform and Flipover for cracks, holes, and bends on the load-carrying surface and Side Plates. Also, make sure torsion bars, coil springs, and fasteners are in place and undamaged.
- Make sure Platform and Flipover load-carrying surfaces are clean (no oil, debris, or corrosion).

Use the operation instructions in this manual to operate the Liftgate through one cycle without a load on the Platform. RAISE the Platform to Vehicle Bed Height. Then lower the Platform to ground level.

- When the Liftgate is moving, listen for unusual noises and look for jerking motion or uneven movement on either side of the Platform.

If service or repairs are not required (or if completed), stow the Liftgate.

DECALS



**WALK RAMP
WARNING DECAL
P/N 265441-01**

WARNING

READ THIS INFORMATION CAREFULLY

- Improper operation of this Lift can result in serious personal injury. Do not operate unless you have been properly instructed and have read, and are familiar with the operating instructions. If you do not have a copy of the instructions, please obtain them from your employer, distributor, or lessor, before you attempt to operate Lift.
- Be certain that the vehicle is properly and securely braked before using the Lift.
- Always inspect this Lift for maintenance or damage before using it. If there are signs of improper maintenance, damage to vital parts, or slippery Platform surface, do not use the Lift until these problems have been corrected.
- Do not overload the Lift. The load limit is based on evenly distributed cargo over the entire Platform surface. If you are using a pallet jack, be sure it can be maneuvered safely. Do not operate a forklift on the Platform or travel with the platform in an open position at any time.
- Load should be placed in a stable position close to the edge of the Platform nearest the truck. The heaviest portion of the load should never be placed beyond the center of the Platform away from the truck.
- Never allow yourself, a helper, or bystander to stand in a position where a falling load could land on either of you. Also do not allow any part of yours or your helper's body to be placed under, within, or around any portion of the moving liftgate, or its mechanisms, or in a position that would trap them between the platform and the ground or truck when the liftgate is operated.
- If a helper is riding the Platform with you, make sure you are both doing so safely and that you are not in danger of coming in contact with any moving or potentially moving obstacles. USE GOOD COMMON SENSE. If load appears to be unsafe, do not lift or lower it.

For a free copy of other manuals that pertain to this model Liftgate, please visit our website at www.maxonlift.com or call Customer Service at (800) 227- 4116.

MAXON LIFT CORP.PART NO. 264081

**WARNING DECAL
P/N 264081**

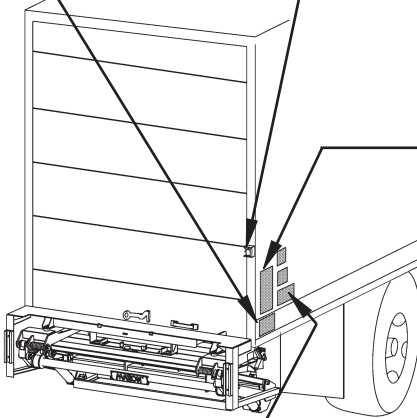
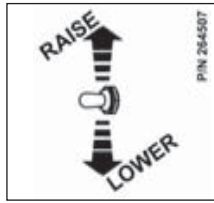
NOTICE

- 1 READ WALK RAMP WARNING DECAL BEFORE YOU SET UP WALK RAMP.
- 2 TO SET UP WALK RAMP & STOW WALK RAMP, REFER TO WALK RAMP MANUFACTURER'S INSTRUCTIONS.

DECAL, P/N 266013-02

**WALK RAMP
NOTICE DECAL
P/N 266013-02**

**WARNING DECAL
P/N 264081
(REFERENCE)**



**THE MAXIMUM CAPACITY
OF THIS LIFT IS**

3000 POUNDS

**WHEN THE LOAD IS
CENTERED ON PLATFORM**

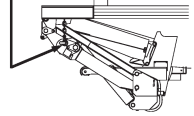
DECAL, P/N 220388

**CAPACITY DECAL
P/N 220388**

OPERATING INSTRUCTIONS

GPT & 80 SERIES LIFTGATES

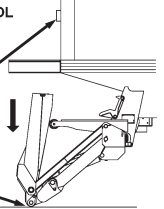
- 1 UNHOOK SAFETY CHAIN.
(SEE CAUTION DECAL.)**



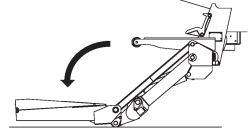
- 2 PUSH CONTROL
SWITCH**



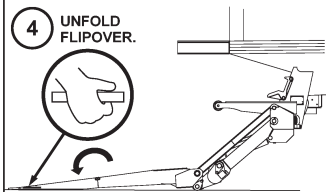
**(MUST TOUCH
THE GROUND)**



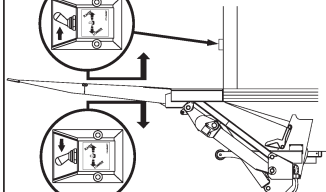
- 3 UNFOLD
PLATFORM.**



- 4 UNFOLD
FLIPOVER.**



- 5 USE SWITCH TO RAISE / LOWER.**

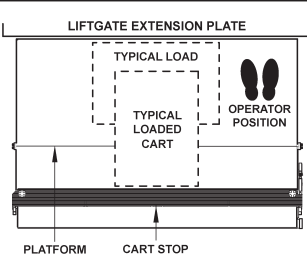


- 6 TO TUCK UNIT AWAY REVERSE STEPS
1, 2, 3, & 4.**

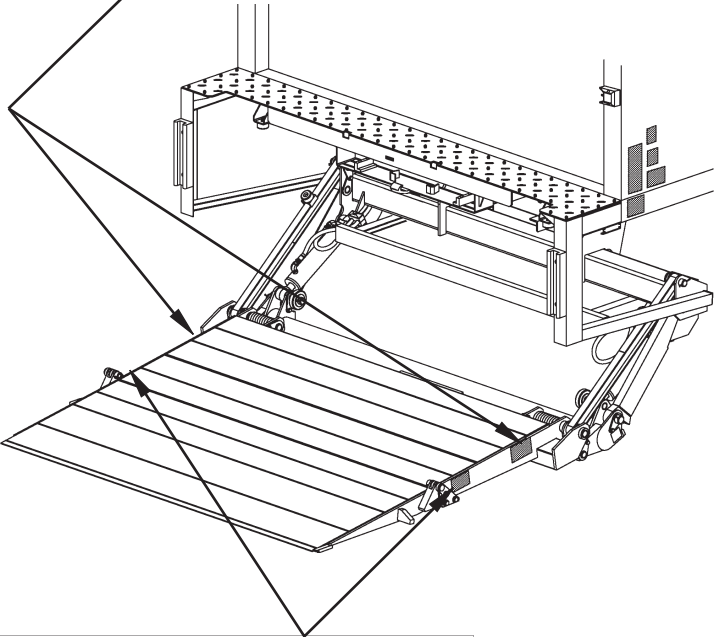
DECAL, P/N 251838

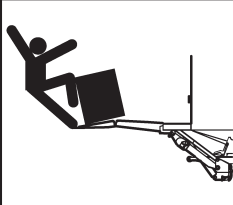
**INSTRUCTION DECAL
P/N 251838**

DECALS - Continued

PLATFORM LOADING INSTRUCTIONS	
 <p>LIFTGATE EXTENSION PLATE</p> <p>TYPICAL LOAD</p> <p>TYPICAL LOADED CART</p> <p>OPERATOR POSITION</p> <p>PLATFORM CART STOP</p> <p>TOP VIEW OF THE PLATFORM</p>	<p>POSITION LOADS ON PLATFORM AS SHOWN. RAISE CART STOP (IF EQUIPPED) WHEN CART IS ON PLATFORM. USE RECOMMENDED OPERATOR POSITION SHOWN BY FOOTPRINTS. SEE OPERATION MANUAL FOR MORE INFORMATION.</p> <p>DECAL, P/N 281326-01</p>

PLATFORM LOADING DECAL (2 PLACES)
P/N 281326-01



WARNING	
	<p>AN INCORRECTLY LOADED PLATFORM CAN BECOME A HAZARD FOR OPERATOR & PASSERSBY. ALWAYS LOAD PLATFORM ACCORDING TO THE INSTRUCTIONS ON PLATFORM LOADING DECAL & IN THE OPERATION MANUAL.</p> <p>DECAL, P/N 281189-01</p>

PLATFORM WARNING DECAL (2 PLACES)
P/N 281189-01

FORKLIFT ADVISORY

⚠ WARNING

Keep Forklift OFF of Platform.

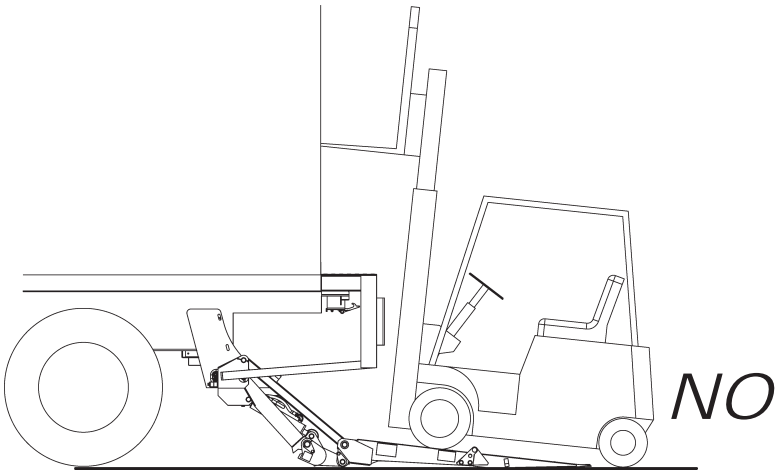
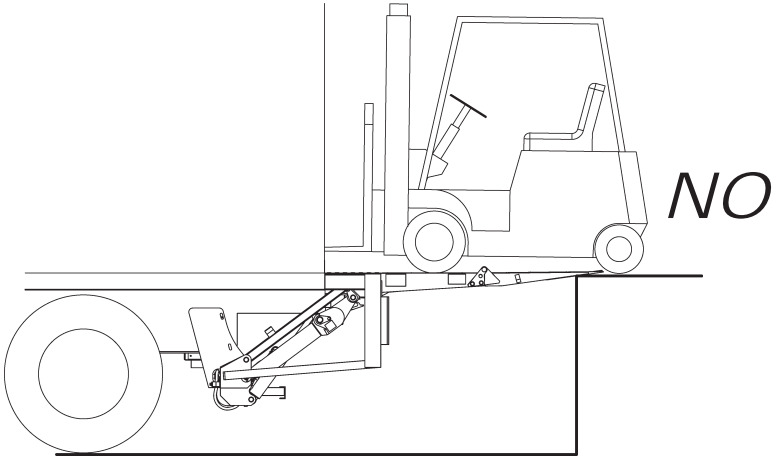
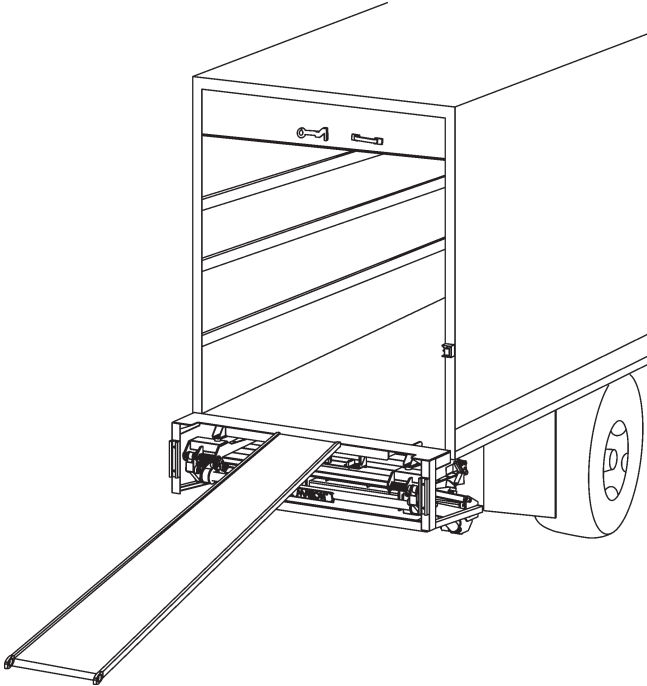


FIG. 11-1

OPERATION

NOTE: To use walk ramp, see the manufacturer's instructions. Follow all **WARNINGS & CAUTIONS** that apply to the walk ramp.

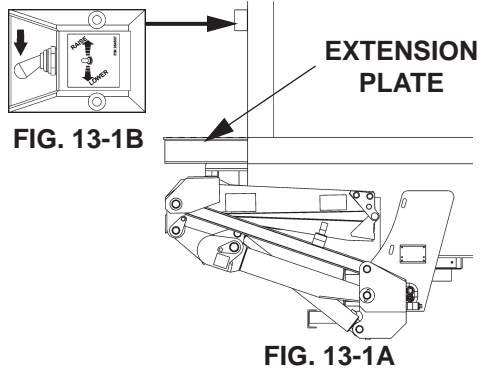


**TRUCK EQUIPPED WITH LIFTGATE & RAMP
(LIFTGATE SHOWN STOWED &
RAMP SHOWN DEPLOYED)**

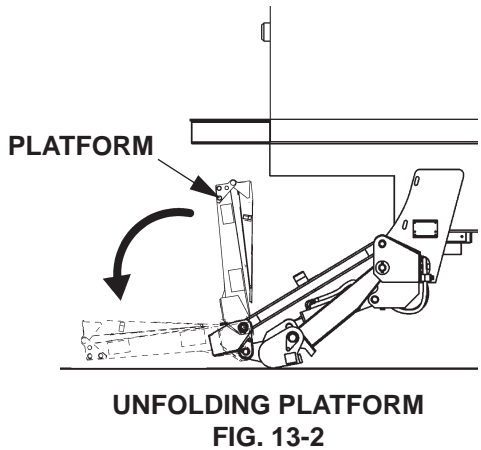
FIG. 12-1

⚠ WARNING
Always stow the Walk Ramp
before operating Liftgate.

1. Standing to the side of Platform (**FIG. 13-1A**), push the Toggle Switch to **LOWER** position as shown in **FIG. 13-1B**.

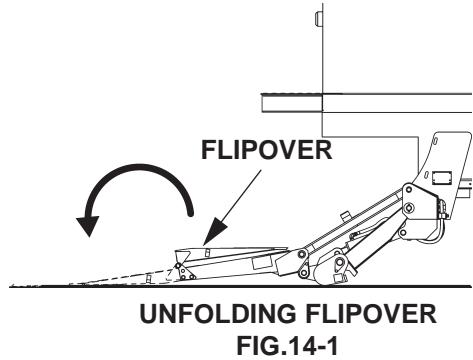


2. Lower the Liftgate until it touches the ground. Then unfold Platform (**FIG. 13-2**).



OPERATION - Continued

3. Unfold the Flipover (**FIG. 14-1**).



NOTE: While operating the Liftgate, you can stop the platform immediately by releasing the Toggle Switch.

4. Raise the Platform (**FIG. 14-2A**) by pushing the Toggle Switch to the **RAISE** position (**FIG. 14-2B**). Wait a second before releasing the Toggle Switch, after Platform reaches bed height. To lower the Platform, push the Toggle Switch to the **LOWER** position (**FIG. 14-2C**).

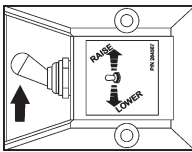


FIG. 14-2B

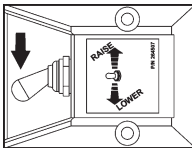


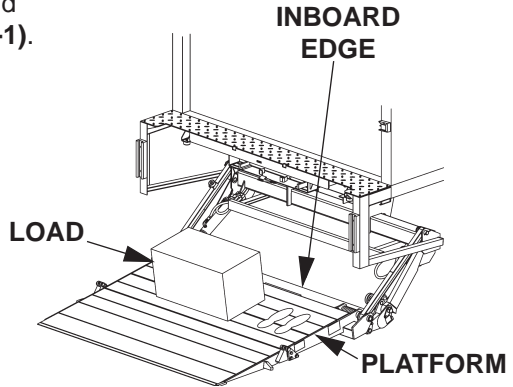
FIG. 14-2C

RAISING & LOWERING PLATFORM
FIG. 14-2A

⚠ WARNING

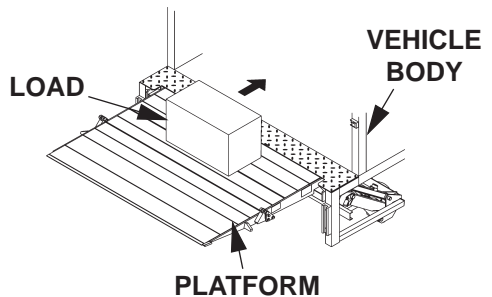
A load should never extend past the edges of the platform. Do not place unstable loads on platform and do not allow load to exceed the lifting capacity of the Liftgate. If standing on platform, do not allow your feet to extend beyond the inboard edge of the platform.

5. Load the Platform at ground level as shown in (FIG. 15-1).



**LOADING PLATFORM AT GROUND LEVEL
FIG. 15-1**

6. Raise the Platform to bed level (FIG. 15-2). Move load from Platform to inside the Vehicle Body.



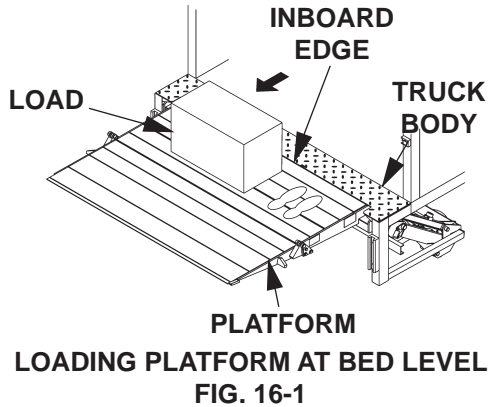
**UNLOADING PLATFORM AT BED LEVEL
FIG. 15-2**

OPERATION - Continued

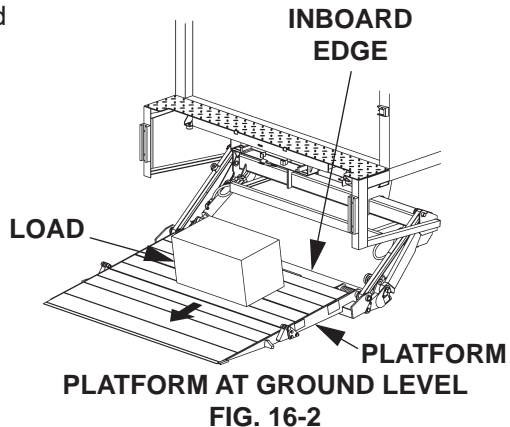
WARNING

Pulling the load from Vehicle to Platform can result in a fall from Platform and serious injury. When unloading Vehicle, always push the load out on the Platform.

7. Load the Platform at bed level as follows. Push load out of the Vehicle to correct position on the Platform (**FIG. 16-1**). Place all loads as close as possible to the inboard edge of the Platform with heaviest part toward the truck body as shown in **FIG. 16-1**. If standing on Platform with the load, stand in the footprint area shown and comply with the **WARNING** on the previous page.



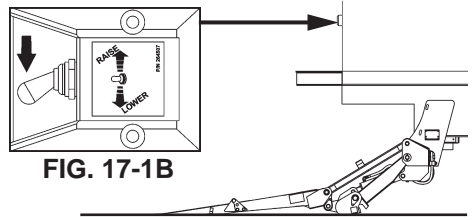
8. Lower the Platform to ground level (**FIG. 16-2**). Move load off the Platform (**FIG. 16-2**)



WARNING

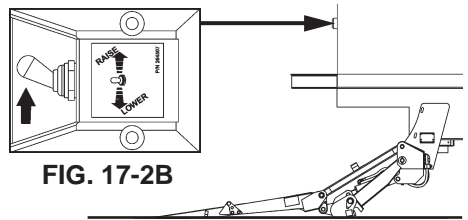
Never move the vehicle unless the Liftgate is properly stowed.

9. Before moving the vehicle, prepare the Liftgate as follows. Make sure load is removed from Platform. If the Platform is at bed height, push the Toggle Switch to the **LOWER** position as shown in **FIG. 17-1B**. Release Toggle Switch when Platform touches the ground (**FIG. 17-1A**).



LOWERING LIFT
FIG. 17-1A

10. Stow the Liftgate by doing the following. **RAISE** the Platform a little above the ground (**FIG. 17-2A**) by pushing the Control Switch to the **RAISE** position (**FIG. 17-2B**).



RAISING LIFT
FIG. 17-2A

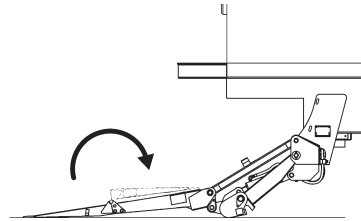
OPERATION - Continued

WARNING

Keep hands clear of the Platform Support when folding the Flipover.

NOTE: Before folding Flipover, make sure Cart Stops are stowed (if equipped).

11. Fold the Flipover (**FIG. 18-1**).

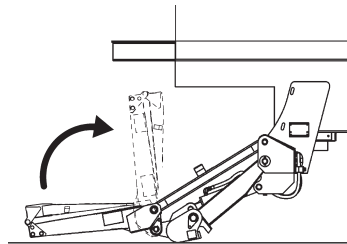


FOLDING FLIPOVER
FIG. 18-1

WARNING

Keep hands clear of the Extension Plate when folding the Platform under the Extension Plate.

12. Fold the Platform as shown in **FIG. 18-2**.



FOLDING PLATFORM
FIG. 18-2

CAUTION

Stow Liftgate under hydraulic pressure.

13. Raise the Liftgate by pushing the Toggle Switch to the **RAISE** position (**FIG. 19-1B**). Wait a second before releasing Toggle Switch after Liftgate is raised all the way (**FIG. 19-1A**).

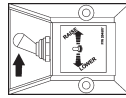
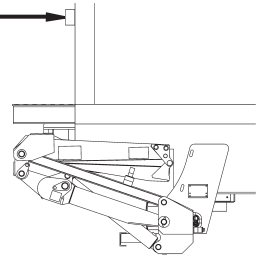


FIG. 19-1B



**CORRECTLY STOWED LIFTGATE
FIG. 19-1A**

14. Liftgate is ready for transport.

