

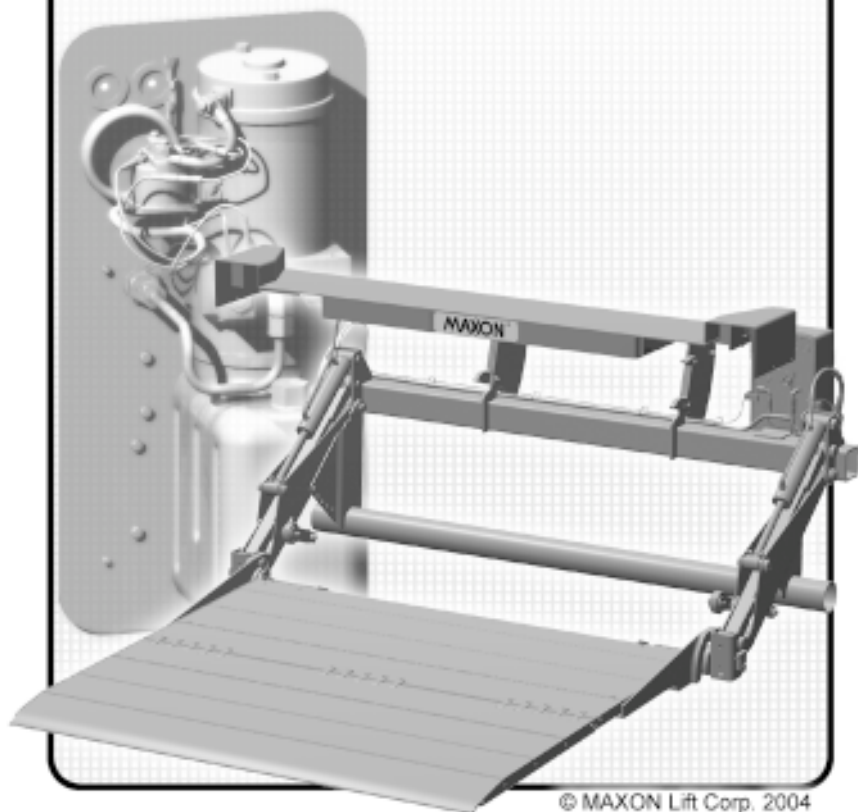
M-04-05
JULY 2004

MAXON®

OPERATION MANUAL

GPT-25 & GPT-33

TUK-A-WAY®
LIFT GATE SERIES



© MAXON Lift Corp. 2004

KEEP THIS MANUAL IN CAB OF VEHICLE

For a free copy of other manuals that pertain to this model Liftgate, please visit our website at www.maxonlift.com or call Customer Service at (800) 227-4116

TABLE OF CONTENTS

WARNINGS	4
LIFTGATE TERMINOLOGY	5
RECOMMENDED DAILY OPERATION CHECKS	6
DECALS	8
FORKLIFT ADVISORY	11
OPERATION	12

WARNING

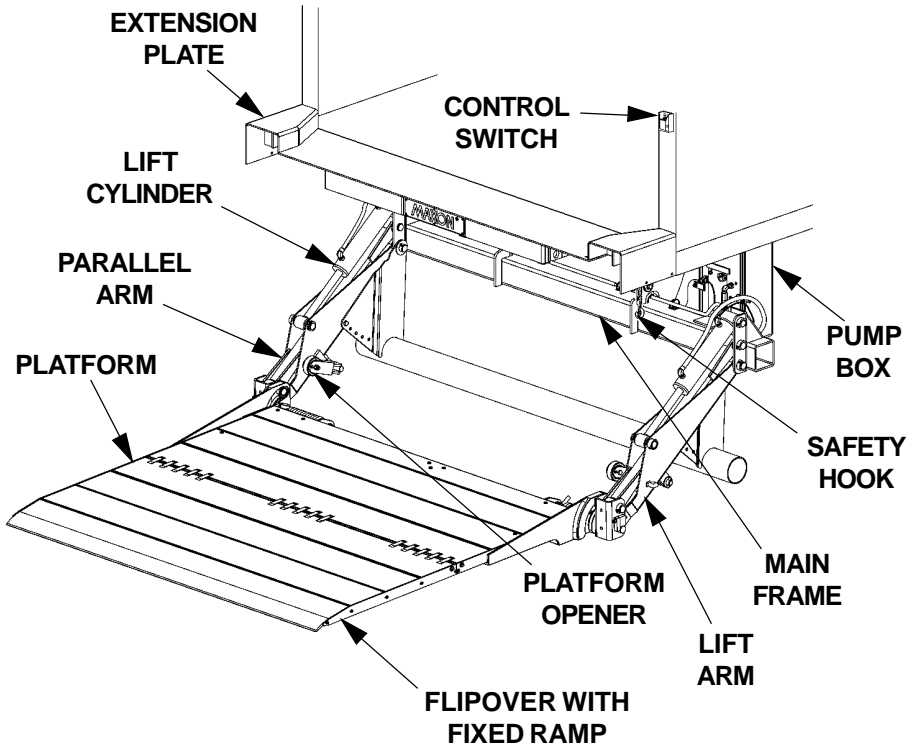
1. Incorrect operation of this Liftgate can result in serious personal injury. Comply with WARNINGS and Liftgate operating instructions in this manual. Do not allow untrained persons to operate the Liftgate. If you need to replace an **Operation Manual**, additional copies are available from:

MAXON Lift Corp.
11921 Slauson Ave
Santa Fe Springs, CA 90670
(800) 227-4116

NOTE: For latest version Manuals (and replacements), download Manuals from Maxon's website at **www.maxonlift.com**.

2. Do not exceed rated load capacity of the Liftgates which is **2500 lbs. for model GPT-25 and 3300 lbs. for model GPT-33.**
3. Do not allow any part of your body to be placed under, within, or around any portion of the moving Liftgate or its mechanisms, or in a position that would trap them between the platform and the floor of truck body (or between platform and the ground) when Liftgate is operated.
4. Consider the safety and location of bystanders and location of nearby objects when operating the Liftgate. Stand to one side of platform while operating the Liftgate. Be certain that the area the Liftgate will move through during operation is clear of all obstacles.
5. Comply with all attached instruction decals and warning decals.
6. Keep decals clean and legible. If decals are defaced or missing have them replaced. **Get free replacement decals from Maxon.**
7. **Never drive a forklift on the Liftgate Platform.**
8. Do not move vehicle unless Liftgate is correctly stowed.
9. **Correctly stow platform when not in use. Extended platforms could create a hazard for people and vehicles passing by.**
10. A correctly installed Liftgate will operate smoothly and reasonably quiet. The only noticeable noise, during Liftgate operation, is from the Pump Unit while the Platform is raised. Listen for scraping, grating and binding noises and have the problem corrected before continuing to operate the Liftgate.
11. Above all, **USE GOOD COMMON SENSE** when operating this Liftgate.

LIFTGATE TERMINOLOGY



RECOMMENDED DAILY OPERATION CHECKS

NOTE: If any of the following operation checks reveal a need to service or repair Liftgate, do not operate the Liftgate until a qualified mechanic services or repairs the Liftgate.

Before operating the Liftgate, the operator should do the following:

- Make sure vehicle battery is fully charged and battery terminal connections are clean and tight.
- Visually check that Pump Cover is bolted on securely and undamaged. Look for Hydraulic Fluid leaking from the Pump Box.
- Visually check that Control Switch is in place and undamaged
- Visually check that Safety Chain is hooked to Lift Arm and make sure the hook and chain are undamaged.
- Visually check for cracks and bends on the Extension Plate. Also, make sure fasteners are in place and undamaged and Extension Plate is clean (no oil, debris, or corrosion).
- Visually check that all decals are in place (see **DECALS** pages). Also make sure decals are clean, readable, and undamaged.

Use the operation instructions in this manual to unhook the Safety Chain, lower the Liftgate to the ground, and open the Platform and Flipover.

- Check the Platform and Flipover for cracks, holes, and bends on the load-carrying surface and Side Plates. Also, make sure fasteners and springs are in place and undamaged.
- Make sure Platform and Flipover load-carrying surfaces are clean (no oil, debris, or corrosion).
- Check Main Frame, Lift Arms, Parallel Arms and Platform Openers for cracks and bends. Make sure rollers, on the Platform Openers, roll freely. Also, make sure all bolts and pins are in place and undamaged.
- Make sure Main Frame, Lift Arms, Parallel Arms and Platform Openers are clean (no oil, debris, or corrosion).
- Check the Hydraulic Cylinders for leaking seals and hose connections. Follow the Hydraulic Hoses (or Return Lines for Gravity Down Liftgates) from the Cylinders to Pump Box. Make sure all hoses are connected at both ends and there are no cracks, chaffing, and fluid leaks.

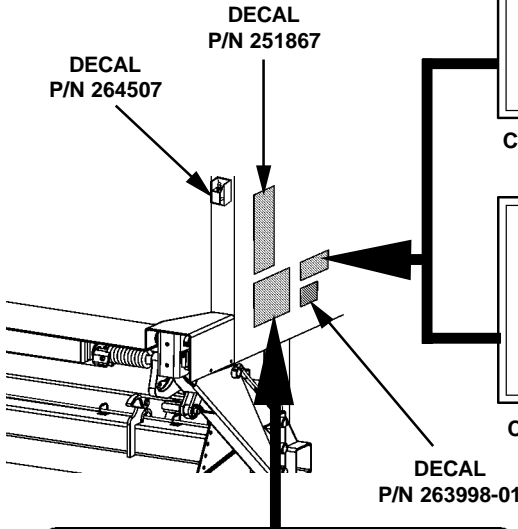
Use the operation instructions in this manual to operate the Liftgate through one cycle without a load on the Platform. RAISE the Platform to Vehicle Bed Height. Then lower the Platform to ground level.

- When the Liftgate is moving, listen for unusual noises and look for jerking motion or uneven movement on either side of the Platform.

If service or repairs are not required (or if completed), stow the Liftgate.

DECALS

NOTE: Decals for Streetside are included with the Streetside Control Switch Kit.



THE MAXIMUM CAPACITY OF THIS LIFT IS

2500 POUNDS

WHEN THE LOAD IS CENTERED ON PLATFORM

DECAL, P/N 220382

CAPACITY DECAL (GPT-25 ONLY)
P/N 220382

THE MAXIMUM CAPACITY OF THIS LIFT IS

3300 POUNDS

WHEN THE LOAD IS CENTERED ON PLATFORM

DECAL, P/N 220388-02

CAPACITY DECAL (GPT-33 ONLY)
P/N 220388-02

⚠ WARNING

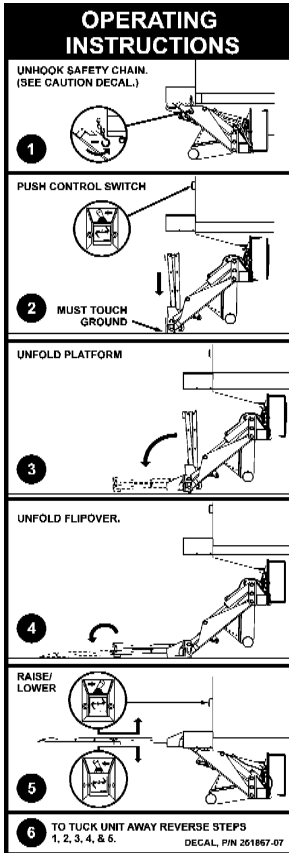
READ THIS INFORMATION CAREFULLY

- Improper operation of this Liftgate can result in serious personal injury. Do not operate unless you have been properly instructed and have read, and are familiar with the operating instructions. If you do not have a copy of the instructions, please obtain them from your employer, distributor, or lessor before you attempt to operate Liftgate.
- Be certain that the vehicle is properly and securely braked before using the Liftgate.
- Always inspect this Liftgate for maintenance or damage before using it. If there are signs of improper maintenance, damage to vital parts, or slippery Platform surface, do not use the Liftgate until these problems have been corrected.
- Do not overload the Liftgate. The load limit is based on evenly distributed cargo over the entire Platform surface. If you are using a pallet jack, be sure it can be maneuvered safely. Do not operate a forklift on the Platform or travel with the platform in an open position at any time.
- Load should be placed in a stable position close to the edge of the Platform nearest the truck. The heaviest portion of the load should never be placed beyond the center of the Platform away from the truck.
- Never allow yourself, a helper, or bystander to stand in a position where a falling load could land on either of you. Also do not allow any part of yours or your helper's body to be placed under, within, or around any portion of the moving Liftgate, or its mechanisms, or in a position that would trap them between the platform and the ground or truck when the Liftgate is operated.
- If a helper is riding the Platform with you, make sure you are both doing so safely and that you are not in danger of coming in contact with any moving or potentially moving obstacles. USE GOOD COMMON SENSE. If load appears to be unsafe, do not lift or lower it.

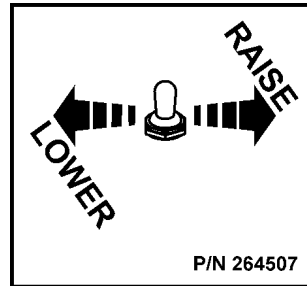
For a free copy of other manuals that pertain to this model Liftgate, please visit our website at www.maxonlift.com or call Customer Service at (800) 227- 4116.

MAXON LIFT CORP. PART NO. 264081

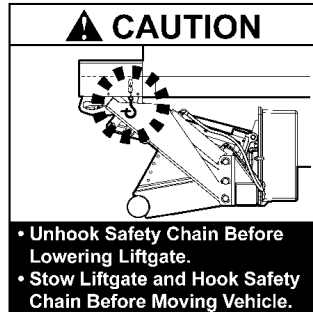
WARNING DECAL
P/N 264081



**INSTRUCTION DECAL
P/N 251867-07**

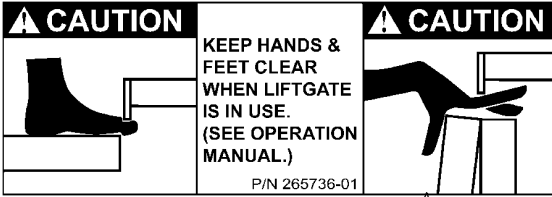


**CONTROL SWITCH DECAL
P/N 264507**

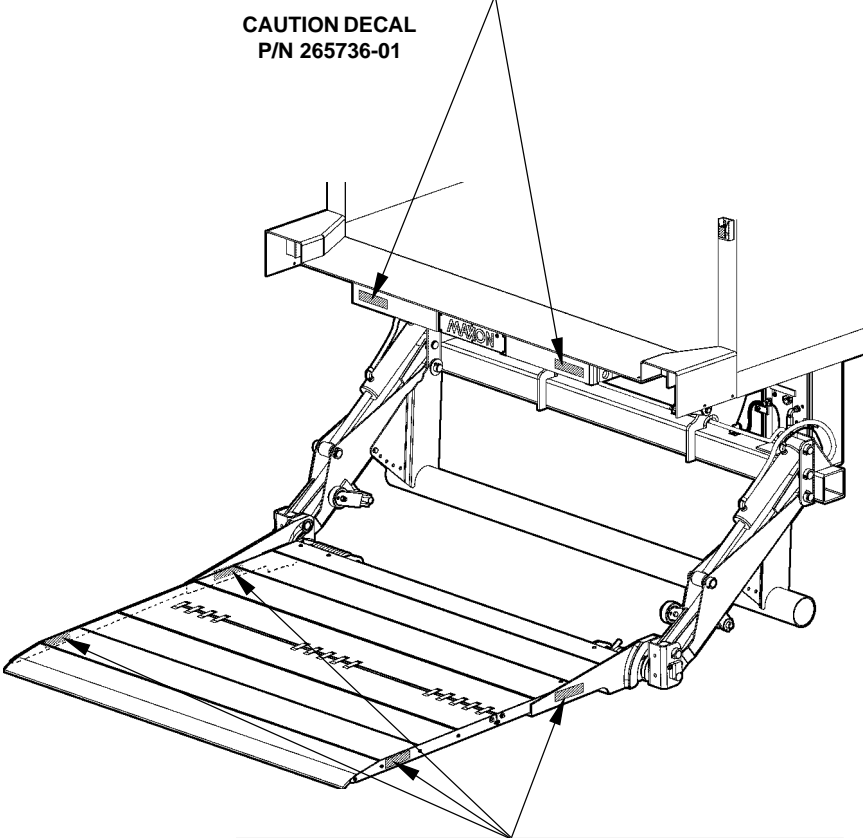


**CHAIN HOOK DECAL
P/N 263998-01**

DECALS - Continued



**CAUTION DECAL
P/N 265736-01**



**CAUTION DECAL
P/N 265736-02**

FORKLIFT ADVISORY

⚠ WARNING

Keep Forklift OFF of Platform.

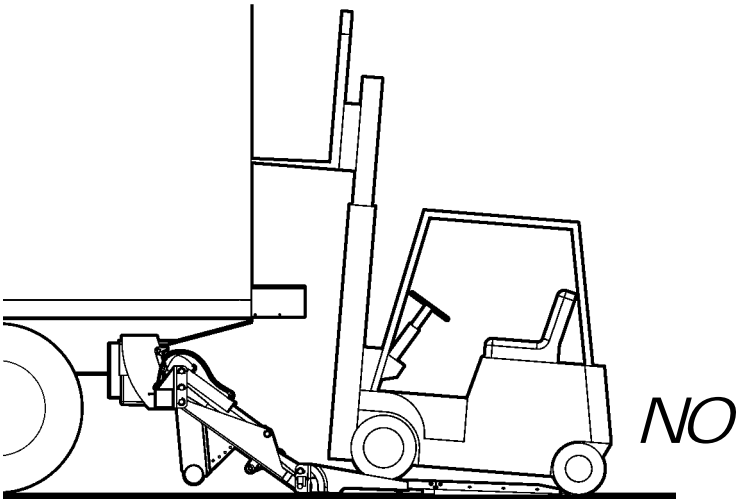
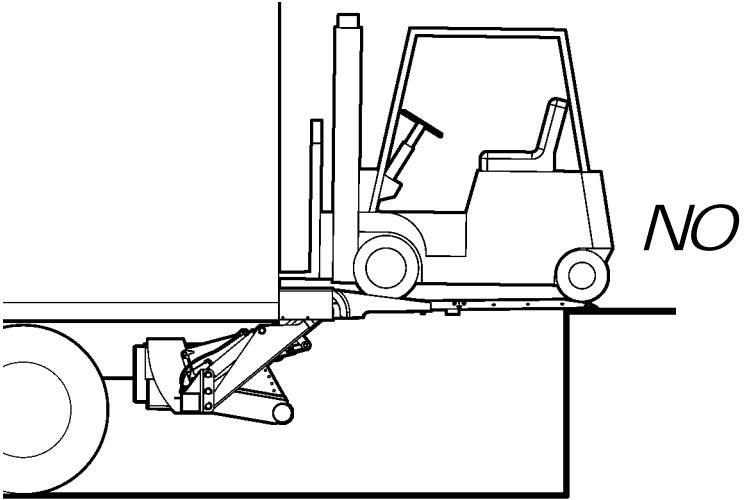


FIG. 8-1

OPERATION

CAUTION

To prevent equipment damage, never lower the Liftgate if hooked to Safety Chain.

1. Unhook Safety Chain from Liftgate (FIG. 12-1).

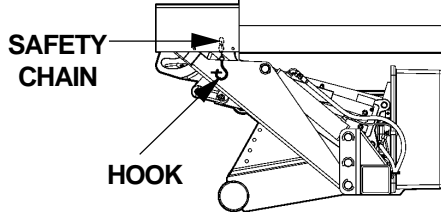


FIG. 12-1

2. Standing to the side of Platform (FIG. 12-2A), push the Toggle Switch to LOWER position as shown in FIG. 12-2B.

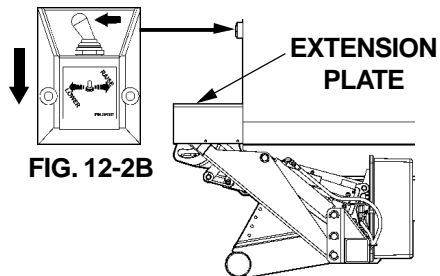


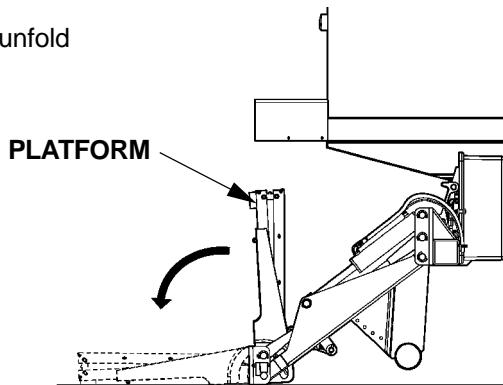
FIG. 12-2B

FIG. 12-2A

WARNING

Never operate control switch while unfolding Platform.

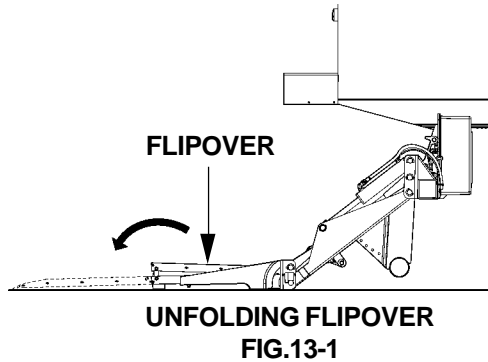
3. Lower the Liftgate until it touches the ground then unfold the Platform (FIG. 12-3).



UNFOLDING PLATFORM

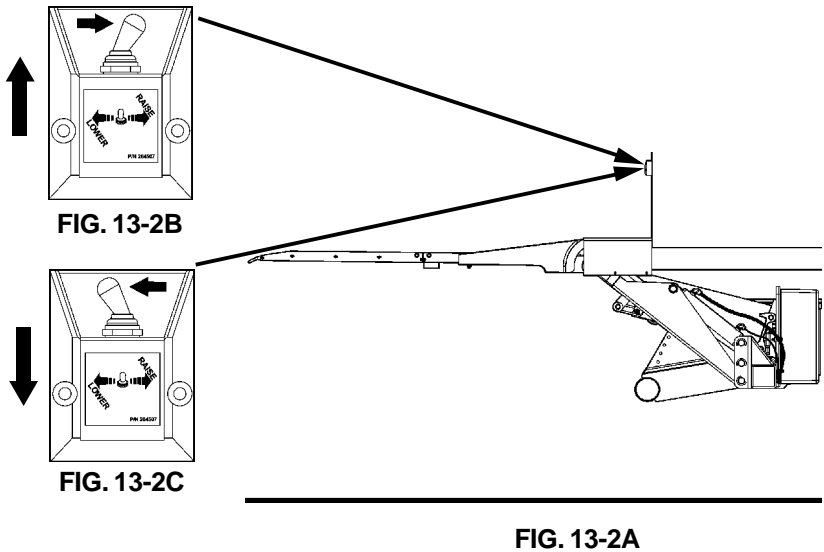
FIG. 12-3

4. Unfold Flipover as shown in FIG. 13-1.



NOTE: While operating the Liftgate, you can stop the platform immediately by releasing the Toggle Switch.

5. Raise the Platform (FIG. 13-2A) by pushing the Toggle Switch to the **RAISE** position (FIG. 13-2B). If loading (or unloading) the Platform, wait a second before releasing the Toggle Switch, after Platform reaches bed height. If you need to lower the Platform, push the Toggle Switch to the **LOWER** position (FIG. 13-2C).



OPERATION - Continued

6. Make sure Platform is positioned like the YES illustrations in **FIG. 14-1** and **FIG. 14-2**. At bed height with no load, outboard edge of Platform must be higher than extension plate (**FIG. 14-1**).

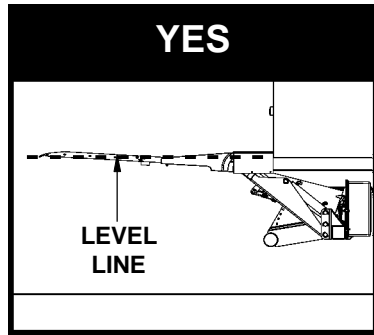


FIG. 14-1

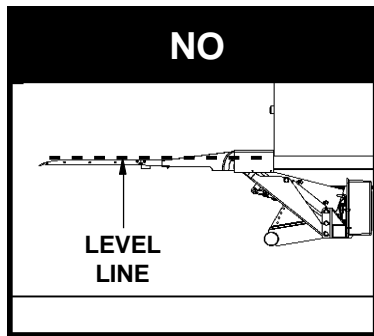
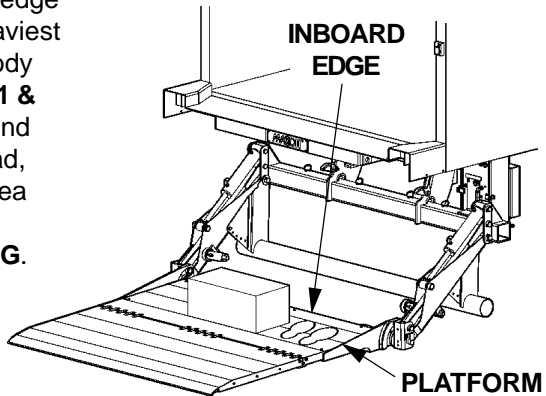


FIG. 14-2

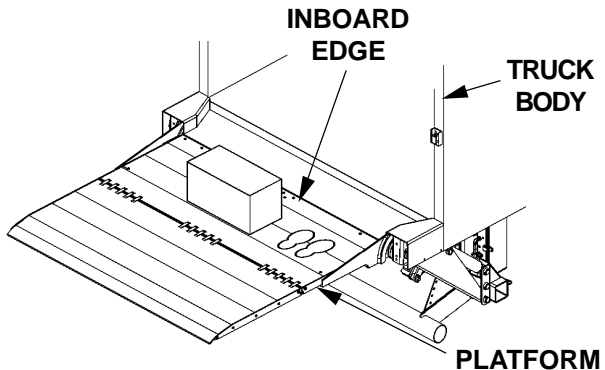
WARNING

A load should never extend past the edges of the platform. Do not place unstable loads on platform and do not allow load to exceed the lifting capacity of the Liftgate. If standing on platform, do not allow your feet to extend beyond the inboard edge of the platform.

7. Load the Platform at ground level (**FIG. 15-1**) and at bed level (**FIG. 15-2**) as follows. Place all loads as close as possible to the inboard edge of the Platform with heaviest part toward the truck body as shown in (**FIGS. 15-1 & 15-2**). If you need to stand on Platform with the load, stand in the footprint area shown and comply with the preceding **WARNING**.



LOADING PLATFORM AT GROUND LEVEL
FIG. 15-1



LOADING PLATFORM AT BED LEVEL
FIG. 15-2

OPERATION - Continued

⚠ WARNING

Never move the vehicle unless the Liftgate is properly stowed.

8. Before moving the vehicle, prepare the Liftgate as follows. Remove load from Platform. If the Platform is at bed height, push the Toggle Switch to the **LOWER** position as shown in **FIG. 16-1B**. Release Toggle Switch when Platform touches the ground (**FIG. 16-1A**).

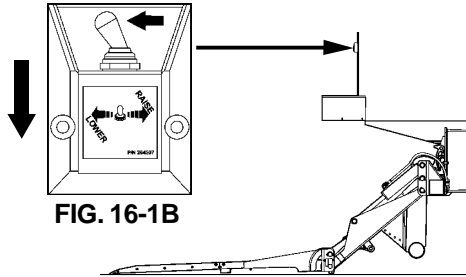


FIG. 16-1B

FIG. 16-1A

9. Stow the Liftgate by doing the following steps. **RAISE** the Platform 2" above the ground (**FIG. 16-2A**) by pushing the Control Switch to the **RAISE** position (**FIG. 16-2B**).

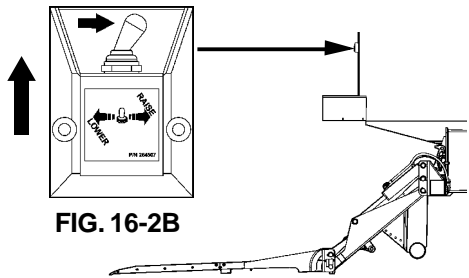
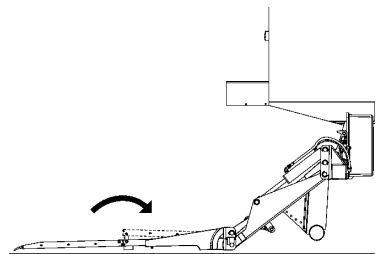


FIG. 16-2B

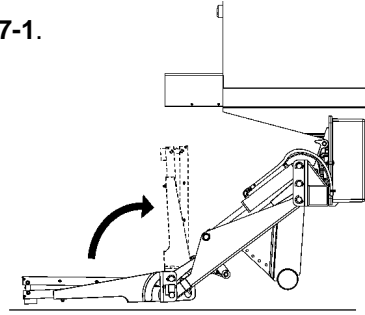
FIG. 16-2A

10. Use Handle to fold Flipover (**FIG. 16-3**).



RAMP FLIPOVER
FIG. 16-3

11. Fold the Platform as shown in **FIG. 17-1**.



FOLDING PLATFORM
FIG. 17-1

CAUTION

Stow Liftgate under hydraulic pressure.

12. Raise the Liftgate by pushing the Toggle Switch to the **RAISE** position (**FIG. 17-2B**). Wait a second before releasing Toggle Switch after Liftgate is raised all the way (**FIG. 17-2A**).

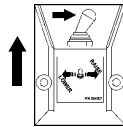
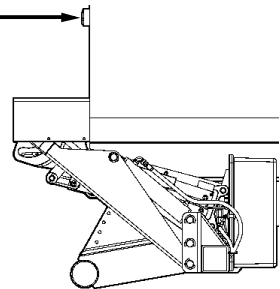


FIG. 17-2B



CORRECTLY STOWED LIFTGATE
FIG. 17-2A

13. Hook Safety Chain to Liftgate (**FIG. 17-3**).

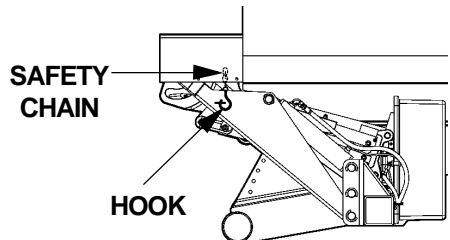


FIG. 16-3

14. Liftgate is ready for transport.

