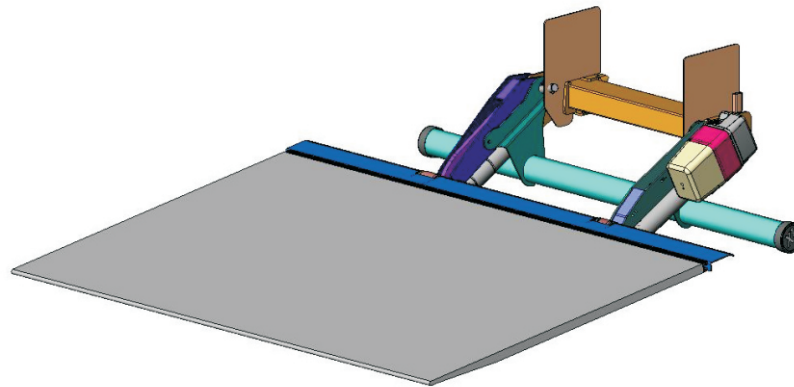


# MAXON<sup>®</sup>

## Cantilever

### Spare Parts Catalogue

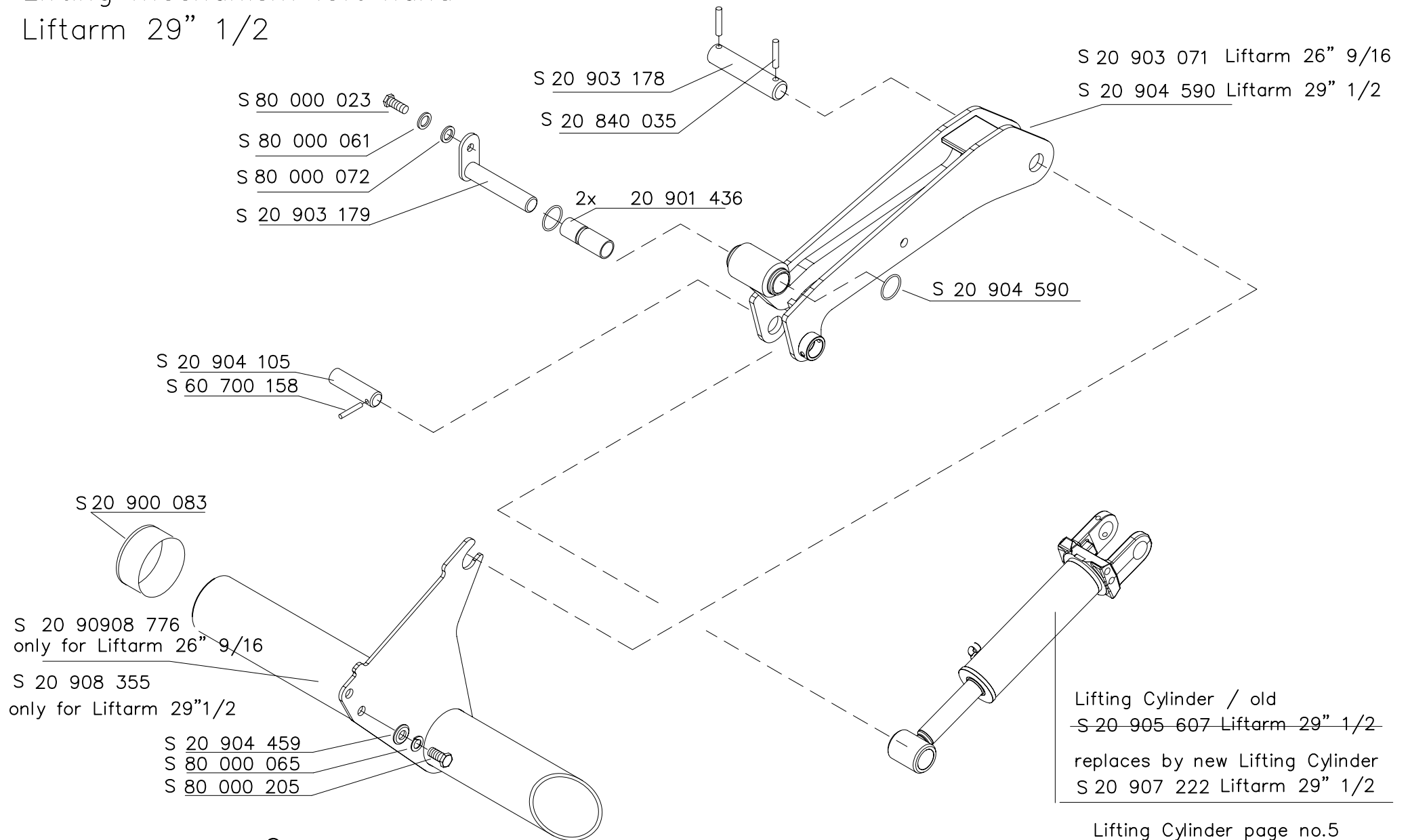


### Cantilever GPC 22 X1



Document no. S 20 907 225  
Print date 07.01.2010  
© Sörensen Hydraulik GmbH

Lifting mechanism left hand  
Liftarm 29" 1/2

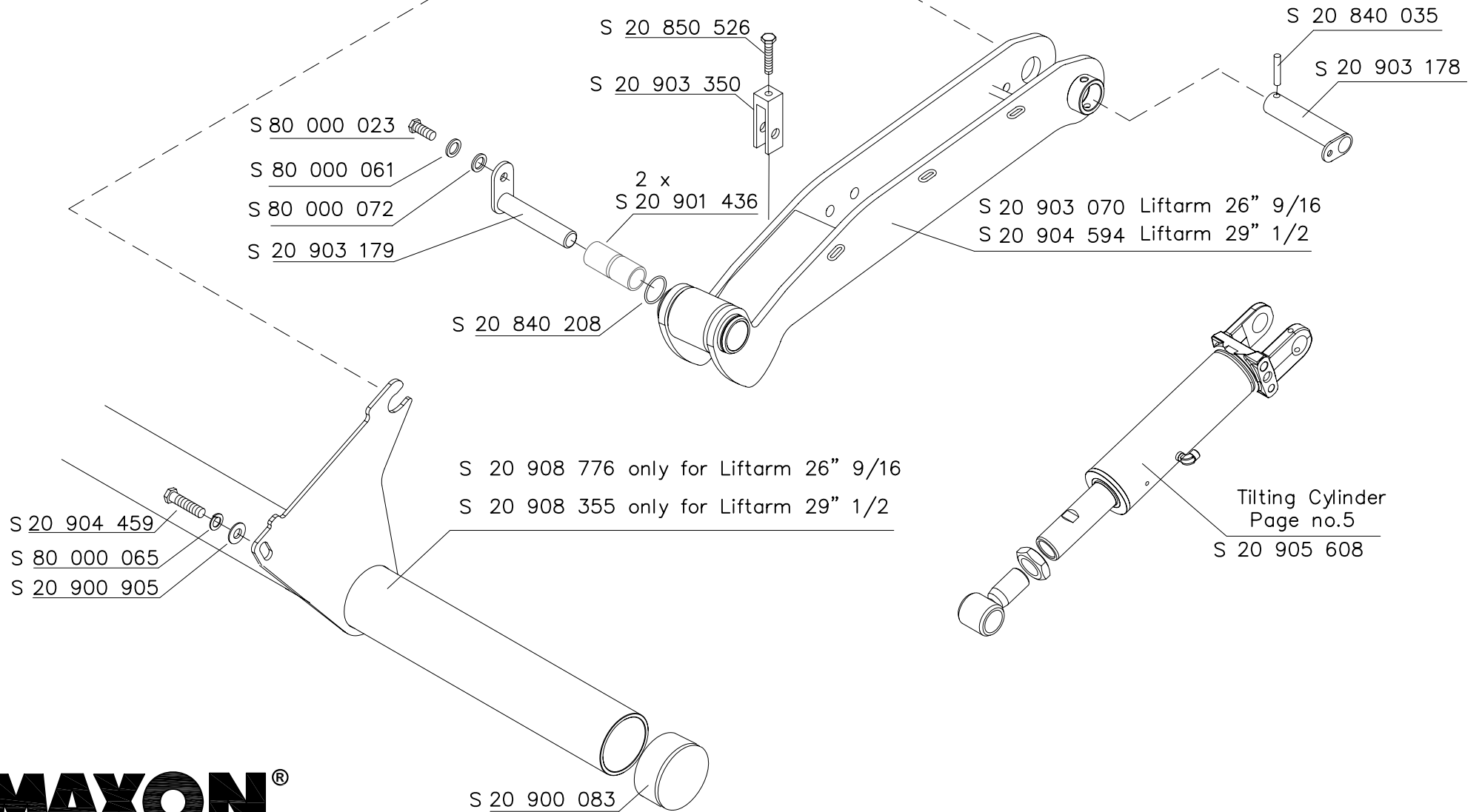


Lifting Cylinder page no.5

**MAXON**<sup>®</sup>

Type GPC 22 X1

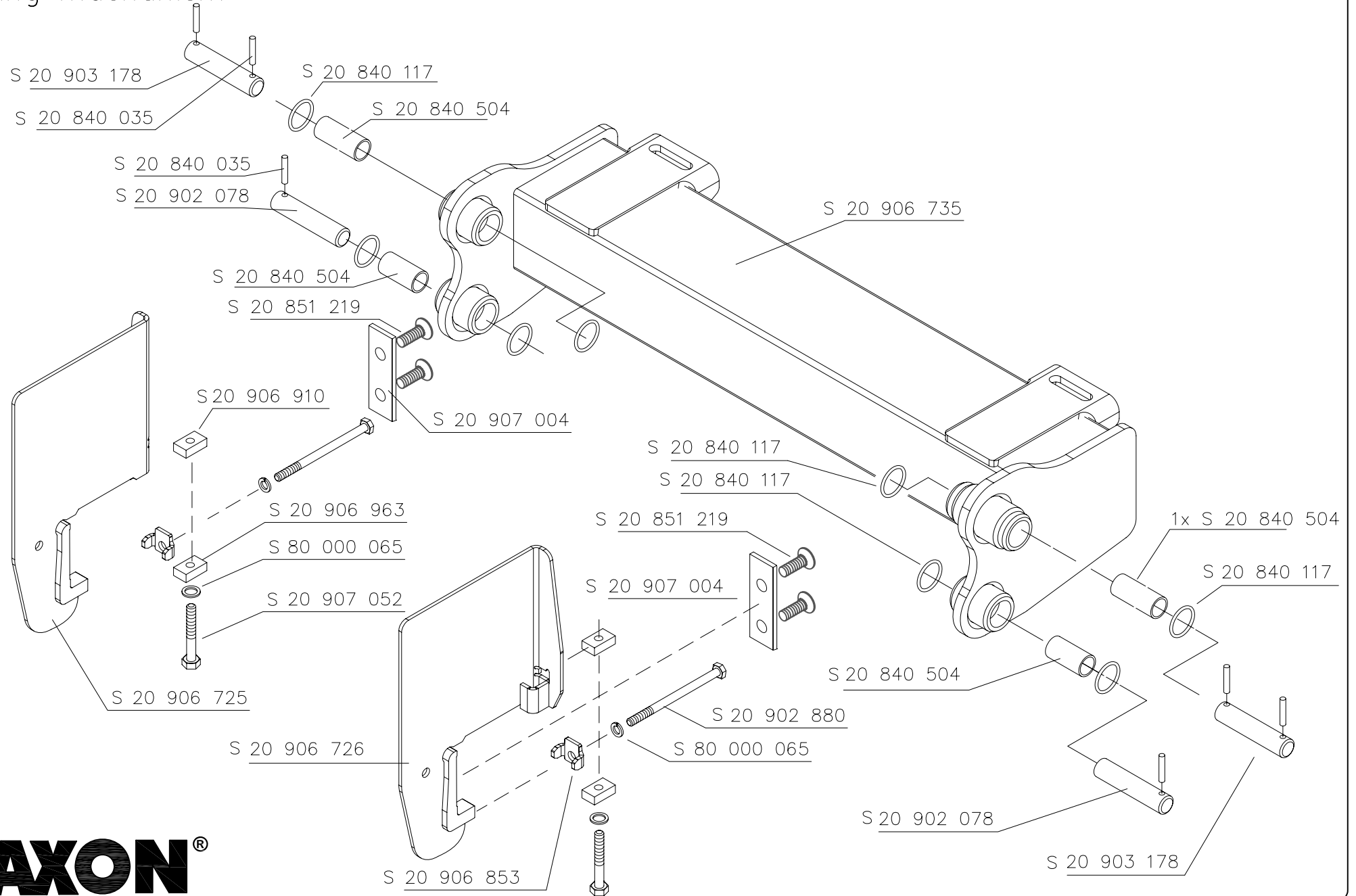
Lifting mechanism right hand  
 Liftarm 26" 9/16 and 29" 1/2



**MAXON**<sup>®</sup>

Type GPC 22 X1

# Lifting mechanism



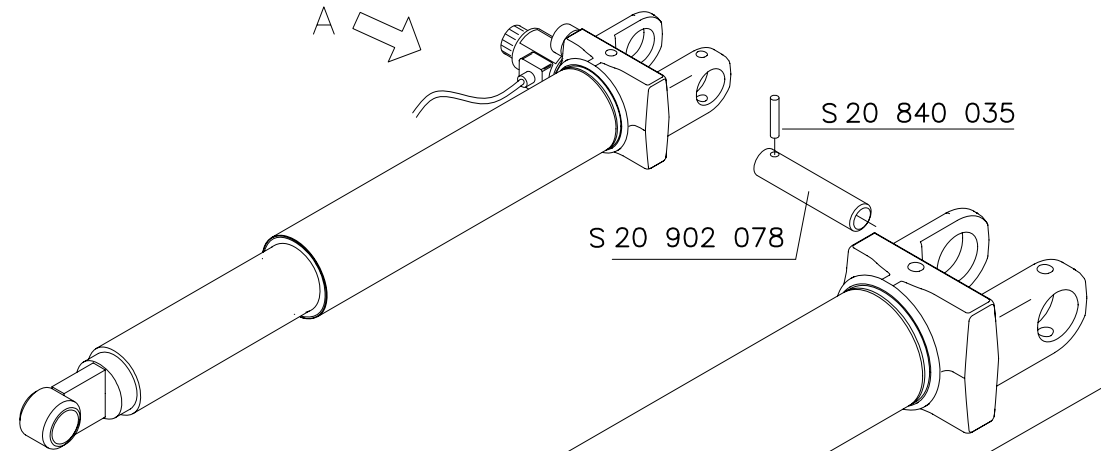
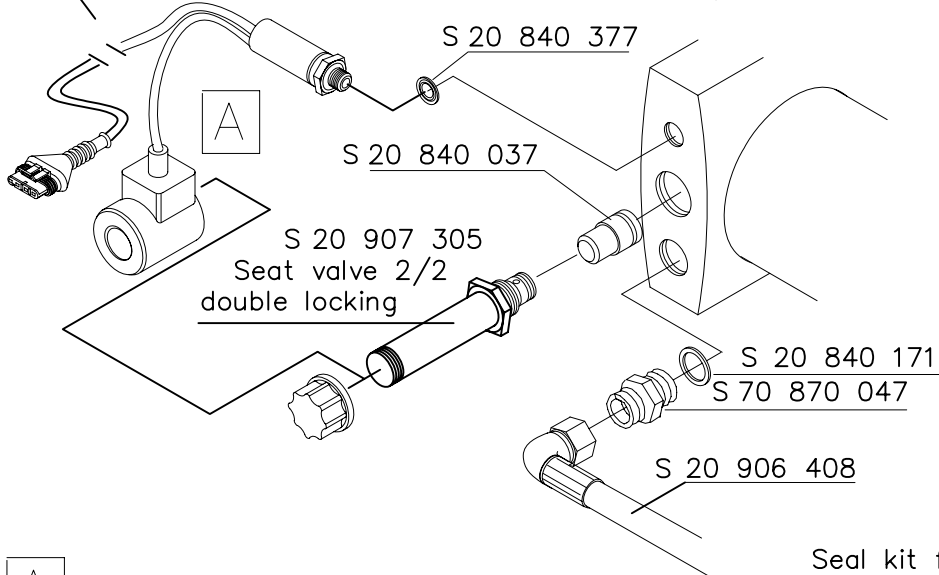
**MAXON®**

GPC 22 X1

# Lifting Cylinder GPC 22 X1

S 22 906 010

Kable kit incl. Solenid, Pressure switch, Plug



Seal kit for Liftcylinder 20905607

S 22 905 634

Seal kit for Liftcylinder 20905607

S 22 905 875

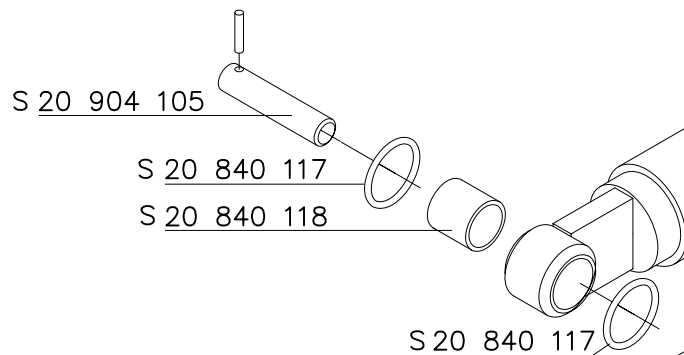
A

Old Lifting Cylinder compl.

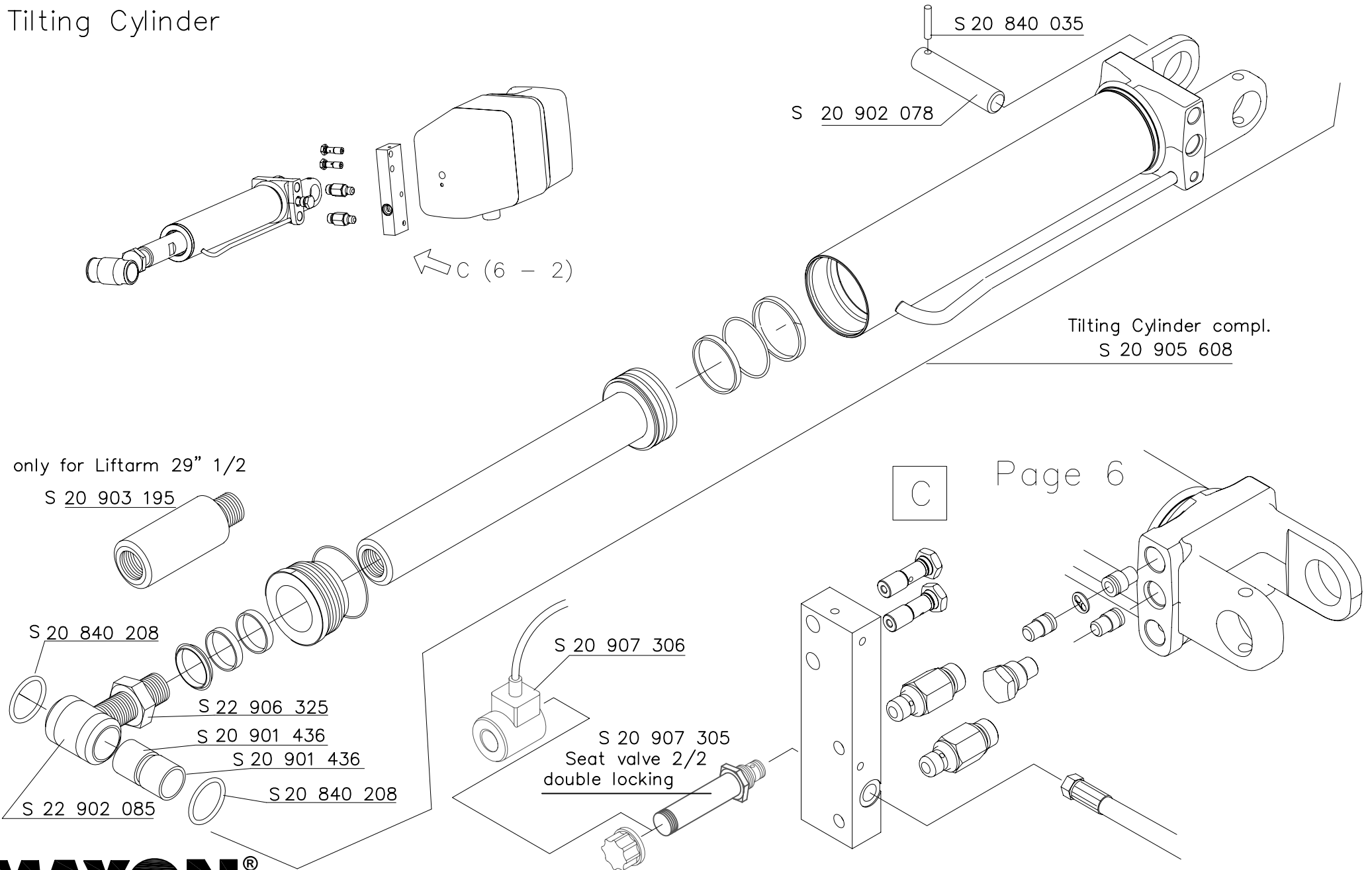
~~S 20 905 607~~

Replace by new Lifting Cylinder compl.

S 20 907 222



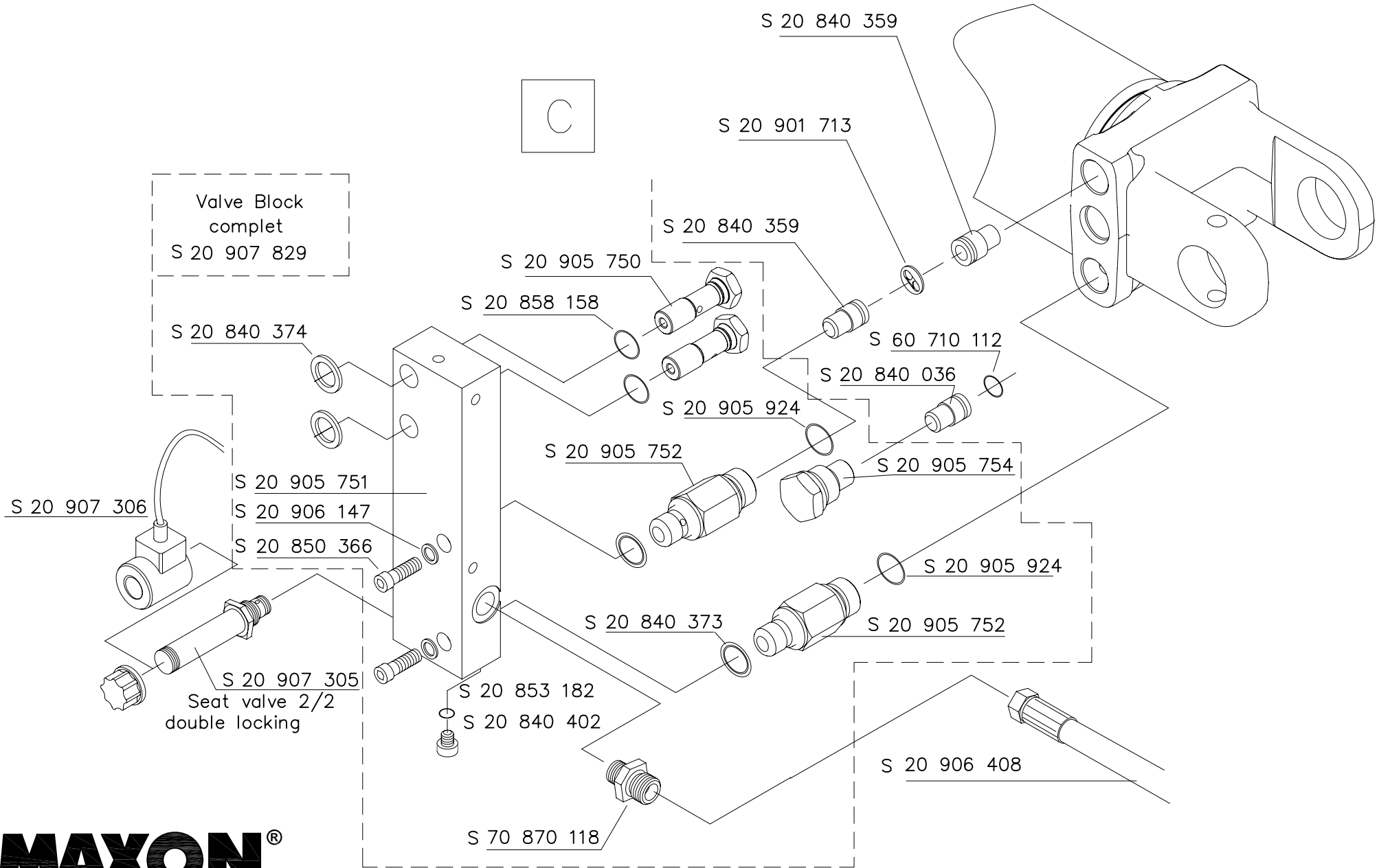
# Tilting Cylinder



**MAXON**®

GPC 22 X1

# Valve Block



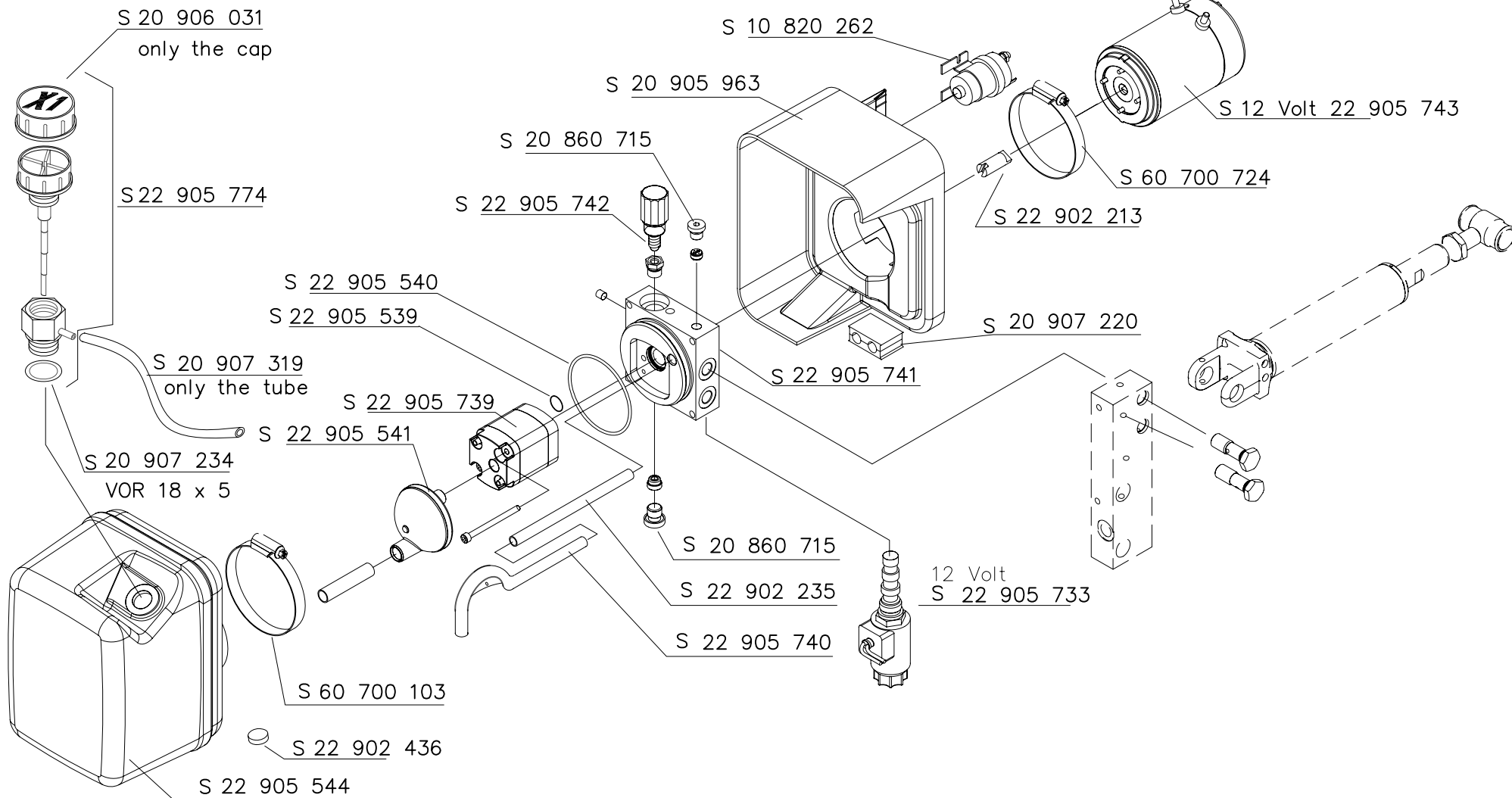
**MAXON®**

GPC 22 X1

old / new  
 Powerpack 20 906 868 / 20 906 479  
 fast-turn / slow-turn

Cover S 20 905 407  
 Label S 22 902 565

Ground Strap  
 S 20 840 152

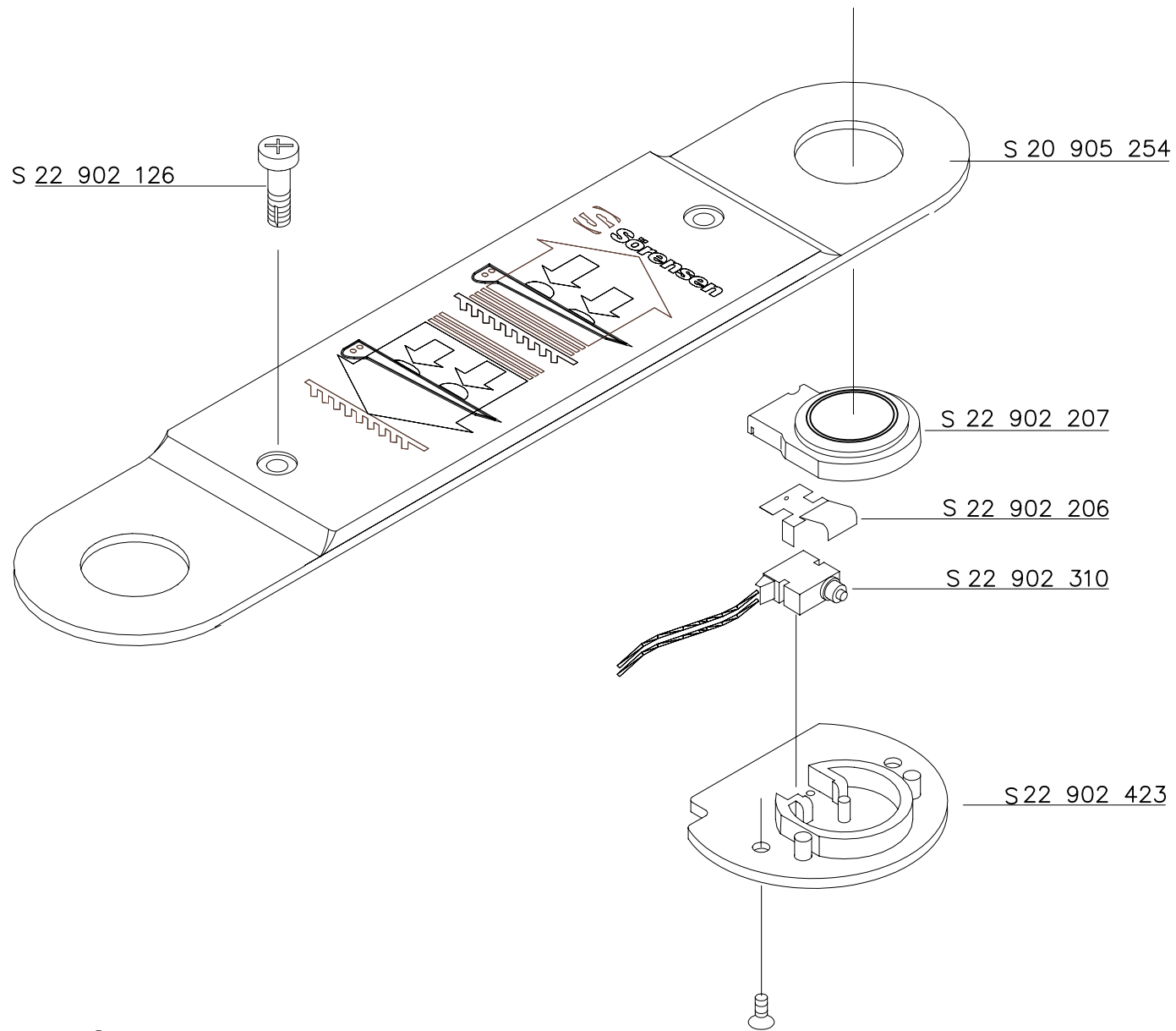


**MAXON**®

GPC 22 X1



# Option Footcontrol



**MAXON**®

**GPC 22 X1**

# Control unit

old ~~12 Volt S22 905 768~~  
~~12 Volt 20 906 863~~

replaced by  
 12 Volt S20 907 162  
 for 2 and 3 button  
 remote control

S 22 905 787  
 incl. screw

Key Switch complete  
 S 22 905 788

S 20 906 587

S 20 841 244

S 22 902 259

# Service Switch

S 20 904 939

S 20 905 435

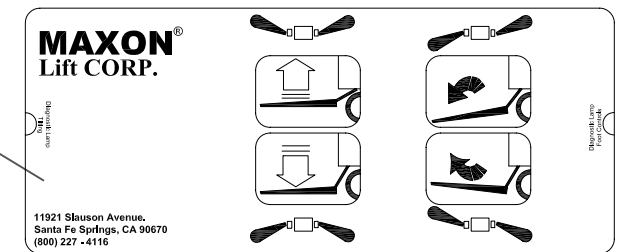
S 20 904 654

Hand control

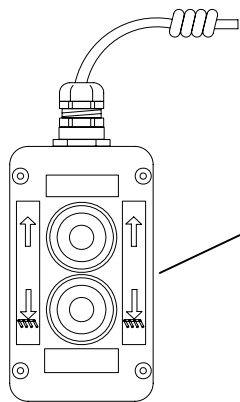
Power pack

Cylinder

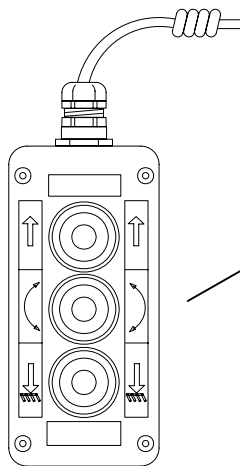
Platform



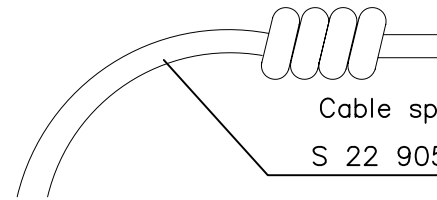
# Hand held control



Hand held control  
complete  
S 20 906 733

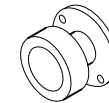


Hand held control  
complete  
S 20 907 200



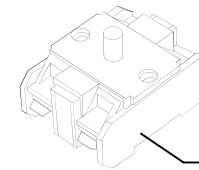
Cable spirale  
S 22 905 781

three and tow button



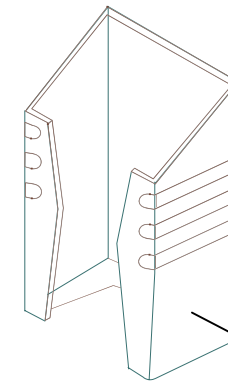
Push button

- White S 22 905 778
- Grey S 22 905 779
- Black S 22 905 780



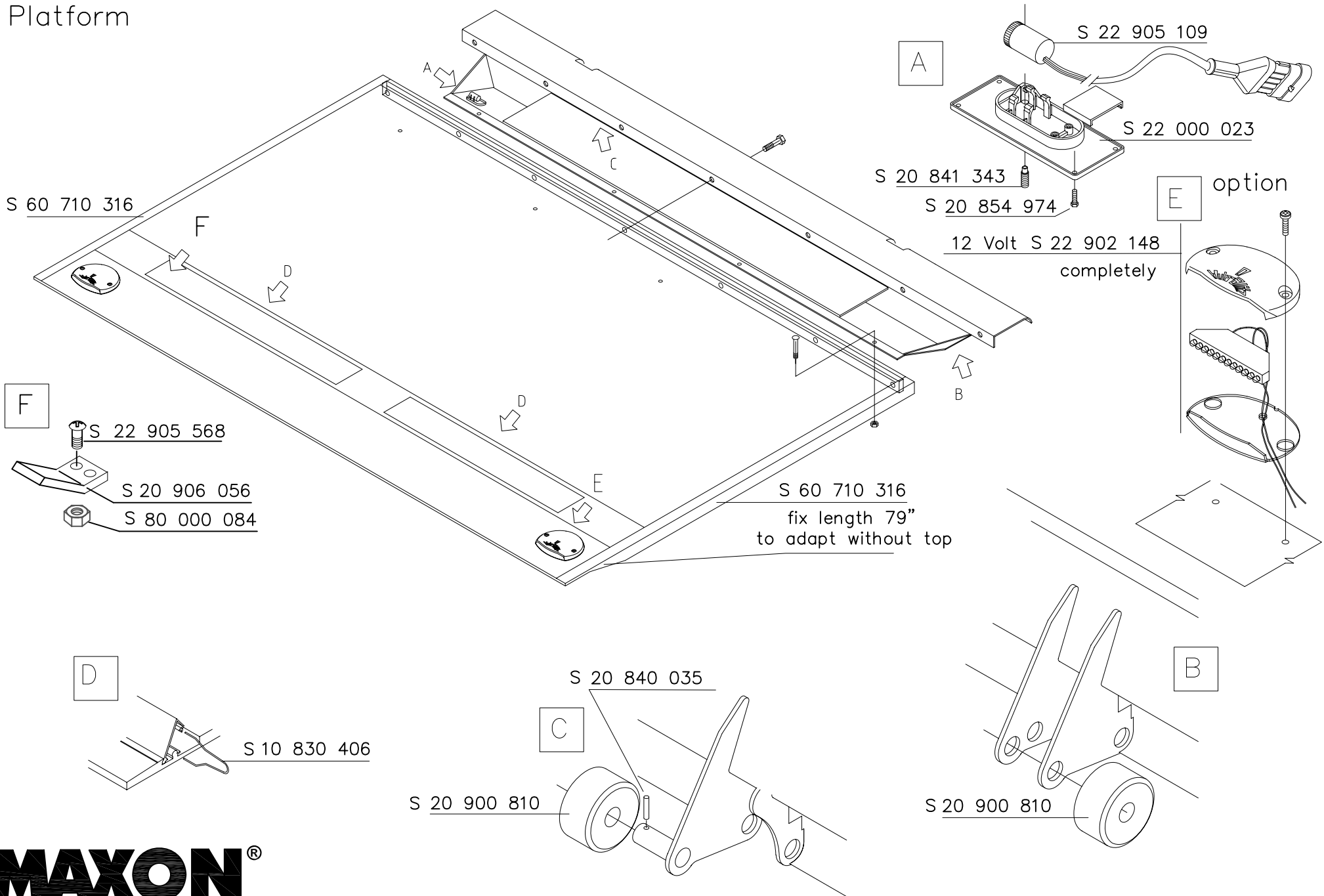
Contact

S 22 905 782



S 22 905 783

# Platform



**MAXON®**

GPC 22 X1

Page 1	S 80000023	HEXAGON HEAD SCREW	M10 X 20
Page 1	S 80000061	SPRING LOCK WASHER	A 10
Page 1	S 80000072	WASHER	U 10,5
Page 1	S 20903179	BOLT	35X125mm
Page 1	S 20903178	BOLT	35X130mm
Page 1	S 20840035	ROLL PIN	10 X 60 mm
Page 1	S 20901436	BEARING BUSH	35X40X50mm
Page 1	S 20904590	LIFTARM	X1A1000
Page 1	S 20840035	ROLL PIN	10 X 60 mm
Page 1	S 20902078	BOLT	35X105
Page 1	S 20903071	LIFTARM	X1 1000 Serie 4
Page 1	S 20904590	LIFTARM	X1A1000
Page 1	S 20905607	LIFT CYLINDER	X1-1000 SERIE 6
Page 1	S 20904459	SCREW	
Page 1	S 80000065	SPRING LOCK WASHER	A 20
Page 1	S 80000205	HEXAGON HEAD SCREW	M 16 X 45
Page 1	S 20906070	UNDERRUN BAR	X1-1000 Serie 6 HUB 750
Page 1	S 20905398	UNDERRUN BAR	X1-1000
Page 1	S 20900083	UNDERRUN BAR CAP	
Page 1	S 20904105	BOLT	30 X 100X-1 1000 light
Page 1	S 60700158	ROLL PIN	8 X 50 VZN
Page 2	S 20904459	SCREW	
Page 2	S 80000065	SPRING LOCK WASHER	A 20
Page 2	S 20900905	WASHER	20MM
Page 2	S 20900083	UNDERRUN BAR CAP	
Page 2	S 20905608	TILT CYLINDER	X1 1000
Page 2	S 20905398	UNDERRUN BAR	X1-1000
Page 2	S 20906070	UNDERRUN BAR	X1-1000 Serie 6 HUB 750
Page 2	S 20902078	BOLT	35X105
Page 2	S 20840035	ROLL PIN	10 X 60 mm
Page 2	S 20903070	TILT ARM	X1 1000 Serie 4
Page 2	S 20904594	TILT ARM	X1A1000
Page 2	S 20840035	ROLL PIN	10 X 60 mm
Page 2	S 20903178	BOLT	35X130mm
Page 2	S 20901436	BEARING BUSH	35X40X50mm
Page 2	S 20903350	ADJUSTING FORK	
Page 2	S 20850526	HEXAGON SOCKET HEAD CAP SCREW M 10X40	
Page 2	S 80000023	HEXAGON HEAD SCREW	M10 X 20
Page 2	S 80000061	SPRING LOCK WASHER	A 10
Page 2	S 80000072	WASHER	U 10,5
Page 2	S 20903179	BOLT	35X125mm
Page 2	S 20840208	O-RING	47.0X5.33 VITON
Page 3	S 20903178	BOLT	35X130mm
Page 3	S 20840035	ROLL PIN	10 X 60 mm
Page 3	S 20840117	O-RING	40.65 X 5.33 VITON
Page 3	S 20840504	BEARING BUSH	35X40X65 MM
Page 3	S 20840035	ROLL PIN	10 X 60 mm
Page 3	S 20902078	BOLT	35X105
Page 3	S 20906735	MAIN FRAME	

Page 3	S 20840504	BEARING BUSH	35X40X65 MM
Page 3	S 20906910	NUT	X1 1002-2002
Page 3	S 20907004		
Page 3	S 20840117	O-RING	40.65 X 5.33 VITON
Page 3	S 20840504	BEARING BUSH	35X40X65 MM
Page 3	S 20902880	HEXAGON HEAD SCREW	
Page 3	S 80000065	SPRING LOCK WASHER	A 20
Page 3	S 20902078	BOLT	35X105
Page 3	S 20903178	BOLT	35X130mm
Page 3	S 20907004	DISTANCE PLATE	
Page 3	S 20906963	WASHER	
Page 3	S 80000065	SPRING LOCK WASHER	A 20
Page 3	S 20907052	HEXAGON HEAD SCREW	
Page 3	S 20906725	CHASSIS BRACKET	
Page 3	S 20906726	CHASSIS BRACKET	
Page 3	S 20906853	GUIDE	
Page 4	S 60710276	PRESSURE SWITCH	SUCO 5 BAR
Page 4	S 20840377	SEAL RING	
Page 4	S 20840037	FLOW VALVE	1.8MM
Page 4	S 20901707	SOLENOID VALVE	12 VOLT
Page 4	S 20900988	SOLENOID VALVE	24 VOLT
Page 4	S 20906408	HOSE	3/8"X2000
Page 4	S 20840171	SEAL RING	24,00X16,7X1,5
Page 4	S 70870047	HYDRAULIC FITTING	GE12LR 3/8"
Page 4	S 22905634	SEALING SET	HUBZYLINDER
Page 4	S 20902078	BOLT	35X105
Page 4	S 20840035	ROLL PIN	10 X 60 mm
Page 4	S 20905607	LIFT CYLINDER	X1-1000 SERIE 6
Page 4	S 20904105	BOLT	30 X 100X-1 1000 light
Page 4	S 20840117	O-RING	40.65 X 5.33 VITON
Page 4	S 20840118	BEARING BUSH	30X35X50 mm
Page 5	S 20903195	ADAPTER	M33X1,5X(75)100
Page 5	S 20840208	O-RING	47.0X5.33 VITON
Page 5	S 20906890	RAM NUT	
Page 5	S 20904503	BEARING BUSH	46X40X19
Page 5	S 20903676	BEARING BUSH	46X40X40
Page 5	S 20840208	O-RING	47.0X5.33 VITON
Page 5	S 20902078	BOLT	35X105
Page 5	S 20840035	ROLL PIN	10 X 60 mm
Page 5	S 20905608	TILT CYLINDER	X1 1000
Page 5	S 20906408	HOSE	3/8"X2000
Page 6	S 20840374	SEAL RING	
Page 6	S 20905751	ADAPTER	X1 1000 Serie 6
Page 6	S 20906147	COUNTERSUNX SCREW	M8x50 DIN 7991 UH FZB
Page 6	S 20850366	HEXAGON SOCKET HEAD CAP SCREW M 10 X 20	
Page 6	S 20901707	SOLENOID VALVE	12 VOLT
Page 6	S 70870118	HYDRAULIC FITTING	GE 12LR 1/4"
Page 6	S 20906408	HOSE	3/8"X2000
Page 6	S 20840373	SEAL RING	USIT-RING

Page 6	S 20905752	CONNECTION	
Page 6	S 20905924	O-RING	Ö 17X2
Page 6	S 20905754	PLUG SCREW	M20X1,5
Page 6	S 20905752	CONNECTION	
Page 6	S 20840036	FLOW VALVE	2.0MM
Page 6	S 60710112	O-RING	11 X 2
Page 6	S 20858158	O-RING	Ö 11 X 2 MM
Page 6	S 20905750	HOLLOW SCREW	
Page 6	S 20840359	FLOW VALVE	1.3MM
Page 6	S 20901713	SPACER WASHER	
Page 6	S 20840359	FLOW VALVE	1.3MM
Page 7	S 20906868	POWERPACK	
Page 7	S 20906031	PROTECTIVE CAP	FUEL DIP STICK
Page 7	S 22905774	AIR CONTROL	FOR OIL TANK
Page 7	S 20907234	O-RING	VOR 18X5
Page 7	S 22905541	FILTER	
Page 7	S 22905739	HYDRAULIC GEAR PUMP	
Page 7	S 20907319	ROUND STEEL STAINLESS	PER DZM
Page 7	S 22905539	O-RING	25X22X1,5
Page 7	S 22905540	O-RING	80X74X3
Page 7	S 22905742	PRESSURE CONTROL VALVE	
Page 7	S 20860715	PLUG	1/4"
Page 7	S 20905963	ZWISCHENSTÜCK AGGREGAT	112 MM
Page 7	S 10820262	STARTER SOLONOID	12 VOLT
Page 7	S 20905407	COVER	HUBAKTUATOR
Page 7	S 22902565	LABEL	AGGREGATHAUBE
Page 7	S 20840152	GROUND STRAP	125 MM
Page 7	S 22905743	ELECTRO MOTOR	12 VOLT
Page 7	S 60700724	CABLE CLAMP	110/130/12
Page 7	S 22902213	CARRIER	40X14,75MM
Page 7	S 20907220	GROMMET	35QMM
Page 7	S 22905741	MOTORVENTILBLOCK	
Page 7	S 20860715	PLUG	1/4"
Page 7	S 22902235	RETURN	
Page 7	S 22905733	SOLENOID VALVE	12 VOLT
Page 7	S 22905740	SUCTION LINE	
Page 7	S 60710103	O-RING	12.42 X 1.78
Page 7	S 22902436	MAGNET	
Page 7	S 22905544	TANK	X1-1000 Serie 6
Page 8	S 22902126	THREADCUTTING SCREW	M 6X20 VZN
Page 8	S 20905254	FOOT CONTROL HOUSING	
Page 8	S 22902207	FOOTCONTROL RUBBER	
Page 8	S 22902206	SPRING	
Page 8	S 22902310	MICROSWITCH	
Page 8	S 22902423	PLADE MICROSWITCH	
Page 9	S 22905768	HAND CONTROL BOX	
Page 9	S 20906863	UNIT CONTROL	
Page 9	S 22905787	READ RELAIS	FÜR 22905788
Page 9	S 22905788	KEY SWITCH	KOMPLETT

Page 9	S 20906587	KEY	
Page 9	S 20841244	GASKET	KIPPSCHALTER
Page 9	S 22902259	CAP FOR JOYSTICK	
Page 9	S 20904654	CONTROLBOX	SIGNBOARD
Page 9	S 20905435	HOUSE	
Page 9	S 20904939	SERVICE-SWITCH	4-TASTER
Page 10	S 20907200	HANDHELD CONTROL	DREI-KNOPF
Page 10	S 20906733	HANDHELD CONTROL	HANDSTEUERBIRNE 2 - KNOPF
Page 10	S 22905781	HELIX CABLE	FÜR HANDSTEUERBIRNE
Page 10	S 22905778	PUSH BUTTON	WHITE
Page 10	S 22905779	PUSH BUTTON	GRAY
Page 10	S 22905780	PUSH BUTTON	BLACK
Page 10	S 22905782	CONTACT BLOCK	
Page 10	S 22905783	HOLDER	HANDSTEUERBIRNE
Page 11	S 60710316	SIDE RAIL	PER DZM.
Page 11	S 22905568	SCREW	M 8X20 ISO 7380
Page 11	S 80000084	LOCK NUT	M 8
Page 11	S 20906056	LEVER FOR CART STOP	ABROLLSICHERUNG
Page 11	S 10830406	SPRING	ABROLLSICHER
Page 11	S 20900810	GROUND ROLLER	80X46X35,2MM
Page 11	S 20840035	ROLL PIN	10 X 60 mm
Page 11	S 20900810	GROUND ROLLER	80X46X35,2MM
Page 11	S 60710316	SIDE RAIL	PER DZM.
Page 11	S 22902148	WARNING LIGHT	
Page 11	S 20854974	TAPTITE SCREW	M 3,9X19 mm TORX
Page 11	S 20841343	ADJUSTING SCREW	
Page 11	S 22000023	PLATFORM NAME PLATE	
Page 11	S 20905109	PLATFORM CABLE	WITH MERCURY SWITCH